

Printing Specification

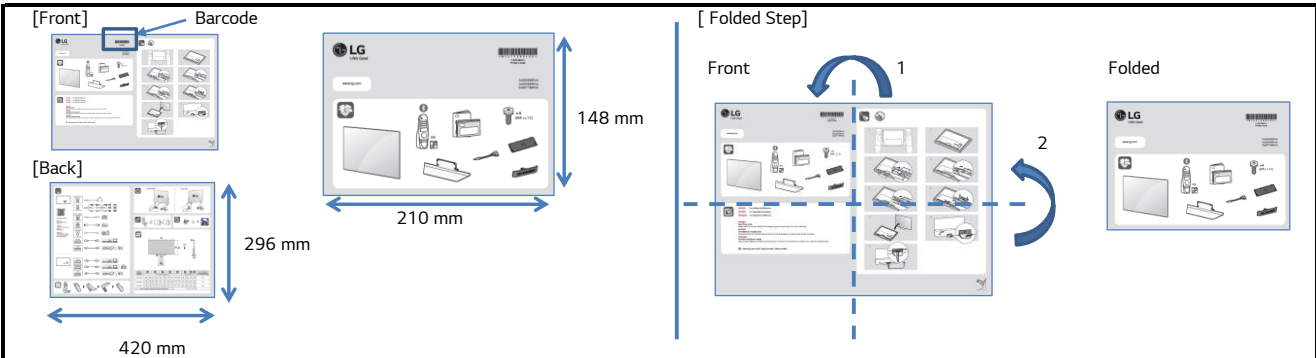
1. Model Description

Model/Item Name	: OLED55B9PUA	Brand name	: LG	Part number	: MFL71280402
Suffix	: US/CC/MM	Product	: B2C TV	(Revision number)	: (REV01)

2. Printing Specification

1. Trim size (Format) (W X H)	: 420 mm x 296 mm, Folded (210 mm x 148 mm)		
2. Printing colors	• Cover : 1 Color (Black)		
3. Stock (Paper)	• Cover : Uncoated, wood-free paper 80 g/m²		
4. Bindery	• Inside : Uncoated, wood-free paper 80 g/m²		
6. Language	: ENG/SPA_LA/FRE_CA(3)		
	• Inside	: 1 Color (Black)	
	5. Number of pages	: 8	

3. Pagination sheet



4. Origin Notification

<p>www.lg.com</p> <p>P/No : MFL69707613 (1708-REV03)</p> <p>Printed in Korea ← Changes the Country name.</p> <p>Copyright © 2017 LG Electronics Inc. All Rights Reserved. Printed in [Country Name]</p>	<p>[Country Name]</p> <p>LGERS/ LGEMX : Mexico</p> <p>LGEKR : Korea</p> <p>LGEMA : Poland</p> <p>LGEND : China</p> <p>Others : Each Country name.</p>
NOTE	<p>*This part contains Eco-hazardous substances (Pb, Cd, Hg, Cr6+, PBB, PBDE, etc.) within LG standard level.</p> <p>Details should be followed Eco-SCM management standard[LG(56)-A-2524].</p> <p>Especially, Part should be followed and controlled the following specification.</p> <p>(1) Eco-hazardous substances test report should be submitted when Part certification test and First Mass Production.</p> <p>(2) Especially, Don't use or contain lead(Pb) and cadmium(Cd) in ink.</p>

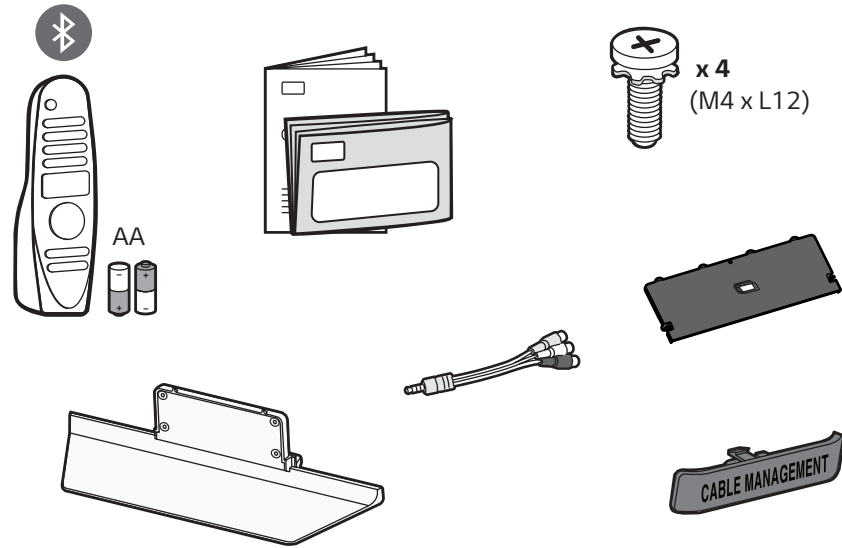
5. Changes

REV07				
REV06				
REV05				
REV04				
REV03				
REV02				
REV01	05/24/2019	Yujin. Choi	EKLJ400390	Added the model (OLED77B9*)
REV00	02/18/2019	Yujin. Choi		Checked : Mingyun. Kang
				Approved : Jongok. Kim
Rev. Number	MM/DD/YYYY	Signature	ECO Number	Change Contents



www.lg.com

OLED55B9PUA
OLED65B9PUA
OLED77B9PUA



ENGLISH Read **Safety and Reference**.
ESPAÑOL Leer **Seguridad y Consultas**.
FRANÇAIS Lisez **Sécurité et références**.

ENGLISH
Easy Setup Guide

Please read this manual carefully before operating your set and retain it for future reference.

ESPAÑOL
Guía Rápida de Configuración

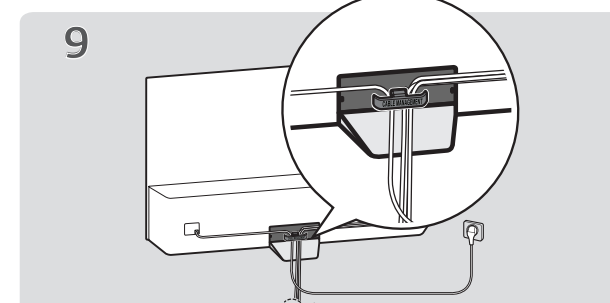
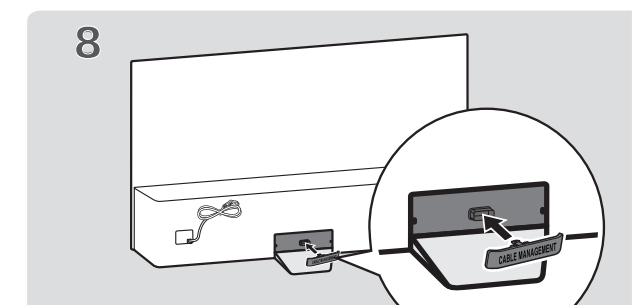
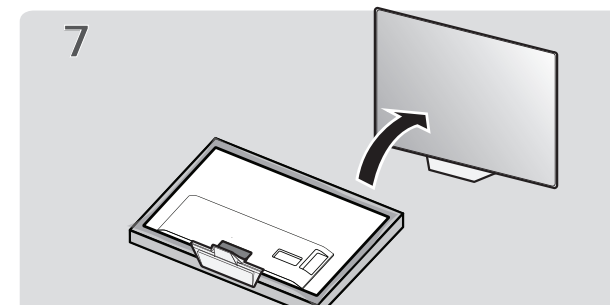
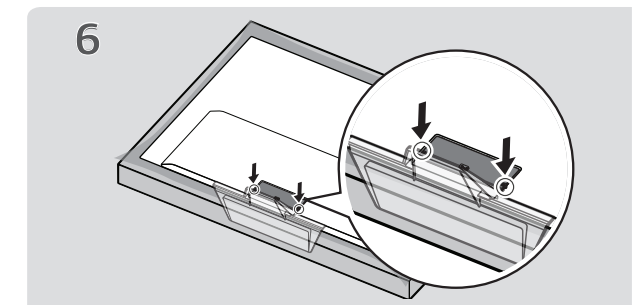
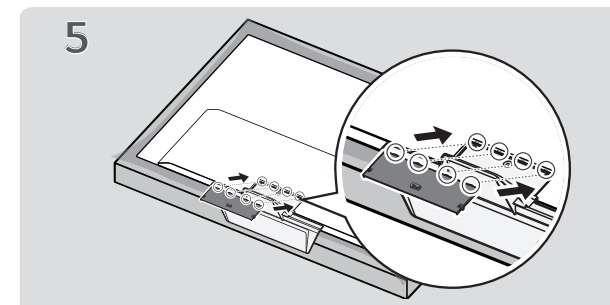
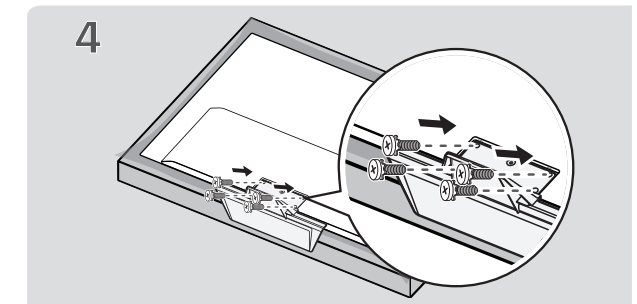
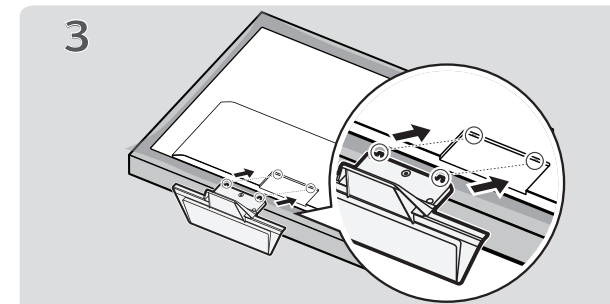
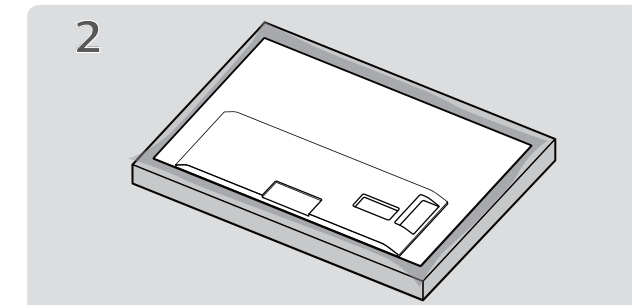
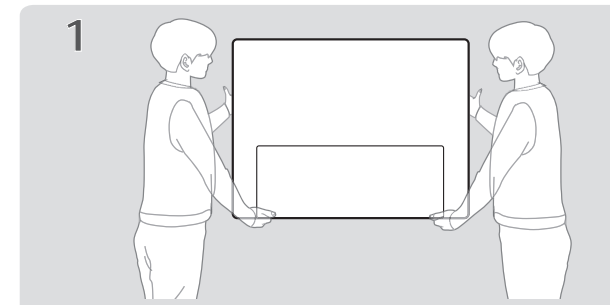
Lea atentamente este manual antes de poner en marcha el equipo y consérvelo para futuras consultas.

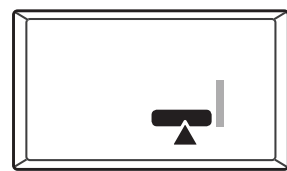
FRANÇAIS
Guide de configuration rapide

Guide de configuration rapide

Avant d'utiliser l'appareil, veuillez lire attentivement ce manuel et le conserver pour pouvoir vous y reporter ultérieurement.

⊕ : Depending upon model / Según el modelo / Selon le modèle



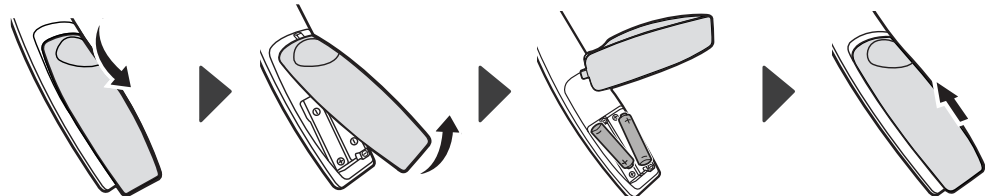
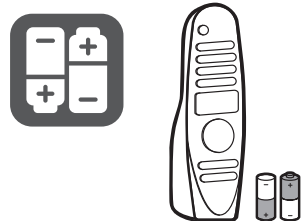
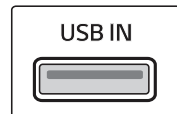
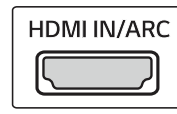
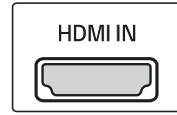
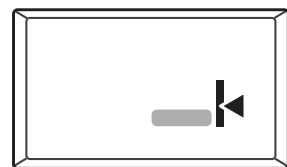
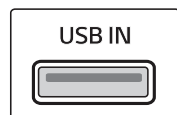
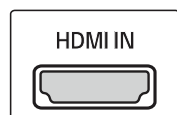
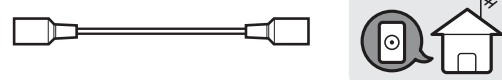
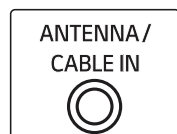
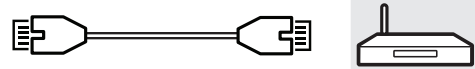
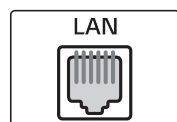
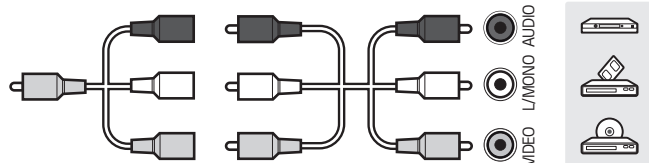
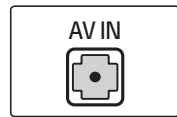
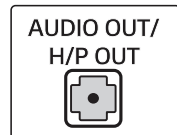


www.lg.com/us/support

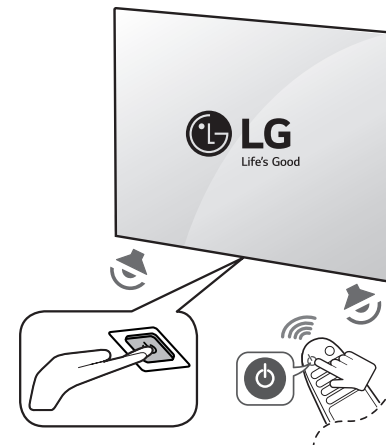
ENGLISH
Easy TV Connect Guide
(Animation)

ESPAÑOL
Guía Rápida de Conexión del
televisor
(Sólo en Inglés)

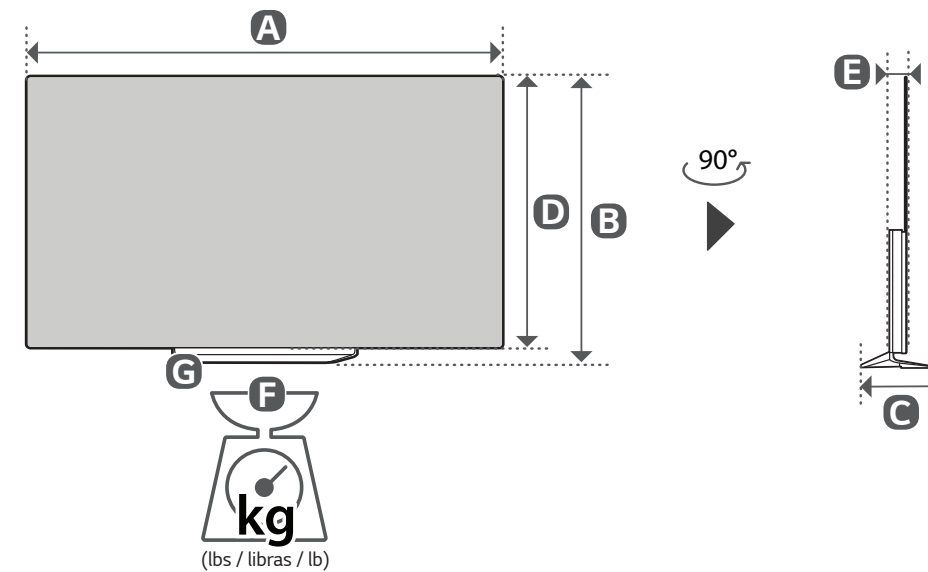
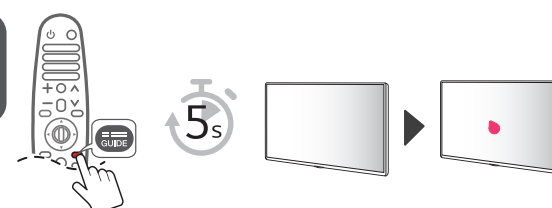
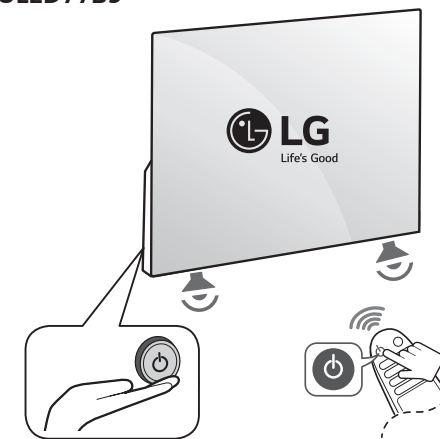
FRANÇAIS
Guide simplifié pour la con-
nexion du téléviseur (Offert
en anglais seulement)



OLED55/65B9*



OLED77B9*



MODELS / MODELOS / MODÈLES	A		B		C		D		E		F		F-G		Power consumption / Consumo de potencia / Consommation électrique
	mm (inches / pulgadas / po)														
														kg (lbs / libras / lb)	
OLED55B9PUA	1,228 (48.3)	1 228 (48,3)	744 (29.2)	744 (29,2)	246 (9.6)	246 (9,6)	706 (27.7)	706 (27,7)	46.9 (1.8)	46,9 (1,8)	19.9 (43.8)	19,9 (43,8)	18.9 (41.6)	18,9 (41,6)	352 W
OLED65B9PUA	1,449 (57.0)	1 449 (57,0)	869 (34.2)	869 (34,2)	246 (9.6)	246 (9,6)	830 (32.6)	830 (32,6)	46.9 (1.8)	46,9 (1,8)	26.2 (57.7)	26,2 (57,7)	25.2 (55.5)	25,2 (55,5)	472 W
OLED77B9PUA	1,723 (67.8)	1 723 (67,8)	1,043 (41.0)	1 043 (41,0)	270 (10.6)	270 (10,6)	992 (39)	992 (39)	55.3 (2.1)	55,3 (2,1)	30.0 (66.1)	30,0 (66,1)	26.7 (58.8)	26,7 (58,8)	650 W
Power requirement / Alimentación requerida / Alimentation										AC 120 V ~ 50 / 60 Hz					