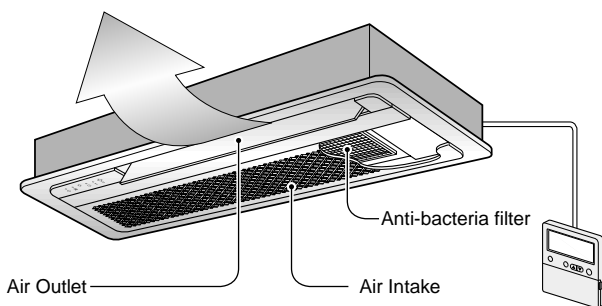


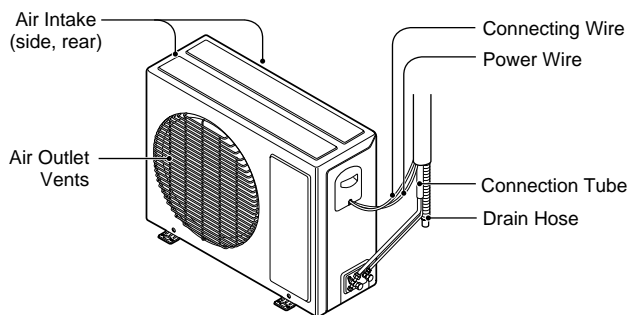
# CEILING CASSETTE TYPE AIR CONDITIONERS INSTALLATION INSTRUCTIONS

- Please read this instruction sheet completely before installing the product.
- When the power cord is damaged, replacement work should be performed by authorized personnel only.
- Installation work should be performed in accordance with national wiring standards by authorized personnel only.

## Indoor Unit



## Outdoor Unit



Cooling & Heating Model has  
included Drain Elbow

ENGLISH

ITALIANO

ESPAÑOL

FRANÇAIS

DEUTSCH

# OUT-LINE OF INSTALLATION

## 1.The following should be always observed for safety .....3

## 2.Installation of Indoor, Outdoor Unit.....4

Installation Works	Installation Parts	Required Tools
1) Selection of the best location .....4	• Connecting cable	• Level
2) Ceiling opening dimensions and hanging bolt location(unit: mm).....5	• Pipes: Gas side Liquid side	• Screw driver
3) The Indoor Unit Installation .....6	• Hanging Bolt (W 3/8 or M10 length 650mm)	• Electric drill
4) Remote Controller Installation .....6	• Insulated drain hose	• Hole core drill (ø70mm)
5) Wiring Connection.....8	• Additional Drain hose (Inner Dia.....32mm)	• Flaring Tools set
ELECTRICAL WIRING.....9		• Torque Wrenches
CONNECTING THE CABLE TO OUTDOOR UNIT .....9		• Hexagonal Wrench (4mm, 5mm)
6) Connecting Pipes to the Indoor Unit .....10		• Gas-leak detector
PIPING CONNECTION.....11		
7) Installation of Decorative Panel.....12		
8) Indoor Unit Drain Piping.....13		
HEAT INSULATION.....14		
FORM THE PIPINGS.....14		

## 3. Test running .....15



1) PRECAUTIONS IN TEST RUN .....15	
CHECK THE FOLLOWING ITEMS WHEN INSTALLATION IS COMPLETE .....15	
2) Connection of power supply.....16	• Owner's Manual
3) Evaluation of the performance .....16	• Thermometer

## 4. Auxiliary operation .....17

1) Two thermistor system .....17
2) Adjusting to the height of ceiling .....18
3) Group control (optional wiring).....19

# 1. The following should be always observed for safety

- Please report to or take consent by the supply authority before connecting to the system.
- Be sure to read "THE FOLLOWING SHOULD BE ALWAYS OBSERVED FOR SAFETY" before installing the air conditioner.
- Be sure to observe the cautions specified here as they include important items related to safety.
- The indications and meanings are as follows.

	<b>WARNING</b>	Could lead to death, serious injury, etc.
	<b>CAUTION</b>	Could lead to serious injury in particular environments when operated incorrectly.

- After reading this manual, be sure to keep it together with the instruction manual in a handy place .

## WARNING

### **Do not install it yourself (customer).**

- Incomplete installation could cause injury due to fire, electric shock, the unit falling or a leakage of water. Consult the dealer from whom you purchased the unit or special installer.

### **Install the unit securely in a place which can bear the weight of the unit.**

- When installed in an insufficient strong place, the unit could fall causing injured.

### **Use the specified wires to connect the indoor and the outdoor units securely and attach the wires firmly to the terminal board connecting sections so the stress of the wires is not applied to the sections.**

- Incomplete connecting and fixing could cause fire.

### **Check that the refrigerant gas do not leak after installation is completed.**

### **Perform the installation securely referring to the installation manual.**

- Incomplete installation could cause a personal injury due to fire, electric shock, the unit falling or a leakage of water.

### **Perform electrical work according to the installation manual and be sure to use an exclusive circuit.**

- If the capacity of the power circuit is insufficient or there is incomplete electrical work, it could result in a fire or an electric shock.

### **Attach the electrical part cover to the indoor unit and the service panel to the outdoor unit securely.**

- If the electrical part cover if the indoor unit and/or the service panel if the outdoor unit are not attached securely, it could result in a fire or electric shock due to dust, water, etc.

### **Be sure to use the part provided or specified parts for the installation work.**

- The use of defective parts could cause an injury or leakage of water due to a fire, electric shock, the unit falling, etc.

## CAUTION

### **Perform grounding**

- Do not connect the ground wire to a gas pipe, water pipe arrester or telephone ground wire. Defective grounding could cause an electric shock.

### **Do not install the unit in a place where an inflammable gas leaks.**

- If gas leaks and accumulates in the area surrounding the unit, it could cause an explosion.

### **Perform the drainage/piping work securely according to the installation manual.**

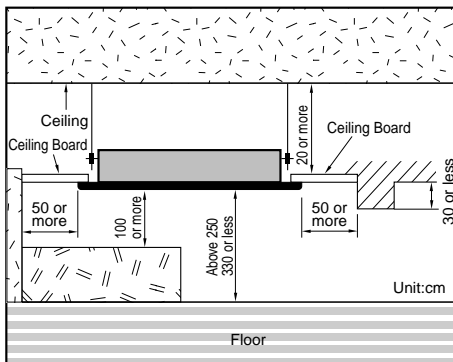
- If there is a defect in the drainage/piping work, water could drop from the unit and household goods could be wet and damaged.

## 2. Installation of Indoor, Outdoor Unit

### 1. Selection of the best location

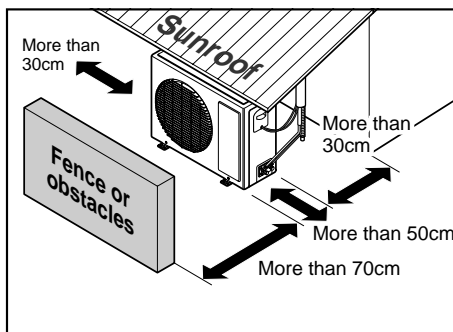
#### 1) Indoor unit

- There should not be any heat source or steam near the unit.
- There should not be any obstacles to prevent the air circulation.
- A place where air circulation in the room will be good.
- A place where drainage can be easily obtained.
- A place where noise prevention is taken into consideration.
- Do not install the unit near the door way.
- Ensure the spaces indicated by arrows from the wall, ceiling, or other obstacles.
- The indoor unit must keep the maintenance space.



#### 2) Outdoor unit

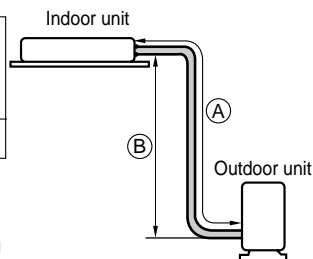
- If an awning is built over the unit to prevent direct sunlight or rain exposure, be careful that heat radiation from the condenser is not restricted.
- There should not be any animals or plants which could be affected by hot air discharged.
- Ensure the spaces indicated by arrows from the wall, ceiling, fence or other obstacles.



#### 3) Piping length and the elevation

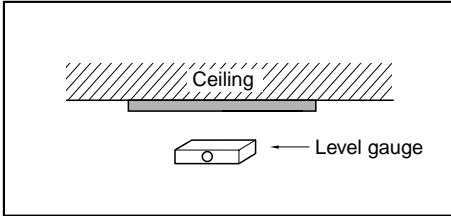
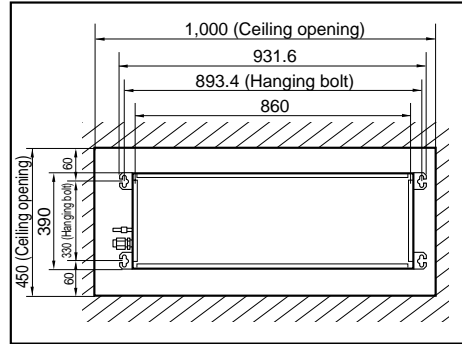
CAPACITY	Pipe Size		Length(A)(m)		Elevation(B)(m)		* Additional refrigerant (g/m)
	GAS	LIQUID	Rated	Max.	Rated	Max.	
12K Btu/h	1/2"	1/4"	7.5	15	5	7	30

- Rated performance for refrigerant line length of: 7.5m
- If 12K Model is installed at a distance of 15m, 225g of refrigerant should be added .....(15-7.5)x30g



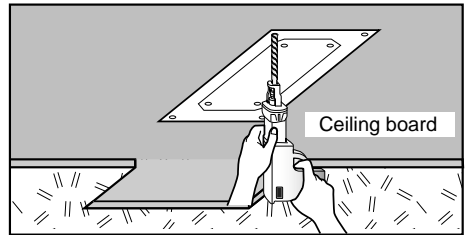
## 2. Ceiling opening dimensions and hanging bolt location

- The dimensions of the paper model for installing are the same as those of the ceiling opening dimensions.



### CAUTION

- This air-conditioner uses a drain pump.
- Horizontally install the unit using a level gauge.
- During the installation, care should be taken not to damage electric wires.



- Select and mark the position for fixing bolts and piping hole.
- Decide the position for fixing bolts slightly tilted to the drain direction after considering the direction of drain hose.
- Drill the hole for anchor bolt on the wall.

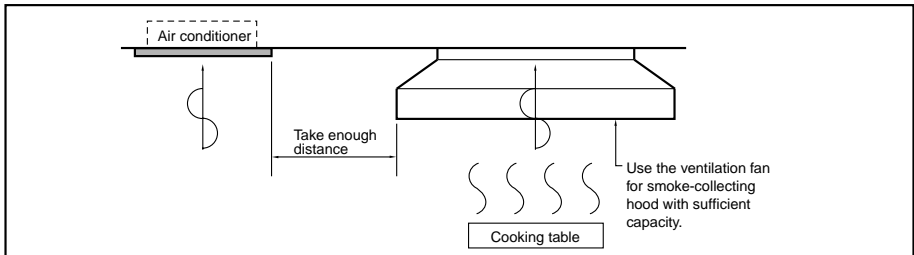
### NOTE:

- Thoroughly study the following installation locations:

1. In such places as restaurants and kitchens, considerable amount of oil steam and flour adhere to the turbo fan, the fin of the heat exchanger and the drain pump, resulting in heat exchange reduction, spraying, dispersing of water drops, drain pump malfunction, etc.

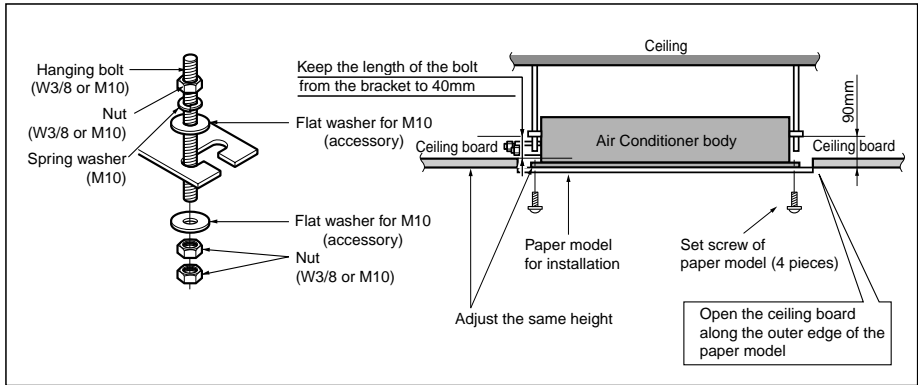
In these cases, take the following actions:

- Make sure that the ventilation fan for smoke-collecting hood on a cooking table has sufficient capacity so that it draws oily steam which should not flow into the suction of the air conditioner.
- Make enough distance from a cooking room to install the air conditioner in such a place where it may not suck in oily steam.



2. Avoid installing air conditioner in such circumstances where cutting oil mist or iron powder is in suspension in factories, etc.
3. Avoid places where inflammable gas is generated, flows in, is stored or vented.
4. Avoid places where sulfurous acid gas or corrosive gas is generated.
5. Avoid places near high frequency generators.

### 3. The Indoor Unit Installation

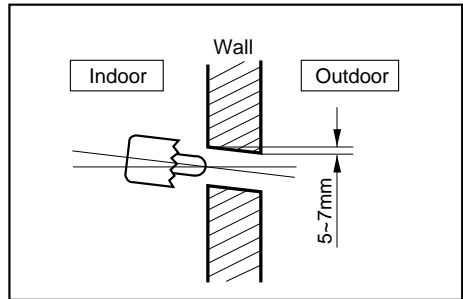


- The following parts is option.
- ① Hanging Bolt - W 3/8 or M10
- ② Nut - W 3/8 or M10
- ③ Spring Washer - M10
- ④ Plate Washer - M10

- Drill the piping hole on the wall slightly tilted to the outdoor side using a  $\varnothing 70$  hole-core drill.

**CAUTION**

- Tighten the nut and bolt to prevent unit falling.



### 4. Remote Controller Installation

- Although the room temperature sensor is in the indoor unit, the remote controller should be installed in such places away from direct sunlight and high humidity.

#### Installation of the remote controller

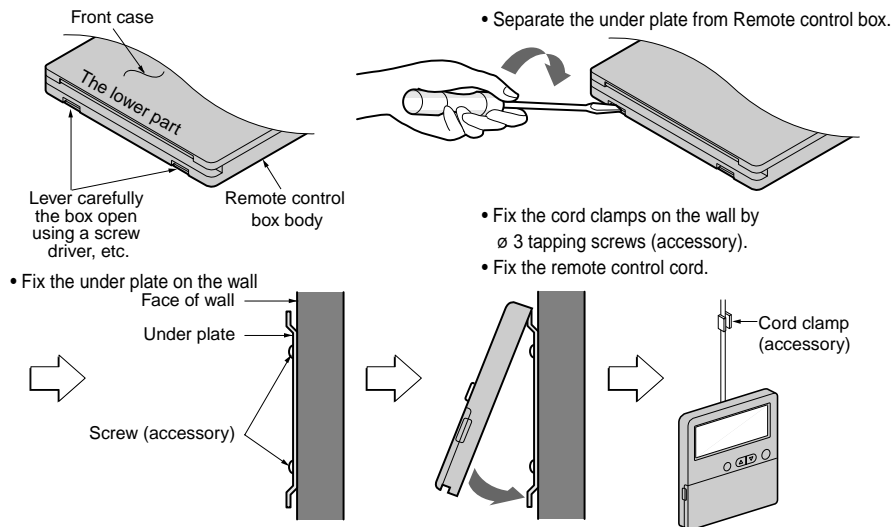
- Select places that are not splashed with water.
- Select control position after receiving customer approval.
- The room temperature sensor is built in the indoor unit.
- This remote controller equipped with liquid crystal display. If this position is higher or lower, display is difficult to see. (The standard height is 1.2 ~ 1.5m high)

#### Routing of the remote controller cord

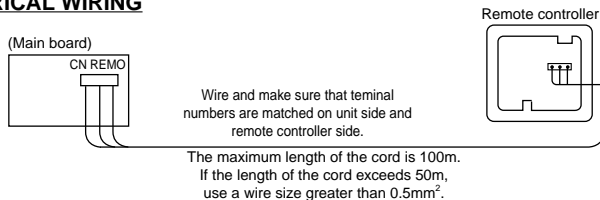
- Keep the remote controller cord away from the refrigerant piping and the drain piping.
- To protect the remote controller cord from electrical noise, place the cord at least 5cm away from other power cables (audio equipment, television set, etc.)
- If the remote controller cord is secured to the wall, provide a trap at the top of the cord to prevent water droplets from running.

## WIRED REMOTE CONTROL INSTALLATION

### DISASSEMBLING

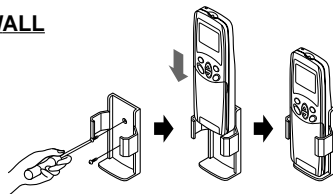


### ELECTRICAL WIRING



## REMOTE CONTROL PREPARATION(OPTIONAL)

### HOW TO MOUNT ONTO A WALL



### HOW TO INSERT BATTERIES

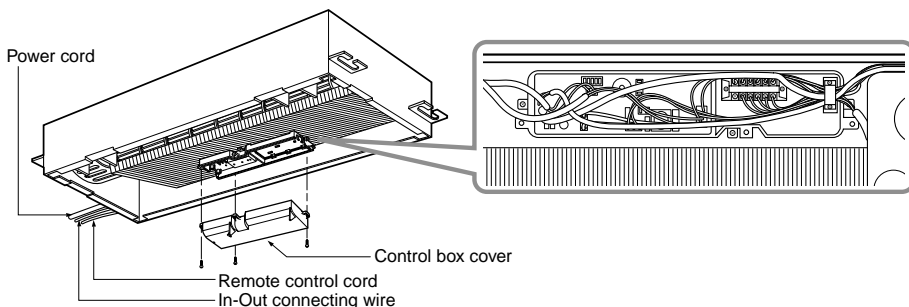
- Remove the battery cover from the remote controller.
  - Slide the cover according to the arrow direction.
- Insert the two batteries.
  - Be sure that the (+) and (-) directions are correct.
  - Be sure that both batteries are new.
- Re-attach the cover.
  - Slide it back into position.



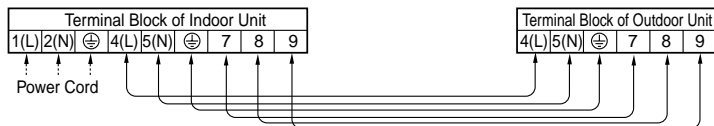
- Do not use rechargeable batteries, such batteries differ from standard dry cells in shape, dimensions, and performance.
- Remove the batteries from the remote controller if the air conditioner is not going to be used for some long time.

## 5. Wiring Connection

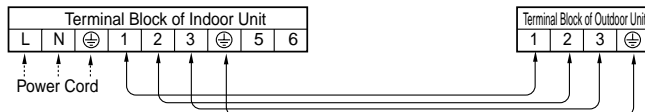
- Open the control box cover and connect the Remote controller cord and Indoor power wires.



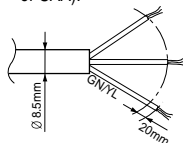
### • Heat Pump Model



### • Cooling Model



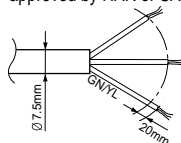
The power cord connected to the outdoor unit should be complied with the following specifications (Rubber insulation, type H05RN-F approved by HAR or SAA).



**NORMAL  
CROSS-SECTIONAL  
AREA 2.5mm<sup>2</sup>**

### CAUTION

The connecting cable connected to the indoor and outdoor unit should be complied with the following specifications (Rubber insulation, type H05RN-F approved by HAR or SAA).



**NORMAL  
CROSS-SECTIONAL  
AREA 0.75mm<sup>2</sup>**

If the supply cord is damaged, it must be replaced by a special cord or assembly available from the manufacturer or its service agent.

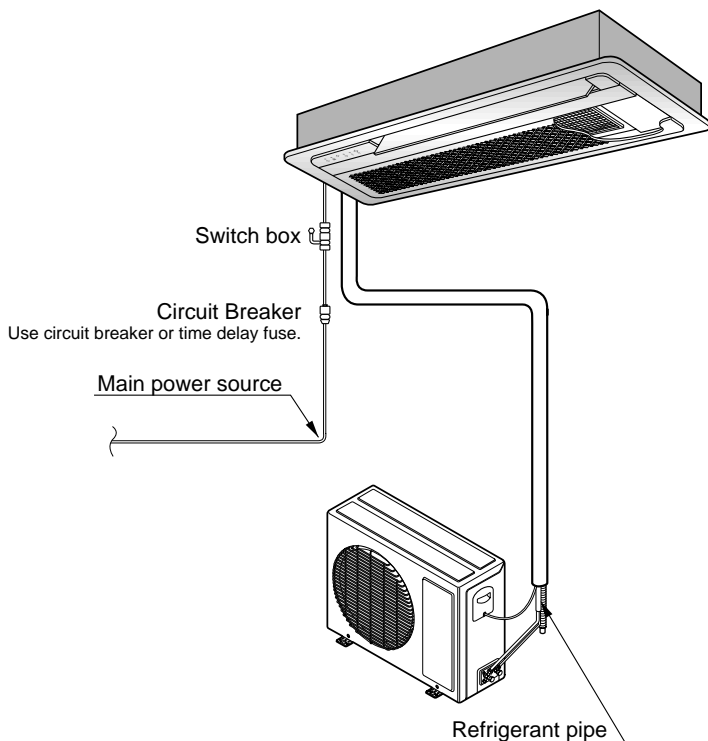
### **WARNING**

Make sure that the screws of the terminal are free from looseness.



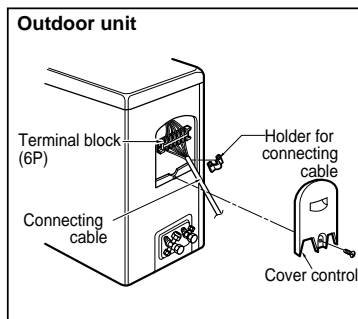
## ELECTRICAL WIRING

1. All wiring must comply with LOCAL REGULATIONS.
2. Select a power source that is capable of supplying the current required by the air conditioner.
3. Feed the power source to the unit via a distribution switch board designed for this purpose.
4. The terminal screws inside the control box may be loose due to vibration during transport.  
Check the screws for loose connection.  
(Running the air conditioner with loose connection can overload and damage electrical components.)
5. Always ground the air conditioner with a grounding wire and connector to meet the LOCAL REGULATION.



## CONNECTING THE CABLE TO OUTDOOR UNIT

1. Remove the Cover control from the unit by loosening a screw.  
Connect the wires to the terminals on the control board individually as following.
2. Secure the cable onto the control board with the holder (clammer).
3. Refix the cover control to the original position with the screw.
4. Use a recognized circuit breaker 20A between the power source and the unit. A disconnection device to adequately disconnect all supply lines must be fitted.



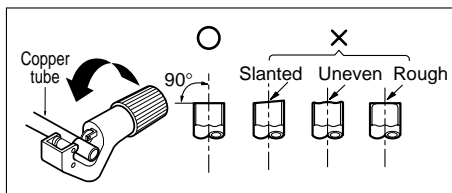
## 6. Connecting Pipes to the Indoor Unit

### • Preparation of Piping

Main cause of gas leakage is defect in flaring work. Carry out correct flaring work in the following procedure.

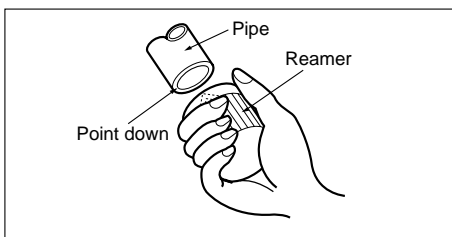
#### 1) Cut the pipes and the cable.

- Use the accessory piping kit or the pipes purchased locally.
- Measure the distance between the indoor and the outdoor unit.
- Cut the pipes a little longer than measured distance.
- Cut the cable 1.5m longer than the pipe length.



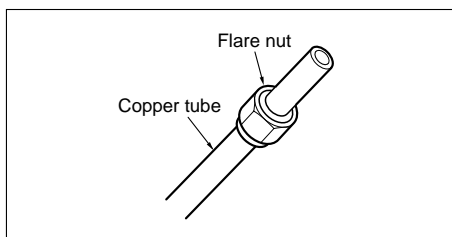
#### 2) Burrs removal

- Completely remove all burrs from the cut cross section of pipe/tube.
- Put the end of the copper tube/pipe to downward direction as you remove burrs in order to avoid to let burrs drop in the tubing.



#### 3) Putting nut on

- Remove flare nuts attached to indoor and outdoor units, then put them on pipe/tube having completed burr removal. (Not possible to put them on after flaring work)

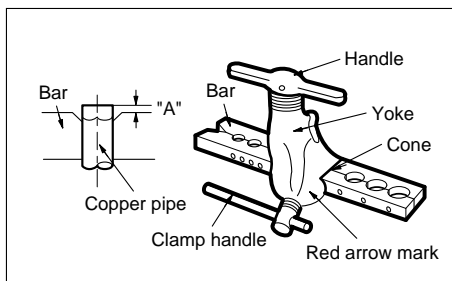


#### 4) Flaring work

- Carry out flaring work using flaring tool as shown below.

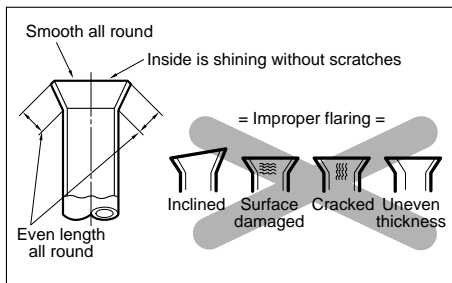
Outside diameter		A
mm	inch	mm
Ø6.35	1/4	0.5~0.8
Ø12.7	1/2	0.8~1.0

Firmly hold copper tube in a bar (or die) as indicated dimension in the table above.



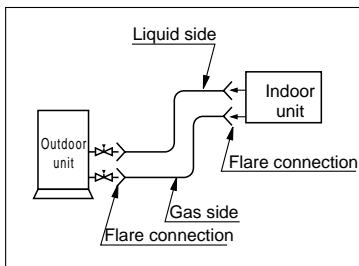
#### 5) Check

- Compare the flared work with figure below.
- If flare is noted to be defective, cut off the flared section and do flaring work again.



## Piping Connection

1. Form the piping according to its routing. Avoid bending and bending back the same piping point more than three times. (This will result in hardening the pipe.)
2. After deforming the piping, align centers of the union fitting of the indoor unit and the piping, and tighten them firmly with wrenches.
3. Connect pipe to the service valve or ball valve which is located below the outdoor unit.
4. After completing the piping connection, be sure to check if there is gas leakage in indoor and outdoor connection.



## Vacuum drying

After completing the piping connection, execute vacuum drying for the connecting piping and the indoor unit.

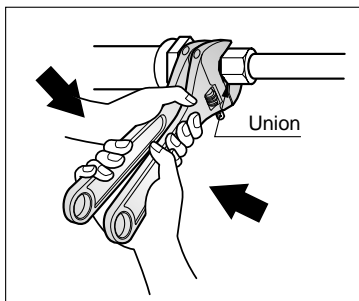
The vacuum drying must be carried out using the service ports of both the liquid and gas side valves.

Model	Liquid side piping	Gas side piping
12K Btu/h	Ø 6.35mm	Ø12.7mm

### CAUTION

Use two wrenches and tighten with regular torque.


Flare nut fastening torque	
Ø6.35mm	1.8kg·m
Ø9.52mm	4.0kg·m
Ø12.7mm	5.5kg·m

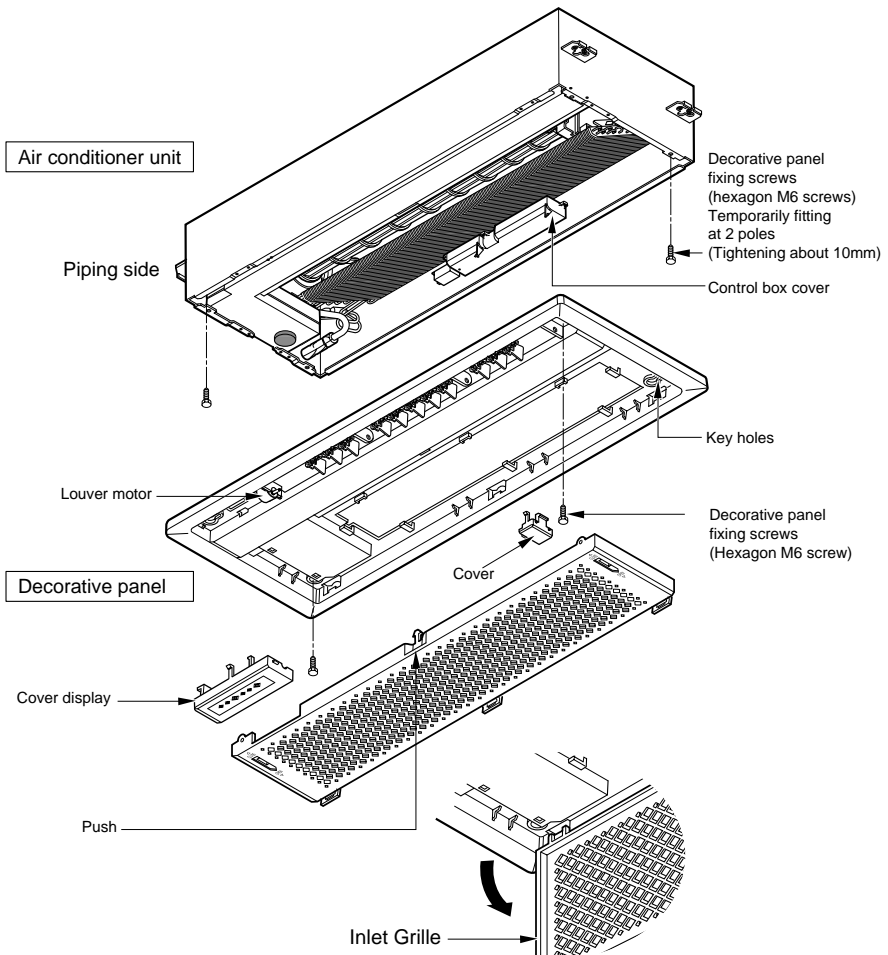


## 7. Installation of Decorative Panel

The decorative panel has its installation direction.

Before installing the decorative panel, always remove the paper template.

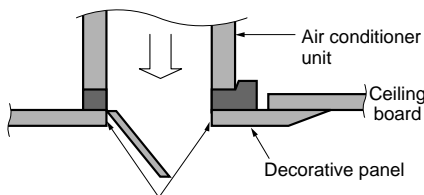
1. Temporarily fix two decorative panel fixing screws (hexagon M6 screw) on the unit body. (Tighten by amount 10mm in length.)  
The fixing screws (hexagon M6 screw) are included the Indoor unit box.
2. Remove the air inlet grille from the decorative panel. (Remove the hook for the air inlet grille cord.)
3. Hook the decorative panel key hole (  ) on the screws fixed in step above, and slide the panel so that the screws reach the key hole edge.
4. Retighten completely two temporarily fixed screws and other two screws. (Total 4 screws)
5. Connect the louver motor connector and display connector and room temp. thermistor connector.
6. After tightening these screws, install the air inlet grille (including the air filter) and push middle point of inlet grille.
7. Assemble the cover display and the cover.



**CAUTION**

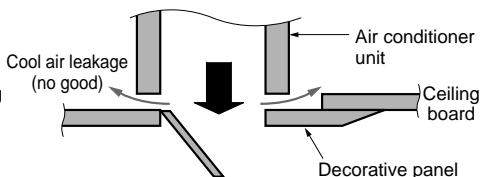
Install certainly the decorative panel.  
Cool air leakage causes sweating. ⇨ Water drops fall.

Good example



Fit the insulator (this part) and be careful for cool air leakage

Bad example

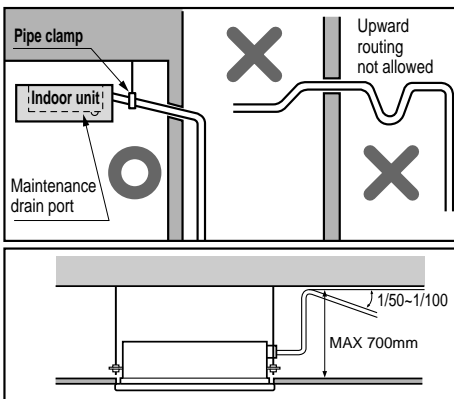


## 8. Indoor Unit Drain Piping

- Drain piping must have down-slope (1/50 to 1/100): be sure not to provide up-and-down slope to prevent reversal flow.
- During drain piping connection, be careful not to exert extra force on the drain port on the indoor unit.
- The outside diameter of the drain connection on the indoor unit is 32mm.

Piping material: Polyvinyl chloride pipe VP-25 and pipe fittings

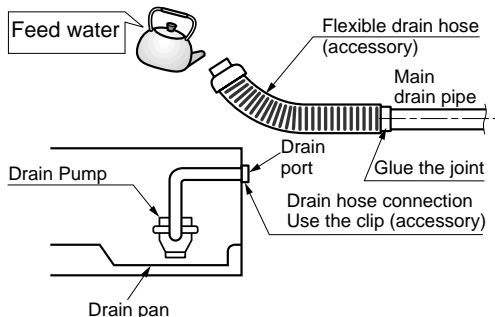
- Be sure to execute heat insulation on the drain piping.



Heat insulation material: Polyethylene foam with thickness more than 8 mm.

**Drain test**

The air conditioner uses a drain pump to drain water.  
Use the following procedure to test the drain pump operation:



- Connect the main drain pipe to the exterior and leave it provisionally until the test comes to an end.
- Feed water to the flexible drain hose and check the piping for leakage.
- Be sure to check the drain pump for normal operating and noise when electrical wiring is complete.
- When the test is complete, connect the flexible drain hose to the drain port on the indoor unit.

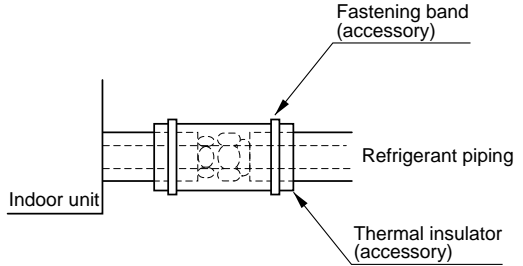
## HEAT INSULATION

1. Use the heat insulation material for the refrigerant piping which has an excellent heat-resistance (over 120°C).

2. Precautions in high humidity circumstance:

This air conditioner has been tested according to the "KS Standard Conditions with Mist" and confirmed that there is not any default. However, if it is operated for a long time in high humid atmosphere (dew point temperature: more than 23°C), water drops are liable to fall. In this case, add heat insulation material according to the following procedure:

- Heat insulation material to be prepared... Adiabatic glass wool with thickness 10 to 20mm.
- Stick glass wool on all air conditioners that are located in ceiling atmosphere.
- In addition to the normal heat insulation (thickness: more than 8mm) for refrigerant piping (gas piping: thick piping) and drain piping, add further 10mm to 30mm thickness material.



## FORM THE PIPINGS

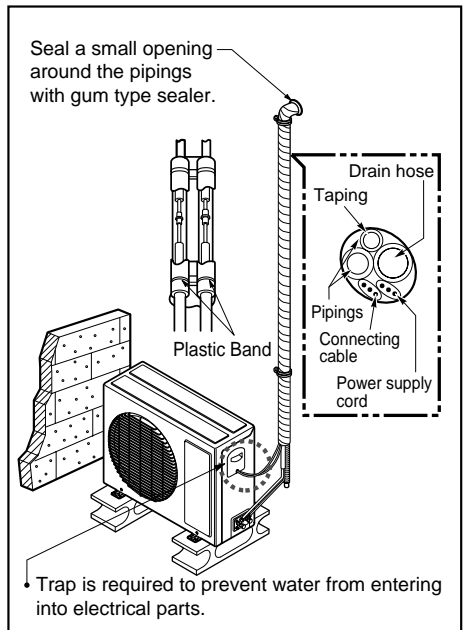
**1. Wrap the connecting portion of indoor unit with the Insulation material and secure it with two Plastic Bands. (for the right pipings)**

- If you want to connect an additional drain hose, the end of the drain-outlet should keep distance from the ground. (Do not dip it into water, and fix it on the wall to avoid swinging in the wind.)

**In case of the Outdoor unit being installed below position of the Indoor unit.**

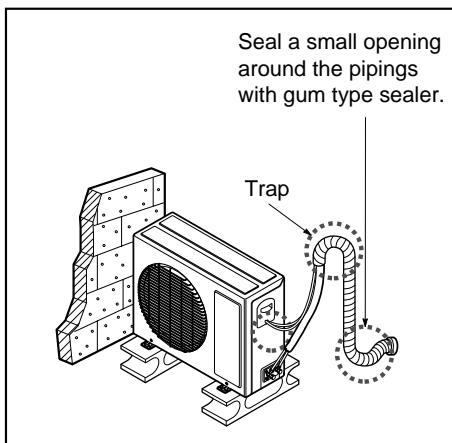
**2. Tape the Pipings, drain hose and Connecting Cable from bottom to top.**

**3. Form the pipings gathered by taping along the exterior wall and fix it onto the wall by saddle or equivalent.**



In case of the Outdoor Unit being installed above position of the Indoor Unit.

2. Tape the Pipings and Connecting cable from bottom to top.
3. Form the pipings gathered by taping along the exterior wall, and make the trap prevent water from entering into the room.
4. Fix the pipings onto the wall by saddle or equivalent.



### 3. Test running

#### 1) PRECAUTIONS IN TEST RUN

- The initial power supply must provide at least 90% of the rated voltage. Otherwise, the air conditioner should not be operated.

**Caution**

- ① For test run, carry out the cooling operation firstly even during heating season. If heating operation is carried out firstly, it leads to the trouble of compressor. Then attention must be paid.
- ② Carry out the test run more than 5 minutes without fail.  
(Test run will be cancelled 18 minutes later automatically)

- The test run is started by pressing the room temperature checking button and down timer button for 3 seconds at the same time.
- To cancel the test run, press any button.

#### CHECK THE FOLLOWING ITEMS WHEN INSTALLATION IS COMPLETE

- After completing work, be sure to measure and record trial run properties, and store measured data, etc.
- Measuring items are room temperature, outside temperature, suction temperature, blow out temperature, wind velocity, wind volume, voltage, current, presence of abnormal vibration and noise, operating pressure, piping temperature, compressive pressure.
- As to the structure and appearance, check following items.

- |  |  |
|--|--|
| <input type="checkbox"/> Is the circulation of air adequate?                             | <input type="checkbox"/> Is the remote controller switch operated? |
| <input type="checkbox"/> Is the draining smooth?   | <input type="checkbox"/> Is there any faulty wiring?               |
| <input type="checkbox"/> Is the heat insulation complete (refrigerant and drain piping)? | <input type="checkbox"/> Are not terminal screws loosened?         |
| <input type="checkbox"/> Is there any leakage of refrigerant?                            |  |

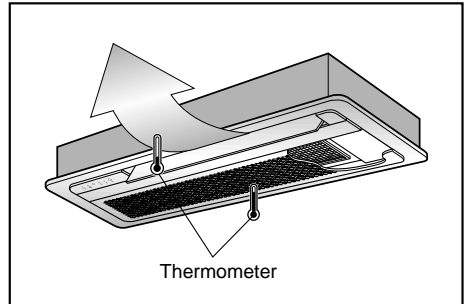
M4.....118N·cm{12kgf·cm}    M5.....196N·cm{20kgf·cm}  
M6.....245N·cm{25kgf·cm}    M8.....588N·cm{60kgf·cm}

## 2) Connection of power supply

1. Connect the power supply cord to the independent power supply.
  - Circuit breaker is required.
2. Operate the unit for fifteen minutes or more.

## 3) Evaluation of the performance

1. Measure the temperature of the intake and discharge air.
2. Ensure the difference between the intake temperature and the discharge one is more than 8°C (Cooling) or reversely(Heating).



### CAUTION

After the confirmation of the above conditions, prepare the wiring as follows:

- 1) **Never fail to have an individual power specialized for the air conditioner. As for the method of wiring, be guided by the circuit diagram pasted on the inside of control box cover.**
- 2) **Provide a circuit breaker switch between power source and the unit.**
- 3) **The screw which fasten the wiring in the casing of electrical fittings are liable to come loose from vibrations to which the unit is subjected during the course of transportation. Check them and make sure that they are all tightly fastened. (If they are loose, it could give rise to burn-out of the wires.)**
- 4) **Specification of power source**
- 5) **Confirm that electrical capacity is sufficient.**
- 6) **Be sure that the starting voltage is maintained at more than 90 percent of the rated voltage marked on the name plate.**
- 7) **Confirm that the cable thickness is as specified in the power sources specification.  
(Particularly note the relation between cable length and thickness.)**
- 8) **Never fail to equip a leakage breaker where it is wet or moist.**
- 9) **The following troubles would be caused by voltage drop-down.**
  - Vibration of a magnetic switch, damage on the contact point there of, fuse breaking, disturbance to the normal function of a overload protection device.
  - Proper starting power is not given to the compressor.

## HAND OVER

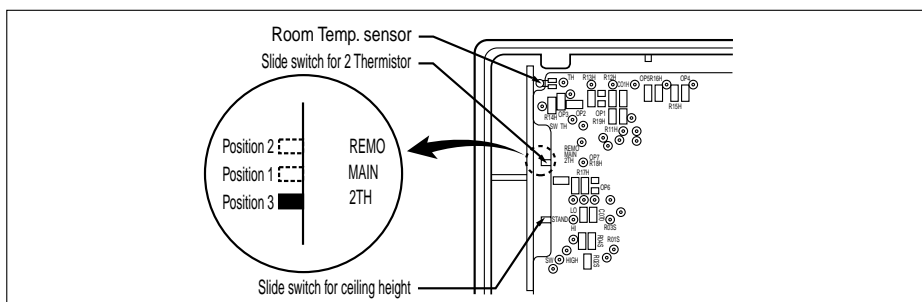
Teach the customer the operation and maintenance procedures, using the operation manual (air filter cleaning, temperature control, etc.).



## 4. Optional Operation

### 1) Two Thermistor System

- (1) Open the rear cover of the wired remote-controller to set the mode.
- (2) Select one of three selectable modes as follows.
  - Position 1:  
The room temperature is controlled by the thermistor of the main body.
  - Position 2:  
The room temperature is controlled by the thermistor of the wired remote-controller, control the temperature according to the position of wired remote-controller.
  - Position 3:  
The room temperature is controlled by lower temperature between the temperature of main body and of remote-controller sensor.
- (3) Move the slide switch to set position.



- (4) Close the rear cover and check if it works normally.

#### **CAUTION**

- Select the position after counselling with a customer.
- In case of cooling mode, room temperature is controlled by the main body sensor.
- To control the room temperature by a wired remote controller, install controller(room temp. sensor) to sense the temperature more accurately.
- Manufactured in the position 3.

## 2) Adjusting air volume to the height of ceiling

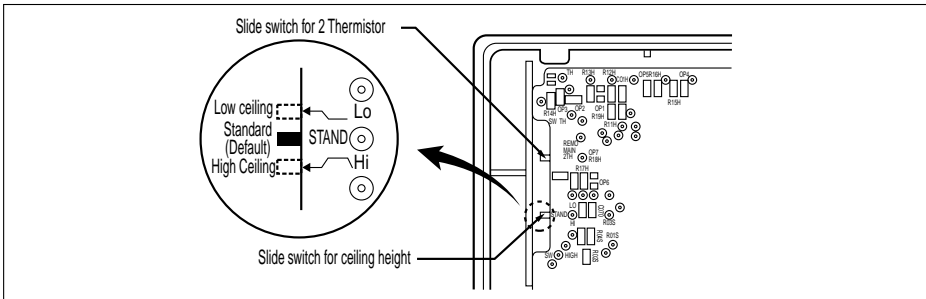
You can choose the RPM(or air volume) of indoor motor according to the height of ceiling to supply the comfortable atmosphere to consumers.

### Procedure

1. Choose the selectable position in the table after measuring the height of ceiling.

Ceiling height	Mode of slide switch	Change of air volume	Remark
more than 3.0m	High Ceiling	Increasing	Manufactured in standard mode
2.4~3.0m	Standard	-	
less than 2.4m	Low Ceiling	Decreasing	

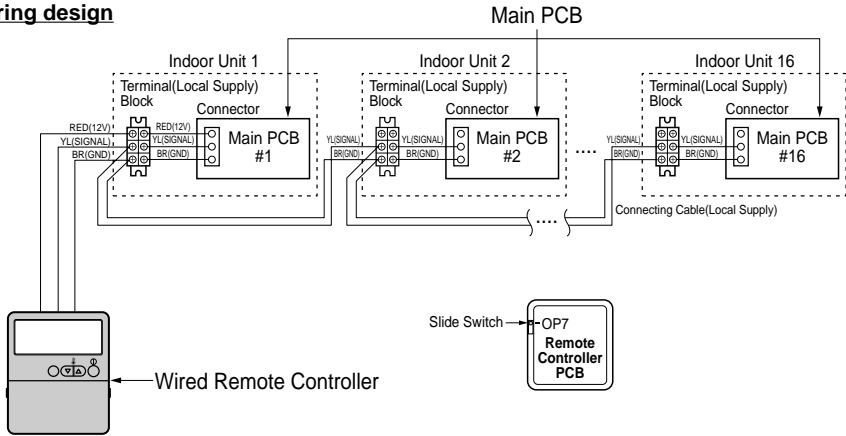
2. In the case of changing the height as "high" or "low", open the rear cover of the wired remote-controller.
3. Move the slide switch to the set position.



### 3) Group Control(Optional Wiring)

- You can use a group control operation after connecting the brown and yellow wire of each air-conditioner.
- Remove the resistor "OP 7" in remote controller.
- It operates maximum 16 Units by only one Wired Remote Controller, and each Unit starts sequentially to prevent overcurrent.

#### Wiring design



#### Features

- Use Only One Wired Remote Controller with several air conditioners(max. 16 Units)
- Random starting to prevent overcurrent.

#### CAUTION

- Be careful not to exchange the color of wires.
- The maximum length of connecting wire should be below 200m(25Ω) on connecting each units.
- Use a wire more than 0.5mm<sup>2</sup>

# Memo