

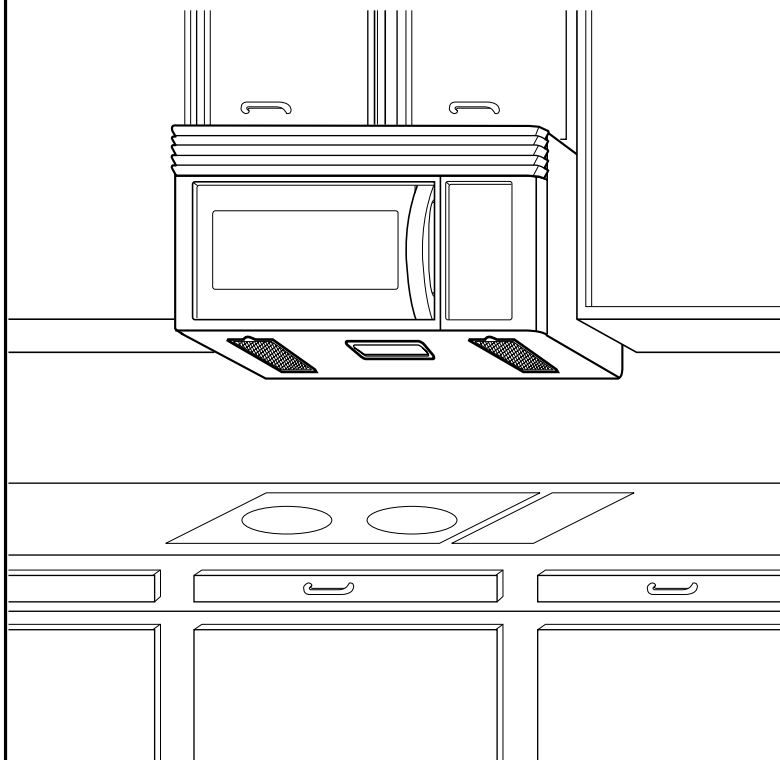
**SEARS**

**INSTALLATION  
INSTRUCTION  
MANUAL**

**MODEL No.  
85410  
85413  
85419**

Read and save these  
installation instructions.

**INSTALLATION  
INSTRUCTIONS**



**MICROWAVE OVEN**

\*Sold by Sears Canada Inc.

Printed in Korea

Part No. 3828W5U0348

SEARS. CANADA INC., TORONTO. M5B 2B8

# YOUR SAFETY FIRST

## BEFORE YOU START

- **Proper installation is the installer's responsibility!**

- Read the entire manual before you begin. The Model number label is located on the oven front. See Figure 1. Mounting plate is located on back side of microwave oven. See Figure 2.

## BE SURE TO READ THE FOLLOWING SAFETY INSTRUCTIONS:

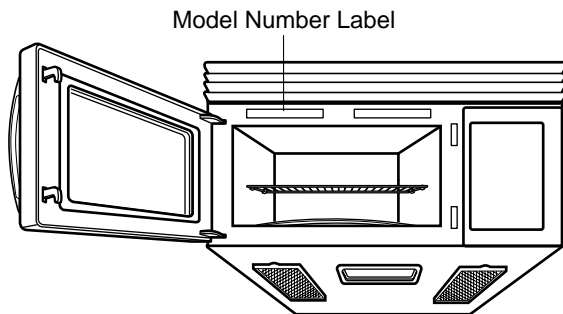


Figure 1

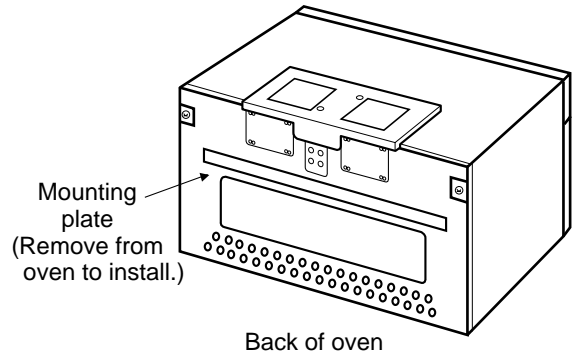


Figure 2



## FOR YOUR SAFETY:

- You will need TWO people to install this oven. It is heavy and could cause personal injury if not handled properly. The dimensions of the oven are as follows:

Height : 16 7/16 inches  
Width : 29 15/16 inches  
Depth : 15 3/8 inches  
Weight : 52 pounds

- **Avoid Electrical Shock!**

- Before you drill into the wall, note where electrical outlets are and where electrical wires might be behind concealed the wall, **YOU COULD GET AN ELECTRIC SHOCK** if you contact electrical wires with your drill bit.
- Locate and disconnect the power of any electrical circuits that could be affected by installing this oven. **IF YOU DO NOT DISCONNECT THE POWER, YOU COULD GET AN ELECTRIC SHOCK.**

- **ELECTRICAL RATING OF THIS OVEN : 120V AC. 60Hz.**

13 Amps / 1500 Watts (Microwave oven + Cooktop Lamp + Ventilation Fan)

- You need a 120V, 60Hz, AC only, 15A or 20A, fused electrical supply (located in the cabinet above the microwave as close as possible to the microwave circuit) serving only the microwave.

# YOUR SAFETY FIRST

## ● THIS APPLIANCE MUST BE GROUNDED!

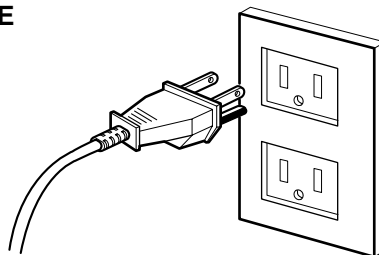
– If there is an electrical short circuit, grounding reduces the risk of electrical shock by providing an escape wire for the electric current. This appliance is equipped with a cord having a grounding wire with a grounding plug.

- Place the plug into a properly installed and grounded outlet. See Figure 3.
- Do not use an extension cord.
- Keep the power cord dry and do not pinch or crush it.

## ● DO NOT, UNDER ANY CIRCUMSTANCES, REMOVE THE POWER SUPPLY CORD GROUNDING PRONG!

This appliance **MUST** be grounded!

PROPERLY POLARIZED AND GROUNDED OUTLET



Three-Pronged (Grounding) plug

Figure 3



**WARNING**

**If you use the grounding plug improperly, you risk electric shock!**

– Check with a qualified electrician if you are not sure whether the oven is properly grounded or if you do not completely understand the grounding instructions.

DO NOT USE A FUSE IN THE NEUTRAL OR GROUNDING CIRCUIT.



**WARNING**

**Improper grounding could result in electric shock or other personal injury.**

SAVE THESE INSTRUCTIONS FOR THE LOCAL ELECTRICAL INSPECTOR'S USE.

## ● DO NOT EXPOSE YOURSELF TO EXCESSIVE MICROWAVE ENERGY!

- DO NOT try to operate the microwave oven with the door open.
- DO NOT tamper with or defeat the safety interlocks.
- DO NOT place objects between the microwave oven front face and the door.
- DO NOT allow soil or cleaner residue to build up on the flat surfaces around the microwave oven door.
- DO NOT operate the microwave oven if it is damaged.
- The microwave oven door must close properly to operate safely.
- DO NOT USE THE MICROWAVE OVEN:

- If the door is bent.
- If the hinges or latches are broken or loose.
- If the door seals, sealing surfaces or glass is broken.

– DO NOT ATTEMPT TO ADJUST OR REPAIR THE OVEN YOURSELF!

It should be adjusted and repaired by a qualified technician who can check for microwave leakage after repairing the oven.



**WARNING**

**If you do not use the microwave oven as instructed, you could be exposed to excessive microwave energy.**

# YOUR SAFETY FIRST

## ● MAKE SURE YOU HAVE ENOUGH SPACE AND SUPPORT.

- Mount the oven against a flat, vertical wall, so that it is supported by the wall. The wall should be constructed of minimum 2" x 4" wood studing and 3/8" thick drywall or plaster/lath.
- ATTACH AT LEAST ONE of the two lag screws supporting the oven to a vertical, 2" x 4" wall stud.
- DO NOT mount the microwave oven to an island or peninsula cabinet.
- BE SURE the upper cabinet and rear wall structures are able to support 150 lbs., plus the weight of any items you place inside the oven or upper cabinet.
- Locate the oven away from strong draft areas, such as windows, doors, and strong heating vents.
- BE SURE you have enough space. See Figure 4 below for minimum vertical and horizontal clearance.



## WARNING



If you do not mount the oven as instructed,  
you risk personal injury and/or property damage.

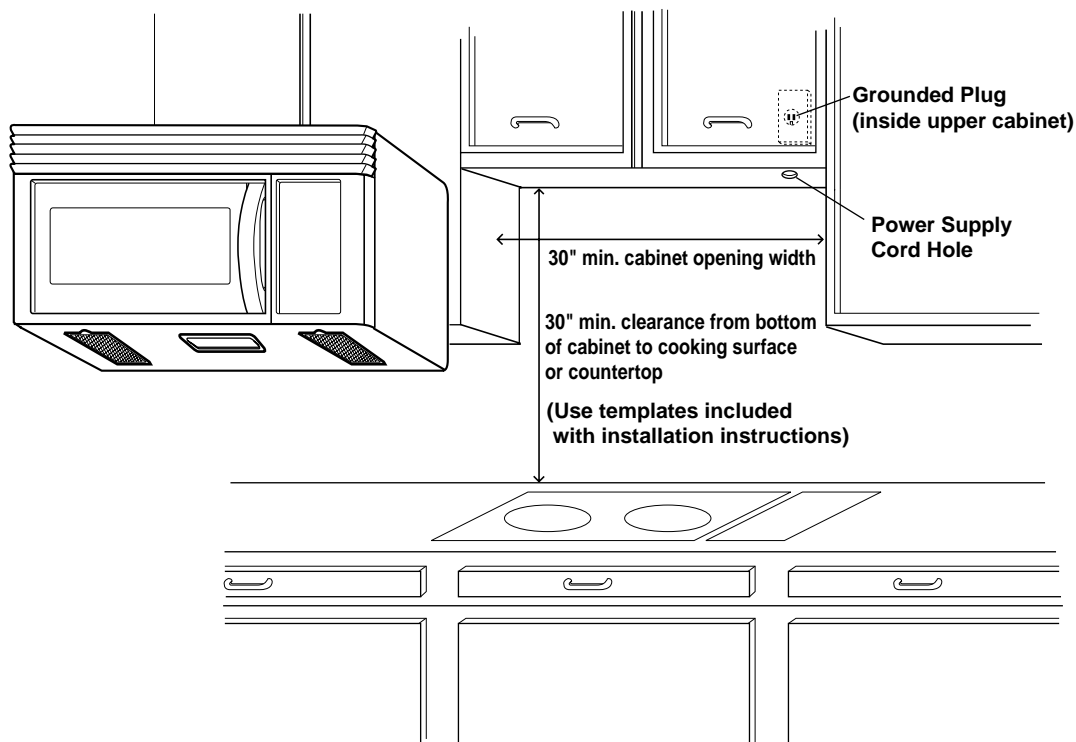


Figure 4

## CAUTION

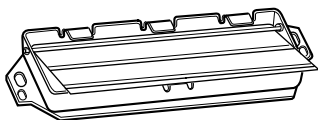
- Before you begin installing the oven, PLACE A PIECE OF THE CARTON OR OTHER HEAVY MATERIAL (a blanket) over the countertop or cooktop to protect it. **Do not use a plastic cover.** Failure to protect these surfaces could result in property damage.

# PARTS, TOOLS, MATERIALS

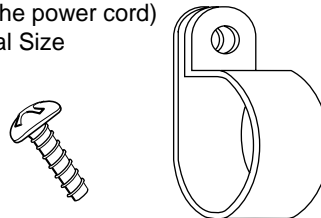
## THE FOLLOWING PARTS ARE SUPPLIED WITH THE OVEN:

NOTE: Depending on your ventilation requirements, you may not use all of these parts.

**Damper/duct connector**  
(for roof-venting or wall-venting installation)  
Not Actual Size



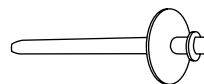
**One power cord clamp and  
One dark-colored mounting screw**  
(to hold the power cord)  
Actual Size



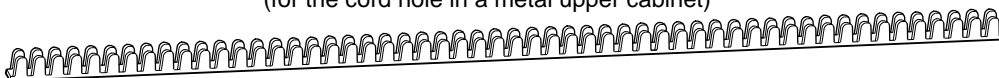
**Two tapping screws** - Actual Size  
(for attaching the damper duct connector)



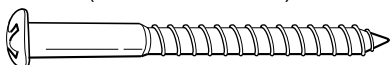
**One lock pin and one washer**-Not Actual size



**One power cord clamp bushing** - Actual Size  
(for the cord hole in a metal upper cabinet)



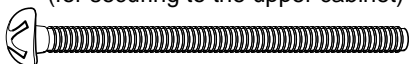
**Four 1/4" x 2" lag screws** - Actual Size  
(for wall stud holes)



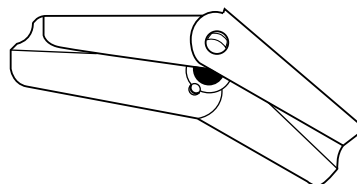
**Four 1/4" x 3" toggle bolts** - Actual Size  
(for drywall holes)



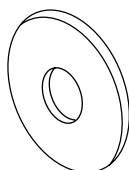
**Two 1/4" x 2" bolts** - Actual Size  
(for securing to the upper cabinet)



**Four spring toggle heads** - Actual Size  
(for the toggle bolts)



**Two washers** - Actual Size  
(for the two upper cabinet bolts)



NOTE: You need to install at least one lag screw into a 2" x 4" stud and four anchor bolts into the wall and the mounting area must meet the 150 lbs. weight requirement.

# PARTS, TOOLS, MATERIALS

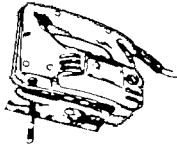
## YOU WILL NEED THE FOLLOWING TOOLS AND MATERIALS FOR THE INSTALLATION:

Carton or other heavy material for covering the counter top.

Clear tape  
(for taping the templates to the wall)

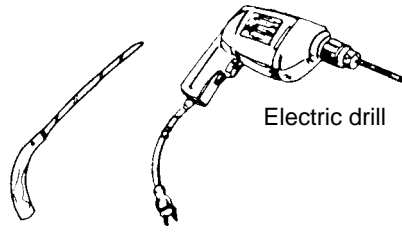


Stud finder or thin nail.



Saber saw (for cutting vent holes for roof or wall venting)

Key hole saw (for the power cord hole)



Electric drill

Phillips screwdriver (for the screws)



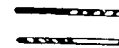
3/8" and 3/4" wood drill bits



Pencil



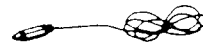
1/2" and 3/16"  
drill bits



Flat blade screwdriver (for the bolts)



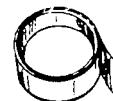
Plumb line



Measuring tape (metal preferred)



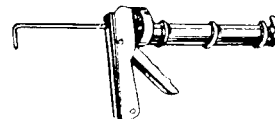
Duct Tape



Small side cutters or tin snips



Caulking gun



- If you have brick or masonry walls, you need special hardware and tools.
- The ductwork you need for the installation is not included. All wall and roof caps must have a back-draft damper.

# STEP 1: PREPARE THE ELECTRICAL CONNECTIONS



## AVOID ELECTRICAL SHOCK! THIS APPLIANCE MUST BE GROUNDED!

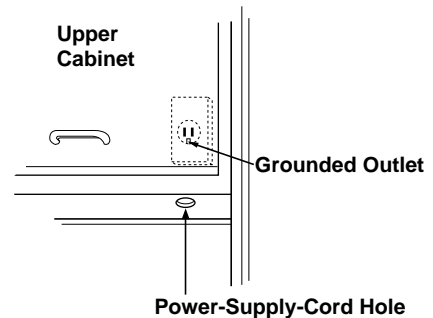
1. Locate the grounded electric outlet for this oven in the cabinet above the oven, as shown in Figure 4 Detail.

NOTE: The outlet should be on a circuit dedicated to the microwave oven 120V, 60Hz., AC only, with a 20ampere fused electrical supply.

IMPORTANT: If you do not have the proper wall outlet, you **MUST** have one installed by a qualified electrician.

2. You will cut the power-supply-cord hole (shown in Figure 4 Detail) later when you prepare the wall and upper cabinet in Step 4.

NOTE: Do not use an extension cord.  
Keep the power cord dry and do not pinch or crush it.



**Figure 4**



**Improper grounding could result in electric shock or other personal injury.**

- **DO NOT, UNDER ANY CIRCUMSTANCES, REMOVE THE POWER SUPPLY CORD GROUNDING PRONG!** This appliance **MUST** be grounded!

# STEP 2: PREPARE THE VENTING SYSTEM

NOTE: The ductwork you need for outside ventilation is not included with your oven. The standard ductwork fittings and length are shown in Figure 9, page 9.



**WARNING-FIRE HAZARD**



**THIS OVEN MUST BE PROPERLY VENTED!**

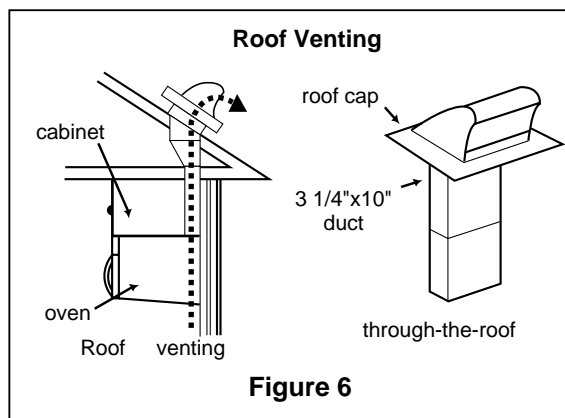
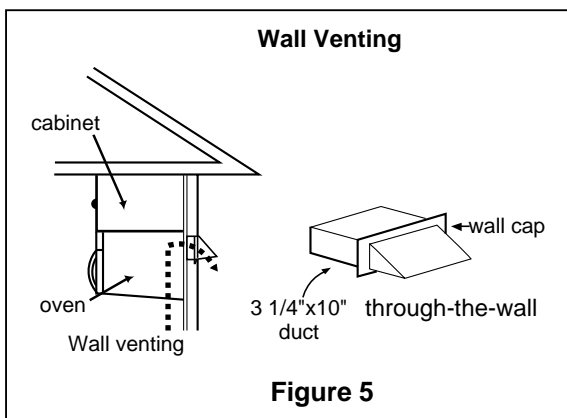
You may vent your oven in one of three ways:

**Roof-venting** If your oven is located on an outside wall near the roof, as in Figures 6 (3 1/4" x 10" duct) and 8 (6" round duct.)

**Wall-venting** If your oven is located on an outside wall on the first floor of your house, as in Figures 5 (3 1/4" x 10" duct) and 8 (6" round duct.)

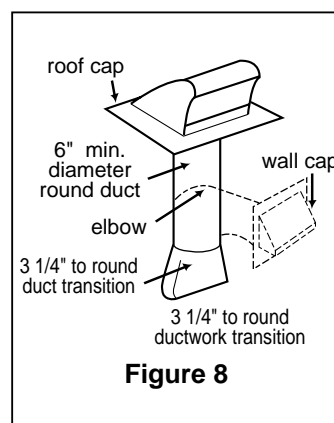
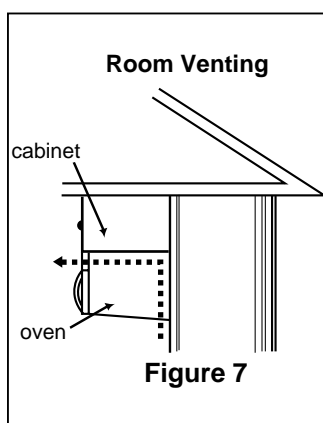
**Room-venting** If your oven is located on an inside wall of your house, as in Figure 7.

NOTE: If you choose the rear exhaust method (roof-or wall-venting), be sure there is enough clearance within the wall for the exhaust duct.



## REMEMBER AS YOU INSTALL THE VENTING:

- Keep the length of the ductwork and the number of elbows to a minimum to ventilate your oven efficiently. See examples on page 9.
- Keep the size of the ductwork the same.
- Do not install two elbows together.
- Use duct tape to seal all joints in the duct system.
- Use caulking to seal the exterior wall or roof opening around the cap.





# STEP 2: PREPARE THE VENTING SYSTEM

## STANDARD FITTINGS

NOTE: If the existing duct is round, you must use a rectangular-to-round adapter, with a rectangular 3" extension duct installed between the damper assembly and the adapter to prevent the exhaust damper sticking.

## DUCT LENGTH

The total length of the duct system, including straight duct, elbows, transitions, wall or roof caps **must not exceed the equivalent of 140 feet.**

For best performance, do not use more than three 90 degree elbows.

Below are the standard fittings and their equivalent length in feet.



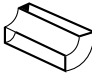

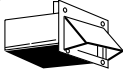

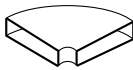
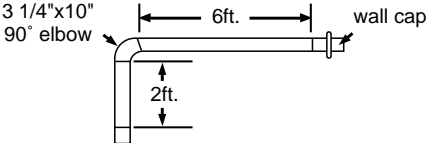
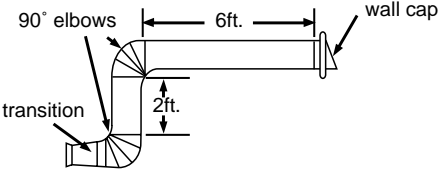
<p>1</p>  <p>3 1/4"x10" to 6"=5ft.</p>	<p>2</p>  <p>3 1/4"x10" roof cap=24ft.</p>	<p>3</p>  <p>3 1/4"x10" 90° elbow=25ft.</p>	
<p>4</p>  <p>90° elbow =10ft.</p>	<p>5</p>  <p>3 1/4"x10" wall cap =40ft.</p>	<p>6</p>  <p>45° elbow =5ft.</p>	<p>7</p>  <p>3 1/4"x10" flat elbow =10ft.</p>

Figure 9

To calculate the equivalent length of each duct piece used, see the examples below.

		Examples	
<p><b>For 3 1/4"x10" SYSTEMS</b></p> 		<p><b>For 6" ROUND SYSTEMS</b></p> 	
1-3 1/4" x 10" 90° elbow	= 25 ft.	1-transition	= 5 ft.
1-Wall Cap	= 40 ft.	2-90° elbows	= 20 ft.
8 feet straight duct	= 8 ft.	1-Wall Cap	= 40 ft.
<b>TOTAL LENGTH</b>	<b>= 73 ft.</b>	8 feet straight	= 8 ft.
		<b>TOTAL LENGTH</b>	<b>= 73 ft.</b>

# STEP 3: PREPARE THE VENTING BLOWER

Your microwave oven is shipped with the blower assembled for roof venting. You need to adjust the blower if you want wall-venting or room-vented (recirculating) installation.

## ⚠ WARNING ⚠ ELECTRICAL SHOCK HAZARD! UNPLUG UNIT BEFORE WORKING ON IT.

- DO NOT PULL OR STRETCH THE BLOWER WIRING! Pulling and stretching the blower wiring could result in electrical shock.

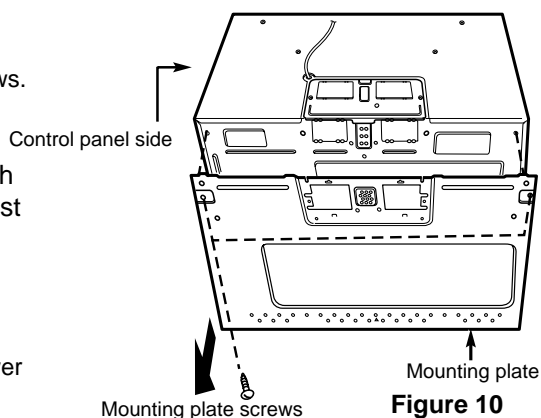
Remove two screws that attach mounting plate to microwave oven cabinet. See Figure 10. Remove mounting plate and set aside. Replace the screws.

### ROOF-VENTED INSTALLATION:

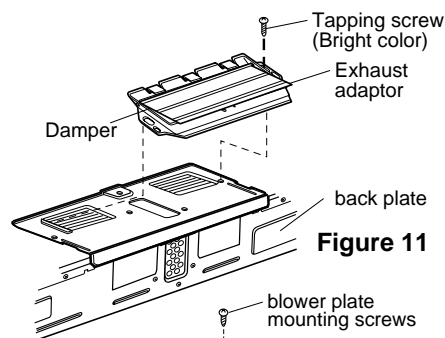
1. Insert one side of exhaust adaptor and attach with the one tapping screw on the other side of exhaust adaptor to the blower plate. See Figure 11. Go to STEP 4 on page 12.

### WALL-VENTED INSTALLATION:

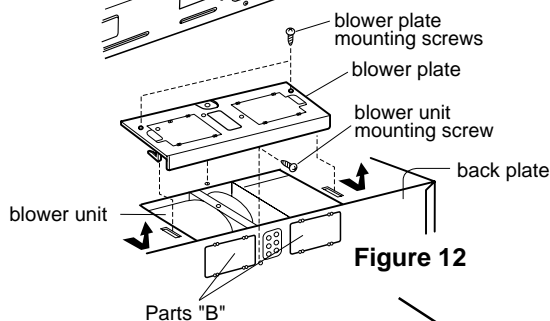
1. Remove one blower unit mounting screw and two blower plate screws. Remove the blower plate from cabinet. See Figure 12.
2. Carefully lift the blower unit out of the microwave oven.
3. Use side cutters or tin snips to cut and remove knockouts parts "B" from Back plate. Discard knockouts. Be careful not to distort the plate. See Figure 13.
4. Rotate the unit so that the exhaust ports face the rear of the cabinet. See Figure 14. When you insert blower unit, blower wire must be like figure 14.
5. Place blower unit back into cabinet. Check that the exhaust ports face towards the rear of the cabinet. See Figure 15.
6. Reattach the blower plate to cabinet so the exhaust ports and blower plate opening are aligned. Attach with one blower unit mounting screw and then two blower plate mounting screws. See Figure 16.



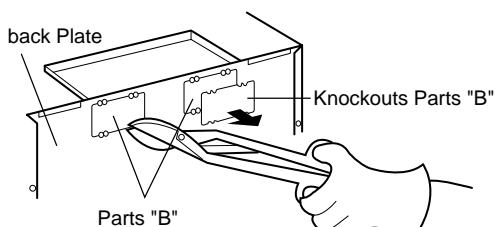
**Figure 10**



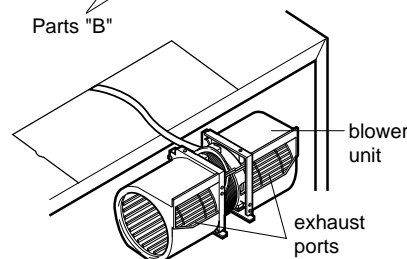
**Figure 11**



**Figure 12**



**Figure 13**



**Figure 14**

# STEP 3: PREPARE THE VENTING BLOWER

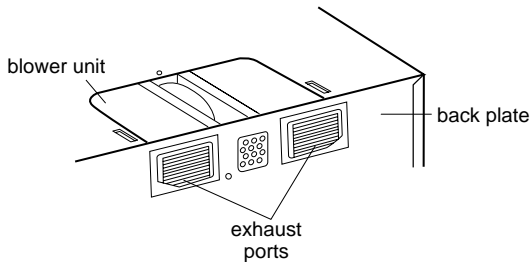


Figure 15

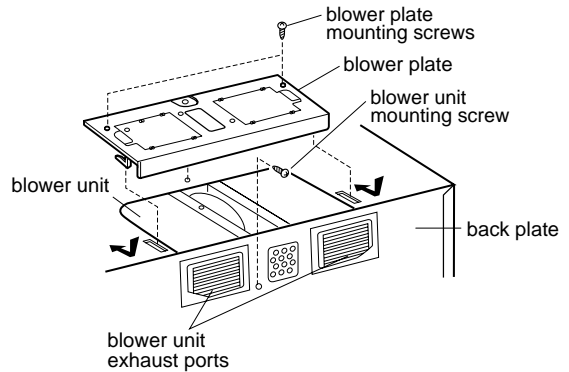


Figure 16

## ROOM-VENTED (Recirculating) INSTALLATION:

1. Remove one blower unit mounting screw and two blower plate screws. Remove the blower plate from cabinet. See Figure 17.
2. Carefully lift the blower unit out of the microwave oven.
3. Rotate blower unit so that the exhaust ports face the front of the cabinet. See Figure 18.
4. Place blower unit back into microwave oven.
5. Reattach blower plate to microwave oven. Attach with the one blower unit mounting screw and then the two blower plate mounting screws. See Figure 19.

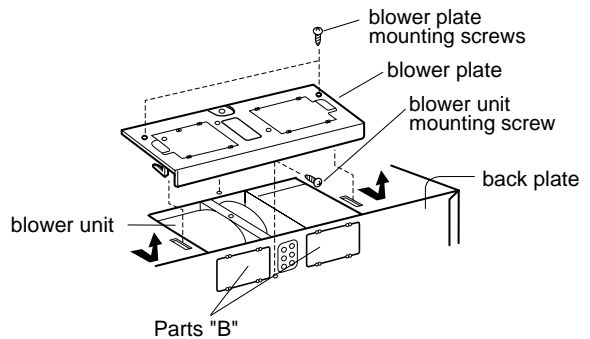


Figure 17

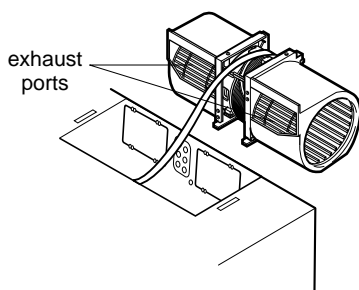


Figure 18

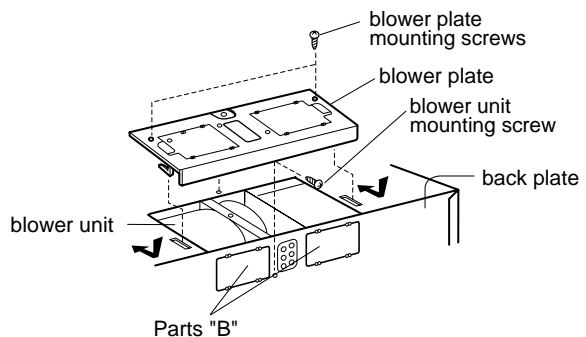


Figure 19

# STEP 4: PREPARE THE WALL AND UPPER CABINET FOR INSTALLATION

## MEASURE AND TACK / TAPE UP THE TEMPLATES

1. Using a plumb line and (metal) measuring tape, find and mark the vertical center line on the back wall, as in Figure 22.
2. Find and mark one or two points where the studs are on the wall (Studs are normally 16 inches apart.) and then measure and mark the stud locations. If you cannot find any wall stud, consult a local building contractor.

### CAUTION

DO NOT ATTEMPT TO INSTALL THE MICROWAVE OVEN IF YOU CANNOT FIND A WALL STUD.

3. Line up the plumb line on the wall with the center line on the mounting plate.

NOTE: Be sure the minimum width is 30 inches and the distance from the top of the mounting plate to the range or counter top is at least 30 inches. See Figure 4 on page 4.

4. Center mounting plate in operating by lining up the plumb line on wall with centerline on mounting plate. Make sure the minimum width is 30 inches and that the top of the mounting plate is located a minimum of 30 inches above the cooking surface. See Figure 23.

NOTE: If the cabinets are not plumb, adjust the mounting plate to the cabinets. If the front edge of the cabinet is lower than the back edge, adjust the mounting plate to be level with the cabinet front.

5. Measure the bottom of the upper cabinet frame. Trim the edges "A" "B" and "C" on the upper cabinet template so that the template will fit on the bottom of the upper cabinet. If upper cabinet has a recessed frame, trim template so that it fits inside the recessed area. Align the centerline of the upper cabinet template with the centerline of the mounting plate; then securely tape or tack the upper cabinet template in place. See Figure 23

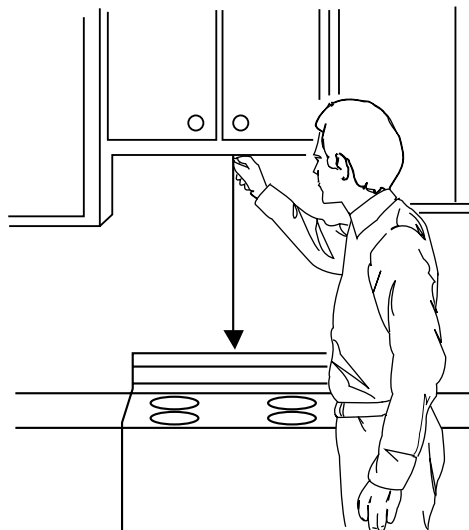


Figure 22

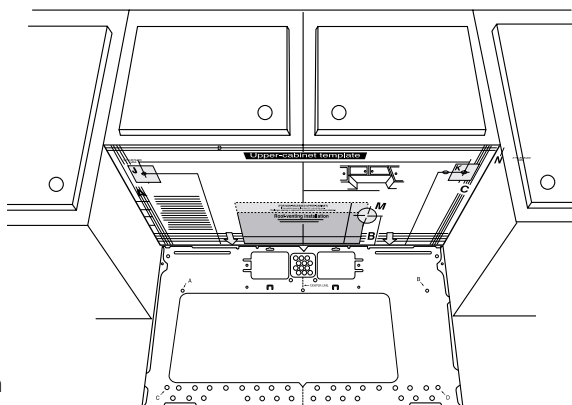


Figure 23

# STEP 4: PREPARE THE WALL AND UPPER CABINET FOR INSTALLATION

## DRILL THE HOLES IN THE WALL AND UPPER CABINET.



### BE VERY CAREFUL WHEN DRILLING HOLES INTO THE WALL.

Electrical wires could be concealed behind the wall covering and if the drill hits them you could get an electric shock.

1. Find the points on the mounting plate labeled "A", "B", "C", and "D". Drill a 3/16" diameter hole at any points that are over a wall stud. Drill a 3/4" diameter hole at any points over drywall.
2. Drill a 3/8" hole at points "J", "K", and "N" on the upper cabinet template.  
NOTE: If the bottom of the upper cabinet is recessed 3/4" or more, you will need 2"x2" filler blocks (not included) to provide additional support for the bolts. See Figure 24.
  - Mark the center of each filler block and drill a 3/8" diameter hole at the marks.
  - Align filler blocks over the two openings in the top of the microwave oven cabinet and attach to cabinet with masking tape. See Figure 25.
3. Cut or drill a 2" diameter hole at the area marked "M".  
Power supply cord hole on the upper cabinet template. If the upper cabinet is metal, you will need to cover the edge of the hole with the power supply cord bushing (supplied) to prevent damage to the cord from the rough metal edge.



**YOU MUST COVER THE EDGE OF THE POWER SUPPLY CORD HOLE IN A METAL CABINET WITH THE POWER SUPPLY CORD BUSHING. FAILURE TO DO SO COULD RESULT IN DAMAGE TO THE CORD AND ELECTRIC SHOCK.**

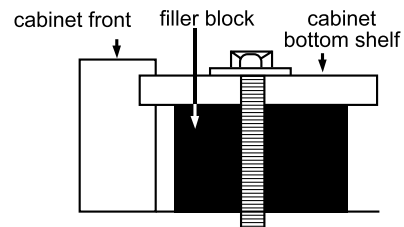


Figure 24

4. Cut out the venting areas (with the saber saw):
  - Roof-Vented: cut out the shaded area marked "L" on the upper cabinet template.
  - Wall-Vented: go to STEP 5, INSTALL THE MOUNTING PLATE, located on page 15.
5. Complete whichever venting system you have chosen.  
Use caulking compound to seal the exterior wall or roof opening around the wall cap or roof cap.

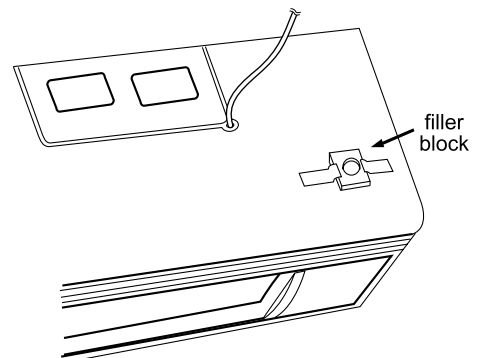


Figure 25

# STEP 5: INSTALL THE MOUNTING PLATE TO THE WALL

## THE OVEN MUST BE CONNECTED TO AT LEAST ONE WALL STUD.

1. Draw a vertical line on the wall at the center of the 30" wide space.

Use the mounting plate as the template for the rear wall. Place the mounting plate on the wall, making sure that the tabs are against the bottom of the cabinet. Line up the notch and center line on the mounting plate to the center line on the wall.

2. While holding the mounting plate with one hand, draw circles on the wall at holes A, B, C and D. Four holes must be used for mounting. If the holes are not used, the installation will not be secure. Installer must use these holes for proper installation. Use toggle bolts through these holes unless one of them lines up with a stud. Use a wood screw for studs.

NOTE: Draw a fifth circle inside area E, through one of the bottom holes to match the location of a stud.

For wall-vented: The oven requires a rear wall cutout opening for the rear wall duct and the exhaust adaptor must be attached to the mounting plate. See the next page on how to prepare the rear wall cutout opening and the exhaust adaptor/mounting plate for wall-vented.

3. Drill holes on the circles. If there is a stud, drill a 3 / 16" hole for lag screws. If there is no stud, drill a 3 / 4" hole for toggle bolts. Make sure to use at least 1 lag screw in a stud, and 4 toggle bolts in the drywall or the plaster.

4. Attach the plate to the wall. To use spring toggle heads bolts: Remove the toggle wings from the bolts. Insert the bolts into the mounting plate and replace the spring toggle heads to 3 / 4" past the bolt ends. Insert the spring toggle heads into the holes in the wall to mount the bracket. You may pull forward on the bracket to help in tightening the toggle bolts. Tighten all bolts.

3/16" Hole on Studs  
3/4" Hole on Drywall Only

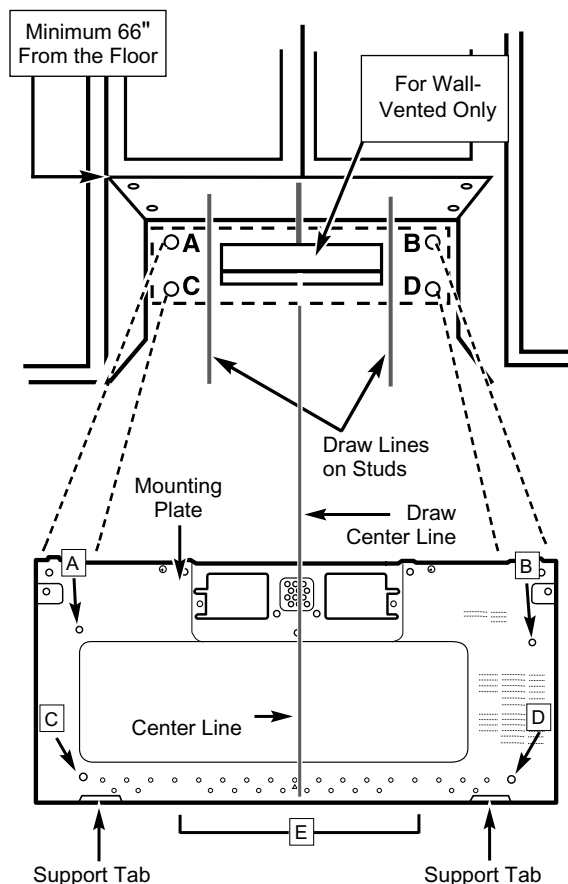


Figure 26

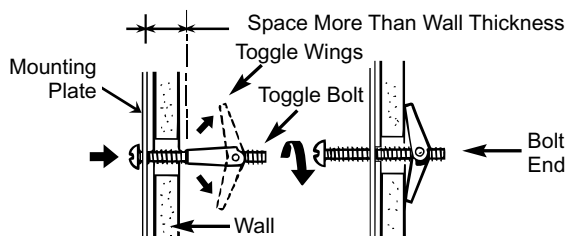


Figure 27

# STEP 5: INSTALL THE MOUNTING PLATE TO THE WALL

## TO PREPARE THE REAR WALL CUTOUT OPENING AND EXHAUST ADAPTOR/MOUNTING PLATE FOR WALL-VENTED:

1. Place the mounting plate against the rear wall as described in step 5 item 1 (page 14).
  2. Using a pencil, put dots through slots F and G, and through holes H and I. Remove the mounting plate and draw lines extending through the points. This will give the location and size of the box cutout for the rear wall duct.
- Attach the exhaust adaptor to the rear mounting plate by sliding it into the guides at the top center of the plate on the wall side. Push in securely until it is past the top locking tabs and in the lower locking tabs. Take care to assure the damper hinge is installed so that it is at the top and that the damper swings freely.
  - Carefully guide the exhaust adaptor, now attached to the mounting plate, into the house duct, before using the screws to attach the plate to the wall. This will assure proper alignment for installation.
  - Return to step 5, item 3 (page 14) to continue. After completing the installation of the mounting plate, again check the rear damper for free movement to assure it will operate properly.

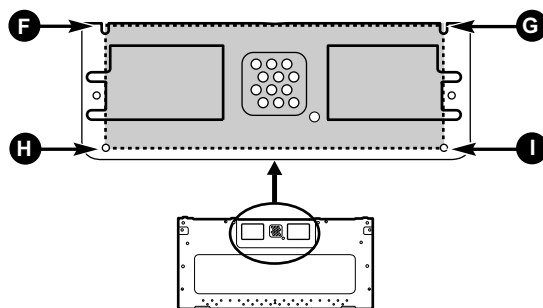


Figure 28

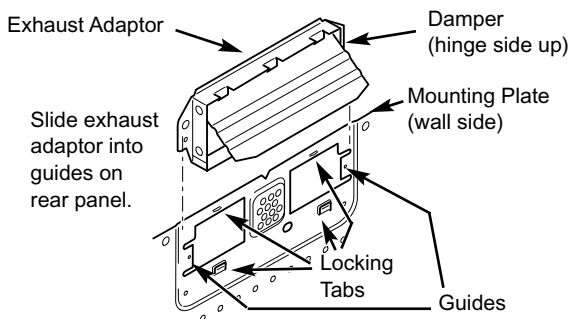


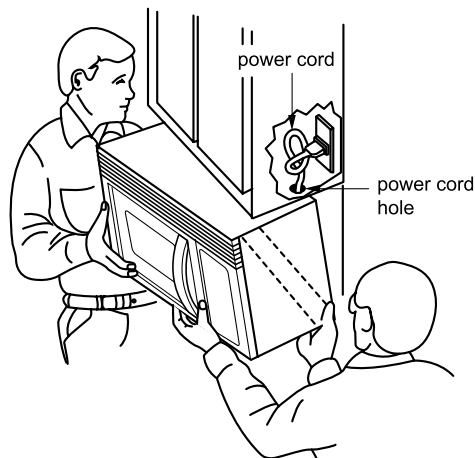
Figure 29

# STEP 6: ATTACH THE OVEN TO THE WALL



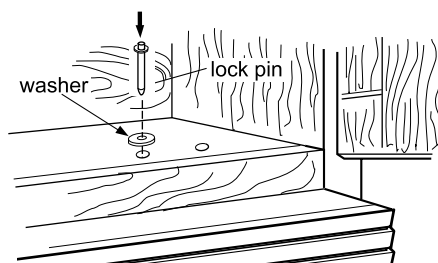
**You will need two people to lift this microwave. Failure to use more than one person could result in personal injury.**

1. Carefully lift microwave oven and hang it on support tabs (See Figure 26) at the bottom of the mounting plate. Reaching through upper cabinet, thread power supply cord through the power supply cord hole in the bottom of the upper cabinet. See Figure 30.
2. Rotate the microwave oven upward so the top of oven is against the bottom of the upper cabinet or cabinet frame.
3. Drop the lock pin and washer assembly into hole "N" (left side hole) and push the pin down as far as it will go. See Figure 31.



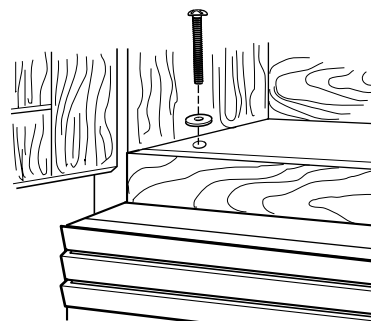
**Figure 30**

4. Place washers over two 1/4"x3" bolts. Then insert a bolt down through each hole in the upper cabinet bottom. Tighten the bolts until the gap between the upper cabinet and microwave oven is closed. See Figure 32.



**Figure 31**

5. Remove lock pin and washer. If wall-vented or room-vented installation is used, go to No. 8 on the next page.



**Figure 32**

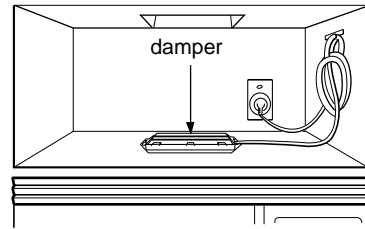


# **STEP 6:**

## **ATTACH THE OVEN TO THE WALL**

---

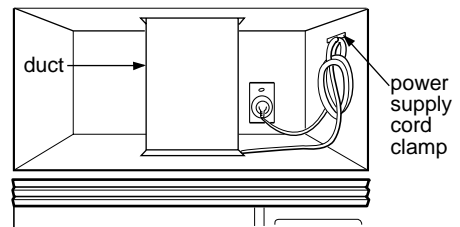
6. Roof vented installation: See Figure 33  
Install ductwork through the vent opening in the upper cabinet. Complete the venting system through the roof according to the method needed. See "PREPARE THE VENTING SYSTEM," STEP 2 on the page 8. Use caulking to seal exterior roof opening around the exhaust cap. See Figure 6 on page 8.



**Figure 33**

7. Use power supply cord clamp to bundle the power supply cord. Install the power supply cord clamp, using a screw as shown in Figure 34, to inside of the cabinet.

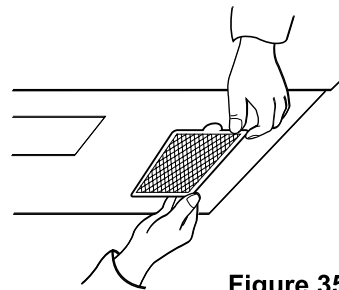
8. To install the grease filter: Slide it into the slide slot, then push up and toward oven center to lock. See Figure 35.



**Figure 34**

9. Plug in the power supply cord.

10. Read your Owner's Manual, then check the operation of your microwave oven.



**Figure 35**