



# INSTALLATION INSTRUCTIONS

# BUILT IN OVEN

Please read the instructions before installing this product.

LB651078	LB641058	ES330S
LB651072	LB641158	ES300S
LB641152	LB621120	ES551SP
LB641122	LB621100	ES441S

## Caution for safety

Any electrical installation work must be carried out by a qualified electrician or competent person.

This electric appliance must be installed according to the instructions in order to avoid a damage. This oven should be disconnected from the power supply before installation or maintenance. This oven should always be earthed.

## The work in the low cabinet

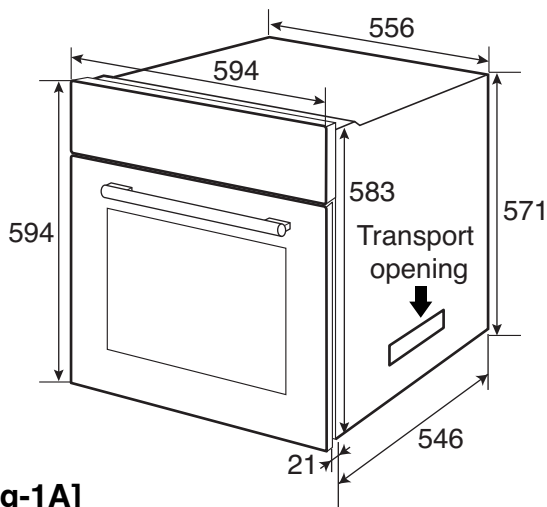
Oven dimensions and kitchen cabinet dimensions are shown in the fig-1A,1C,1D.

The oven power supply must be located in the back area (P) of kitchen cabinet or outside the installation space (cupboard).

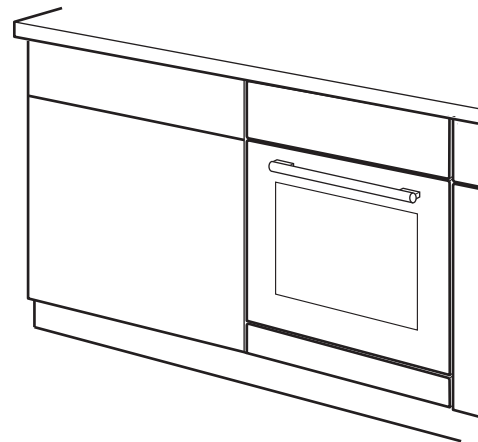
In accordance with the position of power supply, make a hole "P" in the back wall or a hole "R" in the side wall of the kitchen cupboard to pass the connection lead.

Lift the oven and slide into the cabinet by using side holes. But do not try to lift the oven by door handle on the front. Take care not to kink the wires of the electrical supply cable.

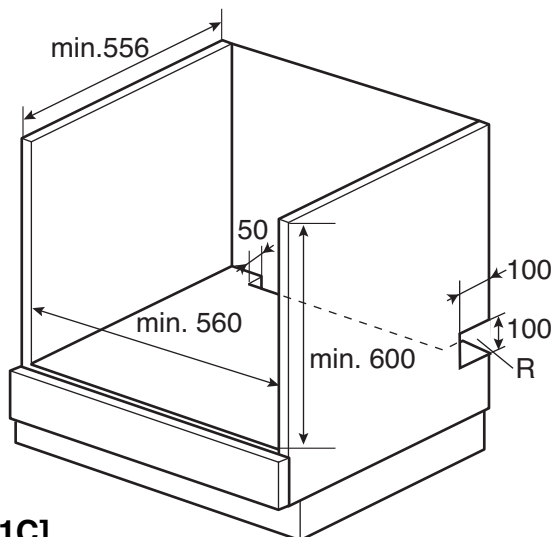
If installing with hobs, follow the hob installation instruction.



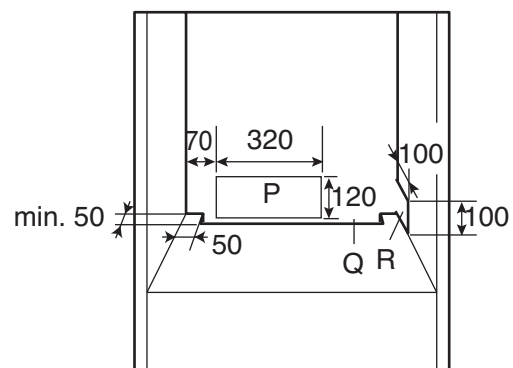
[fig-1A]



[fig-1B]



[fig-1C]



[fig-1D]

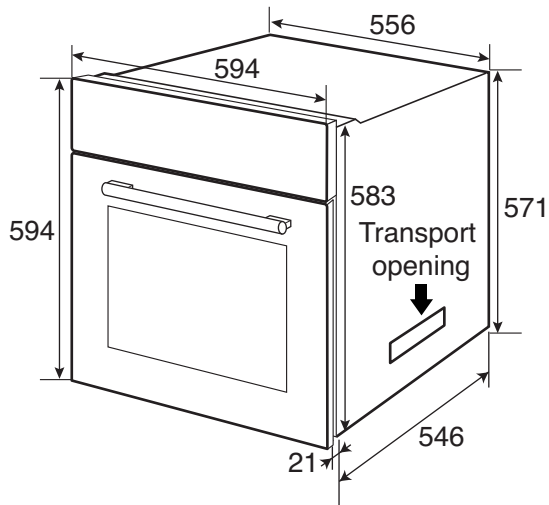
## The work in the high cabinet

Oven dimensions and kitchen cabinet dimensions are shown in the fig-2A,2B.

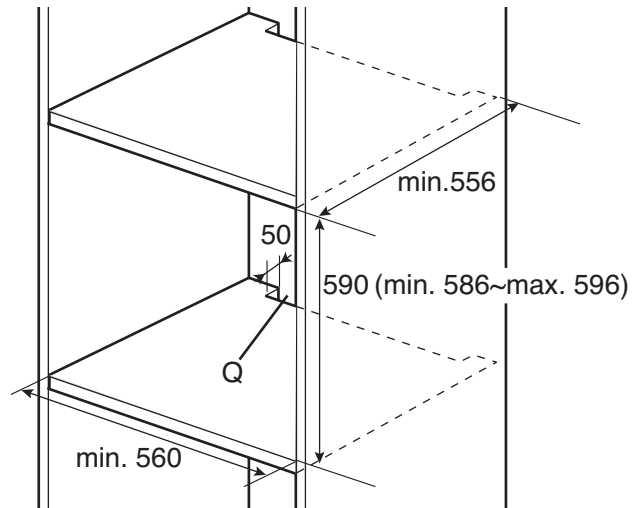
A gap must be minimum 10mm between the rear of the installed oven and the connecting wall.

To Lift oven,use side holes of the oven (refer to arrow, Fig-2A).

Kitchen cabinet in contact with the oven must be heat resistant up to 90 °C, and close units fronts up to at least 70 °C.



[fig-2A]



[fig-2B]



[fig-2C]

## For Ventilation

For correct ventilation, the ventilation opening of 50mm should be required between the back wall and the floor of the installation cabinet (See "Q" fig--1D,2B &3A), the ventilation gap of 5mm is required between the oven top rim and the cooktop lower rim, and between the oven both sides rim and the cabinet (fig-3B,3C), these openings must not be closed by any way. So ensure that the sides are not touching the front edges of the housing.

Connect the oven to the power supply. Secure the oven to the kitchen unit with screws (Fig-3D)

## Connecting the oven to the power supply

The oven must be connected by a licensed specialist in accordance with this instructions and in compliance with local regulations. Make sure the voltage shown on the rating plate is the same as the power supply voltage in your home. Use a type H05 VV-F power cord. The oven must be connected to the power supply by means of an all-pole disconnect switch with a minimum contact gap of 3mm and must be connected to earthed socket by law. The supply plug shall be accessible after the installation. The oven's components operate at 220-240V. Identify the phase and neutral conductor in the socket. Incorrect connection may damage the oven. (Fig-3E)

