

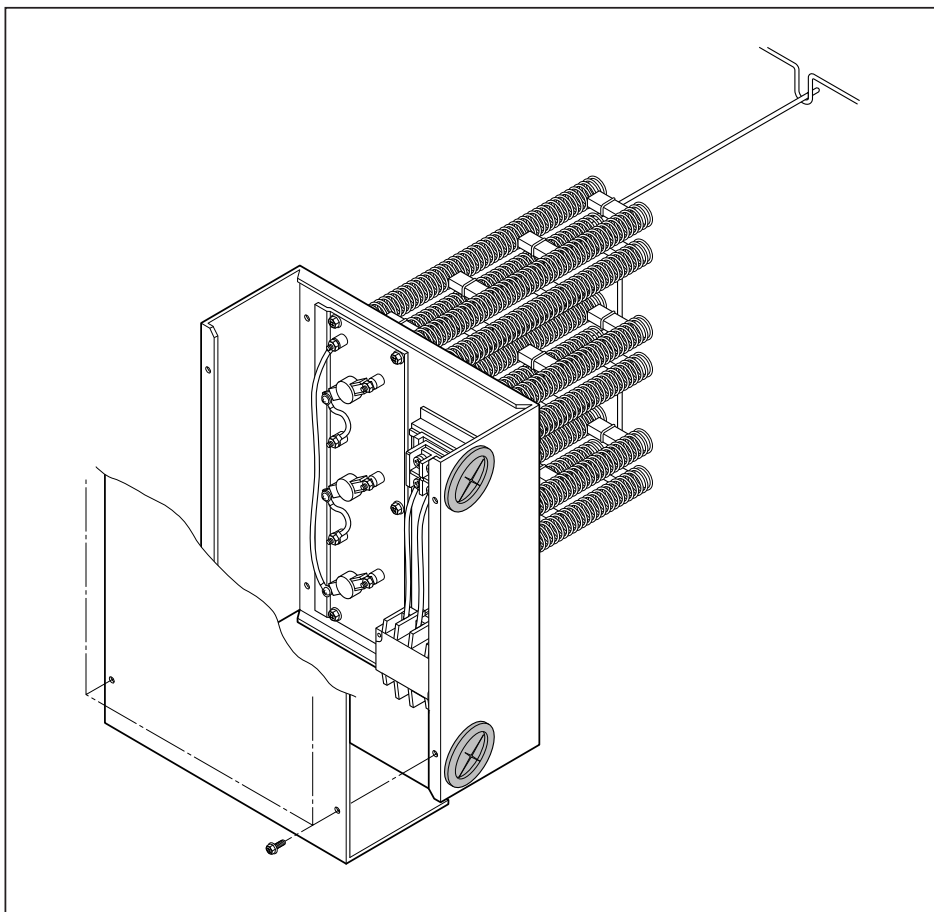
# LG ELECTRIC HEATERS INSTALLATION INSTRUCTIONS

---

**Models:** LKAEH052, LKAEH102, LKAEH152,  
LKAEH09B, LKAEH18B, LKAEH36B, LKAEH36BL

---

- Please read this instruction sheet completely before installing the product.
- Installation work must be performed in accordance with national wiring standards by authorized personnel only.



## Table 1 Accessory Heaters Electrical Data

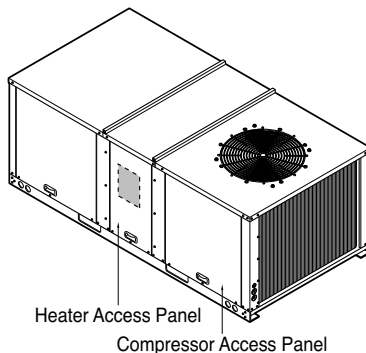
Ton	Heater Model No.	Heater KW Rating	Control Stages	Heater Rated Volts	Standard indoor fan motor			Over size indoor motor		
					M.C.A	M.F.S	M.C.B	M.C.A	M.F.S	M.C.B
3RT	LKAEH052	3.6/5.0	1	208-240/60/1	27.6/32.2	60/60	60/60	-	-	-
	LKAEH102	7.2/10.0	1	208-240/60/1	47.4/55	60/60	60/60	-	-	-
4/5RT	LKAEH052	3.6/5.0	1	208-240/60/1	29.6/34.2	60/60	60/60	-	-	-
	LKAEH102	7.2/10.0	1	208-240/60/1	49.4/57.0	60/60	60/60	-	-	-
	LKAEH152	14.4/15.0	1	208-240/60/1	69.0/79.7	90/90	90/90	-	-	-
6.25/7.5RT	LKAEH09B	7.8/9.0	1	208-240/60/3	30.4/35.1	60/60	60/60	33.0/38.1	60/60	60/60
	LKAEH18B	15.6/18.0	1	208-240/60/3	50.9/58.7	70/70	70/70	53.3/61.5	70/70	70/70
8.5/10/12.5 RT	LKAEH09B	7.8/9.0	1	208-240/60/3	35.7/41.2	60/60	60/60	42.0/48.4	60/60	60/60
	LKAEH18B	15.6/18.0	1	208-240/60/3	56.2/64.8	70/70	70/70	62.4/72.0	80/80	80/80
15/17.5RT	LKAEH18B	15.6/18.0	1	208-240/60/3	56.2/64.8	70/70	70/70	62.4/72.0	80/80	80/80
	LKAEH36B	31.2/36.0	2	208-240/60/3	97.1/112.1	125/125	125/125	103.4/119.3	125/125	125/125
20/25RT	LKAEH36BL	31.2/36.0	2	208-240/60/3	97.1/112.1	125/125	125/125	103.4/119.3	125/125	125/125

**Note:** Heater KW ratings are at 208/240V for 220V unit.  
M.C.A; Minimum Circuit Ampere  
M.F.S; Maximum Fuse Size  
M.C.B; Maximum Circuit Breaker  
\* HACR type Circuit Breaker per NEC.

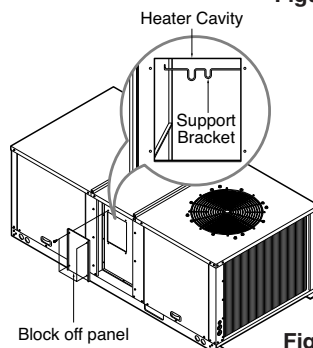
## Installation

**⚠ WARNING :** Open and lock unit disconnect switch before installing this accessory to prevent injury or death due to electrical shock or contact with moving parts.

1. Loosen the screw that secures heater compartment access panel. Lift up, pull towards you and slide it down to remove.
2. Remove four(4) screws from block off panel to expose heater cavity and heater's back support bracket. Save screws for installing heater later.(See Figure 2.)



**Figure 1**



**Figure 2**

## Heater and Control Box Assembly

3. Insert heater into the opening hole of heater control box.
4. Align holes and secure screws to the control box as shown in Figure 3.

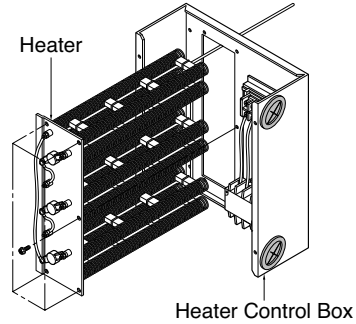


Figure 3

## Single Bank Heater Installation

-LKAEH052, LKAEH102, LKAEH152,  
LKAEH09B, LKAEH18B, LKAEH36BL

5. Place the heater control assembly in the heater cavity.
6. Secure the heater control assembly of heater cavity using four(4) screws. (See Figure 4.)

**Important:** Make sure the heater arm slides into heater's back support bracket.

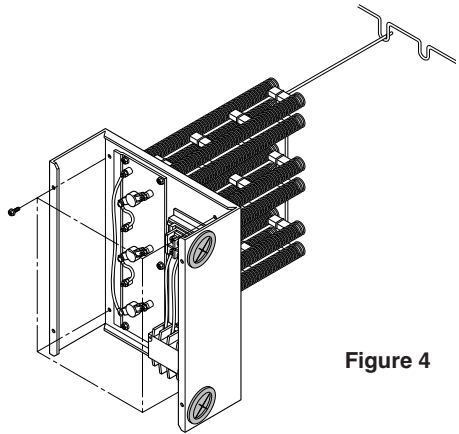


Figure 4

## Two Bank Heaters Installation

-LKAEH36B

7. For two heaters installation, align holes and secure screws to the control box as shown in Figure 3.
8. Secure the heater control assembly on heater cavity using four(4) screws.(See Figure 5)

**Important:** Make sure the heater's arm slides into heater's back support bracket.

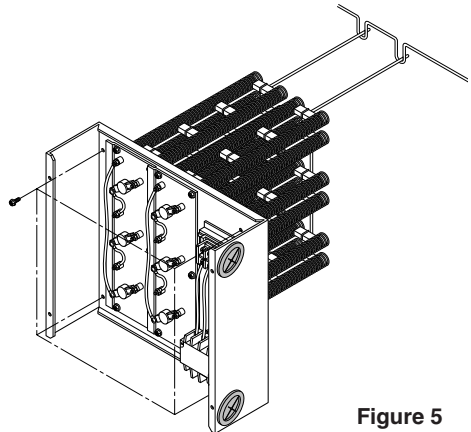
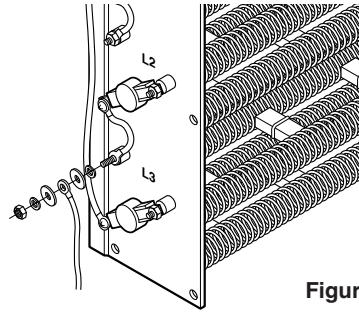


Figure 5

9. Remove the nut, lock washer and flat washer from heater terminal posts marked L1, L2 and L3.
10. Connect wiring from control box panel to the correct terminal post as shown on heater's wiring diagram.

**Note:** The correct sequence for replacing the hardware on the heater terminal posts is: 1) wire connector 2) flat washer 3) locking washer 4) nut. "DO NOT OVER TIGHTEN NUT ON TERMINALS" use a nut driver only to tighten connection.(See Figure 6.)



**Figure 6**

**CAUTION:** Do not over tighten the nuts on the heater terminals. if the nuts are over tightened the ceramic insulators will break and heaters must be replaced.

**Maximum torque on nuts is 11 inch pounds.**

## Control Wiring

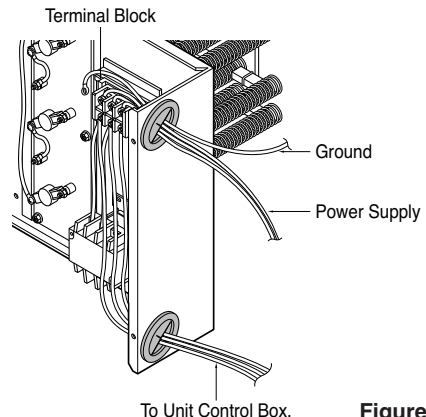
11. Connect control wires(Brown) on terminal block (and P.C.B) as shown on wiring diagram attached on compressor access panel.

## Power Wiring

12. Then route wires down through the opening in the top of control box. Connect wires to high voltage terminal block. Refer to wiring diagram supplied with heater.
13. Check to make certain the proper size fuses are installed per the fuse table for the exact heater being used.
14. Ground unit at the grounding lug provided. Make sure all field wiring complies with all applicable codes and water tightness.(Figure 7)
15. Remove compressor panel, then remove unit's control box cover. Connect high voltage leads to bottom of compressor contactor or terminal block.(See unit's wiring diagram.) Replace control box cover and access panel onto unit. (Figure 7)

**CAUTION:** Use copper conductors only to prevent equipment damage. Unit terminals are not designed to accept any other wiring.

16. Replace control box cover using four(4) screws.
17. Replace heater access panel.



**Figure 7**