



# Colour Monitor

USER GUIDE

BENUTZERHANDBUCH

MANUEL D'UTILISATION

GUIDA UTENTE

GUIA DEL USUARIO

MODEL : StudioWorks 7D



## **FCC Compliance Statement**

This equipment has been tested and found to comply with the limits for a Class B digital device pursuant to Part 15 of the FCC Rules. These limits are designed to provide reasonable protection against harmful interference in a residential installation.

This equipment generates, uses, and can radiate radio frequency energy and if not installed and used in accordance with the instructions, may cause harmful interference to radio communications. However, there is no guarantee that interference will not occur in a particular installation.

If this equipment does cause harmful interference to radio or television reception (which can be determined by turning the equipment off and on), the user is encouraged to try to correct the interference by using one or more of the following measures:

- Reorient or relocate the receiving antenna.
- Increase the separation between the equipment and the receiver.
- Connect the equipment into an outlet on a circuit different from that to which the receiver is connected.
- Consult the dealer or an experienced radio/TV technician for help.

**Caution:** Changes or modifications not expressly approved by LG Electronics Inc. for compliance could void the user's (or your) authority to operate the equipment. Only peripherals (digital input/output devices, terminals, printers, etc.) certified to comply with the Class B limits may be attached to this monitor. Operation with non-certified peripherals is likely to result in interference to radio and TV reception.

Only shielded Signal Cables may be used with this System.

### **Canadian D. O. C. Notice**

This Class B digital apparatus meets all requirements of the Canadian Interference-Causing Equipment Regulations.

Cet appareil numérique de la classe B respecte toutes les exigences du Règlement sur le matériel brouilleur du Canada.

## Table of Contents

Introduction .....	1
Monitor Registration .....	2
Important Precautions .....	3
Installation .....	5
Location and Function of Controls .....	6
Control Panel Function .....	7
On Screen Display (OSD) Control Adjustment .....	8
Sound Selection and Adjustment .....	12
General Operation .....	13
Power Management System .....	14
Image Adjustment .....	14
Video Memory Modes .....	15
Microphone Operation .....	17
Audio Features .....	17
Audio Connections .....	17
Low Radiation Compliance (MPR II) .....	18
Self Diagnostics .....	18
DDC (Display Data Channel) .....	18
Troubleshooting Tips .....	19
Service .....	20
Specifications .....	21
Warranty Statement .....	23

## **Introduction**

Thank you for purchasing a Goldstar color monitor. This monitor supports OSD, DDC1, DDC2B, DDC2AB, and Sound. It will give you high resolution performance and operation in a variety of video operating modes. It is compatible with standard PC type personal computers. The 17-inch flat Square Tube design (15.7 inches viewable) is excellent for use in a Windows or desktop publishing environment, where smaller screen sizes result in images difficult to see easily. The anti-glare treatment is easy on the eyes.

The microprocessor-based On Screen Display (OSD) controls allow you to adjust a variety of image controls, automatically storing up to 35 different video modes, including 7 pre-set modes.

For greater user health and safety, this monitor complies with the Swedish Nutek MPR II requirements for low radiation emissions.

For low cost of monitor operation, this monitor is certified as meeting the EPA Energy Star Requirements, and utilizes the VESA Display Power Management Signalling (DPMS) protocol.

Please review this manual completely before operating the monitor.

## Monitor Registration

The model and serial numbers are found on the rear of this unit. These numbers are unique to this unit and not available to others. You should record requested information here and retain this guide as a permanent record of your purchase. Staple your receipt here.

Date of Purchase : \_\_\_\_\_  
Dealer Purchased From : \_\_\_\_\_  
Dealer Address : \_\_\_\_\_  
Dealer Phone No. : \_\_\_\_\_  
Model No. : \_\_\_\_\_  
Serial No. : \_\_\_\_\_

## Notice

All rights reserved. Reproduction in any manner, in whole or in part, is strictly prohibited without the written permission of LG Electronics Inc.

## Trademark Acknowledgments

**GoldStar** is a trademark of **LG Electronics Inc.**

**IBM** is a registered trademark and **VGA** is a trademark of International Business Machines Corporation.

---

**WARNING** : To reduce the risk of fire or electric shock, do not expose this appliance to rain or moisture.

**AVERTISSEMENT** : Ne pas placer cet appareil dans un endroit humide. Cela peut entraîner un incendie ou une décharge électrique.

## Important Precautions

This unit has been engineered and manufactured to assure your personal safety, but improper use can result in potential electrical shock or fire hazard. In order not to defeat the safeguards incorporated in this monitor, observe the following basic rules for its installation, use, and servicing. Also follow all warnings and instructions marked directly on your monitor.

### On safety

1. Use only the power cord supplied with the unit. In case you use another power cord, make sure that it is certified by the applicable standards (UL/CSA or VDE) if not being provided by the supplier.
2. Operate the monitor only from a power source indicated in the specifications of this manual or listed on the monitor. If you are not sure what type of power supply you have in your home, consult with your dealer.
3. Overloaded AC outlets and extension cords are dangerous. So are frayed power cords and broken plugs. They may result in a shock or fire hazard. Call your service technician for replacement.
4. **DO NOT OPEN THE MONITOR.** There are no user serviceable components inside. There are Dangerous High Voltages inside, even when the power is OFF. Contact your dealer if the monitor is not operating properly.
5. To avoid personal injury :
  - Do not place the monitor on a sloping shelf unless properly secured.
  - Use only a stand recommended by the manufacturer.
  - Do not try to roll a stand with small casters across thresholds or deep pile carpets.
6. To prevent Fire or Hazards:
  - Always turn the monitor OFF if you leave the room for more than a short period of time. Never leave the monitor ON when leaving the house.

- Keep children from dropping or pushing objects into the monitor's cabinet openings. Some internal parts carry hazardous voltages.
- Do not add accessories that have not been designed for this monitor.
- During a lightning storm or when the monitor is to be left unattended for an extended period of time, unplug it from the wall outlet.
- Do not bring magnetic devices such as magnets or motors near the picture tube.

#### **On installation**

1. Do not allow anything to rest upon or roll over the power cord, and do not place the monitor where the power cord is subject to damage.
2. Do not use this monitor near water such as near a bathtub, washbowl, kitchen sink, laundry tub, in a wet basement, or near a swimming pool.
3. Monitors are provided with ventilation openings in the cabinet to allow the release of heat generated during operation. If these openings are blocked, built-up heat can cause failures which may result in a fire hazard. Therefore, NEVER:
  - Block the bottom ventilation slots by placing the monitor on a bed, sofa, rug, etc.
  - Place the monitor in a built-in enclosure unless proper ventilation is provided.
  - Cover the openings with cloth or other material.
  - Place the monitor near or over a radiator or heat source.

#### **On cleaning**

- Unplug the monitor before cleaning the face of the picture tube.
- Use a slightly damp (not wet) cloth. Do not use an aerosol directly on the picture tube because overspray may cause electrical shock.

#### **On repacking.**

- Do not throw away the carton and packing materials. They make an ideal container in which to transport the unit. When shipping the unit to another location, repack it in its original material.

## **Installation**

The supply voltage is marked on the ID label located on the rear panel of the monitor. If your local voltage is different, do not use the monitor and contact your supplier before using the display.

### **Connections**

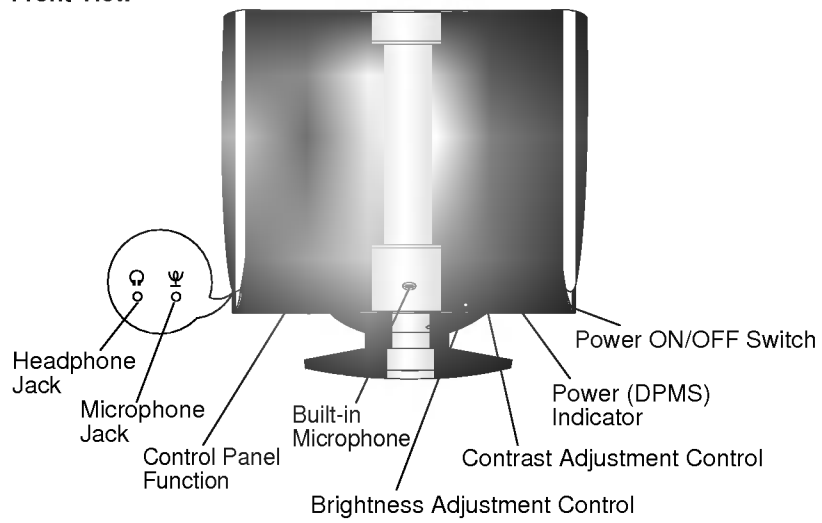
To connect your monitor after the video adapter is properly installed:

1. Turn OFF the power to your computer and all its attached options.
2. Position the monitor and the computer so that you can easily get to the back panel of each.
3. Connect the signal cable with D-sub connector to the graphics board on your PC as described in your PC Owner's Manual.
4. Tighten the screws on the video cable connectors to keep them from coming loose and to prevent radio and TV interference.
5. Connect the power cord to the AC receptacle on the back of the monitor. Plug the other end of the power cord into a properly grounded electrical outlet.
6. The socket-outlet should be installed near the equipment and should be easily accessible.

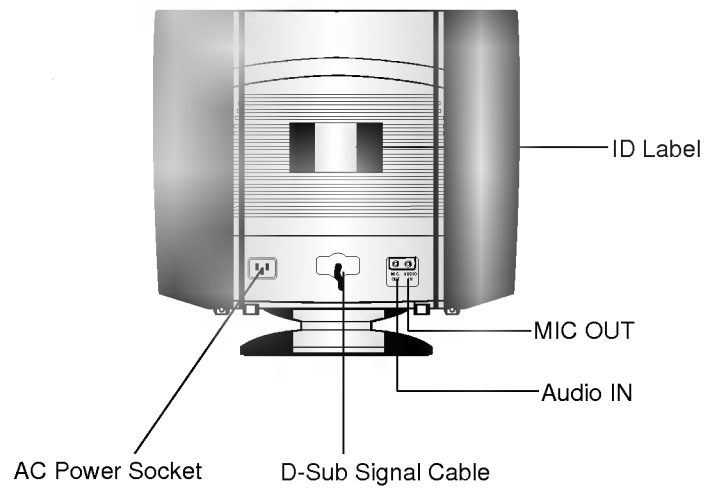


## Location and Function of Controls

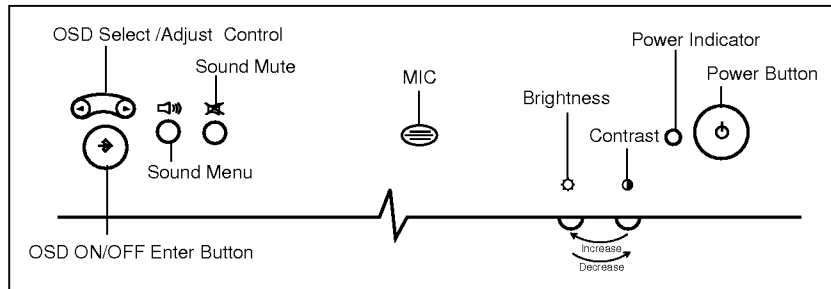
### Front View



### Rear View



## Control Panel Function



Buttons on the front of the monitor allow you to adjust the image easily through an OSD menu. As you choose controls, the selected icon shows you what the chosen control will do. These pictures give you immediate understanding of the controls. The following is a description of use for each button.

### Power ON/OFF button

This button is used to turn the monitor ON and OFF. In case the monitor is in a stand-by mode, indicated by an amber color Power Indicator, push the Power Button again to return the monitor to its normal display operation.

### Power Indicator

This Indicator lights up green when the monitor operates normally. If the monitor is in DPM (Energy Saving) mode (stand-by/suspend/power off), this indicator color changes to amber.

### ● Contrast control

Adjust the display to the contrast desired. Move the thumbwheel located beneath this indicator to increase or decrease the display contrast.

### ☀ Brightness control

Used to adjust the brightness of the screen. Move the thumbwheel located beneath this indicator to increase or decrease the display brightness.

### ➔ Enter button

Use this button to start/enter and exit from the On Screen Display (OSD). If there is no OSD on the screen, One press of this button will show the Main Menu.

◀▶ **Adjustment Control**

Use this buttons for selecting (highlighting) an OSD icon to be adjusted. It is also used for selecting the level of the selected item to be adjusted.

🔊) **Sound** : To adjust sound menu.

🔇 **Mute**

Used to select mute on (means sound off) and mute off (means sound on).

☰ **MIC** : Built-in microphone.

**On Screen Display (OSD) Control Adjustment**

Making adjustments to the image size, position, and operating parameters of the monitor is quick and easy with the On Screen Display Control system, using only the ENTER button and Adjustment Control buttons. A quick example is given below to familiarize you with the use of the controls. Following this section is an outline of the available adjustments and selections you can make using the OSD.

Example;


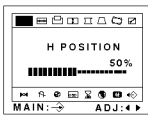

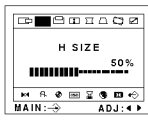

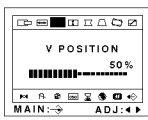


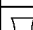
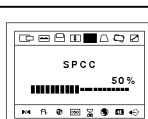
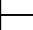
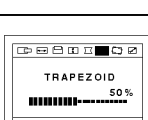
Note : (Monitor and PC should be ON, with an image or prompt on the screen). A single press of the ENTER button will present you with the Main Menu as below, with the first item H-position(📏) highlighted.


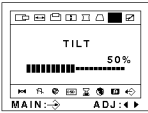

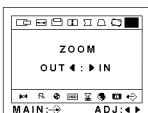

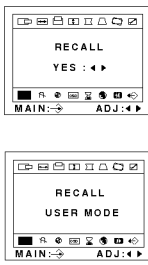

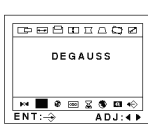

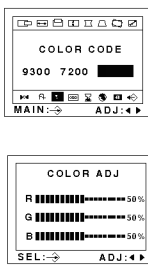
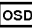
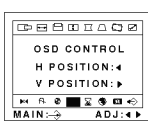







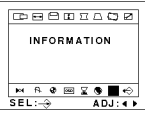

## On Screen Display(OSD) Selection and Adjustment

You were introduced to the procedure of selection and adjusting an item using the OSD system.

Listed below are the icons, icon names, and icon descriptions of the items that are shown on the Menu.

Symbol	OSD	Description
 <b>Horizontal Position</b>		To move picture image left and right. ◀ Moves the screen image left. ▶ Moves the screen image right.
 <b>Horizontal Size</b>		To adjust image width. ◀ Decreases the size of the screen image. ▶ Increases the size of the screen image.
 <b>Vertical Position</b>		To move image up and down. ◀ Moves the screen image up. ▶ Moves the screen image down.
 <b>Vertical Size</b>		To adjust image height. ◀ Decreases the size of the screen image. ▶ Increases the size of the screen image.
 <b>Side Pincushion</b>		To correct the bowing in and out of the image. ◀ Curves the image's edges inwards. ▶ Curves the image's edges outwards.
 <b>Trapezoid</b>		To correct geometric distortion. ◀ Makes the screen image narrower at the top. ▶ Moves the screen image wider at the top.

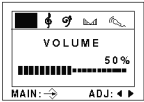
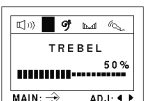
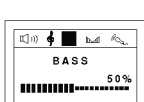
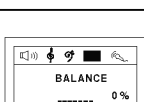

Symbol	OSD	Description
 Tilt		To correct image rotation. <ul style="list-style-type: none"> <li>◀ Tilts the screen image left.</li> <li>▶ Tilts the screen image right.</li> </ul>
 Zoom Adjust		To adjust Horizontal and Vertical image size simultaneously. <ul style="list-style-type: none"> <li>◀ Smaller the image size.</li> <li>▶ Bigger the image size.</li> </ul>
 Mode Recall		If the monitor is operating in a factory preset mode, this control will reset the image to the factory preset mode.  If the monitor is operating in a user mode, this control has no effect.
 Degauss		Used to demagnetize the picture to give a more accurate image and color.
 Color Select		To select color temperature, 9300 °K/ 7200 °K/ user. <ul style="list-style-type: none"> <li>◀ Decreases the amount of color in the image.</li> <li>▶ Increases the amount of color in the image.</li> </ul>
 OSD Adjust		To correct OSD image's Horizontal position and Vertical position. <ul style="list-style-type: none"> <li>◀ Moves the horizontal position.</li> <li>▶ Moves the vertical position.</li> </ul>

Symbol	OSD	Description
 <b>OSD Time</b>		To select OSD display time (seconds).
 <b>Language Select</b>		To choose the language in which the control names are displayed.
 <b>Mode Information</b>		To inform users of preset and user mode data.
 <b>Exit</b>		To disappear of the OSD on the screen.

## Sound Selection and Adjustment (🔊) )

You were introduced to the procedure of selection and adjusting an item using the OSD system.

Listed below are the icons, icon names, and icon descriptions of the items that are shown on the main Menu.

Symbol	OSD	Description
🔊 Volume		Raises or lowers audio level.
🎵 Treble		Raises or lowers treble level.
🎵 Bass		Raises or lowers Bass level.
📏 Balance		Changes balance of left/right speaker level.
🔇 MIC Mute		Enables or disables microphone usage.

## **General Operation**

After following the general installation directions and reviewing the section on control layout and function, you are ready to power-up and operate the monitor.

1. Turn on the monitor by pressing the power button once. The monitor's power indicator will light Green or Amber.
2. Turn on the PC.
3. After booting (the PC power-up sequence and initialization) the power LED on the monitor should be illuminated Green. If not, check the connections and the trouble-shooting section of this manual.
4. While looking at the image on the screen, select the image control icons Main Menu and press the ◀ or ▶ buttons for the image adjustment you prefer.



## Power Management System

This monitor incorporates new circuitry for lowering energy usage during idle time, following the Display Power Management Signalling (DPMS) guide lines of the Video Electronics Standards Association (VESA), and is certified as exceeding the EPA's Energy Star program for reduced power usage.

For the power savings feature to operate, the monitor must be used with either a PC having power saving circuitry. The monitor has three power-saving states, and the power saving operation is indicated by the power indicator on the front panel.

When the power indicator is green, operation is normal. When the power indicator is Amber, the monitor is in a power saving mode.

If the power indicator is Amber, press the power button to turn on the monitor. If the power indicator is Amber and you wish to use the PC again, move your mouse pointer or touch a keyboard button. When the monitor is not in use, save energy by turning it off.

## Image Adjustment

This monitor has a microprocessor-based On Screen Display (OSD) control system for adjusting the following items: Sound, Horizontal width, horizontal position, vertical height and position, side pincushion and trapezoid, zoom, Rotation, and color levels. When you make adjustments to any of the above items, the microprocessor will automatically memorize the adjustments you made. Your settings will be maintained even if you turn off the monitor and turn it on again at some later time.

**NOTE:** The only time you may need to adjust the image settings again is in the event you change video modes (for example, you may go from a 640x480 video mode in DOS to an 800x600 video mode for windows). In this event, you may need to adjust the image controls again to meet the image display you desire. Now the microprocessor will memorize the new image settings you made in the 800x600 video mode, having already stored your 640x480 image settings before. From now on, when you switch between a 640x480 mode and an 800x600 mode, the monitor will recall each of the specific image settings you made in each of these modes. More on image memory modes in the video memory modes section.

### To adjust the OSD controls:

- 1) Press an image select button (◀ or ▶) to highlight an item you wish to adjust.
- 2) Press either the ◀ or ▶ button to adjust the image. A display for that item will show the item level and effect of pushing the ◀ or ▶ keys.
- 3) To adjust other controls, repeat above steps 1) and 2).
- 4) Any image adjustments you make will be stored automatically in the monitor's memory.

**NOTE** : Most menus will disappear after 5 or 6 seconds. In order to adjust an item's level, the item's OSD must still be shown on-screen.

### Video Memory Modes

This multi-synchronous auto-scanning monitor can automatically detect and display several video modes falling within the monitor's scanning range of 30-65KHz Horizontal and 50-110Hz Vertical. In the PC area, this relates to a maximum flicker-free usable resolution of 1280x1024 at a non-interlaced refresh rate of 60Hz Vertical.

For convenience, the monitor has a 35 mode memory, of which 7 modes come from the factory preset to popular video modes as described below.

Mode	Display Mode	Horizontal Frequency	Vertical Frequency	Polarity		Comments
				Horiz sync	Verti sync	
1	VGA2 720 x 400	31.47 KHz	70 Hz	-	+	Factory fixed, but may be updated by user's setting.
2	VGA3 640 x 480	31.47 KHz	60 Hz	-	-	
3	VESA 640 x 480	37.50 KHz	75 Hz	-	-	
4	VESA 800 x 600	46.88 KHz	75 Hz	+	+	
5	VESA 1024 x 768	56.48 KHz	70 Hz	-	-	
6	VESA 1024 x 768	60.02 KHz	75 Hz	+	+	
7	VESA 1280 x 1024	63.98 KHz	60 Hz	+	+	

Modes15-35 are empty and can accept new video data.

If the monitor detects one of the above signals from your computer's video card, it will recall that mode and any stored image adjustments you may have made before. If the monitor detects a new video mode that had not been present before or is not one of the above listed factory presets, it will store a new mode automatically in one of the blank (empty) memory modes (in this example, mode 15). When you now adjust the OSD controls to your preference, these image settings will also be stored in mode 15. Whenever your video card or PC switches to the mode that the monitor recognizes as mode 15, your personal image settings will also be recalled.

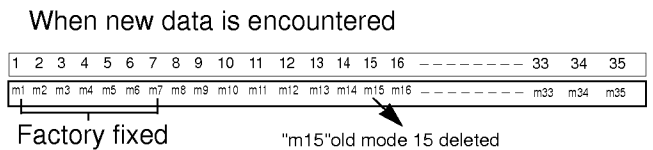
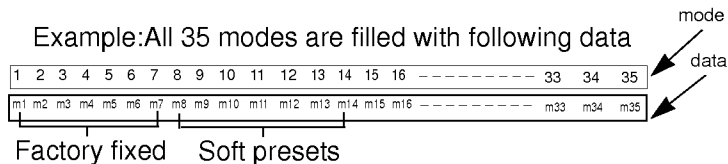
**A note about the video memory modes:**

There is a total of 35 video memory modes, generally more modes than you will use at any one time. Of these 35 modes, 7 are permanent, factory fixed modes that cannot be changed, and another 7 are set at the factory, but may be overwritten to make more room. The remaining 21 modes are left blank (empty). If you use up the 21 blank modes and still have more new video modes, the monitor will store information in the other 7 soft preset modes for the new mode storage. If additional new modes are encountered, the monitor will delete the lowest memory mode and add the new mode.

If you use a video card that has a number of resolutions and frequencies that do not correspond to any of the monitor video modes set at the factory, here's what will happen:

- 1) As the monitor encounters new video data, if you adjust the image control icons, the monitor will save the new information in the next available empty mode (mode 15 if this is the first new data encountered).
- 2) If you have used up modes 15-35 with 21 new video modes, and the monitor encounters another mode (36th mode), it will store the new data in mode 15 and the old data of mode 15 is deleted.

In addition, If the monitor encounters 37th new video data, the old data of mode 16 is deleted and 37th data will replace the mode 16, with above method, when this monitor encounters new mode, it can update from mode 15 to mode 35 sequentially and continuously.



Because the monitor is designed this way, you will always have the most recent 28 video modes generated by your graphics card available with your own image settings recalled automatically.

### **Microphone Operation**

On the left side there is a MIC (Microphone) jack. By plugging a microphone in here, it may reduce the long length of cable needed to reach the PC's sound card. In order to use this MIC jack, you need to use a cable (supplied) to plug into the rear of the monitor (MIC OUT) and into the MIC input jack of your sound card (if available).

### **Audio Features**

A major feature of this monitor is its built-in audio system. This conveniently integrates a stereo audio amplifier and speakers without taking up any more space. Because the monitor is designed like this, you can easily upgrade to audio capable multimedia applications by attaching your PC with sound card to the back of this monitor. It will result in significantly less cabling and space requirements.

### **Audio Connections**

Use the supplied cable to attach to the rear of the monitor (AUDIO IN) and to the sound card in your PC (line out). The cable will carry both left and right channel signals in one wire. Make sure when you use the PC to turn up the volume of the sound card all the way.

## **Low Radiation Compliance (MPR II)**

This monitor meets one of the strictest guidelines available today for low radiation emissions, offering the user extra shielding and an anti-static screen coating. These guidelines, set forth by a government agency in Sweden, limit the amount of emission allowed in the Extremely Low Frequency (ELF) and Very Low Frequency (VLF) electromagnetic range.

## **Self Diagnostics**

This monitor can sense when there is a possible problem present, and informs you of this condition by presenting you with a **Self Diagnostics** OSD. This OSD may pop up when it is **On** but no signal is detected. In this case the message CHECK S/CABLE will be high lighted, alerting you to check the signal cable connections.

## **DDC (Display Data Channel)**

DDC is a communication channel over which the monitor automatically informs the host system (PC) about its capabilities. This monitor has three DDC function; DDC1, DDC2B, and DDC2AB. DDC1 and DDC2B carry out uni-directional communication between the PC and the monitor. Under these situations, the PC sends display data to the monitor but not commands to control the monitor settings. DDC2AB has the function of bi-directional communication. For example, the PC can fetch screen data from monitor and adjust the screen with the PC keyboard.

NOTE: PC must support DDC functions to do this.

## Troubleshooting

**Symptom:** Self diagnostics message.

**Possible causes:**

- The signal cable is not connected.

**Symptom:** The power LED is illuminated orange or blinking orange.

**Possible causes:**

- Display power management mode.
- There is no sync signal.
- The signal cable is not fastened securely.
- Check the computer power and graphics adapter configuration.
- The frequency of the sync input is outside the operating range of the monitor.

HORZ: 30KHz-65KHz

VERT: 50Hz-110Hz

The signal cable is incorrectly configured or connected. Refer to Signal connector pin assignment on page 21 for reference.

**Symptom:** The image on the SCREEN is not centered, or too small, or not a rectangle shape.

**Possible Causes:** Image adjustment not been done yet in the current operating mode. Use the SELECT and ◀ or ▶ buttons to set the image to your liking.

**Symptom:** The monitor doesn't enter the power saving off mode (blinking orange LED).

**Possible Causes:** Computer video signal is not VESA DPMS standard. Either the PC or the video controller card is not using the VESA DPMS power management function.

## **Service**

1. Unplug the monitor from the wall outlet and refer servicing to qualified service personnel when :
  - The power cord or plug is damaged or frayed.
  - Liquid has been spilled into the monitor.
  - The monitor has been exposed to rain or water.
  - The monitor does not operate normally following the operating instructions. Adjust only those controls that are covered in the operating instructions. An improper adjustment of other controls may result in damage and often requires extensive work by a qualified technician to restore the monitor to normal operation.
  - The monitor has been dropped or the cabinet has been damaged.
  - The monitor exhibits a distinct change in performance.
  - Snapping or popping from the monitor is continuous or frequent while the monitor is operating. It is normal for some monitors to make occasional sounds when being turned on or off, or when changing video modes.
2. Do not attempt to service the monitor yourself, as opening or removing covers may expose you to dangerous voltage or other hazards. Refer all servicing to qualified service personnel.
3. When replacement parts are required, have the service technician verify in writing that the replacements used have the same safety characteristics as the original parts. Use of manufacturer specified replacements can prevent fire, shock, and other hazards.
4. Upon completion of any service or repairs to the monitor, ask the service technician to perform the safety check described in the manufacturer's service manual.
5. When a video monitor reaches the end of its useful life, improper disposal could result in a picture tube implosion. Ask a qualified service technician to dispose of the monitor.

## Specifications

### Sync signal types

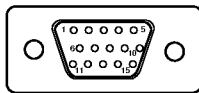
Type	Green video	H. sync	V.sync
separate sync	Video	H. sync	V. sync

(N.C : no connection)

### D P M (Display Power Management)

MODE	H.sync	V.sync	Video	Power Consumption	LED Color
Normal	On	On	On	≤ 120W	Green
Stand-by	Off	On	Off	≤ 15W	Amber
Suspend	On	Off	Off	≤ 15W	Amber
Off	Off	Off	Off	≤ 5W	Amber

### Signal connector pin assignment



Pin	Separate Sync
1	Red
2	Green
3	Blue
4	Ground
5	Self-Test
6	Red Ground
7	Green Ground
8	Blue Ground
9	NC
10	Ground
11	Ground
12	SDA
13	Horiz.Sync
14	Vert.Sync
15	SCL



## **Specifications**

### **Picture tube**

17 inch (15.7 inches viewable) FST, Non-glare, 90 degree deflection,  
Darkface, 0.28 mm dot pitch

### **Sync Input**

Horizontal Freq. : 30KHz - 65 KHz (Automatic)  
Vertical Freq. : 50Hz - 110Hz (Automatic)  
Input Form : Separate, TTL, positive/negative  
Signal input : 15 pin D-Sub connector

### **Video Input**

Display Area: 11.8" x 8.9" / 300 x 225mm  
Input Form : Separate, RGB Analog, 0.7 Vp-p/75 ohm, positive  
Resolution : 1280 x 1024, 60Hz

### **Audio**

RMS Audio Output : 4 W (R+L)  
Input Sensitivity : 0.7 Vrms  
Built-in MIC : E.C.M type (Electret Condenser Microphone)

**Power Consumption:** 120 Watts max  
15 Watts suspend mode, stand-by mode  
5 Watts DPMS-Off mode

### **Power input**

100-240VAC 50/60Hz 2.0A

### **Dimensions ( W x H x D )**

465 x 442 x 436mm/18.3 x 17.4 x 17.2 inches

### **Weight ( net )**

19.5 (42.9 lbs)

Information in this document is subject to change without notice and does not represent a commitment on the part of LG Electronics Inc.

## GOLDSTAR MONITOR LIMITED WARRANTY

LG Electronics U.S.A., Inc. will repair or at its option replace, without charge, your product which proves to be defective in material or workmanship under normal use, during the warranty period listed below from the date of original purchase. **This warranty is good only to the original purchaser of the product during the warranty period as long as it is in the U.S. including Alaska, Hawaii and U.S. Territories**

### WARRANTY PERIOD

<u>MODEL #</u>	<u>LABOR</u>	<u>PARTS</u>	<u>HOW SERVICE IS HANDLED</u>
	3 YEARS	3 YEARS	Call 1-800-243-0000, 24 hrs. a day, 7 days per week, please have your product type (Monitor, TV, VCR) and ZIP code ready.
		<u>CRT</u> 3 YEARS	

No other express warranty is applicable to this product. **THE DURATION OF ANY IMPLIED WARRANTIES, INCLUDING THE IMPLIED WARRANTY OF MERCHANTABILITY, IS LIMITED TO THE DURATION OF THE EXPRESS WARRANTY HEREIN. LG ELECTRONICS U.S.A., INC. SHALL NOT BE LIABLE FOR THE LOSS OF THE USE OF THE PRODUCT, INCONVENIENCE, LOSS OR ANY OTHER DAMAGES, DIRECT OR CONSEQUENTIAL, ARISING OUT OF THE USE OF, OR INABILITY TO USE, THIS PRODUCT OR FOR ANY BREACH OF ANY EXPRESS OR IMPLIED WARRANTY, INCLUDING THE IMPLIED WARRANTY OF MERCHANTABILITY APPLICABLE TO THIS PRODUCT.**

Some states do not allow the exclusion or limitation of incidental or consequential damages or limitations on how long an implied warranty lasts, so these limitations or exclusions may not apply to you. This warranty gives you specific legal rights and you may also have other rights which vary from state to state.

### THE ABOVE WARRANTY DOES NOT APPLY:

- To damages or problems which result from delivery or improper installation.
- To damages or problems which result from misuse, abuse, accident, alteration, or incorrect electrical current or voltage.
- To service calls, which do not involve defective workmanship or material, such as head cleaning and expaining the operation of the unit.

**Therefore these costs are paid by the consumer.**

### CUSTOMER ASSISTANCE NUMBERS:

<b>To Prove Warranty Coverage:</b>	→ →	<b>Retain your Sales Receipt to prove date of purchase.</b> Copy of your Sales Receipt must be submitted at the time warranty service is provided.
<b>To Obtain Product or Customer Assistance:</b>	→	Call 1-800-243-0000 (Mon-Fri 8am-5pm CST) Push Appropriate Menu Code.
<b>For Your Nearest Authorized Service Center:</b>	→	Call 1-800-243-0000, 24 hrs a day, 7 days per week, please have your product type (Monitor, TV, VCR) and ZIP code ready.
<b>All Customers In Canada Please Call</b>	→	(905)-670-0650

# COLOR MONITOR OWNER'S MANUAL

Please carefully read this manual  
before attempting to operate your monitor.

**MODEL : StudioWorks 7D**

P/NO : 3828TUL003M (S-9611)





