



Room Air Conditioner **OWNER'S MANUAL**

Please read the operating instructions and safety precautions carefully and thoroughly before installing and operating your room air conditioner.

Prior to installation, this air-conditioning unit must be submitted for approval by the utility service which provides electricity (EN 60555-3 Norm).

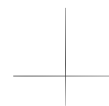
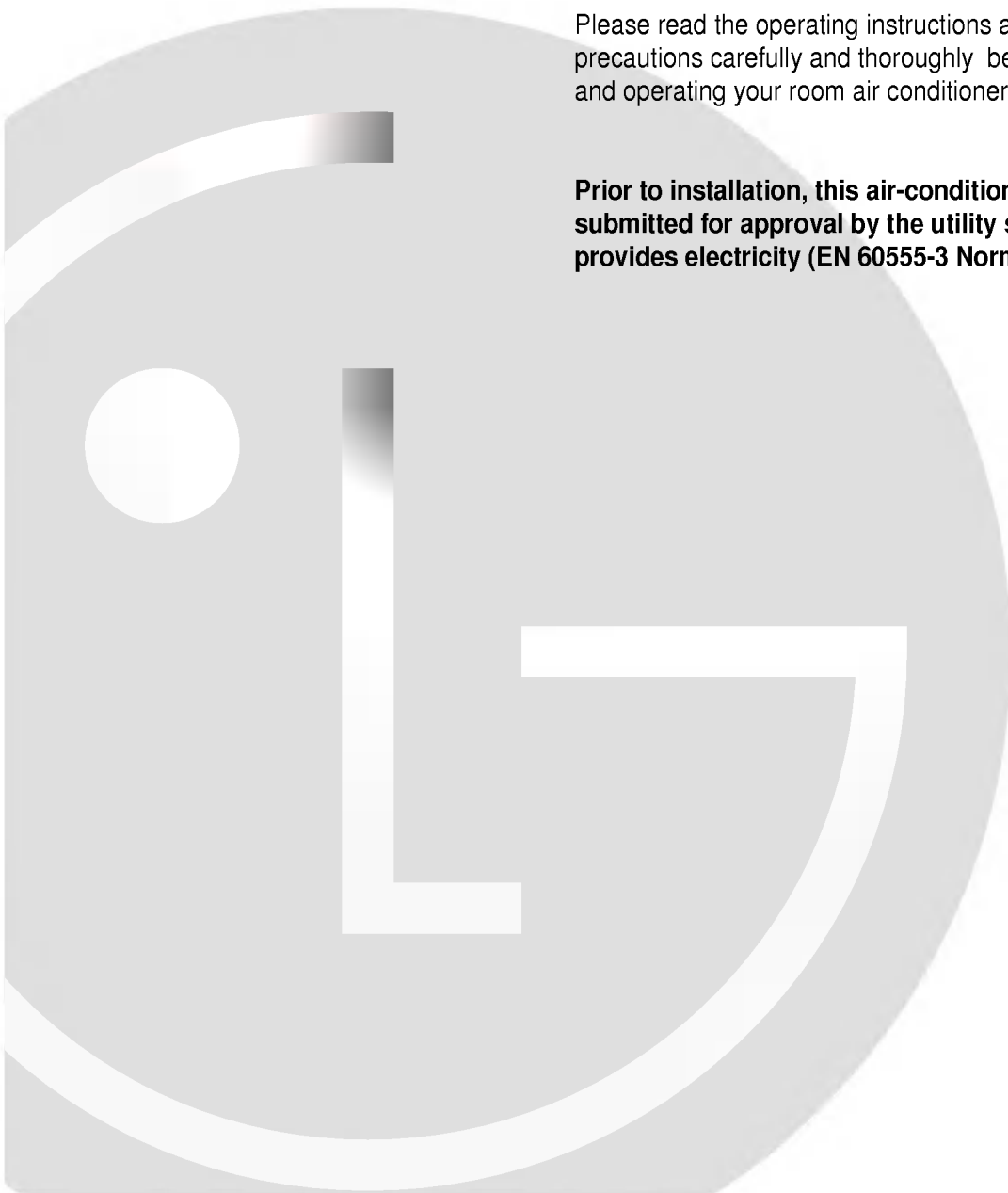
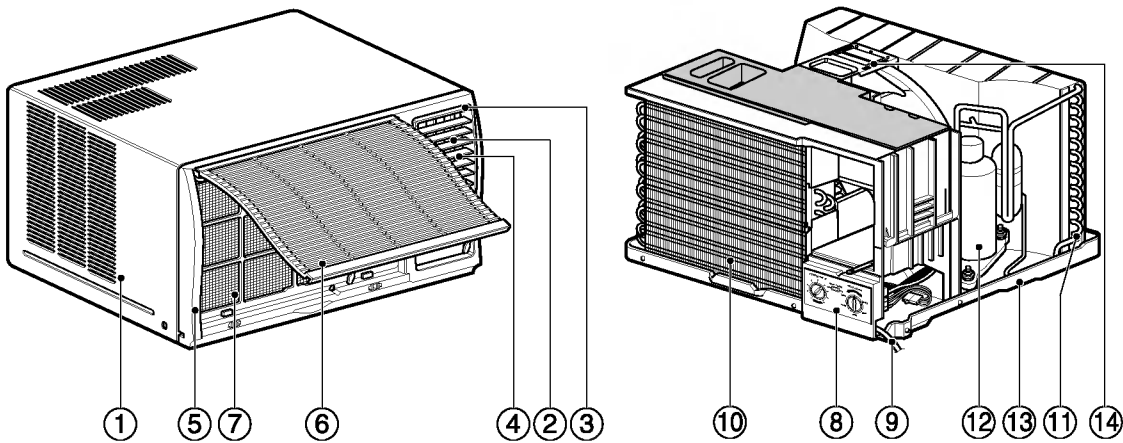


TABLE OF CONTENTS

FEATURES	2
OPERATING	3
FUNCTION	3
VENTILATION	4
TO CONTROL AIR DIRECTION	4
HOW TO USE DRAIN	5
HOW TO ATTACH DRAIN PAN	5
AIR FILTER CLEANING	6
HOW TO ATTACH FRONT GRILLE TO CABINET	6
BEFORE REQUESTING SERVICE	7
SAFETY PRECAUTIONS	8

FEATURES



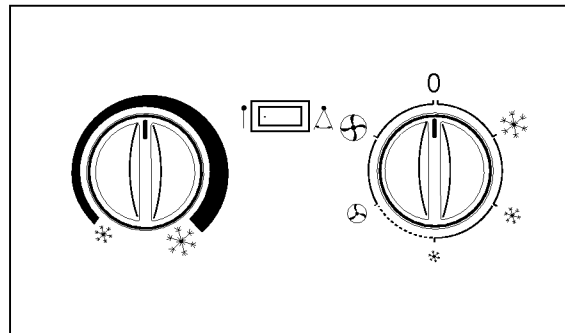
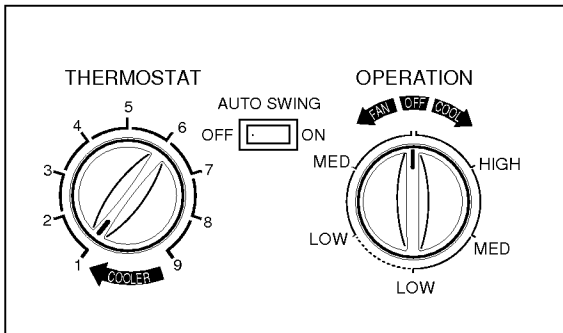
- | | |
|--|-------------------|
| 1. CABINET | 17. AIR FILTER |
| 2. HORIZONTAL AIR DEFLECTOR
(VERTICAL LOUVER) | 18. CONTROL BOARD |
| 3. VERTICAL AIR DEFLECTOR
(HORIZONTAL LOUVER) | 19. POWER CORD |
| 4. AIR DISCHARGE | 10. EVAPORATOR |
| 5. FRONT GRILLE | 11. CONDENSER |
| 6. AIR INTAKE
(INLET GRILLE) | 12. COMPRESSOR |
| | 13. BASE PAN |
| | 14. BRACE |

OPERATING

• CAUTION

When the air conditioner has been performing its cooling operation and is turned off or set to the fan position, wait at least 3 minutes before resetting to the cooling operation again.

FUNCTION



• THERMOSTAT

Thermostat will automatically control the temperature of the room. Select higher number for lower room temperature. The temperature is selected by turning the knob to the desired position.

The **5** or **6** position is a normal setting for average conditions.

• AUTO SWING

ON (Δ) : Air swing is operated while OPERATION knob is set to the COOL position.

OFF (\uparrow) : Stops the operation of air swing.

• OPERATION

OFF (0) : Turns the air conditioner off.

MED FAN (\oplus) : Permits the medium fan speed operation without cooling.

LOW FAN (\odot) : Permits the low fan speed operation without cooling.

HIGH COOL (\ast) : Permits cooling with the high fan speed operation.

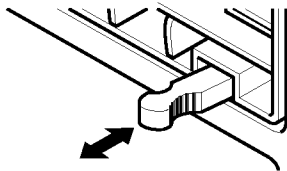
MED COOL (\ast) : Permits cooling with the medium fan speed operation.

LOW COOL (\ast) : Permits cooling with the low fan speed operation.

VENTILATION

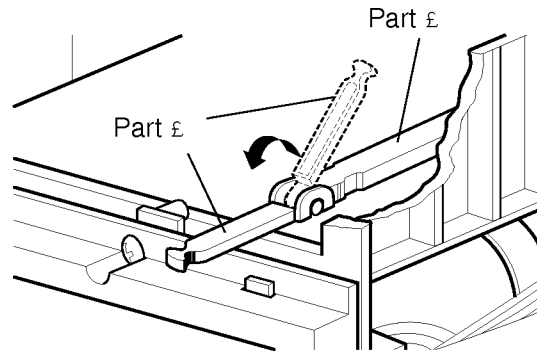
The ventilation lever must be in the CLOSE position in order to maintain the best cooling conditions.

When fresh air is necessary in the room, set the ventilation lever to the OPEN position. The damper is opened and room air is exhausted.



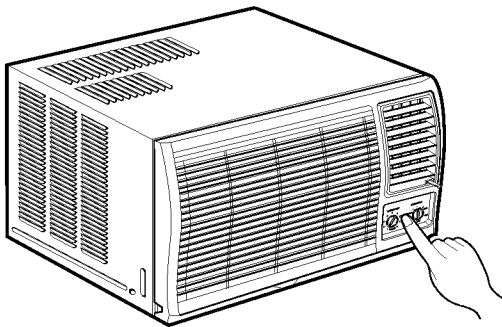
CLOSE  VENT  OPEN

NOTE: Before using the ventilation feature, make the lever, as shown. First, pull down part ϵ to horizontal line with part ϵ .



TO CONTROL AIR DIRECTION

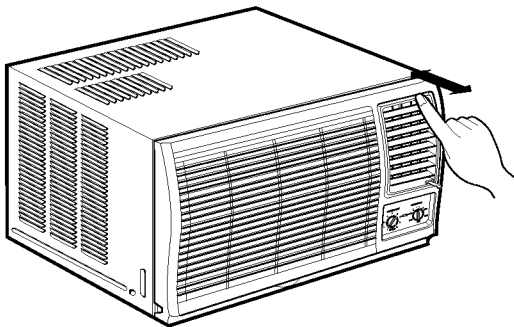
The direction of air can be controlled wherever you want to cool by adjusting the horizontal louver and the vertical louver.



- **HORIZONTAL AIR-DIRECTION CONTROL**

To control horizontal direction of air flow, set to the ON position the air-swing switch and the air flow will be swept horizontally by the automatic air-swing system.

If you want to stop the air flow from moving, switch off the air swing switch at the desired position of the vane.



- **VERTICAL AIR-DIRECTION CONTROL**

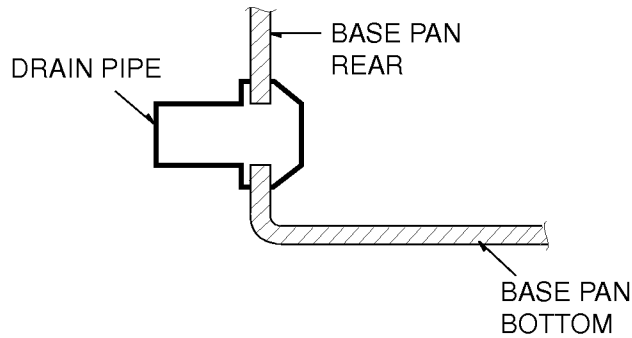
The vertical air direction is adjusted by moving the horizontal louver.

HOW TO USE DRAIN

First, be sure to insert the drain pipe into base pan before installation.

The air conditioner must be installed with a slight tilt to the outside for proper water drainage.

Generally the air conditioner may drain condensation through the drain pipe. (See description)



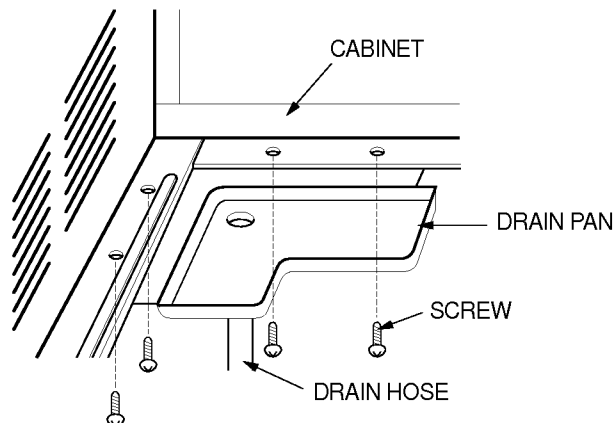
HOW TO ATTACH DRAIN PAN

The air conditioner employs a proper drain method whereby the condensate water (moisture removed from the air) is drained to the outside.

In very humid weather, (and for reverse cycle models in the reverse mode) excessive condensate water removed from the air may cause some water to collect. To remove this excess water you can install the drain pan as detailed below.

1. Take the drain pan which is located in the air discharge or on the barrier.
2. Remove the hole rubber from the base-pan(for some models).
3. Install the drain pan to the left corner of the cabinet with 4 (or 2) screws.
4. Connect the drain hose to the outlet located at the bottom of the drain pan.

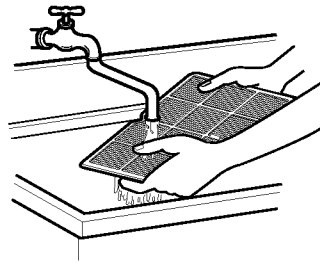
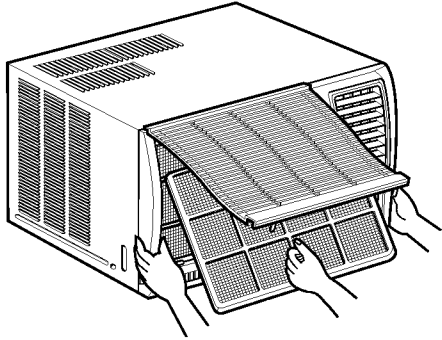
You can purchase the drain hose or tubing locally to satisfy your particular needs.(Drain hose is not supplied)



AIR FILTER CLEANING

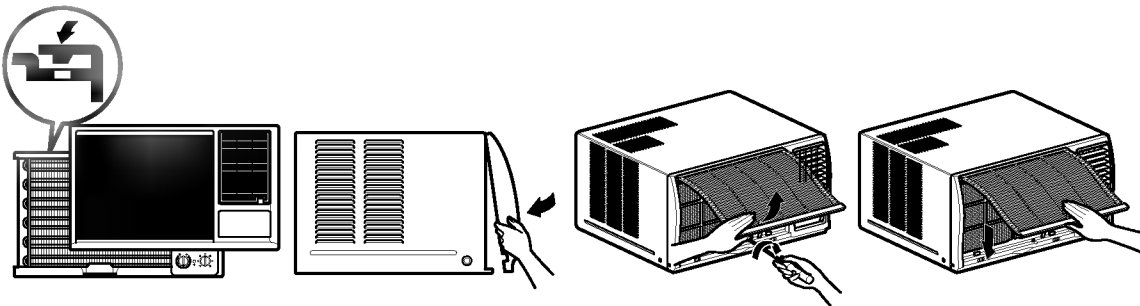
The air filter should be checked at least twice a month to see if cleaning is necessary. Trapped particles in the filter will build up and block the airflow. This reduces the cooling capacity and also causes an accumulation of frost on the cooling coils.

1. Open the inlet grille upward by pulling out the bottom of the inlet grille.
2. Remove the air filter from the front grille assembly by pulling the air filter up slightly.
3. Wash the filter using lukewarm water below 40°C(104°F).
4. Gently shake the excess water from the filter completely. Replace the filter.



HOW TO ATTACH FRONT GRILLE TO CABINET

1. Pull down front grille from the cabinet top.
2. Push front grille's tips toward the cabinet in order to insert front grille's tabs into the cabinet.
3. Open the inlet grille.
4. Tighten the screw through the front grille into the base pan.
5. Close inlet grille.



BEFORE REQUESTING SERVICE

When you find something wrong with your room air conditioner, please check carefully referring to the following items. If you can't find out the causes of trouble, get into contact with your dealer.

A. WHEN THE AIR CONDITIONER CANNOT OPERATE;

1. Is the air conditioner plugged into the receptacle properly?
2. Is there a local power failure?
Try another electrical product.
3. Has the air conditioner been accidentally switched off?
4. Is the circuit overloaded by other devices on the same line?
5. At cooling condition:
Is the thermostat set too high temperature (the lowest number position of the pannel) compared with the temperature of indoor?

B. AIR CONDITIONER RUNS, BUT DOES NOT COOL SUFFICIENTLY;

1. Is the operation switch set properly?
2. Is the thermostat control set properly to provide the desired temperature?
3. Are there too many people than the usual number in the room?
4. Is the air circulation impeded by drapes, furniture, etc., or by an improper vane setting?
5. Are the doors or windows open, or is there an unusual heat source in the room?
6. Is the ventilation damper closed for maximum cooling?
7. Is the air filter clean so that it will not obstruct the air flow?

NOTE

SPLASH PROOF: The outdoor side of this appliance is splash proof and the indoor side is ordinary.

SAFETY PRECAUTIONS

- This air conditioner must be properly installed before it is used.
- Repair or replace immediately all electric service cords that have become frayed or otherwise damaged.
- Turn the mode control to **0 (OFF)** and unplug your air conditioner before making any repairs.

NOTE

We strongly recommend that all services should be performed by a qualified individual.

- **Do not pull out the power cord.**

Damage to the cord may result in serious electrical shock.

- **Do not use the air conditioner for purposes other than cooling the room.**

Do not use the air conditioner for other purposes, such as drying clothes, preserving foods, or cultivating vegetables.

- **Do not block the air intake and outlet vents.**

This causes lowered performance and irregular operation. Do not insert sticks or other objects into these vents as it is dangerous to touch the electric components and the fan.

- **Select the most appropriate temperature.**

Take care to adjust the temperature to suit the conditions. Rooms occupied by young infants, the elderly, or invalids should be kept at an appropriate temperature.

- **Do not use heating apparatus in the vicinity.**

The air conditioner's plastic parts may melt if exposed to excessive heat.

- **Avoid exposing the body directly to a continuous unidirectional cool airflow for long periods.**

This is not good for your health.

