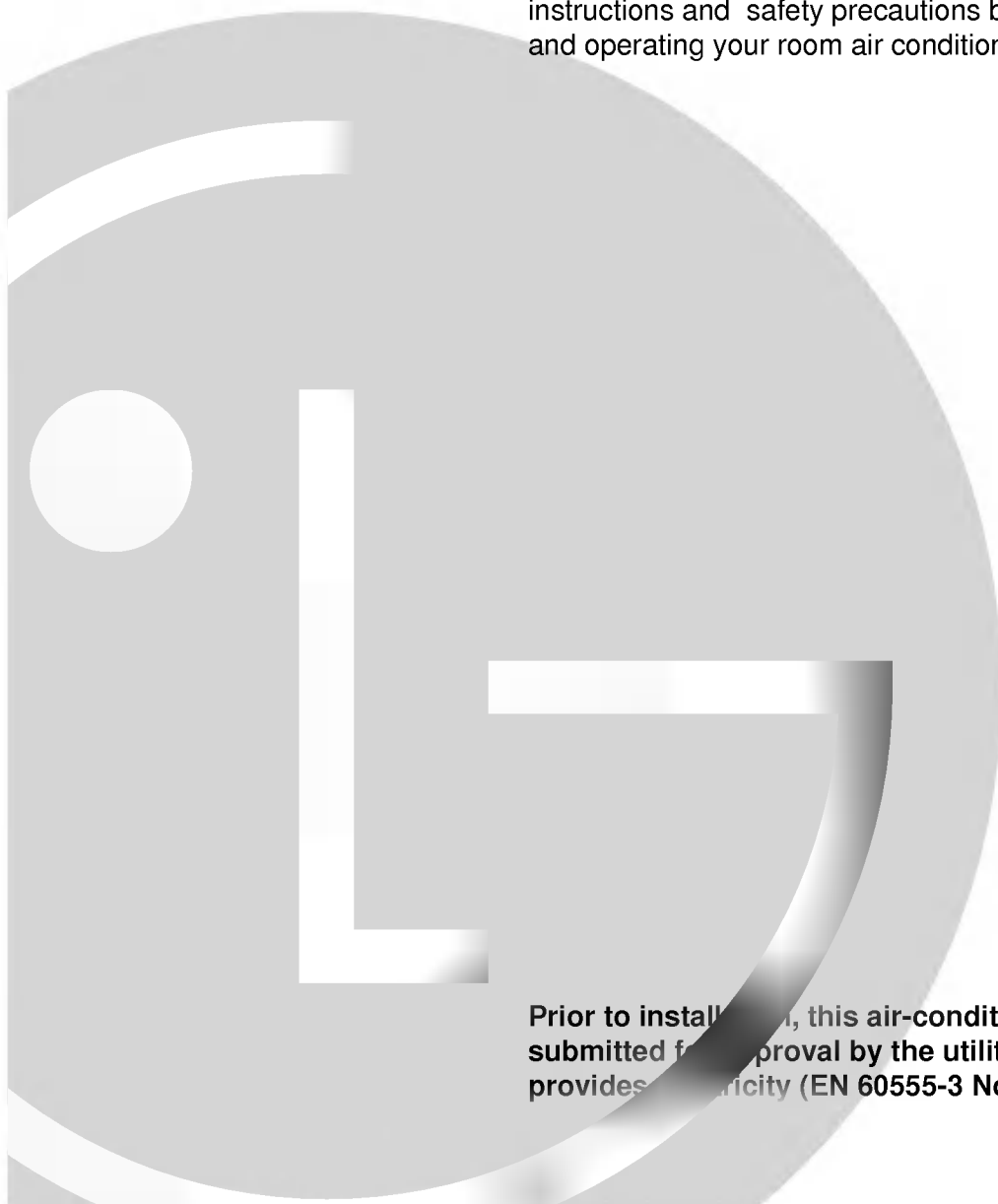




Room Air Conditioner OWNER'S MANUAL

Please read carefully and thoroughly the operating instructions and safety precautions before installing and operating your room air conditioner.



Prior to installation, this air-conditioning unit must be submitted for approval by the utility service which provides electricity (EN 60555-3 Norm).

TABLE OF CONTENTS

NAME OF MAJOR COMPONENTS2

HOW TO USE.....3~4

 CONTROLS

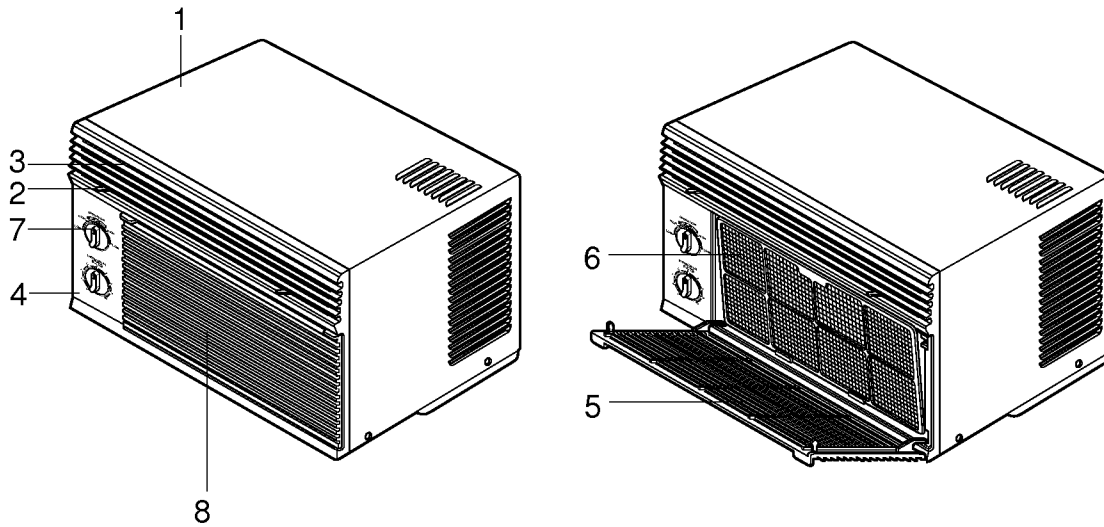
 OPERATING INSTRUCTIONS

 CARE AND MAINTENANCE

BEFORE CALLING FOR SERVICE5~6

INSTALLATION INSTRUCTIONS.....7

NAMES OF MAJOR COMPONENTS



- 1. CABINET
- 2. HORIZONTAL AIR DEFLECTOR
- 3. COOL AIR DISCHARGE
- 4. FRONT GRILLE

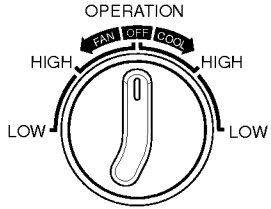
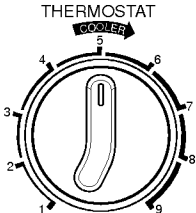
- 5. INLET GRILLE
- 6. AIR FILTER
- 7. KNOB
- 8. AIR INTAKE

HOW TO USE

Controls


CAUTION

After switching the air conditioner from COOL to OFF or FAN, wait at least 3 minutes before switching it back to COOL.


	<p>OFF - Turns air conditioner off.</p> <p>HIGH FAN - High speed fan operation without cooling</p> <p>LOW FAN - Low speed fan operation without cooling</p> <p>HIGH COOL - Cooling with high speed fan operation</p> <p>LOW COOL - Cooling with low speed fan operation</p>
	<p>This automatically controls the temperature of the indoor air. Turn the knob so that the arrow points to the larger marks for greater cooling. Point the arrow to the smaller marks for more moderate cooling. (i.e. the higher the number the greater the cooling)</p>

Operating Instructions

f u FOR NORMAL COOLING

1. Turn the OPERATION switch to the HIGH COOL or the LOW COOL setting.
2. Set the THERMOSTAT control to the desired temperature mark  (the mid-point is a good starting position). If the room temperature is not satisfactory after a reasonable time, adjust the control to a cooler or warmer setting, as appropriate.

f u FOR MAXIMUM COOLING

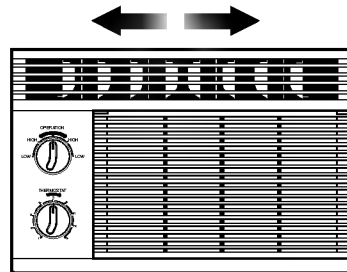
1. Turn the OPERATION switch to the HIGH COOL setting.
2. Set the THERMOSTAT control to the largest  temperature mark.

f u FOR QUIETER OPERATION

1. Turn the OPERATION switch to the LOW COOL setting.
2. Set the THERMOSTAT control as needed.

ADJUSTING THE AIR DIRECTION USING THE HORIZONTAL AIR-DIRECTION CONTROL

Using the Control Taps, the air flow can be directed to the left, right, straight ahead, or any combination of these directions.



Care and Maintenance

TURN THE AIR CONDITIONER OFF AND REMOVE THE PLUG FROM THE POWER OUTLET.

TO CLEAN FILTER

The Air Filter will become dirty as it removes dust from the inside air. It should be washed at least every 2 weeks. If the Air Filter remains full of dust, the air flow will decrease and the cooling capacity will be reduced, possibly damaging the unit.

1. Pull the grille inlet forward grasping both taps, and pull out the air filter. (Fig. 1)
2. Wash the Air Filter in warm 104°F(40°C) water. Be sure to shake off all the water before replacing the filter.

Do not force open or open to far (about 56°)

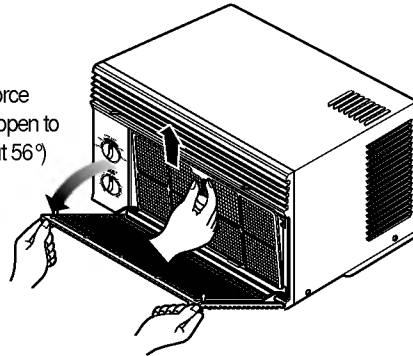


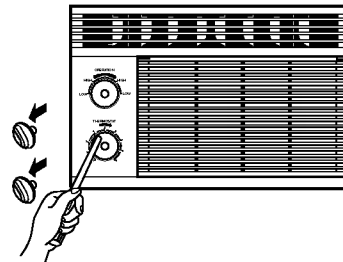
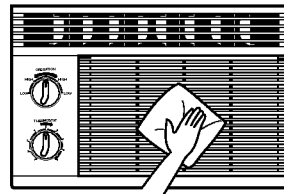
Fig. 1

CLEANING THE AIR CONDITIONER

The front grille and Inlet grille may be wiped with a cloth dampened in a mild detergent solution. (Fig 2) The cabinet may be washed with mild soap or detergent and lukewarm water, then polished with Liquid Wax for Appliances.

To ensure continued peak efficiency, the condenser coils(weather side of unit) should be checked periodically and cleaned if clogged with soot or dirt from the atmosphere.

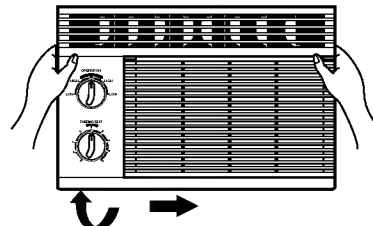
Fig. 2



HOW TO REMOVE THE FRONT GRILLE

1. Remove the thermostat knob and the operation knob by pulling.
2. Remove the screw securing the Front Grille (Fig. 3)
3. Push the grille up from the bottom and pull the top of the grille away from the case as the top taps lift out of their slots. (Fig. 3)

Fig. 3



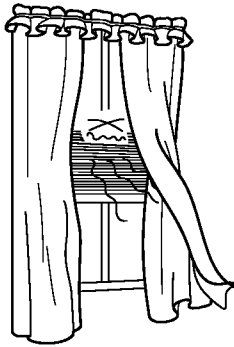
BEFORE CALLING FOR SERVICE

If you find something wrong with your Room Air Conditioner, please check the following points carefully. If you cannot determine the cause of the trouble after checking, please contact your dealer.

A. NOT COOLING AS IT SHOULD

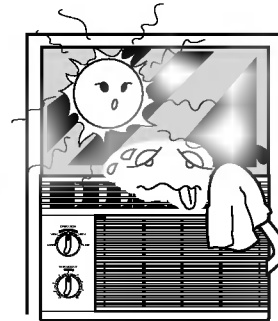
1. Is there anything blocking the front of the air conditioner?

When blocked by curtains, blinds, furniture, etc., the air flow is restricted and cooling performance is affected.

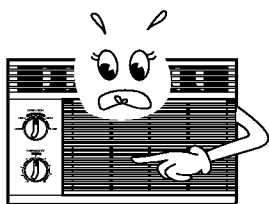


3. Was the room very hot when the air conditioner was first turned on, and has it had time to cool the room down?

When heat is allowed to accumulate in walls, furniture, rugs, and draperies, it will take the air conditioner longer to cool the room. Whenever possible, give the air conditioner a head start before the room heats up.

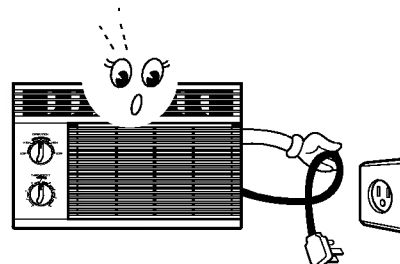


2. Is the temperature(thermostat) set to the highest number?
The highest setting should provide maximum cooling. When in the smaller marks position, the temperature range in the room will vary more than in the cool position.



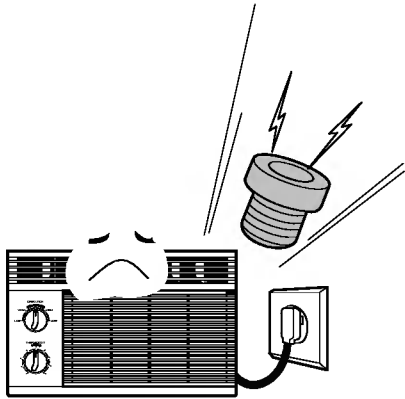
B. WON'T RUN

1. Is the air conditioner plugged in?
The plug might have been accidentally disconnected by a vacuum cleaner, sofa, chair, etc.



-
2. If the unit is plugged in, could there be a blown or loose fuse or tripped circuit breaker?

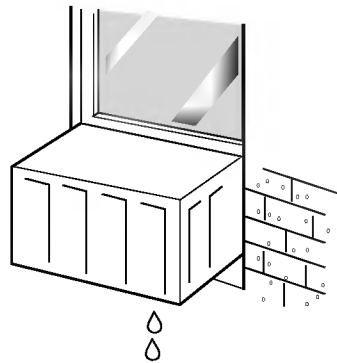
If, when you replace the fuse or reset the circuit breaker, it immediately blows again, call your authorized service man or an Authorized Service Center.



2. WATER DRIPPING OUTSIDE

The air conditioner must be installed level or tilted slightly downward at the back for proper water disposal.

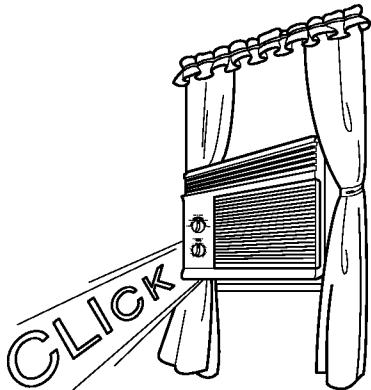
On exceptionally hot and humid days the air conditioner may permit excess water to pass thru the rear drain tube or overflow. This should be considered normal.



C. NOISE

1. THERMOSTAT CLICK

When the compressor cycles on and off a metallic sound may be heard. This should be considered normal.



INSTALLATION INSTRUCTIONS

Installation place

The site where direct sunlight does not fall on your room air conditioner is the most suitable place. At the northern side.

Room air conditioner should be sheltered from the sun, if you install it in the south or the west.

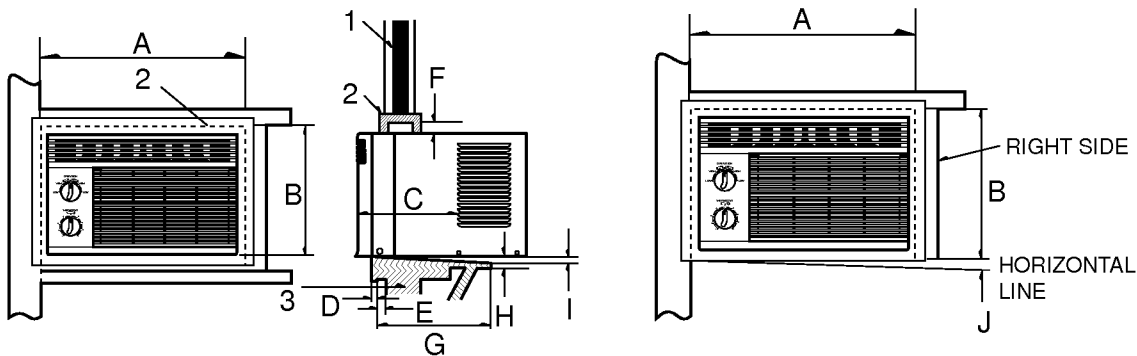
The best location = NORTH, EAST

Bad location = SOUTH, WEST

Power source

1. As the running ampere of the room air conditioner is larger than that of other household appliances, you must check the capacity of wiring and outlet. The outlet should be used exclusively for the room air conditioner. Do not use it with other appliances.
2. Use a 15A time delay fuse.

Opening size



1. WINDOW(WITH-A, HEIGHT-B)
2. GASKET
3. WALL

A	B	C	D	E	F	G	H	I	J
487mm (19 3/16")	324mm (12 3/4")	155mm (6 1/8")	30mm (1 1/16")	0; ≥25mm (0; ≥1")	12mm (1/2")	300; 400mm (11 13/16"; ≥15 13/16")	32mm (1 1/4")	5; ≥10mm (3/16"; ≥3/8")	15; ≥5mm (3/16"; ≥3/16")

Leave a clearance of over 900mm(3 feet) between the back of your room air conditioner and the wall or fence.

1. OVER 900mm(3')
2. ROOM AIR CONDITIONER
3. WALL OR FENCE

