

# CONTENTS

THIS NEW REFRIGERATOR IS MANUFACTURED WITH GREAT CARE AND ACCORDING TO LATEST TECHNIQUES.

WE ARE CONFIDENT THAT YOU WILL BE FULLY SATISFIED WITH ITS PERFORMANCE AND DEPENDABILITY.

BEFORE YOU START USING YOUR REFRIGERATOR, PLEASE READ THIS BOOKLET CAREFULLY.

IT CONTAINS VALUABLE HINTS ABOUT PROPER OPERATION THAT WILL ENSURE TROUBLE FREE USE OF THE REFRIGERATOR FOR MANY YEARS TO COME.

BS PLUG SAFETY DETAILS .....	4
INSTALLATION .....	5
FEATURE CHART .....	6
TEMPERATURE REGULATION.....	7
DEFROSTING .....	7
TECHNICAL AND STRUCTURAL OPERATION FEATURES .....	8
REPOSITIONING THE DOOR HINGE.....	9
IMPORTANT SAFEGUARDS .....	11
CLEANING YOUR REFRIGERATOR.....	11
GENERAL INFORMATION .....	12
CORD, EARTHING INSTRUCTION .....	13
BEFORE CALLING FOR SERVICE .....	14

# BS PLUG SAFETY DETAILS

## IMPORTANT

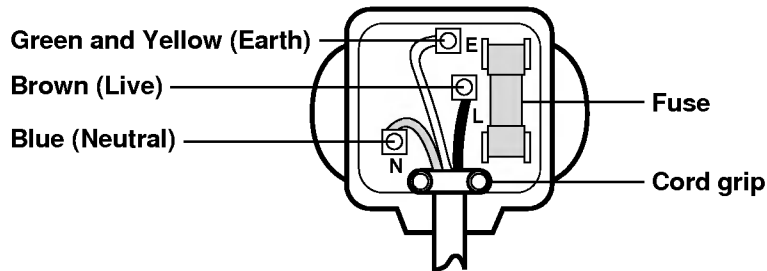
THE WIRES IN THIS MAINS LEAD ARE COLOURED IN ACCORDANCE WITH THE FOLLOWING CODE:

**GREEN AND YELLOW: EARTH**

**BLUE: NEUTRAL**

**BROWN: LIVE**

This appliance must be earthed



As the colours of the wires in the mains lead of this apparatus may not correspond with the coloured markings identifying the terminals in your plug, proceed as follows:

The wire which is coloured Green and Yellow must be connected to the terminal in the plug which is marked with the letter E or by the earth symbol ( $\perp$ ) or coloured Green or Green and Yellow.

The wire which is coloured Blue must be connected to the terminal which is marked with the letter N or coloured Black.

The wire which is coloured Brown must be connected to the terminal which is marked with the letter L or coloured Red.

If a 13 amp (BS 1363) plug is used, fit a 13 amp BS 1362 fuse.

# INSTALLATION

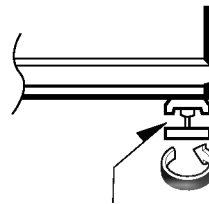
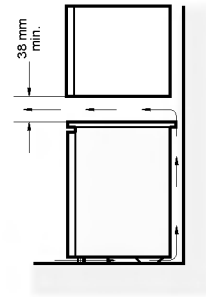
Carefully remove all packing pieces and securing tapes.

The appliance should stand on a firm, level floor.

Adjust the feet to achieve perfect levelling. Do not unscrew too far, otherwise feet will come right out of base.

Ensure that there is sufficient space between the appliance and any overhanging shelves, adjacent walls and other appliances to allow air to circulate around the cabinet, particularly at the back.

The appliance should be located away from direct sources of heat, such as cookers, radiators and direct sunlight.

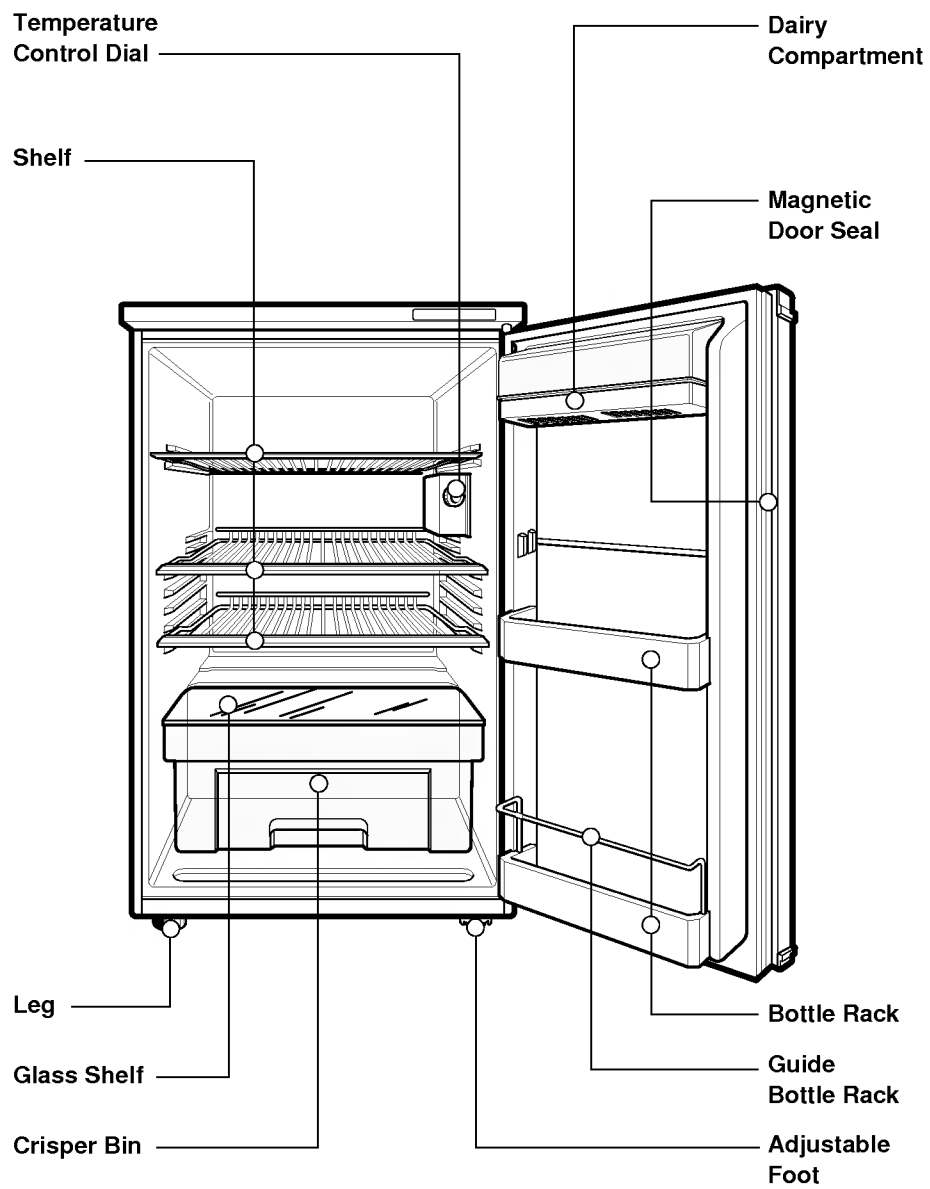


**Adjustable Feet**

To achieve the best performance.

1. Fit the appliance until the air grille is against the wall.
2. Allow at least 38mm(1-1/2 inch) over the appliance and at the both sides of the appliance.

# FEATURE CHART



## **TEMPERATURE REGULATION**

The refrigerator temperature will vary depending on the quantity of food stored and the frequency with which the door is opened, the ambient temperature and the location of refrigerator.

The control dial is marked '0' (off), 1, 2, 3.....7. It allows you to select the desired temperature setting

- Setting '0': Off.
- Setting '1': Highest refrigerator temperature, warmest setting.
- Setting '4': Suitable refrigerator temperature, is the best temperature for the storage of food on the fridge section.
- Setting '7': Lowest refrigerator temperature, coldest setting.

### **DEFROSTING**

Defrosting is carried out automatically.

At intervals a condensation process produces water droplets which are carried away by the gutter at the bottom/back of the appliance.

The fridge should be completely emptied and cleaned periodically.

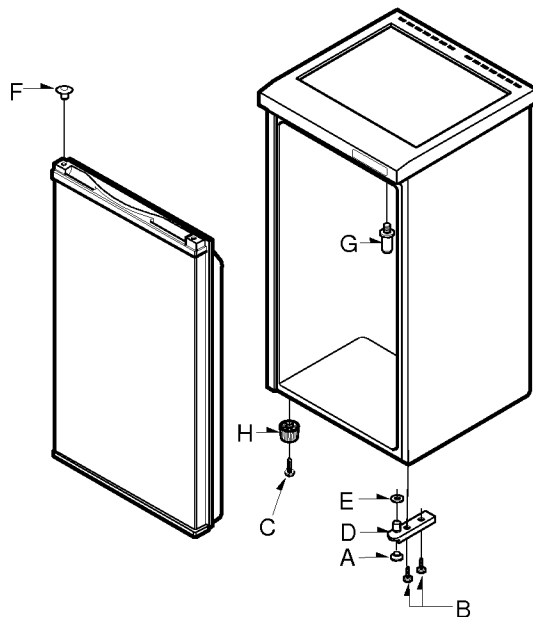
## TECHNICAL AND STRUCTURAL OPERATION

- Hermetically sealed cooling unit with midget 2 pole motor.
- Adjustable thermostat for automatic temperature control.
- Cabinet bonderized and acrylic-enameled according to the most modern electrostatic spraying techniques.
- High-density polyurethane thermal insulation.
- Magnetic door closure gasket.

## REPOSITIONING THE DOOR HINGE

Your Freezer is designed with a reversible door so that it may open from either left or right. It is best to reposition the door hinge as necessary at the outset since it is inconvenient to do so later.

To change the door hinge please refer to the diagram below and proceed as follows:—



1. Remove all loose fittings from inside the appliance.
2. Carefully lay the appliance on its back on the original packing (You will need assistance to achieve this). Take care not to damage the pipework by keeping it clear of the floor.
3. Unscrew and remove the Adjustable Foot (A).
4. Remove the Lower Hinge (D) by unscrewing the 2xBolts (B).
5. Remove the Leg (H) by unscrewing the bolt fixing it (C).
6. Gently pull the door downwards to remove it.
7. Before refitting the door, swap the Hinge Cap (F) by prising it from its current location and repositioning it on the other side of the door. Care should be taken not to damage the adjacent surfaces when removing the Hinge Cap.

## REPOSITIONING THE DOOR HINGE

8. Unscrew the Upper Hinge pin (G) and screw it into the opposite side hole in the top of the cabinet.
9. Now secure the Lower Hinge (D) to the cabinet using the 2xBolts (B).
10. Replace the Adjustable Foot (A), setting it at approximately 20mm.
11. Carefully stand the appliance up, (you will need assistance to do this), and position it in its permanent location.
12. Check that the door opens and closes easily. Ensure that the door seal does not bind on the hinge side creating gaps which would allow air into the interior. Adjust the hinges if necessary.

This appliance should be stood on a firm, level floor with sufficient space for free airflow around it. (At least 10mm all round and, subject to location, 20mm beneath the worksurface). Avoid positions close to walls or corners. There must be sufficient room for free ventilation particularly at the back. The unit should be located away from direct heat sources, such as cookers, radiators and direct sunlight. If the unit is positioned where the temperature is too low, condensation will form on the outside of the cabinet. Normal room temperature is recommended.

Avoid locations which may be affected by draughts or dampness as this will impair the efficiency of the product.



## **IMPORTANT SAFEGUARDS**

- Read all the instructions carefully before using the appliance.
- This refrigerator is for domestic use only.
- Do not use the appliance if it is not operating correctly or has been damaged. Disconnect from the mains supply and ask for a service call.
- Always disconnect from the mains supply when defrosting, cleaning or carrying out maintenance.
- If you are discarding an old refrigerator please ensure that the door catch is made unusable to prevent accidents to young children.

## **CLEANING YOUR REFRIGERATOR**

Before use, the interior surfaces and fittings should be washed with a lukewarm solution of 1 teaspoonful of bicarbonate of soda (not washing soda) in 1 pint (0.5 litres) of water. Do not wash plastic parts in very hot water and do not expose them to heat.

Detergent and soap should not be used as they may leave traces of odour which could contaminate food. Abrasive cleaners should not be used because they may scratch the finish.

Dry thoroughly before use (including fittings as well as the interior).

It is advisable to give the exterior of the cabinet a light coat of wax polish, especially the appliance is located in a garage or outhouse where condensation may form.

## **GENERAL INFORMATION**

### **POWER FAILURE**

Most power failures are corrected in an hour or two and will not affect your Refrigerator temperatures. However, you should minimize the number of door openings while the power is off.

During power failures of longer duration, take steps to protect your frozen food by placing block of dry ice on top of packages.

### **VACATION TIME**

If you will be gone for a month or less, leave the control knobs at their usual settings. During longer absences (a) remove all foods, (b) disconnect from electrical outlet, (c) clean the refrigerator thoroughly, including defrost pan, (d) leave door open to prevent odor formation.

### **IF YOU MOVE**

Remove or securely fasten down all loose items inside the refrigerator.

To avoid damaging the leveling screws, turn them all the way into the base.

#### **IMPORTANT WARNING :**

1. An empty Refrigerator is a very dangerous attraction to children.  
Remove either gaskets, latches, lids or door from unused appliance, or take some other action that will guarantee it harmless.
2. Appliance must be earthed if 3-pin plug not fitted.

**DON'T WAIT! DO IT NOW!**

# **CORD, EARTHING INSTRUCTION**

## **DO NOT USE AN EXTENSION CORD**

If possible, connect the Refrigerator to its own individual appliance circuit : then other appliances or a heavy load of household lights will not cause an overload, that might interrupt the electrical current. Also a loose connection might result from doubling up with another appliance in the outlet.

## **GROUNDING(EARTHING) INSTRUCTION**

In the event of an electrical short circuit, grounding (earthing) reduces the risk of electric shock by providing an escape wire for the electric current.

If this appliance is equipped with a cord having a grounding (earthing) wire with a grounding (earthing) plug, you must plug into an outlet that is properly installed and grounded.

If this appliance has not grounding (earthing) plug with a cord having a grounding (earthing) wire, appliance must be earthed another way.

### **IMPORTANT WARNING :**

**Appliance must be grounded.(earthed)**

**DON'T WAIT! DO IT NOW!**

Improper use of the grounding (earthing) plug can result in a risk of electric shock. Consult a qualified electrician or service person if the grounding instructions are not completely understood, or if doubt exists as to whether the appliance is properly grounded.

## **POWER CORD REPLACEMENT**

If the power supply cord of this appliance is damaged, it must only be replaced in a repair shop appointed by the manufacturer, because special purpose tools are required.

## BEFORE CALLING FOR SERVICE

Often, service calls can be avoided! if you feel refrigerator is not operating properly, check these possible causes FIRST :

1. Have cabinet odor? Certain foods produce odors; cover open dishes of food : interior may need cleaning.
2. Has a house fuse blown or circuit breaker tripped?
3. Has the power cord plug been removed or loosened from the electrical wall outlet?
4. Is air circulation within the cabinet blocked by overcrowded shelves or by paper or other covering on the shelves?
5. Is there an obstruction in the opening at the front of the cabinet base?
6. Is the radiant heat through tube condenser, located on the side of the cabinet, obstructed in any way?
7. Have the doors been kept open more than normally necessary?
8. Does cabinet vibrate? Cabinet needs to be levelled? Modern refrigerators are larger and run colder, requiring more running time. Excessive running time may be controlled if conditions mentioned in 4,5,6 and 7 are checked periodically.

