



COMPACT DISC
STEREO MUSIC SYSTEM

OWNER'S MANUAL

**FR-656A(M/C/B) / LX(B),
FJ-656(M/C/B), FE-656E**

Please read this manual carefully before operating your set.
Retain it for future reference.



P/NO.: 3828SND040L

ENGLISH

	CAUTION RISK OF ELECTRIC SHOCK DO NOT OPEN	
<p>CAUTION: TO REDUCE THE RISK OF ELECTRIC SHOCK, DO NOT REMOVE COVER(OR BACK). NO USER SERVICEABLE PARTS INSIDE. REFER SERVICING TO QUALIFIED SERVICE PERSONNEL.</p>		

Explanation Graphical Symbols:



The lightning flash with arrowhead symbol, within an equilateral triangle is intended to alert the user to the presence of uninsulated dangerous voltage within the product's enclosure that may be of sufficient magnitude to constitute a risk of electric shock to persons.



The exclamation point within an equilateral triangle is intended to alert the user to the presence of important operating and maintenance (servicing) instructions in the literature accompanying the appliance.

WARNING:

TO REDUCE THE RISK OF FIRE OF ELECTRIC SHOCK, DO NOT EXPOSE THIS APPLIANCE TO RAIN OR MOISTURE. To avoid electrical shock, do not open the cabinet. Refer servicing to qualified personnel only.

<p>CAUTION Use of controls or adjustments or performance of procedures other than those specified herein may result in hazardous radiation exposure.</p>

(FOR THE CUSTOMERS IN EUROPE)

If this product is marked with the CE-symbol, it means which is conformed to EMC regulation 89/336/EEC.

<p>Laser component in this product is capable of emitting radiation exceeding the limit for Class 1.</p>
--

<p>CAUTION: INVISIBLE LASER RADIATION WHEN OPEN AND INTERLOCKS DEFEATED. AVOID EXPOSURE TO BEAM.</p>
<p>WARNING: OSYNLIG LASERSTRÅLNING NÄR DENNA DEL ÄR ÖPPNAD STRÅLEN ÄR FARLIG.</p>
<p>ATTENTION: Quand l'appareil est ouvert, ne pas s'exposer aux radiations invisibles du faisceau laser.</p>

This label is located on the interior.

<table style="width: 100%; border-collapse: collapse;"> <tr> <td style="padding: 2px;">CLASS 1</td> <td style="padding: 2px;">LASER PRODUCT</td> </tr> <tr> <td style="padding: 2px;">KLASSE 1</td> <td style="padding: 2px;">LASER PRODUKT</td> </tr> <tr> <td style="padding: 2px;">LUOKAN 1</td> <td style="padding: 2px;">LASER LAITE</td> </tr> <tr> <td style="padding: 2px;">KLASS 1</td> <td style="padding: 2px;">LASER APPARAT</td> </tr> <tr> <td style="padding: 2px;">CLASSE 1</td> <td style="padding: 2px;">PRODUIT LASER</td> </tr> </table>	CLASS 1	LASER PRODUCT	KLASSE 1	LASER PRODUKT	LUOKAN 1	LASER LAITE	KLASS 1	LASER APPARAT	CLASSE 1	PRODUIT LASER	<p>This Compact Disc player is classified as a CLASS 1 LASER product. The CLASS 1 LASER PRODUCT label is located on the exterior.</p>
CLASS 1	LASER PRODUCT										
KLASSE 1	LASER PRODUKT										
LUOKAN 1	LASER LAITE										
KLASS 1	LASER APPARAT										
CLASSE 1	PRODUIT LASER										

(FOR CUSTOMERS IN CANADA)

CAUTION: TO PREVENT ELECTRIC SHOCK, DO NOT USE THIS (POLARIZED) PLUG WITH AN EXTENSION CORD, RECEPTACLE, OR OTHER OUTLET UNLESS THE BLADES CAN BE FULLY INSERTED TO PREVENT BLADE EXPOSURE.

This class B digital apparatus meets all requirements of the Canadian Interference-Causing Equipment Regulations.

WARNING:
SHOCK HAZARD - DO NOT OPEN

MISE EN GARDE:

Pour éviter les chocs électriques, n'utilisez pas cette fiche (polarisée) avec une rallonge, un réceptacle ou une autre prise si vous ne pouvez pas y insérer les broches à fond.

MISE EN GARDE

Cet appareil numérique de la classe B respecte toutes les exigences de Règlement sur le matériel brouilleur de Canada.

AVERTISSEMENT

RISQUE DE CHOC ELECTRIQUE-NE PAS OUVRIR (FOR CUSTOMERS IN THE UNITED STATES OF AMERICA)

<p>Note to CATV system Installer: This reminder is provided to call the CATV system installer's attention to Article 820-40 of the NEC that provides guidelines for proper grounding and, in particular, specifies that the cable ground shall be connected to the grounding system of the building, as close to the point of cable entry as practical.</p>
--

NOTE:

The interference potential to the device.

This equipment generates and uses radio frequency energy and if not installed and used properly, that is in strict accordance with the manufacturer's instructions, may cause interference to radio and television reception. It has been type tested and found to comply with the limits for a Class B computing device in accordance with the specifications in subparts J of Part 15 of FCC Rules, which are designed to provide reasonable protection against such interference in a residential installation. However, there is no guarantee that interference will not occur in a particular installation. If this equipment does cause interference to radio or television reception, which can be determined by turning the equipment off and on, the user is encouraged to try to correct the interference by one of more of the following measures:

- Reorients or relocate the receiving antenna.
- Increase the separation between the equipment and receiver.
- Connect the equipment into an outlet on a circuit different from that to which the receiver is connected.
- Consult the dealer or an experienced radio/TV technician for help.

(FOR CUSTOMERS IN THE UNITED KINGDOM)

WIRING INSTRUCTIONS

This appliance is supplied with a BS1363 approved 3 amp fused mains plug. When replacing the fuse always use a 3 amp BS1362 approved type. Never use this plug with the fuse cover omitted. To obtain a replacement fuse cover contact your supplying dealer or "LG ELECTRONICS U.K.LTD".

If the mains sockets in your home differ, or are not suitable for the type of plug supplied, then the plug should be removed and a suitable type fitted. Please refer to the wiring instructions below:

Warning :

The mains plug severed from the mains lead of this appliance must be destroyed. A mains plug with bared wires is hazardous if engaged in a mains output line socket.

IMPORTANT

The wires in this mains lead are coloured in accordance with the following codes:

Blue	:	Neutral
Brown	:	Live

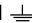
As the colour of the wires in the mains lead of this appliance may not correspond with the coloured markings identifying the terminals in your plug, proceed as follows:

The wire which is coloured blue must be connected to the terminal which is marked with the letter N or coloured black.

The wire which is coloured brown must be connected to the terminal which is marked with the letter L or coloured red.

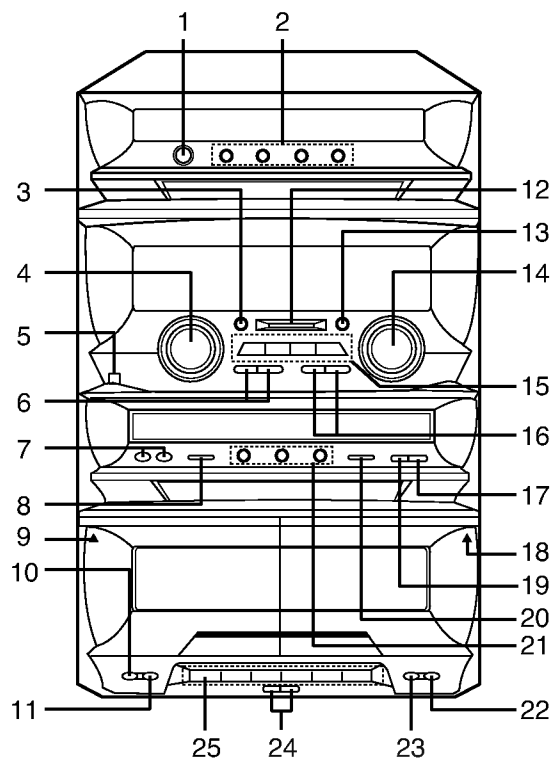
If a 13 amp BS1363 plug or any other type of plug is used, 3 amp BS1362 approved fuse must be fitted either in the plug or at the distribution board.

Warning :

Do not connect either wire to the earth pin, marked with the letter E or with the earth symbol  or coloured green or green and yellow.

OPERATING ELEMENTS

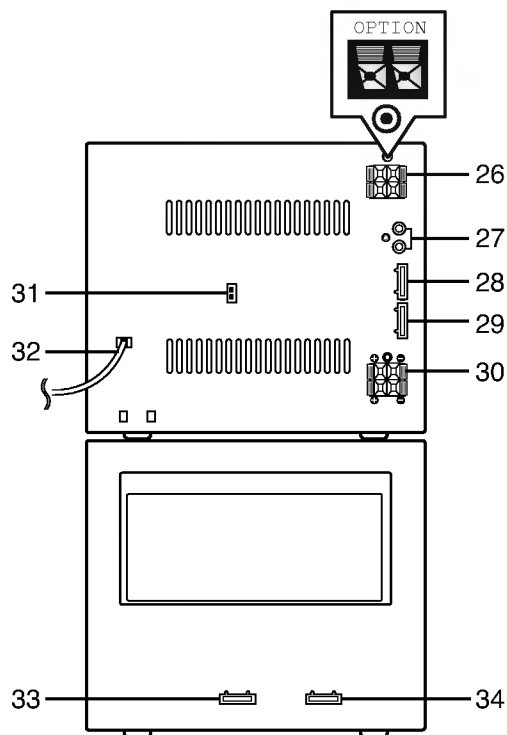
FRONT VIEW



FRONT VIEW

1. REMOTE SENSOR
2. FUNCTION SELECT buttons [TUNER/BAND, CD, TAPE A/B, AUX]
3. FM STEREO/RIF (Radio Interference Filter) button
4. JOG DIAL
 - PRESET DOWN/UP
 - CD SKIP
 - TIMER/CLOCK ADJUST
5. HEADPHONE socket
6. AUTO TUNING ∇/\wedge buttons
7. CD TRACK SKIP/SEARCH $\lll/\lll, \ggg/\ggg$ buttons
8. DISC SKIP button
9. DECK A EJECT(\blacktriangle) position
10. DECK B PLAY MODE SELECT button
[\swarrow , \searrow , \nearrow]
11. TAPE COUNTER RESET button
12. POWER button
13. UBB (Ultra Bass Boost) button
14. VOLUME knob
15. MEMORY(Radio) button
SET(CLOCK/TIMER/RADIO) button
TIMER button
CLOCK button

BACK VIEW

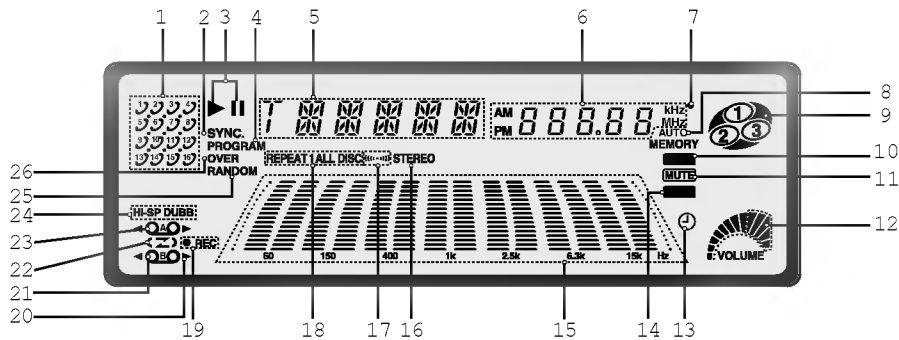


16. MANUAL TUNING ∇/\wedge buttons
17. CD \blacktriangle OPEN/CLOSE button
18. DECK B EJECT(\blacktriangle) position
19. \blacksquare = CD STOP/CLEAR
20. CD PLAY/PAUSE($\blacktriangleright/\parallel$) button
21. DISC DIRECT PLAY buttons (DISC 1, 2, 3)
22. CD SYNCHRO recording button
23. RECORD/RECORD PAUSE button
24. NORMAL/HIGH SPEED DUBBING buttons
25. TAPE CONTROL buttons
 \lll = REWIND, \ggg = FAST FORWARD
 \triangleleft = REVERSE PLAY, \triangleright = FORWARD PLAY
 \square = STOP, REC MUTE = RECORDING MUTE

BACK VIEW

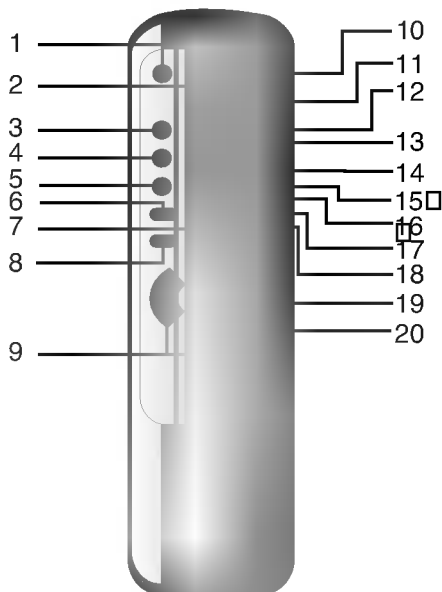
26. ANTENNA (Aerial) terminals
27. AUXiliary input sockets
28. SYSTEM \odot terminal
29. SYSTEM \oplus terminal
30. SPEAKER terminals
31. AC VOLTAGE SELECTOR (optional)
32. Power cord
33. SYSTEM \oplus terminal
34. SYSTEM \odot terminal

FUNCTION DISPLAY



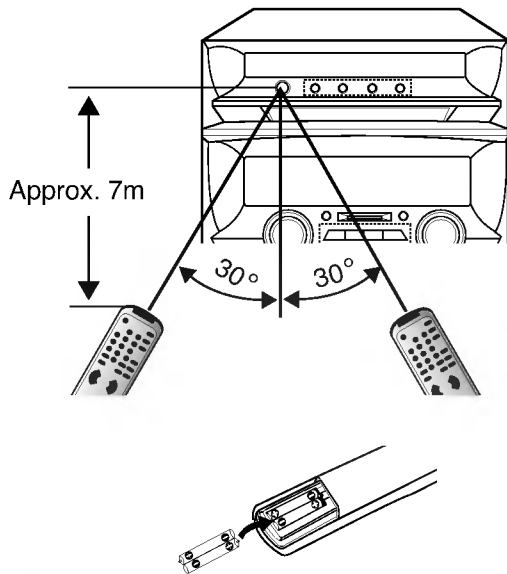
1. CD MUSIC CALENDAR indicator
2. CD SYNCHRO RECORDING indicator
3. CD PLAY/PAUSE indicator
4. CD PROGRAM indicator
5. FUNCTION, EQ PATTERN display
6. CLOCK, CD PLAYING TIME, FREQUENCY display
7. RIF(Radio Interference Filter) indicator
8. AUTO MEMORY indicator
9. DISC NO. indicator
10. UBB indicator
11. MUTE indicator
12. VOLUME LEVEL indicator
13. TIMER indicator
14. SLEEP indicator
15. LEVEL indicator of each frequency.
16. FM STEREO indicator
17. FM STEREO RECEIVING indicator
18. CD REPEAT indicator
19. RECORD indicator
20. TAPE PLAY DIRECTION indicator
21. DECK B TAPE ENTERED indicator
22. TAPE PLAY MODE indicator (DECK B)
23. DECK A TAPE ENTERED indicator
24. TAPE DUBBING indicator (High Speed/Normal Speed)
25. CD RANDOM indicator
26. CD MUSIC CALENDAR OVER indicator

REMOTE CONTROL



1. POWER button
2. PRESET ▲/▼ buttons
3. TAPE STOP (■) button
4. RECORD/RECORD PAUSE (●/||) button
5. CD RANDOM button
6. CD REPEAT button
7. CD STOP/CLEAR button
8. EQ PATTERN button
9. VOLUME -/+ button
10. SLEEP button
11. TUNER/BAND button
12. TAPE A/B button
13. TAPE PLAY (◀/▶) buttons
14. TAPE REWIND (◀◀)/FAST FORWARD(▶▶) buttons
15. DISC SKIP button
16. CD SKIP/SEARCH (◀◀/▶▶) buttons
17. CD PROGRAM button
18. CD PLAY/PAUSE (▶/||) button
19. AUX button
20. MUTE button

REMOTE CONTROL



Control Range

The remote control device is designed for the range shown in the illustration.

NOTE

Strong light or obstacles between the remote control device and the stereo system may interfere with the functioning of the remote control.

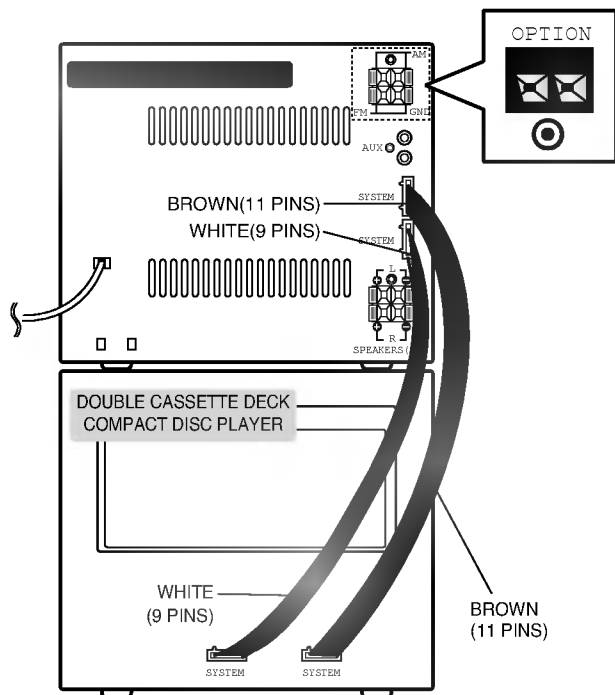
Notes on Batteries

- ▶ Your remote control comes with batteries. Use two "AAA(UM-4. IEC R03)" type high quality batteries.
- ▶ When the remote control fails to operate accurately at maximum distance from the unit. Replace the worn out batteries with new ones.
- ▶ Install two "AAA" type batteries, observing correct battery polarity(⊕ and ⊖). Reversed battery polarity might damage the unit.
- ▶ Do not use different types of batteries together, or an old one with a new one.
- ▶ When you are not going to use the unit for a long time, remove the batteries to prevent possible electrolyte leakage.

CONNECTIONS

Preparation

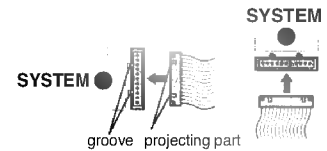
- ▶ Unplug the system power cord.
- ▶ To prevent the damage from overheating put the STEREO RECEIVER to the upper direction of the DOUBLE CASSETTE DECK COMPACT DISC PLAYER, i.e. do not clog up the ventilation hole of the STEREO RECEIVER.



To Connect the System Components

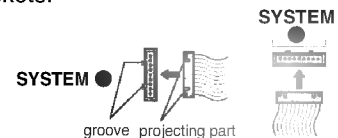
Connect the two system components stereo receiver and double cassette deck compact disc player with each other by connecting from system ① to system ① and from system ② to system ② .

1. Connect the 11 pins system connection cable. (by SYSTEM ② and SYSTEM ②)



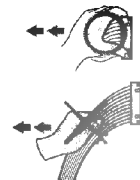
- ▶ Make sure the grooves on the plugs fit into the grooves on the sockets.

2. Connect the 9 pins system connection cable. (by SYSTEM ① and SYSTEM ①)



To release the system connection cable

- ▶ Pull the end and the plug of the system connection cable.
- ▶ Do not pull the center of the system connection cable.



NOTICE

If you do not connect the system connection cables, only the stereo receiver is not operated. Make sure the connection of the system connection cables are tight.

CONNECTIONS

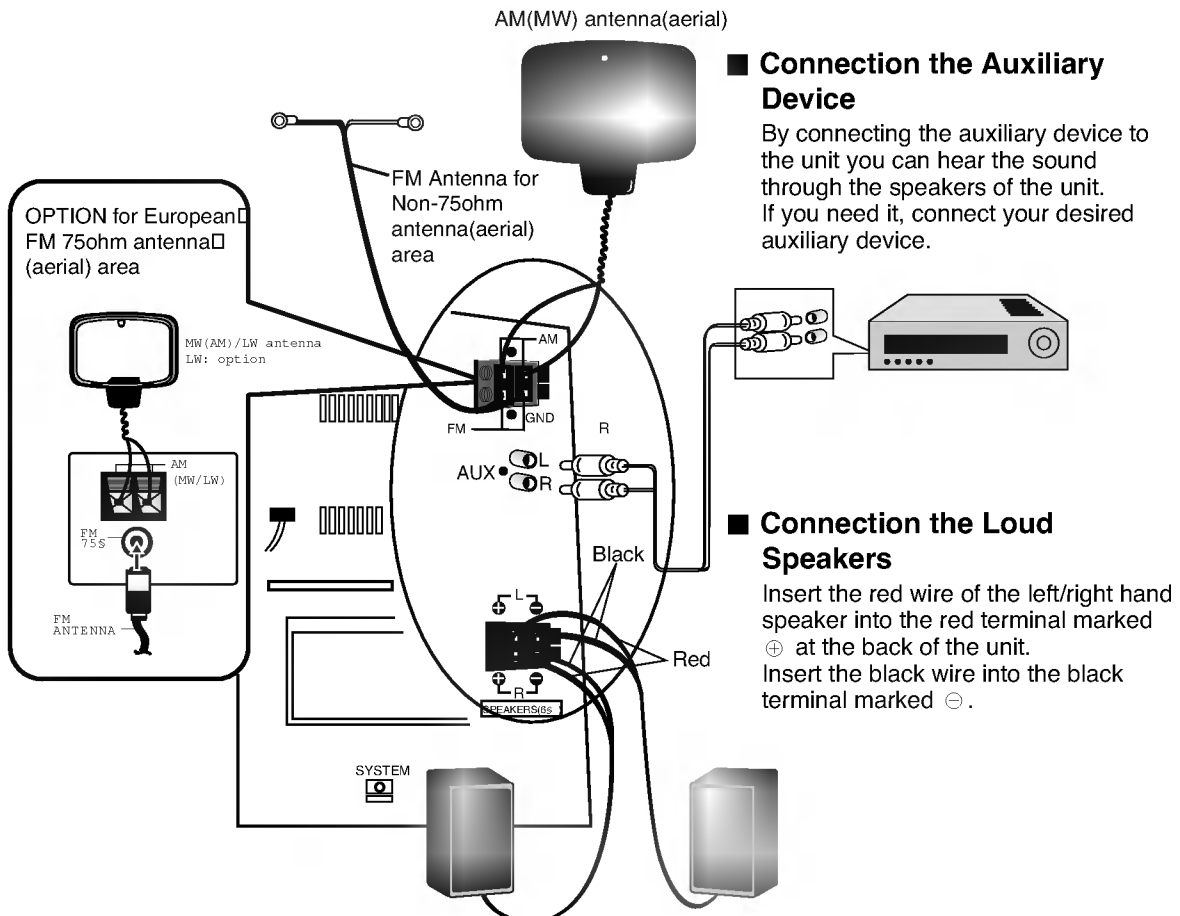
Antenna(aerial) Connection

■ FM antenna(aerial) connection

Connect the supplied FM indoor antenna (aerial) to the terminal marked FM on the back of the unit.

■ AM(MW) antenna(aerial) connection

For AM(MW) and LW reception, connect the supplied loop antenna(aerial) to the terminal marked AM(MW) or MW/LW.



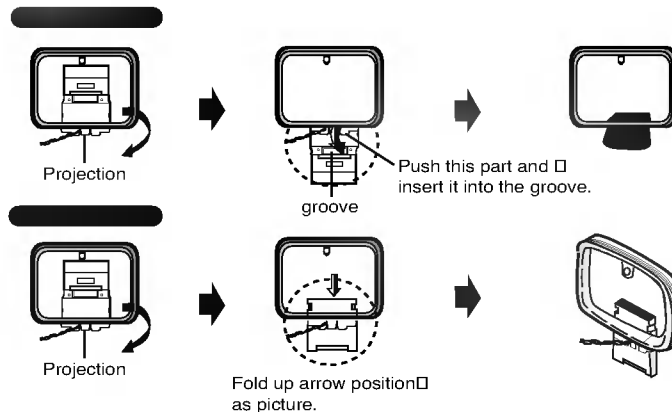
■ Connection the Auxiliary Device

By connecting the auxiliary device to the unit you can hear the sound through the speakers of the unit. If you need it, connect your desired auxiliary device.

■ Connection the Loud Speakers

Insert the red wire of the left/right hand speaker into the red terminal marked ⊕ at the back of the unit. Insert the black wire into the black terminal marked ⊖.

How to join the AM loop antenna



CLOCK SETTING

Example : Set to 9:25 in the morning

1. **Press the CLOCK button.**(If the clock is already set, press and hold the **CLOCK** button for more than 1.5 seconds)
- The hour begin to blink.
2. **Set the hour by turning the JOG DIAL.**
3. **Press the SET button.**
The minute begins to blink.

4. **Set the minute by turning the JOG DIAL.**
5. **Press the SET button.**

The clock starts operating.

Information on the time

AM 12:00 = midnight

PM 12:00 = noon

When a power interruption occurs

The clock setting is erased, and "--:--" will flash on the display.

BEFORE OPERATING

■ Volume Adjustment

Turn **VOLUME** clockwise to increase the sound level, or counterclockwise to decrease it.
(Or press **VOLUME -** or **+** button on the remote control.)

■ Sound Quality Adjustment

▶ To reinforce bass

Press **UBB** so that the **UBB** indicator appears on the display. To cancel it, press the button so that **UBB** indicator disappears on the display.

▶ To activate stereo sound

You can choose between 4 fixed sound modes: select a desired sound mode by using the **EQ. PATTERN** button(on remote control)

FLAT : linear frequency response

ROCK : more bass, more treble

POP : less bass, less treble

CLASSIC : for orchestral music

▶ Headphone Socket.

Connect a stereo headphone(not supplied) plug into the headphone socket.

The speakers are automatically disconnected when you plug it into the headphone socket.

■ MUTE button(on remote control)

Press this button to mute the sound.

You can mute your unit, for example, to answer the telephone.

The **MUTE** indicator appears on the display.

■ FM STEREO/RIF(Radio Interference Filter) button

For switching from mono to stereo reception and vice versa. If the transmission is too weak to receive stereo FM without interference, switch the **STEREO** off.

When a **MW(AM)** or **LW** broadcasting is being recorded, the **R.I.F.(BEAT-SWITCH)** button can be used to reduce unwanted "beat" signals and noise, which were not heard before recording.

RADIO RECEPTION

Tuning in Automatically

1. Turn on the power.
2. Press **TUNER/BAND** button repeatedly until the desired band appears.
3. Press **AUTO TUNING** \vee/\wedge button. The unit tunes in a station automatically.

Tuning in Manually

1. Turn on the power.
2. Press **TUNER/BAND** button repeatedly until the desired band appears.
3. Press briefly and repeatedly or keep depressed **MANUAL TUNING** \vee/\wedge button, until the desired station appears.

Storing Stations

1. **To memorize in selecting or adding channel number.**
 - Select a desired station.

- Press the **MEMORY** button.
- Select a desired channel number by turning the **JOG DIAL**.
- Press the **MEMORY** button again.
- Repeat step ● to ● to be memorized up to 30 stations.
- To finish memorizing the stations, press **SET**.

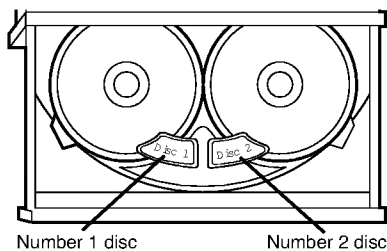
2. To recall presets.

Press and hold the **PRESET** $\blacktriangle/\blacktriangledown$ button on the remote control or turn the **JOG DIAL** until the desired preset number appears.

To initialize the Preset Stations

- Unplug the power cord.
- Keep pressing the **POWER** button and plug into the power cord again.
And the preset stations are initialized.

CD PLAYING



Basic Operation

1. Press the **CD FUNCTION** button.
2. Press the **CD ▲ OPEN/CLOSE** button to open the disc compartment.
3. Load disc (s) with the label side up.
 - ▶ **Playing one or two discs**
Place discs on trays 1 and 2.
 - ▶ **Playing three discs**
After placing two discs, press the **DISC SKIP** button to rotate the trays. Place the next disc on tray 3.

NOTICE

To load an 8cm(3 in.) disc, put it onto the inner circle of the tray.

4. Press the **CD ▲ OPEN/CLOSE** button to close the disc compartment.
5. Press the **▶/|| (CD PLAY/PAUSE)** button to start play.
Play begins on the disc which is placed in the left side tray before closing the disc compartment. All the discs are played once only.

During playback

A tray which has no disc is skipped and play proceeds to the next tray. The indicator of the skipped tray number goes out in the display.

To stop play

Press the **■ (STOP/CLEAR)** button.

To pause

Press the **▶/|| (CD PLAY/PAUSE)** button.
To resume play, press it again.

To skip discs

During play or in the stop mode, press the **DISC SKIP** button.

During play

Play begins automatically after skipping.

In the stop mode

The next disc is skipped, and the player remains stopped. Press the **▶/|| (CD PLAY/PAUSE)** button to resume playing the next disc. Play begins and all the discs are played once.

To play one disc only

Press one of the **DISC DIRECT PLAY (⊕ DISC 1,2,3)** buttons to start play.

To remove discs

Press the **CD ▲ OPEN/CLOSE** button to open the disc compartment. You can remove two discs. To remove the disc on the back tray, press the **DISC SKIP** button to rotate the disc tray.

Changing Discs During Play

Two discs can be changed while the other remaining disc is played.

This operation is not applicable during programmed play.

1. Press the **CD ▲ OPEN/CLOSE** button to open the disc compartment.
2. Remove the discs and place other discs.
The disc placed on the left side tray will be played next.
3. Press the **CD ▲ OPEN/CLOSE** button to close the disc compartment.

NOTES



- ▶ Do not place more than one compact disc on one disc tray at the same time.
- ▶ If, during CD play, the video image of a nearby television is distorted, or if static is heard from a nearby radio, move this unit further away from the affected television or radio.

Searching for a Particular Point in a Track

You can locate a particular point in a track during play by monitoring the high-speed cueing sound or observing the CD counter in the display.

To search back:

Keep the **◀/◀** button pressed and release it at the desired point.

To search forward:

Keep the **▶/▶** button pressed and release it at the desired point.

CD PLAYING

Skipping to the Beginning of a Track

You can locate the beginning of any track on a disc.

To return to the beginning of the current or previous track.

Press the **⏮/⏪** button once or turn counterclockwise the JOG DIAL one step to return to the beginning of the current track.

Press the **⏮/⏪** button repeatedly or turn clockwise the JOG DIAL continuously to skip tracks backward one by one.

To skip tracks

Press the **⏭/⏩** button repeatedly to skip track(s) forward one by one.

Random Play

[Operating with only the remote control]

All the tracks on all discs in the compartment from the selected disc can be played randomly.

To play all track on all discs randomly.

Press the **RANDOM** button to display **RANDOM**.

To cancel random play

Press the **RANDOM** button so that **RANDOM** in the display goes out.

To skip tracks in the random play mode

When the **⏭/⏩** button is pressed, the next track is selected at random. The **⏮/⏪** button functions only to return to the beginning of the current track during random play.

Repeat Play

To play one track repeatedly.

Press the **REPEAT** button to display "REPEAT 1" and press the **▶/||** (PLAY/PAUSE) button to start play.

To play one disc repeatedly.

Press the **REPEAT** button twice to display "REPEAT 1 DISC" and press **▶/||** (PLAY/PAUSE) button to start play.

To play all tracks on all discs repeatedly.

Press the **REPEAT** button three time to display "REPEAT ALL DISC". and press the **▶/||** (PLAY/PAUSE) button to start play.

To repeat only selected tracks

Program the desired tracks, and press the **REPEAT** button to display "REPEAT 1" or "REPEAT ALL DISC".

To cancel repeat play

Press the **REPEAT** button so that "REPEAT" in the display goes out.

During playback

You can also operate the repeat play during playback.

NOTICE

- ▶ During the random play, you can play repeatedly an entire disc (REPEAT 1 DISC) or all discs (REPEAT ALL DISC).
- ▶ During the repeat one track play (REPEAT 1), if you press the **RANDOM** button, the repeat play is cancelled.
- ▶ During the programmed play; you can play repeatedly one track(REPEAT 1) or all discs (REPEAT ALL DISC).
- ▶ During the repeat play of an entire disc; fo you select the programmed play, it is changed to repeat play of all discs.

Programmed Play

The player has a memory function that allows play of up to 20 tracks over three discs in any order.

1. Press the **PROGRAM** button on the remote control in the stop mode.
2. Press **DISC SKIP** button to select a disc.
3. Press the **⏮/⏪** or **⏭/⏩** button (or turn the JOG DIAL) to select the tracks.
To select the 6th track, press the **⏮/⏪** or **⏭/⏩** button repeatedly or turn the JOG DIAL continuously until track number "6" is displayed in the display.
4. Press the **PROGRAM** button.
5. Repeat steps 2 to 4.
6. Press the **▶/||** (PLAY/PAUSE) button to start play.

To check the programmed contents

Each time the **PROGRAM** button is pressed in the program stop mode, a track number and a program number will be displayed and a disc number blinks in the display.

To clear the programmed contents

- ▶ Press the **■** (CD STOP/CLEAR) button during program stop.
- ▶ Press the **CD ▲ OPEN/CLOSE** button.

To add tracks to the program

- Press the **PROGRAM** button to search for program that the number of track is 00.
- Select the desired track on the disc with **DISC SKIP** button and **⏭/⏩** or **⏮/⏪** button(or JOG DIAL).
- Press the **PROGRAM** button.

To change the programmed tracks

- Press the **PROGRAM** button to display the changed program number.
- Select the desired track on the disc with **DISC SKIP** button and **▶/||** (or **⏮/⏪**) button (or JOG DIAL).
- Press the **PROGRAM** button.

NOTICE

- ▶ The **DISC SKIP** button does not operate during programmed play.
- ▶ Random play cannot be done during programmed play.

AUXILIARY FUNCTION

1. Switch on the auxiliary device i.e. TV or VCR, connected to the rear mounted AUX phono sockets.
2. Press the "AUX" function button.

NOTE:

You can also record from the auxiliary input source, see RECORDING section.

TAPE PLAYBACK

Playback

Preparation

- ▶ You can use only normal tapes.

1. To set the cassette function:

Switch the unit on and press the **TAPE A/B** button. (If necessary press the button again to select the other deck.)

2. To insert cassettes:

Open cassette deck A(or B) of both by pushing the deck **▲** (EJECT) position. Insert one or two cassettes with the tape side to the bottom and the cassette side that you wish to hear facing the front in cassette decks A or B.

3. Auto reverse:

Select which side of the cassette is to be played and how often with the **PLAY MODE** button.

Deck A is non-autoreverse(auto stop) deck, while Deck B is auto reverse deck.

Continuous play between deck A and B cannot be performed.

a) DECK A(Front side play only)

Front side **↔** only: Unit plays the front side in deck A and stops automatically at the end of the tape.

b) DECK B(Auto Reverse)

- One side **↔** : Unit plays the front or reverse side in deck B and stops automatically at the end of the tape.
- All sides **↔**) : Unit plays the front and reverse side in deck B and stops automatically at the end of the tape.
- Endless loop (↔) : As in 'all sides' but six times in succession in deck B.

4. Playback :

Start playback with the **PLAY** button **▶** (front side) or **◀** (reverse side). The **◀** (reverse side) **PLAY** button is not operated in the non-autoreverse deck A.

5. Fast forward or rewind :

Press button **▶▶** on the unit or on the remote control for fast forward and **◀◀** to rewind.

6. To end playback :

Press the **■** (TAPE STOP) button. The unit stops automatically at the end of the tape.

Tape Counter Reset

Press the **COUNT RESET** button while the tape is playing or stopped.

During forward (**▶**) playing, the tape counter increases and during reverse (**◀**) playing, the tape counter decreases.

RECORDING

Recording from a CD, Radio or Connected Equipment

Preparation

- ▶ Wind up the tape to the point recording starts.
- ▶ Use only normal tapes.
- ▶ You can record with deck B only.

1. To select the function :

Switch the unit on and select CD, TUNER, AUX etc.

2. To insert the cassette :

Open the cassette compartment B. Insert a blank cassette into the cassette compartment.

3. PLAY MODE

Select the play mode with **PLAY MODE** button, to select one [**↔**] or both sides [**↔**), (**↔**)] for recording.

RECORDING

4. Recording mode :

Press the **REC/PAUSE** (●/||) button.
The ●**REC** indicator flashes.

5. To start recording :

Press the **PLAY** button to record on either the front (▶) or reverse (◀) side. The recording ◀begins.

NOTES :

If both cassette sides are to be recorded (PLAY MODE ◀), (▶) always start with the front side PLAY ▶.

6. To interrupt recording :

To interrupt the recording for a short period, press the **REC/PAUSE** (●/||) button again.

To continue with the recording, press the **REC/PAUSE** (●/||) button one more time.

NOTE :

When the recording pause, the lamp next to the current recording direction flashes.

7. To end the recording :

Press the ■ (TAPE STOP) button.
The unit stops automatically at the end of the tape.

CD Synchro Recording

The CD synchro recording function dubs a complete CD and programmed titles automatically into a cassette.

1. Select the CD function.

2. Open the CD compartment with the CD ▲**OPEN/CLOSE** button, insert discs and close the CD compartment again.

3. To insert cassette :

Open the cassette deck B.
Insert a blank cassette into the cassette compartment.
Rewind the cassette to the beginning of the tape.

4. Auto reverse :

Select the PLAY MODE, if you only wish to record from the front [▶] or both cassette sides [▶◀] or [◀▶].

NOTE :

If the last title has to be stopped because the tape is full when front cassette side recording with PLAY MODE ▶) and (▶) the title is recorded again completely on the reverse cassette side.

5. To start recording :

Press the **CD SYNCHRO** button.
The recording begins and stops automatically at the end.

NOTES :

1. If you only want to record certain titles, program these before the CD synchro recording.
2. If you wish to record from the desired track, select the desired track with the ▶▶▶▶ or ◀◀◀◀ button before commencing CD synchro recording.
3. The function change is not impossible during recording.

Recording from Tape to Tape (Dubbing)

Preparation

- ▶ Wind on the tape to the point recording starts.
- ▶ Use only normal tapes.
- ▶ Dubbing only functions from deck A (playback) to deck B (recording)

1. Select the TAPE function.

2. To insert cassettes :

Open cassette deck **A**.
Insert a recorded cassette and the cassette side that you wish to dub to the front.
Open cassette deck **B**.

Insert a blank cassette in the cassette compartment and the cassette side that you wish to record on, facing the front.

3. To dub(auto dubbing):

The unit dubs only the front side from deck A to deck B.
Rewind both cassettes to the beginning of the tape. Press **NOR. DUBBING** for normal and **HI. DUBBING** for double speed dubbing.
The dubbing starts up automatically.

NOTES :

The pause function does not operate during dubbing.

4. To end dubbing :

Press the ■ (TAPE STOP) button.
The unit stops automatically at the end of the tape.

NOTE :

You cannot change the speed of dubbing while dubbing.

The volume has no effect on the record level.

TIMER

Timer Setting

With the TIMER function you can have the radio reception and recording, CD play or tape play turned on and off at the time desired.

1. **Check the current time.**
2. **Press the TIMER button to enter the timer setting mode.** (If the timer is already set, press the button for more than 1.5 seconds.)
⌚ indicator appears in the display and each function-TUNER, CD, TAPE - flashes in the display in turn.
3. **If you want to select the TUNER, press the SET button when the TUNER appears in the display window.** 'PLAY' and 'REC' flashes in turn.
 - **Press the SET button to confirm either PLAY or REC.**
PLAY: Radio play only
REC: Radio plays and records
 - **Turn the JOG DIAL to select a desired radio station of the previous programmed preset numbers.**
If there are no radio stations in the memory, this step is automatically skipped and it will be play the radio broadcast that was being received before the unit was turned off.
 - **Press the SET button to confirm the selected preset number.**
 - **Set the hour to switch on by turning the JOG DIAL.**
 - **Press the SET button to confirm the hour to switch on.** The minute flashes.
 - **Set the minute to switch on by turning the JOG DIAL.**
 - **Press the SET button to confirm the minute to switch on.**
Now OFF will appear and the hour flashes in the display.
 - **Program the time to switch off in the same way as the time to turn on.**
 - **Set the volume level by turning the JOG DIAL.**
 - **Press the SET button to confirm the selected volume level.**
⌚ remains in the display and the timer setting has been perfected.
 - **Switch the system off.**
The selected function is automatically switched on and off at the time set.
 - ▶ **If you select the CD or TAPE:**
Follow steps ●~● of the '3. If you want to select the TUNER'. explanation section.

4. **To cancel or check the timer.**
Each time the **TIMER** button is pressed you can select the timer activating or cancel. You can also check the timer setting status.
To activate or check the timer, press the **TIMER** button so that "⌚" lights up in the display.
To cancel the TIMER, press the **TIMER** button so that "⌚" in the display goes out.

NOTES:

1. When the CD or TAPE is selected, if no disc is entered in the disc drawer or no cassette tape is entered in the cassette deck, the TUNER function will be operated.
2. When the CD playback is selected, the REPEAT ALL DISC will be selected automatically.
3. When the TAPE playback is selected: if no tape is in the non-auto reverse deck A or it is full auto reverse deck A and B, the play mode will be selected to '⏮' mode automatically.
4. When the TAPE playback is selected, if both cassette decks have tapes in them; deck B will be selected first.
5. The timer-off function will be operated only by the timer.

Sleep Timer Setting

(Operating with only the remote control)

When the sleep timer is used, the power is automatically turned off after the specified time has elapsed.

1. **To specify the time until the power is turned off, press the SLEEP button.** In the display you can see and '90' for about 5 seconds. This means that the units turns off automatically after 90 minutes.
Each time the button is pressed the time interval before it turns off is reduced by 10 minutes. i.e. 80...70...etc.
Select the desired time to turn off.
2. **To check the remaining time until the power is turned off.**
While the sleep function is active press the **SLEEP** button briefly. The time remaining until it turns off is displayed for about 5 seconds.
NOTE:
If you press the **SLEEP** button while the sleep time is displayed, the SLEEP time is set again.
3. **To cancel the sleep timer mode**
If you wish to stop the function press the **SLEEP** button repeatedly until 10 appears, and then press the **SLEEP** button once again while 10 is displayed.

AUTO FUNCTION SELECT SYSTEM

This unit has an auto function select system for various functions. i.e. If a function is in operation(e.g. radio reception), and you wish to switch to another(e.g. cassette playback), all you have to do is select the desired function(cassette playback) directly, the unit automatically switches to the new function(cassette recorder).This applies for the following functions:

1. On the remote control

TUNER : PRESET ▲/▼ buttons
 CD : ►/|| (PLAY/PAUSE) button
 TAPE : REVERSE(◀) and FORWARD(►) PLAY buttons.

In case of the non-auto reverse deck A:
 If it is set to TAPE(DECK) A function, the ◀ (reverse side) PLAY button is not operated.

2. On the unit

CD : DISC DIRECT PLAY buttons (DISC 1, 2, 3)

SPECIFICATIONS

■ AMP SECTION

- ▶ Output Power : 50W+50W(6Ω, 2ch, T.H.D 10%)
- ▶ Frequency Response : 40-20,000Hz
- ▶ Signal-to-Noise Ratio : 85dB

■ TUNER SECTION

FM

- ▶ Tuning Range(optional) : 87.5-108MHz or 65~74MHz and 87.5~108MHz
- ▶ Intermediate Frequency : 10.7MHz
- ▶ Signal-to-Noise Ratio : 65/60dB
- ▶ Frequency Response (Mono/Stereo) 98MHz : 30~12,500Hz

MW(AM)

- ▶ Tuning Range (optional) : 522-1,611kHz 530-1,720kHz or 530-1,610kHz
- ▶ Intermediate Frequency : 450kHz
- ▶ Frequency Response : 100-2,000Hz

LW(OPTIONAL)

- ▶ Tuning Range : 153-281kHz
- ▶ Intermediate Frequency : 450kHz
- ▶ Signal-to-Noise Ratio(200kHz) : 25dB

■ DECK SECTION

- ▶ FF, REW Time(C-60) : 120sec.
- ▶ Frequency Response : 125-10,000Hz
- ▶ Signal-to-Noise Ratio : 50dB
- ▶ Channel separation : 45dB

■ CD SECTION

- ▶ Frequency Response : 40-20,000Hz
- ▶ Signal-to-Noise Ratio : 85dB

■ GENERAL

- ▶ Power Requirements : Refer to the back panel of the unit.
- ▶ Dimensions(WxHxD): 270 x 231 x 313mm (FR-656=FJ-656)
- ▶ Weight(Net) : 5.1kg(FR-656) 3.6kg(FJ-656)

■ SPEAKER SYSTEM

- ▶ Type : Bass Reflex 2 Way 2 Speaker System
- ▶ Impedance : 6Ω
- ▶ Frequency Range : 50Hz-20,000 Hz
- ▶ Sound Pressure Level : 86dB/W (1m)
- ▶ Rated Input Power : 50W
- ▶ Max. Input Power : 100W
- ▶ Net Dimensions(WxHxD): 250 x 460 x 233mm
- ▶ Weight(net) : 4.5kg

※ NOTE: Designs and specifications are subject to change without notice for improvement.



LG Electronics Inc.