



# Room Air Conditioner **OWNER'S MANUAL**

Please read carefully and thoroughly the operating instructions and safety precautions before installing your room air conditioner.



# CONTENTS

---

FEATURES .....2

HOW TO OPERATE .....3

TO CONTROL AIR DIRECTION.....5

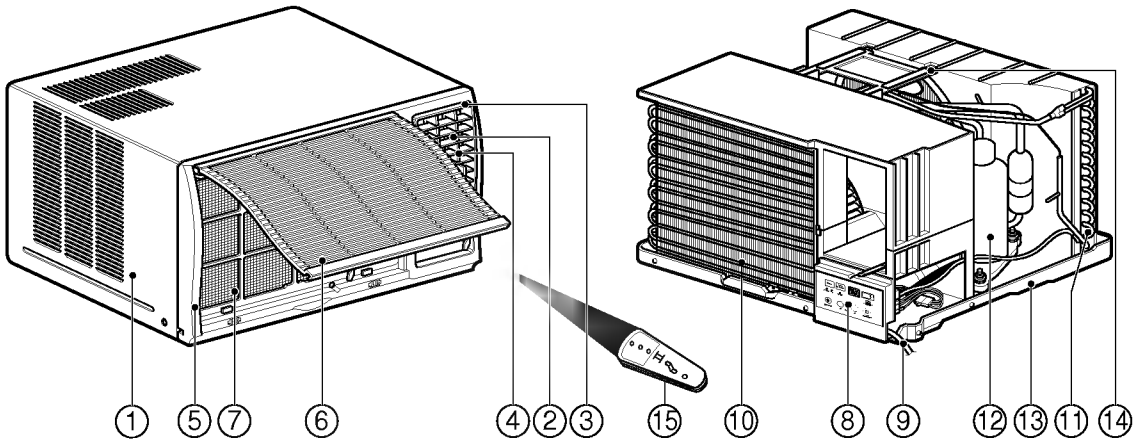
CARE AND MAINTENANCE .....5

CAUTIONS .....7

PLEASE CHECK BEFORE SERVICE CALL.....7

# FEATURES

---



- |  |                       |
|--|-----------------------|
| 1. CABINET                                       | 8. CONTROL BOARD      |
| 2. VERTICAL LOUVER<br>(HORIZONTAL AIR DEFLECTOR) | 9. POWER CORD         |
| 3. HORIZONTAL LOUVER<br>(VERTICAL AIR DEFLECTOR) | 10. EVAPORATOR        |
| 4. AIR DISCHARGE                                 | 11. CONDENSER         |
| 5. FRONT GRILLE                                  | 12. COMPRESSOR        |
| 6. INLET GRILLE (AIR INTAKE)                     | 13. BASE PAN          |
| 7. AIR FILTER                                    | 14. BRACE             |
|  | 15. REMOTE CONTROLLER |

# HOW TO OPERATE

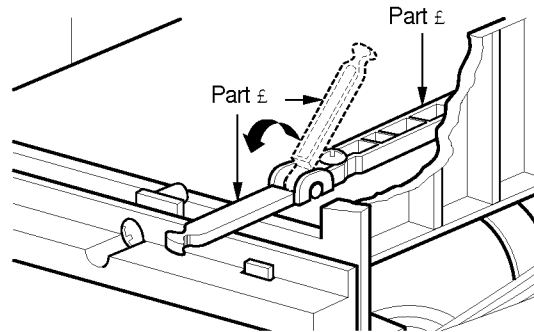
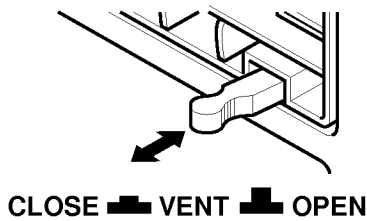
## • CAUTION

- When the air conditioner has been performing its cooling operation and is turned off or set to the fan operation, wait at least 3 minutes before resetting to the cooling operation again.
- Please, set auto restart switch to "OFF" mode when you go out.

## • VENTILATION

The ventilation lever must be set in the CLOSE position in order to maintain the best cooling conditions. When fresh air is necessary in the room, set the ventilation lever to the OPEN position.

The damper is opened and room air is exhausted.



**NOTE:** Before using the ventilation feature, make the lever, as shown. First, pull down part ε to horizontal line with part ε.

## • DISPLAY

**DISPLAY COOL/FAN**  
It indicates COOL/FAN.

**SLEEP**  
It displays the operating of timer.

**AUTO SWING**  
Press the air flow direction control button for the vertical louver's to swing automatically.

**REMOCON SIGNAL RECEIVER**

**AUTO RESTART**  
In failure of electricity, if the switch is set to "ON", the unit runs as previous setting operation when power returns.

**OPERATION SWITCH**  
When you cannot using Remote Controller, push this button. When you first turn on, the Set is on the High Cool mode and the Temp. of 22°C. When you push this button again, the set is OFF.

**FAN SPEED**  
Everytime you push this button, it is set as follows.  
(High → Low → High ...)

**TEMPERATURE SETTING**  
This button can automatically control the temperature of the room. The temperature can be set within a range of 16°C to 30°C by 1°C. Select the lower number for lower temperature of the room.

MODE (FAN, COOL, ON)  
SLEEP  
22  
AUTO RESTART (ON, OFF)  
R  
FAN SPEED  
TEMP  
AUTO SWING  
POWER

## • REMOTE CONTROL

**Precaution:** The Remote Controller will not operate properly if strong light strikes the sensor window of the air conditioner or if there are obstacles between the Remote Controller and the air conditioner.

### AUTO SWING

- Press the air flow direction control button for the vertical louver's to swing automatically.

### SLEEP

- Everytime you push this button, timer is set as follows. (1Hour → 2Hours → 3Hours → 4Hours → 6Hours → 8Hours → 10Hours → 12Hours → Cancel)
- The Setting Temperature will be raised by 1°C 30min. later and by 2°C 1 hour later.

### COOL/FAN

- Everytime you push this button, it will be COOL and FAN only by turns.

### POWER

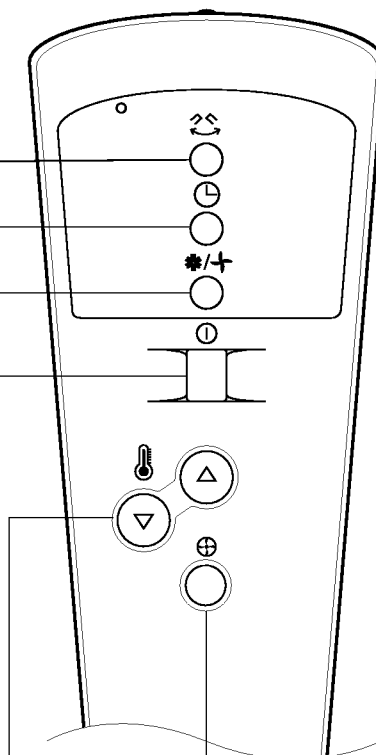
- To turn the Set ON, push the button. To turn the Set OFF, push the button, again.
- This button takes priority of any other buttons.
- When you first turn on, the Set is on the High cool mode and the temp. of 22°C

### TEMPERATURE SETTING

- This button can automatically control the temperature of the room. The temperature can be set within a range of 16°C to 30°C by 1°C. Select the lower number for lower temperature of the room.

### FAN SPEED

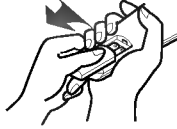
- Everytime you push this button, it is set as follows. (High → Low → High ...)



## • HOW TO INSERT BATTERIES

**1** Remove the cover from the back of the remote controller.

- Slide the cover according to the arrow direction.



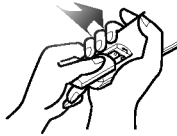
**2** Insert two batteries.

- Be sure that the (+) and (-) directions are correct.
- Be sure that both batteries are new.



**3** Re-attach the cover.

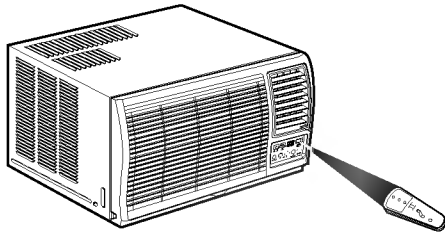
- Slide it back into position.



- Do not use rechargeable batteries such as batteries differ from standard dry cells in shape, dimensions, and performance.
- Remove the batteries from the remote controller if the air conditioner is not going to be used for an extended length of time.

## TO CONTROL AIR DIRECTION

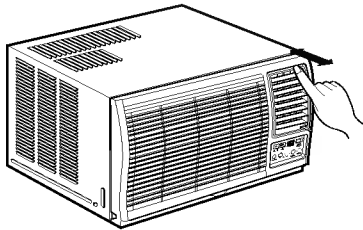
The direction of air can be controlled whenever you want to cool by adjusting the horizontal louver and the vertical louver.



### • HORIZONTAL AIR DIRECTION CONTROL

To control horizontal direction of air flow, press the air flow direction control button and the air flow will be swept horizontally by the automatic air-swing system.

If you want to stop the air flow from moving, press the button again at the desired position of the vane.

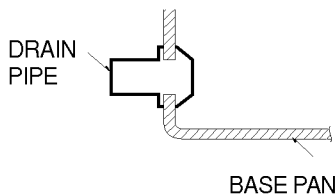


### • VERTICAL AIR DIRECTION CONTROL

The vertical air direction is adjusted by adjusting the horizontal louver toward or backward.

## CARE AND MAINTENANCE

### • HOW TO DRAIN(In case humidity is high)



First, be sure to insert the drain pipe into base pan before installation.

The air conditioner must be installed with a slight tilt to the outside for proper water drainage.

Generally the air conditioner may drain the condensed water through the drain pipe.(See description)

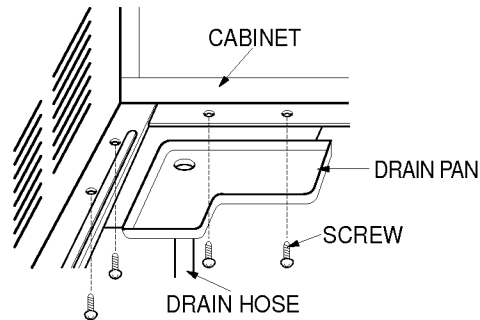
## • HOW TO ATTACH DRAIN PAN(In case humidity is high)

The air conditioner employs a proper drain method whereby the condensate water (moisture removed from the air) is drained to the outside.

In very humid weather, (and for reverse cycle models in the reverse mode) excessive condensate water removed from the air may cause some water to collect. To remove this excess water you can install the drain pan as detailed below.

1. Take the drain pan which is located in the air discharge or on the barrier.
2. Remove the hole rubber from the base-pan. (for some models)
3. Install the drain pan to the left corner of the cabinet with 4 (or 2) screws.
4. Connect the drain hose to the outlet located at the bottom of the drain pan.

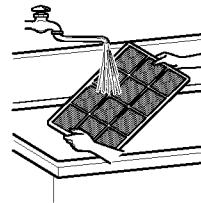
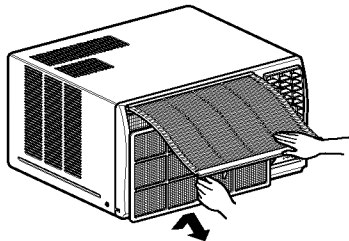
You can purchase the drain hose or tubing locally to satisfy your particular needs. (Drain hose is not supplied.)



## • AIR FILTER CLEANING

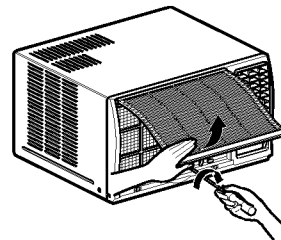
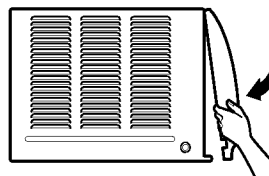
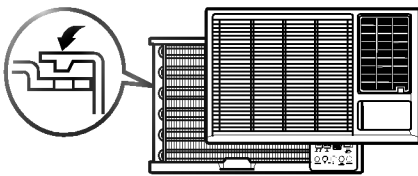
The air filter should be checked at least twice a month to see if cleaning is necessary. Trapped particles in the filter will build up and block the airflow. This reduces the cooling capacity and also causes an accumulation of frost on the cooling coils.

1. Open the inlet grille upward by pulling out the bottom of the inlet grille.
2. Remove the air filter from the front grille assembly by pulling the air filter up slightly.
3. Wash the filter using lukewarm water below 40°C(104°F).
4. Gently shake the excess water from the filter completely. Replace the filter.



## • HOW TO COMBINE FRONT GRILLE WITH CABINET

1. Pull down front grille from the cabinet top.
2. Push front grille's tips toward the cabinet in order to insert front grille's tabs into the cabinet.
3. Open the inlet grille.
4. Tighten the screw, which was used for fastening the cabinet's back, through the front grille into the base pan.
5. Close inlet grille.



# CAUTIONS

---

Listed below are important instructions which will prevent malfunctions of the unit or serious problem with your air conditioner.

1. Operate the unit from a stable power supply voltage variation must be within  $\pm 10$  percent of the rated voltage.
2. Do not modify any part of the unit.
3. Do not put sticks, rods, etc., into any part of the unit.
4. Do not operate the unit without an air filter.
5. Do not hold the power cord plug with wet hand.
6. Do not obstruct the air inflow of the evaporator, it may cause some trouble.
7. Disconnect the power cord plug from wall receptacle during the cool season or when you are checking the unit.
8. Close the ventilation damper on windy days and/or during heavy rains.

# PLEASE CHECK BEFORE SERVICE CALL

---

When you find something wrong with your room air conditioner, please check carefully referring to the following items. If you can't find out the causes of trouble, get into contact with your dealer.

## **A. WHEN THE AIR CONDITIONER CANNOT OPERATE;**

1. Is the air conditioner plugged into the receptacle properly?
2. Is the unit connected to alive receptacle supplying the proper voltage?
3. Is the fuse blown or is the automatic circuit breaker off?
4. Is there a local power failure?
5. Has the air conditioner been accidentally switched off?
6. Is the circuit overloaded by other devices on the same line?
7. At cooling condition:  
Is the setting temperature set too high temperature compared with the temperature of indoor?
8. If an extension cord is used, is the wire diameter large enough to carry the current?

## **B. AIR CONDITIONER RUNS, BUT DOES NOT COOL SUFFICIENTLY;**

1. Is the operation mode selection switch set properly?
2. Is the setting temperature set properly to provide the desired temperature?
3. Are there too more people than the usual number in the room?
4. Is the air circulation impeded by drapes, furniture, etc, or by an improper vane setting?
5. Are the doors or windows open, or is there an unusual heat source in the room?
6. Is the ventilation damper closed for maximum cooling?
7. Is the air filter clean so that it will not obstruct the air flow?
8. Have all the steps outlined in the Installation Instructions been followed?

