

MENUMASTER[®]

Light Duty

Commercial

Microwave Oven

Owner's Manual

DLD10E

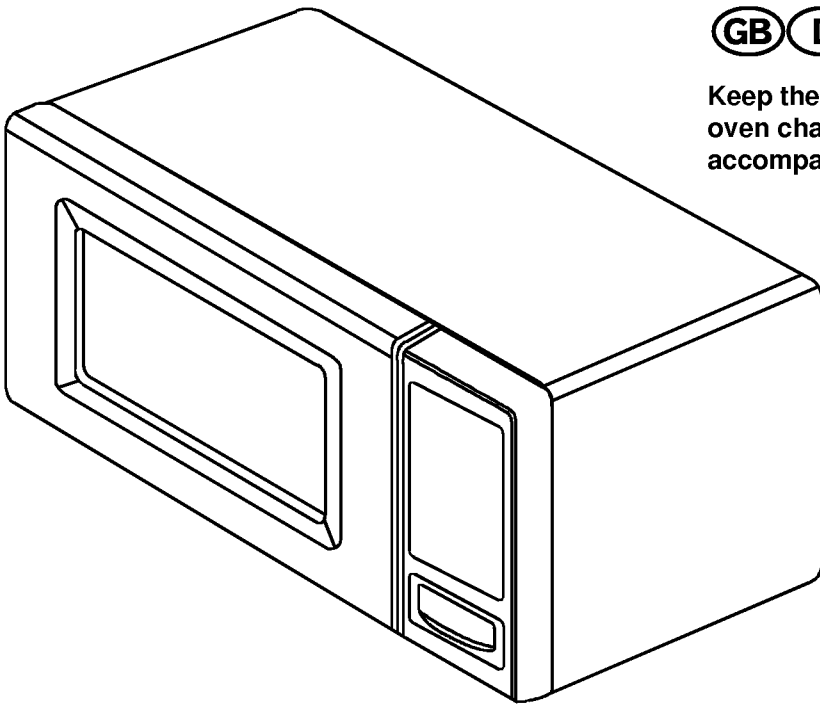
UMLD10E

DLD10SE

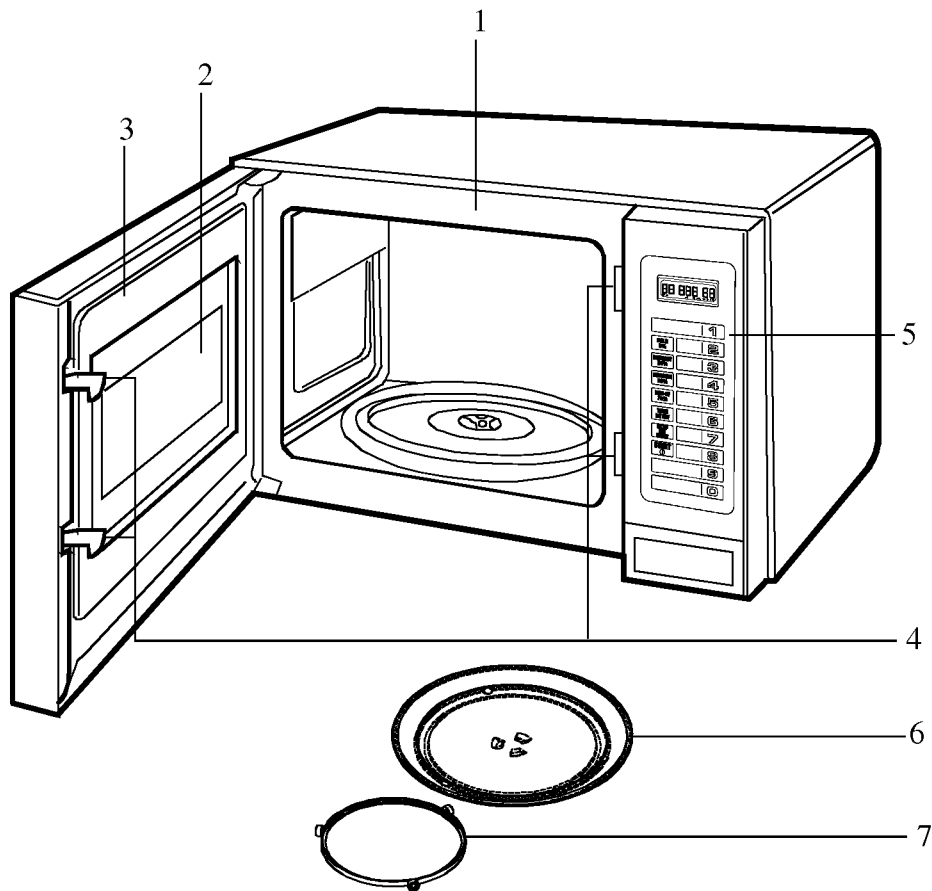
UMLD10SE

GB D F NL I E

Keep these instructions for future reference. If the oven changes ownership, be sure this manual accompanies oven.



Oven Parts/Gerät/Four/Oven/Forno/Horno



- (GB)** 1. Front plate
2. Viewing window
3. Door seal
4. Safety lock system
5. Control panel 6. Glass tray
7. Roller rest

- (NL)** 1. Voorkant
2. Venster
3. Deurafdichting
4. Veiligheidslot
5. Bedieningspaneel 6. Glazen bak
7. Roterende steun

- (D)** 1. Frontplatte
2. Sichtscheibe
3. Türdichtung
4. Sicherheitsverschluß
5. Bedienfeld 6. Glasschale
7. Rollenauflage

- (I)** 1. Piastra frontale
2. Vetro dello sportello
3. Guarnizione dello sportello
4. Sistema di bloccaggio di sicurezza
5. Pannello di controllo 6. Vassoio in vetro
7. Appoggio a rotelle

- (F)** 1. Plaque avant
2. Vitre
3. Joint de porte
4. Système de verrouillage de sécurité
5. Tableau de commande
6. Plateau en verre
7. Support rouleaux

- (E)** 1. Placa delantera
2. Ventanilla
3. Precinto de la puerta
4. Sistema de cierre de seguridad
5. Cuadro de mandos
6. Plataforma de cristal
7. Soporte de giro

GB	P4
MICROWAVE OVEN OWNER'S MANUAL Please read this Owner's Manual thoroughly before operating.	
D	P17
BETRIEBSANLEITUNG FÜR DEN MIKROWELLENHERD Vor der Inbetriebnahme sollte die Betriebsanleitung aufmerksam durchgelesen werden.	
F	P29
NOTICE D'UTILISATION DU FOUR Á MICRO-ONDES Veuillez lire avec attention cette notice d'utilisation avant la mise en fonction.	
NL	P41
MICROWAVE OVEN GEBRUIKERSHANDLEIDING Lees de gebruiksaanwijzingen grondig voor het in gebruik nemen van het apparaat.	
I	P53
MANUALE PER L'USO DEL FORNO A MICROONDE Si prega di leggere a fondo questo manuale prima dell'uso.	
E	P65
MANUAL DE INSTRUCCIONES DEL HORNO MICROONDAS Por favor lea detalladamente este manual antes de utilizar este aparato.	

PRECAUTIONS TO AVOID POSSIBLE EXPOSURE TO EXCESSIVE MICROWAVE ENERGY

The oven cannot be operated with the door open due to the safety interlocks built in the door mechanism which switch off cooking functions when the door is opened. Operating the oven with the door open could result in harmful exposure to microwave energy. It is important not to tamper with the door mechanism.

Do not place any object between the oven front face and the door or allow soil or cleaner residue to accumulate on sealing surfaces.

Do not operate the oven if it is damaged. It is particularly important that the oven door closes properly and that there is no damage to the (1) door (bent), (2) hinges and latches (broken or loosened), (3) door seals and sealing surfaces.

The oven should not be adjusted or repaired by anyone except qualified service personnel.

WARNING

When heating liquids, e.g. soups, sauces and beverages in your microwave oven, delayed eruptive boiling can occur without evidence of bubbling. This could result in a sudden boil over of the hot liquid. To prevent this possibility the following steps should be taken:

1. Avoid using straight-sided containers with narrow necks.
2. Do not overheat.
3. Stir the liquid before placing the container in the oven and again halfway through the heating time.
4. After heating, allow to stand in the oven for a short time. Stir or shake the contents (especially feeding bottles and baby foods) and carefully check the temperature before use.

Installation

1. Remove all packing materials and accessories.
2. Place the oven on a level surface a minimum of 85cm above the floor with at least 30cm above and 10cm rear space to allow adequate ventilation. The side of the oven should be kept clear so there is air flow for ventilation. The front of the oven should be at least 8cm from the edge of the surface to prevent tipping.
An exhaust outlet is located on top or side of the oven. Blocking the outlet can damage the oven.
3. Plug your oven into a standard voltage household outlet. Ensure that the electrical circuit is at least 13 amps and that the oven is the only appliance on the circuit.

(• For commercial use only.)

WARNING: THIS APPLIANCE MUST BE EARTHED

The wires in the mains lead are coloured in accordance with the following code:

Blue - Neutral

Brown - Live

Green and Yellow - Earth

If the power cord is damaged, it must be replaced by the manufacturer or its service agent or a similarly qualified person in order to avoid hazard.

Precautions

- Do not operate the oven when empty. It is best to leave a glass of water in the oven when not in use. The water will safely absorb all microwave energy if the oven is accidentally started.
 - Do not dry clothes in the microwave oven. They may become carbonized or burned if heated too long.
 - Do not use the oven for drying kitchen towels or paper products. They may burn.
 - Do not use wooden containers. They may heat up and / char.
 - Do not use recycled paper products since they may contain impurities which may cause sparks and/or fires when used in cooking.
 - Allow the turntable to cool before cleaning.
 - Small amounts of food require shorter cooking or heating time. If normal times are allowed, they may overheat and burn.
 - Before cooking, pierce the skin of fruit and vegetables.
- Do not cook eggs in their shell. Pressure will build up inside the egg which will burst.
 - Do not attempt deep fat frying in your oven.
 - If smoke is observed, switch off or disconnect the oven from the power supply and keep the oven door closed in order to stifle any flames.
 - When food is heated or cooked in disposable containers of plastic, paper or other combustible materials, check the oven frequently due to the possibility of ignition.

⚠ WARNING: Liquids or other foods must not be heated in sealed containers since they are liable to explode.

⚠ WARNING: Do not allow children to use the oven without supervision when adequate instructions have been given so that the child is able to use the oven in a safe way and understands the hazards of improper use.

⚠ WARNING: If the oven door and door seal are damaged, the oven must not be operated until it has been repaired by a qualified service technician.

⚠ WARNING: Do not attempt to tamper with, or make any adjustments or repairs to the door, control panel, safety interlock switches or any other part of the oven. It is hazardous for anyone to carry out any service or repair operation which involves the removal of any cover which gives protection against exposure to microwave energy. Repair should only be undertaken by a qualified service technician.

Cooking Utensils

COOKING UTENSILS

Utensils should be checked to ensure that they are suitable for use in the microwave oven. The following chart summarises the proper use of cooking utensils in your oven:

Cooking utensils	Microwave
Heat resistant glass, glass ceramic	yes
Ceramic, china	yes (Do not use china with gold or silver trim.)
Metal cookware	no
Non-heat resistant glass	no
Microwave plastic	yes
Plastic wrap	yes
Paper (cup, plates, towels)	yes
Straw, wicker and wood	no

Microwave

1. Most glass, glass ceramic, and heat resistant glassware utensils are excellent. Those with metal trim should not be used in a microwave oven.
2. Plastic dishes, cups, freezer bags, and plastic wraps may be used in the microwave oven.
3. Metal utensils and utensils with metallic trim should not be used in the microwave oven.
If the use of aluminum foil, skewers, or utensils containing metal in the oven is specified in the recipe, allow at least 2.5cm clearance between the metal object and the interior oven wall. If arcing (sparks) occurs, remove immediately.

Notes:

- Care should be taken when removing utensils or the glass turntable, as they may become hot during cooking.
- Only use a thermometer that is designed or recommended for use in the microwave oven.
- Ensure the turntable is in place when you operate the oven.

Cleaning and Care

BE SURE THE POWER TO OVEN IS TURNED OFF BEFORE CLEANING.

Keep the oven interior surfaces clean and dry.

As a general rule, clean after each use.

INTERIOR WALLS

Remove any crumbs and food remains between the door and oven using a damp cloth. This area has to be cleaned particularly well to ensure the door will close properly. Remove any grease splashes with a soapy cloth then rinse and dry. Do not use abrasives which may scratch and damage the painted surface of the oven.

NEVER POUR WATER INTO THE OVEN

ROLLER REST

The roller rest should be removed and cleaned in hot soapy water at least once a week to prevent grease restricting the rotation of the wheels.

DOOR

The door and door seals should be kept clean at all times. Use only warm, soapy water to rinse then dry thoroughly.

DO NOT USE ABRASIVE MATERIALS, SUCH AS CLEANING POWDERS OR STEEL AND PLASTIC PADS.

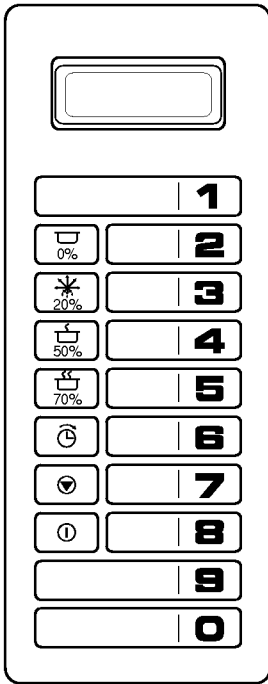
Metal parts will be easier to maintain if wiped frequently with a damp cloth.

EXTERIOR

Clean with mild soap and warm water, rinse and dry with a soft cloth. Do not use abrasive materials. Do not spill water in the vents. If the power lead becomes soiled wipe it with a damp cloth.

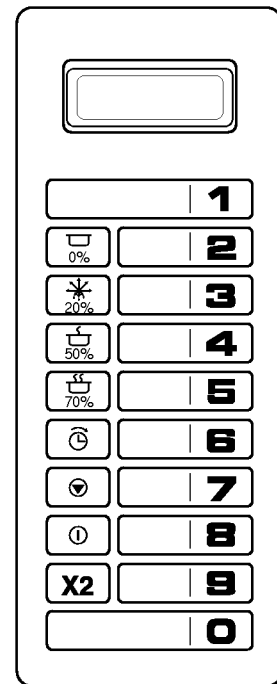
Record all inspections and repairs for future use.

Control Panels



DLD10E
UMLD10E
Control Panel

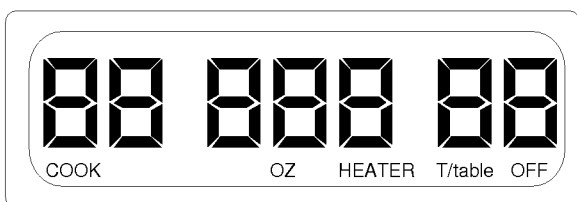
DLD10SE
UMLD10SE
Control Panel



Pads

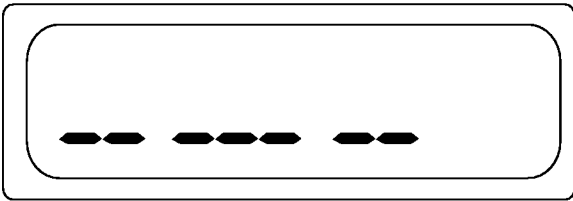
⌚ TIME ENTRY	Use to enter heating time without changing preprogrammed number pads.
1 2 3 4 5 6 7 8 9 0 Pads 1-0	Use to begin heating with preprogrammed times and power levels or to enter times for "Manual Time Entry" cooking.
☐ * ☐☐ HOLD 0%, DEFROST 20%, MEDUIM 50%, MED-HI 70%	Use to select power level. Oven can heat at full or reduced power. If oven power level is set to 0% oven does not heat for programmed time. If no power level is selected, oven operates at 100% power.
⏏ STOP/RESET	Use to exit programming mode and stop cooking during cooking cycle.
⏪ START	Use to start "Manual Time Entry" program or restart interrupted cooking cycle. Use to advance to next user option. Use to save times and power levels when programming pads.
X2 Double Quantity DLD10SE UMLD10SE	Use to extend heating time when more than 1 item is heated.

Display

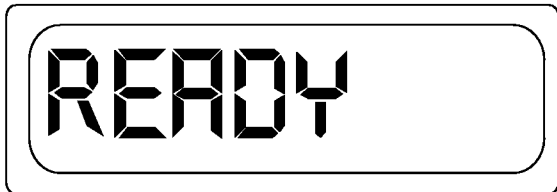


Some items in display can be seen but will not glow.

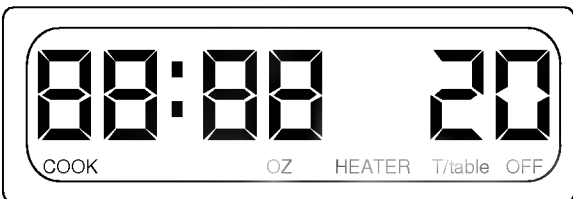
Cooking Displays



Shows when power is connected to oven. Open and close door to clear.



READY shows when oven control will accept entries. Appears after oven door is opened and closed.



88:88 shows heating time. When more than 1 heating stage is programmed, total time for all stages displays.

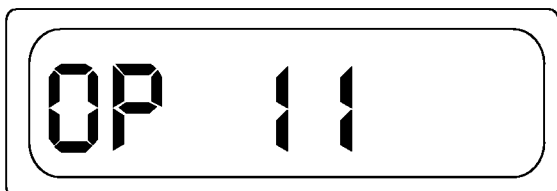
COOK shows when oven is operating.

20 indicates the microwave power level used. If power level does not show, oven is heating at 100% power.

Programming Displays



Indicates programming mode. See "Programming" section of manual for programming procedure.



Indicates programming user options mode. See "User Options" section of manual for programming procedure.

Operation



CAUTION

To avoid damaging oven, only heat in microwave oven when turntable is in place.



CAUTION

To avoid fire, do not dry newspapers or clothes in microwave oven.

Interrupting Operation

- Open oven door to interrupt operation. Oven fan continues to operate. Close door and press *START* pad to resume oven operation.
- Press *STOP/RESET* pad to interrupt operation. Display continues to show countdown time. Press *START* pad to resume oven operation and countdown timing.

Canceling Mistakes

- If oven is operating, press *STOP/RESET* pad once to stop oven, then again to clear display.
- If oven door is open and time shows in display, close oven door and press *STOP/RESET* pad to clear display.

Operating Preprogrammed Pads

All models has 10 preprogrammed number pads. Model DLD10SE, UMLD10SE has 20 programmable pads (01-20). Instructions are written for factory programmed ovens. Ovens that are reprogrammed can respond below.

1. Open oven door, place food in oven, and close oven door.
 - If pad is not pressed in 30 seconds, open and close oven door again.
2. Press desired number pad.
 - For some models press 2 digits (01-20).
 - Oven operates and time counts down.
3. Oven stops heating and oven signal sounds when heating timing elapses.

X2 (Double Quantity Feature)

Model DLD10SE, UMLD10SE only. The X2 pad can add from 10%-100% of additional heating time. The factory setting is 80%

1. Open oven door, place food in oven, and close oven door.
 - If pad is not pressed in 30 seconds, open and close oven door again.
2. Press X2 pad.
3. Press desired number pad.
 - For some models press 2 digits (01-20).
 - Oven operates and time counts down.
4. Oven stops heating and oven signal sounds when heating timing elapses.

Preprogrammed Times and Cook Level

All preprogrammed pads arrive set at full power.

Pads	Heating Times	Pads	Heating Times
1 (01)	10 sec.	(11)	20 sec.
2 (02)	20 sec.	(12)	40 sec.
3 (03)	30 sec.	(13)	1 min.
4 (04)	45 sec.	(14)	1:30 min.
5 (05)	1 min.	(15)	2 min.
6 (06)	1:30 min.	(16)	3 min.
7 (07)	2 min.	(17)	4 min.
8 (08)	3 min.	(18)	6 min.
9 (09)	4 min.	(19)	8 min.
0 (10)	5 min.	(20)	10 min.

Manual Time Entry

Manual Time Entry feature allows the operator to enter time and power levels, and heat without changing the preprogrammed pads.

1. Open oven door, place food in oven, and close door.
 - Display shows "READY".
 - If pad is not pressed in 30 seconds, open and close oven door again.
2. Press *TIME ENTRY* pad.
 - Display shows "0000".
3. Press number pads to enter desired cooking time.
 - For example, to heat for 2 minutes 30 seconds, press *2, 3, and 0* pads.
4. Press desired power level pad to change power level.
 - Display shows current power level if other than 100 percent power.
 - The factory setting is 100%.
5. Press *START* pad.
 - Oven operates and time counts down.
6. Oven stops heating and oven signal sounds when heating timing elapses.

Programming

Preprogrammed Number Pads

Oven has 10 preprogrammed number pads. Model DLD10SE, UMLD10SE has 20 programmable pads (01-20). Follow instructions below to program heating times and power levels for customized cooking.

1. Open oven door.
 - If door is closed or *STOP/RESET* pad is pressed before finishing programming sequence, oven exits programming mode.
2. Press and hold pad *1* for approximately 5 seconds.
 - After 5 seconds, signal sounds. Display shows "PROGRAM" indicating program mode..
3. Press desired number pad.
 - For some models press 2 digits(01-20).
 - Display shows heating time, "COOK LEVEL" and power level if other than 100 percent power.
4. Press number pads to enter desired cooking time.
 - For example, to heat for 2 minutes 30 seconds, press *2, 3, and 0* pads.
5. Press desired power level pad to change power level.
 - Display shows current power level if other than 100 percent power.
6. Press power level pad to enter desired power level.
 - For example, pressing DEFROST/20% pad is 20 percent power
 - The factory setting is 100%
7. Press *START* pad to save new heating time and power level in oven memory.
8. Press *STOP/RESET* pad or close oven door to exit programming mode.

X2 (Double Quantity Feature)

Model DLD10SE, UMLD10SE only. It allows the programmer to change how much heating time is added when X2 pad and then the preprogrammed pad is pressed. The X2 pad can add from 10%-100% of additional heating time.

1. Open oven door.
 - If door is closed or *STOP/RESET* pad is pressed before finishing programming sequence, oven exits programming mode.
2. Press pad hold pad *1* for approximately 5 seconds.
 - After 5 seconds, signal sounds. Display shows "PROGRAM" indicating program mode.
3. Press desired number pad.
 - For some models press 2 digits (01-20) number.
 - Display shows heating time, and programmed number.
4. Press X2 pad.
 - CF:08 shows in display. "CF" represents "cooking factor" and "08" indicates 80%.
5. Press number pad to enter desired cooking factor.
 - For example, pressing 2 pad is 20% (0=100%).
6. Press *START* pad to save new cooking factor in oven memory.
 - Repeat step 3-6 to program additional pads.
7. Press *RESET* pad or close oven door to exit programming mode.

Multiple Heating Stages

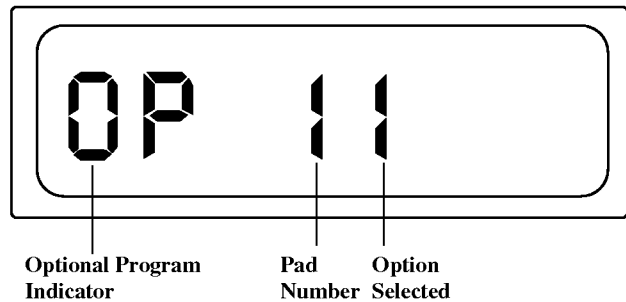
Follow instructions below to program oven to perform 3 consecutive heating cycles without interruption.

1. Open oven door.
 - If door is closed or *STOP/RESET* pad is pressed before finishing programming sequence, oven exits programming mode.
2. Press pad *1* for approximately 5 seconds.
 - After 5 seconds, signal sounds.
3. Press desired number pad.
 - Display shows heating time and preprogrammed number.
4. Press number pads to enter desired cooking time.
 - For example, to heat for 2 minutes 30 seconds,
5. Press desired power level pad to change power level.
 - If a power level pad is not pressed, oven defaults to 100% power.
 - For example, pressing MEDIUM 50% pad sets oven to 50% power.
 - Display shows current power level if other than 100 percent power.
6. Press power level 9
 - For example, pressing DEFROST 120% pad is 20 percent power.
 - The factory setting is 100%.
7. Press *TIME ENTRY* pad.
 - Display briefly shows "STAGE 2". Then cook time and power level for stage show in display.
 - Repeat steps 5-8 to create additional stages.
8. Press *START* pad to save new heating time and power level in oven memory.
9. Press *RESET* pad or close oven door to exit programming mode.

User Options

Follow the instructions below to customized the microwave oven's operation. End-of-cycle signal, maximum heating time and other options can be changed to meeting your cooking needs.

1. Open oven door.
 - If door is closed or *STOP/RESET* pad is pressed before finishing programming sequence, oven exits programming mode.
2. Press and hold pad 2 for approximately 5 seconds.
 - After 5 seconds, signal sounds. Display shows "OPTION".
3. Press number pad that matches desired option.
 - "OP" represents optional program mode, first number represents option number and second number represents functions currently selected for option.
4. Press *START* pad to advance to next option. See table for options.
5. Press number pad (0,1-3) to change option.
6. Press *START* pad to save changes.
 - Repeat steps 4-6 to change additional options.
7. Press *STOP/RESET* pad or close oven door to exit programming mode.



Numbered Pads	Display	Options () = Factory Setting
1 End of Cycle Beep	OP:10 OP:11 OP:12	3 second continuous beep (Continuous Beep until door is opened) 5 beeps bursts until door is opened
2 Speaker Volume	OP:20 OP:21 OP:22 OP:23	Eliminates beep Sets volume to low; 60-70dB Sets volume to medium; 70-80dB (Sets volume to high; 80-90dB)
3 Key Beep	OP:30 OP:31	Prevents signal when pad is pressed. (Allows signal when pad is pressed.)
4 Keyboard Enable Window	OP:40 OP:41	(30 seconds after oven door is opened, keyboard disabled) 2 minutes after oven door is opened, keyboard disabled
5 Add Time during Heating	OP:50 OP:51	(Prevents adding heating time while oven is heating.) Allows adding heating time while oven is heating.
6 Reset Door Open	OP:60 OP:61	Cancels heating time count down after door is opened during cycle. (Allows oven to resume heating time countdown after door is opened during cycle.)
7 Maximum Heating Time	OP:70 OP:71	Allows 10 minutes of heating time. (Allows 60 minutes of heating time.)
8 Manual Operation	OP:80 OP:81	Allows use of preprogrammed pads only. (Allows use of manual time entry and preprogrammed pads.)
9 Double Digit Entry	OP:90 OP:91	Allows 10 (0-9) preprogrammed pads. (Allows 20 (01-20) preprogrammed pads.)

Questions and Answers

Q. What's wrong when the oven light will not glow?

- A. ■ Light bulb has blown.
■ Door is not closed.

Q. Why is steam coming out of the air exhaust vent and/or why is water dripping from the bottom of the door?

- A. Steam is normally produced during cooking operations. The microwave has been made to vent this steam out of the side vent, occasionally this steam condenses on the door and water then drips out at the bottom of the door. This is quite normal and safe.

Q. Does microwave energy pass through the viewing screen in the door?

- A. No. The metal screen reflects the energy to the oven cavity. The holes, or ports are made to allow light to pass; they do not let microwave energy through.

Q. Will the microwave oven be damaged if it operates while empty?

- A. Yes. Never run it empty.

Q. Why do eggs sometimes pop?

- A. When baking or poaching eggs, the yolk may pop due to steam build-up inside the yolk membrane. To prevent this, simply pierce the yolk with a toothpick before cooking.
Never cook eggs without piercing their shells.

Q. Why is standing time recommended after the cooking operation has been completed?

- A. Standing time is very important.
With microwave cooking, the heat is in the food, not in the oven. Many foods build up enough internal heat to allow the cooking process to continue, even after the food is removed from the oven. Standing time for joints of meat, large vegetables and cakes is to allow the inside to cook completely, without overcooking the outside.

Q. Why does my oven not always cook as fast as the microwave cooking guide says?

- A. Check your cooking guide again, to make sure you've followed directions exactly; and to see what might cause variations in cooking time. Cooking guide times and heat settings are suggestions, to help prevent over-cooking . . . the most common problem in getting used to a microwave oven. Variations in the size, shape and weights and dimensions could require longer cooking time. Use your own judgement along with the cooking guide suggestions to check whether the food has been properly cooked just as you would do with a conventional cooker.

Q. Why do sparks and crackling (arcing) occur in the oven?

- A. There may be several reasons why sparks and crackling (arcing) within cavity happens.
■ You are using dishes with metal parts or trim (silver or gold).
■ You have left a fork or other metal utensil in the oven.
■ You are using a large amount of metal foil.
■ You are using a metal twist-tie.

Technical Specifications

	DLD10E/UMLD10E/DLD10SE/UMLD10SE
Power Input	230 V AC, 50 Hz
Output (IEC 705 RATING STANDARD)	1,000 Watts
Microwave Frequency	2,450 MHz
Outside Dimensions (W x H x D mm)	348 x 235 x 366
Power Consumption	1,350 Watts

- Dimensions shown are approximate.
- Because we continually strive to improve our products we may change specifications without prior notice.

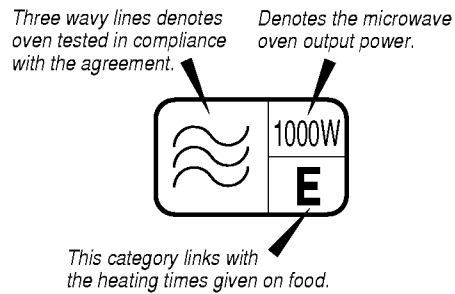
For U.K. Only

MAFF

This microwave oven has been tested and labelled to the Ministry of Agriculture Fisheries and Food (MAFF) agreement, concerning the reheating of cooked chilled food.

The heating category represents the oven's ability to heat small quantities of food (approx. 350g), it does not represent the oven's general performance. The category (from the letter A to E) will help you to reheat small quantities of food such as microwavable ready meals. The greater heating category of the oven, the less heating time is required.

Displayed on the food packages will be the cooking times for each of the BAND categories. For example **A** may be 10 minutes. **B** may be 9 minutes etc depending on the food type.



Wiring - U.K. Only

The wires in this mains lead are coloured in accordance with the following codes

BLUE ~ Neutral

BROWN ~ Live

GREEN & YELLOW ~ Earth

As the colours of the wires in the mains lead of this appliance may not correspond with the coloured markings on the terminals in your plug proceed as follows.

The wire which is coloured BLUE must be connected to the terminal which is marked with the letter N or Coloured BLACK.

The wire which is coloured BROWN must be connected to the terminal which is marked with the letter L or coloured RED.

The wire which is coloured GREEN & YELLOW or GREEN must be connected to the terminal which is marked with the letter E or \perp

You must use a 13 Amp plug (BS 1363) and fit a 13 Amp fuse (BS 1362). If any other of type of plug is used a 13 Amp fuse must be fitted either in the plug adapter or at the distribution board. Never use this plug with the fuse cover omitted. To obtain a replacement fuse cover contact your supplying dealer or Amana.

Warranty

MENUMASTER® COMMERCIAL MICROWAVE OVEN
90 DAY WARRANTY
LIMITED ONE YEAR WARRANTY ON MAGNETRON TUBE

90 DAYS

Amana Appliances will replace any part, part only, (f.o.b. Amana, Iowa) which is defective due to workmanship or materials when carried into an authorized Amana servicer.

ONE YEAR

Amana Appliances will provide a replacement magnetron tube (f.o.b. Amana, Iowa), part only, which is defective due to workmanship or materials when carried into an authorized Amana servicer.

WARRANTY LIMITATIONS:

- Begins at date of original purchase.
- Applies to product used for NORMAL commercial food preparation.
- Service must be performed by an authorized Amana Appliances service technician.
- Damage due to shipping and handling is not covered by this warranty.
- V.A.T., duties, customs fees, and other related expenses are not covered by this warranty.

WARRANTY IS VOID IF:

- Serial plate is defaced.
- Product has a defect or damage due to product alteration, connection to an improper electrical supply, installation in a corrosive environment accident, fire, flood, lightning, or other condition beyond the control of Amana Appliances.
- Product is improperly installed, used, or maintained.

ITEMS NOT COVERED:

- Lost or broken glass turntable or rotating ring.
- Accessories.
- General rebuilding or refurbishing.
- Failures caused by:
 - Grease or other material buildup due to improper cleaning or maintenance.
 - Accidental or intentional damage.
 - Operating an empty oven.
 - Use of improper pans, containers, or accessories that cause damage to the product.

OWNER'S RESPONSIBILITIES:

- Provide proof of purchase.
- Provide normal care and maintenance, including cleaning as instructed in owner's manual.
- Replace owner replaceable items where directions appear in the owner's manual.
- Make product accessible for service.
- Pay for premium service costs for service outside servicer's normal business hours.
- Pay for service calls related to product installation and usage.
- Pay for service technician's travel expenses.

IN NO EVENT SHALL AMANA APPLIANCES BE LIABLE FOR INCIDENTAL OR CONSEQUENTIAL DAMAGES

For answers to questions regarding the above, contact equipment supplier or:

Commercial Products Division
Amana Appliances
2800 220th Trail
Amana, Iowa 52204
USA
Phone 1.319.622.5511 Worldwide
Fax 1.319.622.8596 Worldwide

www.menucommercial.com

