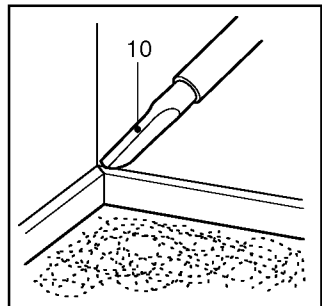
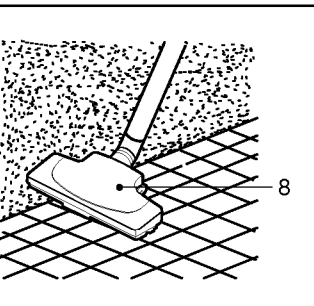
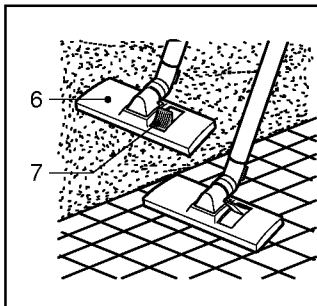
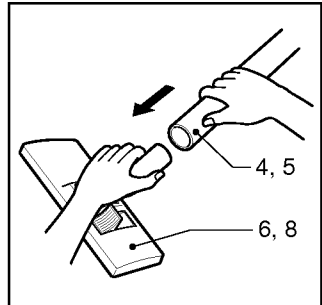
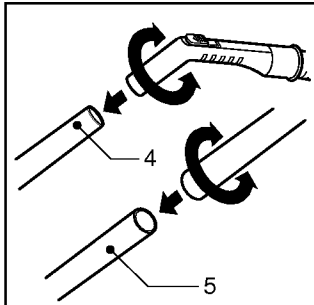
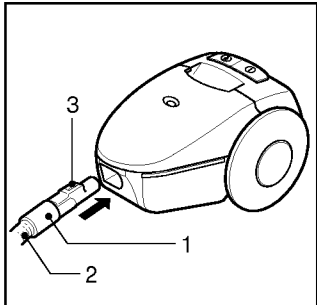
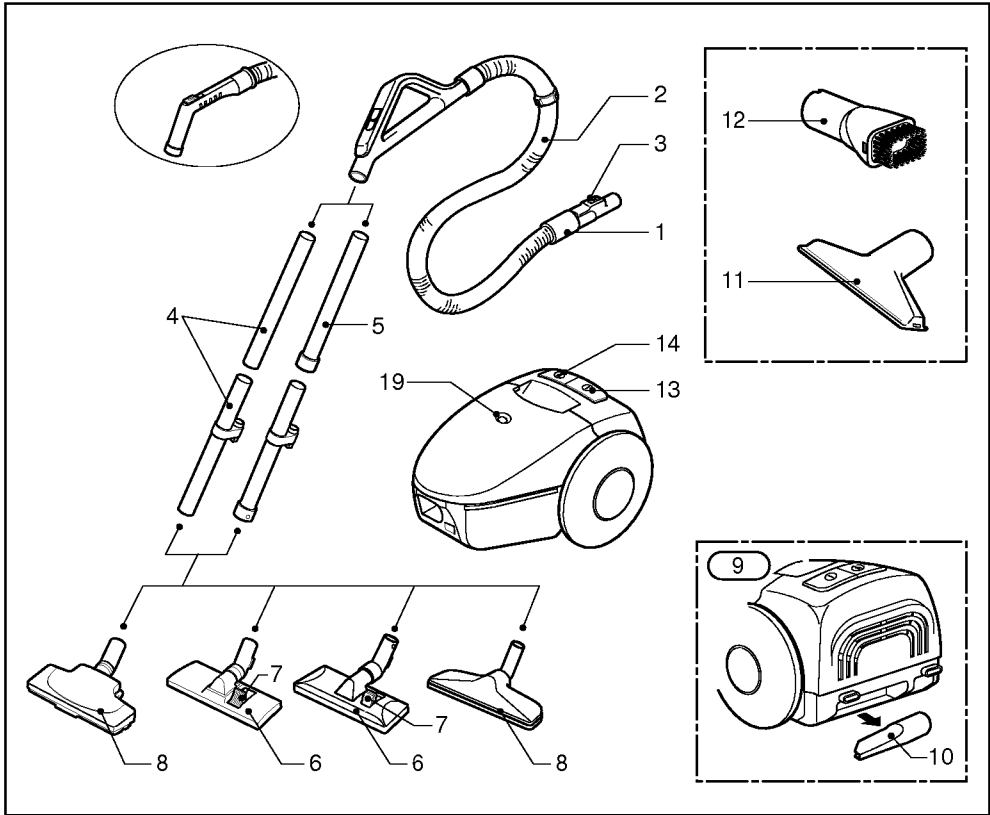
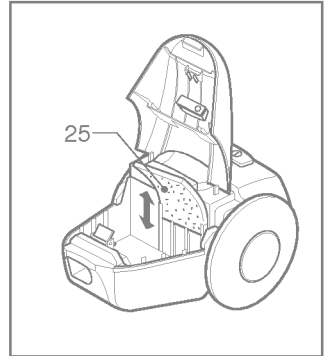
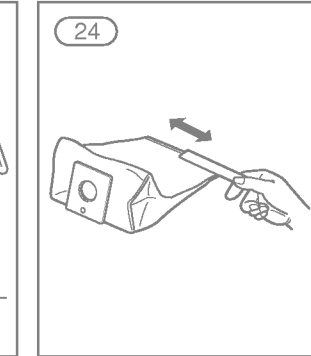
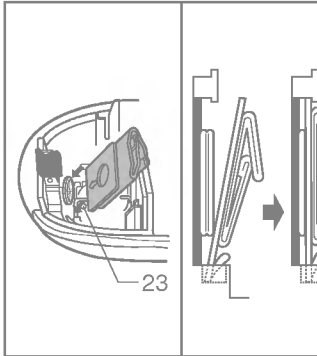
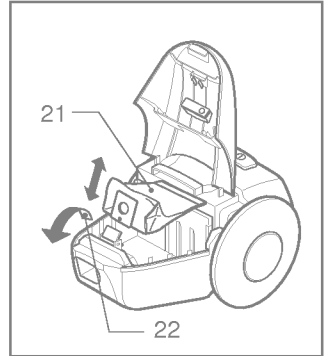
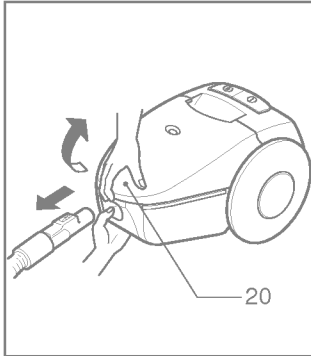
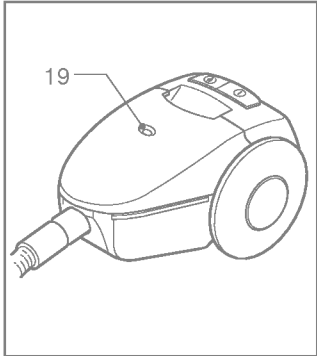
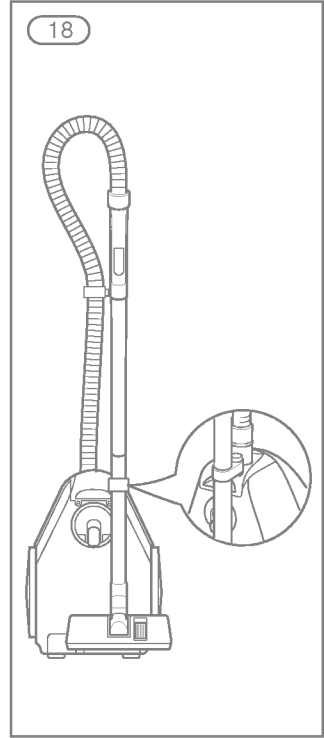
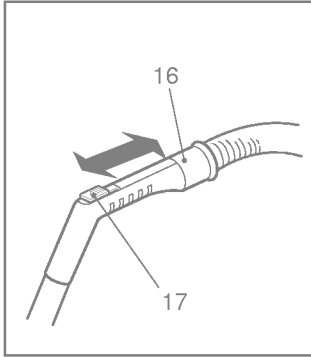
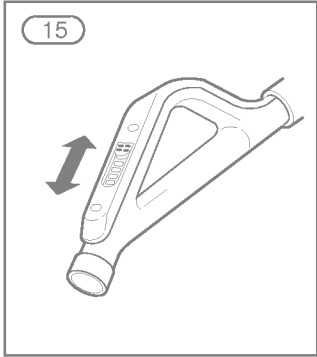
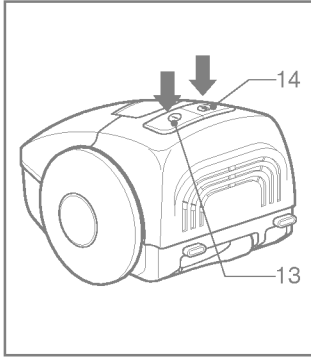
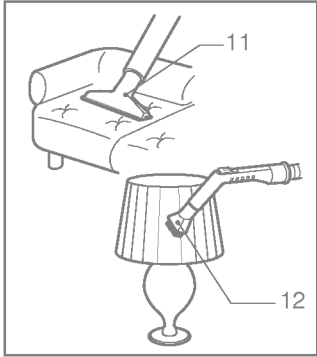


V-2600E
V-2600DE/TE
V-2600HDE/HTE

- I | English
- II | Magyarul
- III | Cesky jazyk
- IV | Limba Română
- V | Po Pllsku
- VI | Български





Information for your safety

Please read all the following information, which contains important instructions for the safety, the use and the maintenance of the appliance.

This appliance complies with the following EC Directives: -73/23/EEC, 93/68/EEC-Low Voltage Directive-89/336EEC -EMC Directive.

- ◆ Never allow children to use the appliance unsupervised.
- ◆ Do not use the appliance if the mains lead is damaged or faulty.
- ◆ If the mains lead is damaged, it must be replaced by an approved LG Electronics Service Agent as special tools are needed to repair it.
- ◆ Always switch the vacuum cleaner off before :
 - changing the dust bag
 - changing or cleaning the filters.
- ◆ **If no dustbag is inserted, the cover cannot be closed. Please do not use force!**
- ◆ Do not vacuum flammable or explosive substances(liquids or gases).
- ◆ Do not vacuum hot ash, embers etc. nor sharp objects.
- ◆ Do not vacuum water or other liquids.
- ◆ When you vacuum with an attachment appliance that has a rotating brush roller:
 - do not reach into the running brush roller.

Important for users in the UK.

The wires in the mains lead of this appliance are coloured in accordance with the following code:

BLUE-neutral

BROWN - live

As the colours of the wires in the mains lead of this appliance may not correspond with the coloured markings identifying the terminals in your plug,

PROCEED AS FOLLOWS:

The wire which is coloured **BROWN** must be connected to the terminal which is marked **L** or coloured **RED**.

The wire which is coloured **BLUE** must be connected to the terminal which is marked **N** or coloured **BLACK!**

VERY IMPORTANT:

Neither wire is to be connected to the earth terminal of a 3 pin plug.

If a 13 amp plug is fitted, fit a 13 amp **BS 1362 fuse**.

If any other type of plug is used, protect with a 15 amp fuse at the distribution board.

For appliances which come with mains lead and plug moulded on : the plug moulded on to the cord incorporates a fuse.

For replacement use a 13 amp BS 1362 fuse. Only ASTA approved or certified fuses should be used.

The fuse cover/carrier must be replaced in the event of changing the fuse.

The plug must not be used if the fuse cover/carrier is lost. A replacement cover/carrier must be obtained from authorised electrical goods retailers.

WARNING!Should it become necessary to replace the moulded on plug then the detective plug should be destroyed to avoid any possible shock hazard that could occur should such a plug be inserted into a 13 amp socket elsewhere in the house.

How to Use

Connecting the flexible hose

Push the end of the head(1) on the flexible hose(2) into the attachment point on the vacuum cleaner.

To remove the flexible hose from the vacuum cleaner, press on the button(3) situated on the head, then pull upwards.

Assembling the tubes

(depending on model)

- **Plastic(4) or metal (5) tube.**

- Fit together the two tubes by twisting slightly.

Using the cleaning head and Accessory Nozzles (depending on model) Fit the large cleaning head onto the end of the tube.

- **The 2 position head(6)** is equipped with a pedal(7) which allows you to alter its position according to the type of floor to be cleaned. **Hard floor position**(tiles, parquet floors...). Press on the pedal to lower the brush.**Carpet or rug position.** Press on the pedal to lift the brush up.

- **If your appliance is equipped with an automatic cleaning head(8) without pedal, it automatically adapts to the type of floor to be cleaned.**

The accessories compartment contains accessory(9).

- **Crevice Tool(10)**

For vacuuming in those normally inaccessible places i.e. reaching cobwebs, or down the side of a sofa!

- **Upholstery Nozzle(11)**

For vacuuming upholstery, mattresses, etc. The thread collectors help to pick up the threads and fluff.(option)

- **Dusting brush(12)**

For vacuuming picture frames furniture outlines, books and other uneven objects. (option)

How to plug in and use

Pull out the mains lead to the desired length and plug into the socket.

Press button (13) to start the vacuum cleaner. To stop it press the button (13) again.

Adjusting the power level

(depending on model)

- Suction capacity increases steplessly up to MAX.(15)
- The flexible hose handle(16) has a manual air flow regulator(17) which allows you to briefly reduce the suction level.

Carrying and storage

When you have switched off and unplugged the appliance, press on the button (14) to automatically rewind the cord.

- Use stowage clip as shown when storing the cleaner(18).

Changing the dust bag

The dustbag needs changing when the cleaner is set to maximum power and the cleaner head is off the floor but the "bag full" indicator window(19) is completely coloured red.

Even if the dustbag does not appear to be full at this stage, it should be changed.

It could be that a great deal of very fine dust has clogged up the pores of the dust bag.

- Turn off the appliance and unplug it.
- Remove hose.
- Open the cover(20)

Your appliance is equipped with either a paper dust bag or a fabric dust bag (21) (depending on model)

- Push the lever forwards in the direction of the arrow(22), and pull off the full paper filter bag towards the rear. Remove the bag and throw it away.
- Insert the new paper filter bag into the unit with the arrow pointing downwards(23).

If your appliance is fitted with a fabric dust bag follow the same instructions as above.

Empty it and replace it(24). Do not wash it.

Note: as the appliance is fitted with a safety device which checks that the bag is in place you cannot close the lid if the bag is not fitted correctly.

Cleaning the motor filter

The motor filter is situated inside the appliance between the dust bag and the motor. Each time that you change the air outlet filter we advise you to remove the motor filter(25)and to clean it by tapping to remove the dirt and then replacing it in the vacuum cleaner.

What to do if your appliance does not work

Check that the appliance is correctly plugged in and that the electrical socket is working.

What to do when the suction performance reduces?

- Stop the appliance and unplug it.
- Check that the tubes, flexible hose and cleaning tool are not blocked.
- Check that the dust bag is not full. Replace if necessary.

