



# Vacuum Cleaner

## OWNER'S MANUAL

MODEL : V-4000CT  
V-4060CT

Please read carefully and thoroughly the operating instructions and safety precautions before installing and operating your vacuum cleaner.



CH01

P/No.: 3828Fi3631T

Made in KOREA

# IMPORTANT SAFEGUARDS

When using an electrical appliance, basic safety precautions should always be followed, to reduce the risk of fire, electric shock and injury to persons, including the following:

## **READ ALL INSTRUCTIONS BEFORE ASSEMBLING or USING THIS APPLIANCE**

**WARNING**-Disconnect power supply before servicing and/or cleaning the unit. If not, electric shock could occur and/or cleaner could suddenly start.

1. Do not leave appliance plugged in. Unplug it from the outlet when not in use or before servicing .
2. Do not use outdoors or on wet surfaces. Do not pick up the water or wet material.
3. Do not handle plug or appliance with wet hands.
4. Do not allow it to be used as a toy, injury could result. Close attention is necessary when used by children
5. Use only manufacturer's recommended attachments.
6. Do not use damaged cord or plug. If the appliance is not working as it should; have been dropped, damaged, left outdoors, or dropped into water, return it to the nearest authorized service center.
7. Do not pull or carry by the power cord as a handle, close a door on cord, or pull the cord around sharp edges or corners. Do not run appliance over the cord. Keep the cord away from heated surfaces.
8. Do not unplug by pulling the cord. To unplug, grasp the plug, not the cord.
9. Do not put any object into openings. Do not use with any openings blocked; keep free of dust, lint, hair, and anything that may reduce air flow.
10. Keep hair, loose clothing, fingers, and all parts of body away from the openings. Do not use vacuum cleaner(v/cleaner) to pick up sharp hard objects, small toys, pins, etc.
11. Do not pick up anything that is burning or smoking, such as cigarettes, matches, or fireplace ashes.
12. Do not use to pick up flammable or combustible liquid or vapors such as gasoline or use in areas where they may exist.
13. Do not use vacuum cleaner without dust bag and/or filters in place.
14. Always turn off all controls before unplugging.
15. Do not keep v/cleaner on the chairs, tables, etc. Extra care must be taken when cleaning stairs.
16. The cord moves rapidly when rewinding. Provide a clear path and hold the plug when rewinding onto cord reel. Do not allow the plug to whip when rewinding.
17. Take electrical inspection when hose is cracked and its coat is peeled off.
18. Use this v/cleaner only for those jobs expected for a home vacuum cleaner.
19. Do not pull out the cord beyond the red mark. Pulling the cord out past the red mark may cause problems with the cord reel.

**SAVE THESE INSTRUCTIONS**

# TABLE OF CONTENTS

**SPECIFICATION**.....3

**FEATURES** .....4

**OPERATING**

VACUUM CLEANER USE.....5

DUST INDICATOR .....5

THE DUST FILTER BAG REPLACEMENT .....6

THE MOTOR SAFETY FILTER CLEANING.....6

THE EXHAUST FILTER REPLACEMENT.....6

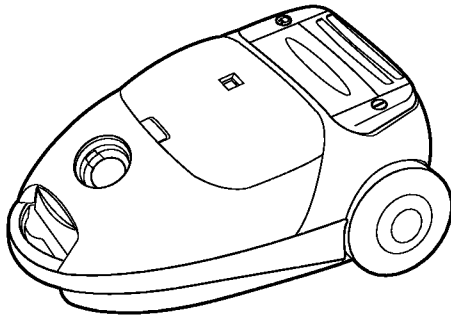
HOW TO USE THE ATTACHMENTS .....6

HOW TO STORE THE VACUUM CLEANER .....6

**BEFORE REQUESTING SERVICE**.....7

**TROUBLE SHOOTING CHART** .....7

# SPECIFICATION



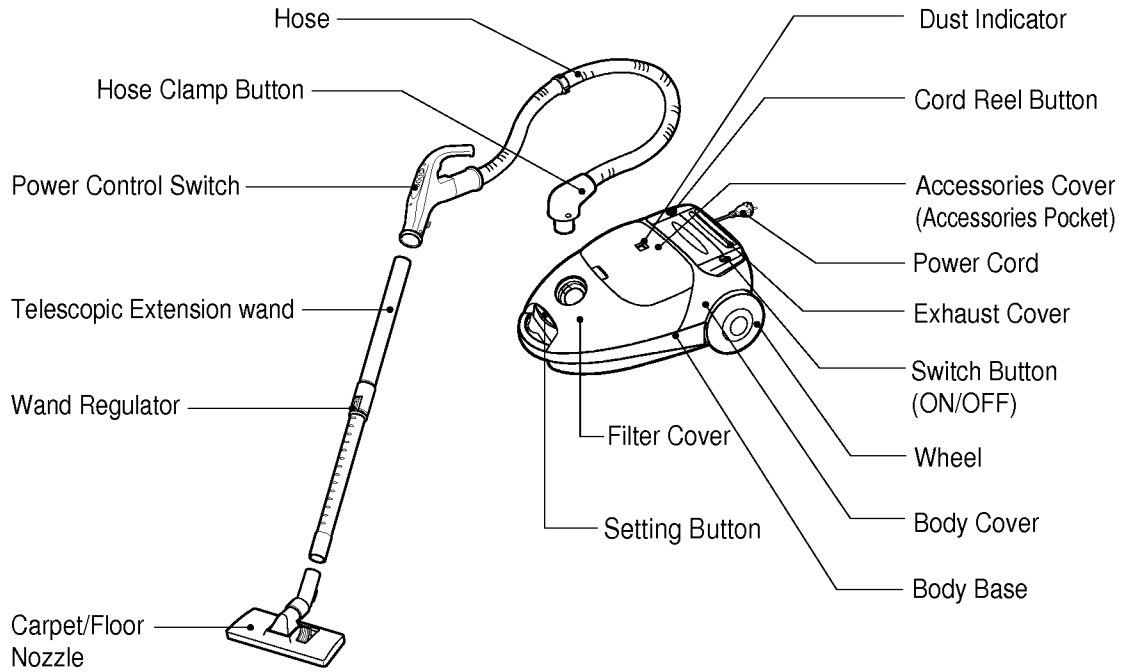
- POWER SOURCE ON THE RATING LABEL
- CAPACITY : 5 l
- CORD LENGTH : 6m
- NET WEIGHT : 5.8kg

These specifications are subject to change according to the agent/buyer's request..

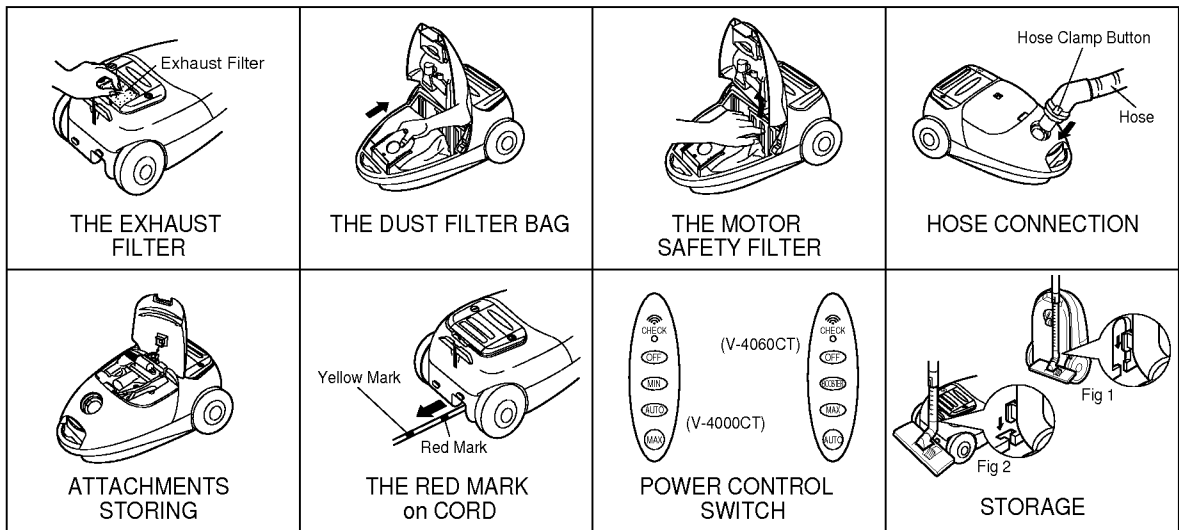
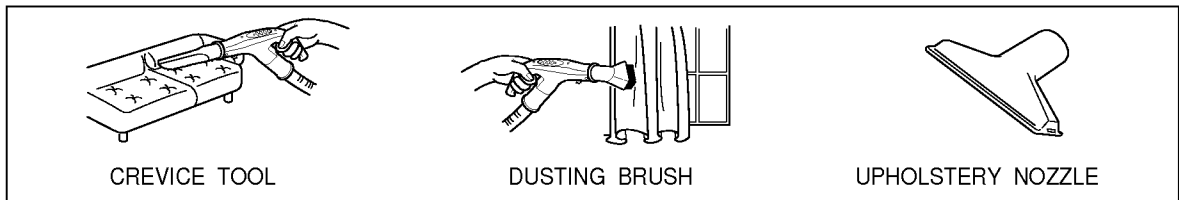
<p>THE SERIAL NUMBER IS FOUND ON THE BOTTOM OF THIS UNIT. THIS NUMBER IS UNIQUE TO THIS UNIT AND NOT AVAILABLE TO OTHERS. YOU SHOULD RECORD REQUESTED INFORMATION HERE AND RETAIN THIS GUIDE AS A PERMANENT RECORD OF YOUR PURCHASE.</p>	<p>DATE OF PURCHASE : _____</p> <p>DEALER PURCHASED FROM : _____</p> <p>DEALER ADDRESS : _____</p> <p>DEALER PHONE NO. : _____</p> <p>MODEL NO. : _____</p> <p>SERIAL NO. : _____</p>
--	---

# FEATURES

It is important to know the vacuum cleaner parts and features to assure its proper and safe use. Review these before using the v/cleaner.



## ATTACHMENTS



# OPERATING

## VACUUM CLEANER USE

1. NOZZLE Connection.  
Insert the EXTENSION WAND firmly into the NOZZLE.
2. HOSE Connection.
  - Insert the HOSE into body of the v/cleaner until a clicking sound is heard.
  - To remove the HOSE. depress the hose clamp button and pull out.
3. Plug connector
  - Plug the cord into an outlet located near the floor.
4. Power control switch
  - 1) V-4060CT
    - Adjust power with the power control switch in the handle.
    - Automatic: The normal cleaning mode this mode is used when optimal cleaning is required by the appliance sensing the floor condition and amount of dust present.
    - BOOSTER: This mode is suitable for removing dirt which is deep-embedded in a carpet or on the floor, and also recommended when the hose, the wand, or the nozzle is clogged with any bulky obstacles. Power in this mode is much higher than MAX mode power. BOOSTER operates for 10s and is restored to the last mode automatically.
    - MAX: This mode is used for cleaning carpets or similar items which require strong suction force.
    - OFF: Used to stop appliance operation.
  - 2) V-4000CT
    - Adjust power with the power control switch in the handle.
    - Automatic: The normal cleaning mode this mode is used when optimal cleaning is required by the appliance sensing the floor condition and amount of dust present.
    - MIN: This mode is used for cleaning at night, or when silent cleaning is required.
    - MAX: This mode is used for cleaning carpets or similar items which require strong suction force.
    - OFF: Used to stop appliance operation.
5. Pull out the cord from the back of the v/cleaner and plug into receptacle.
  - Excessive pulling out may cause problems with the reel.
6. EXTENSION WANDS Adjustment.
  - 1) TELESCOPIC EXTENSION WANDS  
Push the slider control downwards to extend or retract extension wands.
  - 2) 2 Pcs STEEL or ALUMINUM or PLASTIC  
Insert the EXTENSION WANDS firmly each other.
7. NOZZLE USE  
Pass the nozzle lightly over the floor. Do not exert excessive pressure, as this may damage the flooring, particularly parquet floors. Best results will be obtained by applying only light pressure. If the suction power weakened, raise the front end slightly.

## DUST INDICATOR

- GREEN : Continue to use.
- RED : Empty the filter bag. Filter bag is full
- Watch the dust indicator after detaching the nozzle 10cm from the floor.

## **THE DUST FILTER BAG REPLACEMENT**

1. Push the setting button, and then lift the filter cover.
2. Take out the DUST FILTER BAG.
3. Dispose or empty the DUST FILTER BAG.
  - 1) Paper filter bag  
After closing the hole, dispose of the bag and set new one.
  - 2) Cloth filter bag  
Slide the clip off and empty the bag.

## **THE MOTOR SAFETY FILTER CLEANING**

1. Pull out the MOTOR SAFETY FILTER
2. Shake the dust off and wash filter in a warm soapy water. Do not clean in a dish-washer or in a washing machine.
3. Remove the moisture. Dry the filter sufficiently in shade for about a day.

## **THE EXHAUST FILTER REPLACEMENT**

1. Open the exhaust cover.
2. Replace the old EXHAUST FILTER with the new or clean EXHAUST FILTER. Be sure to fit the black side of the EXHAUST FILTER down.

## **HOW TO USE THE ATTACHMENTS**

To use crevice tool, dusting brush or upholstery nozzle, open the accessory cover on the upside of the v/cleaner and take it out.

CREVICE TOOL : For the dust between the ribs of the radiator. between the shelves, or in the narrow gap.

DUSTING BRUSH: For gentle vacuuming of a delicate fabrics on the furniture, curtain etc.

UPHOLSTERY NOZZLE: For vacuuming of the dust on the upholstery.

## **HOW TO STORE THE VACUUM CLEANER**

- Store vacuum cleaner in a cool, clean, and dry place.
- Upright Position : Push the nozzle holder into the holder slot on the bottom of the v/cleaner.
- Horizontal Position: Push the nozzle holder into the holder slot on the rear of the v/cleaner.

## BEFORE REQUESTING SERVICE

Other than cleaning mentioned in this manual, no additional maintenance or servicing of this appliance is required. The motor is permanently lubricated and will require no oil. Repairs, when necessary, must be performed at an authorized service facilities. This appliance is intended for HOUSEHOLD USE ONLY and not for commercial or industrial use.

## TROUBLE SHOOTING CHART

Review this chart to find do-it-yourself solutions for minor performance problems.

**WARNING :** Disconnect power supply before servicing and/or cleaning the unit as electrical shock could occur and/or the cleaner could suddenly start.

Problem	Possible Cause	Possible solution
Cleaner won't run	<ol style="list-style-type: none"> <li>1. Unplugged at wall outlet.</li> <li>2. Power control S/W is in "OFF" position.</li> </ol>	<ol style="list-style-type: none"> <li>1. Plug in firmly</li> <li>2. Push switch button.</li> <li>3. Regulate power control switch.</li> </ol>
Poor suction	<ol style="list-style-type: none"> <li>1. Full or clogged filter bag.</li> <li>2. Clogged clean filter.</li> <li>3. Worn universal nozzle brush.</li> <li>4. Hole in hose.</li> <li>5. Clogged universal nozzle.</li> <li>6. Filter cover open.</li> </ol>	<ol style="list-style-type: none"> <li>1. Change the filter bag.</li> <li>2. Change the clean filter.</li> <li>3. Change brush.</li> <li>4. Replace hose.</li> <li>5. Clean the air passage of nozzle.</li> <li>6. Close filter cover.</li> </ol>
Cleaner picks movable rug-sor universal nozzle pushes too hard	<ol style="list-style-type: none"> <li>1. Suction too strong.</li> </ol>	<ol style="list-style-type: none"> <li>1. Regulate power control lever.</li> </ol>

⚠ The use of radio transmitting devices close to the appliance may interfere the function of the appliance, input power may vary.

# MEMO