

# GoldStar

website: <http://www.LGService.com>

e-mail: <http://www.LGService.com/techsup.html>

## ROOM AIR CONDITIONER OWNER'S MANUAL

Please read the operating instructions and safety precautions carefully and thoroughly before installing and operating your room air conditioner.

## MANUEL D'UTILISATION CLIMATISEUR DE FENÊTRE

Veuillez lire attentivement et en entier ce guide d'utilisation et les mesures de sécurité ci-incluses avant de procéder à l'installation et au fonctionnement de votre climatiseur.

## ACONDICIONADOR DE AIRE DE VENTANA MANUAL DEL PROPIETARIO

Por favor lea las instrucciones de operación y las precauciones de seguridad cuidadosa y totalmente antes de instalar y operar su acondicionador de aire de ventana.

MODELS, MODELES, MODELO: M8000R, M-8000





**Safety Precautions**

Safety Precautions .....3

**About the Controls on the Air Conditioner**

Controls.....5  
Remote Controller.....5  
Ventilation .....6  
Air Direction.....6  
How to Secure Drain Pan...6

**Care and Maintenance**

Air filter Cleaning.....7  
How to insert Batteries .....7

**Features**

Features .....8

**Installation**

How to install the unit.....9  
Window Requirements.....9  
Installation Kits Contents..10  
Suggested Tool  
Requirements.....10  
Cabinet Installation.....11  
How to use the Reversible  
Inlet Grille .....13  
Electrical Data .....13  
Electrical Safety .....14

**Before you call for service...**

Normal Operating.....15  
Abnormal Operation.....15

**FOR YOUR RECORDS**

Staple your receipt to this page in case you need it later.  
Write down the model and serial numbers here:

Model # \_\_\_\_\_

Serial # \_\_\_\_\_

You can find them on a label on the side of each unit.

Dealer's Name \_\_\_\_\_

Date Purchased \_\_\_\_\_

**READ THIS MANUAL**

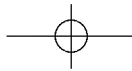
Inside you will find many helpful hints on how to use and maintain your air conditioner properly. Just a little preventive care on your part can save you a great deal of time and money over the life of your air conditioner.

You'll find many answers to common problems in the chart of troubleshooting tips. If you review our chart of **Troubleshooting Tips** first, you may not need to call for service at all.

**CAUTION**

- Contact the authorized Service technician for repair or maintenance of this unit.
- The air conditioner is not intended for use by young children or infirm persons without supervision.
- Young children should be supervised to ensure that they do not play with the air conditioner.





# Safety Precautions

To prevent injury to the user or other people and property damage, the following instructions must be followed.

■ Incorrect operation due to ignoring of instruction will cause harm or damage. The seriousness is classified by the following indications.



## WARNING

: This symbol indicates the possibility of death or serious injury.



## CAUTION

: This symbol indicates the possibility of injury or damage to properties only.

■ Meanings of symbols used in this manual are as shown below.



**Be sure not to do.**

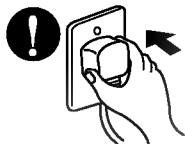


**Be sure to follow the instruction.**



## WARNING

• Otherwise, it will cause electric shock or fire due to heat generation.



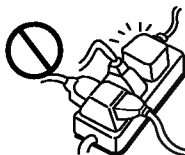
• It will cause electric shock or fire due to heat generation.



• It will cause electric shock or fire.  
• If the power cord is damaged, it must be replaced by the manufacturer or an authorized service center or a similarly qualified person in order to avoid a hazard.



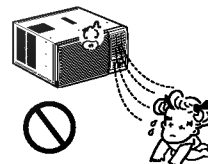
• It will cause electric shock or fire due to heat generation.

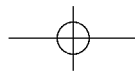


• It will cause electric shock.



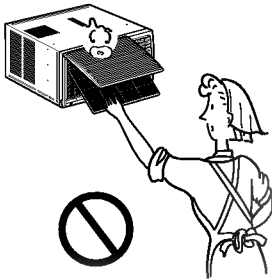
• This could damage your health.



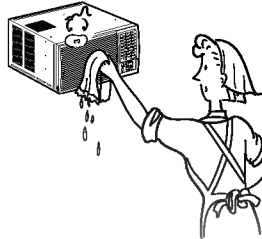


**CAUTION**

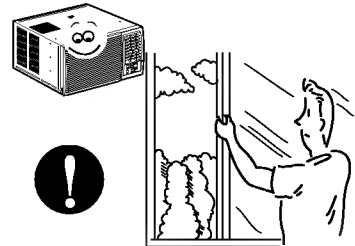
• It may cause an injury.



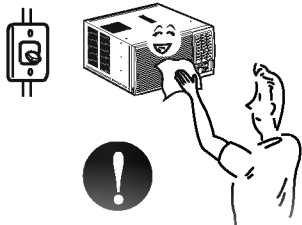
• Water may enter the unit and degrade the insulation. It may cause an electric shock.



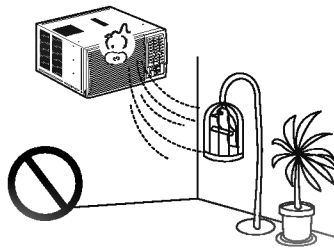
• An oxygen shortage may occur.



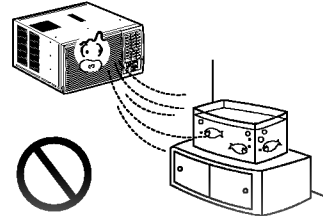
• Since the fan rotates at high speed during operation, it may cause an injury.



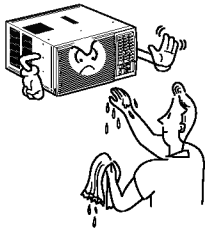
• This could injure the pets or plants.



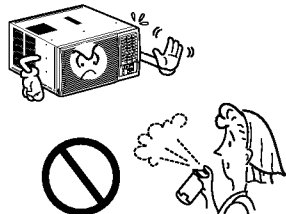
• Do not use this air conditioner to preserve precision devices, food, pets, plants, and art objects. It may cause deterioration of quality, etc.



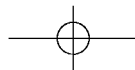
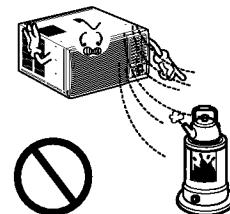
• It may cause an electric shock.

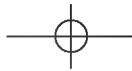


• It may cause a fire or deformation of the cabinet.



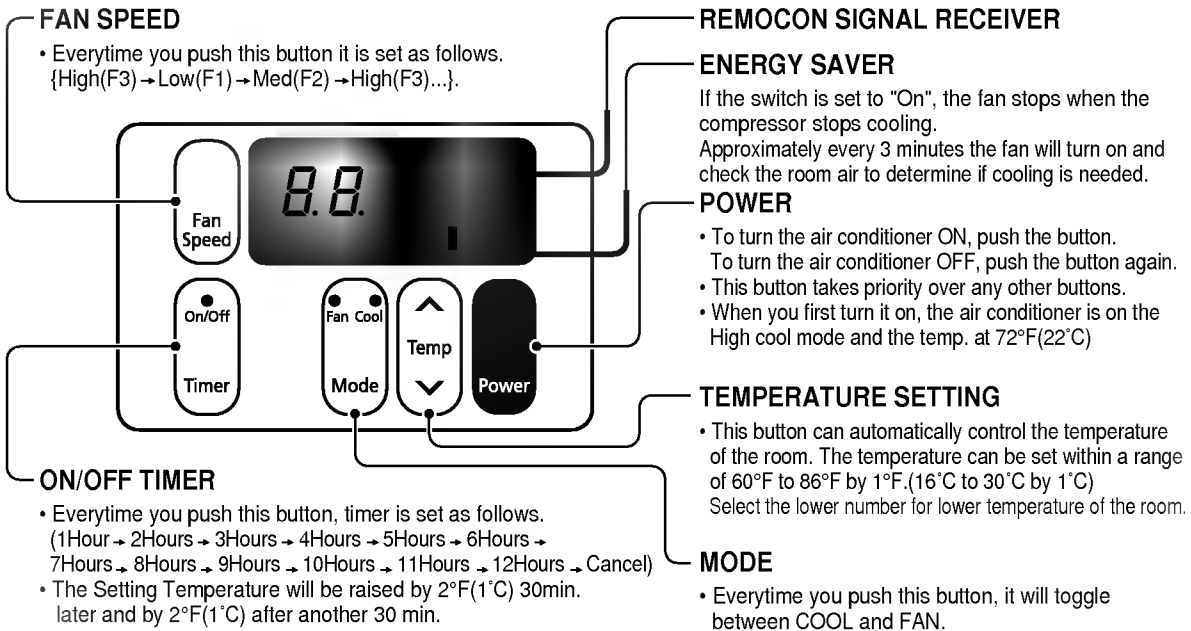
• It may cause imperfect combustion.





# About the Controls on the Air Conditioner

## Controls



## Remote controller

**Precaution:** The Remote Controller will not function properly if strong light strikes the sensor window of the air conditioner or if there are obstacles between the Remote Controller and the air conditioner.

### ON/OFF TIMER

- STOPPING OPERATION
- Everytime you push this button, when the air conditioner is operating, timer is set as follows. (1Hour → 2Hours → 3Hours → 4Hours → 5Hours → 6Hours → 7Hours → 8Hours → 9Hours → 10Hours → 11Hours → 12Hours → Cancel)
- The Setting Temperature will be raised by 2°F(1°C) 30min. later and by 2°F(1°C) after another 30 min.
- STARTING OPERATION
- Everytime you push this button, when the air conditioner is not operating, timer is set as follow. (1Hour → 2Hours → 3Hours → 4Hours → 5Hours → 6Hours → 7Hours → 8Hours → 9Hours → 10Hours → 11Hours → 12Hours → Cancel)

### MODE

- Everytime you push this button, it will toggle between COOL and FAN.

### FAN SPEED

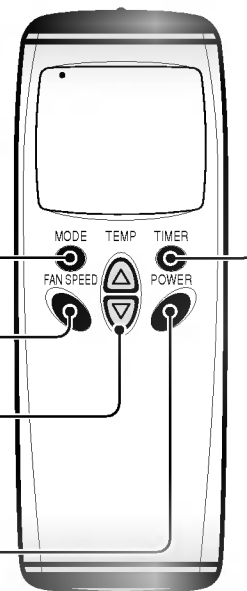
- Everytime you push this button it is set as follows. {High(F3) → Low(F1) → Med(F2) → High(F3)...}.

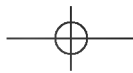
### TEMPERATURE SETTING

- This button can automatically control the temperature of the room. The temperature can be set within a range of 60°F to 86°F by 1°F.(16°C to 30°C by 1°C) Select the lower number for lower temperature of the room.

### POWER

- To turn the air conditioner ON, push the button. To turn the air conditioner OFF, push the button again.
- This button takes priority over any other buttons.
- When you first turn it on, the air conditioner is on the High cool mode and the temp. at 72°F(22°C).

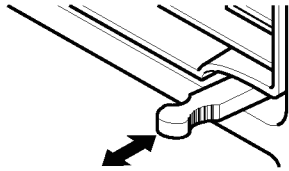




### Additional controls and important information.

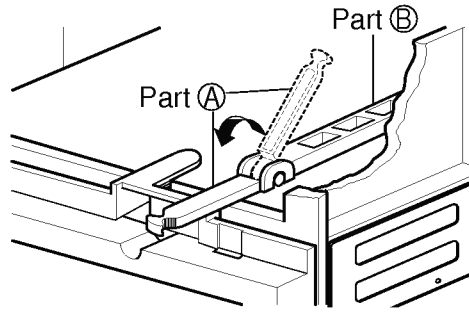
#### Ventilation

The ventilation lever must be in the CLOSE position in order to maintain the best cooling conditions. When fresh air is necessary in the room, set the ventilation lever to the OPEN position. The damper is opened and room air is drawn out.

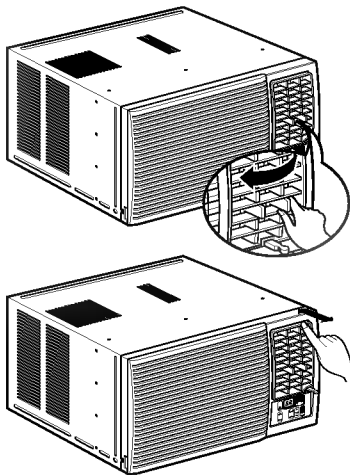


CLOSE VENT OPEN

NOTE: Before using the ventilation feature, make a ventilation kit. First, pull down part ① to horizontal line with part ②.



#### Air Direction



The direction of air can be controlled wherever you want to cool by adjusting the horizontal louver and the vertical louver.

- **HORIZONTAL AIR-DIRECTION CONTROL**

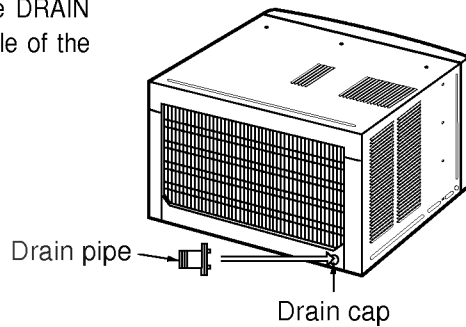
The horizontal air direction is adjusted by rotating the vertical louver right or left.

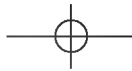
- **VERTICAL AIR-DIRECTION CONTROL**

The vertical air direction is adjusted by rotating the horizontal louver forward or backward.

#### How to Secure the Drain Pipe

In humid weather, excess water may cause the BASE PAN to overflow. To drain the water, remove the DRAIN CAP and secure the DRAIN PIPE to the rear hole of the BASE PAN.





# Care and Maintenance

TURN THE AIR CONDITIONER OFF AND REMOVE THE PLUG FROM THE POWER OUTLET.

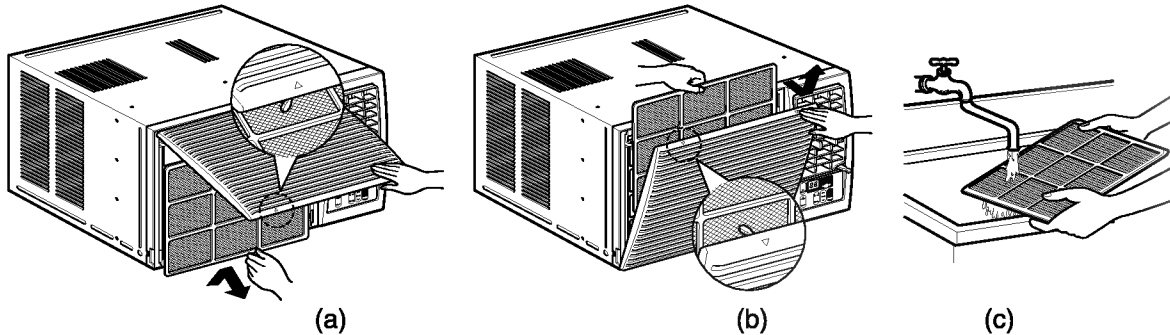
## Air Filter Cleaning

The air filter behind the front grille should be checked and cleaned at least once every 2 weeks or more often if necessary.

The grille is designed to clean the filter both upward and downward.

### TO REMOVE:

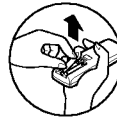
1. Open the inlet grille upward by pulling out the bottom of the inlet grille or downward by pulling out the top of the inlet grille.
2. Using the tab, pull up slightly on the filter to release it and pull it down or up.
3. Clean the filter with warm, soapy water below 40°C (104°F).
4. Rinse and gently shake the water from the filter and let it dry before replacing it.



**CAUTION:** DO NOT operate the air conditioner without a filter because dirt and lint will clog it and reduce performance.

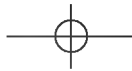
## HOW TO INSERT BATTERIES

1. Remove the cover from the back of the remote controller.
  - Slide the cover according to the arrow direction.
2. Insert two batteries.
  - Be sure that the (+) and (-) directions are correct.
  - Be sure that both batteries are new.
3. Re-attach the cover.
  - Slide it back into position.



- Do not use rechargeable batteries. Such batteries differ from standard dry cells in shape, dimensions, and performance.
- Remove the batteries from the remote controller if the air conditioner is not going to be used for an extended length of time.

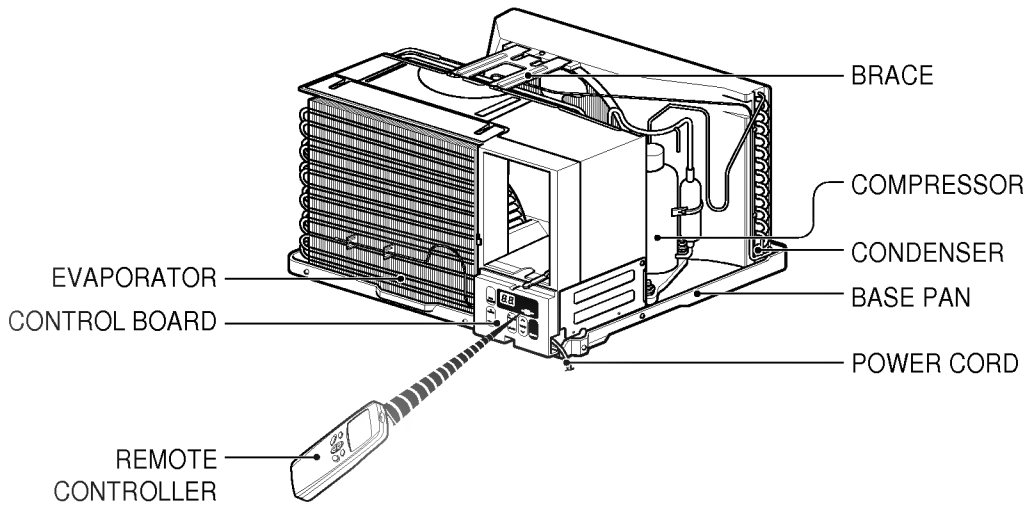
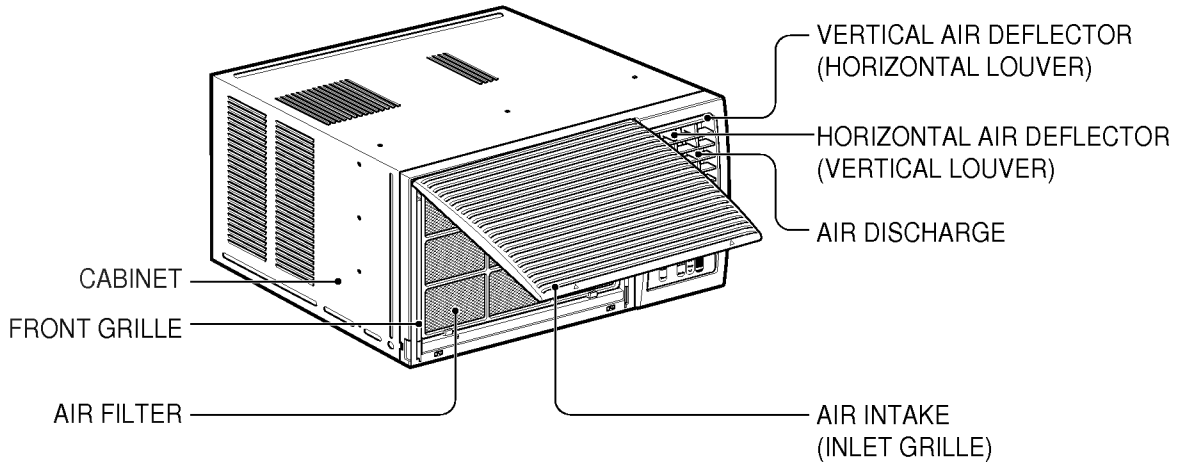




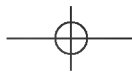
# Features

Learning parts name prior to installation will help you understand the installation procedure.

## Features



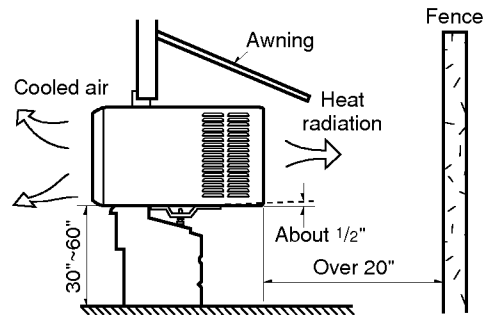




# INSTALLATION

## How to Install the Unit

1. To prevent vibration and noise, make sure the unit is installed securely and firmly
2. Install the unit where the sunlight does not shine directly on the unit.
3. The outside of the cabinet must extend outward for at least 11" and there should be no obstacles, such as a fence or wall, within 20" from the back of the cabinet because it will prevent heat radiation of the condenser.  
Restriction of outside air will greatly reduce the cooling efficiency of the air conditioner.



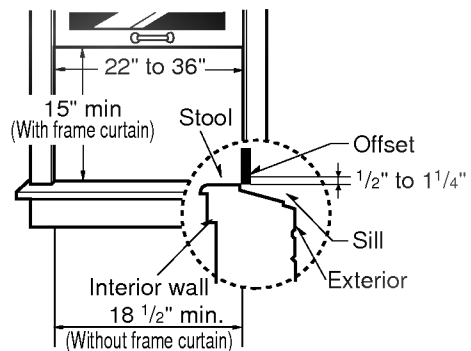
**CAUTION:** All side louvers of the cabinet must remain exposed to the outside of the structure.

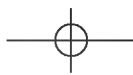
4. Install the unit a little slanted so the back is slightly lower than the front (about  $\frac{1}{2}$ "). This will force condensed water to flow to the outside.
5. Install the unit with the bottom about 30"~60" above the floor level.

## Window Requirements

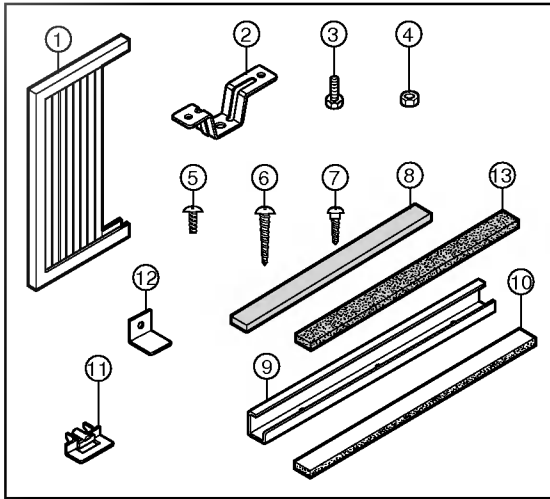
NOTE: All supporting parts should be secured to firm wood, masonry, or metal.

This unit is designed for installation in standard double hung windows with actual opening widths from 22" to 36". The top and bottom window sash must open sufficiently to allow a clear vertical opening of 15" from the bottom of the upper sash to the window stool.





## Installation Kits Contents



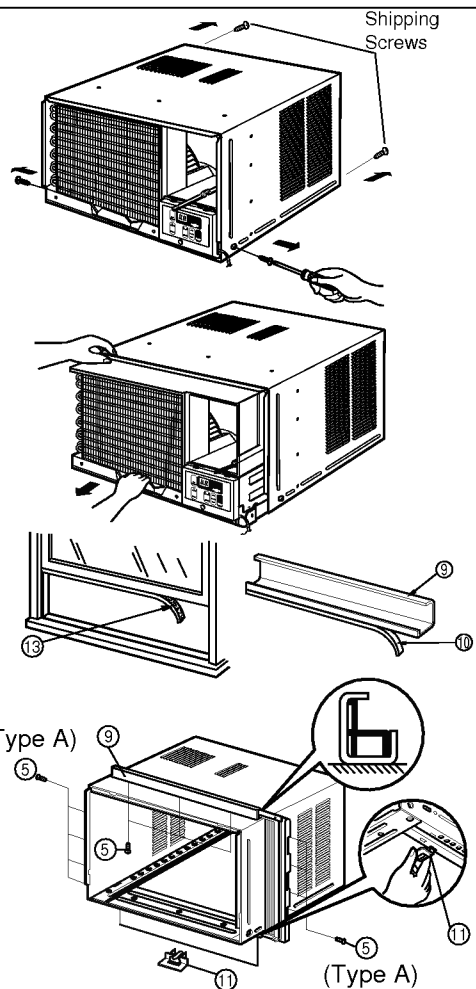
NO.	NAME OF PARTS	Q'TY
1	FRAME CURTAIN	2
2	SILL SUPPORT	2
3	BOLT	2
4	NUT	2
5	SCREW(TYPE A)	16
6	SCREW(TYPE B)	3
7	SCREW(TYPE C)	5
8	FOAM-STRIP	1
9	UPPER GUIDE	1
10	FOAM-PE	1
11	FRAME GUIDE	2
12	WINDOW LOCKING BRACKET	1
13	FOAM-PE	1

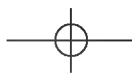
## Suggested Tool Requirements

SCREWDRIVER(+, -), RULER, KNIFE, HAMMER, PENCIL, LEVEL

### PREPARATION OF CHASSIS

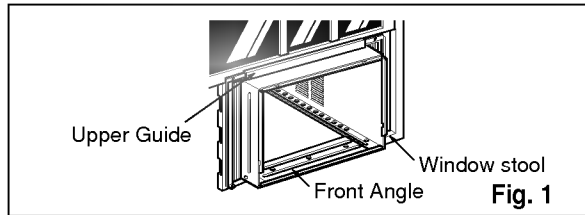
- Remove the screws which fasten the cabinet at both sides and at the back.
- Slide the unit from the cabinet by gripping the base pan handle and pulling forward while bracing the cabinet.
- Cut the window sash seal to the proper length.  
Peel off the backing and attach the foam-pe  $\times$  to the underside of the window sash.
- Remove the backing from the top upper guide Foam PE  $\times$  and attach it to the bottom of the upper guide  $\times$ .
- Attach the upper guide onto the top of the cabinet with 3 type A screws.
- Insert the frame guides  $\times$  into the bottom of the cabinet.
- Insert the Frame Curtain  $\times$  into the upper guide  $\times$  and frame guides  $\times$ .
- Fasten the curtains to the unit with 4 Type A screws.





## Cabinet Installation

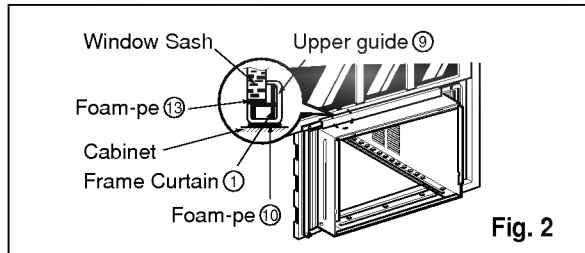
1. Open the window. Mark a line on center of the window stool(or desired air conditioner location). Carefully place the cabinet on the window stool and align the center mark on the bottom front with the center line marked in the window stool.



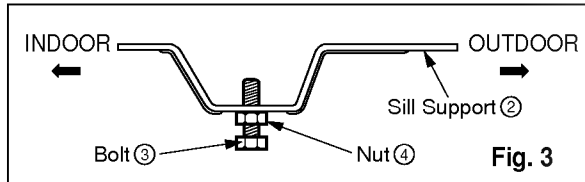
2. Pull the bottom window sash down behind the upper guide until it meets.

### NOTE:

- Do not pull the window sash down so tightly that the movement of Frame Curtain is restricted.

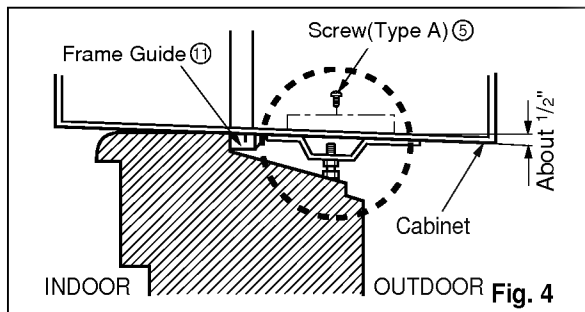


3. Loosely assemble the sill support using the parts in Fig. 3.



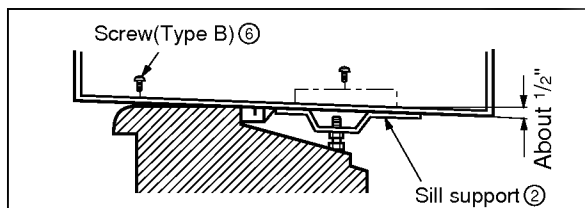
4. Select the position that will place the sill support near the outer most point on sill (See Fig. 4)

**NOTE:** Be careful when you install the cabinet (frame guides are broken so easily).

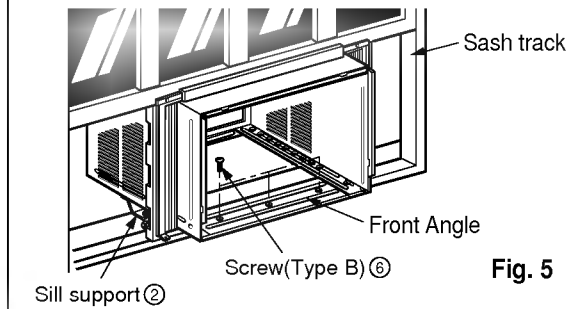


5. Attach the sill support to the cabinet track hole in relation to the selected position using 2 Type A screws in each support(See Fig. 4).

6. The cabinet should be installed with a very **slight tilt(about 1/2") downward** toward the outside (See Fig. 5). Adjust the bolt and the nut of sill support for balancing the cabinet.



7. Attach the cabinet to the window stool by driving the screws (Type B: Length sixteen millimeters and below.) through the front angle into window stool.



8. Pull each Frame curtain fully to each window sash track, and repeat step 2.





9. Attach each Frame curtain the window sash using screws ✕ (Type C).(See Fig. 6)

**CAUTION: DO NOT DRILL A HOLE IN THE BOTTOM PAN.**

The unit is designed to operate with approximately 1/2" of water in bottom pan.

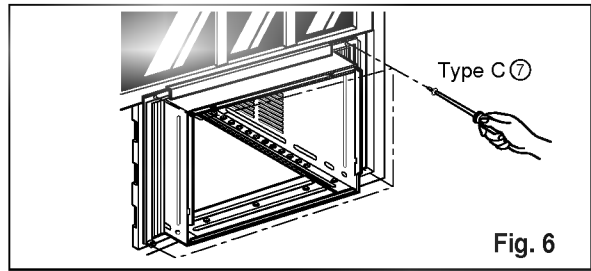


Fig. 6

10. Slide the unit into the cabinet.(See Fig. 7)

**CAUTION:** For security purpose, reinstall screws(Type A) at cabinet's sides.

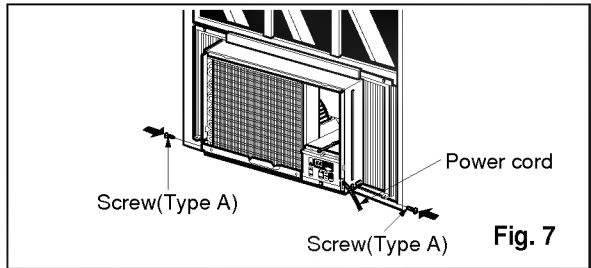


Fig. 7

11. Cut the foam-strip ✕ to the proper length and insert between the upper window sash and the lower window sash. (See Fig. 8)

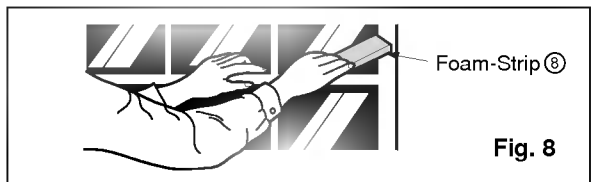


Fig. 8

12. Attach the window locking bracket ✕ with a type C screw. (See Fig. 9)

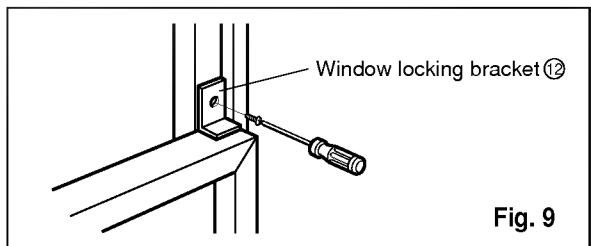


Fig. 9

13. Attach the front grille to the cabinet by inserting the tabs on the grille into the tabs on the front of the cabinet. Push the grille in until it snaps into place. (See Fig.10)

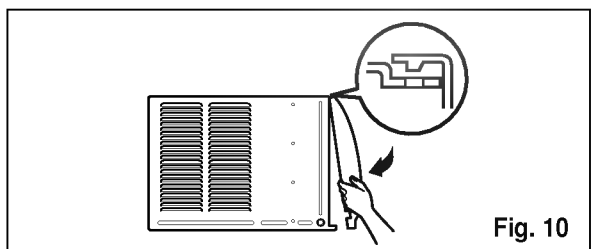


Fig. 10

14. Lift the inlet grille and secure it with a type A screw through the front grille. (See Fig. 11)

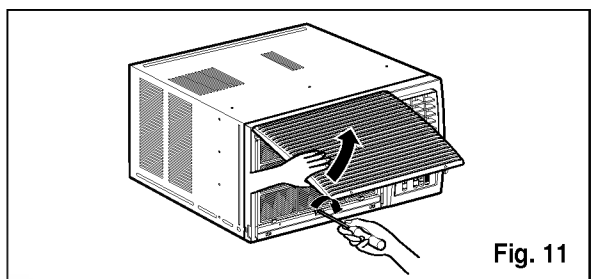
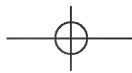


Fig. 11

15. **Window installation of room air conditioner is now completed. See ELECTRICAL DATA for attaching power cord to electrical outlet.**





## How to Use the Reversible Inlet Grille

1. If you want to pull out the filter upward, open the inlet grille slightly. Turn inside out the front grille.

Disassemble the inlet grille from the front grille with separating the hinged part by inserting a "—" type screw-driver tip.

Rotate the inlet grille 180 degrees and insert the hooks into the lower holes of front grille.

Then, insert the filter. (See Fig.12, 13)

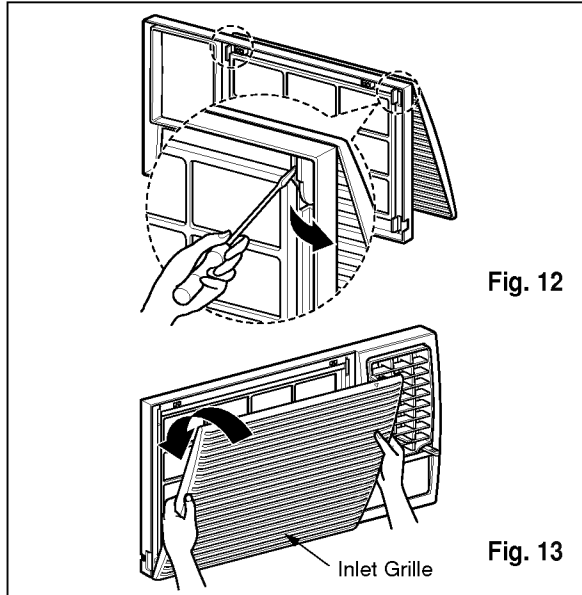


Fig. 12

Fig. 13

2. Attach the front grille to the cabinet by inserting the tabs on the grille into the tabs on the front of the cabinet. Push the grille in until it snaps into place. (See Fig.14)

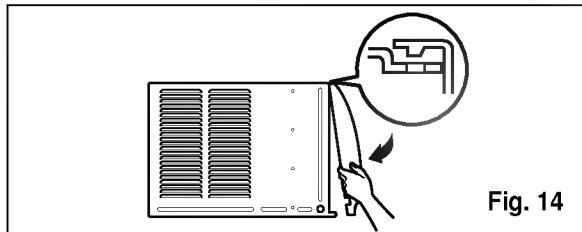


Fig. 14

3. Lift the inlet grille and secure it with a type A screw through the front grille. (See Fig. 15)

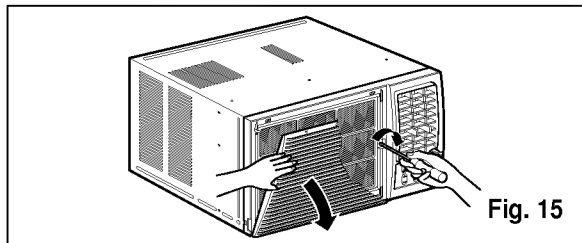
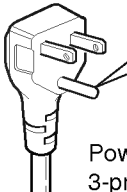
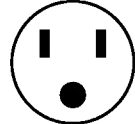


Fig. 15

4. If you want to pull out the filter downward, use the reversible inlet grille without change. (The grille is already assembled for that way.)

## Electrical Data

Line Cord Plug	Use Wall Receptacle	Power Supply
 <p>Do not under any circumstances cut or remove the grounding prong from the plug.</p> <p>Power supply cord with 3-prong grounding plug</p>	 <p>Standard 125V, 3-wire grounding receptacle rated 15A, 125V AC</p>	<p>Use 15 AMP, time delay fuse or circuit breaker.</p>

### USE OF EXTENSION CORDS

Because of potential safety hazards, we strongly discourage the use of an extension cord. However, if you wish to use an extension cord, use a CSA certified/UL-listed 3-wire (grounding) extension cord, rated 15A, 125V.



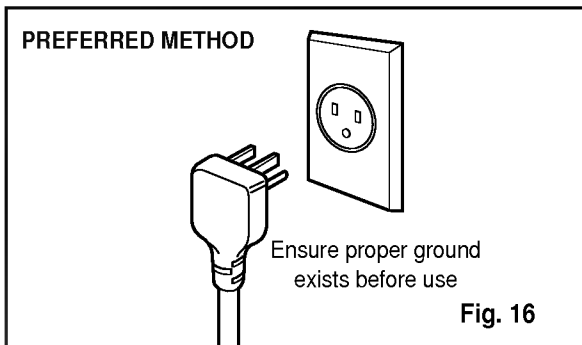


## Electrical Safety

### IMPORTANT (PLEASE READ CAREFULLY)

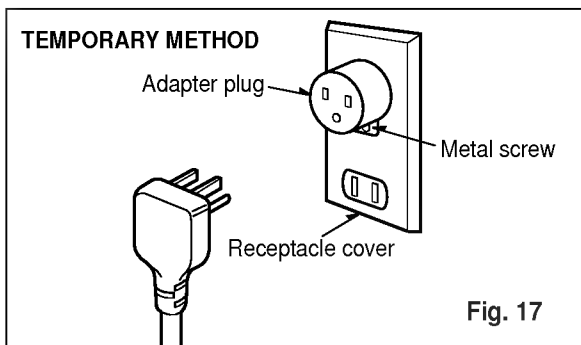
**FOR THE USER'S PERSONAL SAFETY, THIS APPLIANCE MUST BE PROPERLY GROUNDED**

The power cord of this appliance is equipped with a three-prong(grounding) plug. Use this with a standard three-slot(grounding) wall power outlet(Fig. 16) to minimize the hazard of electric shock. The customer should have the wall receptacle and circuit checked by a qualified electrician to make sure the receptacle is properly grounded.



**DO NOT CUT OR REMOVE THE THIRD(GROUND) PRONG FROM THE POWER PLUG.**

**A. SITUATIONS WHERE THE APPLIANCE WILL BE DISCONNECTED ONLY OCCASIONALLY:**



Because of potential safety hazards, we strongly discourage the use of an adapter plug. However, if you wish to use an adapter, a TEMPORARY CONNECTION may be made. Use UL-listed adapter, available from most local hardware store(Fig. 17). The large slot in the adapter must be aligned with the large slot in the receptacle to assure a proper polarity connection.

**CAUTION:** Attaching the adapter ground terminal to the wall receptacle cover screw does not ground the appliance unless the cover screw is metal, and not insulated, and the wall receptacle is grounded through the house wiring.

The customer should have the circuit checked by a qualified electrician to make sure the receptacle is properly grounded.

Disconnect the power cord from the adapter, using one hand on each. Otherwise, the adapter ground terminal might break. **DO NOT USE** the appliance with a broken adapter plug.

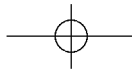
**B. SITUATIONS WHERE THE APPLIANCE WILL BE DISCONNECTED OFTEN.**

Do not use an adapter plug in these situations. Unplugging the power cord frequently can lead to an eventual breakage of the ground terminal. The wall power outlet should be replaced by a three-slot(grounding) outlet instead.

### USE OF EXTENSION CORDS

Because of potential safety hazards, we strongly discourage the use of an extension cord. However, if you wish to use an extension cord, use a CSA certified/UL-listed 3-wire(grounding) extension cord, rated 15A, 125V.





# Before you call for service...

*Troubleshooting Tips  
Save time and money! Review the chart below first and  
you may not need to call for service.*

## Normal Operating

- You may hear a pinging noise caused by water being picked up and thrown against the condenser on rainy days or when the humidity is high. This design feature helps remove moisture and improve efficiency.
- You may hear the thermostat click when the compressor cycles on and off.
- Water will collect in the base pan during high humidity or on rainy days. The water may overflow and drip from the outdoor side of the unit.
- The fan may run even when the compressor does not.

## Abnormal Operation

<b>Air conditioner does not start</b>	■ <i>The air conditioner is unplugged.</i>	• Make sure the air conditioner plug is pushed completely into the outlet.
	■ <i>The fuse is blown/circuit breaker is tripped.</i>	• Check the house fuse/circuit breaker box and replace the fuse or reset the breaker.
	■ <i>Power failure.</i>	• When power is restored, wait 3 minutes to restart the air conditioner to prevent tripping of the compressor overload.
<b>Air conditioner does not cool as it should</b>	■ <i>Airflow is restricted.</i>	• Make sure there are no curtains, blinds, or furniture blocking the front of the air conditioner.
	■ <i>TEMP Control set too higher number.</i>	• Set the TEMP Control to a lower number.
	■ <i>The air filter is dirty.</i>	• Clean the filter at least every 2 weeks. See the operating instructions section.
	■ <i>The room may have been hot.</i>	• When the air conditioner is first turned on you need to allow time for the room to cool down.
	■ <i>Cold air is escaping.</i>	• Check for open furnace floor registers and cold air returns. • Set the air conditioner's vent to the closed position.
<b>Air conditioner freezing up</b>	■ <i>Cooling coils have iced up.</i>	• See Air Conditioner Freezing Up below.
	■ <i>Ice blocks the air flow and stops the air conditioner from cooling the room.</i>	• Set the mode control at <b>High Fan</b> or <b>High Cool</b> with the high temperature.

