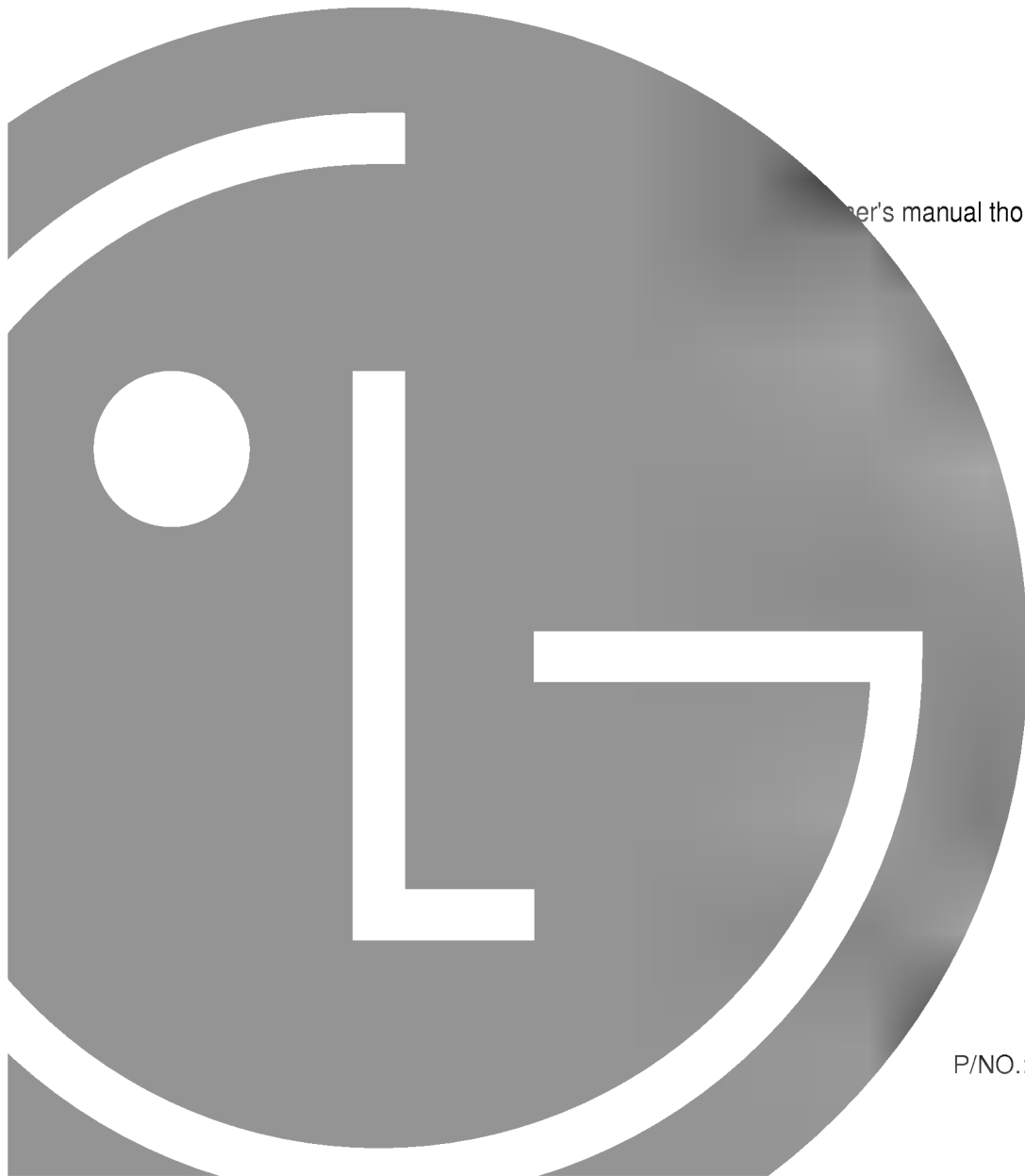




Microwave Oven **OWNER'S MANUAL**

MODEL : MS-109XE



er's manual thoroughly before

P/NO.: 3828W5A1034

PRECAUTIONS TO AVOID POSSIBLE EXPOSURE TO EXCESSIVE MICROWAVE ENERGY

Do not attempt to operate the oven with the door open since open door operation can result in harmful exposure to microwave energy. It is important not to tamper with the safety interlocks.

Do not place any object between the oven front face and the door or allow soil or cleaner residue to accumulate on sealing surfaces.

Do not operate the oven if it is damaged. It is particularly important that the oven door closes properly and that there is no damage to the (1) door, bent, (2) hinges and latches (broken or loosened), (3) door seals and sealing surfaces.

The oven should not be adjusted or repaired by anyone except properly qualified service personnel.

WARNING

Please ensure cooking times are correctly set as over cooking may result in FIRE and subsequent damage to the oven.

WARNING

When heating liquids, e.g. soups, sauces and beverages in your microwave oven, overheating the liquid beyond boiling point can occur without evidence of bubbling. This could result in a sudden boil over of the hot liquid. To prevent this possibility the following steps should be taken :

1. Avoid using straight sided containers with narrow necks.
2. Do not overheat.
3. Stir the liquid before placing the container in the oven and again halfway through the heating time.
4. After heating, allow to stand in the oven for a short time, stir or shake them again carefully and check the temperature of them before consumption to avoid burns (especially, contents of feeding bottles and baby food jars).

Important Safety Instructions

WARNING - To reduce the risk of burns, electric shock, fire, injury to persons or exposure to excessive microwave energy:

1. Read all instructions before using the appliance.
2. Read and follow the specific **“PRECAUTIONS TO AVOID POSSIBLE EXPOSURE TO EXCESSIVE MICROWAVE ENERGY”** found on page 2 of this manual.
3. This appliance must be grounded. Connect only to properly grounded outlet.
See **“GROUNDING INSTRUCTIONS”** found on page 5 of this manual.
4. Install or locate this appliance only in accordance with the provided installation instructions.
5. Some products such as whole eggs and sealed containers-for example, closed glass jars-may explode and should not be heated in this oven.
6. Use this appliance only for its intended use as described in the manual. Do not use corrosive chemicals or vapors in this appliance. This type of oven is specifically designed to heat, cook, or dry food. It is not designed for industrial or laboratory use.
7. As with any appliance, close supervision is necessary when used by children.
8. Do not operate this appliance if it has a damaged cord or plug, if it is not working properly, or if it has been damaged or dropped.
9. This appliance should be serviced only by qualified service personnel. Contact nearest authorized service facility for examination, repair or adjustment.
10. Do not cover or block any openings on the appliance.
11. Do not store this appliance outdoors. Do not use this product near water-for example, near a kitchen sink, in a wet basement, or near a swimming pool, and the like.
12. Do not immerse cord or plug in water.
13. Keep cord away from heated surfaces.
14. Do not let cord hang over edge of table or counter.
15. Either-(a) When cleaning surfaces of door and oven that comes together on closing the door, use only mild, nonabrasive soaps or detergents applied with a sponge or soft cloth; or when separate cleaning instructions apply, (b) See door surface cleaning instruction on (specific page or section to be included).
16. To reduce the risk of fire in the oven cavity:
 - a. Do not overcook food. Carefully attend appliance if paper, plastic, or other combustible materials are placed inside the oven to facilitate cooking.
 - b. Remove wire twist-ties from paper or plastic bags before placing bag in oven.
 - c. If materials inside the oven should ignite, **KEEP OVEN DOOR CLOSED**, turn oven off, and disconnect the power cord, or shut off power at the fuse or circuit breaker panel.
 - d. Do not use the cavity for storage purposes. Do not leave paper products, cooking utensils, or food in the cavity when not in use.
17. Do not heat any type of baby bottles or baby food. Uneven heating may occur and could cause personal injury.
18. Avoid heating small-necked containers such as syrup bottles.
19. Avoid using corrosive and vapors, such as sulfide and chloride.
20. Liquids heated in certain shaped containers (especially cylindrical-shaped containers) may become overheated. The liquid may splash out with a loud noise during or after heating or when adding ingredients (instant coffee, etc.) resulting in harm to the oven and possible injury. In all containers, for best results, stir the liquid several times before heating. Always stir liquid several times between reheatings.

SAVE THESE INSTRUCTIONS

Table of Contents

4	TECHNICAL SPECIFICATION
5	INSTALLATION
7	INTRODUCTION
10	FEATURES DIAGRAM / CONTROL PANEL
11	OPERATING INSTRUCTIONS
18	FRESH VEGETABLE CHART
19	OTHER HELPFUL INSTRUCTIONS
20	SAFETY PRECAUTIONS
21	QUESTIONS AND ANSWERS

Technical Specifications

Power Input	120V AC / 60Hz
Output	1,000W (IEC705 RATING STANDARD)
Microwave Frequency	2450MHz
Outside Dimensions	530mm(W) X 314mm(H) X 394mm (D)
Cavity Dimensions	349mm(W) X 222mm(H) X 365mm (D)
Power Consumption	1500W

Installation

A. GROUNDING INSTRUCTIONS

For personal safety, this appliance must be properly grounded.

In the event of an electrical short circuit, grounding reduces the risk of electric shock by providing an escape route for the electric current.

The power cord of this appliance is equipped with plug to minimize the possibility of electric shock hazard from this appliance.

The plug must be plugged into an outlet that is properly installed and grounded.

WARNING – Improper use of the grounding plug can result in a risk of electric shock.

The consumer should have it checked by a qualified electrician or serviceman if the grounding instructions are not completely understood, or if doubt exists as to whether the appliance is properly grounded.

Caution: Attaching the adapter ground terminal to the wall receptacle cover screw does not ground the appliance unless the cover screw is metal, and not insulated, and the wall receptacle is grounded through the house wiring.

- Usage situations where the appliance power cord will be disconnected frequently: Do not use an adapter plug in these situations because disconnecting of the power cord causes undue strain on the adapter and leads to eventual failure of the adapter ground terminal.

NOTE:

1. Short power-supply cord is provided to reduce the risks resulting from becoming entangled in or tripping over a longer cord.
2. Longer cord sets or extension cords are available and may be used if care is exercised in their use.
3. If a long cord or extension cord is used. (1) the marked electrical rating of the cord set or extension cord should be at least as great as the electrical rating of the appliance, (2) the longer cord should be arranged so that it will not drape over the countertop or tabletop where it can be pulled on by children or tripped over accidentally.

Installation

B. CIRCUITS

For safety purposes this oven must be plugged into a 15 Amp circuit. No other electrical appliances or lighting circuits should be on this line. If in doubt, consult a licensed electrician.

C. VOLTAGE WARNING

The voltage used at the wall receptacle must be the same as specified on the oven serial plate located on the back or on the side of the control panel of the oven. Use of a higher voltage is dangerous and may result in a fire or other type of accident causing oven damage.

Low voltage will cause slow cooking. In case your microwave oven does not perform normal operation in accordance with AC power source and voltage, remove the power cord and then insert it again.

D. DO NOT BLOCK AIR VENTS

All air vents should be kept clear during cooking. If air vents are covered during oven operation the oven may overheat. In this case a sensitive thermal safety device automatically turns the oven off. The oven will be inoperable until it has cooled sufficiently.

E. PLACEMENT OF THE OVEN

Your microwave oven can be placed easily in your kitchen, family room, or anywhere else in your home. Place the oven on a flat surface such as a kitchen countertop or a specially designed microwave oven cart. Do not place oven above a gas or electric range. Free air flow around the oven is important.

F. RADIO INTERFERENCE

1. Operation of the microwave oven may cause interference to your radio, TV or similar equipment.
2. When there is interference, it may be reduced or eliminated by taking the following measures:
 - a. Clean door and sealing surfaces of the oven
 - b. Reorient the receiving antenna of radio or television.
 - c. Relocate the microwave oven with respect to the receiver.
 - d. Move the microwave oven away from the receiver.
 - e. Plug the microwave oven into a different outlet so that microwave oven and receiver are on different branch circuits.

Introduction

How the Microwave Oven Works

Microwaves are a form of energy similar to radio and television waves and ordinary daylight. Ordinarily, microwaves spread outwards as they travel through the atmosphere and disappear without effect.

Microwave ovens, however, have a magnetron which is designed to make use of the energy in microwaves. Electricity, supplied to the magnetron tube, is used to create microwave energy. These microwaves enter the cooking area through openings inside the oven. A turntable or tray is located at the bottom of the oven. Microwaves cannot pass through metal walls of the oven, but they can penetrate such materials as glass, porcelain and paper, the materials out of which microwave-safe cooking dishes are constructed. Microwaves do not heat the cookware, though cooking vessels will eventually get hot from the heat generated by the food.

A very safe appliance. Your microwave oven is one of the safest of all home appliances. When the door is opened, the oven automatically stops producing microwaves. Microwave energy is converted completely to heat when it enters food, leaving no "left over" energy to harm you when you cook your food.

Getting The Best Results From Your Microwave Oven

Keeping an eye on things. The recipes in this book have been formulated with great care, but your success in preparing them depends, of course, on how much attention you pay to the food as it cooks. Always watch your food while it cooks. Your microwave oven is equipped with a light that turns on automatically when the oven is in operation so that you can see inside and check the progress of your recipe. Directions given in recipes to 'elevate', 'stir', and the like should be thought of as the minimum steps recommended. If the food seems to be cooking unevenly, simply make the necessary adjustments you think appropriate to correct the problem.

Factors affecting cooking times. To check the wattage of your oven, refer to the specifications at the beginning of this book. Many factors affect cooking times. The temperature of ingredients used in a recipe makes a big difference in cooking times.

For example, a cake made with ice-cold butter, milk, and eggs will take considerably longer to bake than one made with ingredients that are at room temperature. All of the recipes in this book give a range of cooking times. In general, you will find that the food remains under-cooked at the lower end of the time range, and you may sometimes want to cook your food beyond the maximum time given, according to personal preference. The governing philosophy of this book is that it is best for a recipe to be conservative in giving cooking times. While undercooked food is ruined for good. Some of the recipes, particularly those for bread, cakes, and custards, recommend that food be removed from the oven when they are slightly undercooked. This is not a mistake. When allowed to stand, usually covered, these foods will continue to cook outside of the oven as the heat trapped within the outer portions of the foods gradually travels inward. If the foods are left in the oven until they are cooked all the way through, the outer portions will become overcooked or even burnt. As you gain experience in using your microwave oven, you will become increasingly skillful in estimating both cooking and standing times for various foods.

How Food Characteristics Affect Microwave Cooking

Density of foods: Light, porous food such as cakes and breads cook more quickly than heavy, dense foods such as roasts and casseroles. You must take care when microwaving porous foods that the outer edges do not become dry and brittle.

Height of foods: The upper portion of tall foods, particularly roasts, will cook more quickly than the lower portion. Therefore, it is wise to turn tall foods during cooking, sometimes several times.

Moisture content of foods: Since the heat generated from microwaves tends to evaporate moisture, relatively dry foods such as roasts and some vegetables should either be sprinkled with water prior to cooking or covered to moisture.

Bone and fat content of foods: Bones conduct heat and fat cooks more quickly than meat. Therefore, care must be taken when cooking bony or fatty cuts of meat that the meats do not cook unevenly and do not become overcooked.

Introduction

Quantity of foods: The number of microwaves in your oven remains constant regardless of how much food is being cooked. Therefore, the more food you place in the oven, the longer the cooking time. Remember to decrease cooking times by at least one third when halving a recipe.

Shape of foods: Microwaves penetrate only about 1 inch (2.5cm) into foods the interior portion of thick foods are cooked as the heat generated on the outside travels inward. In other words, only the outer edge of any foods is actually cooked by microwave energy; the rest is cooked by convection. It follows then that the worst possible shape for a food that is to be microwaved is a thick square. The corners will burn long before the centre is even warm. Round thin foods and ring shaped foods cook successfully in the microwave.

Special Techniques In Microwave Cooking

Browning: Meats and poultry that are cooked fifteen minutes or longer will brown lightly in their own fat. Foods that are cooked for a shorter period of time may be brushed with a browning sauce to achieve an appetizing colour. The most commonly used browning sauces are Worcestershire sauce, soya sauce and barbecue sauce. Since relatively small amounts of browning sauces are added to foods, the original flavour of recipes are not altered.

Covering: A cover traps heat and steam which causes food to cook more quickly. You may either use a lid or microwave clingfilm with a corner folded back to prevent splitting.

Covering with greaseproof paper: Greaseproofing effectively prevents spattering and helps food retain some heat. But because it makes a looser cover than a lid or clingfilm, it allows the food to dry out slightly.

Wrapping in greaseproof or paper towel: Sandwiches and many other foods containing prebaked bread should be wrapped prior to microwaving to prevent drying out.

Arranging and spacing: Individual foods such as baked potatoes, small cakes and hors d'oeuvres will heat more evenly if placed in the oven an equal distance apart, preferably in a circular pattern. Never stack foods on top of one another.

Stirring: Stirring is one of the most important of all microwaving techniques. In conventional cooking, foods are stirred for the purpose of blending. Microwaved foods, however, are stirred in order to spread and redistribute heat. Always stir from the outside towards the centre as the outside of the food heats first.

Turning over: Large, tall foods such as roasts and whole chickens should be turned so that the top and bottom will cook evenly. It is also a good idea to turn cut up chicken and chops.

Placing thicker portions facing outwards: Since microwaves are attracted to the outside portion of foods, it makes sense to place thicker portions of meat, poultry and fish to the outer edge of the baking dish. This way, thicker portions will receive the most microwave energy and the foods will cook evenly.

Shielding: Strips of aluminium foil, which block microwaves, are sometimes placed over the corners or edges of square and rectangular foods to prevent those portions from overcooking. Never use too much foil and make sure the foil is tightly secured to the dish or it may cause 'arcing' in the oven.

Elevating: Thick or dense foods are often elevated so that microwaves can be absorbed by the underside and centre of the foods.

Piercing: Foods enclosed in a shell, skin or membrane are likely to burst in the oven unless they are pierced prior to cooking. Such foods include both yolks and whites of eggs, clams and oysters and many whole vegetables and fruits.

Testing if cooked: Because foods cook so quickly in a microwave oven, it is necessary to test food frequently. Some foods are left in the microwave until completely cooked, but most foods, including meats and poultry, are removed from the oven while still slightly undercooked and allowed to finish cooking during standing time. The internal temperature of foods will rise between 5 °F(3 °C) and 15 °F (8 °C) during standing time.

Standing time: Foods are often allowed to stand for 3 to 10 minutes after being removed from the microwave oven. Usually the foods are covered during standing time to retain heat unless they are supposed to be dry in texture (some cakes and biscuits, for example). Standing allows foods to finish cooking and also helps flavour blend and develop.

Introduction

Microwave-Safe Utensils

Never use metal or metal trimmed utensils in your microwave oven. Microwaves cannot penetrate metal. They will bounce off any metal object in the oven and cause arcing, an alarming phenomenon that resembles lightning.

Most heat resistant non metallic cooking utensils are safe for use in your microwave oven. However, some may contain materials that render them unsuitable as microwave cookware. If you have any doubts about a particular utensil, there's a simple way to find out if it can be used in your microwave oven.

Testing utensils for microwave use: Place the utensil in question next to a glass bowl filled with water in the microwave oven.

Microwave at power HIGH for 1 minute. If the water heats up but the utensil remains cool to the touch, the utensil is microwave-safe. However, if the water does not change temperature but the utensil becomes warm, microwaves are being absorbed by the utensil and it is not safe for use in the microwave oven. You probably have many items on hand in your kitchen right now that can be used as cooking equipment in your microwave oven. Just read through the following checklist.

1. Dinner plates: Many kinds of dinner-ware are microwave-safe. If in doubt consult the manufacturer's literature or perform the microwave test.

2. Glassware: Glassware that is heat-resistant is microwave-safe. This would include all brands of oven tempered glass cookware. However, do not use delicate glassware, such as tumblers or wine glasses, as these might shatter as the food warms.

3. Paper: Paper plates and containers are convenient and safe to use in your microwave oven, provided that the cooking time is short and foods to be cooked are low in fat and moisture. Paper towels are also very useful for wrapping foods and for lining baking trays in which greasy foods such as bacon are cooked. In general, avoid coloured paper products as the colour may run.

4. Plastic storage containers: These can be used to hold foods that are to be quickly reheated. However, they should not be used to hold foods that will need considerable time in the oven as hot foods will eventually warp or melt plastic containers.

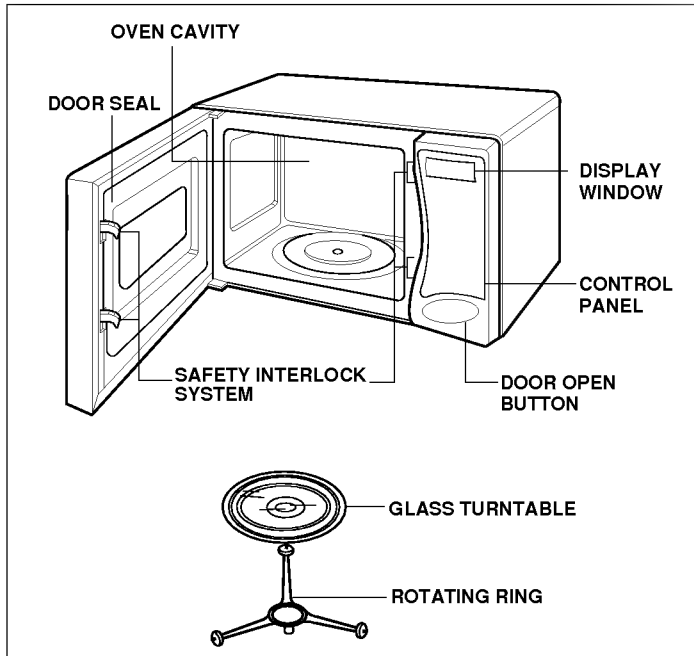
5. Plastic cooking bags: These are microwave-safe, provided they are specially made for cooking. However, be sure to make a slit in the bag so that steam can escape. Never use ordinary plastic bags for cooking in your microwave oven, as they will melt and rupture.

6. Plastic microwave cookware: A variety of shapes and sizes of microwave cookware is available. For the most part, you can probably microwave items you already have on hand rather than investing in new kitchen equipment.

7. Pottery, stoneware and ceramic: Containers made of these materials are usually fine for use in your microwave oven, but they should be tested to be sure.

CAUTION: HIGH IRON CONTENT, HIGH LEAD CONTENT, SOME ITEMS NOT FOR COOKING.

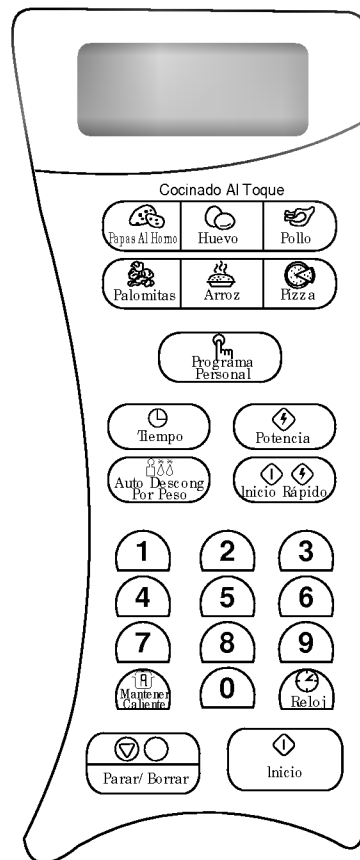
Feature Diagram / Control Panel



Your oven will be packed with the following materials:

Glass Turntable ----- 1
 Rotating Ring ----- 1
 Owner's Manual ----- 1

This microwave oven is designed for household use only. It is not recommended for commercial purposes.



NOTE: A beep sounds when a pad on the control panel is touched, to indicate a setting has been entered.

Operating Instructions

SETTING CLOCK

This is a 12 hour clock.

When your oven is plugged in for the first time or when power resumes after a power interruption, the numbers in the display reset to “:”.

Example: To set 11:11

Touch **PARAR/BORRAR**.

↓

Touch **RELOJ**.
MARQUE LA HORA
DEL DIA will show in the display.

↓

Enter the time by using the number key pads.
[1], [1], [1] and **[1]**.
11:11 TOQUE
INICIO will show in display.

↓

Touch **INICIO**.
 The clock starts counting.

INICIO RAPIDO

A time-saving pad, this simplified control lets you quickly set and start microwave cooking without the need to touch INICIO.

Example: To set INICIO RAPIDO cooking 2 minutes.

Touch **PARAR/BORRAR**.

↓

Touch **INICIO RAPIDO** 4 times. The oven begins cooking and display shows time counting down.

NOTE:

If you touch INICIO RAPIDO, it will add 30 seconds, up to 3 minutes; after 3 minutes, every touch will add 1 minute up to 99 min.

TIMED COOKING

This function allows you to cook for a desired time. And in order to give you the best results, there are 10 power level settings in addition to HI-POWER because many food need slower cooking (at less than HI-POWER).

Example: To cook food on 80% Power (Power 8) for 5 minutes 30 seconds

1. Touch **PARAR/BORRAR**.

↓

2. Touch **TIEMPO**.
MARQUE TIEMPO
DE COCCION will show in the display.

↓

3. Enter 5 minutes 30 seconds by touching **[5]**, **[3]**, and **[0]**.
5:30 TOQUE INICIO
0 POTENCIA will show in the display.

↓

4. Touch **POTENCIA**.
MARQUE NIVEL
DE POTENCIA
1 AL 10 will show in the display.

↓

5. Touch **8**.
 To select power level 80%.
P-80 TOQUE
INICIO will show in the display.

↓

6. Touch **INICIO**.

When the cooking time is over, two short and one long tone sounds. The word Fin shows in the display window. Then the oven shuts itself off.

NOTE:

If you do not select power level, the oven will operate at power HIGH. To set HI-POWER cooking, skip steps 4 & 5 above.

Operating Instructions(cont'd)

2 STAGE TIMED COOKING

For Two Stage cooking, repeat timed cooking steps 2 through 5 on the previous page before touching the INICIO pad for additional Time and Power program you want to add.

Auto Weight Defrost can be programmed before the first stage to defrost first and then cook.

MICROWAVE POWER LEVELS

Your microwave oven is equipped with tenth power levels to give you maximum flexibility and control over cooking. The table below will give you some idea of which foods are prepared at each of the various power levels.

*The chart below shows the power level settings for your oven.

MICROWAVE POWER LEVEL CHART

Power Level	Use
10 (High)	<ul style="list-style-type: none"> ● Boiling Water. ● Browning ground beef. ● Making candy. ● Cooking poultry pieces, fish, & vegetables. ● Cooking tender cuts of meat.
9	<ul style="list-style-type: none"> ● Reheating rice, pasta, & vegetables.
8	<ul style="list-style-type: none"> ● Reheating rice, prepared foods quickly ● Reheating sandwiches.
7	<ul style="list-style-type: none"> ● Cooking egg, milk and cheese dishes. ● Cooking cakes, breads. ● Melting chocolate.
6	<ul style="list-style-type: none"> ● Cooking veal. ● Cooking whole fish. ● Cooking puddings and custard.
5	<ul style="list-style-type: none"> ● Cooking ham, whole poultry, lamb. ● Cooking rib roast, sirloin tip.
4	<ul style="list-style-type: none"> ● Thawing meat, poultry and seafood.
3	<ul style="list-style-type: none"> ● Cooking less tender cuts of meat ● Cooking pork chops, roast
2	<ul style="list-style-type: none"> ● Taking chill out of fruit. ● Softening butter.
1	<ul style="list-style-type: none"> ● Keeping casseroles and main dishes warm. ● Softening butter and cream cheese.

CHILD LOCK

This is a unique safety feature that prevents unwanted oven operation such as used by children. Once the child lock is set, no cooking can take place.

To set the child lock

PARAR/BORRAR

0

Touch **PARAR/BORRAR**.

Touch **0** pad for 4 seconds.

Touch and hold **0** until **CIERRE** appears in the display and two beeps are heard.

CIERRE remains in the display as long as touch some pad. After you touch some pad, the time of day will return to the display window.

When child lock was already set, if you touch other cooking pad, the window shows **CIERRE** in the display. They you can cancel the child lock according to below procedure.

To cancel the child lock

0

Touch and hold **0** pad until **CIERRE** disappears in the display.

ONE TOUCH COOKING

One Touch Cooking made easy! Your oven's menu has been preprogrammed to cook food automatically. Tell the oven what you want. Then let your

Example: To cook popcorn, simply follow the step below

PARAR/BORRAR

↓

PALOMITAS

Touch **PARAR/BORRAR**.

*Place popcorn in the oven and close the door.

Touch **PALOMITAS**.

The oven begins the cooking you selected without the need to touch INICIO. Be sure to close the door before selecting categories.

microwave oven cook your selections.

Operating Instructions

Cooking Chart for One Touch Cooking

CATEGORY	TOUCHING PAD	AMOUNT	INSTRUCTIONS
BOILED POTATO (PAPAS AL HORNO) (Room temp.)	Once	1 potato (230g) + 1/4 cup water	Large potatoes, peel and wash. Place them in a medium high dish and add water according to the quantity. Cover with plastic wrap perforated.
	Twice	2 potatoes (460g) + 1/3 cup water	
	Three times	3 potatoes (690g) + 1/2 cup water	
	Four times	4 potatoes (920g) +1/2 cup water	
EGGS (HUEVO) (Room temp.)	Once	1 egg medium done	Break the egg in small pyrex or cup, perforate the yolk with a cocktail stick, 4 times in the middle, and many times in the white egg.
	Twice	1 egg well done	
CHICKEN (POLLO) (Room temp.)	Once	1/4 kg	If you want a browning chicken you must use some sauce to give an attractive browning color. Mix 2 spoonful of oil, 1 teaspoon paprica, 1 big spoonful of soy sauce and salt. Mix until comes soft, brush on the chicken pieces. Place the pieces in a low dish and cover with plastic wrap perforated.
	Twice	1/3 kg	
	Three times	1/2 kg	
PALOMITAS (POPCORN)	Once	100g	Place a package on the glass tray.
RICE (ARROZ) (Refrigerated)	Once	1 cup (200g)	No cover.
	Twice	2 cups (400g)	
PIZZA (Refrigerated)	Once	Individual (120g)	In a low plate or dish, place 2 sheets of paper towel, put the pizza on it. No cover.
	Twice	Medium (240g)	
	Three times	Large (360g)	

Operating Instructions

AUTO WEIGHT DEFROST

The Auto Defrost by Weight feature is an accurate defrosting method for frozen meat, poultry and fish up to kg. The oven will beep during the DEFROST cycle.

At this time, open the door, and turn over, separate, or rearrange the food. Remove any portions that have thawed. Return frozen portions to the oven and touch INICIO to resume the defrost cycle. The oven will not STOP during the "BEEP" unless the door is opened.

Example: To defrost 1.2kg of ground beef, select Meat menu, enter the weight, and press INICIO

PARAR/BORRAR

↓

AUTO DESCONG. POR PESO

↓

1

↓

1 2

↓

INICIO

Touch **PARAR/BORRAR**.

Touch **AUTO DESCONG. POR PESO**

CARNES TOQUE 1
AVES TOQUE 2
PESCADO TOQUE 3

Touch 1.
MARQUE EL PESO
appears in the display.

Enter the weight by touching [1] and [2]

1.2kg TOQUE
INICIO

Touch **INICIO**.

NOTE:

- The benefit of this Auto Defrost feature is automatic setting and control of defrosting, but just like conventional defrosting you must check the foods during the defrosting time.
- For best results, remove fish, shellfish, meat and poultry from its original paper or plastic closed package (wrapper). Otherwise, the wrap will hold steam and juice closed to the foods which can cause the outer surface of the foods to cook.
- Place foods in shallow glass baking dish or microwave roasting rack to catch drippings
- Food should still be somewhat icy in the center when removed from the oven.
- When it is difficult to remove the wrap from the food, defrost the wrapped food for about a quarter of the total defrost time, which is displayed at the beginning of the defrost cycle. Then remove the food from oven, and remove the wrap from food.

AUTO WEIGHT DEFROST SEQUENCE LIST

SEQUENCE	FOOD	MIN./MAX FOOD
1 MEAT	<ul style="list-style-type: none"> ● BEEF ----- Ground beef, Round steak. Cubes for stew, Tenderloin steak, Pot roast, Rib roast, Rump roast, Chuck roast, Hamburger patty. ● LAMB ----- Chops(1-inch thick), Rolled roast. ● PORK ----- Chops(1/2-inch thick), Hot dogs, Spareribs, Country-style ribs, Rolled roast, Sausage. ● VEAL ----- Cutlets (1 lb., 1/2-inch thick) 	0.1/6.0 LB (0.1/4.0 kg)
2 POULTRY	<ul style="list-style-type: none"> ● CHICKEN ----- Whole (under 4 lbs.), Cut up Breasts (boneless) ● CORNISH HENS ----- Whole ● TURKEY ----- Breast (under 6 lbs.) 	0.1/6.0 LB (0.1/4.0 kg)
3 FISH	<ul style="list-style-type: none"> FISH ----- Fillets, Steaks, Whole SHELLFISH ----- Crabmeat, Lobster tails, Shrimp, Scallops 	0.1/6.0 LB (0.1/4.0 kg)

Operating Instructions

PROGRAMA PERSONAL

You can select on/off of beeper, language selection, scroll speed control, and food weight measurement unit, pounds or kilograms.

Example 1: To turn off sound beeper

1. Touch **PARAR/BORRAR**.
- ↓
2. Touch **PROGRAMA PERSONAL**
- PROGRAMA PERSONAL
- ELIJA #G/LBS
TOQUE 1
IDIOMA ELEGIDO
TOQUE 2
SONIDO SI/NO
TOQUE 3
VELOCIDAD DE
AVANCE TOQUE 4
- shows in the display.
3. Touch **3**.
- SONIDO SI
TOQUE 1 NO
TOQUE 2
- shows in the display.
4. Touch **2**.
- SONIDO NO shows in the display.
It will not be necessary to press **INICIO**.

NOTE: To turn of beep back on, repeat step 1-4.

Example 2: To change speed scroll display

1. Touch **PARAR/BORRAR**.
- ↓
2. Touch **PROGRAMA PERSONAL**
- PROGRAMA PERSONAL
- ELIJA #G/LBS
TOQUE 1
IDIOMA ELEGIDO
TOQUE 2
SONIDO SI/NO
TOQUE 3
VELOCIDAD DE
AVANCE TOQUE 4
- shows in the display.

- 4
- ↓
3. Touch **4**.
- DESPACIO TOQUE 1
NORMAL TOQUE 2
RAPIDO TOQUE 3
- shows in the display.
- 1
4. Touch **1**.
- DESPACIO
- shows in the display.
It will not be necessary to press **INICIO**.

NOTE: To change speed of scroll display back to another speed repeat step 1-4.

HOLD WARM

HOLD WARM will continue for up to 60 minutes until the door has been opened or **PARAR/BORRAR** has been touched.

1. Touch **PARAR/BORRAR**
- ↓
- MANTENER CALIENTE
2. Touch **MANTENER CALIENTE**
- ↓
- INICIO
3. Touch **INICIO**

When the cooking cycle is over, the oven will switch into HOLD WARM to keep the food warm. The cook control setting is on Power Level "1" or 10% Power. Your oven has a "HOLD WARM" feature that keeps the food warm after cooking is complete.

General Procedure for Cooking Meat

"WARNING: Do not use aluminium foil during cooking cycle."

1. No special techniques are required. The roast should be prepared and seasoned (if desired) as for any other conventional method. Meat should be thoroughly defrosted before cooking.
2. Place the meat on a microwave roasting rack or ovenproof plate and place on the turntable.
3. Cook according to the cooking chart using the longer time for small joints and the shorter time for large joints. Use the longer time for thicker chops.
4. Turn the meat once halfway through the cooking time.
5. STAND for 5-10 minutes wrapped in foil after cooking. The standing time is very important as it 'finishes off' the cooking time.
6. Ensure meat, especially pork, is thoroughly cooked before eating.

MEAT COOKING CHART-MICROWAVE COOKING

Cut	Cooking Time per 454g (1 lb)	Microwave power
Beef		
Topside/Silverside-Rare	8 1/2-9 minutes	M-HIGH (80%)
-Medium	9-10 minutes	M-HIGH(80%)
-Well done	11-12 1/2 minutes	M-HIGH(80%)
Beefburgers	7-9 minutes	MEDIUM(60%)
Minced meat (to brown for casserole)	6-8 minutes	M-HIGH(80%)
Sausages 2	2-3 minutes	HIGH
4	4-5 minutes	HIGH
8	5-7 minutes	HIGH
Lamb		
Leg, fillet, shoulder.	13-16 minutes	M-HIGH(80%)
Pork		
Loin, leg	12-15 minutes	M-HIGH(80%)
Bacon	Approx. 1 minute per slice	HIGH

N.B. The above timings should be regarded as a guide only to allow for individual tastes and preferences. The timings may vary due to the shape, cut and composition of the meat.

General Procedure for Cooking Poultry

"WARNING: Do not use aluminium foil during cooking cycle."

1. No special techniques are required. The poultry should be prepared as for any other conventional method. Season if desired.
2. Poultry should be thoroughly defrosted, ensuring giblets and any metal clamps are removed.
3. Prick the skin and lightly brush with vegetable oil unless self basting.
4. All poultry should be placed on a microwave roasting rack or an ovenproof plate and placed on the turntable.
5. Cook according to the instructions, in the cooking chart turning the bird over halfway through the cooking time.
Poultry items, because of their shape have a tendency to cook unevenly, especially in very bony parts. Turning the bird during roasting helps to cook these areas evenly.

N.B. If whole birds are stuffed, the weight of the stuffed bird should be used when calculating the cooking time.

6. STAND for 5-10 minutes wrapped in foil after cooking before carving. The standing time is very important as it 'finishes off' the cooking time.

General Procedure for Cooking Poultry

7. Ensure poultry is thoroughly cooked before eating. Whole poultry is cooked when the juices run clear from the inside thigh when it is pierced with a sharp knife. Poultry portions should be pierced with a sharp knife through the thickest part to ensure that the juices are clear and the flesh is firm.

POULTRY COOKING CHART-MICROWAVE COOKING

Bird	Cooking Time per 454g (1 lb)	Microwave Power
CHICKEN Whole Breast (boned) Portions	9 1/2-12 minutes 8-10 minutes 9-11 minutes	M-HIGH(80%) M-HIGH(80%) M-HIGH(80%)
Turkey Whole	9-12 minutes	M-HIGH(80%)

N.B. The above timings should be regarded as a guide only to allow for individual tastes and preferences .

Timings may vary due to shape and composition of the food.

General Procedure for Cooking Fish

"WARNING: Do not use aluminium foil during cooking cycle."

1. Arrange fish in a large shallow non metallic dish or casserole.
2. Cover with pierced microwave plastic film or casserole lid.
3. Place the dish on the turntable.
4. Cook according to the instructions in the cooking chart. Flakes of butter can be added to the fish if desired.
5. STAND as directed in the cooking chart before serving.
6. After standing time ensure the fish is thoroughly cooked. The fish should be opaque and flake easily.

FRESH FISH COOKING CHART

Fish	Cooking time per 454g (1 lb)	Microwave setting	Method	Standing time
Fish fillets	4-6 minutes	HIGH	Add 30 ml(2 tbsp) milk	2-3 minutes
Cod/Haddock steaks	5-7 minutes	HIGH	Add 30 ml(2 tbsp) milk	3-4 minutes
Lemon Sole fillets	2 1/2-4 minutes	HIGH	Add 30 ml(2 tbsp) milk	2-3 minutes
Dover Sole	4-6 minutes	HIGH	Add 30 ml(2 tbsp) milk	2-3 minutes
Whole Mackerel cleaned and prepared	4-6 minutes	HIGH	—	3-4 minutes
Whole Trout, cleaned and prepared	5-7 minutes	HIGH	—	3-4 minutes
Salmon steaks	5-6 minutes	HIGH	Add 1-2X15 ml(1-2 tbsp) milk	3-4 minutes

Fresh Vegetable Chart

Vegetable	Amount	Cook Time at HIGH	Instruactions	Standing time
Artichokes (8 oz. each)	2 medium 4 medium	6-8 11-13	Trim. Add 2 tsp. Water and 2 tsp. juice. Cover.	2-3 minutes
Asparagus, Fresh, spears	1lb.	7-9	Add 2 tbsp. water in 1-qt. covered casserole.	2-3 minutes
Beens, green & wax	1lb.	10-11	Add 2 tbsp. water in 1-qt. casserole. Stir halfway through cooking.	2-3 minutes
Beets, Fresh,	1lb.	17-20	Add 1/4 cup water in 1-qt. covered casserole. Rearrange halfway through cooking.	2-3 minutes
Broccoli, Fresh, spears	1lb.	6-8	Place broccoli in baking dish. Add 2 tbsp. water	2-3 minutes
Cabbage, Fresh, Chopped	1lb.	7-3	Add 1/4 cup water in 1-qt. covered casserole. Stir halfway through cooking.	2-3 minutes
Carrtos, Fresh, sliced	2 cups	6-8	Add 2 tbsp. water in 1 1/2 1-qt. covered casserole. Stir halfway through cooking.	2-3 minutes
Cauliflower, Fresh, whole	1lb.	7-9	Trim. Add 2 tbsp. water in 1-qt. covered casserole. Stir halfway through cooking.	2-3 minutes
Fresh, flowerets Celery, Fresh, sliced	2 cups 4 cups	5-6 8-10	Slice. Add 2 tbsp. water in 1-qt. covered casserole. Stir halfway through cooking.	2-3 minutes
Corn, Fresh	2 ears	9-12	Husk. Add 2 tbsp. water in 1-qt. baking dish. Cover.	2-3 minutes
Mushrooms, Fresh, sliced	1/2 lb.	4-5	Place mushrooms in 1-qt. covered casserole. Stir halfway through cooking.	2-3 minutes
Parsnips, Fresh, sliced	1lb.	6-8	Add 2 tbsp. water in 1-qt. covered casserole. Stir halfway through cooking.	2-3 minutes
Peas, Green, Fresh	4 cups	8-10	Add 2 tbsp. water in 1-qt. covered casserole. Stir halfway through cooking.	2-3 minutes
Potatoes, sweet, whole (6-8 oz. each)	2 medium 4 medium	6-8 8-10	Pierce potatoes several times with fork. Place on 2 paper towels. Turn over halfway through cooking.	2-3 minutes
Potatoes, white whole baking (6-8 oz. each)	2 potatoes 4 potatoes	7-9 12-14	Pierce potatoes several times with fork. Place on 2 paper towels. Trun over halfway through cooking.	2-3 minutes 2-3 minutes
Spinach, Fresh, leaf	1 lb.	6-8	Add 2 tbsp. water in 1-qt. covered casserole.	2-3 minutes
Squash, Acorn or buttemut. Fresh	1 medium	8-10	Cut squash in half. Remove seeds. Place in 8x8-inch bacing dish. Cover.	2-3 minutes
Zucchini Fresh, sliced	1 lb.	7-10	Add 2 tbsp. water in 1-qt. covered casserole. Stir halfway through cooking.	2-3 minutes
Zucchini Fresh,whole	1 lb.	8-10	Pierce. Place on 2 paper towels. Trun zucchini over and rearrange halfway through cooking.	2-3 minutes

Other Helpful Instructions

For Best Results:

1. When determining the time for a particular food, begin by using minimum time and checking occasionally for doneness. It is easy to overcook food because microwaves cook very quickly.
2. Small quantities of food or foods with low water content may dry out and become hard if cooked too long.
3. Do not use the oven for drying kitchen towels or paper products. They may burn.
4. Break eggs before cooking them in the microwave.
5. For food items such as apples, potatoes, egg yolks, chicken livers, etc., be sure to pierce the skin or membrane to prevent bursting of the food while cooking in the oven.

Defrosting Frozen Foods:

1. Foods that have been frozen can be placed directly in the oven for thawing. (Be certain to remove any metallic ties or wraps.)
2. Defrost according to the Defrost Guide found in this Manual.
3. For areas of the food thawing faster than others, shield if necessary.
This helps slow down or stop the defrosting process.
4. Some foods should not be completely thawed before cooking. For example, fish cooks so quickly that it is sometimes better to begin cooking while still slightly frozen.
5. It may be necessary to increase or decrease the cooking time in some recipes, depending on the starting temperature of the foods.

NOTE:

Air from the vent may become warm during cooking. This is normal.

Browning:

There are a few foods which are not cooked long enough in the microwave oven to brown and may need additional colour.

Coatings such as SHAKE & BAKE®, paprika, and browning agents such as Kichen bouquet® or Worcestershire sauce may be used on chops, meat patties or chicken parts.

Roasts, poultry or ham, cooked for 10-15 minutes or longer, will brown nicely without extra additives.

Cooking Utensils:

1. Most glass, ceramic glass and heat resistant glassware utensils are excellent.
2. Most paper napkins, towels, plates, cups, cartons, and cardboard are convenient utensils. Some recycled paper products may contain impurities which could cause arcing or fires when used in the microwave oven.
3. Some plastic dishes, cups, containers, and wraps may be used in the microwave oven. Follow the manufacturer's instructions or information given in the cooking guide when using plastics in the microwave oven.
4. Metal utensils and utensils with metallic trim should not be used in the microwave oven.

To Clean Your Oven:

1. Keep the inside of the oven clean.
Food spatters or spilled liquids stick to oven walls and between seal and door surface. It is best to wipe up spillovers with a damp cloth right away. Crumbs and spillovers will absorb microwave energy and lengthen cooking times. Use a damp cloth to wipe out crumbs that fall between the door and the frame. It is important to keep this area clean to assure a tight seal. Remove greasy spatters with a sudsy cloth then rinse and dry. Do not use harsh detergent or abrasive cleaners. The glass tray can be washed by hand or in the dishwasher.
2. Keep the outside of the oven clean.
Clean the outside of your oven with soap and water then with clean water and dry with a soft cloth or paper towel. To prevent damage to the operating parts inside the oven, the water should not be allowed to seep into the ventilation openings.
To clean control panel, open the door to prevent oven from accidentally starting, and wipe with a damp cloth followed immediately by a dry cloth. Press PARAR/BORRAR after cleaning.
3. If steam accumulates inside or around the outside of the oven door, wipe the panels with a soft cloth. This may occur when the microwave oven is operated under high humidity conditions and in no way indicates a malfunction of the unit.
4. The door and door seals should be kept clean.
Use only warm, soapy water, rinse then dry thoroughly. DO NOT USE ABRASIVE MATERIALS, SUCH AS CLEANING POWDERS OR STEEL AND PLASTIC PADS.
Metal parts will be easier to maintain if wiped frequently with a damp cloth.

Safety Precautions

1. Do not attempt to tamper with, or make any adjustments or repairs to the door, control panel, safety interlock switches or any other part of the oven. Repairs should only be undertaken by a qualified service technician.
2. Do not operate the oven when empty. It is best to leave a glass of water in the oven when not in use. The water will safely absorb all microwave energy, if the oven is accidentally started.
3. Do not dry clothes in the microwave oven, which may become carbonized or burned if heated too long.
4. Do not cook food wrapped in paper towels, unless your cook book contains instructions, for the food you are cooking.
5. Do not use newspaper in place of paper towels for cooking.
6. Do not use wooden containers. They may heat-up and char.
Do not use metal containers or crockery containers which have metallic (e.g. gold or silver) inlays. Always remove metal twist ties.
Metal objects in the oven may arc, which can cause serious damage.
7. Do not operate the oven with a kitchen towel, a napkin or any other obstruction between the door and the front edges of the oven, which may cause microwave energy leakage.
8. Do not use recycled paper products since they may contain impurities which may cause sparks and/or fires when used in cooking.
9. Do not rinse the turntable by placing it in water just after cooking. This may cause breakage or damage.
10. Small amounts of food require shorter cooking or heating time. If normal times are allowed they may overheat and burn.
11. Be certain to place the oven so the front of the door is 8cm or more behind the edge of the surface on which it is placed, to avoid accidental tipping of the appliance.
12. Before cooking, pierce the skin of potatoes, apples or any such fruit or vegetable.
13. Do not cook eggs in their shell. Pressure will build up inside the egg which will burst.
14. Do not attempt deep fat frying in your oven.
15. Remove the plastic wrapping from food before cooking or defrosting. Note though that in some cases food should be covered with plastic film, for heating or cooking, as detailed in microwave cook books.
16. The oven must never be used if the door sealing is not in good working order.
17. When liquids are cooked in microwave units, they may be overheated above their boiling point without visible bubbling. When the container is removed, the shock may cause the sudden formation of steam bubbles. A fountain of hot liquid can spring up out of the container explosively.
18. If smoke is observed keep the oven door closed and switch off or disconnect the oven from the power supply.
19. When food is heated or cooked in disposable containers of plastic, paper or other combustible materials look at the oven frequently to check if the food container is deteriorating.

WARNING—Please ensure cooking times are correctly set as over cooking may result in FIRE and subsequent DAMAGE to the OVEN.

Questions And Answers

Q. What's wrong when the oven light will not glow?

A. There may be several reasons why the oven light will not glow.

- Light bulb has blown.
- Door is not closed.

Q. Does microwave energy pass through the viewing screen in the door?

A. No. The holes, or ports, are made to allow light to pass; they do not let microwave energy through.

Q. Why does the beep tone sound when a pad on the Control Panel is touched?

A. The beep tone sounds to assure that the setting is being properly entered.

Q. Will the microwave oven be damaged if it operates while empty?

A. Yes. Never run it empty or without the glass tray.

Q. Why do eggs sometimes pop?

A. When baking, frying, or poaching eggs, the yolk may pop due to steam build up inside the yolk membrane. To prevent this, simply pierce the yolk before cooking. Never microwave eggs in the shell.

Q. Why is standing time recommended after microwave cooking is over?

A. After microwave cooking is finished, food keeps on cooking during standing time. This standing time finishes cooking evenly throughout the food. The amount of standing time depends on the density of the food.

Q. Is it possible to pop popcorn in a microwave oven?

A. Yes, if using one of the two methods described below:

- (1) Popcorn-popping utensils designed specifically for microwave cooking.
- (2) Prepackaged commercial microwave popcorn that contains specific times and power outputs needed for an acceptable final product.

FOLLOW EXACT DIRECTIONS GIVEN BY EACH MANUFACTURER FOR THEIR POPCORN PRODUCT. DO NOT LEAVE THE OVEN UNATTENDED WHILE THE CORN IS BEING POPPED. IF CORN FAILS TO POP AFTER THE SUGGESTED TIMES, DISCONTINUE COOKING. OVERCOOKING COULD RESULT IN AN OVEN FIRE.

CAUTION: NEVER USE A BROWN PAPER BAG FOR POPPING CORN. NEVER ATTEMPT TO POP LEFTOVER KERNELS.

Q. Why doesn't my oven always cook as fast as the cooking guide says?

A. Check your cooking guide again to make sure you've followed directions correctly, and to see what might cause variations in cooking time. Cooking guide times and heat settings are suggestions, chosen to help prevent over-cooking, the most common problem in getting used to a microwave oven. Variations in the size, shape, weight and dimensions of the food require longer cooking time. Use your own judgement along with the cooking guide suggestions to test for doneness, just as you would do with a conventional cooking.

PRECAUCIONES PARA EVITAR LA POSIBLE EXPOSICION EXCESIVA A LA ENERGIA DE MICROONDAS

No intente operar este horno con la puerta abierta pues ello puede resultar en una dañina exposición a la energía de microondas. Es importante no meterse con los sistemas de seguridad.

No coloque ningún objeto entre el frente de la unidad y la puerta del horno ni permita que se acumule suciedad o residuos de limpiadores en las superficies selladoras.

No opere este horno si está dañado. Es particularmente importante que la puerta se pueda cerrar apropiadamente y que no exista daño que afecte a: (1) La puerta, torceduras. (2) Bisagras y cerraduras (rotas o sueltas), (3) Empaquetaduras de la puerta y superficies selladoras.

Este horno no debe ser ajustado ni reparado por alguna persona que no sea personal calificado e idóneo.

PRECAUCION

Asegúrese que se fijen los tiempos de cocción correctos ya que la sobre-cocción puede ocasionar incendio y como consecuencia dañar el horno.

PRECAUCION

Cuando caliente líquidos, por ejemplo sopas, salsas y bebidas en su horno microondas, el sobrecalentamiento de líquidos mas allá del punto de ebullición puede causar burbujas sin ser notado desde el exterior. Esto podría resultar en un ebullición repentina del líquido caliente.

Para prevenir esta posibilidad siga los siguientes pasos:

1. Evite usar recipientes rectos con cuellos angosto.
2. No lo sobrecaliente.
3. Vierta el líquido antes de colocar el recipiente en el horno y luego parcialmente midiendo el tiempo de cocción.
4. Después de calentado, déjelo en el horno por un lapso de tiempo, vierta o muévelo luego cuidadosamente revise su temperatura y enseguida antes de consumir evite quemarse (especialmente, el contenido de alimentos embotellados y mamaderas).

Importantes Instrucciones de Seguridad

CUIDADO-Para reducir el riesgo de quemaduras, choque eléctrico, daños corporales a personas o exposición excesiva de microondas:

1. Lea todas las instrucciones antes de usar el aparato.
2. En forma especial lea y atienda las **"PRECAUCIONES PARA EVITAR LA POSIBLE EXPOSICION EXCESIVA A LA ENERGIA DE MICROONDAS"** que encontrará en la página 2 de este manual.
3. Este aparato electrodoméstico debe ser conectado a tierra. Enchufe solamente en un tomacorrientes debidamente conectado a tierra. Véase **"INSTRUCCIONES DE CONEXION A TIERRA "** en la pagina 5 de este manual.
4. Instale y sitúe este aparato siguiendo fielmente las instrucciones proporcionadas en este manual respecto a la instalación.
5. Algunos productos, como huevos enteros y envases sellados, frascos cerrados, por ejemplo, pueden explotar y por tanto no deben ser calentados en el horno de microondas.
6. Use este aparato solo para los fines descritos en este manual. No utilice productos químicos corrosivos o vapores en este aparato. Este tipo de horno está diseñado especialmente para calentar, cocinar o secar alimentos. No lo está para usos industriales o para laboratorios.
7. Como con cualquier otro aparato electrodoméstico, se debe ejercer estrecha supervisión cuando ha de ser usado por niños.
8. No opere este aparato si el cordón o el enchufe están dañados o en mal estado, si no está funcionando debidamente o si el aparato propiamente dicho ha sufrido daños o se ha caído.
9. Este aparato debe ser reparado única y exclusivamente por personal idóneo calificado. Diríjase al centro autorizado de servicio mas cercano para cualquier revisión, reparación o ajuste.
10. No cubra ni bloquee ninguna de las aperturas de este aparato.
11. No use este aparato al aire libre. No utilice este producto cerca del agua, por ejemplo el sumidero de la cocina, ni en un subterráneo húmedo, ni cerca de una piscina (alberca o pileta) ni en lugares parecidos.
12. No sumerja este aparato, ni su cordón, en agua ni permita que uno u otro se mojen.
13. Mantenga el cordón eléctrico de este aparato, lejos de superficies calientes.
14. No deje que el cordón eléctrico cuelgue por encima del borde de la mesa o mueble donde lo tenga instalado.
15. (A) Cuando limpie las superficies de la puerta y el interior del horno, utilice solamente un jabón suave, no abrasivo, aplicando con una esponja o paño suave. (B) Véase instrucciones para limpiar la puerta, en este folleto.
16. Para reducir el riesgo de incendio dentro de la cavidad del horno microondas:
 - a. No sobre cocine los alimentos. Vigile cuidadosamente el horno especialmente si se ha colocado dentro del horno papel, plásticos u otros elementos fácilmente combustibles.
 - b. Remueva todo alambre utilizado para cerrar bolsas de papel o de plástico que introduzca en el horno.
 - c. Si algún producto en el horno se incendiara: MANTENGA LA PUERTA DEL HORNO CERRADA, apague el horno de inmediato, desconecte el cordón eléctrico del tomacorriente o apague el conmutador del fusible correspondiente en el panel de fusibles.
17. No caliente ningún tipo de alimentos en biberones ni en general alimetos para bebés. Puede ocurrir cocimiento desigual capaz de causar danõs corporales.
18. Evite calentar recipientes o frascos que tengan cuello estrecho, tales como botellas de sirope.
19. Evite usar corrosivos y vapores, tales como sulfatos o cloro o botellas de jarabe.
20. El calentamiento de líquidos en contenedores de ciertas formas (especialmente cilíndricas) porque su contenido puede sobresalientes. El líquido puede desparramarse violentamente con un fuerte ruido durante o después de calentarlo o cuando se le añaden ingredientes (café instantáneo, etc.) lo que puede resultar en daño al horno y posibles heridas corporales. En todo tipo de contenedores, para obtener mejores resultados, es mejor menear el líquido varias veces antes de calentar. Siempre revuelva el líquido entre una acción de recalentar y otra.

CONSERVE ESTAS INSTRUCCIONES

Tabla de Contenidos

4	ESPECIFICACIONES TECNICAS
5	INSTALACION
7	INTRODUCCION
10	DIAGRAMA DE CARACTERISTICAS/PANEL DE CONTROL
11	INSTRUCCIONES DE OPERACION
18	TABLA DE VEGETALES FRESCOS
19	OTRAS INSTRUCCIONES DE AYUDA
20	PRECAUCIONES DE SEGURIDAD
21	PREGUNTAS Y RESPUESTAS

Especificaciones Tecnicas

Potencia de Entrada	120V AC/60 Hz
Salida	1,000W (standard) IEC 705
Frecuencia de Microondas	2450MHz
Dimensiones Externas	530mm x 314mm x 394mm (ancho x alto x profundidad)
Dimensiones Internas	349mm x 222mm x 365mm (ancho x alto x profundidad)
Potencia de Consumo	1,500 W

Instalación

A. INSTRUCCIONES PARA CONEXION A TIERRA

Este aparato tiene que ser debidamente conectado a tierra. En el caso de un cortocircuito eléctrico, el hecho de estar conectado a tierra reduce el riesgo de choque eléctrico al proporcionar un cable de escape para la energía eléctrica.

Este aparato está dotado de un cordón con enchufe (una de las cuales para conexión a tierra). Para minimizar la posibilidad de que este aparato produzca un choque eléctrico.

Este enchufe debe ser conectado en un tomacorriente que esté debidamente instalado y conectado a tierra.

CUIDADO— El uso inapropiado de la clavija de tierra puede resultar en choque eléctrico.

El usuario hará bien en consultar con un electricista idóneo si estas instrucciones sobre conexión a tierra no han sido suficientemente comprendidas o si persiste alguna duda sobre como se puede conectar esta unidad a tierra.

CUIDADO: Enchufar el adaptador terminal de tierra al tomacorriente de la pared no produce la conexión a tierra salvo que el tornillo que sostiene la tapa del receptáculo sea de metal, no aislado, y el tomacorriente de la pared esté conectado a tierra por medio del sistema de alambrado de la casa o edificio.

- En situaciones donde el cordón eléctrico del aparato ha de ser desconectado frecuentemente, no use un adaptador de enchufe pues el desconectar el cordón eléctrico causa presión indebida sobre el adaptador y eventualmente conduce a anular su utilidad.

NOTAS:

1. Un cordón eléctrico corto se proporciona junto con esta unidad con el fin de reducir el riesgo de que alguien se enrede con el mismo o se tropiece con un cordón mas largo.
2. Cordones apropiados mas largos están disponibles pero se deben usar con el debido cuidado.
3. Si se llegara a usar un cordón mas largo, (1) la capacidad eléctrica del cordón debe ser por lo menos igual a la de la capacidad del aparato. (2) el cordón que resulte largo debe ser acomodado de manera que no caiga a los lados de la mesa donde esté el aparato donde pueda ser tirado por niños o causar tropiezos accidentales.

Instalación

B. CIRCUITOS

Por razones de seguridad, este horno debe ser conectado a un circuito de 15 amperes. NINGUN otro artefacto debe de estar conectado al mismo circuito. En caso de duda, consulte con un electricista calificado.

C. PREVENCIÓN SOBRE VOLTAJE

El voltaje del tomacorriente debe ser el mismo que se ha especificado en la plaqueta de serie que está situada en la parte trasera del aparato o al lado del panel de control del horno. El uso de voltajes superiores puede ser peligroso y causar incendios u otros tipos de accidentes que resulten, causando daños al horno.

El voltaje insuficiente, por otra parte, puede resultar en cocción de mayor lentitud. En caso de que su horno de microondas no esté funcionando con normalidad estando en orden lo relacionado con la fuente de energía de Corriente Alterna y con el voltaje, desconecte el cordón y vuelva a conectarlo.

D. UBICACIÓN DEL HORNO.

Su horno de microondas puede ser fácilmente instalado en su cocina, el cuarto de estar de la familia o en cualquier otra habitación de la casa. Coloque el horno sobre una superficie plana como el aparador de la cocina o sobre un carrito especialmente diseñado para uso con hornos de microondas. Jamás lo coloque encima de una cocina o estufa de gas o eléctrica. Es importante que el aire pueda fluir alrededor del horno.

E. NO BLOQUEE LOS CONDUCTOS DE AIRE

Todas las salidas de aire deben mantenerse libres de obstrucción durante la función de cocina. Si las salidas están cubiertas durante la operación del horno, éste puede sobrecalentarse. En este caso, un sensible dispositivo de seguridad automáticamente apaga el horno. El horno quedará impedido de funcionar hasta que se haya enfriado suficientemente.

F. INTERFERENCIA DE RADIO

1. La operación del horno de microondas puede causar interferencias en la recepción de radio, televisor o equipos similares.
2. Cuando haya interferencia, ésta puede ser reducida o eliminada adoptando las siguientes medidas:
 - a. Limpie la puerta y las superficies de sellado del horno.
 - b. Cambie la orientación de la antena de su radio o televisor.
 - c. Cambie de lugar el horno de microondas.
 - d. Aleje el microondas de su receptor.
 - e. Conecte el horno de microondas en otro tomacorrientes de modo que el receptor y el horno resulten conectados a dos circuitos diferentes.

Introducción

Como Trabaja El Horno Microonda.

Las microonda son formas de energía similares a las ondas de radio, televisión y luz día común y corriente. Comúnmente, las microondas se esparcen hacia afuera a medida que viajan a través de la atmósfera y desaparecen sin efecto alguno. Los hornos microondas, sin embargo tienen un magnetón el cual está diseñado para hacer uso de la energía en microondas. La electricidad, suministrada por el tubo de magnetón es usado para crear energía de microondas. Estas microondas entran al área de cocción a través de aberturas dentro del horno. Una bandeja giratoria está localizada en la parte inferior del horno. Las microondas no pueden pasar a través de las paredes metálicas del horno, pero pueden penetrar materiales tales como vidrio, porcelanas y papel, los materiales externos los cuales aseguran la cocción en microondas están contruidos para platos de cocción segura en microondas.

Un artefacto muy seguro: Su horno microondas es uno de los artefactos mas seguros del hogar. Cuando la puerta está abierta, el horno automáticamente detiene la producción de microondas. La energía microondas es completamente convertida a calor cuando entra al alimento, no dejando residuos de energía que le dañen cuando cocina sus alimentos. Las microondas no calientan la cacerola, aunque a veces las vasijas se calientan por calor generado por los alimentos.

Obteniendo Los Mejores Resultados De Su Horno Microondas.

Mantener vigilado el objeto. Las recetas en este libro han sido formuladas con gran cuidado, pero su éxito en prepararlas depende, por supuesto, cuant atención pone al alimento a medida que lo cocina. Siempre mirar el alimento mientras lo cocina. Su horno está equipado con una luz se enciende automáticamente cuando el horno está en operación tal que pueda ver dentro y revisar el progreso de su receta. Da instrucciones de recetas para elevar, batir, y lo equivalente sería tal que considere el mínimo de pasos recomendados. Si los alimentos parecen estar cocidos disperejos, simplemente haga los ajustes para corregir el problema.

Factores que afectan los tiempos de cocción.

Revise el voltaje de su horno, dirijase a las especificaciones al comienzo de este libro. Muchos factores afectan los tiempos de cocción. La temperatura de los ingredientes usados en una receta hacen pequeñas diferencias en los tiempos de cocción.

Por ejemplo, un queque hecho con mantequilla congelada, leche y huevos tomaran un tiempo considerable para hornear que uno hecho con ingredientes que están a temperatura ambiente. Todos las recetas en este libro dan un rango de tiempos de cocción. En general, usted encontrará que los restos de alimentos bajo cocción en el extremo de abajo y al comienzo del tiempo, y usted puede algunas veces cocinar los alientos mas allá del tiempo máximo dado, de acuerdo a la preferencia personal. La filosofía de este libro es que tiene mejores recetas para ser ahorrativa en los tiempos dados de cocción. Mientras recaliente los alimentos es destruido el gusto. Algunas de las recetas, particularmente algunas para panes, queques y flanes, se recomienda remover los alimentos desde el horno cuando ellos están está ligeramente caliente. Este no es un error. Cuando sea posible detenerlo, normalmente cúbralos, estos alimentos continuaran la cocción fuera del horno tal que la temperatura atrapada en la porción exterior de los alimentos gradualmente viajan al interior del alimento. Si los alimentos son dejados en el horno hasta que ellos son cocinados por completo las partes externas comenzaran el recalentamiento o quemado uniforme. Los beneficios que adquiere al usar su microondas, usted empezará aumentar su practica en ambas estimaciones de cocinado y detención de tiempos para varios alimentos.

Como Afectan Las Características De La Comida A La Cocina Con Microondas.

Densidad de los alimentos: Los alimentos ligeros y porosas como panes y queques se cocinan más rápido que los pesados, alimentos densos tales como carnes a la cacerolas. Usted debe tener cuidado cuando cocine alimentos porosos pues las orillas pueden quedar secos y quebradizos.

Altura de los alimentos: La parte de arriba de los alimentos altos, en especial las carnes, se cocinaran mas rápido que la parte baja. Sin embargo es recomendable girar los alimentos altos durante la cocción, varias veces.

Introducción

Alimentos que contienen humedad: puesto que el calor generado por las microondas tienden a evaporar humedad, alimentos relativamente secos, como asados y algunos vegetales deben rociarse con agua previo a cocinarse o cubrirse enteros para que retengan la humedad.

Alimentos que contienen hueso y grasa: Los huesos conducen el calor y la grasa se cocinan más rápido que la carne. Por consiguiente, debe tener cuidado cuando cocine huesos o cortes de carne con grasa que la carnes no se cocinan uniformemente y que no se sobrecocinen.

Cantidad de Alimentos: El número de microondas es su horno permanece constante y afecta la cantidad de alimento que este cocinando. Por consiguiente, a mayor cantidad de alimento en el microonda, más largo el tiempo de cocción. Recuerde disminuir los tiempos de cocción a lo menos un tercio cuando 1/2 receta.

Formas de alimentos: Las microondas penetran sólo unos 2.5cm en los alimentos la porción interna se cocina por el calor generado en el exterior. En otras palabras, solamente las orillas de algunos alimentos se cocinan actualmente por energía de microondas, el resto es cocinado por convección. Por consiguiente la peor forma de un alimento que se va a cocinar en un microonda es en uno grueso y cuadrado. Las esquinas se quemaran más luego que el centro tiene calentamiento parejo. Redondee los alimentos y de forma delgada para un cocinado satisfactorio en el microonda.

Técnicas Especiales En Cocina En Microondas.

Dorado: Carnes y pollos son cocinados 15 o más minutos dorándose ligeramente en su propia grasa. Los alimentos que son cocinados por tiempos más cortos pueden ser rociados con una salsa para dorar para dar un apetitoso color. Las salsas más usadas son Worcestershire, la salsa de soya y la salsa de barbacoa. Son agregadas en pequeñas cantidades a los alimentos, el sabor original de la receta no es alterado.

Cubriendo: Una cubierta para atrapar el calor y el vapor el cual causa más efectividad a la cocción a los alimentos. Usted puede usar uno u otro líquido o una película de microondas con orillas plegadas abajo para prevenir salpicaduras.

Cubrir con papel resistente a las grasas: este papel previene efectivamente el esparcimiento y ayuda a retener el calor de algunos alimentos.

Sin embargo lo hecho causa pérdida de líquido, esto permite que el alimento se seque ligeramente fuera.

Envolverlo en toalla de papel o papel antigrasa. Los sandwiches y otros alimentos deberán envolverse principalmente para prevenir que se sequen.

Colocación y esparcimiento: Los alimentos individuales tales como patatas, pequeños pasteles y hors d'oeuvres se cocinan más parejo si son colocados en el horno a una misma distancia y de preferencia en forma circular. Nunca coloque un alimento sobre otro.

Movimiento: El movimiento es una de las técnicas más importantes. En cocina tradicional, los alimentos se mueven con el propósito de mezclarlos.

Al cocinar en el microonda siempre son movidos en orden para redistribuir el calor. Siempre desde el interior hacia el centro ya que en las orillas se cocinan primero.

Girarlos: Para alimentos muy altos como carnes y pollos, deberán girarse tal que la parte superior y la inferior se cocinen uniformemente. Es también una buena idea girar los pollos trozados y chuletas. Colocar porciones gruesas hacia arriba: Siempre las microondas son atraídas hacia las porciones exteriores de los alimentos, lo hace sensando el lugar de la porción delgada de carne, pollo y pescado, la orilla exterior del plato. Esta manera, las porciones gruesas recibirán más energía y los alimentos se cocinarán uniformemente.

Envolvimiento: hojas de papel aluminio, las cuales bloquean las microondas, algunas veces se ubican en las esquinas o bordes de los alimentos con forma rectangular o cuadrada para prevenir la sobrecocción de las porciones. Nunca use mucho papel aluminio y asegúrese que este bien ajustado en la fuente donde se han colocado los alimentos ya que podría un arco en el horno "arcing".

Elevación: Los alimentos muy gruesos o densos generalmente se colocan elevados de forma que las microondas pueden ser absorbidas por la parte inferior y el centro de éstas.

Agujerear: Los alimentos encerrados en una concha, piel o membrana son probablemente reventados en el horno a menos que ellos se pinchen antes de cocinarlos. Estos alimentos incluidos ambos yema y clara, ostras y almejas y muchos vegetales y frutas

Introducción

Verificación de cocción. porque los alimentos se cocinan más rápido en un horno microondas, es necesario verificar los alimentos frecuentemente. Algunos alimentos son dejados en el microondas hasta completar su cocción, pero muchos alimentos, incluidos carnes y pollo, son sacados del horno mientras amortigua el sobrecocido y permite finalizar la cocción durante la detención de tiempo. La temperatura interna de los alimentos subirá entre los 5°F(3°C) y los 15°F(8°C) durante el tiempo de detención.

Reposo: Los alimentos son a veces reposados por 3 a 10 min antes de sacarlos del microondas.

Generalmente los alimentos son cubiertos durante el reposo para retener el calor aún más los que son de textura seca. (queques, biscochos etc) El reposo permite a los alimentos finalizar su cocimiento y también ayuda a aromatizar el sabor.

Utensilios Seguros Para Microonda:

Nunca use utensilios de metal o con borde de metal en su microonda. Las microondas no pueden penetrar el metal. Ellas rebotarán en cualquier objeto de metal y causarán arcos.

La mayoría de los utensilios no metálicos resistentes al calor se pueden utilizar con toda seguridad en su microonda. Sin embargo, algunos pueden contener materiales que los hacen poco convenientes para ser utilizados en el microondas. Si usted tiene dudas sobre el uso de ciertos utensilios existe una manera fácil de descubrir si estos pueden ser utilizados en su microondas.

Prueba de utensilios para ser usados en el microondas. Coloque el utensilio en cuestión al lado de un vaso de vidrio lleno de agua dentro del horno. Coloque el horno 1 minuto a potencia ALTA, si el agua se calienta y el utensilio al tocarlo está frío, el utensilio es seguro. Sin embargo si el agua no cambia su temperatura y el utensilio empieza a calentarse, quiere decir que las microondas están siendo absorbidas por el utensilio y este no es seguro para ser usado en horno microonda. Usted probablemente tiene muchos detalles a mano en su cocina, que ahora puede ser usado como equipamiento de su microonda. Basta leer las siguientes lista:

1. Platos de cocina: Muchos clases de platos son seguros en microonda, si tiene duda consulte la lectura de la etiqueta de fabrica. O realice el test de microondas.

2. Vajilla de cristal: La cristalería que es resistente al calor es segura en microonda. Esta podría incluir todas las marcas de vajillas de vidrio templados para horno. Sin embargo, no use cristalería delgadas, tal que se de vuelta o vasos de vino, ya que éstos pueden estallar al calentar el alimento.

3. Papel: Platos de papel y envoltorios son convenientes y seguros de usar en su horno microondas, es probable que el tiempo de cocción sea más corto y los alimentos a ser cocinados tienen más grasa y humedad. Las toallas de papel son también muy seguras para envolver alimentos y para el revestimiento de bandejas de hornear en el cual los alimentos grasosos tal como un asado son cocidos. En general, evite papeles de colores, pues el color arruina los productos.

4. Contenedores plásticos: Estos pueden mantener alimentos que van a ser de rápido recalentamiento. Sin embargo ellos deberán ser usados para recalentar alimentos que necesitarán un tiempo considerable de horno como alimentos calientes que por lo general se enroscan y derriten el envase de plástico.

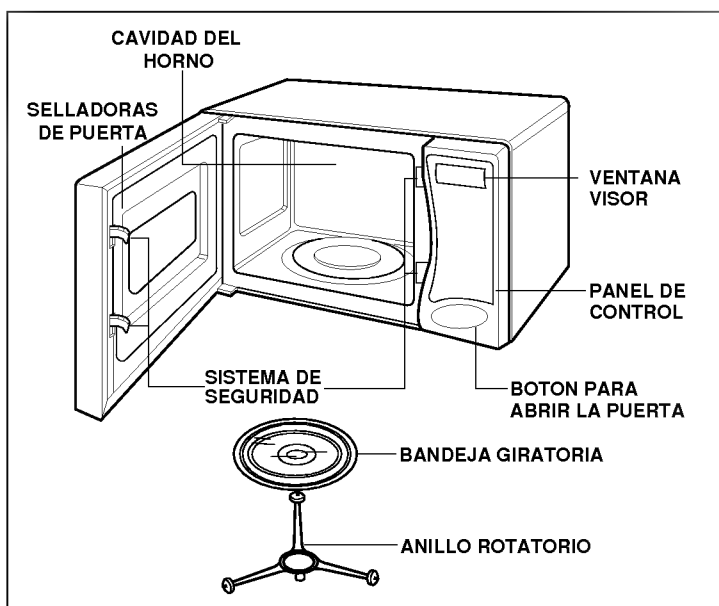
5. Cocinar en bolsas de plástico: Estos son seguros en microondas, están hechos especialmente para cocinar. Sin embargo asegúrese de hacer un agujero en el envase de tal manera que escape vapor. Nunca use bolsas de plástico corrientes en su horno microonda, tal que se achurrasque y rompa.

6. Utensilios plásticos de microonda: Una variedad de formas y tamaños están disponibles para cocinar en microondas.

7. Pocillos de cerámica y de piedra: Envases hechos de estos materiales son generalmente delicados para usarlos en microondas, pero ellos deberán ser testeados para asegurarse.

PRECAUCION: ALTO CONTENIDO DE FIERRO, DE GUIAS ALTAS, SON ALGUNOS OBJETOS PARA NO COCINAR.

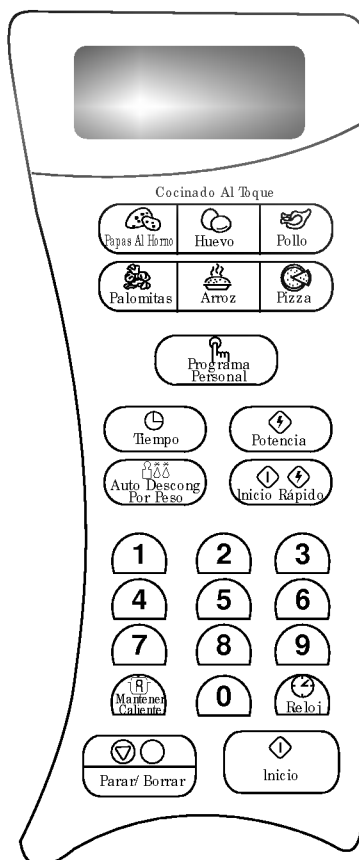
Diagrama de Características / Panel de Control



Su horno será empacado con los siguientes materiales:

Bandeja giratorio	1
Manual de uso	1
Anillo rotatorio	1

Este horno microonda esta diseñado para uso doméstico solamente. No es recomendable para propósitos comerciales.



NOTA: Un pito suena cuando se pulsa una tecla del panel de control, para indicar que se ha ingresado un comando.

Instrucciones de Operación

PROGRAMACION DEL RELOJ

El reloj opera en un rango de 12 horas. Al enchufar el microondas por primera vez o al retornar la electricidad después de un corte de energía, los números en el indicador vuelven a “:”

Ejemplo: Para programar 11:11 hs

PARAR/BORRAR Presione la tecla **PARAR/BORRAR**.

↓

RELOJ Presione la tecla **RELOJ**.
MARQUE LA HORA DEL DIA El siguiente mensaje aparecerá en el indicador

↓

Presione los números correspondientes en el teclado [1], [1], [1] y [1].
11:11 TOQUE INICIO El siguiente mensaje aparecerá en el indicador.

↓

INICIO Presione la tecla **INICIO**. El reloj iniciará el conteo

INICIO RAPIDO

Mediante el uso de este control simplificado, Ud. Podrá ahorrar tiempo al verse facilitada la

Ejemplo: Para programar INICIO RAPIDO para 2 minutos de cocción

PARAR/BORRAR Presione la tecla **PARAR/BORRAR**.

↓

Presione la tecla **INICIO RAPIDO 4 VECES**. El horno iniciará la cocción y el indicador comenzará el conteo de tiempo en forma regresiva.

INICIO RAPIDO

programación y arranque del horno microondas sin necesidad de presionar la tecla INICIO.

NOTA:

Cada presión adicional INICIO RAPIDO, agregará 30 segundos hasta máximo de 3 minutos. Después de 3 minutos, cada presión sumará 1 minuto hasta un máximo de 99 minutos.

COCCION POR TIMER

Función que permite cocinar alimentos durante un lapso de tiempo pre-determinado.

Debido a que ciertos alimentos requieren de una cocción más lenta y a fin de lograr los mejores resultados, Ud. podrá seleccionar entre 10 niveles alternativos de potencia, inferiores a la posición HIGH POWER.

Ejemplo: Cocción de alimentos al 80% de la Potencia (Potencia 8) durante 5 minutos 30 segundos.

PARAR/BORRAR 1. Presione la tecla **PARAR/BORRAR**.

↓

2. Presione **TIEMPO**.
MARQUE TIEMPO DE COCCION El siguiente mensaje aparecerá en el indicador.

TIEMPO

↓

3. Presione las teclas correspondientes al tiempo deseado: [5], [3], and [0].
5:30 TOQUE INICIO
0 POTENCIA El siguiente mensaje aparecerá en el indicador.

↓

4. Presione **POTENCIA**.
MARQUE NIVEL DE POTENCIA
1 AL 10 El siguiente mensaje aparecerá en el indicador.

POTENCIA

↓

5. Presione **8** para seleccionar potencia al 80%
8 P-80 TOQUE INICIO El siguiente mensaje aparecerá en el indicador.

↓

8

↓

6. Presione la tecla **INICIO**.

INICIO

Una vez transcurrido el tiempo de cocción, se escucharán dos tonos de de sonido largos y uno corto. En el indicador aparecerá el mensaje FIN. A continuación la unidad se apaga sola.

NOTA:

Si previamente Ud. no selecciona un determinado nivel de potencia, la unidad operará en el nivel HIGH (el más alto). Para activar cocción en HI-POWER, simplemente no efectúe los pasos 4 y 5 descriptos más arriba.

Instrucciones de Operación

COCION EN 2 ETAPAS

Para cocinar en 2 etapas, repita los pasos 2 a 5 inclusive descritos en la sección Cocción por Timer en la página anterior, presionando la tecla INICIO para seleccionar el Tiempo y la Potencia que Ud. desea adicionar.

El Descongelamiento Automático por Peso puede ser programado antes de iniciar la primera etapa, para descongelar antes de la cocción.

NIVELES DE POTENCIA DEL MICROONDAS

A fin de brindarle el máximo de flexibilidad y control de cocción, su microondas le permite seleccionar hasta 10 niveles de potencia.

La siguiente tabla sirve como guía de los niveles de potencia a seleccionar para distintos tipos de alimentos. Los niveles de potencia consignados corresponden a su unidad.

TABLA NIVELES DE POTENCIA MICROONDAS	
Nivel de Potencia	Descripción
10 (Alto)	<ul style="list-style-type: none"> ● Hervir agua ● Dorar carne ● Preparar golosinas ● Cocinar aves, pescado y verduras ● Cocinar cortes tiernos de carne
9	<ul style="list-style-type: none"> ● Recalentar arroz, pasta y verduras
8	<ul style="list-style-type: none"> ● Recalentar comidas preparadas rápidamente ● Recalentar sandwiches
7	<ul style="list-style-type: none"> ● Cocinar comidas con huevo, leche y queso ● Cocinar pan o tortas ● Derretir chocolate
6	<ul style="list-style-type: none"> ● Cocinar carne de ternera ● Cocinar un pescado completo ● Cocinar budín y flan
5	<ul style="list-style-type: none"> ● Cocinar jamón, aves enteras, cordero ● Cocinar costillas, lomo
4	<ul style="list-style-type: none"> ● Tiernizar carne, aves y frutos de mar.
3	<ul style="list-style-type: none"> ● Cocinar cortes menos tiernos de carne ● Cocinar costillas de cerdo, dorar
2	<ul style="list-style-type: none"> ● Entibiar fruta - Ablandar manteca
1	<ul style="list-style-type: none"> ● Mantener guisos y comidas calientes ● Ablandar manteca y queso crema

TRABA PARA NIÑOS

Este es un dispositivo exclusivo que evita el uso indebido del horno por parte de los niños. Una vez que se coloca la traba para niños, no se podrá efectuar operación de cocción alguna.

TRABA PARA NIÑOS - ACTIVACION

PARAR/BORRAR

Presione **PARAR/BORRAR**.

0

Presione **0** durante 4 segundos. Mantenga **0** presionado hasta que el siguiente mensaje aparezca en el indicador **CIERRE** y se escuchen dos "beeps"

CIERRE

Este mensaje permanecerá en el indicador hasta que Ud. presione alguna tecla. Una vez que Ud. presione una tecla, el indicador mostrará la hora del día. Una vez colocada la traba para niños, si presiona cualquier otra tecla, el indicador mostrará el siguiente mensaje: **CIERRE**

TRABA PARA NIÑOS - DESACTIVAR

0

Para desactivar la traba proceda de la siguiente forma:
Presione y mantenga presionada la tecla **0** hasta que la leyenda **CIERRE** desaparezca del indicador.

COCCION AL TOQUE

Cocción al toque más fácil !!

El menú del microondas ha sido pre-programado para cocinar ciertos alimentos en forma automática. Simplemente ingrese información necesaria y deje que su microondas cocine su selección.

Ejemplo: Para cocinar palomitas de maíz simplemente proceda de la siguiente manera

PARAR/BORRAR

Presione **PARAR/BORRAR**.



Coloque las palomitas de maíz y cierre la puerta

PALOMITAS

Presione **PALOMITAS**. El horno inicia la cocción de el alimento seleccionado sin necesidad de presionar la tecla INICIO: Asegúrese de cerrar la puerta antes de seleccionar la categoría de alimento o cocinar

Instrucciones de Operación

CARTA DE COCCION PARA COCINAR CON UN TOQUE

CATEGORIA	PULSOS DEL BOTON	CANTIDAD	INSTRUCCIONES
PAPAS AL HORNO (temperatura ambiente)	UNA VEZ	1 papa (230 g) 1/4 tasa agua	Las papas grandes lávelas con agua y peleles. Enseguida colóquelas en un palto hondo mediano y agua de acuerdo a la cantidad. Cúbralas con un plástico con perforaciones.
	2 VECES	2 papas (460 g) 1/3 tasa agua	
	3 VECES	3 papas (690 g) 1/2 tasa agua	
	4 VECES	4 papas (920 g) 1/2 tasa agua	
HUEVO (temperatura ambiente)	UNA VEZ	1 a medio hacer	Quiebre el huevo en un bowl o tasa pequeña, perfore la yema con un palillo de cóctel, 4 veces en el centro y varias veces en la clara.
	2 VECES	1 huevo bien hecho	
POLLO (temperatura ambiente)	UNA VEZ	1/4 kg	Si usted quiere el pollo dorado deberá usar salsa para dar un apetitoso color dorado. Mezcle dos cucharadas de aceite, 1 cucharadita de pimienta, 1 cucharada de salsa de soya y sal. Mezcle hasta dar textura y unte las trozos de pollo. Coloque las trozos en plato bajo y cúbralos con plástico perforado.
	2 VECES	1/3 kg	
	3 VECES	1/2 kg	
POPCORN (PALOMITAS)	UNA VEZ	100 g	Coloque las papas fritas en un plato. No cubra.
ARROZ (Refrigerado)	UNA VEZ	1TAZA (200g)	No cubra.
	2 VECES	2 TAZAS (400g)	
PIZZA (Refrigerada)	UNA VEZ	Individual (120 g)	En el plato o pocillo bajo coloque 2 hojas de toalla nova, ponga la pizza. No cubrir.
	2 VECES	Mediana (240 g)	
	3 VECES	Grande (360 g)	

Instrucciones de Operación

DESCONGELAMIENTO POR PESO

Tres secuencias de descongelación tiene su horno microonda. Esta característica le da el mejor resultado de descongelamiento a sus alimentos. La guía de cocción mostrará cual secuencia es la recomendada para el alimento que esta descongelando.

Con la característica de descongelamiento automático, el horno fija automáticamente el tiempo de descongelación y el nivel de potencia.

El horno determina automáticamente el tiempo requerido por cada tipo de alimento de acuerdo al peso que usted le indique.

Para mayor comodidad, la característica de descongelamiento automático contiene internamente un beep que permite revisar, girar, arreglar, ordenar o separar los alimentos tal como se recomienda.

Existen 3 niveles de descongelamiento automático.

1 - CARNE

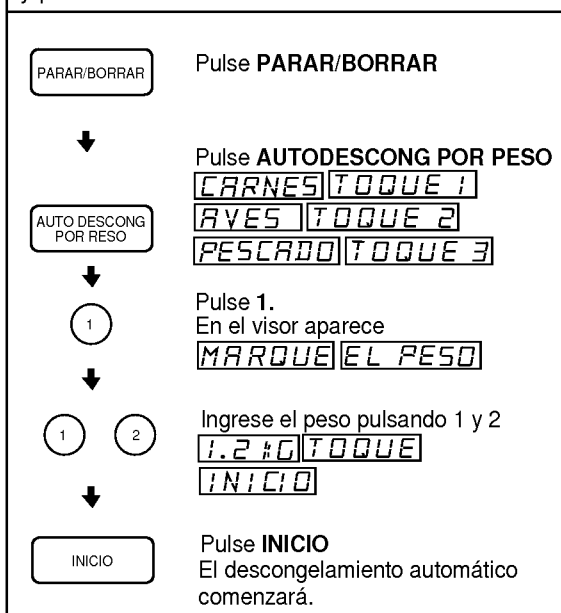
2 - AVES

3 - PESCADO

● Peso disponible es de 0.1 a 4 kg.(0.1 a 6.0 Lbs).

Siempre que desee descongelar y cocinar de inmediato, deberá ingresar menos de 4 k.

Ejemplo: Para descongelar 1,2 k de carne, seleccionar el menú CARNE, ingresar el peso y presionar INICIO.



NOTA:

Cuando usted pulsa INICIO, el visor cambia el conteo del tiempo de descongelación en forma inversa. El beep del horno sonará dos veces durante el ciclo de descongelación. En cada beep abra la puerta y gire reordenando los alimentos. Sacar las porciones que están descongeladas. Pulsar inicio para continuar descongelando las demás porciones. El horno no parará de sonar beep hasta que abra la puerta.

● Para mejores resultados, remueva el pescado, el marisco, la carne y las aves del envase cerrado original. Estos mantienen jugos de los alimentos el cual puede causar que la superficie externa de los alimentos se cocine.

● Coloque los alimentos en un recipiente de vidrio sobre el plato o sobre la parrilla doradora.

SERIE	ALIMENTOS
1 CARNE	CARNE DE VACUNO Bife alemán, rodaja de carne, carne picada, hamburguesa, costilla, etc. CORDERO - Chuletas, Rollos. PORCINO: - Chuletas, Hot dog, etc TERNERA - CHULETAS
2 AVES	AVES entera (4 k) Trozada CODORNIZ entera PAVO pechuga 6 LB.
3 PESCADO	PESCADO - filete, entero. MARISCOS - camarones, carne de crustáceos, etc

Instrucciones de Operación

PROGRAMA PERSONAL

Es posible seleccionar: activar o desactivar el beeper, idioma elegido, mando de velocidad de pergamino, elegir la unidad de medida de peso entre Kgs, y Libras.

Ejemplo 1: Para apagar la cicharra de sonido

1. Presione la tecla **PARAR/BORRAR**.

2. Presione la tecla **PROGRAMA PERSONAL**

ELIJA | KG/LBS
TOQUE 1
IDIOMA | ELEGIDO
TOQUE 2
SONIDO | SI/NO
TOQUE 3
VELOCIDAD DE
AVANCE | TOQUE 4

El siguiente mensaje aparecerá en el indicador.

3. Presione la tecla 3.

SONIDO | SI
TOQUE 1 | NO
TOQUE 2

El siguiente mensaje aparecerá en el indicador:

2. Presione la tecla 2.

El siguiente mensaje aparecerá en el indicador:

SONIDO | NO

No es necesario presionar la tecla inicio

NOTA: Para restablecer el sonido del beep, repita los pasos 1 a 4

Ejemplo 2: Modificación de la velocidad paso información del indicador

1. Presione **PARAR/BORRAR**.

2. Presionar Programa personal y el siguiente mensaje aparecerá en el indicador:

ELIJA | KG/LBS
TOQUE 1
IDIOMA | ELEGIDO
TOQUE 2
SONIDO | SI/NO
TOQUE 3
VELOCIDAD DE
AVANCE | TOQUE 4

El siguiente mensaje aparecerá en el indicador.

3. Presione la tecla 4.

DESPACIO | TOQUE 1
NORMAL | TOQUE 2
RAPIDO | TOQUE 3

El siguiente mensaje aparecerá en el indicador:

1. Presione los tecla 1 y el siguiente mensaje aparecerá en el indicador.

DESPACIO

No es necesario presionar la tecla inicio

NOTA: Para nuevamente cambiar la velocidad de paso de la información en el indicador, repetir los pasos 1 a 4.

MANTENER CALIENTE

La función "MANTENER CALIENTE" continuará hasta por 60 minutos, si la puerta no ha sido abierta ó la tecla "PARAR BORRAR" no ha sido tocada. En éste tiempo, "FIN" desaparecerá con dos tonos cortos y uno largo.

1. Pulse **PARAR/BORRAR**

2. Pulse **MANTENER CALIENTE**

3. Pulse **INICIO**

Cuando el ciclo de la cocción haya terminado, el horno accionará a "MANTENER CALIENTE" para mantener calientes los alimentos y la potencia se mostrará en el desplegado. El control para cocción cambia a la potencia 1.

Procedimientos Generales Para Cocinar Carnes

PRECAUCION: No use papel aluminio durante el ciclo de cocción.

1. No requiere de técnicas especiales. El asado deberá ser preparado y sazonado (si lo desea) por cualquier método tradicional. La carne deberá descongelarse completamente antes de cocinarla.
2. Coloque la carne en el rack asador del microondas o en un plato y coloque sobre el plato giratorio.
3. Cocinelo de acuerdo a la carta de cocción usando tiempos largos para cuartos de pequeñas mezclas y tiempos cortos de mezclas grandes.
4. Gire la carne por mas de una vez durante el tiempo de cocción.
5. Repóselo por 5 a 10 min. envuelta con papel aluminio después de cocinar. El tiempo de reposo es muy importante para finalizar el período de cocción.
6. Pruebe la carne, especialmente el cerdo, esté completamente cocida antes de comer.

CARTA PARA COCINAR CARNE EN MICROONDA

CORTES	TIEMPOS DE COCCION POR 454 gr. (1 libra)	POTENCIA DE MICROONDAS
Lomo/Plateada-Poco asada -Mediano -Bien asado Hamburguesas Asado a la cacerola Salchichas 2 4 8	8½ a 9 min 9 a 10 min 11 a 12½ min 7 a 9 min 6 a 8 min 2 a 3 min 4 a 5 min 5 a 7 min	M-ALTO (80%) M-ALTO (80%) M-ALTO (80%) MIDIO (60%) M-ALTO (80%) ALTO ALTO ALTO
Cordero Pierna, filete, espaldilla	13 a 16 min	M-ALTO (80%)
Cerdo Lonjas, pierna lomo	12 a 15 min 1 min aprox por trozo	M-ALTO (80%) ALTO

NOTA: Los tiempos de arriba deberán ser respetadas como una guía solamente permiten sabores individuales y preferencias. Los tiempos pueden variar debido al corte y composición de la carne.

Procedimientos Generales Para Cocinar Aves

PRECAUCION: No use papel aluminio durante el ciclo de cocción.

1. No requiere técnicas especiales. El pollo deberá ser preparado tal como cualquier método convencional. Sazone si lo desea.
2. El pollo deberá estar completamente descongelado, asegurando menudencias y que cualquier metal sea removido.
3. Pinche el pellejo y cepille ligeramente con aceite vegetal.
4. Todos el pollo deberá estar colocado en el rack asador del microonda o en un plato de horno y colocado en la bandeja giratoria.
5. Cocine de acuerdo a las instrucciones, en el carta de cocción girando el ave a través del tiempo de cocción. Particularmente el pollo, porque por su textura tiene tendencia a cocinarse desigualmente, especialmente en las partes muy gorditas. Girando el ave durante el rostizado ayuda estas áreas a cocerse uniformemente.

NOTA: Si el ave entera esta estofada, el peso del ave estofada deberá ser hecho calculando el tiempo de cocción.

6. Repose por 5 a 10 min, envuelvalo en papel estañado después de cocer antes pinchelo. El tiempo de reposo es muy importante para finalizar el período de cocción.

Procedimientos Generales Para Cocinar Aves

7. Asegúrese que el ave este completamente cocinada antes de comer. El ave entera esta cocida cuando el corre jugo claro desde el interior al pinchar una trozo con el tenedor. Los trozos de pollo deberán ser pinchados con el tenedor sobre todo las partes gruesas para asegurarse que el jugo este claro y firme.

CARTA DE COCCION DE AVES EN MICROONDAS

AVES	TIEMPO DE COCCION POR 454 g (1 libra)	POTENCIA DE MICROONDAS
Pollos Entero Pechuga Trozado	9 1/2 a 12 min 8 a 10 min 9 a 11 min	M-ALTO (80%) M-ALTO (80%) M-ALTO (80%)
Codorniz Entera	8 1/2 a 11 1/2 min	M-ALTO (80%)

NOTA: Los tiempos de arriba deberán ser respetados como una guía solamente permite su individual preferencia. Los tiempos pueden variar debido a la forma y composición de los alimentos.

Procedimientos Generales Para Cocinar Pescado

PRECAUCION: No use papel estañado durante el ciclo de cocimiento.

1. Ordene el pescado en una fuente larga no metálica o cacerola.
2. Cubra con pedazos de plástico para microondas o cacerola tapada.
3. Coloque el plato sobre la bandeja giratoria.
4. Cocine de acuerdo a las instrucciones de la carta de cocimiento. Puede agregar escamas de mantequilla en el pescado si lo desea.
5. Repóselo según indicaciones de la carta antes de servirlo.
6. Luego del tiempo de reposo asegúrese que el pescado este completamente cocido. El pescado estará opaco y fácil de cortar.

CARTA DE COCCION DE PESCADO FRESCO

pescado	tiempo de coccion POR 454 g (1 lb)	seleccion	Metodo	reposo
Filetes de pescado	4 a 6 min	ALTO	Agregar leche: 1-2 cucharaditas	2-3 min
Bacalao	5 a 7 min	ALTO	1-2 cucharaditas	3-4 min
Filetes de lenguado	2 1/2 a 4 min	ALTO	1-2 cucharaditas	2-3 min
Lenguas de paloma	4 a 6 min	ALTO	1-2 cucharaditas	2-3 min
Mariscos enteros, Limpios y preparados	4 a 6 min	ALTO	—	3-4 min
Truchas enteras, Limpias y preparadas	5 a 7 min	ALTO	—	3-4 min
Bistec de salmón	5 a 6 min	ALTO	1-2 cucharaditas	3-4 min

Tabla de Vegetales Frescos

Vegetable	Cantidad	Tiempo de Cocción ALTO	Instrucciones	Tiempo de Resposo
Alcachofa (8 oz, cada una)	2 medianas 4 medianas	6-8 11-13	Cortar. Añada 2 cucharaditas de agua y 2 cucharaditas de jugo. Cubra.	2-3 minutos
Espárragos, Frescos	1 lb.	7-9	Añada 2 cucharadas de agua. Cubra.	2-3 minutos
Frijoles, verdes, y amarillos	1 lb.	10-11	Añada 2 cucharadas de agua en una cacerola de 1-qt., Revuelva en la mitad del tiempo de cocción.	2-3 minutos
Remolacha, fresca	1 lb.	17-20	Añada 1/4 de taza de agua en una cacerola de 1-qt, cubierta. Vuelva a arreglar en la mitad del tiempo de cocción.	2-3 minutos
Brócoli, fresco**	1 lb.	6-8	Coloque el brócoli en el plato de hornear. Añada dos cucharadas de agua.	2-3 minutos
Col o repollo picado	1 lb.	7-9	Añada 1/4 taza de agua en una cacerola de 1 qt., cubierta. Revuelva en la mitad del tiempo de cocción.	2-3 minutos
Zanahorias, frescas, rebanadas	2 tazas	6-8	Añada dos cucharadas de agua en una cacerola de 1 1/2 qt., cubierta. Revuelva Pelar, en la mitad del tiempo de cocción.	2-3 minutos
Coliflor, fresco, enteros.	1 lb.	7-9	Corte. Añada dos cucharadas de agua en una cacerola de 1 qt., cubierta. Revuelva en la mitad del tiempo de cocción.	2-3 minutos
Apilo fresco con florecitas, rebanado	2 tazas 4 tazas	5-6	Rebane. Añada dos cucharadas de agua en una cacerola de 1 qt. Revuelva en la mitad del tiempo de cocción.	2-3 minutos
Maiz, fresco	2 orejas	9-12	Pele. Añada dos cucharadas de agua en una fuente de hornear de tamaño de 1 qt. Cubra.	2-3 minutos
Hongos, frescos, rebanados	1/2 lb.	4-5	Coloque los hongos en una cacerola de un 1 qt., cubierta Revuelva a mitad del tiempo de cocción.	2-3 minutos
Chiviría, fresca, rebanada	1 lb.	6-8	Añada dos cucharadas de agua en una cacerola de 1 qt., cubierta. Revuelva en la mitad del tiempo de cocción.	2-3 minutos
Guisantes verdes frescos	4 tazas	6-8	Añada dos cucharadas de agua en una cacerola de 1 qt., cubierta. Revuelva en la mitad del tiempo de cocción.	2-3 minutos
Papas, dulces, enteras (6-8 oz. cada una)	2 medianas 4 medianas	6-8 8-10	Pinche las papas varias veces con un tenedor. Coloque en dos hojas de papel tlla. Déle la vuelta en la mitad del tiempo de cocción.	2-3 minutos
Papas, blancas, enteras para hornear (6-8 oz. cada una)	2 papas 4 papas	7-9 12-14	Pinche las papas varias veces con un tenedor. Coloque en dos hojas de papel tlla. Déle la vuelta en la mitad del tiempo de cocción.	2-3 minutos
Espínaca, fresca, hoja	1 lb.	6-8	Añada dos cucharadas de agua en una cacerola de 1 qt., cubierta.	2-3 minutos
Calabaza, bellota, fresca	1 mediana	8-10	Corte la calabaza por la mitad. Remueva la semilla. Colóquela en una fuente de hornear de 8x8 plgs. Cubra.	2-3 minutos
Calabacin, fresco, rebanado	1 lb.	7-10	Añada dos cucharadas en una cacerola de 1 qt., cubierta. Revuelva en la mitad del tiempo del tiempo de cocción.	2-3 minutos
Calabacin, fresco, entero	1 lb.	8-9	Pinche. Colóquelo en dos hojas de papel tlla. Déle la vuelta al calabacin y vuelva a arreglarlo en la mitad del tiempo de cocción.	2-3 minutos

Otras Instrucciones de Ayuda

Para Mejores Resultados:

1. Cuando determine el tiempo para un alimento en particular, comience usando el mínimo de tiempo y revise ocasionalmente para arreglar. Es fácil de sobrecocer los alimentos porque las microondas cuecen muy rápido.
2. Pequeñas cantidades de alimento o comidas con poco contenido de agua muy secas externamente y duras se cocinan por mas tiempo.
3. No use el horno para secar paños de cocina o productos de papel. Ellos pueden arder.
4. Quiebre los huevos antes de cocinarlos en el microondas.
5. Para alimentos tales como manzanas, papas, yema de huevo, hígados de pollo etc, asegúrese sacar el pellejo o membrana para prevenir reventones mientras se cocinan en el microondas.

Descongelamiento de Alimentos

1. Los alimentos que han sido congelados pueden ser colocados directamente en el horno para deshielo. Asegurándose de sacarle las partes metálicas.
2. El descongelado de acuerdo a la guía de descongelacion de este manual.
3. Partes de los alimentos se deshuelan mas rápidos que otros, protéjalos si es necesario.
4. Algunos alimentos deberán ser completamente cubiertos antes de cocinar. Por ejemplo, el pescado se cocina tan rápido que esta algunas veces comenzando la cocción mientras se descongela.
5. Puede ser necesario aumentar o disminuir el tiempo de cocción en algunas recetas, dependiendo de la temperatura inicial de los alimentos.

NOTA:

El viento de la aberturas puede ser caliente durante la cocción, esto es normal.

Dorando:

Hay unos pocos alimentos el cual no son cocinados lo suficiente en el horno microondas para dorarse, y muchos necesitan color adicional.

Rostizar, pollo o perrnil, cocinados por 10 minutos o mas se dorarán mejor sin aditivos extras.

Utencilios de Cocina:

1. Vidrio térmico, cerámicas de vidrio y resistentes al calor, son excelentes utensilios.

2. Servilletas de papel, toallas, platos, copas y cartón son utensilios convenientes. Algunos productos de papel reciclado pueden contener impurezas el cual pueden causar arcos o fuego cuando se usan en el horno microonda.
3. Algunos platos plásticos, recipientes tazas y envoltorios pueden ser usados en el horno microondas. Siga las instrucciones de fabricación o información dada en la guía de cocción cuando use plásticos en su microonda.
4. Utensilios de metal y utensilios con bordes metálicos no deben ser usados en el horno microondas.

Para Limpiar su Microondas

1. Mantenga el interior del horno limpio. Salpicaduras de alimento o derrame de líquidos en las murallas del horno y entre los selladores de la puerta. Lo mejor para limpiar lo derramado con un paño húmedo. Migajas y derrames adsorverán la energía de las microondas y alargaran los tiempos de cocción. Use un paño suave, saque las migajas que caen entre la puerta y el marco. Es importante mantener esta área limpia para asegurar el sellado hermético. Remover la grasa esparcida con un paño jabonoso enseguida enjuague y seque. Al hacerlo no use detergentes o diluyentes. La bandeja de vidrio puede ser lavada manualmente o en el lavaplatos.
2. Mantener el exterior limpio. Límpielo con agua y jabón enseguida séquelo con un paño suave o toalla de papel. Para prevenir daño en las partes operativas dentro del horno, el agua no deberá entrar en los orificios de ventilación. Para limpiar el panel de control, abra la puerta para prevenir accionar el horno accidentalmente y con un paño húmedo siguiendo inmediatamente con un paño seco. Presione PARAR/BORRAR después de limpiar.
3. Si acumula vapor en el interior o en el exterior de la puerta del horno, limpie el panel con paño suave. Esto puede ocurrir cuando el horno microonda esta operando bajo condiciones de alta humedad y conduce a malfuncionamiento de la unidad.
4. La puerta y el sello de la puerta deberá mantenerse limpio. Use solamente agua jabonosa, enjuague y seque rápidamente. NO USE MATERIALES ABRASIVOS TALES COMO LIMPIADORES EN POLVO O ALMOHADILLAS PLASTICAS.

Precauciones de Seguridad

1. No remueva el interior, ni lo ajuste o repare la puerta o el panel de control, o el dispositivo de seguridad ni ninguna otra parte del horno. Las reparaciones deberán ser solamente realizadas por un personal técnico calificado.
2. No ponga en funcionamiento el horno vacío. Es recomendable dejar un vaso de agua dentro cuando no lo use. El agua seguidamente adsorberá toda la energía del microonda, si el horno empieza a funcionar accidentalmente.
3. No seque ropa en el horno microonda, puede quemarse si el calor es excesivo.
4. No cocine alimentos envueltos en toalla de papel, a no menos que su libro de cocina contenga instrucciones para el alimentos que usted esta cocinando.
5. No use papel de diario en lugar de toalla de papel para cocinar.
6. No use envases cerrados. Ellos pueden calentarse demasiado y quemarse.
No use envases de metal o cacharros que tienen partes metálicas. Siempre saque el metal. Objetos de metal en el horno hacen arcos, el cual causan severos daños.
7. No opere el horno con la puerta o la orillas frontales obstruidas por un paño de cocina o servilleta, el cual pueden causar fugas de microondas.
8. No use papeles reciclados ellos pueden contener impurezas el cual pueden causar fuego durante el cocinado.
9. No enjuague la bandeja giratoria colocándola en agua inmediatamente después de cocinar. Esto puede causar quiebre y daño.
10. Pequeñas cantidades de comida requieren tiempo de cocción corto. Si el tiempo normal asignado ellos pueden sobrecocerse y quemarse.
11. Sitúe el horno hacia el frente de la puerta esté a 8cm o mas detrás del borde de la superficie en el cual esta colocado, para evitar volteo accidental del aparato.
12. Antes de cocinar pele las papas, manzanas u otras frutas o vegetales.
13. No cocine huevos en su cascara. La presión interior reventara el huevo.
14. No intente freír trozos de grasa en el horno.
15. Quite el plástico de platos precocidos antes de cocinar. En algunos casos es posible cocinar cubriendo los alimentos con un film plástico, para calentar o cocinar, esta detallado en el libro de cocina en microonda.
16. El horno nunca debe ser usado si el sello de la puerta no esta funcionando bien.
17. Cuando son cocinados líquidos en el microondas, ellos pueden tener un sobrecalentamiento sobre su punto de ebullición sin burbujas visibles.
Cuando el recipiente es sacado, el roce puede causar formaciones de burbujas. Un manantial de líquido caliente puede esparcirse fuera del recipiente en forma explosiva.
18. Si observa humo mantenga la puerta del horno cerrada apague o desenchufe el horno.
19. Cuando el alimento es calentado o cocido en recipientes de plástico, papel o materiales combustibles, mire el horno frecuentemente para revisar si el recipiente de alimento se esta deteriorando.

PRECAUCION: Asegúrese que los tiempos de cocción esta dados correctamente ya que la sobrecocción puede causar fuego y como consecuencia dañar el horno.

Preguntas Y Respuestas

- P** ¿Que esta mal en el horno cuando la luz interior no enciende?
- R** Puede haber varias razones porque la luz del horno no se enciende:
- La ampolleta se ha roto.
 - La puerta no esta cerrada.
- P** Pasan energías de microondas a través de ventanilla de la puerta?
- R** Los orificios o ductos, están hechos para permitir el paso de la luz, ellos no permiten el paso de energía de microondas.
- P** Porque suena el "Beep" cuando una tecla del panel de control es tocada?
- R** El Beep suena para asegurarle que la selección esta siendo ingresada apropiadamente.
- P** Se daña el microonda si se opera mientras esta vacío?
- R** Si, Nunca lo haga funcionar vacío o sin la bandeja de vidrio.
- P** Porque los huevos a veces revientan?
- R** Cuando cocine, o fría huevos, la yema puede reventa debido a la acumulación de vapor en el interior de la membrana de la yema. Para prevenir esto, simplemente perforce la yema antes de cocinar. Nunca hornee huevos en su cascara.
- P** Porque es recomendado el tiempo de reposo después de la cocción en microonda?
- R** Después que la cocción ha finalizado, mantener los alimentos cocidos en reposo durante un tiempo. Esto reposo finaliza la cocción uniformemente de los alimentos. La cantidad de tiempo de reposo depende de la densidad del alimento.
- P** Es posible hacer cabritas (Popcorn) en el microonda?
- R** Si, usando uno de los 2 métodos descritos abajo:
- (1) Utilizando artefactos expresamente diseñados para producir "popcorn" en hornos microondas.
 - (2) El popcorn especialmente preparado y empacado para ser cocinado en hornos microondas, que contengan instrucciones precisas sobre la potencia y tiempos requeridos para el efecto.
SIGA LAS INSTRUCCIONES DADAS POR CADA FABRICANTE PARA SUS PRODUCTOS Y NO SE ALEJE DEL HORNO MIENTRAS SE ESTA COCINANDO EL "POPCORN". SI OCURRIERA QUE EL MAIZ NO REVIENTA DESPUES DEL TIEMPO PREVISTO, DECONTINUE EL PROCESO U APAGUE EL HORNO "PAPAR/BORRAR" PUES EL RECOCIMIENTO DEL MAIZ PUEDE RESULTAR EN INCENDIO.
- PRECAUCION:** NUNCA USE BOLSAS DE PAPEL CAFE PARA REVENTAR MAIZ NUNCA INTENTE REVENTAR LOS GRANOS SOBRANTES QUE NO LLEGARON A REVENTAR.
- P** Porque no siempre el horno cocina tan rápido como dice la gua de cocina.
- R** Revise su guia de cocina nuevamente para asegurarse que usted siguio correctamente las indicaciones, y ver que fuerza causó la variación en el tiempo de cocción. Los tiempos de la guia de cocina y la potencia son sugerencias, escoja ayuda para prevenir el sobrecocimiento, el problema mas común de uso obtenido por su microonda. Variaciones en el tamaño, peso y dimensiones del alimento requieren tiempos de cocción más extensos. Use su propio juicio además de las sugerencias de coción para revisar lo hecho, como lo hace con una coccion cenvencional.

