



Room Air Conditioner (Window Type) **OWNER'S MANUAL**

Before installation, this air-conditioning unit must be approved for approval by the utility service which applies to the electricity (EN 60555-3 Norm).



Safety precautions

Safety Precautions3

Operating Instructions

About the Controls on the
air conditioner.....5
Features9
Care and Maintenance10

Installation Instructions

Installation Hardware12

Troubleshooting tips

Before You
Call for Service15

FOR YOUR RECORDS

Write the model and serial numbers here:

Model #

Serial #

You can find them on a label on the side of each unit.

Dealer's Name

Date Purchased

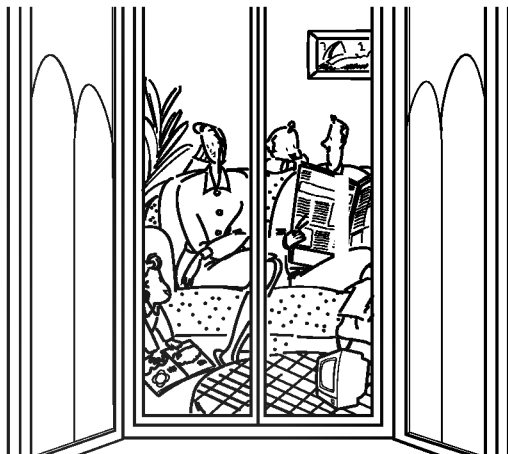
READ THIS MANUAL

Inside you will find many helpful hints on how to use and maintain your air conditioner properly. Just a little preventive care on your part can save you a great deal of time and money over the life of your air conditioner.

You'll find many answers to common problems in the chart of troubleshooting tips. If you review our chart of **Troubleshooting Tips** first, you may not need to call for service at all.

CAUTION

- Contact the authorized service technician for repair or maintenance of this unit.
- Contact the installer for installation of this unit.
- The air conditioner is not intended for use by young children or infirm persons without supervision.
- Young children should be supervised to ensure that they do not play with the air conditioner.



Safety Precautions

To prevent injury to the user or other people and property damage, the following instructions must be followed.

■ Incorrect operation due to ignoring of instruction will cause harm or damage, the seriousness is classified by the following indications.



WARNING

: This symbol shows the possibility of causing death or serious injury.



CAUTION

: This symbol indicates the possibility of injury or damage to properties only.

■ The items to be followed are classified by the following symbols.



Never Do This

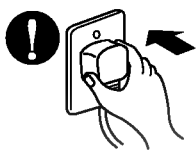


Always Do This



WARNING

• Otherwise, it will cause electric shock or fire due to heat generation or electrical shock.



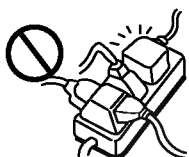
• It will cause electrical shock or fire due to heat generation.



• It will cause electrical shock or fire.
• If the supply cord is damaged, it must be replaced by a special cord or assembly available from the manufacturer or its service agent.



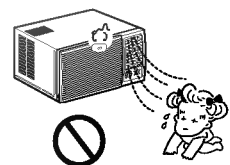
• It will cause electrical shock or fire due to heat generation.



• It may cause electrical shock.



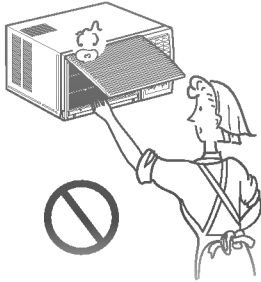
• This could damage your health.



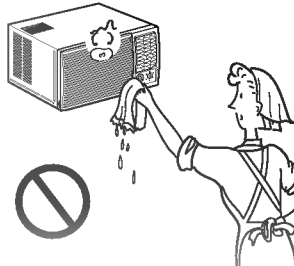


CAUTION

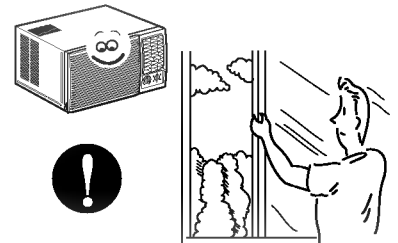
• It may cause an injury.



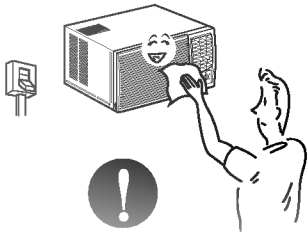
• Water may enter the unit and degrade the insulation. It may cause an electric shock.



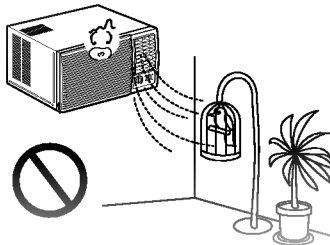
• An oxygen shortage may occur.



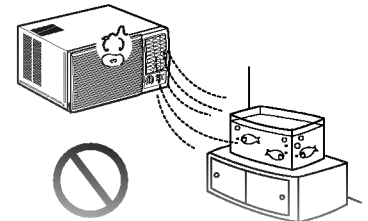
• Since the fan rotates at high speed during operation, it may cause an injury.



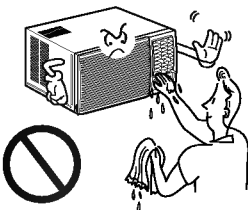
• This could injure the pet or plant.



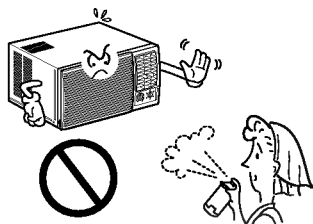
• Do not use this air conditioner to preserve precision devices, food, pets, plants, and art objects. It may cause deterioration of quality, etc.



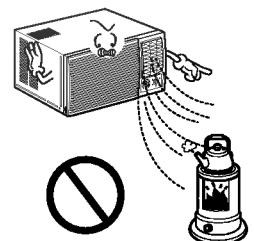
• It may cause an electric shock.



• It may cause a fire or deformation of the cabinet.



• It may cause imperfect combustion.

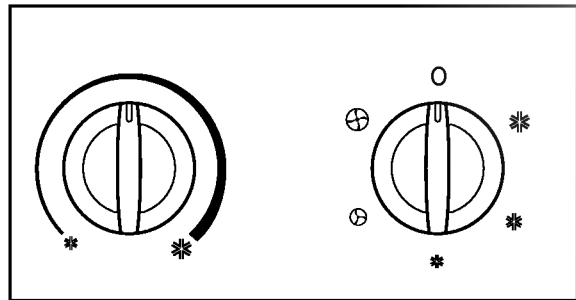
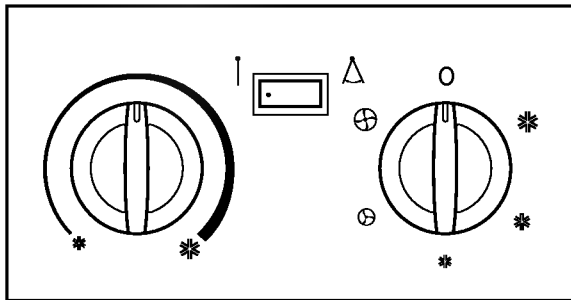
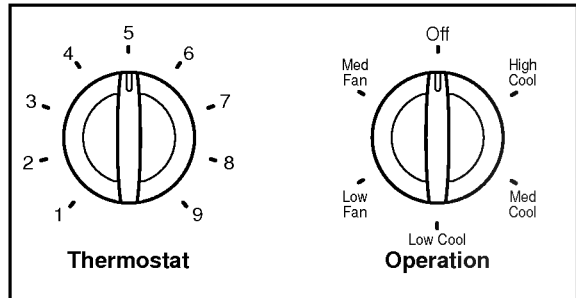
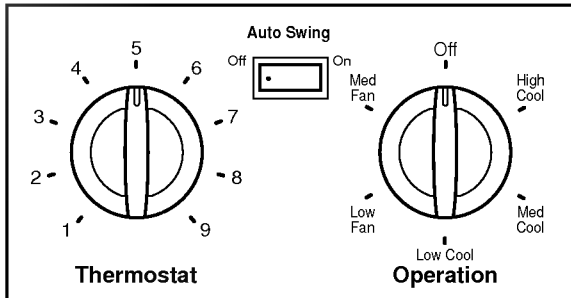


About the Controls on the air conditioner

The controls will look like one of the following.



Controls



• OPERATION

High Cool (*), **Med Cool** (*) and **Low Cool** (*) provide cooling with different fan speeds. **Med Fan** (⊕) or **Low Fan** (⊖) provides air circulation and filtering without cooling. **Off** (○) turns the air conditioner off.

NOTE: If you move the switch from a cool setting to off or to a fan setting, wait at least 3 minutes before switching back to a cool setting.

Cooling Descriptions

For Normal Cooling- Select **High Cool** or **Med Cool** with the **OPERATION** knob at the midpoint of **THERMOSTAT** knob.

For Maximum Cooling- Select **High Cool** with the **OPERATION** knob at the highest number available on your **THERMOSTAT** knob.

For Quieter & Nighttime Cooling- Select **Low Cool** with the **OPERATION** knob at the midpoint of **THERMOSTAT** knob.

• CAUTION

When the air conditioner has been performed its cooling operation and is turned off or set to the fan position, wait at least 3 minutes before resetting to the cooling operation again.

• THERMOSTAT

The **THERMOSTAT** is used to maintain the room temperature. The compressor will cycle on and off to keep the room at the same level of comfort. When you turn the knob to a higher number (the right side) and the indoor air will become cooler.

The **5** or **6** position (the middle position of arc) is a normal setting for average conditions.

• AUTO SWING

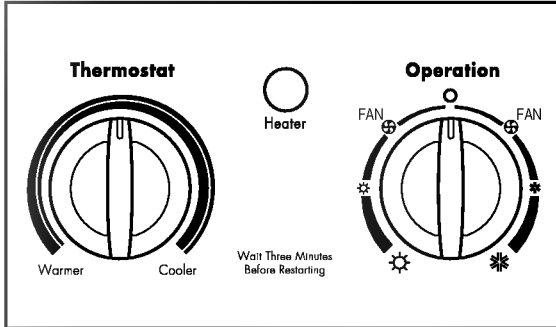
Auto swing switch controls the horizontal air direction by air swing system (not on all models).

ON (△): Auto swing is operated.

OFF (↑): Auto swing is not operated.

The controls will look like one of the following.

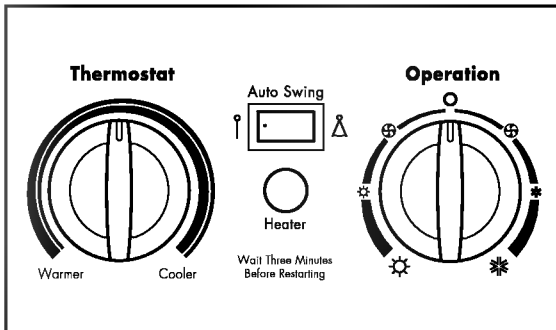
Controls



• THERMOSTAT

Turn the thermostat control to the desired setting. The control position is a normal setting for average conditions. You can change this setting, if necessary, in accordance with your temperature preference.

The thermostat automatically controls cooling or heating, but the fan runs continuously whenever the air conditioner is in operation. If the room is too warm, turn the thermostat control clockwise. If the room is too cool, turn the thermostat control counterclockwise.



• HEATER (☀) LAMP

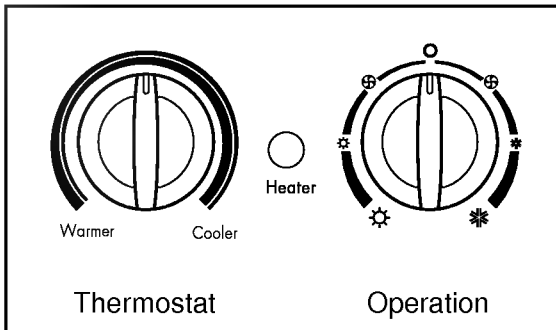
When the unit sets heating operation condition, the green lamp is lighted.

When the frost settles on the heat exchanger of the outside, defrosting is made automatically and the green lamp is turned off.

The unit may give a "hiss" and the fan motor stops for 1 to 10 minutes.

This should not be regarded as a problem.

After defrosting, the heating operation begins again.



• OPERATION

OFF (○) : Turns the air conditioner off.

LOW FAN (⊗) : Permits the low fan speed operation without cooling(heating).

LOW COOL (✱) : Permits cooling with the low fan speed operation.

HIGH COOL (✱) : Permits cooling with the high fan speed operation.

LOW HEAT (☀) : Permits heating with the low fan speed operation.

HIGH HEAT (☀) : Permits heating with the high fan speed operation.

• AUTO SWING (for some models)

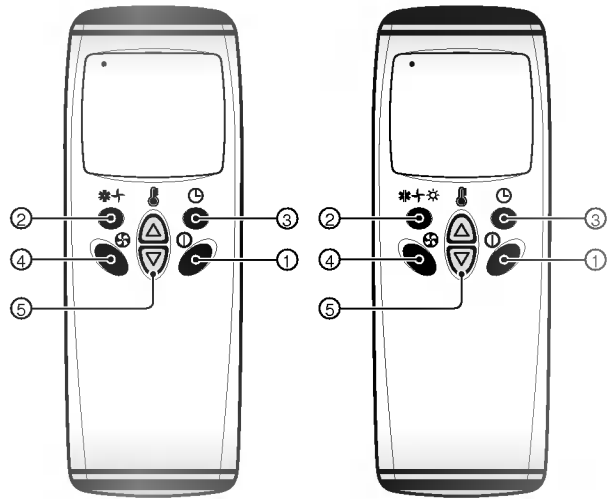
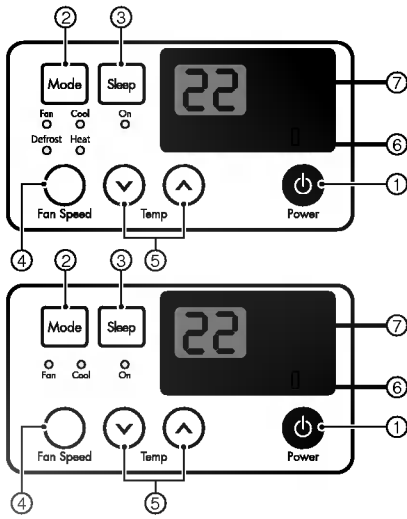
ON (△) : Air swing is operated while OPERATION knob is set to the COOL or HEAT position.

OFF (↑) : Stops the operation of air swing.

• CAUTION

When the air conditioner has been performed its cooling operation and is turned off or set to the fan position, wait at least 3 minutes before resetting to the cooling operation again.

The controls will look like one of the following.



Controls

1 POWER BUTTON

Operation starts, when this button is pressed and stops when you press the button again.

2 OPERATION MODE SELECTION BUTTON

Select Cooling, Heating, or Fan mode with this button.

3 ON/OFF TIMER BUTTON

Set the time of starting and stopping operation.
The timer is set by 1 hour.

4 FAN SPEED SELECTOR

Select the fan speed. Cooling Model: 3 steps{High[E3] → Low[E1] → Med[E2] → High[E3]...}
Heating Model: 2 steps{High[E2] → Low[E1]} → High[E2]...}

5 ROOM TEMPERATURE SETTING BUTTON

Control the room temperature within a range of 16°C to 30°C. The room temperature will be adjusted by 1°C 30 min., and by 2°C 1 hour later.

AUTO RESTART SWITCH

In failure of electric power, if the switch is set to "ON", the unit runs as previous setting operation when power returns.

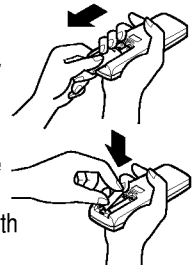
SIGNAL RECEIVER

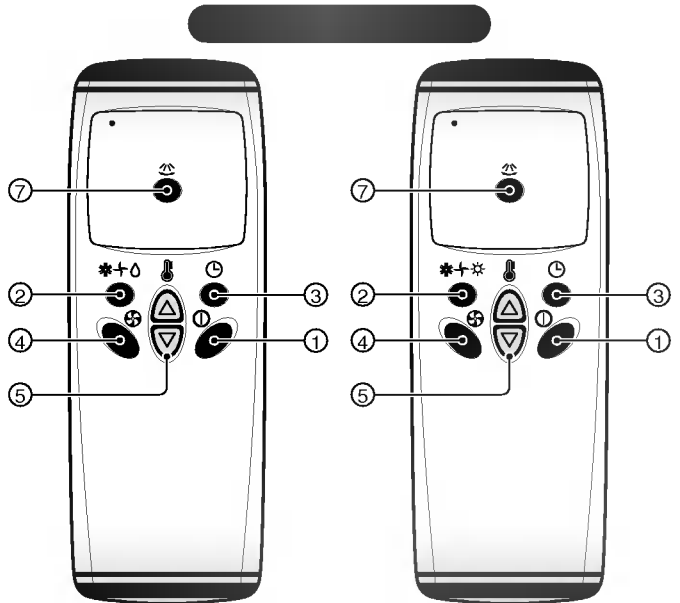
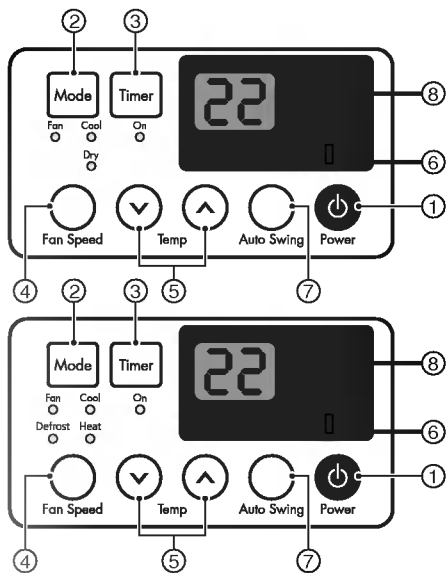
HOW TO INSERT BATTERIES

- 1 Remove the cover from the back of the remote controller.
 - Slide the cover according to the arrow direction.
- 2 Insert the two batteries.
 - Be sure that the (+) and (-) directions are correct.
 - Be sure that both batteries are new.
- 3 Re-attach the cover.
 - Slide it back into the position.

- Do not use rechargeable batteries, such batteries differ from standard dry cells in shape, dimensions, and performance.

- Remove the batteries from the remote controller if the air conditioner is not going to be used for an extended length of time.





Controls

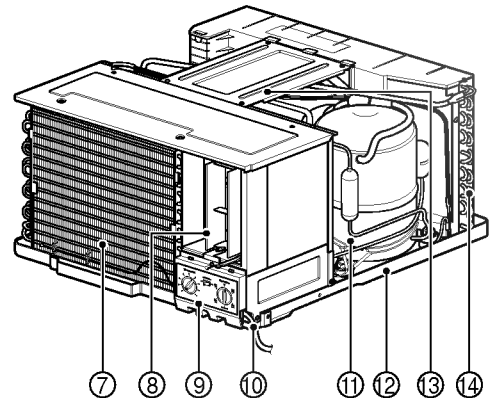
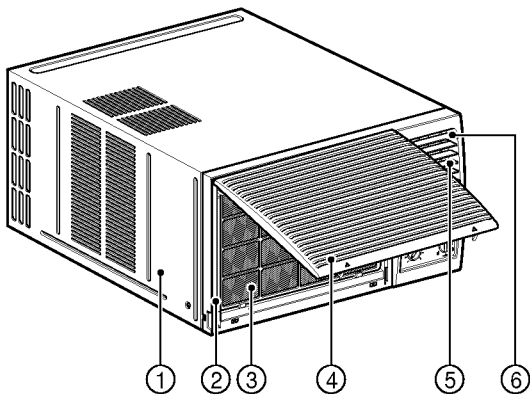
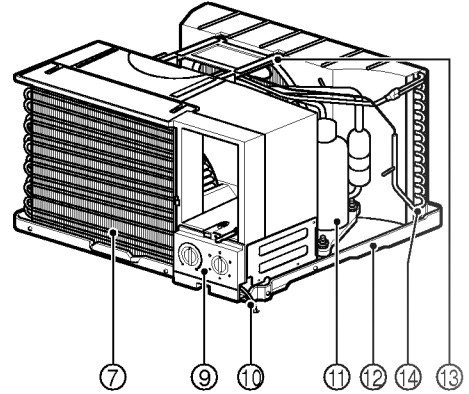
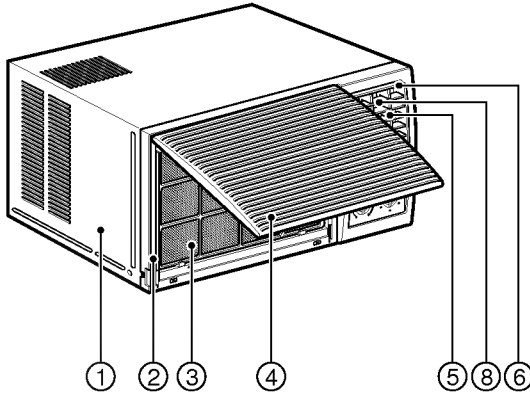
Precaution: The Remote Control unit will not function properly if strong light strikes the sensor window of the air conditioner or if there are obstacles between the Remote Control unit and the air conditioner.

- 1 POWER BUTTON**
Operation starts, when this button is pressed and stops when you press the button again.
- 2 OPERATION MODE SELECTION BUTTON**
Select Cooling, Heating, Fan or Dehumidification(Dry) mode with this button.
- 3 ON/OFF TIMER BUTTON**
Set the time of starting and stopping operation.
The timer is set by 1 hour.
- 4 FAN SPEED SELECTOR**
Select the fan speed
- Cooling Model: High[F3] → Low[E1] → Med[F2] → High[F3]
- Heating Model: High[F2] → Low[E1] → High[F2]
- 5 ROOM TEMPERATURE SETTING BUTTON**
Control the room temperature within a range of 16°C to 30°C.
- AUTO RESTART SWITCH**
In failure of electric power, if the switch is set to "ON", the unit runs as previous setting operation when power returns.
- AUTO SWING**
The vertical louver swings horizontally by the automatic system and stops when you press the button again.
- SIGNAL RECEIVER**

Features

Learning parts name prior to installation will help you understanding the installation procedure.

Features



1. CABINET
2. FRONT GRILLE
3. AIR FILTER
4. AIR INTAKE(INLET GRILLE)
5. AIR DISCHARGE
6. VERTICAL AIR DEFLECTOR
(HORIZONTAL LOUVER)
7. EVAPORATOR

8. HORIZONTAL AIR DEFLECTOR
(VERTICAL LOUVER)
9. CONTROL BOARD
10. POWER CORD
11. COMPRESSOR
12. BASE PAN
13. BRACE
14. CONDENSER

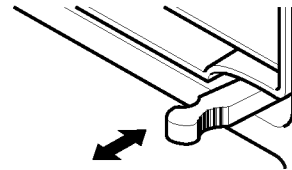
Care and Maintenance

Additional controls and important information.

Vent Control

The vent control is located above the control knobs.

When set at **CLOSE**, only the air inside the room will be circulated and conditioned.
When set at **OPEN**, some inside air is exhausted outside.



CLOSE  **VENT**  **OPEN**

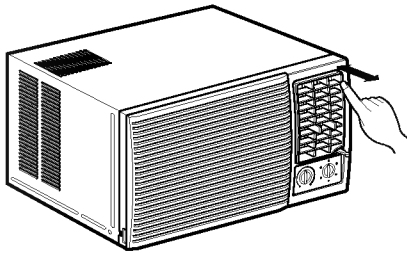
To open the vent, pull the lever toward you.
To close it, push it in.

Air Direction

The direction of air can be controlled horizontally or vertically by using the horizontal louver or vertical louver.

• Vertical Air-Direction

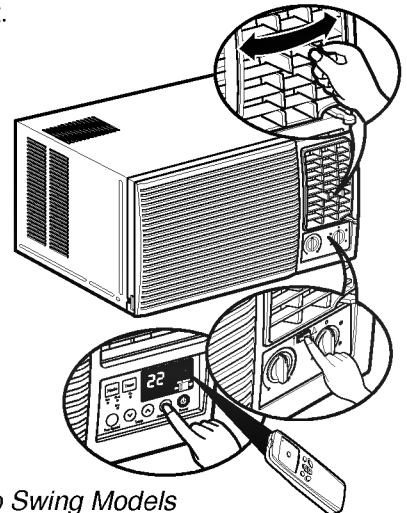
Fingertip pressure on the bank of horizontal louvers adjusts the air direction up or down



• Horizontal Air-Direction

- Not Auto swing Models

The horizontal air direction is adjusted by moving the inside louvers to the left or right.



- Auto Swing Models

The horizontal air direction is automatically controlled by setting the **AUTO SWING** switch to the **ON** position

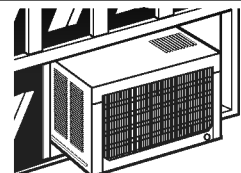
Grille and Case

Turn the air conditioner off and remove the plug from the wall outlet before cleaning.

To clean, use water and a mild detergent. Do not use bleach or abrasives.

Outdoor Coils

The coils on the outdoor side of the air conditioner should be checked regularly. If they are clogged with dirt or soot they may be professionally steam cleaned, a service available through a dealer.



Air Filter

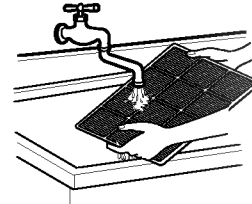
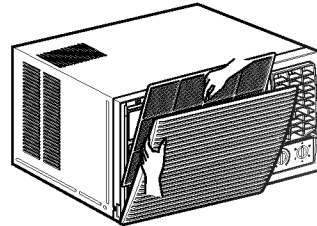
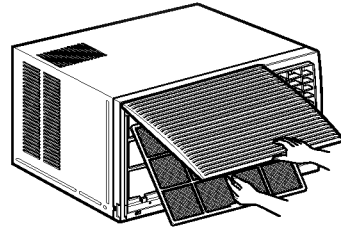
The air filter behind the front grille should be checked and cleaned at least once every 2 weeks or more often if necessary.

The grille is designed to clean the filter both upward and downward.

To remove:

- 1 Open the inlet grille upward by pulling out the bottom of the inlet grille or downward by pulling out the top of the inlet grille.
- 2 Using the tab, pull up slightly on the filter to release it and pull it down or up.
- 3 Clean the filter with warm, soapy water below 40°C (104°F).
- 4 Rinse and gently shake the water from the filter and let it dry before replacing it.

CAUTION: DO NOT operate the air conditioner without a filter because dirt and lint will clog it and reduce performance.



Drainage

In humid weather, excess water may cause the BASE PAN to overflow. To drain the water, remove the DRAIN CAP and secure the DRAIN PIPE to the rear hole of the BASE PAN. (except heat pump models)

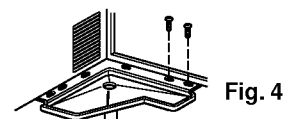
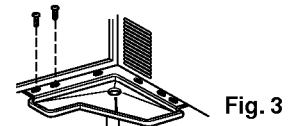
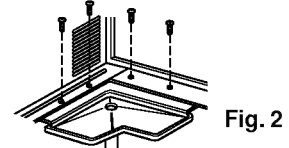
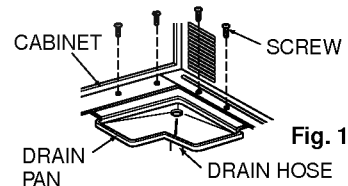
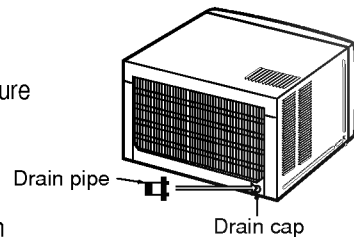
The air conditioner employs a proper drain method whereby the condensate water (moisture removed from the air) is drained to the outside.

In very humid weather, (and for reverse cycle models in the reverse mode) excessive condensate water removed from the air may cause some water to collect. To remove this excess water you can install the drain pan as detailed below. (for heat pump models and over 18K cooling models)

1. Take the drain pan which is shipped in the air discharge or on the barrier.
2. Remove the rubber plug from the bottom of the base pan.
3. Install the drain pan over the corner of the cabinet where you removed the plug with 4 (or 2) screws.
4. Connect the drain hose to the outlet located at the bottom of the drain pan.

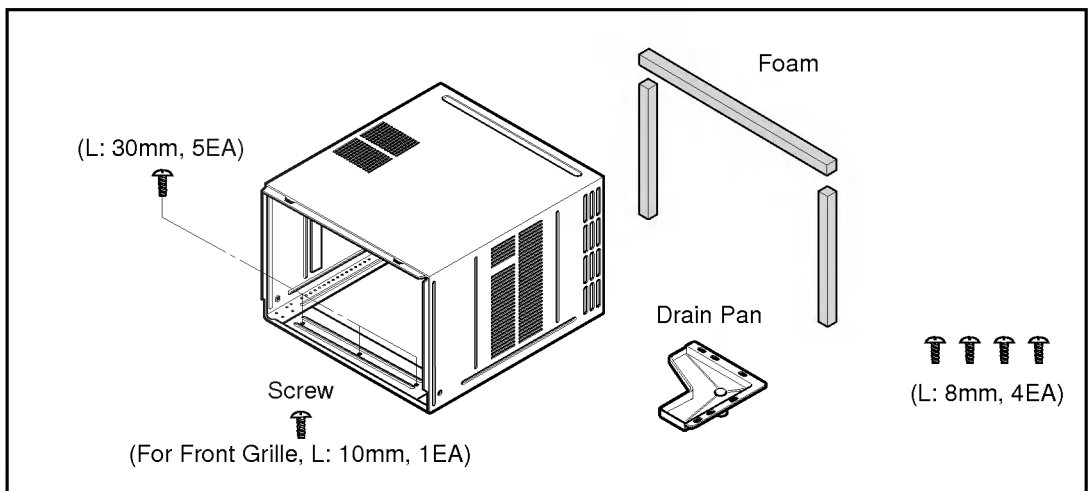
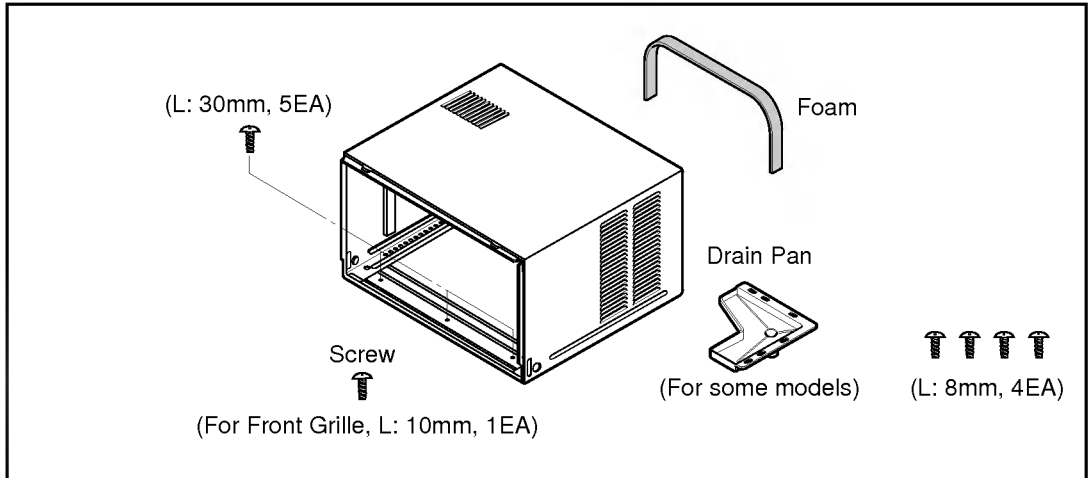
You can purchase the drain hose or tubing locally to satisfy your particular needs. (Drain hose is not supplied).

5. Select the most appropriate connection from among the following figures (by considering the hole of the unit) to fit drain pan to your own unit.



Installation Instructions

Installation Hardware



Note

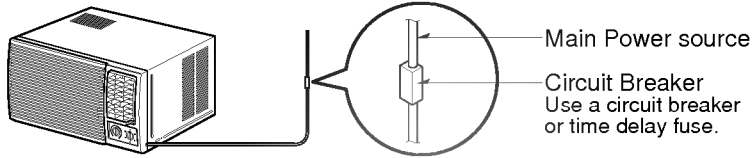
- The appliance is not intended for use by young children or infirm persons without supervision.
- Young children should be supervised to ensure that they do not play with the appliance.
- If the supply flexible cord is damaged, it must be replaced by the manufacturer or the manufacturer's service agent or similarly qualified person in order to avoid a hazard.

OPERATING TEMPERATURE

COOLING MODE			
INDOOR		OUTDOOR	
MAX.	MIN.	MAX.	MIN.
32°C	21°C	43°C	21°C
HEATING MODE			
INDOOR		OUTDOOR	
MAX.	MIN.	MAX.	MIN.
27°C	20°C	24°C	1°C

Read completely, then follow step-by step.

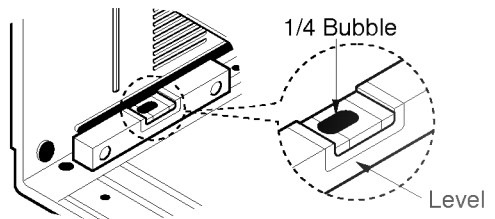
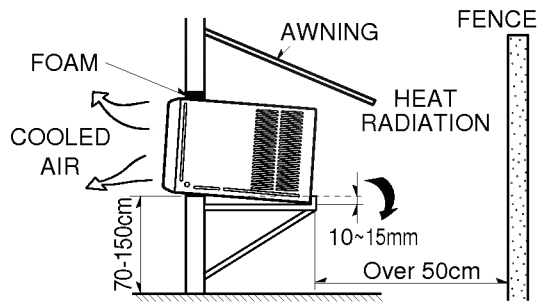
- The appliance shall be installed in accordance with national wiring regulation.
- If a power plug isn't to be used, provide a circuit breaker between power source and the unit, as following picture.



Select the Best Location

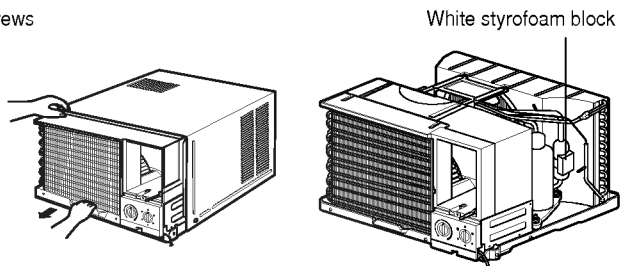
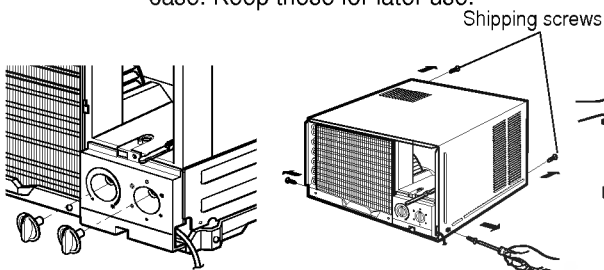
- 1 To prevent vibration and noise, make sure the unit is installed securely and firmly.
- 2 Install the unit where the sunlight does not shine directly on the unit.
- 3 There should be no obstacle, such as a fence or wall, within 50cm from the back of the cabinet because it will prevent heat radiation of the condenser. Restriction of outside air will greatly reduce the cooling efficiency of the air conditioner.
- 4 Install the unit a little obliquely outward not to leak the condensed water into the room (about 10 ~ 15mm or 1/4 bubble with level).

CAUTION: All side louvers of the cabinet must remain exposed to the outside of the structure.



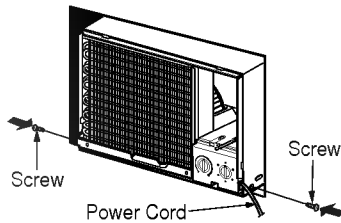
Remove the Air Conditioner From the Case

- 1 Before installing the room air conditioner, please install the knob, located in the accessory bag if it is not fixed on the product.
- 2 Remove the 2 shipping screws from the back of the case.
- 3 Remove the 2 screws on each side of the case. Keep these for later use.
- 4 Slide the air conditioner from the case by gripping the base pan handle and pulling forward while bracing the case.
- 5 Before installing the Air Conditioner back into the case, remove the white styrofoam shipping block from the compressor. (for some models)



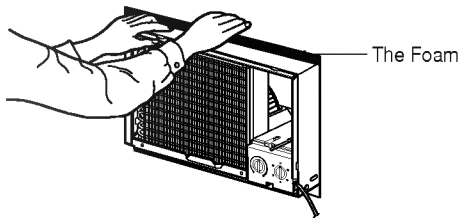
Install the Air Conditioner in the Case

- Slide the air conditioner into the case. Reinstall the 2 screws removed earlier on each side of the case.

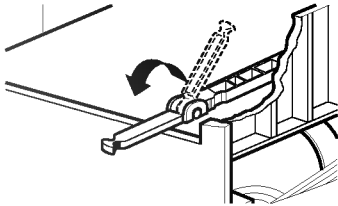


CAUTION: The power cord must be connected to an independent circuit. The green wire must be grounded.

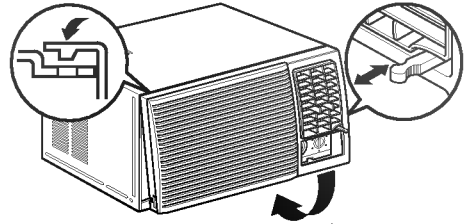
- Stuff the foam between the top of the unit and the wall to prevent air and insects from getting into the room.



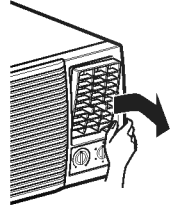
- Before installing the front grille, pull out the vent control lever located above the unit control knobs, as shown. (for some models)



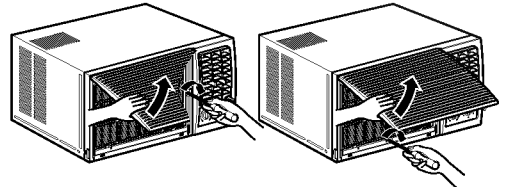
- Attach the front grille to the case by inserting the tabs on the grille into the slots on the front of the case. Push the grille in until it snaps into place.



When you detach the front grille from the case, push the grille to your right side and pull it toward you.

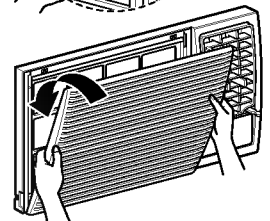
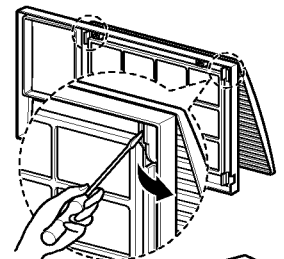


- Lift the inlet grille and secure the front grille with a screw (L:10mm). Lower the inlet grille into place.



Use the Reversible Inlet Grille

- If you want to pull out the filter upward, open the inlet grille slightly. Turn inside out the front grille. Disassemble the inlet grille from the front grille with separating the hinged part by inserting a "-" type screw-driver tip. Rotate the inlet grille 180 degrees and insert the hooks into the lower holes of front grille. Then, insert the filter
- If you want to pull out the filter downward, use the reversible inlet grille without change. (The grille is already assembled for that way.)



Before you call for service...

Troubleshooting Tips

Save time and money! Review the chart below first and you may not need to call for service.

Normal Operation

- You may hear a pinging noise caused by water being picked up and thrown against the condenser on rainy days or when the humidity is high. This design feature helps remove moisture and improve efficiency.
- You may hear the thermostat click when the compressor cycles on and off.
- Water will collect in the base pan during high humidity or on rainy days. The water may overflow and drip from the outdoor side of the unit.
- The fan may run even when the compressor does not.

Abnormal Operation

Air conditioner does not start	■ <i>The air conditioner is unplugged.</i>	• Make sure the air conditioner plug is pushed completely into the outlet.
	■ <i>The fuse is blown/circuit breaker is tripped.</i>	• Check the house fuse/circuit breaker box and replace the fuse or reset the breaker.
	■ <i>Power failure.</i>	• If power failure occurs, turn the mode control to OFF . When power is restored, wait 3 minutes to restart the air conditioner to prevent tripping of the compressor overload.
Air conditioner does not cool as it should	■ <i>Airflow is restricted.</i>	• Make sure there are no curtains, blinds, or furniture blocking the front of the air conditioner.
	■ <i>The THERMOSTAT may not be set high enough.</i>	• Turn the knob to a higher setting. The highest setting provides maximum cooling.
	■ <i>The air filter is dirty.</i>	• Clean the filter at least every 2 weeks. See the operating instructions section.
	■ <i>The room may have been hot.</i>	• When the air conditioner is first turned on you need to allow time for the room to cool down.
	■ <i>Cold air is escaping.</i>	• Check for open furnace floor registers and cold air returns. • Set the air conditioner's vent to the closed position.
Air conditioner freezing up	■ <i>Cooling coils have iced up.</i>	• See Air Conditioner Freezing Up below.
	■ <i>Ice blocks the air flow and stops the air conditioner from cooling the room.</i>	• Set the mode control at MED fan or HIGH cool with the thermostat at 1 or 2 .

