



# Vacuum Cleaner

## OWNER'S MANUAL

MODEL:V-2600DE

Please read carefully and thoroughly the operating instructions and safety precautions before installing and operating your vacuum cleaner.

P/No.: 3828Fi3413E

# IMPORTANT SAFEGUARDS

**When using an electrical appliance, basic precautions should always be followed, including the following:**

**READ ALL INSTRUCTIONS BEFORE USING THIS APPLIANCE**

**WARNING** – To reduce the risk of fire, electric shock, or injury:

1. Do not leave appliance when plugged in. Unplug from outlet when not in use and before servicing.
2. Do not use outdoors or on wet surfaces.
3. Do not allow to be used as a toy. Close attention is necessary when used by or near children.
4. Use only as described in this manual. Use only manufacturer's recommended attachments.
5. Do not use with damaged cord or plug. If appliance is not working as it should, has been dropped, damaged, left outdoors, or dropped into water, return it to a service center.
6. Do not pull or carry by cord, use cord as a handle, close a door on cord, or pull cord around sharp edges or corners. Do not run appliance over cord. Keep cord away from heated surfaces.
7. Do not unplug by pulling on cord. To unplug, grasp the plug, not the cord.
8. Do not handle plug or appliance with wet hands.
9. Do not put any object into openings. Do not use with any opening blocked; keep free of dust, lint, hair, and anything that may reduce air flow.
10. Keep hair, loose clothing, fingers, and all parts of body away from openings and moving parts.
11. Do not pick up anything that is burning or smoking, such as cigarettes, matches, or hot ashes.
12. Do not use without dust bag and/or filters in place.
13. Turn off all controls, before unplugging.
14. Use extra care when cleaning on stairs.
15. Do not use to pick up flammable or combustible liquids such as gasoline or use in areas where they may be present.
16. Hold plug when rewinding onto cord reel. Do not allow plug to whip when rewinding.

# SAVE THESE INSTRUCTIONS

THE SERIAL NUMBER IS FOUND ON THE BOTTOM OF THIS UNIT. THIS NUMBER IS UNIQUE TO THIS UNIT AND NOT AVAILABLE TO OTHERS. YOU SHOULD RECORD REQUESTED INFORMATION HERE AND RETAIN THIS GUIDE AS A PERMANENT RECORD OF YOUR PURCHASE.

DATE OF PURCHASE \_\_\_\_\_

DEALER PURCHASED FROM \_\_\_\_\_

DEALER ADDRESS \_\_\_\_\_

DEALER PHONE NO. \_\_\_\_\_

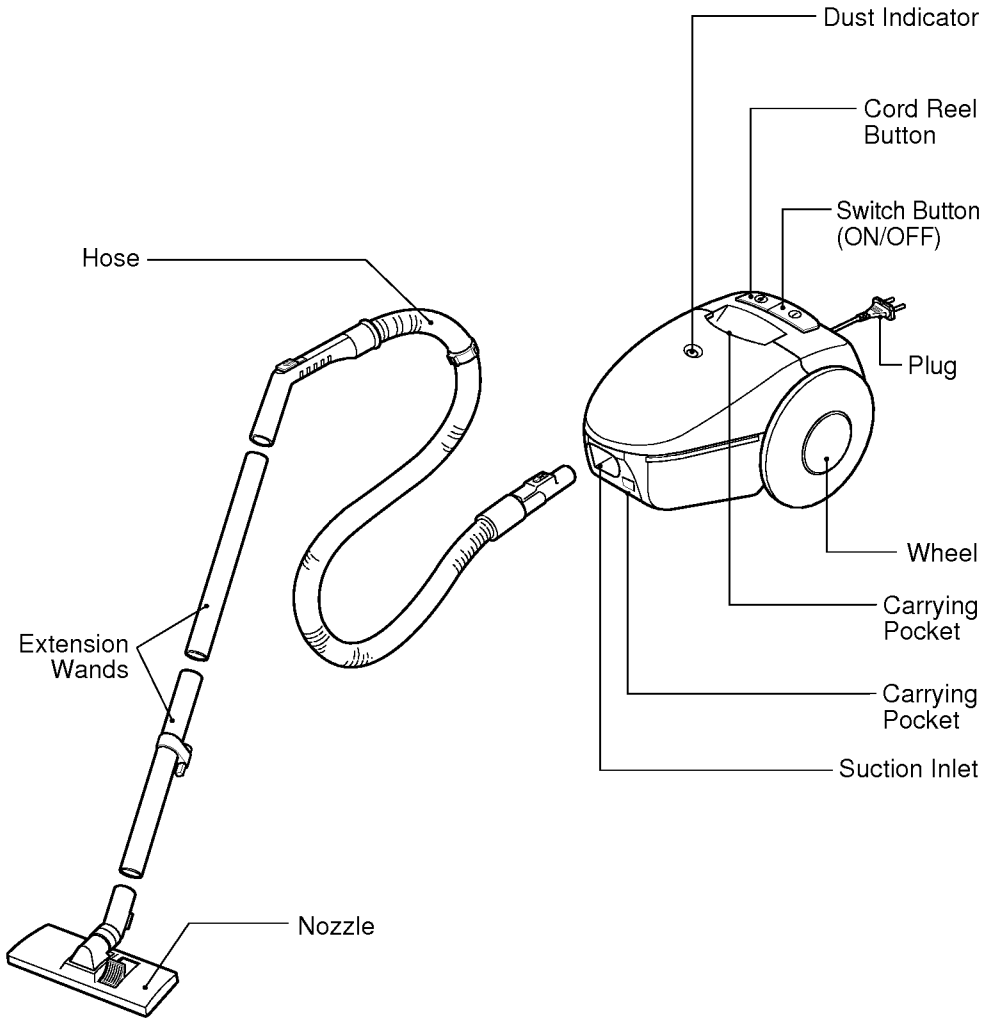
MODEL NO. \_\_\_\_\_

SERIAL NO. \_\_\_\_\_

## TABLE OF CONTENTS

FEATURES.....	4
INSTALLATIONS.....	5
OPERATING.....	6
BEFORE REQUESTING SERVICE.....	10
TROUBLE SHOOTING CHART.....	10
PRINTED CIRCUIT BOARD.....	12
SERVICE CENTER.....	12
SPECIFICATIONS.....	13

# FEATURES



## ■ ATTACHMENT

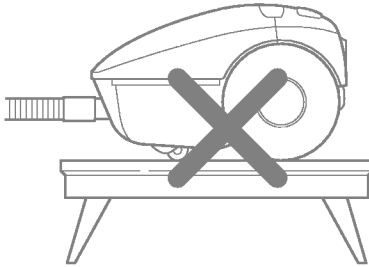


1. Crevice Tool: For places hard to clean carpet edges, corners, behind lounge cushions, interior of drawers, etc.

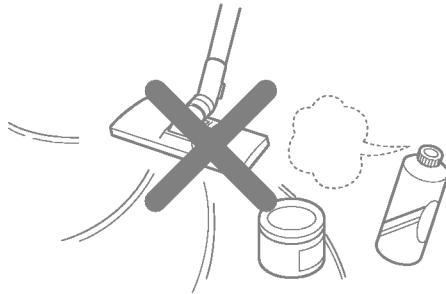
# INSTALLATIONS

**WARNING** – Disconnect electrical supply before servicing and/or cleaning the unit, otherwise electric shock could occur and/or cleaner could suddenly start.

1. Electric shock could occur if used outdoors or on wet surfaces.
2. Keep children away from the vacuum cleaner at all times. Injury could result from inhalation.
3. Never leave a vacuum cleaner plugged in and unattended near children.
4. The cord moves rapidly when rewinding. Keep children away, provide a clear path and hold plug when rewinding the cord to avoid personal injury.
5. Always unplug the power cord by pulling the plug; not the cord.
6. Always turn off the vacuum cleaner before unplugging.
7. Always unplug your vacuum cleaner whenever you leave it for more than a moment or when not in use.
8. Always check the dust bag after vacuuming carpet. Fine soot and dust can clog the air filter or bag, reduce the airflow and cause the bag to burst. Failure to clean could cause permanent damage to the vacuum cleaner.
9. Keep cleaner on floor-not on chairs, tables, etc. Care must be taken when cleaning stairs.

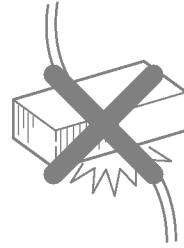


10. Never vacuum cigarette butts or fire-place ashes. Never use cleaner where flammable vapors from cleaning fluids, perfumes etc., are present. This could cause a fire.



11. Store vacuum cleaner in a cool, clean and dry place.

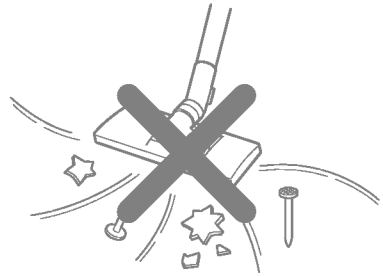
12. Never place sharp or heavy objects on the power cord. Shock or fire hazard could occur.



13. Never operate with a damaged cord or plug.

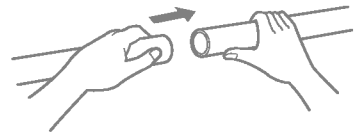
14. Never use the cleaner to pick up sharp hard objects, small toys, pins, paper, etc. They may damage the cleaner or dust bag.

15. Use this vacuum cleaner only for those normal jobs that a home vacuum cleaner is usually used.

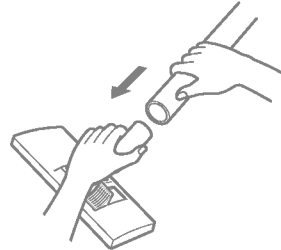


## OPNTENTS

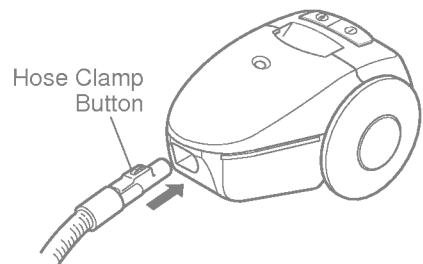
1. Insert the end of wand into the other one for connecting the wands.



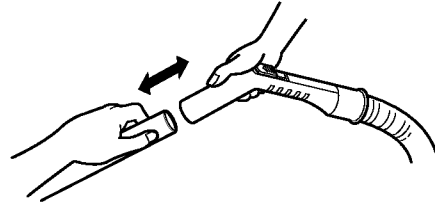
2. Insert the extension wand into the nozzle.



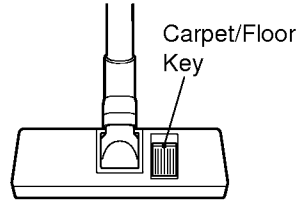
3. Insert the end of the hose into the canister pressing the hose clamp button until it snaps. (To remove, press the hose clamp button and pull out.)



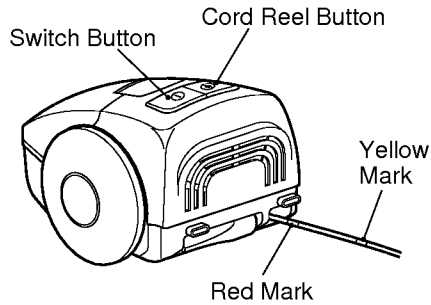
4. Insert the wand into the other side of the hose.



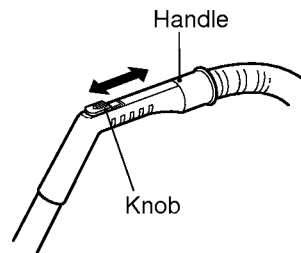
5. Press the carpet key " ——— " for cleaning the carpet. If you want to clean floor, press the floor key marked " ——— ".



6. Pull out the cord from the back of the cleaner and plug cord into outlet located near the wall.
- Do not pull out the cord beyond the red mark.
  - Pulling the cord out past the red mark may cause problems with the cord reel.
  - When cleaning is completed, unplug cord from wall outlet and depress the cord reel button. The cord will automatically rewind.

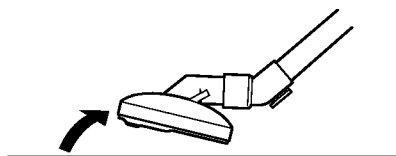


7. Press the switch button. (ON/OFF SWITCH)

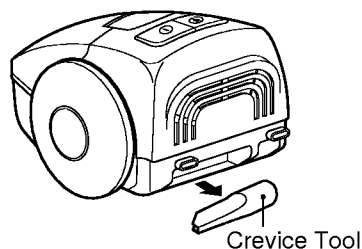


8. When you want the proper vacuum power for curtains and clothes, slide the knob on the handle to control the vacuum power.

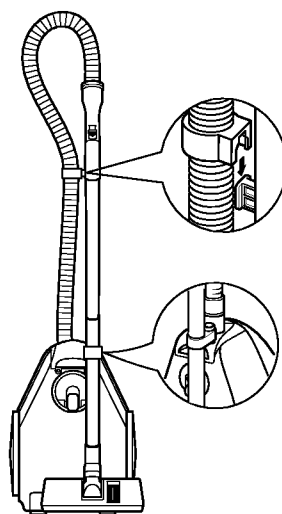
9. Pass the nozzle lightly over the floor.  
Do not exert excessive pressure on the floor nozzle, as this may damage the floor, particularly parquet floors. Best results will be obtained by applying only light pressure to the nozzle. If the nozzle feels sluggish, raise the front end slightly to decrease the suction power as shown in the illustration.



10. To use the attachment, pull out the attachment at the rear.

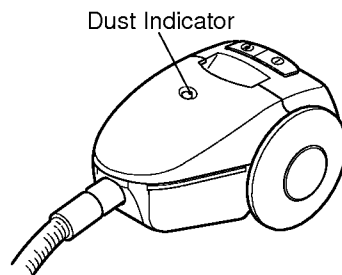


11. When not in use, attach the holder of pipe to the body hole while the body is in upright position.



12. The dust indicator shows the amount of dust that has collected in the dust bag. The way to check the dust indicator is as follows.

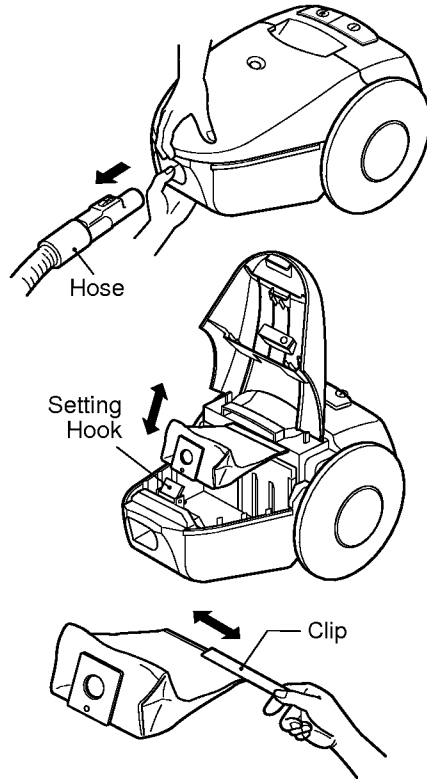
- Look at the dust indicator after separating the nozzle 10cm from the floor.
- If the sign is red, bag is full. Clean the cloth filter bag.
- If the sign isn't red, continue to use.





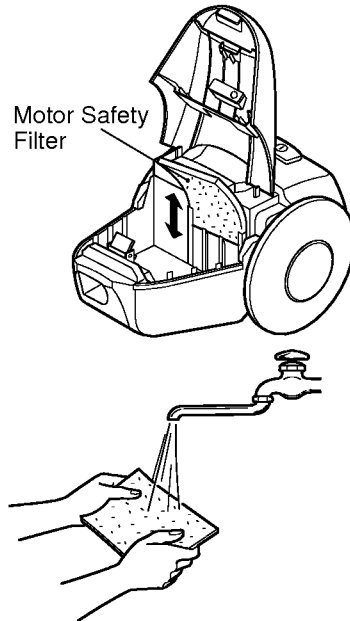
13. How to clean the cloth filter bag.

- Unplug cord from wall outlet.
- Pull out the hose from the cleaner in the direction of the arrow and open lid by lifting the front of lid as shown.
- Pull out the used cloth filter bag by unfastening setting Hook.
- To empty the cloth filter bag, simply slide the bag clip off and empty the dirt.
- Refit the clip into the cloth filter bag.
- Never fail to fit cloth filter bag with the clip.



14. How to clean motor safety filter.

- Check motor safety filter occasionally and clean when dirty.
- Unplug cord from outlet.
- Grasp hose and open lid by lifting.
- Remove filter, wash it in warm soapy water, rinse and then dry in the shade. Do not wash it in dishwasher or washing machine.
- Push down to slide filter into place.
- Close lid.



## BEFORE REQUESTING SERVICE

Proper assembly and safe use of your vacuum cleaner are your personal responsibilities. Read this "Owner's Manual" carefully for important use and safety information.

## TROUBLE SHOOTING CHART

Review this chart to find do-it-yourself solutions for minor performance problems

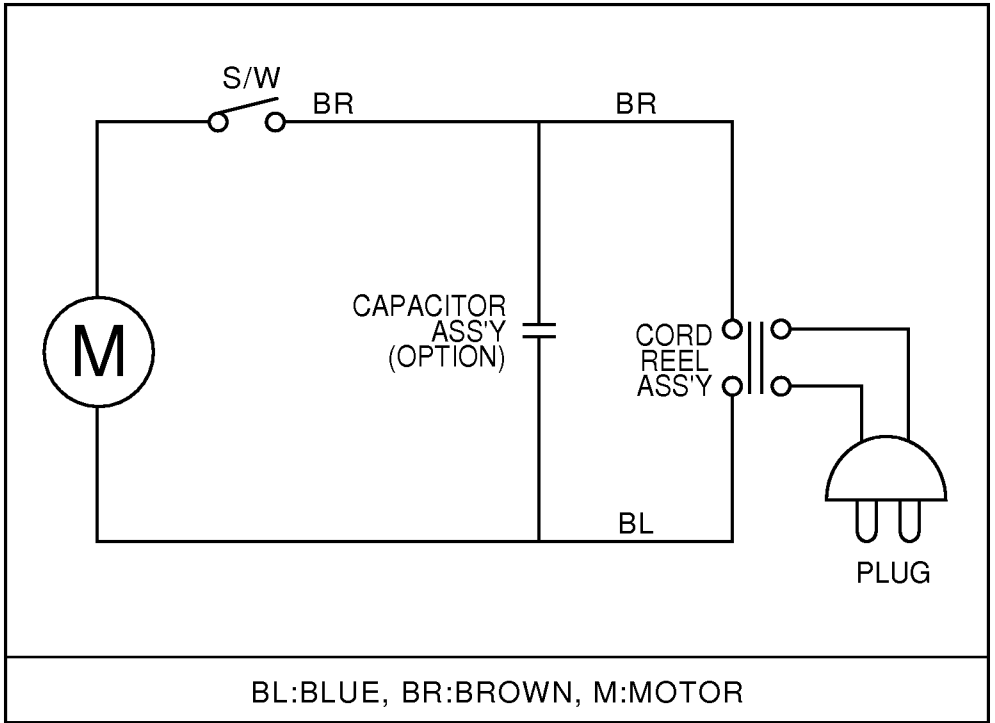
**WARNING** – Disconnect electrical supply before servicing and/or cleaning the unit. If not, electric shock could occur and/or cleaner could suddenly start.

Problem	Possible Cause	Possible Solution
Cleaner won't run.	<ol style="list-style-type: none"> <li>1. Unplugged at wall outlet.</li> <li>2. Push switch is not in "ON" position.</li> <li>3. No voltage in wall outlet.</li> </ol>	<ol style="list-style-type: none"> <li>1. Plug in firmly; push switch button.</li> <li>2. Push switch button.</li> <li>3. Check fuse or breaker.</li> </ol>
Cleaner suction low.	<ol style="list-style-type: none"> <li>1. Full or clogged dust bag or airflow blockage.</li> <li>2. Hole in hose</li> <li>3. Clogged nozzle.</li> <li>4. Lid open.</li> <li>5. Hose is not properly connected to cleaner.</li> <li>6. The knob on the handle is opened.</li> </ol>	<ol style="list-style-type: none"> <li>1. Clean the cloth filter bag or check the airflow passage.</li> <li>2. Replace hose.</li> <li>3. Clean the airflow passage of nozzle.</li> <li>4. Close lid.</li> <li>5. Ensure hose is properly connected.</li> <li>6. Close the knob by sliding it.</li> </ol>

# POSSIBLE SVC PARTS LIST

DESCRIPTION	PART NUMBER	REMARK
BASE, BODY	3040Fi1039A	
FRAME, CASTER	3i20036E	
COVER, FRONT	3550Fi1106A	
PACKING, MOTOR MOUNTING	3920Fi3675B	
PACKING, SEAL	3920Fi4296B	
HOOK, FILTER SETTING	4480Fi3380A	
CASTER, BASE	4i20014E	
WHEEL	4660Fi1104A	
MOTOR ASSY, VC	4681Fi2373J	127V~60Hz
	4681Fi2373B	220V~50/60Hz
CORD REEL ASSY	6411Fi1037P	127V~60Hz
	6411Fi1037G	220V~50/60Hz
FILTER(MECH), MOTOR SAFETY	4i70098A	
FILTER ASSY, CLOTH	5231Fi2024E	
CAPACITOR ASSY	6121Fi4311D	
BODY	3070Fi1021D	
SPRING, BUTTON	4i20056A	
BUTTON	5020Fi2137C	
BUTTON	5020Fi2115C	
FILTER(MECH), EXHAUST	5230Fi4348A	
SWITCH ASSY, PUSH	6601Fi3149B	
INDICATOR ASSY	3i23019J	
COVER, FILTER	3550Fi1108D	
COVER, INDICATOR	3550Fi3390A	
SEAL, INDICATOR	4036Fi4074A	
COVER, PIPE	3162Fi2130A	
HOOK, FITTING	3i23013G	
KNOB, SLIDE	4940Fi4292D	
PIPE	5200Fi2179C	
HOSE ASSY, FLEXIBLE	5214Fi2163C	
NOZZLE ASSY, FLOOR	5249Fi2182A	
TOOL, CREVICE	3i21007L	
PIPE ASSY, STEEL	5201Fi2180F	

## PRINTED CIRCUIT BOARD

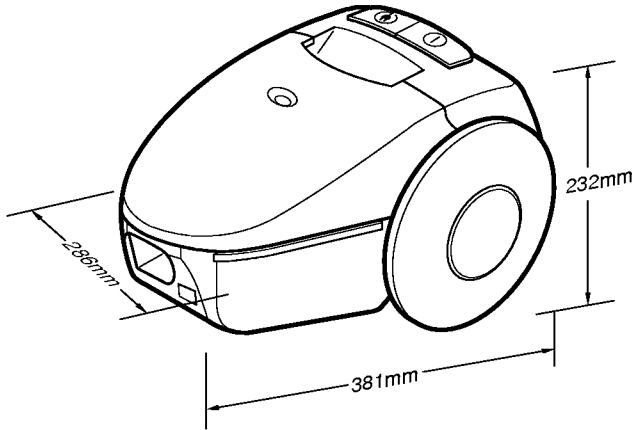


## SERVICE CENTER

For service, please contact our authorized service center listed below.

Area	Telephone Number	Fax. Number
Jeddah	(02)629-2929 ext. 310	(02)629-1121
Jeddah	(02)663-2325 ext. 343	(02)665-2837
Riyadh	(01)461-5559	(01)463-3126
Al-Khobar	(03)857-2929	(03)857-7643

# SPECIFICATIONS



- POWER SOURCE: ON RATING PLATE
- CAPACITY: 2.6 l
- CORD LENGTH: 5 m
- NET WEIGHT: 4.0 kg
- NET DIMENSIONS: 286×381×232mm(W×D×H)
- PACKING DIMENSIONS: 338×450×393mm (W×D×H)
- ATTACHMENTS
 

HOSE .....	1 EA
EXTENSION WAND .....	2 EA
CLOTH FILTER BAG .....	1 EA
GREVICE TOOL .....	1 EA
- These specifications are subject to change according to the agent/buyer's request.

## Serial Number

How to read Serial Number.

: There is attached a Serial Number label on back side of this product.

