



CD/RADIO CASSETTE RECORDER

Owner's Manual

MODEL : CD-321A (AM/FM)

Please read this manual carefully before operating your set. Retain it for future reference.

Designs and specifications are subject to change without notice for improvement.



P/NO : 3828SNA042H

Safety Instructions

CAUTION:

- Read all of these instructions.
- Save these instructions for later use.
- Follow all warnings and instructions marked on the audio equipment.

- **Read Instructions** - All the safety and operating instructions should be read before the product is operated.
- **Retain Instructions** - The safety and operating instructions should be retained for future reference.
- **Heed Warnings** - All warnings on the product and in the operating instructions should be adhered to.
- **Follow Instructions** - All operating and use instructions should be followed.
- **Cleaning** - Unplug this product from the wall outlet before cleaning. Do not use liquid cleaners or aerosol cleaners. Use a damp cloth for cleaning.
- **Attachments** - Do not use attachments not recommended by the product manufacturer as they may cause hazards.
- **Water and Moisture** - Do not use this product near water - for example, near a bath tub, wash bowl, kitchen sink, or laundry tub; in a wet basement; or near a swimming pool; and the like.
- **Accessories** - Do not place this product on an unstable cart, stand, tripod, bracket, or table. The product may fail, causing serious injury to a child or adult, and serious damage to the product. Use only with a cart, stand, tripod, bracket, or table recommended by the manufacturer, or sold with the product. Any mounting of the product should follow the manufacturer's instructions, and should use a mounting accessory recommended by the manufacturer.
- **Ventilation** - Slots and openings in the cabinet are provided for ventilation and to ensure reliable operation of the product and to protect it from overheating, and these openings must not be blocked or covered. The openings should never be blocked by placing the product on a bed, sofa, rug, or other similar surface. This product should not be placed in a built-in installation such as a bookcase or rack unless proper ventilation is provided or the manufacturer's instructions have been adhered to.
- **Power Sources** - This product should be operated only from the type of power source indicated on the marking label. If you are not sure of the type of power supply to your home, consult your product dealer or local power company. For products intended to operate from battery power, or other sources, refer to the operating instructions.
- **Grounding or Polarization** - This product may be equipped with a polarized alternating-current line plug (a plug having one blade wider than the other). This plug will fit into the power outlet only one way. This is a safety feature. If you are unable to insert the plug fully into the outlet, try reversing the plug. If the plug should still fail to fit, contact your electrician to replace your obsolete outlet. Do not defeat the safety purpose of the polarized plug.
- **Lightning** - For added protection for this product during a lightning storm, or when it is left unattended and unused for long periods of time, unplug it from the wall outlet and disconnect the antenna or cable system. This will prevent damage to the product due to lightning and power-line surges.
- **Power-Cord Protection** - Power-supply cords should be routed so that they are not likely to be walked on or pinched by items placed upon or against them, paying particular attention to cords at plugs, convenience receptacles, and the point where they exit from the product.
- **Power Lines** - An outside antenna system should not be located in the vicinity of overhead power lines or other electric light or power circuits, or where it can fall into such power lines or circuits. When installing an outside antenna system, extreme care should be taken to keep from touching such power lines or circuits as contact with them

- might be fatal.
- **Overloading** - Do not overload wall outlets, extension cords, or integral convenience receptacles as this can result in a risk of fire or electric shock.
- **Object and Liquid Entry** - Never push objects of any kind into this product through openings as they may touch dangerous voltage points or short-out parts that could result in a fire or electric shock. Never spill liquid of any kind on the product.
- **Servicing** - Do not attempt to service this product yourself as opening or removing covers may expose you to dangerous voltage or other hazards. Refer all servicing to qualified service personnel.
- **Damage Requiring Service** - Unplug this product from the wall outlet and refer servicing to qualified service personnel under the following conditions:
 - a) When the power-supply cord or plug is damaged.
 - b) If liquid has been spilled, or objects have fallen into the product.
 - c) If the product has been exposed to rain or water.
 - d) If the product does not operate normally by following the operating instructions. Adjust only those controls that are covered by the operating instructions as an improper adjustment of other controls may result in damage and will often require extensive work by a qualified technician to restore the product to its normal operation.
 - e) If the product has been dropped or damaged in any way.
 - f) When the product exhibits a distinct change in performance-this indicates a need for service.
- **Replacement Parts** - When replacement parts are required, be sure the service technician has used replacement parts specified by the manufacturer or have the same characteristics as the original parts. Unauthorized substitutions may result in fire, electric shock, or other hazards.
- **Safety Check** - Upon completion of any service or repairs to this product, ask the service technician to perform safety checks to determine that the product is in proper operating condition.
- **Heat** - The product should be situated away from heat sources such as radiators, heat registers, stoves, or other products (including amplifiers) that produce heat.

Note
This equipment has been tested and found to comply with the limits for a Class B digital device, pursuant to Part 15 of the FCC Rules. These limits are designed to provide reasonable protection against harmful interference in a residential installation. This equipment generates, uses, and can radiate radio frequency energy and, if not installed and used in accordance with the instructions, may cause harmful interference to radio communications. However, there is no guarantee that interference will not occur in a particular installation. If this equipment does cause harmful interference to radio or television reception, which can be determined by turning the equipment off and on, the user is encouraged to try to correct the interference by one or more of the following measures:

- Reorient or relocate the receiving antenna.
- Increase the separation between the equipment and receiver.
- Connect the equipment into an outlet on a circuit different from that to which the receiver is connected.
- Consult the dealer or an experienced radio/TV technician for help.

WARNING

To avoid electrical shock; do not open the cabinet. Refer servicing to qualified personnel only.
Shock Hazard - do not open.

CAUTION

Use of controls or adjustments or performance of procedures other than those specified herein may result in hazardous radiation exposure.

This class B digital apparatus meets all requirements of the Canadian Interference - Causing Equipment Regulations.

For the customers in Europe

Laser component in this product is capable of emitting radiation exceeding the limit for Class 1.

CLASS 1 LASER PRODUCT
KLASSE 1 LASER PRODUKT
LUOKAN 1 LASER LAITE
KLASS 1 LASER APPARAT
CLASSE 1 PRODUIT LASER

This Compact Disc player is classified as a CLASS 1 LASER product. The CLASS 1 LASER PRODUCT label is located on the exterior.

CAUTION: INVISIBLE LASER RADIATION WHEN OPEN AND INTERLOCKS DEFEATED. AVOID EXPOSURE TO BEAM.
VARNING: OSYNLIG LASERSTRÅLING NÄR DENNA DEL ÄR ÖPPNAD. STRÅLEN ÄR FARLIG.
ATTENTION: Quand l'appareil est ouvert, ne pas s'exposer aux radiations invisibles du faisceau laser.

This label is located on the interior.

The power switch of this unit is secondly mounted and does not disconnect the whole unit from the mains supply in the OFF position.

This product is conformed to EMC regulation 89/336/EEC and is therefore marked with the CE-label.

Notice for customers in the United Kingdom

WIRING INSTRUCTIONS

This appliance is supplied with a BS1363 approved 3 amp fused mains plug. When replacing the fuse always use a 3 amp BS1362 approved type. Never use this plug with the fuse cover omitted. To obtain a replacement fuse cover contact your supplying dealer or "LG Electronics U.K. Ltd."

If the mains sockets in your home differ, or are not suitable for the type of plug supplied, then the plug should be removed and a suitable type fitted. Please refer to the wiring instructions below :

Warning: The mains plug severed from the mains lead of this appliance must be destroyed. A mains plug with bared wires is hazardous if engaged in a mains output line socket.

IMPORTANT

The wires in this mains lead are coloured in accordance with the following codes:

Blue	:	Neutral
Brown	:	Live

As the colours of the wires in the mains lead of this appliance may not correspond with the coloured markings identifying the terminals in your plug, proceed as follows:

The wire which is coloured brown must be connected to the terminal which is marked with the letter L or coloured red.

The wire which is coloured blue must be connected to the terminal which is marked with the letter N or coloured black. If a 3 amp BS1363 plug or any other type of plug is used, a 3 amp BS1362 approved fuse must be fitted either in the plug or at the distribution board.

Warning: do not connect either wire to the earth pin, marked with the letter E or with the earth symbol ↓ or coloured green or green and yellow.

Specifications

• RADIO SECTION

Frequency range
AM.....520~1620kHz or
520~1700kHz(USA)
FM.....87.5~108MHz

Intermediate frequencies
AM.....455kHz
FM.....10.7MHz

Antenna
AM.....Ferrite bar antenna
FM.....Telescopic antenna

• CASSETTE SECTION

Recording system.....4 tracks 2 channel stereo
Frequency response.....125~8000Hz
S/N ratio.....40/45dB(rec/play)

• CD PLAYER SECTION

Frequency response.....100~18000Hz
S/N ratio.....60dB(1kHz)

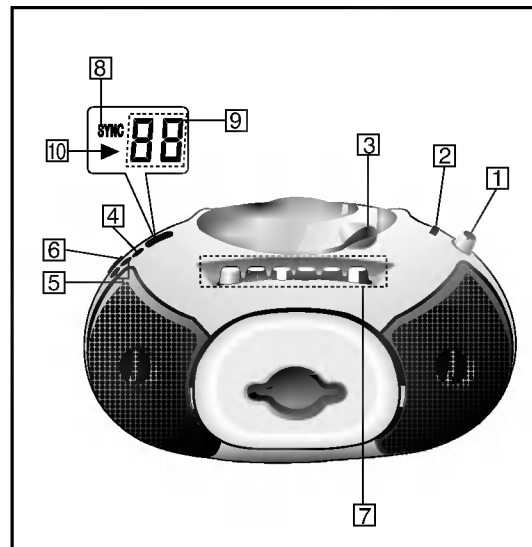
• GENERAL

Speakers.....8Ω x 2
Out power(10%T.H.D.).....0.8W x 2
AC operation.....Refer to the indicated voltage on the bottom of set
Battery operation.....DC 9V, si x "C"(R14) batteries(not supplied)
Power consumption.....10W
Dimensions(W x D x H).....330 x 215 x 172mm
Weight.....2.05kg

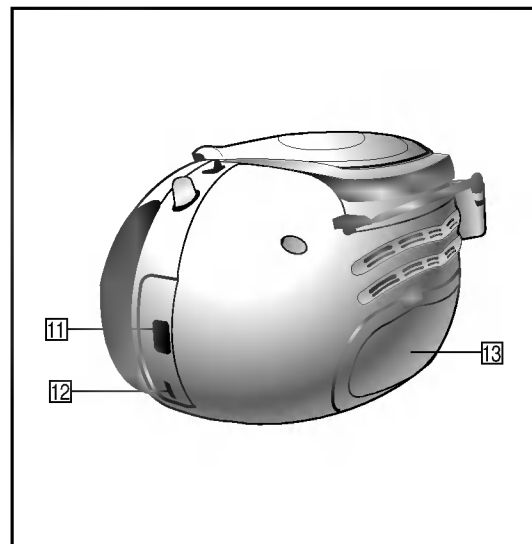
NOTE:

Design and specifications are subject to change without notice for improvement.

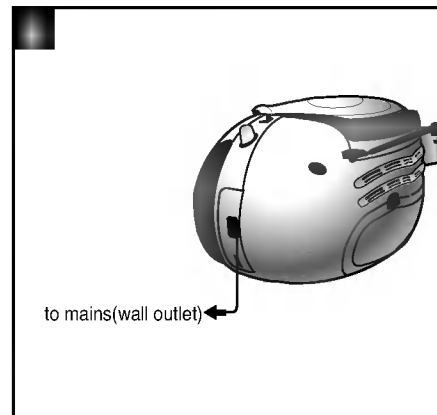
Location of Controls



- 1 VOLUME Control
- 2 FUNCTION Switch
- 3 LIFTING section
- 4 CD PLAY/PAUSE/STOP button
(▶/||/■)
- 5 CD SKIP/SEARCH buttons
(◀/◀◀, ▶▶/▶▶)
- 6 TUNING dial
- 7 Deck controls
- 8 CD SYNC indicator
- 9 CD TRACK indicator
- 10 CD Play indicator
- 11 AC Power input socket
- 12 Voltage Selector (optional)
- 13 Battery compartment



Power Source



The AC Power cord Connection

Set(see fig. ■)

1. Before connecting the AC power cord, check that the operating voltage of your set is identical with the voltage of your local power supplied.
2. Connect one end of the AC power cord(supplied) to the AC IN socket located at the backside of your set.
3. Plug the other end into the wall outlet.

※ Unplug the AC power cord from the wall outlet if you do not to use for an extended period of time.

Adjusting the voltage(optional)

If your set is equipped with a voltage selector at the back side, be sure to set it to your local power supplied before connecting the AC power cord.

Battery Installation

Set(see fig. ■)

1. Press open the battery cover.
2. Put six "C"(R14) batteries(not supplied) into the compartment making sure the + and - are correctly positioned.
3. Replace the cover.

NOTE:

1. To avoid damage from possible battery leakage, remove the batteries if you do not plan to use the set for an extended period of time.
2. When the batteries are weak, replace all the batteries with new ones.
3. During the AC power cord connect to the wall outlet, the batteries are not worn out.

Sound Adjustment

VOLUME:

Turn **VOLUME** clockwise to increase the sound level, or anti-clockwise to decrease it.

Radio Operation

1. Set **FUNCTION** to **AM** or **FM**.
2. Tune in a station using **TUNING** dial.
3. Set **FUNCTION** to **TAPE(OFF)** to turn off your set.

NOTE:

- Adjust the antenna to get more clear reception.
1. **AM:** The antenna is built within the set and rotate the set for better reception.
 2. **FM:** Pull the telescopic antenna out and adjust the angle and direction for better reception.

Cassette Operation

1. Set **FUNCTION** to **TAPE**.
2. Open the cassette door by pressing ■/▲ **ST/EJ**.
3. Insert a cassette and push close the door.
4. Press **PLAY(▶)** to playback.
5. Press **PAUSE(||)** to pause. Press **PAUSE** again to resume play.
6. Press **FF(▶▶)** or **REW(◀◀)** to fast forward or rewind the tape.
Your cassette deck doesn't automatically stop at the end of the tape while fast forward or rewind the tape.
Press ■/▲ **ST/EJ** to stop fast forward or rewind the tape.
7. Press ■/▲ **ST/EJ** to stop play. Your cassette deck will automatically stop at the end of the tape.

CD Operation

To Play a CD

1. Set **FUNCTION** to **CD**.
2. Lift **LIFTING** section to open the disc compartment.
3. Load a disc with the printed side facing up.
4. Close the disc compartment. The display will show the total number of tracks.
5. Press **PLAY/PAUSE(▶/||)** to begin play. The track number will be shown in the display.
6. Press **PLAY/PAUSE(▶/||)** to pause.
When a track is paused ▶ will flash in the display.
7. Press **PLAY/PAUSE(▶/||)** again to resume play.
8. How to search for a particular section of music on the track that is playing:
Press and hold **SKIP/SEARCH** ◀◀/◀◀ or ▶▶/▶▶ to search backwards or forwards, you will be able to faintly hear the track being played at high speed.
9. How to search for a particular track on the current disc:
Press **SKIP/SEARCH** ◀◀/◀◀ or ▶▶/▶▶ to search for a particular track. After each press of this buttons the new track number will be shown in the display.
10. Press **STOP(■)** for 2 seconds to stop playing a disc.

NOTE:

1. Do not open the disc compartment while playing. If you do you may damage the disc and your set.
2. Do not tilt or move your set with discs loaded. If you do you may damage the discs and your set.
3. Do not touch the playing side of CD; the side without any printing on it.
4. Clean your CD from the middle outwards with a soft lint free cloth.

Recording Operation

NOTE:

1. Recording levels have been preset at the factory under optimum conditions and cannot be changed.
2. Your set can record onto Normal ;
CrO2 tapes and metal tapes cannot be used.

Basic Recording

1. Set **FUNCTION** to one which you wish to record from.
2. Insert a blank cassette.
3. Press **REC●**. **PLAY▶** goes down automatically. (Press **REC●** and **PLAY▶** at the same time for more easily operating)
4. Start playing your CD or RADIO.
5. Press ■/▲ **ST/EJ** to finish recording. Your cassette deck will automatically stop at the end of the tape.

CD Synchro Recording

This feature automatically records an entire CD onto a cassette.

1. Load a disc and set **FUNCTION** to **CD**.
2. Insert a blank cassette .
3. Press **REC●**. **PLAY▶** goes down automatically. When recording from a CD, the disc will start playing after about 7 seconds.
4. Press ■/▲ **ST/EJ** to finish recording and press **STOP(■)** for 2 seconds to stop playing a disc.