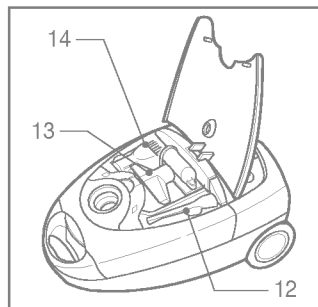
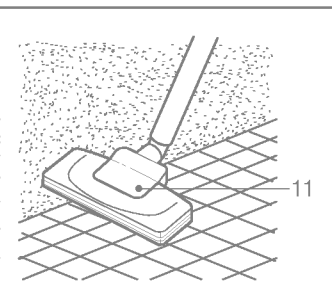
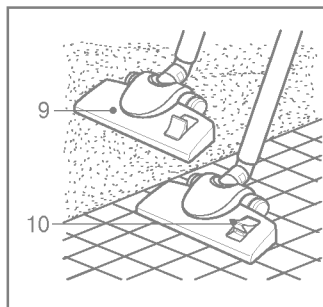
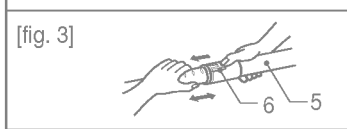
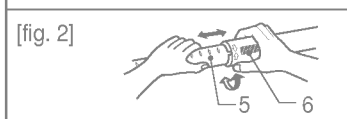
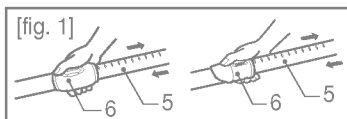
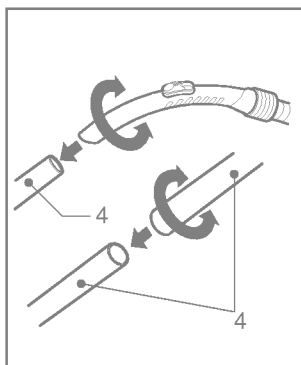
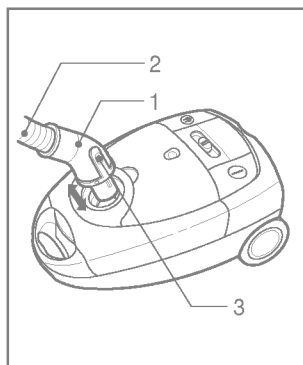
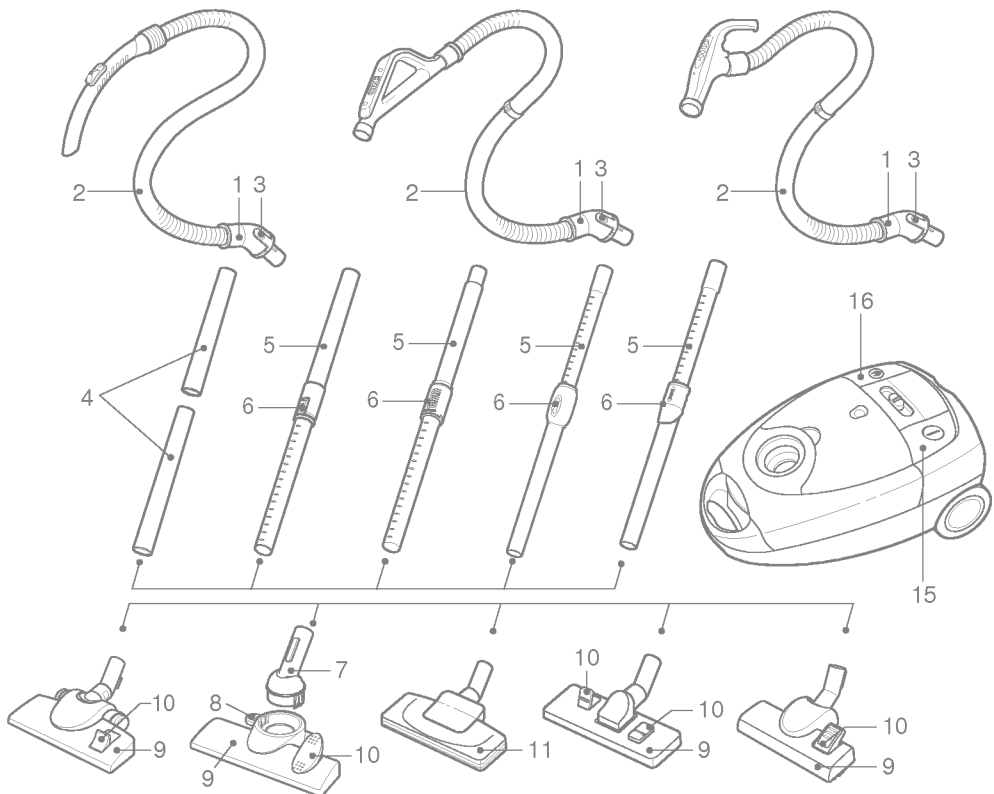
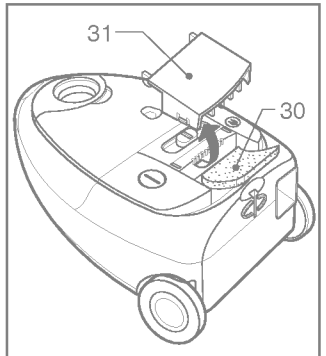
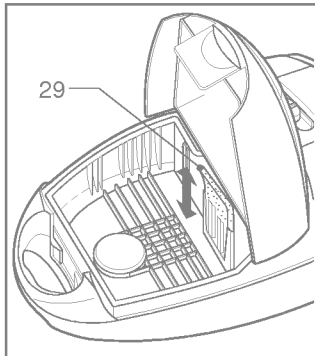
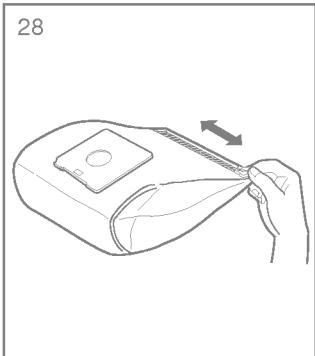
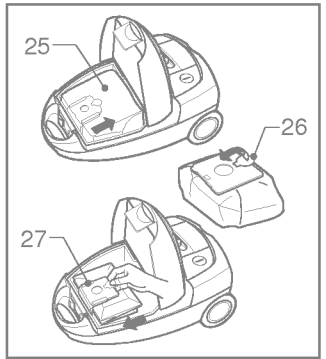
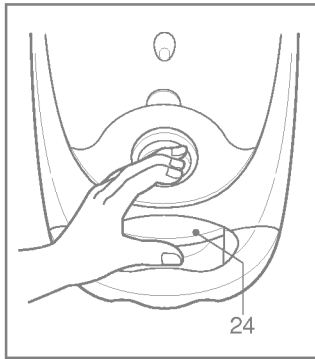
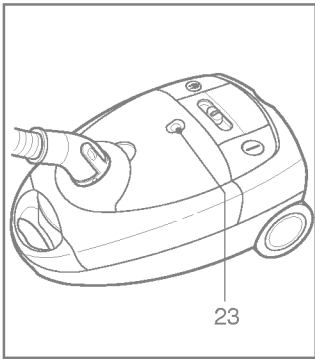
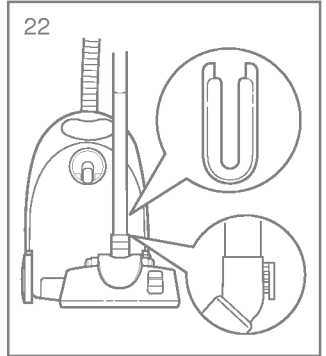
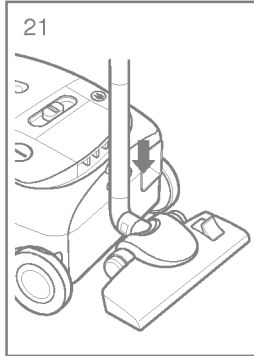
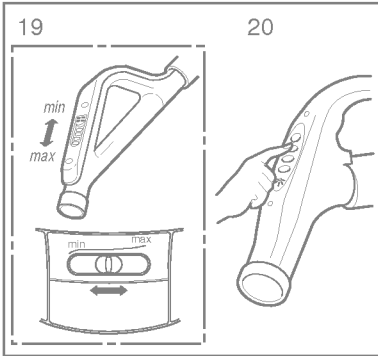
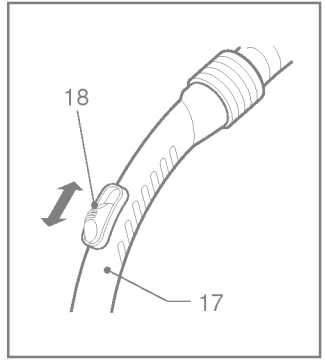
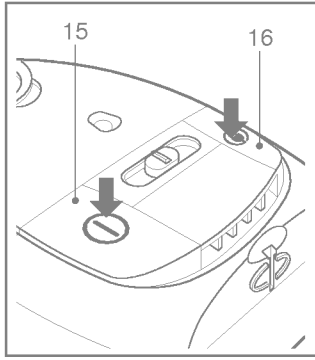
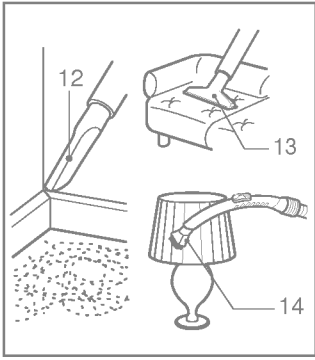


V-4300D/T/HT/CT  
V-4350D/T/HT/CT  
V-C4360D/T/HT/CT  
V-4300DV/TV/HTV/CTV  
V-4350DV/TV/HTV/CTV  
V-C4360DV/TV/HTV/CTV  
V-4600HTV/V-4300ST/V-4360TV  
V-C4360ST\*\*







**automatic cleaning head(11) without pedal, it automatically adapts to the type of floor to be cleaned.**

• **Crevice Tool(12)**

For vacuuming in those normally inaccessible places i.e. reaching cobwebs, or down the side of a sofa!

• **Upholstery Nozzle(13)**

For vacuuming upholstery, mattresses, etc. The thread collectors help to pick up the threads and fluff.

• **Dusting brush(14)**

For vacuuming picture frames furniture outlines, books and other uneven objects.

**How to plug in and use**

Pull out the mains lead to the desired length and plug into the socket.

Press button (15) to start the vacuum cleaner. To stop it press the button (15) again.

**Adjusting the power level**

(depending on model)

• The flexible hose handle(17) has a manual air flow regulator(18) which allows you to briefly reduce the suction level.

• **Electronic power control(19)**

Suction capacity increases steplessly up to MAX.

• **Electronic power control(20)**

OFF: Power off MIN: Low power MAX: Full power.

**AUTO:** Suction capacity will change automatically according to the quantity of surface dust.

**Park-System(21)**

For short breaks during vacuuming, for example to move a small piece of furniture or a rug, use the 「Park system」to support the flexible hose and cleaning head.

• Slide the hook attached to the large cleaning tool into the slot on the rear of the appliance.

**Carrying and storage(22)**

When you have switched off and unplugged the appliance, press on the button (16) to automatically rewind the cord.

You can move or store your appliance in a vertical position by sliding the hook on the large cleaning head into the clip on the underside of the appliance.

**Changing the dust bag**

The dustbag needs changing when the cleaner is set to maximum power and the cleaner head is off the floor but the "bag full" indicator window(23) is completely coloured red.

Even if the dustbag does not appear to be full at this stage, it should be changed.

It could be that a great deal of very fine dust has clogged up the pores of the dust bag.

• Turn off the appliance and unplug it.  
• Open the cover by pressing the hook(24)

and lifting it up until it snaps into place.

Your appliance is equipped with either a paper dust bag or a fabric dust bag (25) (depending on model)

• Take hold of the dust bag by the handle and pull. Seal bag using the flap(26) on bag cardboard. Remove the bag and throw it away.

• To refit a new bag push the cardboard support of a new bag into the bag mount (27)until it will go no further.

**If your appliance is fitted with a fabric dust bag** follow the same instructions as above.

Empty it and replace it(28). Do not wash it.

**Note:** as the appliance is fitted with a safety device which checks that the bag is in place you cannot close the lid if the bag is not fitted correctly.

**Cleaning the motor filter**

The motor filter is situated inside the appliance between the dust bag and the motor. Each time that you change the air outlet filter we advise you to remove the motor filter(29)and to clean it by tapping to remove the dirt and then replacing it in the vacuum cleaner.

**Changing the air outlet filters**

Depending on the model you have chosen your appliance is equipped with different types of filters : foam filter or electrostatic filter or anti-odour charcoal filter(30).

• To change these filters remove the cover of the filter compartment(31) situated at the rear of the appliance, by lifting the little catch.

• **The foam filter**, should be cleaned regularly by tapping it to remove the dirt.

• **The electrostatic filter or anti-odor charcoal filter** should be changed regularly (approximately every 6 bag changes)

**What to do if your appliance does not work**

Check that the appliance is correctly plugged in and that the electrical socket is working.

**What to do when the suction performance reduces?**

- Stop the appliance and unplug it.
- Check that the tubes, flexible hose and cleaning tool are not blocked.
- Check that the dust bag is not full. Replace it if necessary.
- Check that the air outlet filter is not blocked. Replace it if necessary.

