



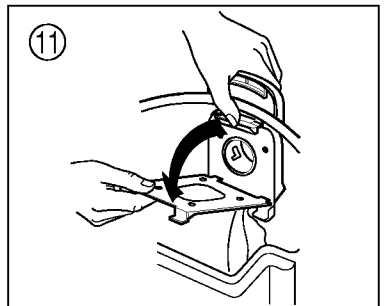
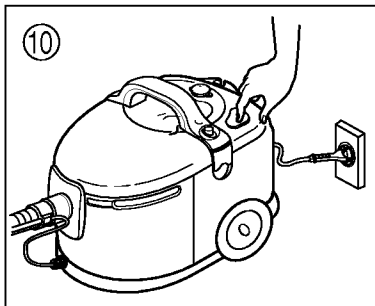
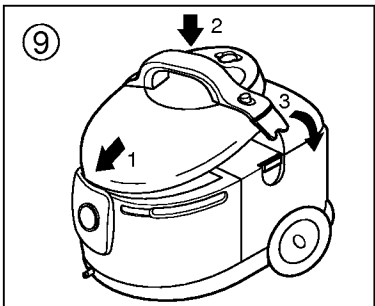
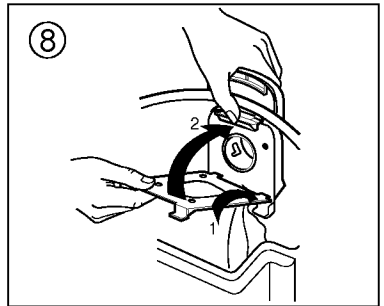
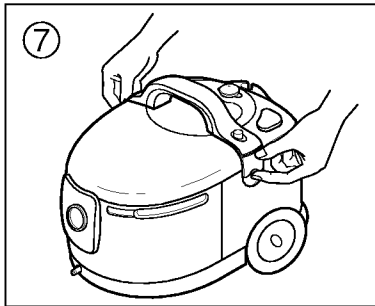
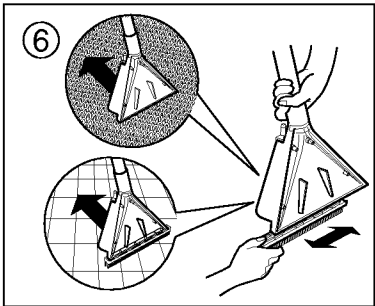
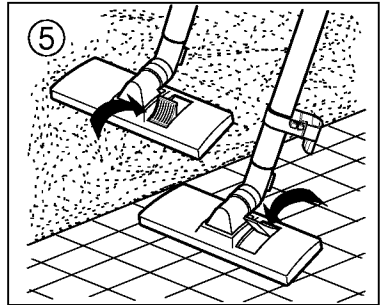
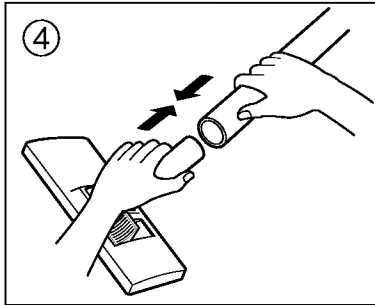
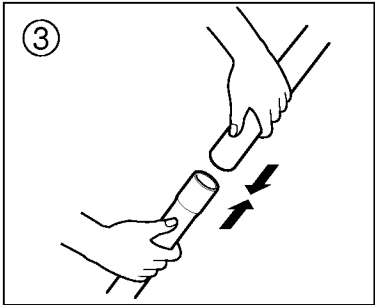
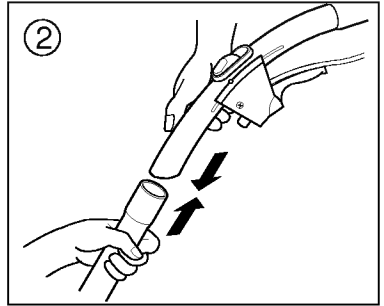
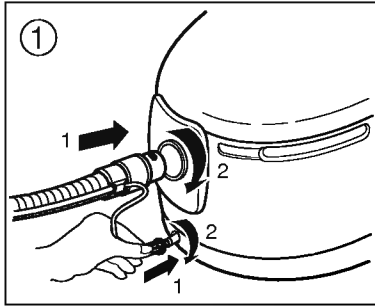
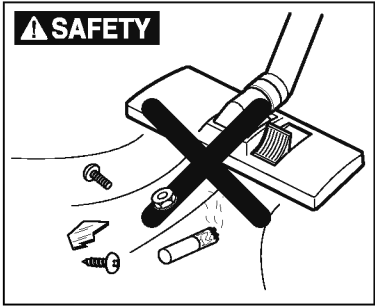
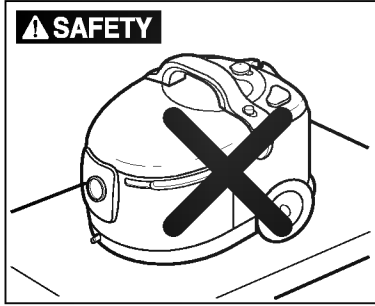
Vacuum Cleaner

OWNER'S MANUAL

MODEL : V-9000WA
V-9600WA

Please read carefully and thoroughly the operating instructions and safety precautions before installing and operating your vacuum cleaner.





Housekeeping

- Turn the cleaner off, and disconnect the plug.
- Press the cord reel button to reel the cord.(Fig. 25)
- Place the pipe holder into the hole at the rear side of the cleaner.(Fig. 26)
- Water may be remained inside the cleaner. In order to prevent the water remained inside it from freezing, keep it at 0°C or higher.

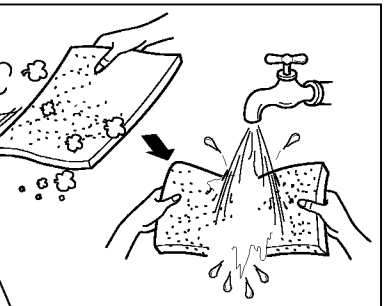
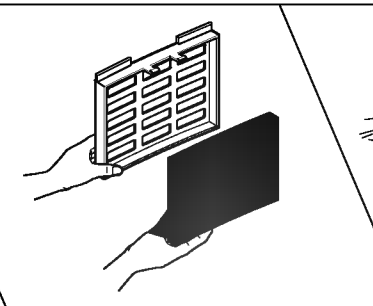
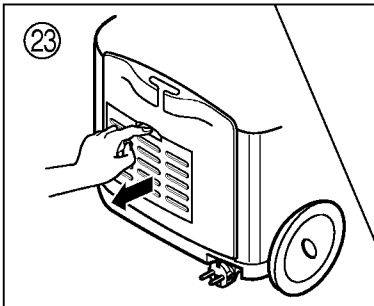
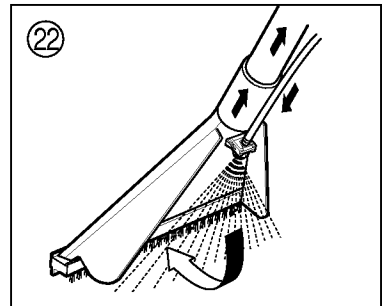
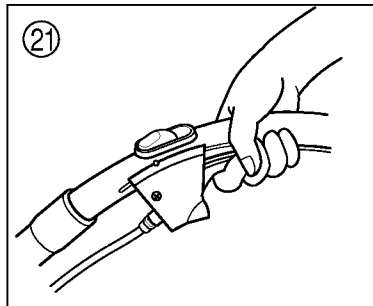
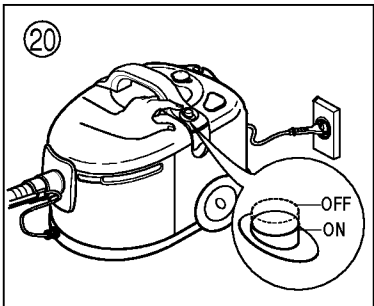
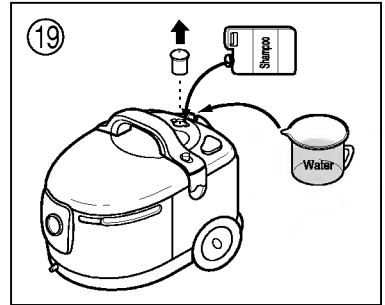
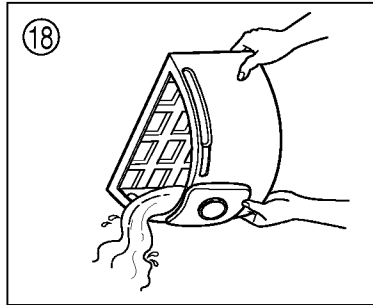
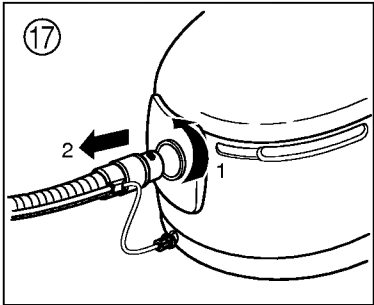
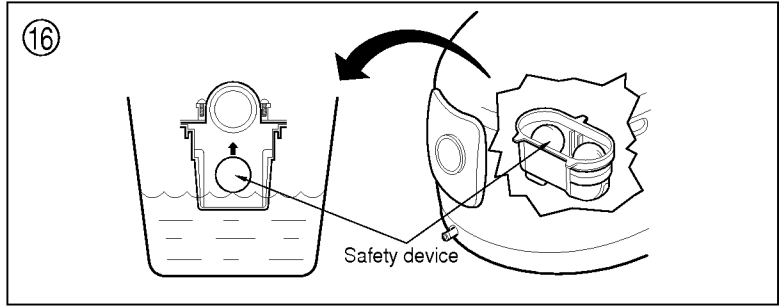
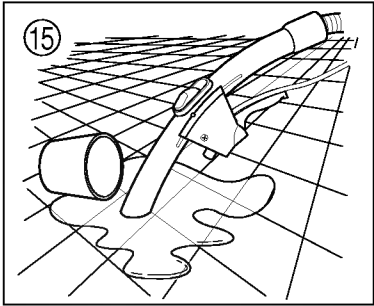
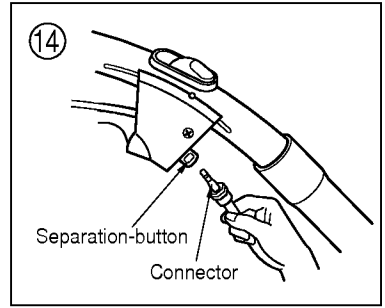
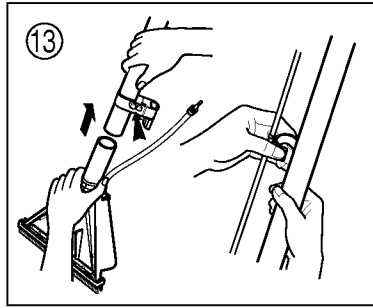
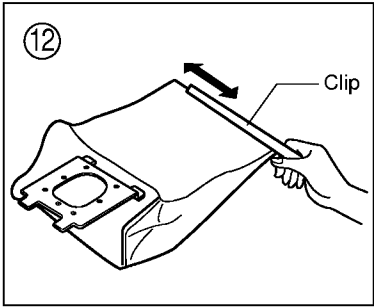
- ✓ When the water in the tank goes to the specific level, the safety device works to prevent the water from sucking.(Fig. 16)
- ✓ Then, make the tank empty.
- ✓ With the power off, turn the hose connected with the tank to the left to be removed.(Fig. 17)
- ✓ Open the cover, and disconnect the tank from the main body.
- ✓ Make the tank empty (Fig. 18), and reassemble it.

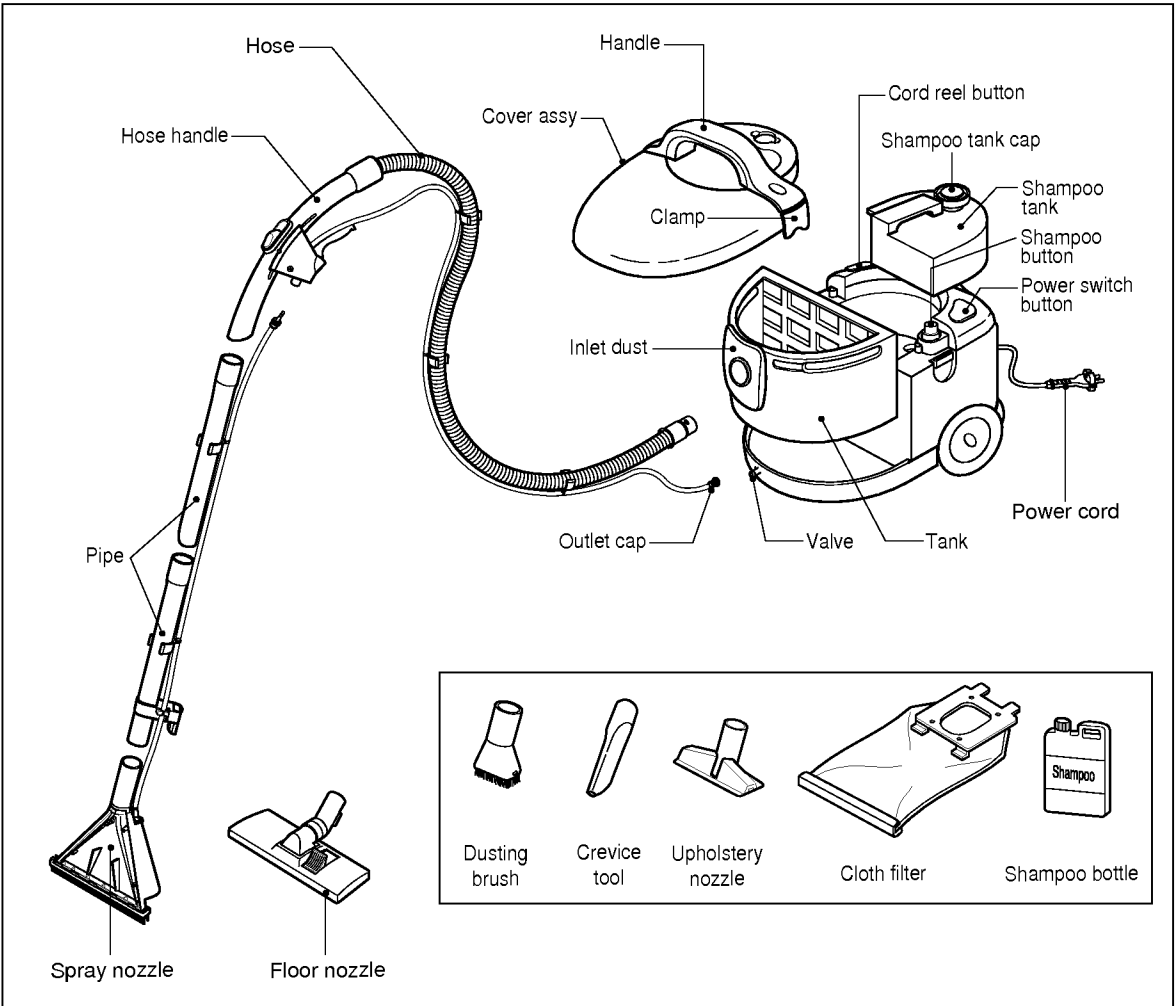
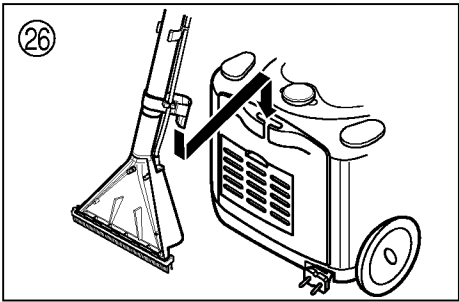
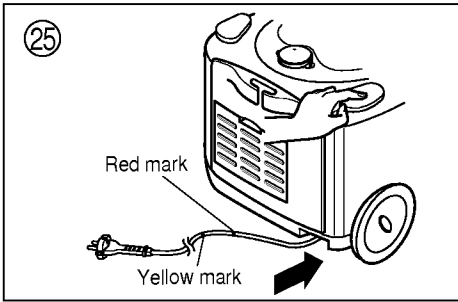
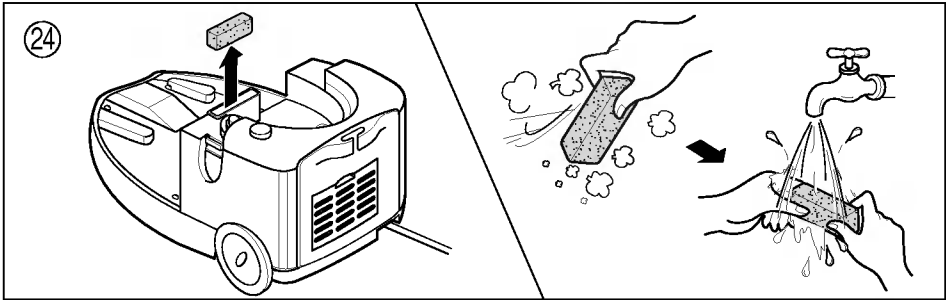
Shampoo cleaning

- Do the dry dust cleaning.
- Open the cover, and remove the filter from the tank.
- Remove the floor nozzle from the pipe, and insert the spray nozzle.
- Insert the tube into the holder of the pipe, and insert the clip into the pipe.
- Insert the connector on the top of the tube into the trigger of the hose handle.
- When you disconnect the connector, press the remove button of the trigger.
- Open the shampoo cap, and fill the shampoo tank with the appropriate ratio of water and shampoo.(Fig. 19)
Read the appropriate ratio value on the shampoo.
- Connect the plug, and press the shampoo button.(Fig. 20)
- Pull the handle of the hose handle, then the shampoo is sprayed at the spray nozzle.(Fig. 21, 22)
- Spray the shampoo evenly over the area to be cleaned, and press the power button to suck the sprayed shampoo. At this time, you should pull to clean toward your body. If you push to clean, you can not suck the shampoo.(Fig. 6)
- When you hear the big noise from the main body during the shampoo cleaning, refill the shampoo tank, because it indicates that the shampoo tank is empty.

- ✓ Use only the shampoo solution dedicated for LG.
- ✓ In order to remove the shampoo remaining inside the main body after the shampoo cleaning, make the tank empty, and operate about for 30 seconds at the state of the shampoo cleaning.
- ✓ Use the clean water only.
- ✓ When the shampoo tank is empty, do not operate for longer than one minute with the shampoo button pressed.

- ✓ Separate exhaust cover and dust off.
- ✓ Then, wash filter in a soapy water.
- ✓ Do not clean in a dish-washer or washing machine.
- ✓ Remove the moisture and filter sufficiently in shade for about a day.





OPERATING INSTRUCTION

Preparation Before Using

- Connect the hose with the tank: Insert the end of the hose into the opening of the tank, and turn it right.(Fig. 1)
- Connect the outlet cap with the valve: Connect the outlet cap with the valve, and turn it right.(Fig. 1)
- Connect the pipe with the hose handle: There are two pipes. Connect the pipe which dose not have the pipe holder.(Fig. 2)
- Connect the other pipe.(Fig. 3)
- Connect the nozzle with the pipe: Connect the nozzle which you want to use with the pipe. (Fig. 4)

NOZZLE

- Floor nozzle: Use it to clean the dry dust.
You can use it to clean a carpet(without brush) and a tile(with brush).(Fig. 5)
- Spray nozzle: Use it to suck water or to do a shampoo cleaning.
You can use it to clean a carpet(without brush) and a tile(with brush).(Fig. 6)

ACCESSORY

You can use all of accessories with a pipe or directly with a hose handle.

- Upholstery nozzle: Use it to clean upholstery such as furniture, curtain, etc..
- Crevice tool: Use it to clean a crevice such as window frame, door crevice, etc.
- Dusting brush: Use it to clean some where difficult to reach such as inside of lampshade, shelf, etc.

How to use

Cleaning a dry dust

- Open the cover, and check whether the inside of the tank is empty or dry.(Fig. 7)
If not empty, make the tank completely empty and make it dry.
- Insert the cloth filter(Fig. 8), and closer the cover.(Fig. 9)
- Insert the floor nozzle.(Fig. 4)
- Connect the plug, and press power button.(Fig. 10)

- ✓ When the filter becomes to be full, the suction power becomes to weak, and you can not do the cleaning any more.
- ✓ Then, clean the cloth filter.
- ✓ With the power off, open the cover and remove the filter.(Fig. 11)
- ✓ Slide out the clip of the filter(Fig. 12), clean the filter, and reinstall the clip again.

Sucking water

- Open the cover, and check whether the cloth filter is installed at the tank or not.
If installed, remove the filter.
- Insert the spray nozzle.(Fig. 13)
- Insert the tube into the holder of the pipe, and insert the clip into the pipe.(Fig. 13)
- Insert the connector on the top of the tube into the trigger of the hose handle.(Fig. 14)
- When disconnecting the connector, press the remove button of the trigger.(Fig. 14)
- Connect the plug, and press the power button.
- You can suck water only with the hose handle after removing the pipe from the hose handle.(Fig. 15)

