

OWNER'S MANUAL

V-CA241NT

V-CA241HT

Bagless vacuum cleaner

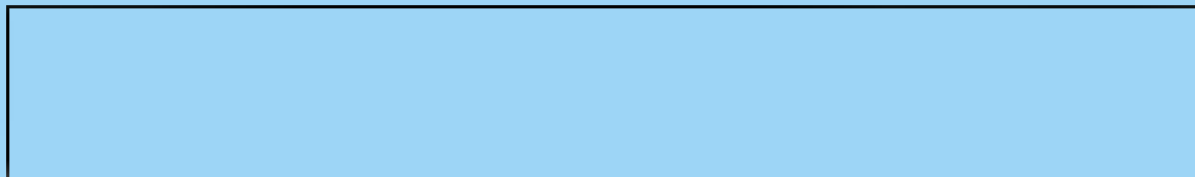




Table of contents

Information for Your Safety	3
How to Use	4
Assembling cleaner	4
Using the cleaning head and Accessory Nozzles.....	6
Emptying the Dust Chamber	8
Operation.....	9
How to Plug in and use.....	9
Adjusting the Suction level	9
Park-System	9
Cleaning the Motor Filter.....	10
Cleaning the Dust Chamber	11
Cleaning the Exhaust Filter	11



Information for Your Safety

Please read all the following information, which contains important instructions for the safety, the use and the maintenance of the appliance.

This appliance complies with the following EC Directives: -73/23/EEC, 93/68/EEC-Low Voltage Directive-89/336EEC -EMC Directive.

- Never allow children to use the appliance unsupervised.
- Do not use the appliance if the power cord is damaged or faulty.
- If the power cord is damaged, it must be replaced by an approved LG Electronics Service Agent to avoid a hazard.
- Always switch the vacuum cleaner off before:
 - Emptying the dust chamber.
 - Cleaning or changing the filters.
- Do not vacuum flammable or explosive substances (liquids or gases).
- Do not vacuum hot ash, embers etc. nor sharp objects.
- Do not vacuum water or other liquids.
- Do not unplug by pulling on cord.
- Use only LG's recommended filters.
- When you vacuum with an attachment appliance that has a rotating brush roller:
 - Do not reach into the running brush roller.

Thermal protector: This vacuum cleaner has a special thermostat that protects the cleaner in case of motor overheating. If the cleaner suddenly shuts off, turn off the switch and unplug the cleaner. Check the cleaner for a possible source of overheating such as a full dust chamber, a blocked hose or clogged filter. If these conditions are found, fix them and wait at least 30 minutes before attempting to use the cleaner. After the 30 minutes period, plug the cleaner back in and turn on the switch. If the cleaner still does not run, contact a qualified electrician.



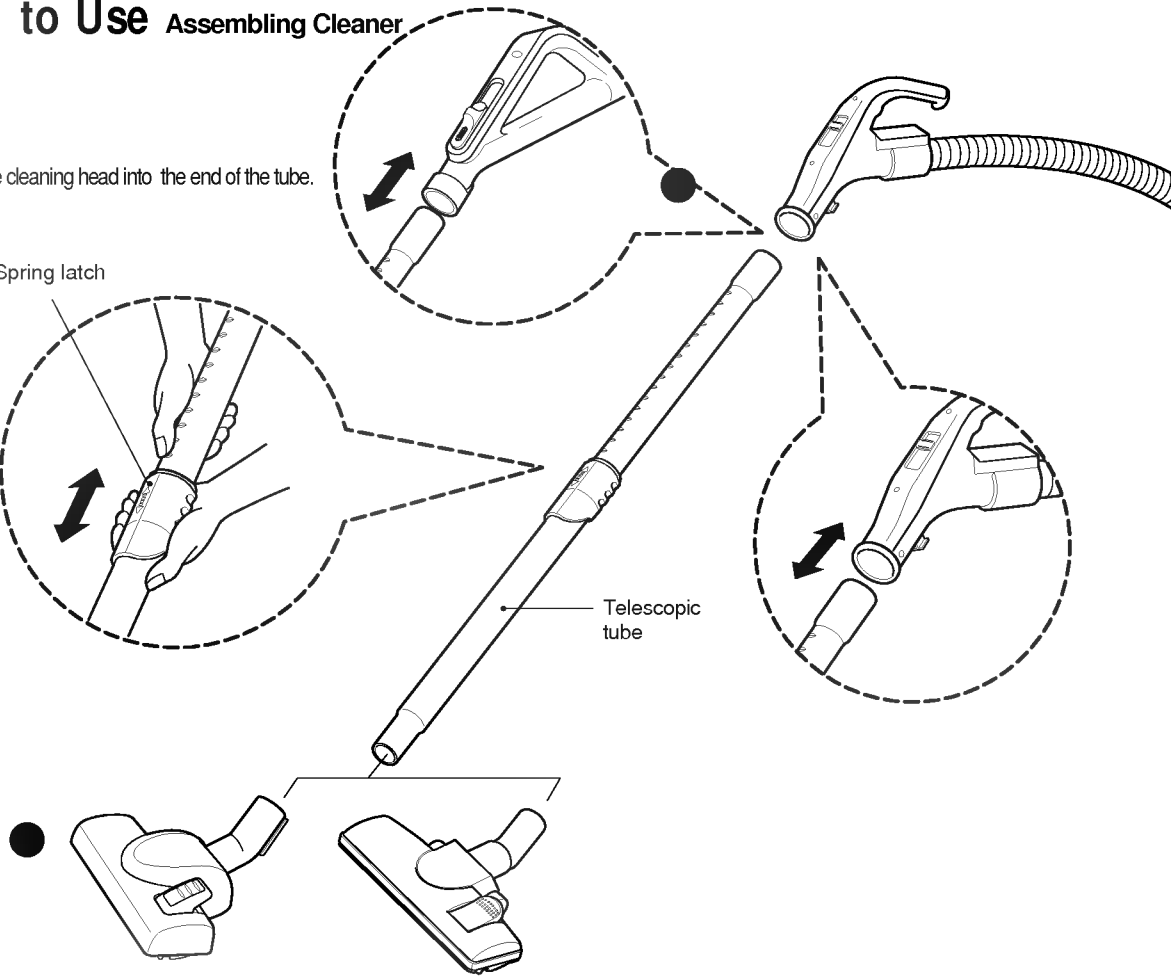


How to Use Assembling Cleaner

Fit the large cleaning head into the end of the tube.

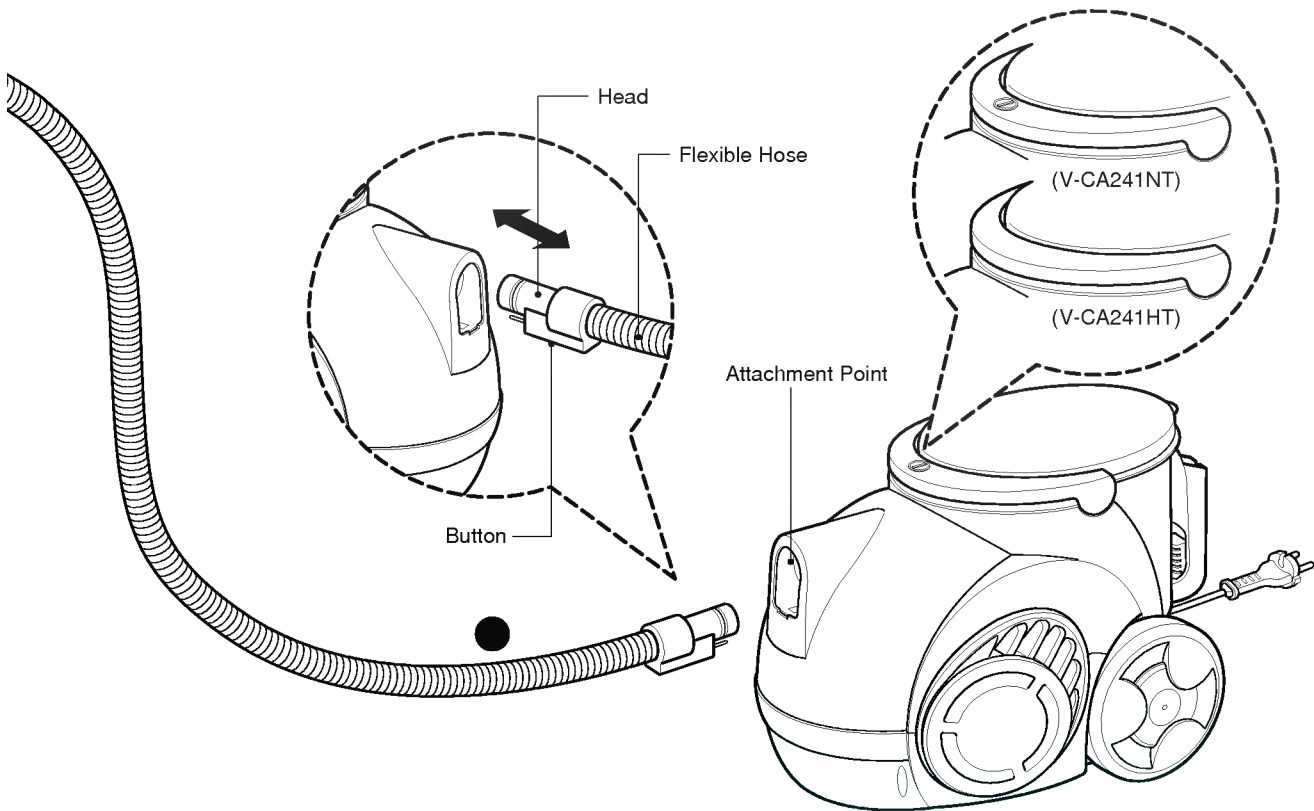
Spring latch

Telescopic tube



Push telescopic tube into nozzle outlet.

- Press the spring latch to release.
- Pull out the tube to the desired length.
- Release spring latch to lock the tube in position.
- Push telescopic tube into hose handle firmly.
(V-CA241NT/V-CA241HT)

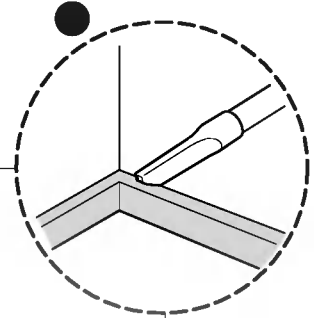
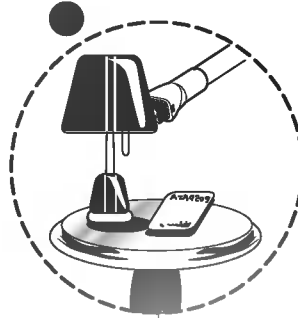
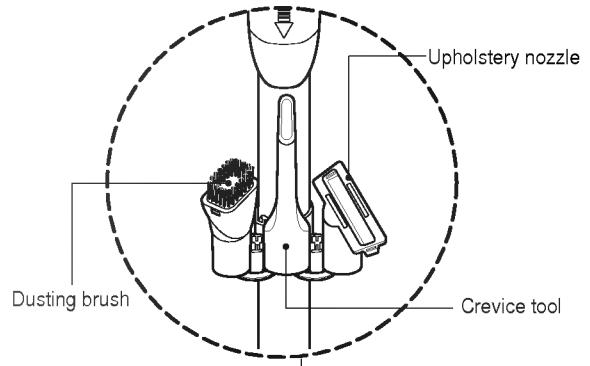
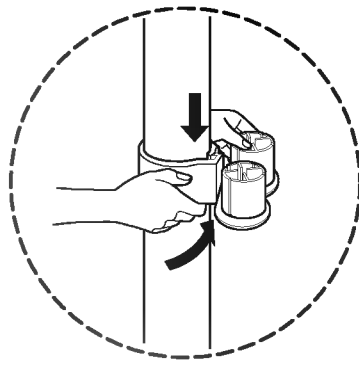


- Push the end of the head on the flexible hose into the attachment point on the vacuum cleaner.
- To remove the flexible hose from the vacuum cleaner, press on the button situated on the head, then pull the head out of the vacuum cleaner.



How to Use Using the cleaning head and Accessory Nozzles

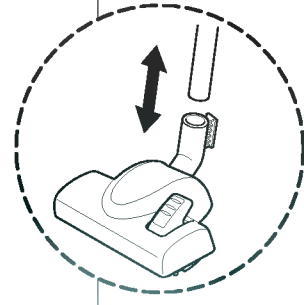
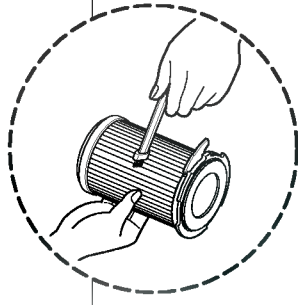
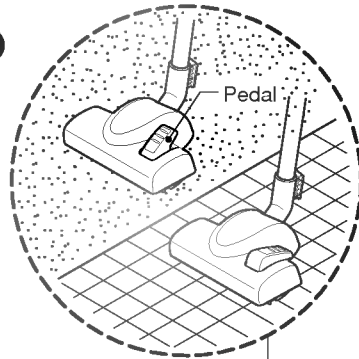
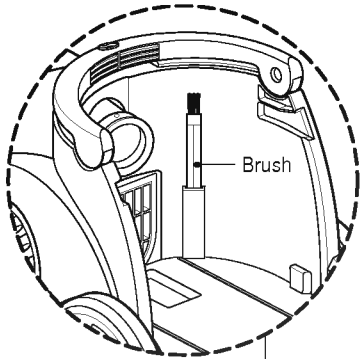
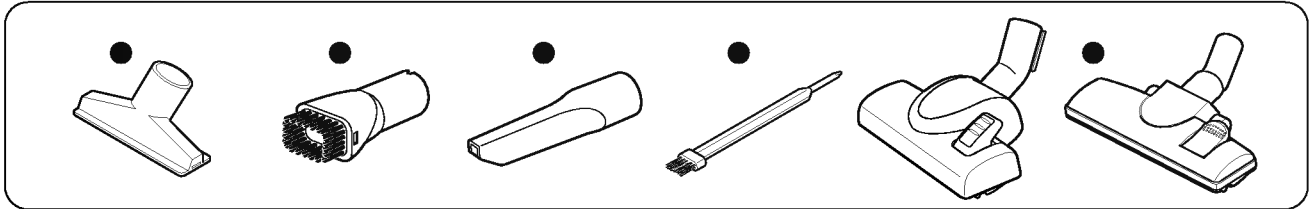
Tear the vinyl bag and pull out accessories. Attach the accessory holder onto the telescopic tube. And then, fit the Dusting Brush, Crevice Tool and Upholstery Nozzle onto the accessory holder. Fit the accessory onto the end of the tube.



Upholstery Nozzle is for vacuuming upholstery, mattresses, etc. The thread collectors help to pick up the threads and fluff.

Dusting Brush is for vacuuming picture frames, furniture frames, books and other irregular surfaces.

Crevice Tool is for vacuuming in those normally hard-to-reach places such as reaching cobwebs, or between the cushions of a sofa.

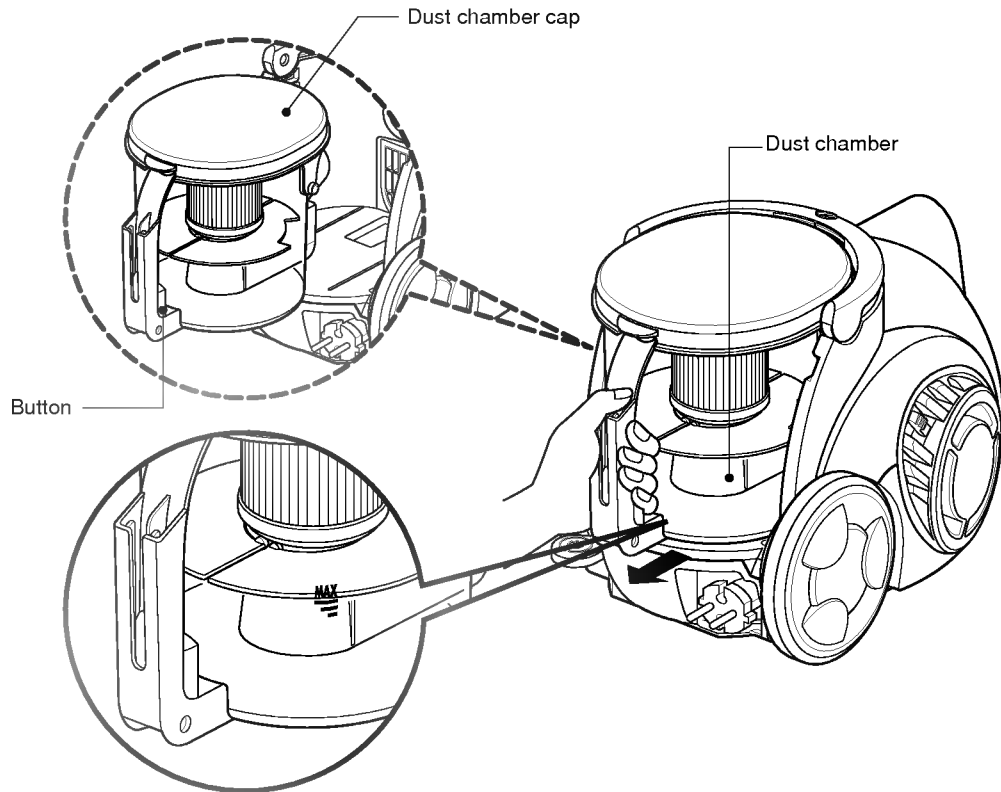


Brush is for cleaning the motor filter. (Air cleaner)

- **The 2 position cleaning head** equipped with a pedal which allows you to alter its position according to the type of floor to be cleaned.
- **Hard floor position** (tiles, parquets floor)
Press the pedal to lower brush.
- **Carpet or rug position**
Press the pedal to lift the brush up.



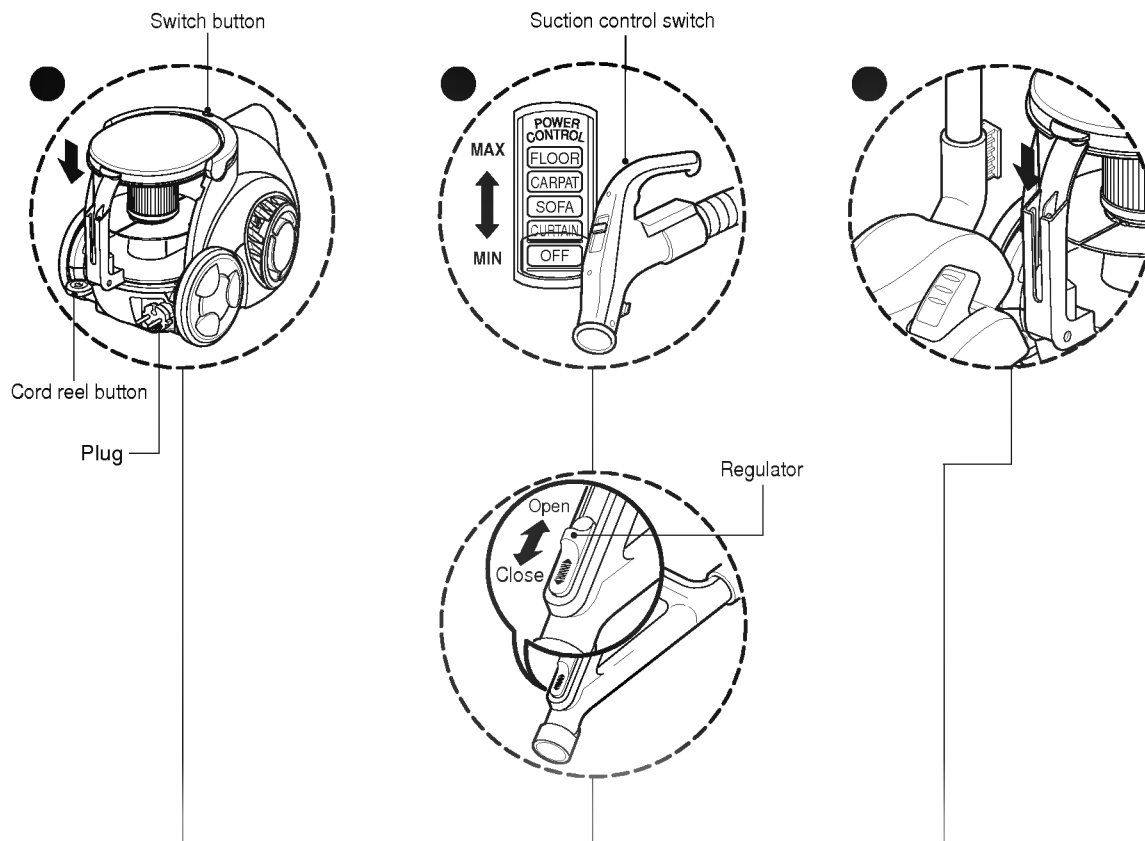
How to Use Emptying the dust chamber



The dust chamber needs emptying when dust reaches the MAX indicator on the dust tank.

- Turn off the vacuum cleaner and unplug it.
- Your vacuum cleaner is equipped with both a dust chamber and a motor filter.
Press the button and pull the dust chamber forward.
Remove the dust chamber cap and empty the dust chamber.
- To reinstall the dust chamber, replace the dust chamber cap and push the dust chamber into the tank mount as far as it will go.

Operation



- Pull out the power cord to the desired length and plug into the socket.

- Push the suction control switch of the hose handle in the direction of the position what you want. (V-CA241HT)

- To stop it, push down the suction control switch in the direction of OFF. (V-CA241HT)

- Press switch button to start the vacuum cleaner. (V-CA241NT)

- To stop it, press the switch button again. (V-CA241NT)

- Press the cord reel button to retract the power cord after use.

- Adjust suction with the suction control switch in the hose handle. (V-CA241HT)

- The flexible hose handle has a manual air flow regulator which allows you to adjust the suction level briefly. (V-CA241NT)

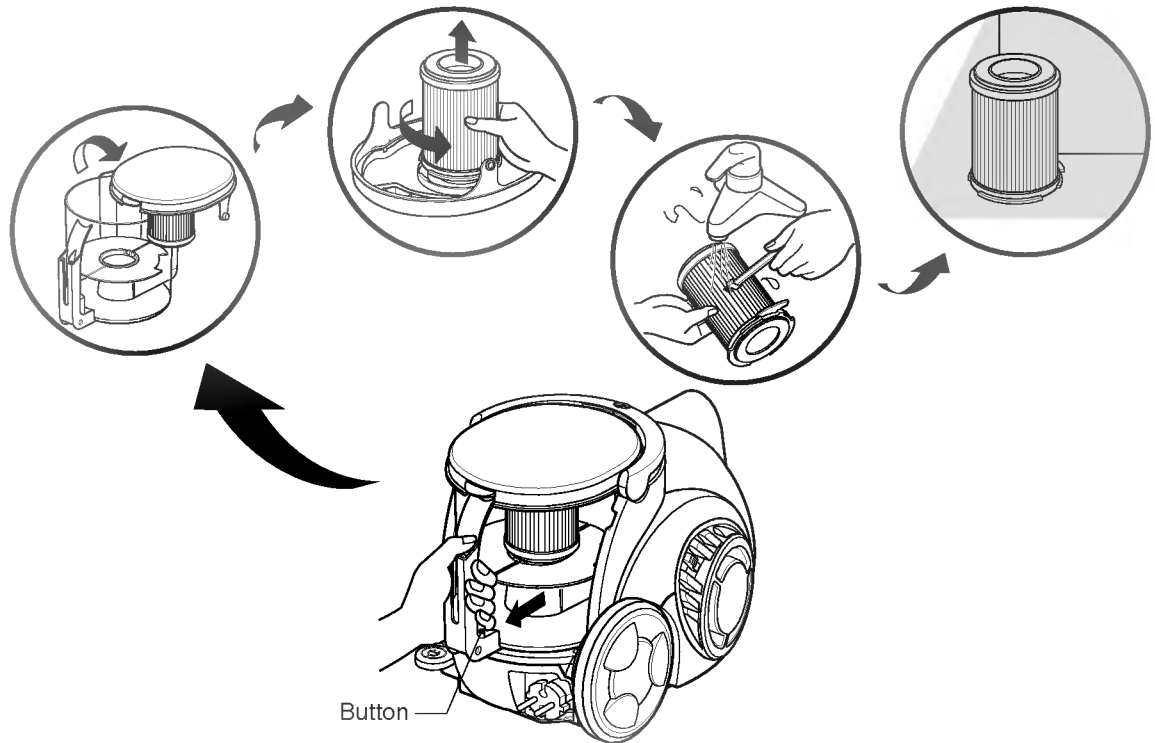
- To store after vacuuming and pause while vacuuming.

- For deposit after vacuuming, for example to move a small piece of furniture or a rug, use the Park system to support the flexible hose and cleaning head.

- Slide the hook on the large cleaning head into the slot on the rear of the dust chamber.



How to Use **Cleaning the Motor Filter**



The reusable motor filter is situated under the dust chamber cap and you can use it permanently.

- Press the button and pull the dust chamber forward.
- Open the dust chamber cap.
- Remove the motor filter by rotating it counter-clockwise.
- Clean the motor filter with the brush under cold running water.
- Allow the motor filter to dry in a shaded location for a day.
The motor filter should be cleaned at least every 6 months.

⚠ WARNING!

Gently rinse both parts separately under a cold running water until the water runs clear. **Do not use detergent or a washing machine or dishwasher.**

Shake off excess water from the filter.

Do not tumble/spindry, microwave or place in oven or on direct heat.

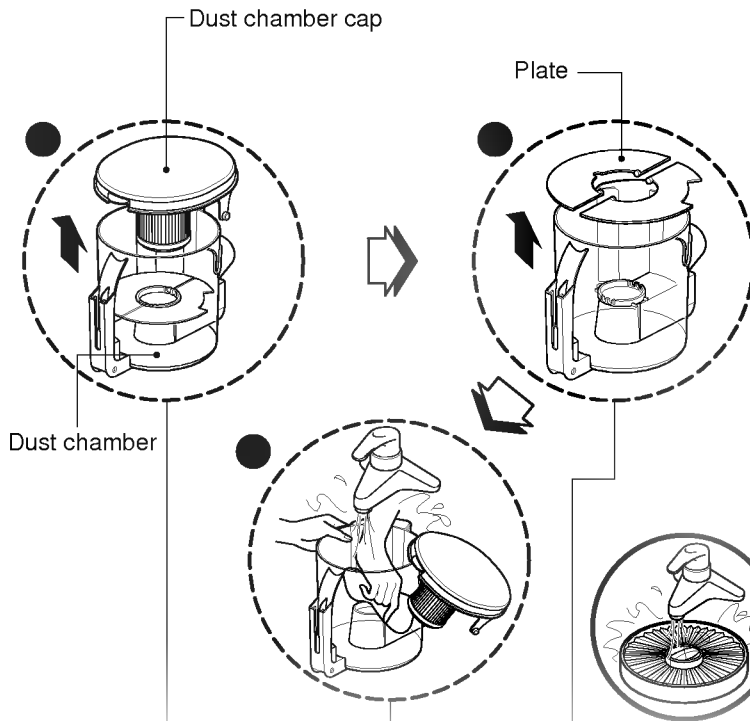
Ensure the filter is completely dry.

Re-assemble and place it back in your machine, filter frame.

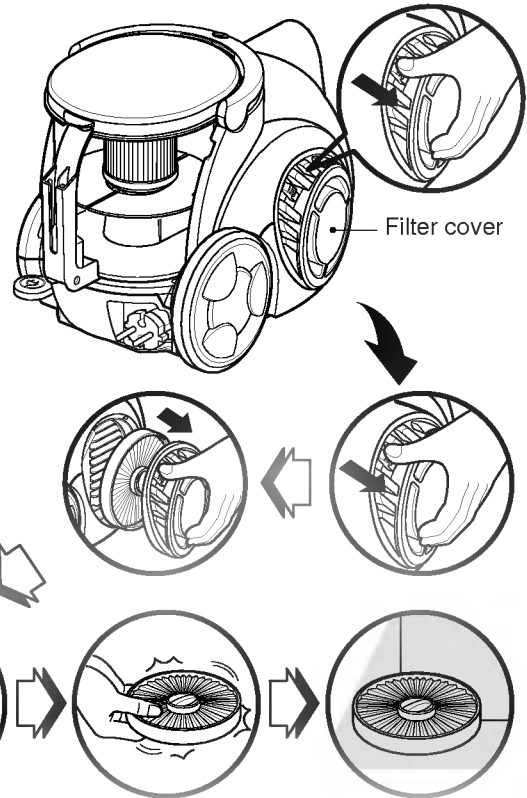
If the filter is damaged, do not place them in the machine.

Please call the Helpline.

Cleaning the Dust Chamber



Cleaning the Exhaust Filter



1 Open the dust chamber cap.

2 Remove two plates from the dust chamber.

3 Wash both parts with soft cloth.
Gently rinse both parts under cold running water.

- The exhaust filter is a washable reusable HEPA filter.
- To change the exhaust filter, remove the filter cover on the body by release hook.
- Pull out the exhaust filter.
- Clean it with cold, running water.
Do Not use the brush
-Using the brush will cause permanent damage and allow dust to bypass the filter.
- Allow exhaust filter to dry in a shaded location for a dry.
- The exhaust filter should be cleaned at least once a year.



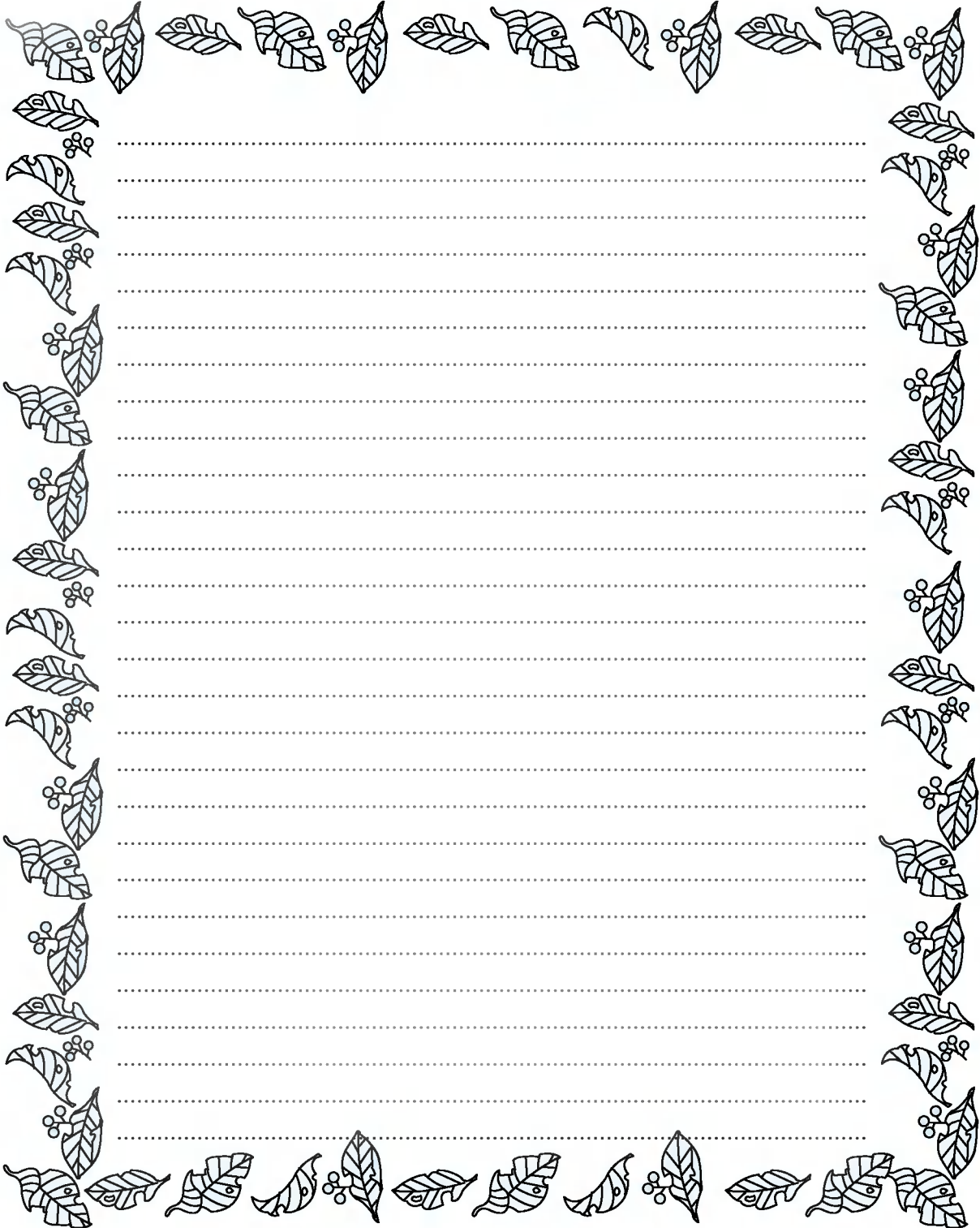
What to Do if Your Vacuum Cleaner Does Not Work

Check that the vacuum cleaner is correctly plugged in correctly and that the electrical socket is working.

What to Do When Suction Performance Decreases

- Turn off the vacuum cleaner and unplug it.
- Check the telescopic tube, flexible hose and cleaning tool for blockages or obstructions.
- Check that the dust chamber is not full. Empty if necessary.
- Check that the motor filter light is not on. Clean the motor filter, if necessary.
- Check that the exhaust filter is not blocked. Clean the exhaust filter, if necessary.

Notes





Notes



