

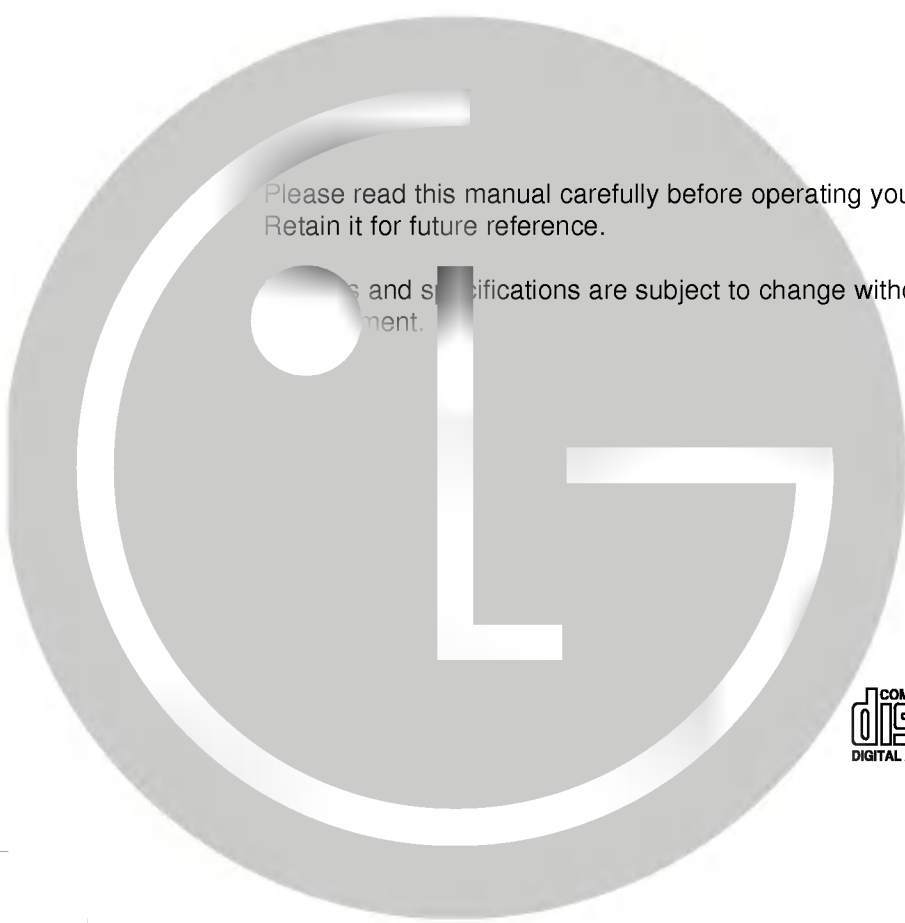


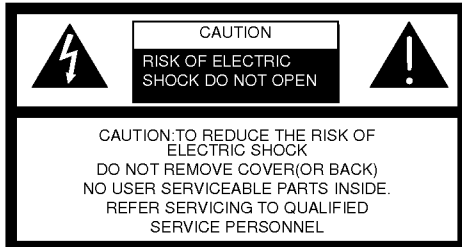
## **MICRO AUDIO COMPONENT OWNER'S MANUAL**

**MODELS: FFH-2850AX  
FE-2850E**

Please read this manual carefully before operating your set.  
Retain it for future reference.

Prices and specifications are subject to change without notice for  
no reason.





**Explanation Graphical Symbols:**



The lightning flash with arrowhead symbol, within an equilateral triangle is intended to alert the user to the presence of uninsulated dangerous voltage within the product's enclosure that may be of sufficient magnitude to constitute a risk of electric shock to persons.



The exclamation point within an equilateral triangle is intended to alert the user to the presence of important operating and maintenance (servicing) instructions in the literature accompanying the appliance.

**WARNING:**

TO REDUCE THE RISK OF FIRE OF ELECTRIC SHOCK, DO NOT EXPOSE THIS APPLIANCE TO RAIN OR MOISTURE. To avoid electrical shock, do not open the cabinet, Refer servicing to qualified personnel only.

**CAUTION**

Use of controls or adjustments or performance of procedures other than those specified herein may result in hazardous radiation exposure.

The apparatus shall not be exposed to dripping or splashing and that no objects filled with liquids, such as vases, shall be placed on the apparatus.

**(FOR THE CUSTOMER IN EUROPE)**

If this product is marked with the CE-symbol, it means which is confirmed to EMC regulation 89/336/EEC.

Laser component in this product is capable of emitting radiation exceeding the limit for Class 1.

**CAUTION: INVISIBLE LASER RADIATION WHEN OPEN AND INTERLOCKS DEFEATED. AVOID EXPOSURE TO BEAM.**

**WARNING: OSYNLIG LASERSTRÅLNING NÅR DENNA DEL ÄR ÖPPNAD STRÅLEN ÄR FARLIG.**

**Attention: Quand l'appareil est ouvert, ne pas s'exposer aux radiations invisibles du faisceau laser.**

This label is located on the interior.

**CLASS 1 LASER PRODUCT  
KLASSE 1 LASER PRODUKT  
LUOKAN 1 LASER LAITE  
KLASS 1 LASER APPARAT  
CLASSE 1 PRODUIT LASER**

This Compact Disc player is classified as a CLASS 1 LASER product. The CLASS 1 LASER PRODUCT label is located on the exterior.

**(FOR CUSTOMERS IN CANADA)**

**CAUTION:**

TO PREVENT ELECTRIC SHOCK, DO NOT USE THIS (POLARIZED) PLUG WITH AN EXTENSION CORD, RECEPTACLE, OR OTHER OUTLET UNLESS THE BLADES CAN BE FULLY INSERTED TO PREVENT BLADE EXPOSURE. This class B digital apparatus meets all requirements of the Canadian Interference-Causing Equipment Regulations.

**WARNING:**

SHOCK HAZARD - DO NOT OPEN

**MISE EN GARDE:**

Pour éviter les chocs électriques, n'utilisez pas cette fiche (polarisée) avec une rallonge, un réceptacle ou une autre prise si vous ne pouvez pas y insérer les brouches à fond.

**ISE EN GARDE**

Cet appareil numérique de la classe B respecte toutes les exigences de Règlement sur le matériel brouilleur de Canada.

**AVERTISSEMENT**

RISQUE DE CHOC ELECTRIQUE NE-PAS OUVRIR

**Note to CATV system installer:**

This reminder is provided to call the CATV system installer's attention to Article 820-40 of the NEC that provides guidelines for proper grounding and, in particular, specifies that the cable ground shall be connected to the grounding system of the building, as close to the point of cable entry as practical.

**(FOR CUSTOMERS IN THE UNITED STATES OF AMERICA)**

**NOTE:**

**The interference potential to the device.**

This equipment generates and uses radio frequency energy and if not installed and used properly, that is in strict accordance with the manufacturer's instructions, may cause interference to radio and television reception. It has been type tested and found to comply with the limits for a Class B computing device in accordance with the specifications in subparts J of Part 15 of FCC Rules, which are designed to provide reasonable protection against such interference in a residential installation. However, there is no guarantee that interference will not occur in a particular installation. If this equipment does cause interference to radio or television reception, which can be determined by turning the equipment off and on, the user is encouraged to try to correct the interference by one of more or the following measures:

- Reorient or relocate the receiving antenna.
- Increase the separation between the equipment and receiver.
- Connect the equipment into an outlet on a circuit different from that to which the receiver is connected.
- Consult the dealer or an experienced radio/TV technician for help.

**(FOR CUSTOMERS IN THE UNITED KINGDOM)**

**WIRING INSTRUCTIONS**

This appliance is supplied with a BS1363 approved 3 amp fused mains plug. When replacing the fuse always use a 3 amp BS1362 approved type. Never use this plug with the fuse cover omitted. To obtain a replacement fuse cover contact your supplying dealer or "LG ELECTRONICS U.K.LTD". If the mains sockets in your home differ, or are not suitable for the type of plug supplied, then the plug should be removed and a suitable type fitted. Please refer to the wiring instructions below:

**Warning:** The mains plug severed from the mains lead of this appliance must be destroyed. A mains plug with bared wires is hazardous if engaged in a mains output line socket.

**IMPORTANT**

The wires in this mains lead are coloured in accordance with the following codes:

Blue	:	Neutral
Brown	:	Live

As the colour of the wires in the mains lead of this appliance may not correspond with the coloured markings identifying the terminals in your plug, proceed as follows:

The wire which is coloured blue must be connected to the terminal which is marked with the letter N or coloured black.

The wire which is coloured brown must be connected to the terminal which is marked with the letter L or coloured red.

If a 13 amp BS1363 plug or any other type of plug is used, 3 amp BS1362 approved fuse must be fitted either in the plug or at the distribution board.

**Warning:** Do not connect either wire to the earth pin, marked with the letter E or with the earth symbol  $\perp$  or coloured green or green and yellow.

## IMPORTANT SAFETY INSTRUCTIONS

### FOR CUSTOMERS IN THE UNITED STATES

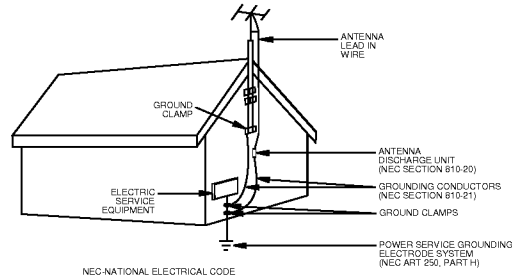
#### CAUTION:

- Read all of these instructions.
- Save these instructions for later use.
- Follow all warnings and instructions made on the audio equipment.

- Read instructions - All the safety and operating instructions should be read before the product is operated.
- Retain instructions - The safety and operating instructions should be retained for future reference.
- Heed Warnings - All warnings on the product and in the operating instructions should be followed.
- Follow instructions - All operating and use instructions should be followed.
- Cleaning - Unplug this product from the wall outlet before cleaning. Do not use liquid cleaners or aerosol cleaners. Use a damp cloth for cleaning.
- Attachments - Do not use attachments not recommended by the product manufacturer as they may cause hazards.
- Water and Moisture - Do not use this product near water-for example, near a bath tub, wash bowl, kitchen sink, or laundry tub; in a wet basement; or near a swimming pool; and the like.
- Accessories - Do not place this product on an unstable cart, stand, tripod, bracket, or table. The product may fall, causing serious injury to a child or adult, and serious damage to the product. Use only with a stand, tripod, bracket, or table recommended by the manufacturer or sold with the product. Any mounting of the product should follow the manufacturer's instructions and should use a mounting accessory recommended by the manufacturer.
- A product and cart combination should be moved with care. Quick stops, excessive force, and uneven surfaces may cause the product and cart combination to overturn.
- Ventilation - Slots and openings in the cabinet are provided for ventilation and to ensure reliable operation of the product and to protect it from overheating, and these openings must not be blocked or covered. The openings should never be blocked by placing the product on a bed, sofa, rug, or other similar surface. This product should not be placed in a built-in installation such as a bookcase or rack unless proper ventilation is provided or the manufacturer's instructions have been followed.
- Power Sources - This product should be operated only from the type of power source indicated on the marking label. If you are not sure of the type of power supply to your home, consult your product dealer or local power company. For products intended to operate from battery power, or other sources, refer to the operating instructions.
- Power-Cord Protection - Power supply cords should be routed so that they are not likely to be walked on or pinched by items placed upon or against them, paying particular attention to cords at plugs, convenience receptacles, and the point where they exit from the product.
- Protective Attachment Plug - The product is equipped with an attachment plug having overload protection. This is a safety feature. See Instruction Manual for replacement or resting or protective device. If replacement of the plug is required, be sure the service technician has used a replacement plug specified by the manufacturer that has the same overload protection as the original plug.
- Lightning - For added protection for this product during a lightning storm, or when it is left unattended and unused for long periods of time, unplug it from the wall outlet and disconnect the antenna or cable system. This will prevent damage to the product due to lightning and power-line surges.



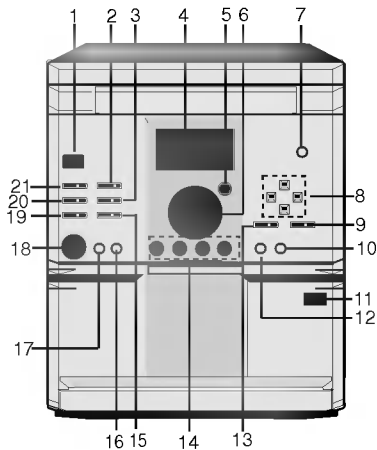
## IMPORTANT SAFETY INSTRUCTIONS



- **Outdoor Antenna Grounding** - If an outside antenna or cable system is connected to the product, be sure the antenna or cable system is grounded so as to provide some protection against voltage surges and built-up static charges.
- **Article 810 of the National Electrical Code, ANSI/NFPA 70** provides information with regard to proper grounding of the mast and supporting structure, grounding of the lead-in wire to an antenna discharge unit, size of grounding conductors, location of antenna discharge unit, connection to grounding electrodes, and requirements for the grounding electrode.
- **Power Lines** - An outside antenna system should not be located in the vicinity of overhead power lines or other electric light or power circuits, or where it can fall into such power lines or circuits. When installing an outside antenna system, extreme care should be taken to keep from touching such power lines or circuits as contact with them might be fatal.
- **Overloading** - Do not overload wall outlets, extension cords, or integral convenience receptacles, as this can result in a risk of fire or electric shock.
- **Object and Liquid Entry** - Never push objects of any kind into this product through openings as they may touch dangerous voltage points or short-out parts that could result in a fire or electric shock. Never spill liquid of any kind on the product.
- **Servicing** - Do not attempt to service this product yourself as opening or removing covers may expose you to dangerous voltage or other hazards. Refer all servicing to qualified service personnel.
- **Damage Requiring Service** - Unplug this product from the wall outlet and refer servicing to qualified service personnel under the following conditions:
  - a) When the power-supply cord or plug is damaged.
  - b) If liquid has been spilled, or objects have fallen into the product.
  - c) If the product has been exposed to rain or water.
  - d) If the product does not operate normally by following the operating instructions. Adjust only those controls that are covered by the operating instructions as an improper adjustment of other controls may result in damage and will often require extensive work by a qualified technician to restore the product to its normal operation.
  - e) If the product has been dropped or damaged in any way.
  - f) When the product exhibits a distinct change in performance, this indicates a need for service.
- **Replacement Parts** - When replacement parts are required, be sure the service technician has used replacement parts specified by the manufacturer or have the same characteristics as the original parts. Unauthorized substitutions may result in fire, electric shock, or other hazards.
- **Safety Check** - Upon completion of any service or repairs to this product, ask the service technician to perform safety checks to determine that the product is in proper operating condition.
- **Wall or Ceiling Mounting** - The product should be mounted to a wall or ceiling only as recommended by the manufacturer.
- **Heat** - The product should be situated away from heat sources such as radiators, heat registers, stoves, or other products (including amplifiers) that produce heat.

## CONTROL LOCATIONS

### Front View

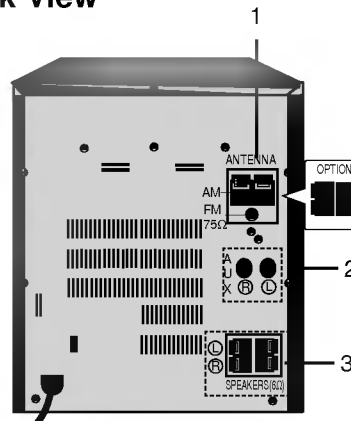


#### Front view

1. STANDBY/ON BUTTON
2. •CD /•COUNTER /•RDS (OPTIONAL) BUTTON
3. MODE/RIF BUTTON
4. DISPLAY
5. REMOTE SENSOR
6. VOLUME +/-
7. CD DOOR EJECT (OPEN/CLOSE ) BUTTON
8. • TUNING (+)/(-) ( ) BUTTONS (RADIO)
- SKIP/SEARCH BUTTONS(CD)
- REWIND/FAST BUTTONS (TAPE)
- =TAPE PLAY DIRECTION BUTTONS ( :OPTIONAL)
- PRESET (+)/(-) BUTTONS (RADIO)
- CD PLAY BUTTON ( )
9. ■ STOP/CLEAR BUTTON (CD), STOP BUTTON (TAPE)
10. ○ TIMER BUTTON

11. ▲ PUSH EJECT POSITION
12. CLOCK BUTTON
13. SET BUTTON
14. FUNCTION SELECTION BUTTON (TUNER/BAND, CD, TAPE, AUX)
15. PROG./MEMO. BUTTON
16. MDSS BUTTON
17. ● REC/|| :RECORD/RECORD PAUSE BUTTON (TAPE)
18. HEADPHONE SOCKET (3.5mm)
19. REPEAT BUTTON
20. CD SYNC. BUTTON
21. • EQ PATT. BUTTON
- PLAY MODE( )
- BUTTON :OPTIONAL

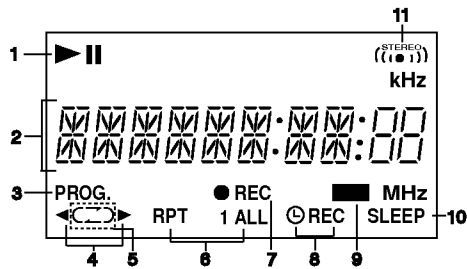
### Back View



#### Back View

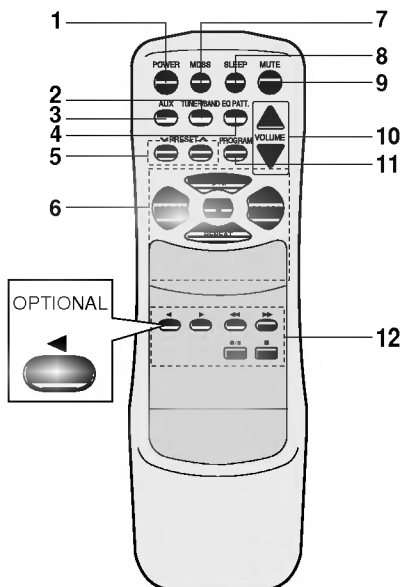
1. ANTENNA(AERIAL) CONNECTION TERMINALS (page 8 reference)
2. AUXILIARY INPUT SOCKETS  
Connect the audio output RCA (phono) type left/right plugs from your stereo TV or VCR or another Tape deck to the AUX sockets on the back of the unit. (page 9 reference)
3. SPEAKER CONNECTION TERMINALS (page 8 reference)

## DISPLAY



1. PLAY/PAUSE indicator
2. FUNCTION, VOLUME LEVEL, CLOCK, FREQUENCY, TAPE COUNTER, CD PLAYING TIME, MDSS, EQ PATTERN display
3. PROGRAM indicator
4. PLAY DIRECTION indicator
5. PLAY MODE indicator (OPTIONAL)
6. CD REPEAT indicator
7. RECORD indicator
8. TIMER indicator
9. RDS indicator (OPTIONAL)
10. SLEEP indicator
11. FM STEREO indicator

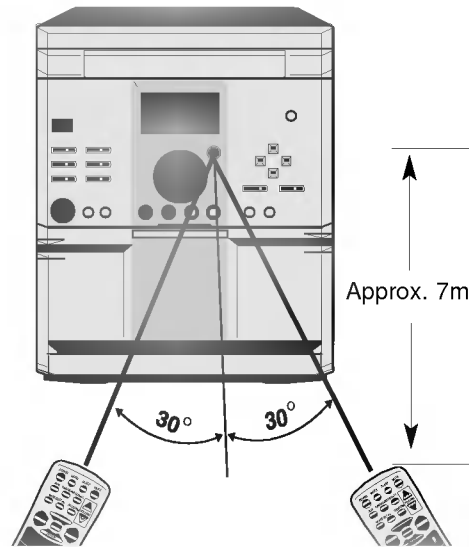
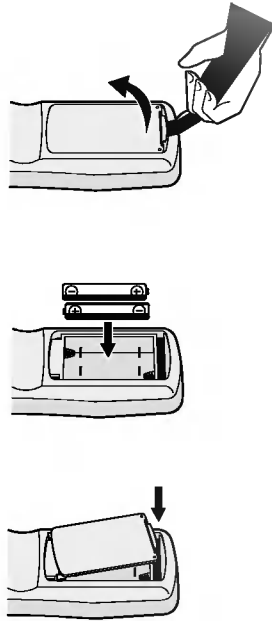
## REMOTE CONTROL



1. POWER button
2. TUNER/BAND button
3. AUX button
4. EQ PATTERN button
5. PRESET (∇/∧) button
6. CD FUNCTION buttons
  - PLAY/ PAUSE (▶||) button
  - STOP/ CLEAR (■) button
  - SKIP/ SEARCH (▶▶▶/||/||/◀◀◀) button
  - REPEAT button
7. MDSS button
8. SLEEP button
9. MUTE button
10. VOLUME CONTROL (∇/∧) button
11. PROGRAM button
12. TAPE FUNCTION buttons
  - RECORD / RECORD PAUSE button (●/||)
  - BACKWARD PLAY button (◀) : OPTIONAL
  - FORWARD PLAY button (▶)
  - STOP button (■)
  - REWIND /FAST button (◀◀/▶▶)

## REMOTE CONTROL

### Installation Batteries



#### Notes on Batteries

- Your remote control comes with batteries. Use two “AAA (UM-4, IEC R03)” type high quality batteries.
- When the remote control fails to operate accurately at maximum distance from the unit, replace the worn out batteries with new ones.
- Install two “AAA” type batteries, observing correct battery polarity (  $\oplus$  and  $\ominus$  )
- Do not use different types of batteries together, or an old one with a new one.
- When you are not going to use the unit for a long time, remove the batteries to prevent possible electrolyte leakage.

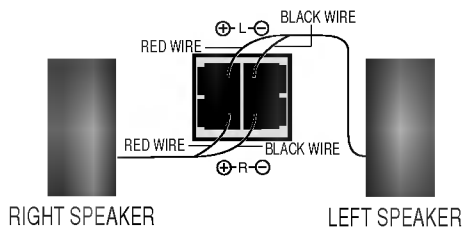
#### Range

The remote control device is designed for the range shown in the illustration above.

#### NOTE:

Strong light or obstacles between the remote control device and the stereo system may interfere with the functioning of the remote control.

## CONNECTING THE SPEAKER

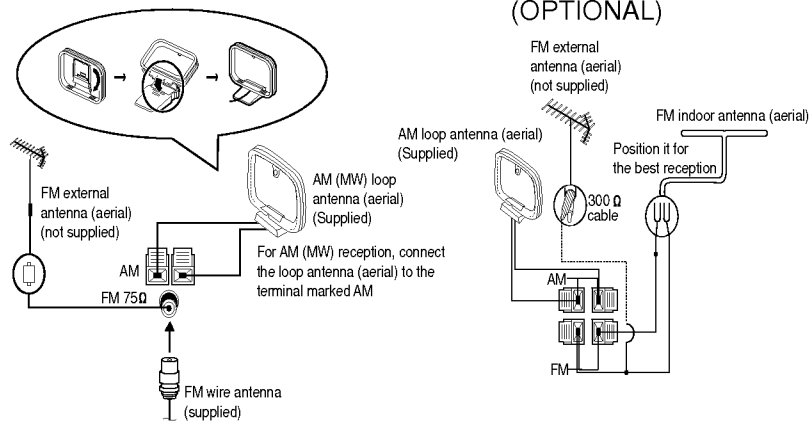


1. Insert the red wire of the right/left hand speaker into the red terminal marked(+) at the back of the unit.
2. Insert the black wire into the black terminal marked(-).

### NOTE:

This speaker system is designed for magnetic shielding, but the video image of a nearby television may be distorted. In this case, move the affected television above 50 cm from the speaker system.

## ANTENNA CONNECTIONS



## SETTING THE CLOCK

1. Press the "CLOCK" button. (If the clock is already set, press and hold the "CLOCK" button for more than 2 seconds.) - The hours begin to blink.
2. Select a 24 hour cycle or 12 hour cycle by using the "PRESET (+)/(-)" buttons.
3. Press the "SET" button to confirm the selected hour cycle.
4. Use the "PRESET (+)/(-)" buttons to set the correct hours.
5. Press the "SET" button.
6. Use the "PRESET (+)/(-)" buttons to set the correct minutes.
7. Press the "SET" and the correct time is shown on the display.
8. Press the "CLOCK" button at any time to display the time for about 3 seconds.



## AUDIO ADJUSTMENT

### ► Volume Adjustment

- Turn "VOLUME" clockwise to increase the sound level, or counterclockwise to decrease it.
- Press "VOLUME ^" button to increase the sound level, or press "VOLUME v" button to decrease it on the remote control.

### ► Sound Quality Adjustment

- To activate stereo sound  
You can choose between 4 fixed sound impressions:  
select a desired sound mode by using the "EQ PATT." button on the remote control.
  - FLAT : linear frequency response
  - ROCK : more bass, more treble
  - POP : less bass, less treble
  - CLASSIC : for orchestral music
- Headphone Socket.  
Connect a stereo headphone plug (3.5mm) into the headphone socket. The speakers are automatically disconnected when you plug in the headphones (not supplied).

### ► MUTE button (on remote control)

Press this button to mute your unit. You can mute your unit in order, for example, to answer the telephone. the "MUTE" indicator blinks on the display.

### ► MDSS(Multi Dynamic Sound System)

Press the "MDSS" button to reinforce treble(Hi-Tone), bass(UBB: Ultra Bass Booster) and surround effect. The "MDSS ON" or "MDSS OFF" indicator lights up. To cancel it press the "MDSS" button again.

### ► RDS Reception(OPTIONAL)

What is RDS(Radio Data System)?

RDS(Radio Date System) is a system gradually being introduced on FM in many countries, where by an inaudible stream of data is transmitted in addition to the normal radio signal. This data contains various information including station/transmitter identification, traffic information and a list of alternative frequencies for the radio station being received.

1. Press the "TUNER/BAND" button to select FM.
2. Select a desired station by pressing the "TUNING(+)/(-)" button.
3. When the RDS transmission is received, the display shows the program service name (PS) after RDS indicator appears.

#### NOTES:

- RDS is only available for FM reception.
- The PS(PROGRAM SERVICE) NAME is displayed automatically when a RDS station is received.
- To recall the frequency  
Press the "RDS" button.

## AUXILIARY FUNCTION

1. Connect an auxiliary device i.e. TV or VCR, via the rear mounted AUX phono sockets.
2. Press the "AUX" function button.

#### NOTE:

You can also record from the auxiliary input source, see Cassette Deck Function Section.

## TUNER FUNCTIONS

### To listen to the Radio

1. Press the "TUNER/BAND" button to select a desired waveband.
2. To tune to the desired station with automatic tuning, keep "TUNING (+)/(-) , (▶▶▶▶ or ◀◀◀◀)" button depressed for more than 1 second. To tune to the desired station with manual tuning, press the "TUNING (+)/(-) , (▶▶▶▶ or ◀◀◀◀)" button within 1 second repeatedly.
3. When listening to FM stations press the "MODE/RIF" button for FM stereo reception. The "STERERO" will appear in the display. When a weak FM station is being received-press the "MODE/RIF" button so that "STERERO" is cleared from the display.

**NOTE:** Use "MODE/RIF" (Radio Interference Filter) button to switch to mono reception if stereo reception is distorted by noise. When recording the MW(AM) or LW broadcast, beat noises occur. If it does, press this button once.

### Presetting the stations

1. To clear any programme previously stored in any memory.
  - (1) Press the "PROG./MEMO." button for 2 seconds in TUNER mode so that "RESET" flashes in the display.
  - (2) Press the "■ STOP/CLEAR" button while "RESET" is flashing in the display.
2. To memorise the stations in order
  - (1) Press the "TUNER/BAND" button to select a desired wave band.

- (2) Press the "TUNING (+)/(-) (▶▶▶▶ or ◀◀◀◀)" button to select a desired station.
  - (3) Press the "PROG./MEMO." button on the unit and preset number flashes.
  - (4) Press the "PROG./MEMO." button again on the unit while preset number is flashing.
  - (5) Repeat step (2) to (4) to memorized up to 30 stations.
3. To memorize in selection channel number.
    - (1) Select a desired station.
    - (2) Press the "PROG./MEMO." button on the unit.
    - (3) Select a desired channel number by pressing the "PRESET (+)/(-) or PRESET ▲/▼" button, while the preset number flashes.
    - (4) Press the "PROG./MEMO" button on the unit, while the preset number flashes.
  4. To memorise and add channel number.
    - (1) Select a desired station.
    - (2) Press the "PROG./MEMO." button on the unit.
    - (3) Press the "PROG./MEMO." button again on the unit while the channel number is flashing.
  5. To recall presets
 

Press and hold the "PRESET (+)/(-) or PRESET ▲/▼" button until the desired preset number appears or press it repeatedly.

## CD FUNCTIONS

### To play a CD

1. Press the FUNCTION button repeatedly so that 'CD' appears on the display.
  - If no disc is entered in the disc drawer, the "No DISC" indicator is displayed.
2. Load a disc by using the "CD DOOR EJECT" button.
3. To start play back
  - Press the "PLAY(▶)" button on the system or "PLAY/PAUSE▶||" button on the remote control.

### To pause the play

- Press the "CD ||/COUNTER" button on the system or "PLAY/PAUSE▶||" button on the remote control.

### To resume the play

- Press the "PLAY (▶)" button, "CD ||/COUNTER" button on the system or "PLAY/PAUSE▶||" button on the remote control.

### To stop playback

- Press the "■ STOP/CLEAR" button or "■" button on the remote control.

### To specify a track to play

- Press the "▶▶▶▶" or "◀◀◀◀" button repeatedly during stop or play until your desired track number appears-play will start from that track number.

### To play a desired location on CD

- Hold down the "◀◀" or "▶▶" button during play or pause.
- When the button is held down, there will be continuous change (of position on the CD).

### To repeat play

- Press the "REPEAT" button.
- Once, one track will repeat( RPT 1).
- Two times, all tracks will repeat( RPT ALL).
- Three times, "REPEAT" mode is cancelled.

### Programme play (this cannot be set during playback)

- A maximum of 20 tracks can be programmed.

- (1) Press the "PROG./MEMO." or "PROGRAM" button in stop status.
- (2) Specify a track to play with the "▶▶▶▶" or "◀◀◀◀" button.
- (3) Press the "PROG./MEMO." or "PROGRAM" button to store this track.
- (4) Repeat step (2) to (3).

The programmed tracks will be played repeatedly.

- (5) Press the "PLAY(▶)" button to play the tracks.
- (6) To check a programme sequence.
  - During programmed play press the "■ STOP/CLEAR" button, and then press the "PROG./MEMO." or "PROGRAM" button repeatedly.
- (7) To change an existing programme.
  - a) During stop mode press the "PROG./MEMO." or "PROGRAM" button until the desired program position appears in the display.
  - b) Select a new track using the "▶▶▶▶" or "◀◀◀◀" button.
  - c) Press the "PROG./MEMO." or "PROGRAM" button to put the new track in position.
- (8) To add a programme
  - If less than 20 programme positions are in memory, additional tracks may be added by following this procedure.
    - a) During stop mode press the "PROG. / MEMO." or "PROGRAM" button until "00" appears in the track number position on the display.
      - While the track number "00" is flashing press the "PROG./MEMO." or "PROGRAM" button again, this is changed to the CD normal play mode.
    - b) Select the track to be added by using the "▶▶▶▶" or "◀◀◀◀" button.
    - c) Press the "PROG./MEMO." or "PROGRAM" button two times.
    - d) Repeat step b) to c)
    - e) After the last(20th) track has been entered, press the "PROG./MEMO." or "PROGRAM" button once only.
- (9) To erase a programme sequence
  - In the stop mode press the "PROG./MEMO." or "PROGRAM" button, and then press the "■ STOP/CLEAR" button.
  - It is also erased if the CD drawer is opened.
- (10) If you press the "■ STOP/CLEAR" button during programmed play, the "PROGRAM" indicator goes out in the display and the programmed playback is cancelled. At that time, if you wish to resume the programmed playback press the "PROG./MEMO." or "PROGRAM" button and press the PLAY(▶) button.

## CASSETTE DECK FUNCTION

### 1. Tape play

- (1) Press the FUNCTION button to enter the tape mode so that "TAPE" appears on the display.
- (2) Press the **▲** PUSH EJECT, position to open the cassette door.
- (3) Insert a recorded cassette with the exposed tape side down.
- (4) Press the "PLAY **▶**" (or PLAY **◀** :OPTIONAL) button to begin tape playback.
- (5) To manually change the tape play directions, press the opposite PLAY button from the direction the tape is currently playing (optional).
- (6) To stop playback at any time, press the **■** STOP/CLEAR button.

### 2. To select a play mode (reverse mode)

Press the "PLAY MODE(TAPE)" button during tape function or recording from another function:(OPTIONAL)

- ↔** = forward or backward play once only
- ↔↔** = forward and backward play once only
- ↔↔↔** = forward and backward play for six times.

### 3. Tape counter reset function.

During tape stop or play press the "CD **||** /COUNTER" button.

### 4. Recording from Radio, CD or auxiliary source.

NOTE : Use only normal tapes.

- (1) Insert a blank tape into deck.
- (2) Set to tape function by pressing the FUNCTION button. (And press the "CD **||** / COUNTER" button to reset the tape counter)
- (3) Select a play mode by pressing the PLAY MODE (TAPE) button. (OPTIONAL)
  - If you want to record forward(**▶**) or backward(**◀**) only set to **↔** .
  - If you want to record from forward(**▶**) to

backward(**◀**) set to **↔** or **↔↔** .

- (4) Select a function that you want to record and play.
- (5) Press the "●REC/||" button again. "●REC" blinks on the display.
- (6) Press the "●REC/||" button again to begin recording to the direction of REC (**▶** or **◀** : OPTIONAL) indicator or press the **▶** or **◀** (OPTIONAL) button to begin recording to the selected play direction.

### 5. CD to tape synchronized recording.

**NOTE : Use only normal tapes.**

- (1) Load a disc.
- (2) Insert a blank tape into deck.
- (3) Select a play mode by pressing the PLAY MODE(TAPE) button repeatedly. In **↔** mode you can record forward (**▶**) only and in **↔** or **↔↔** mode you can record from forward(**▶**) to backward (**◀**).(OPTIONAL)
- (4) Press the FUNCTION button repeatedly to enter the CD mode so that 'CD' appears on the display. Stop the CD if the CD is playing.
- (5) Press the "CD SYNC." button to start recording.

The CD synchronized recording begins and stops automatically at the end.

When the tape is set to auto reverse backward(**◀**), the CD will restart the current track from the beginning.

- If you want to record certain titles only, programme these before commencing CD synchronized recording.
- If you want to record from the desired track, select the desired track with the "**▶▶▶▶** or **◀◀◀◀**" button before commencing CD synchronized recording.

## TIMER FUNCTION

With the TIMER function you can have the radio reception and recording, CD play, tape play or auxiliary source play and recording turned on and off at the time desired.

1. Check the current time.
2. Press the "⊙ **TIMER**" button to enter the timer setting mode. (If you want to correct the previous memorised TIMER, press and hold the "⊙ **TIMER**" button more than 2 seconds.)  
The previous memorised timer on time and the "⊙" appears in the display. Each function : TUNER-CD-TAPE flashes in the display in turn.
3. Press the "**SET**" button when the desired function is flashing.
4. If you select the TUNER or AUX:  
"REC" and "PLAY" flash in the display alternately for about 3 seconds.  
Press the "**SET**" button to confirm the desired operating mode.  
REC: TUNER or AUX recording and play  
PLAY: TUNER or AUX play only  
•If you have selected the CD or TAPE, ignore step 4.
5. When you have selected the TUNER;  
Select the previous memorised preset number with the "TUNING (+)/(-)" buttons and press the "**SET**" button. The hour with ON display flashes.  
•If you have selected the CD ,TAPE, AUX ignore step 4.
6. Set the hour to switch on by pressing the "**PRESET (+)/(-)**" buttons.
7. Press the "**SET**" button to confirm the hour to switch on. The minute with "ON" display flashes.
8. Set the minute to switch on by pressing the "**PRESET (+)/(-)**" buttons.
9. Press the "**SET**" button to confirm the minute to switch on. The hour with "OFF" now flashes in the display.
10. Set the hour to switch off by pressing the "**PRESET (+)/(-)**" buttons.
11. Press the "**SET**" button.
12. Set the minute to switch off by pressing the "**PRESET (+)/(-)**" buttons.
13. Press the "**SET**" button.
14. Adjust the volume.(page 9 reference)
15. Press the "**SET**" button. "⊙" appears and the timer setting has been completed.
16. Switch the system off.  
The selected function is automatically switched on and off at the time set.
17. To cancel or check the timer.  
Each time the "⊙ **TIMER**" button is pressed you can select the timer set or cancel. You can also check the timer setting status.  
To activate or check the timer, press the "⊙ **TIMER**" button so that "⊙" lights up in the display.  
To cancel the TIMER, press the timer button so that "⊙" in the display disappears.

## SLEEP FUNCTION (remote control only)

1. To select the time to turn off:  
Press the "SLEEP" button. (remote control only) In the display, you can see *SLEEP 90* for about 5 seconds. This means that the system turns off automatically after 90 minutes. Each time the button is pressed the time interval before it turns off is reduced by 10 minutes. i.e. 80...70... etc. Select the desired time to turn off.
2. To check the time to turn off:  
While the sleep function is active press the "SLEEP" button briefly. The time remaining until it turns off is displayed for about 5 seconds.
3. To turn off the sleep function:  
If you wish to stop the function press the "SLEEP" button repeatedly until 10 appears, and then press the "SLEEP" button once again while 10 is displayed.

### NOTE:

If you press the "SLEEP" button while the sleep time is displayed, the SLEEP time is reset.

## SPECIFICATION

- AMP  
Output Power(6Ω, 2ch, T.H.D 10%): 20W+20W  
Frequency Response: 42~25,000Hz
- FM  
Tuning Range(optional): 87.5~108 MHz or 65~74MHz, 87.5~108MHz  
S/N Ratio(98.1 MHz) 64/55dB(Mono/Stereo)
- AM(MW)  
Tuning Range(optional): 522~1,611kHz, 530~1,720 kHz or 530~1,610 kHz  
Usable Sensitivity: 55dB
- DECK  
S/N Ratio: 43dB  
Cross Talk: 55dB  
Channel Separation: 50dB  
Erase Ratio: 55dB
- CD  
Frequency Response: 40~18,000Hz  
S/N Ratio: 70dB  
T.H.D: 0.2%
- Dimensions(WxHxD):180x248x241mm
- Weight(net): 4.7 kg
- Power Requirements:  
Refer to the back panel of the unit.
- Speaker System  
Impedance: 6Ω  
Rated Input Power: 25W  
Max Input Power: 50W  
Frequency Response: 70~20000 Hz  
Dimensions(net): 160(W)x248(H)x175(D)mm  
Weight(net): 2.35 kg

### NOTE:

Designs and specifications are subject to change without notice for improvement.