



website <http://www.lgservice.com>

e-mail <http://www.lgservice.com/techsup.html>

ROOM AIR CONDITIONER OWNER'S MANUAL

Please read the operating instructions and safety precautions carefully and thoroughly before installing and operating your room air conditioner.

MANUEL D'UTILISATION CLIMATISEUR DE FENÊTRE

Veuillez lire attentivement et en entier ce guide d'utilisation et les mesures de sécurité ci-incluses avant de procéder à l'installation et au fonctionnement de votre climatiseur.

AIRE ACONDICIONADOR MANUAL DEL PROPIETARIO

Por favor lea las instrucciones de operación y las precauciones de seguridad cuidadosa y totalmente antes de instalar y operar su acondicionador de aire de ventana.

MODELS, MODÈLES, MODELOS:

| | |
|----------------|----------------|
| LXA0810ACL/AAL | LXA0811ACL/AAL |
| LXA1010ACL/AAL | LXA1011ACL/AAL |
| LXA1030ACL/AAL | LXA1031ACL/AAL |
| LXA1030AXL/A5L | LXA1031AXL/A5L |
| LXA1210ACL/AAL | LXA1211ACL/AAL |
| LXA1230ACL/AAL | LXA1231ACL/AAL |
| LXA1230AXL/A5L | LXA1231AXL/A5L |
| LXA1430ACL/AAL | LXA1431ACL/AAL |

Safety Precautions

Safety Precautions3

Electrical Data

Electrical Data5

About the Controls on the Air Conditioner

Controls6

Ventilation8

Air Direction8

Care and Maintenance

Air Filter Cleaning9

How to Attach Front Grille to Cabinet9

Installation

Installation10

Before you call for service...

Normal Operation17

Abnormal Operation17

FOR YOUR RECORDS

Staple your receipt to this page in case you need it later.
Write down the model and serial numbers here:

Model # _____

Serial # _____

You can find them on a label on the side of each unit.

Dealer's Name _____

Date Purchased _____

READ THIS MANUAL

Inside you will find many helpful hints on how to use and maintain your air conditioner properly. Just a little preventive care on your part can save you a great deal of time and money over the life of your air conditioner.

You'll find many answers to common problems in the chart of troubleshooting tips. If you review our chart of **Troubleshooting Tips** first, you may not need to call for service at all.

CAUTION


- Contact an authorized Service technician for repair or maintenance of this unit.
- The air conditioner is not intended for use by young children or invalids without supervision.
- Young children should be supervised to ensure that they do not play with the air conditioner.




Safety Precautions



To prevent injury to the user or other people and property damage, the following instructions must be followed.

- Incorrect operation due to ignoring of instruction will cause harm or damage. The seriousness is classified by the following indications.

 **WARNING** : This symbol indicates the possibility of death or serious injury.

 **CAUTION** : This symbol indicates the possibility of injury or damage to properties only.

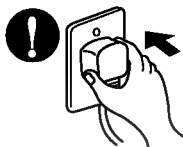
- Meanings of symbols used in this manual are as shown below.

| | |
|---|---|
|  | Be sure not to do this. |
|  | Be sure to follow the instruction. |

WARNING

Plug in the power plug

- Otherwise, it will cause electric shock or fire due to heat generation.



Do not operate or stop the operation of the unit

- It will cause electric shock or fire due to heat generation.



Do not damage or use an damaged power cord

- It will cause electric shock or fire.
- If the power cord is damaged, it must be replaced by the manufacturer or an authorized service center or a similarly qualified person in order to avoid a hazard.



Do not modify power cord length or the plug

- It will cause electric shock or fire due to heat generation.



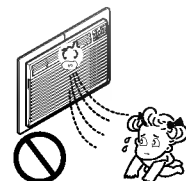
Do not operate with wet hands or feet

- It will cause electric shock.



Do not direct air from room

- This could damage your health.

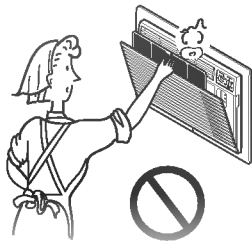




CAUTION

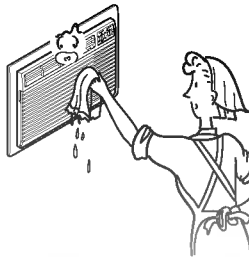
When the air filter is removed, be careful not to touch the sharp edges of the filter.

- They are sharp and may cause an injury.



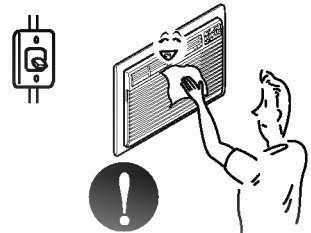
Do not clean the air filter with water.

- Water may enter the unit and degrade the insulation. It may cause an electric shock.



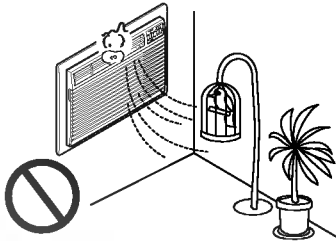
When the unit is turned on, do not touch the fan blades.

- Since the fan rotates at high speed during operation, it may cause an injury.



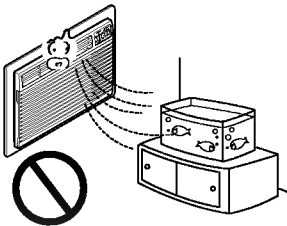
Do not put a pet or house plant in front of the unit. It will be damaged.

- This could injure the pets or plants.



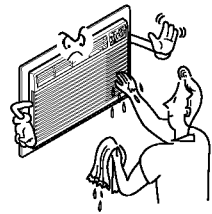
Do not use for special objects.

- Do not use this air conditioner to preserve precision devices, food, pets, plants, and art objects. It may cause deterioration of quality, etc.



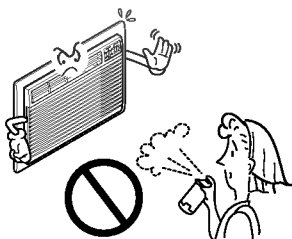
Do not operate switches.

- It may cause an electric shock.



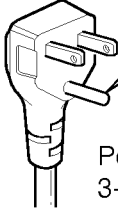
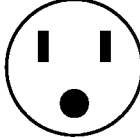
Do not apply an insecticide or fumigant to the unit.

- It may cause a fire or deformation of the cabinet.



Electrical Data

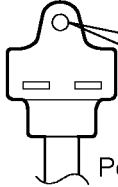


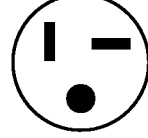
Electrical Data(For 115V model)

| Line Cord Plug | Use Wall Receptacle | Power Supply |
|--|--|--|
|  <p>Power supply cord with 3-prong grounding plug</p> | <p>Parallel type</p>  <p>Standard 125V, 3-wire grounding receptacle rated 15A, 125V AC</p> | <p>Use 15 AMP time delay fuse or 15 AMP circuit breaker.</p> |

USE OF EXTENSION CORDS

Because of potential safety hazards, we strongly discourage the use of an extension cord. However, if you wish to use an extension cord, use a CSA certified/UL-listed 3-wire (grounding) extension cord, rated 15A, 125V.

Electrical Data(For 230/208V model)

| Line Cord Plug | Use Wall Receptacle | Power Supply |
|--|---|--|
|  <p>Power supply cord with 3-prong grounding plug</p> | <p>Tandem type</p>  <p>Standard 250V, 3-wire grounding receptacle rated 15A, 250V AC</p> | <p>Use 15 AMP time delay fuse or circuit breaker.</p> |
|  <p>Power supply cord with 3-prong grounding plug</p> | <p>Perpendicular type</p>  <p>Standard 250V, 3-wire grounding receptacle rated 20A, 250V AC</p> | <p>Use 20 AMP time delay fuse or circuit breaker. Refer to the nameplate for correct fusing.</p> |

All wiring should be made in accordance with local electrical codes and regulations.

NOTE : Aluminum house wiring may pose special problems. Consult a qualified electrician.

■ ELECTRICAL SAFETY

IMPORTANT GROUNDING INSTRUCTIONS

Air conditioner has a three-prong grounding plug on its power supply cord, which must be plugged into properly grounded three-prong wall receptacle for your protection against possible shock hazard.

FUSE – Use a time-delay fuse or circuit breaker. Refer to the nameplate for proper power supply requirements.

208, 230, and 208/230 VOLT UNITS

These units are equipped with a three-prong grounding plug on the power supply cord, which must be plugged into a matching properly grounded three-prong wall receptacle for your protection against possible shock hazard. If such an outlet is not present, one must be installed by a qualified electrician in accordance with the National Electrical Code and local codes and ordinances.

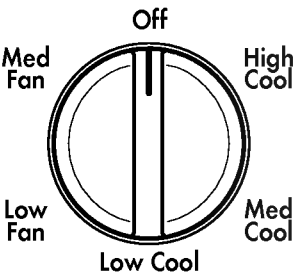
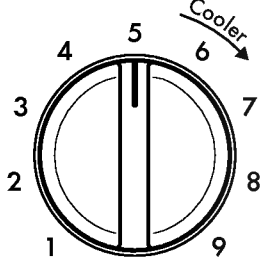
NOTE: DO NOT USE AN EXTENSION CORD ON 208, 230, AND 208/230 VOLT UNITS.

About the Controls on the Air Conditioner

The controls will look like one of the following:



Controls – Cooling Only

| | |
|---|---|
| <p>Operation</p>  | <p>Off - Turns air conditioner off. Med Fan - Med speed fan operation without cooling. Low Fan - Low speed fan operation without cooling. High Cool - Cooling with high speed fan operation. Med Cool - Cooling with med speed fan operation. Low Cool - Cooling with low speed fan operation.</p> |
| <p>Thermostat</p>  | <p>This automatically controls the temperature of the indoor air. Turn the knob so that arrow points to the larger marks for greater cooling. Point the arrow to the smaller marks for more moderate cooling. (i.e. the higher number, the greater cooling)</p> |

• FOR NORMAL COOLING

1. Turn the Operation Knob to the **High Cool** from the **Low Cool** setting.
2. Set the Thermostat control to the desired temperature mark **5** (the mid-point is a good starting position). If the room temperature is not satisfactory after a reasonable time, adjust the control to a cooler or warmer setting, as appropriate.

• FOR MAXIMUM COOLING

1. Turn the Operation Knob to the **High Cool** setting.
2. Set the Thermostat control to the largest **9** temperature mark.

• FOR QUIETER OPERATION

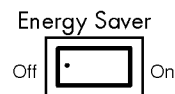
1. Turn the Operation Knob to the **Low Cool** setting.
2. Set the Thermostat control as needed.

• ENERGY SAVER (optional)

On : Both the fan and the compressor turn on and turn off together while operation knob is set to the Cool position.

You can get the more economical operation.

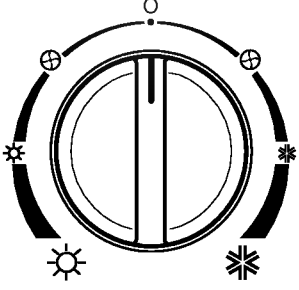
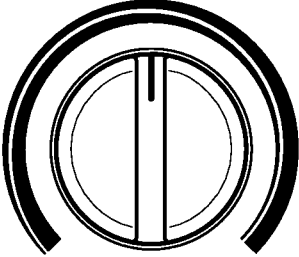
Off : The fan runs constantly while operation knob is set to the Cool position.



You can access the Energy Saver switch when you open the inlet grille.

The controls will look like one of the following:

Controls – Cooling & Heating

| | |
|---|--|
| <p>Operation</p>  | <p>Off (○): Turns the air conditioner off.</p> <p>Fan (⊕): The low fan speed operation without cooling (heating).</p> <p>Low Cool (*): Cooling with the low speed fan operation.</p> <p>High Cool (*): Cooling with the high speed fan operation.</p> <p>Low Heat (*): Heating with the low speed fan operation.</p> <p>High Heat (*): Heating with the high speed fan operation.</p> |
| <p>Thermostat</p>  <p>Warmer Cooler</p> | <p>Turn the thermostat control to the desired setting. The central position is a normal setting for average conditions. You can change this setting, if necessary, in accordance with your temperature preference.</p> <p>The thermostat automatically controls cooling or heating, but the fan runs continuously whenever the air conditioner is in operation. If the room is too warm, turn the thermostat control clockwise. If the room is too cool, turn the thermostat control counterclockwise.</p> |

• THE AIR CONDITIONER

This automatically controls the temperature of the indoor air.

The compressor will turn on and off to keep the room at the setting temperature.

In the heating operation, the electric heater will turn on and off to keep the room at the setting temperature.

• HEAT PUMP MODELS

When the outdoor temperature is lower than -4°C (24°F), the electric heater will turn on instead of the heat pump.

When the air conditioner has been performed its cooling or heating operation and is turned off or set to the fan position, wait at least 3 minutes before resetting to the cooling operation again.

A slight heat odor may come from the unit when first switching to HEAT after the cooling season is over. This odor, caused by fine dust particles on the heater, will disappear quickly. This is harmless.

Additional controls and important information.

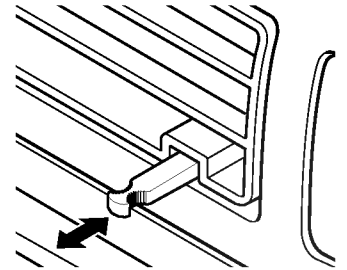
Ventilation

The ventilation lever is located in the right of the air discharge.

The ventilation lever must be in the CLOSE position in order to maintain the best cooling conditions.

When fresh air is necessary in the room, set the ventilation lever to the OPEN position.

The damper is opened and room air is exhausted outside.



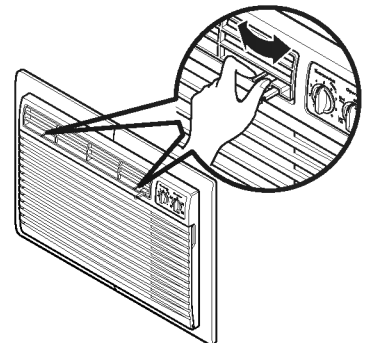
PULL OPEN / PUSH CLOSE

Air Direction

The direction of air can be controlled wherever you want by adjusting the horizontal louver and the vertical louver.

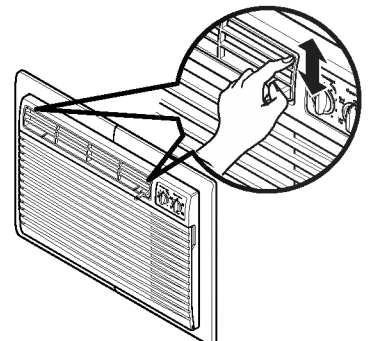
• HORIZONTAL AIR-DIRECTION CONTROL

The horizontal air direction is adjusted by moving vertical louver. The lever of vertical louver is located in the right and left side of the air discharge.



• VERTICAL AIR-DIRECTION CONTROL

The vertical air direction is adjusted by moving the horizontal louver.



Care and Maintenance

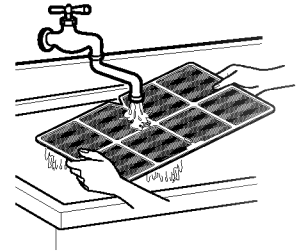
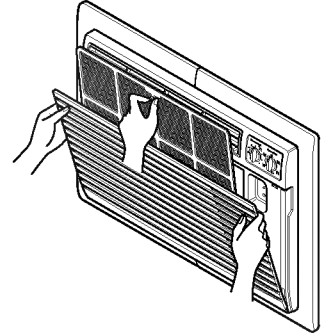
TURN THE AIR CONDITIONER OFF AND REMOVE THE PLUG FROM THE POWER OUTLET.

Air Filter Cleaning

The air filter should be checked at least twice a month to see if cleaning is necessary. Trapped particles in the filter will build up and block the airflow. This reduces the cooling capacity and also causes an accumulation of frost on the cooling coils.

If the filter becomes torn or damaged you should replace immediately. Replacement filters are available from your salesperson, dealer, and the authorized customer service centers.

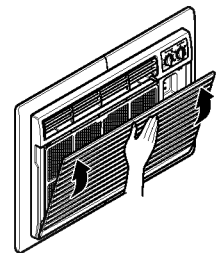
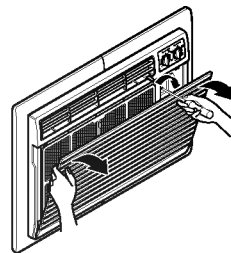
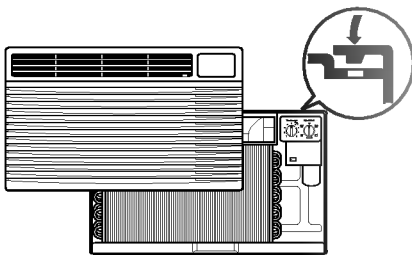
1. Open the inlet grille downward by pulling out the top of the inlet grille.
2. Remove the air filter from the front grille assembly by pulling the air filter up slightly.
3. Wash the filter using lukewarm water below 40 °C (104 °F).
4. Gently shake the excess water from the filter completely. Replace the filter.



How to Attach Front Grille to Cabinet

The front grille can be removed for cleaning or to check the model and serial numbers. For your safety, you should attach the front grille as the following procedures.

1. Pull down front grille from the cabinet top.
2. Push front grille's tips toward the cabinet in order to insert front grille's tabs into the cabinet.
3. Open the inlet grille.
4. Tighten the screw through the front grille into the plate of control box.
5. Close inlet grille.



Installation

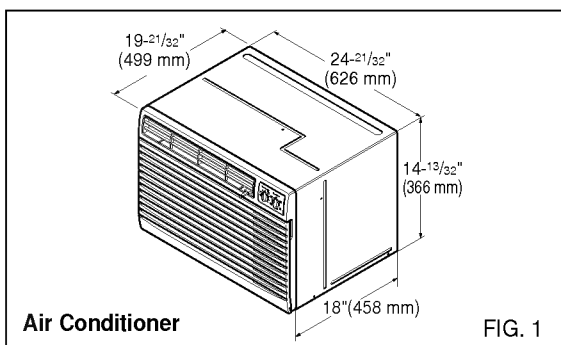
Remove packing sheet from the back of the sleeve, and packing corner and blue tape from the air conditioner.

INSTALLATION REQUIREMENTS

If you use an existing wall sleeve, you should measure its dimensions.

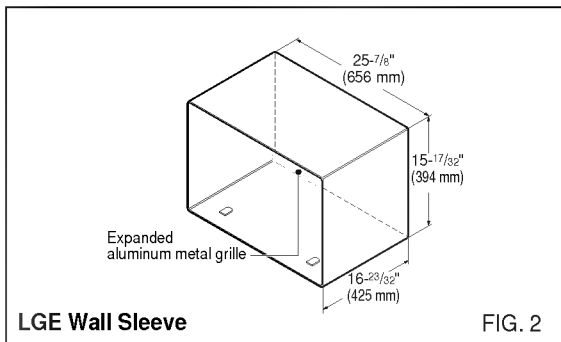
Install the new air conditioner according to these installation instructions to achieve the best performance. All wall sleeves used to mount the new air conditioner must be in good structural condition and have a rear grille to securely attach the new air conditioner. (FIG. 1)

With the LGE sleeve, you can maintain the best performance of the new air conditioner. (FIG. 2)



Air Conditioner

FIG. 1



LGE Wall Sleeve

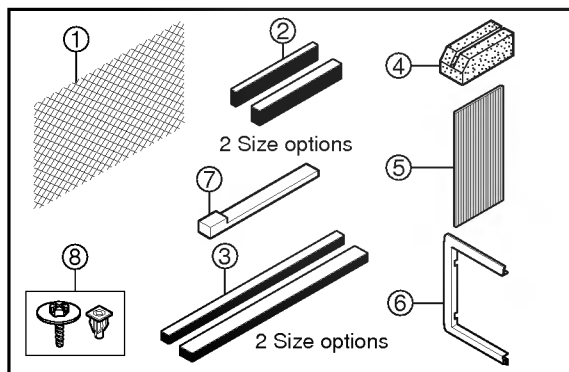
FIG. 2

ELECTRICAL SERVICE

Check your available electrical service. The power supply available must be the same as that shown on the unit nameplate (found on left side of cabinet).

All models are equipped with a 3-prong service plug to provide proper service and safe positive grounding. Do not change plug in any way. Do not use an adapter plug. If your present wall outlet does not match your plug, call a qualified electrician to make the necessary corrections. SAVE CARTON for storage and this OWNER'S MANUAL for future reference. The carton is the best way to store unit during winter or when not in use.

INSTALLATION HARDWARE



| ITEM | NAME OF PARTS | QTY |
|------|--------------------------------|-----|
| ① | PLASTIC GRILLE | 1 |
| ② | HORIZONTAL INSULATION STRIPS | 2 |
| ③ | AROUND INSULATION STRIPS | 2 |
| ④ | SUPPORT BLOCK | 2 |
| ⑤ | BAFFLE | 1 |
| ⑥ | TRIM FRAME | 2 |
| ⑦ | SHIM | 2 |
| ⑧ | PLASTIC NUTS AND WASHER SCREWS | 4 |



To avoid risk of personal injury, property damage, or product damage due to the weight of this device and sharp edges that may be exposed:

- Air conditioners covered in this manual pose an excessive weight hazard. Two or more people are needed to move and install the unit. To prevent injury or strain, use proper lifting and carrying techniques when moving unit.
- Carefully inspect location where air conditioner will be installed. Be sure it will support the weight of the unit over an extended period of time.
- Handle air conditioner with care. Wear protective gloves whenever lifting or carrying the unit. AVOID the sharp metal fins of front and rear coils.
- Make sure air conditioner does not fall during installation.

REQUIRED TOOLS:

- Tight Fitting gloves
- Standard screwdriver
- Phillips screwdriver
- Pliers
- Sharp knife
- 3/8-inch open end wrench or adjustable wrench
- 1/4-inch hex socket and ratchet
- Tape measure
- Electric drill
- 1/4-inch drill bit

INSTALLATION



We strongly recommend the removal of the old wall sleeve and the installation of a new LGE Wall Sleeve.

If you decide to keep the existing wall sleeve, you have to redirect the louvers at the back of the wall sleeve illustration. The use of pliers is recommended. If you DO NOT redirect, you run the risk of poor performance or product failure. This is not covered under the terms of the LGE warranty.

- Pick a location which will allow the conditioned air to blow into the area you want. Good installation with special attention to the proper position of the unit will lessen the chance that service will be needed.

ITEMS IN INSTALLATION HARDWARE

You may not need all parts in the kit. Discard unused parts

| ITEM (inches) | | Qty. |
|------------------------------|---|------|
| Plastic grille | 26 ³ / ₄ x 16 ¹ / ₂ | 1 |
| Horizontal Insulation Strips | 1 ³ / ₈ x 5 ⁵ / ₈ x 27 ³ / ₁₆ | 1 |
| | 1 ³ / ₈ x 1 ³ / ₈ x 27 ³ / ₁₆ | 1 |
| Around Insulation Strips | 1 ³ / ₈ x 3 ³ / ₄ x 61 ¹ / ₂ | 1 |
| | 1 ³ / ₈ x 1 ³ / ₈ x 61 ¹ / ₂ | 1 |
| Support Block | 1 ³ / ₄ x 1 ³ / ₈ x 4 ⁵ / ₁₆ | 2 |
| Baffle | 14 x 4 ¹ / ₂ x 1 ¹ / ₈ | 1 |
| Shim | 13 x 1 x 3 ³ / ₄ | 2 |
| Trim Frame | | 2 |
| Washer Screw | | 4 |
| Nuts(Plastic) | | 4 |

HOW TO INSTALL

- Identify the existing wall sleeve before installing the unit from the listed below.

| Brand | Wall Sleeve Dimensions (inches) | | |
|--|---------------------------------|----------|------------------|
| | Width | Height | Depth |
| White-Westinghouse Frigidaire Carrier (52F series) | 25-1/2 | 15-1/4 | 16, 17-1/2 or 22 |
| General Electric /Hotpoint | 26 | 15-5/8 | 16-7/8 |
| Whirlpool | 25-7/8 | 16-1/2 | 17-1/8 or 23 |
| Fedders/Emerson | 27 | 16-3/4 | 16-3/4 or 19-3/4 |
| LGE | 25-7/8 | 15-17/32 | 16-23/32 |
| Emerson/Fedders | 26-3/4 | 15-3/4 | 15 |
| Carrier (51S Series) | 25-3/4 | 16-7/8 | 18-5/8 |
| Friedrich | 27 | 16-3/4 | 16-3/4 |

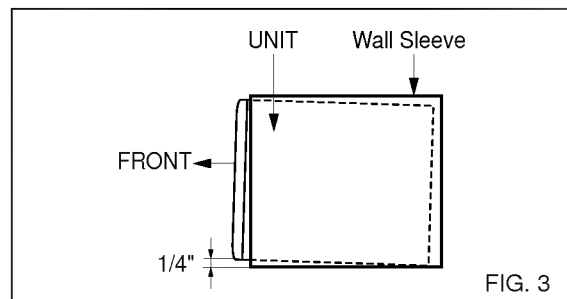
NOTE: All wall sleeves used to mount the new Air Conditioner must be in sound structural condition and have a rear grille that securely attaches to sleeve, or rear flange that serves as a stop for the Air Conditioner,

- Remove old air conditioner from existing wall sleeve.
- Clean the interior of an existing sleeve. (Do not disturb seals.)
- Wall sleeve must be securely fastened in wall before installing the air conditioner. Use the nails or screws through sleeve into wall, if needed. Repaint sleeve if needed.
- Prepare the wall sleeve for installation of the unit. If you plan to use your existing wall sleeve, and it is not LGE, use procedure B or C below.

| Procedure | Brand | Depth(inches) |
|-----------|--|------------------|
| A | LGE | 16-23/32 |
| B | White-Westinghouse Frigidaire Carrier (52F series) | 16, 17-1/2 or 22 |
| | General Electric /Hotpoint | 16-7/8 |
| | Whirlpool | 17-1/8 or 23 |
| | Carrier (51S series) | 18-5/8 |
| C | Fedders/Emerson | 16-3/4 or 19-3/4 |
| | Emerson/Fedders | 15 |
| | Friedrich | 16-3/4 |

- Install new unit into wall sleeve.

CAUTION: When installation is completed, replacement unit MUST have a rearward slope as shown.



PROCEDURE A

- If you are using the new sleeve supplied with your unit, skip to step 3. Otherwise, install the plastic grille from the kit. Cut the plastic grille to 25-1/2" wide and 15-1/4" high. Place the plastic grille to the inside of the wall sleeve at the rear flange.

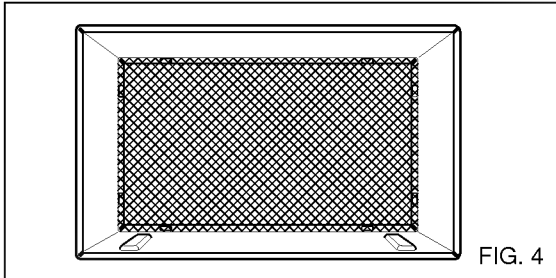


FIG. 4

- Fasten the 4 washer screws to secure the grille to the wall sleeve. If you need plastic nuts to mount plastic grille to the inside of the wall sleeve, there are plastic nuts in the installation kit. The nuts are installed from the inside of the sleeve and are pressed into the square holes of the rear flanges.

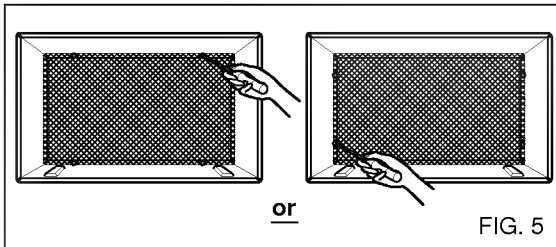


FIG. 5

- Remove the backing from the Horizontal Insulation strip $1\frac{3}{8} \times \frac{3}{8} \times 27\frac{3}{16}$ and attach that to the inside bottom of the sleeve as shown below. Remove the backing from the Around Insulation strip $1\frac{3}{8} \times \frac{3}{4} \times 61\frac{1}{2}$ and attach that to the inside front of the sleeve as shown below.

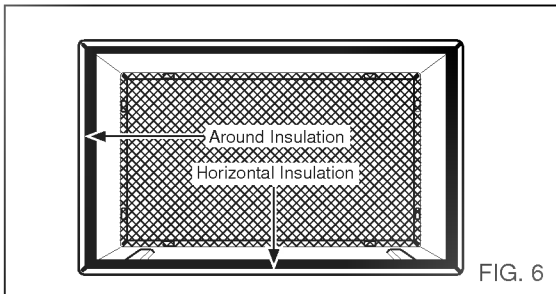


FIG. 6

- Install the new unit into the wall sleeve.
- To assemble trim, snap the tab of each piece into the slot of the other piece as shown below. Slide trim over the front of the air conditioner until trim is flush with sleeve as shown below.

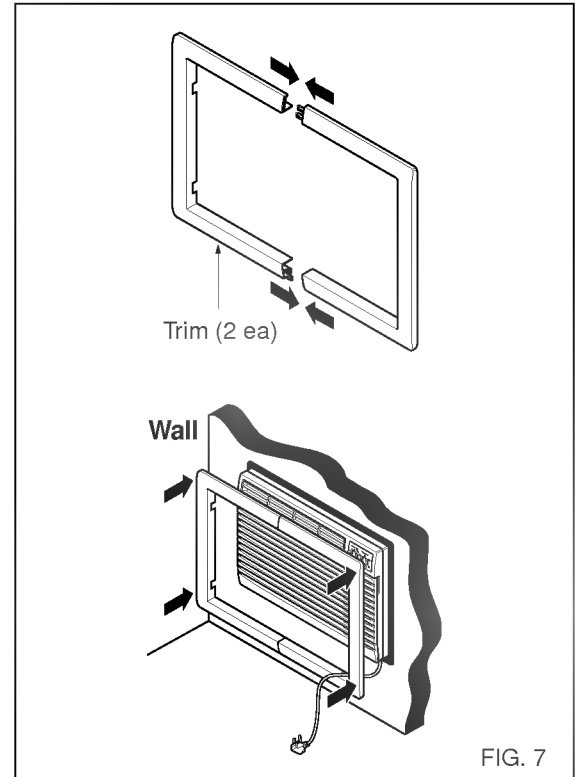


FIG. 7



- Air conditioners covered in this manual pose an excessive weight hazard. Two or more people are needed to move and install the unit. To prevent injury or strain, use proper lifting and carrying techniques when moving unit.
- When handling the air conditioner, be careful to avoid cuts from sharp metal fins on front and rear coils.
- Make sure air conditioner does not fall during removal.

PROCEDURE B

- Redirect the louvers at the back of the wall sleeve to 60° angle as shown in the FIG 8. The use of pliers is recommended.

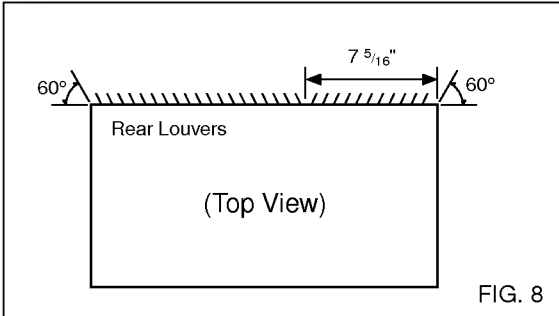
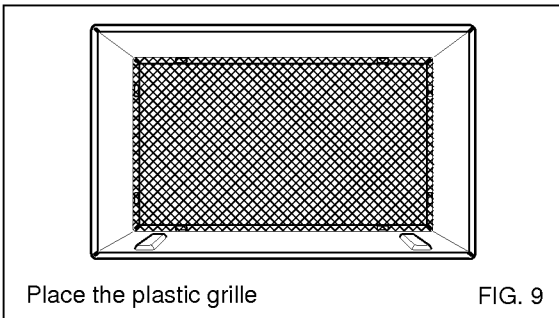


FIG. 8

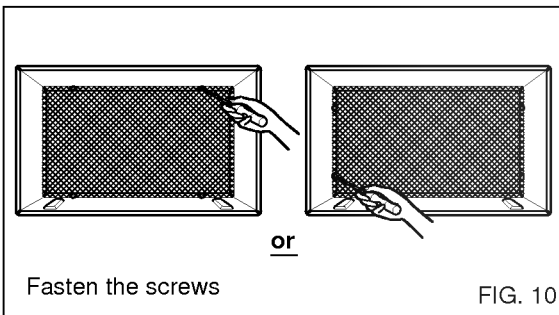
- If the wall sleeve already has a rear grille, skip to step 4. If the wall sleeve does not have a rear grille or louvered panel, install the plastic grille from the kit. Cut the plastic grille to 25-1/2" wide and 15-1/4" high. Place the plastic grille to the inside of the wall sleeve at the rear flange.



Place the plastic grille

FIG. 9

- Fasten the 4 washer screws to secure the grille to the wall sleeve. If you need plastic nuts to mount plastic grille to the inside of the wall sleeve, there are plastic nuts in the installation kit. The nuts are installed from the inside of the sleeve and are pressed into the square holes of the rear flanges.



Fasten the screws

FIG. 10

- Remove the backing from the Horizontal Insulation strip $1\frac{3}{8} \times \frac{5}{8} \times 27\frac{3}{16}$ and attach that to the inside bottom of the sleeve as shown below. Remove the backing from the Around Insulation strip $1\frac{3}{8} \times \frac{3}{4} \times 61\frac{1}{2}$ and attach that to the inside front of the sleeve as shown below.

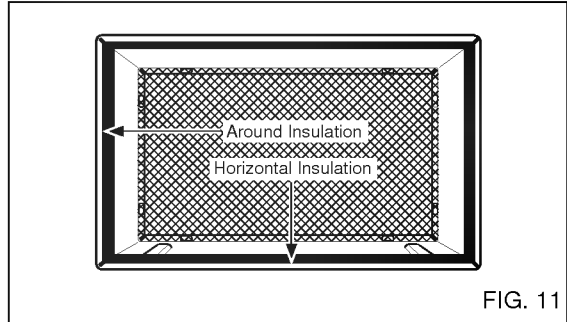


FIG. 11

- If the depth of your existing wall sleeve is less than or equal to 18", skip to step 7. Otherwise, cut the baffles and the support blocks according to length "A" in the table below.

| Depth "D" of the existing wall sleeve (inches) | Length "A" (inches) |
|--|------------------------|
| $18 < D \leq 18\text{-}\frac{5}{8}$ | $\frac{3}{4}$ |
| $18\text{-}\frac{5}{8} < D \leq 19\text{-}\frac{3}{4}$ | $1\text{-}\frac{3}{4}$ |
| $19\text{-}\frac{3}{4} < D \leq 22$ | 4 |

FIG. 12

- Remove the backing from the support blocks and attach them to the inside of the wall sleeve as shown FIG 9. Slide the baffle into slots of the support blocks.

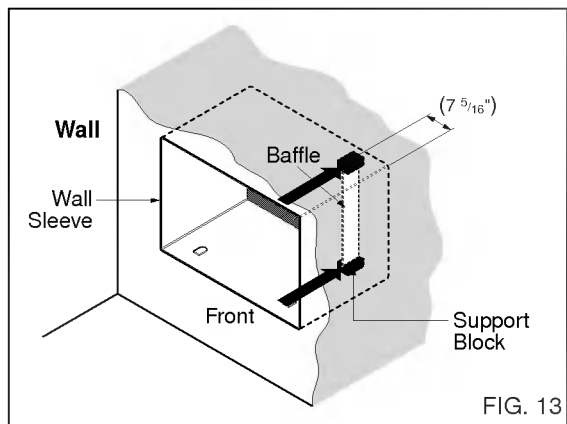
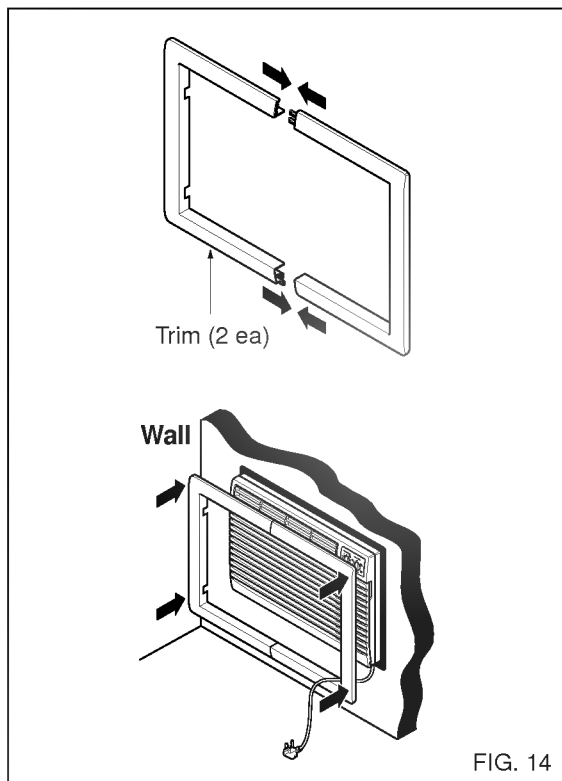


FIG. 13

- Install the new unit into the wall sleeve.

PROCEDURE B

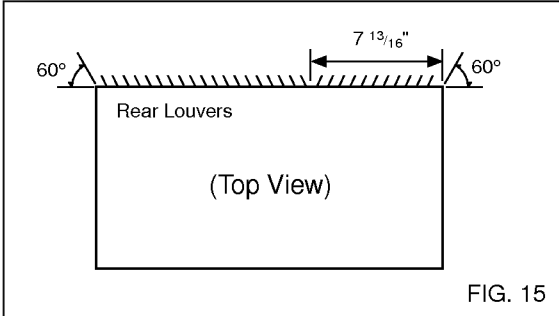
- To assemble trim, snap the tab of each piece into the slot of the other piece as shown below. Slide trim over the front of the air conditioner until trim is flush with sleeve as shown below.



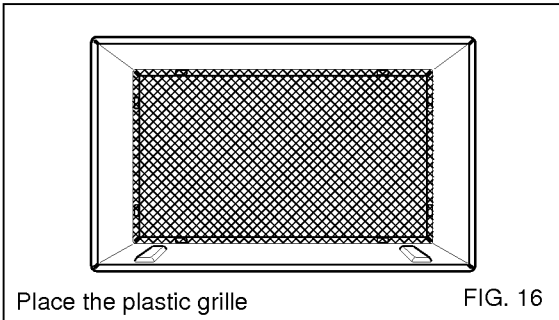
- Air conditioners covered in this manual pose an excessive weight hazard. Two or more people are needed to move and install the unit. To prevent injury or strain, use proper lifting and carrying techniques when moving unit.
- When handling the air conditioner, be careful to avoid cuts from sharp metal fins on front and rear coils.
- Make sure air conditioner does not fall during removal.

PROCEDURE C

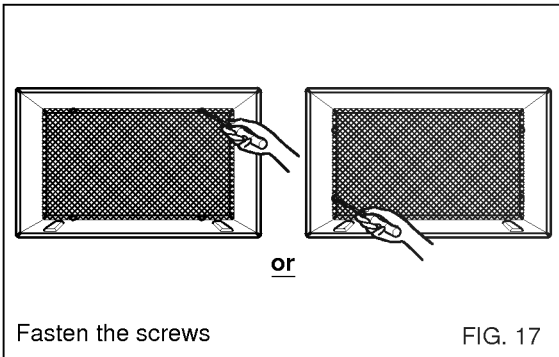
- Redirect the louvers at the back of the wall sleeve to 60° angle as shown in the FIG 15. The use of pliers is recommended.



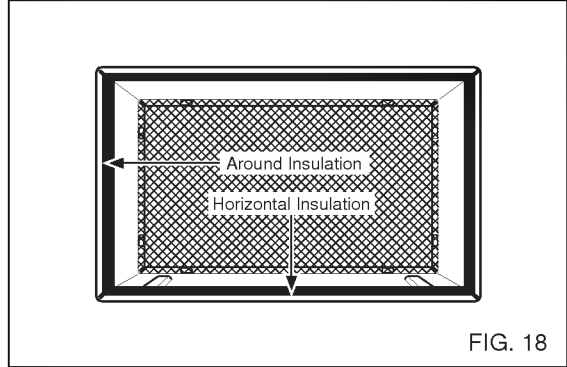
- If the wall sleeve already has a rear grille, skip to step 4. If the wall sleeve does not have a rear grille or louvered panel, install the plastic grille from the kit. Cut the plastic grille to 26-1/2" wide and 15-1/2" high. Place the plastic grille to the inside of the wall sleeve at the rear flange.



- Fasten the 4 washer screws to secure the grille to the wall sleeve. If you need plastic nuts to mount plastic grille to the inside of the wall sleeve, there are plastic nuts in the installation kit. The nuts are installed from the inside of the sleeve and are pressed into the square holes of the rear flanges.



- Remove the backing from the Horizontal Insulation strip $1\frac{3}{8} \times 1\frac{3}{8} \times 27\frac{3}{16}$ and attach that to the inside bottom of the sleeve as shown below. Remove the backing from the Around Insulation strip $1\frac{3}{8} \times 1\frac{3}{8} \times 61\frac{1}{2}$ and attach that to the inside front of the sleeve as shown below.

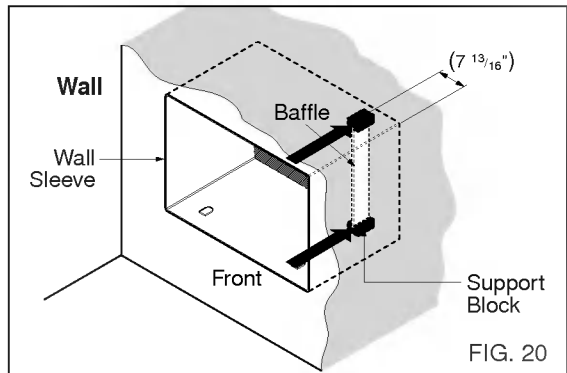


- If the depth of your existing sleeve is less than or equal to 18", skip to step 7. Otherwise, cut the baffles and the support blocks according to Length "A" in the table below.

| Depth "D" of the existing wall sleeve (inches) | Length "A" (inches) |
|--|------------------------|
| $18 < D \leq 18\text{-}\frac{5}{8}$ | $\frac{3}{4}$ |
| $18\text{-}\frac{5}{8} < D \leq 19\text{-}\frac{3}{4}$ | $1\text{-}\frac{3}{4}$ |
| $19\text{-}\frac{3}{4} < D \leq 22$ | 4 |

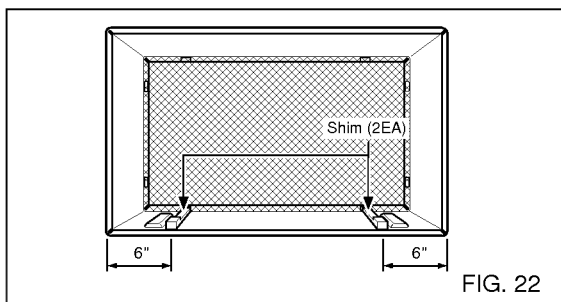
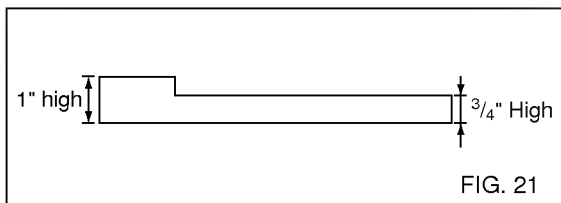
FIG. 19

- Remove the backing from the support blocks and attach them to the inside of the wall sleeve as shown FIG 20. Slide the baffle into slots of the support blocks



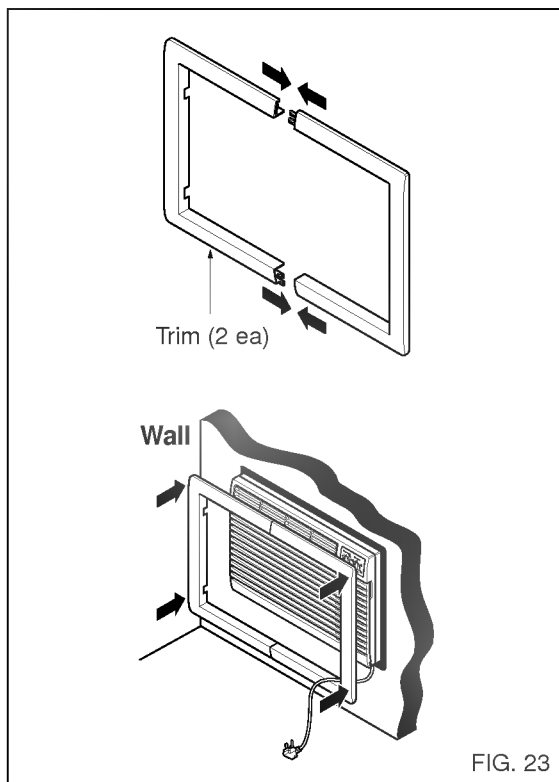
PROCEDURE C

- Remove the backing from the 13" shim strips and attach them as shown below in Fig. 22. The higher portion of shim is to be placed in front of the rib on the base of wall sleeve.



- Install the new unit into the wall sleeve

- To assemble trim, snap the tab of each piece into the slot of the other piece as shown below. Slide trim over the front of the air conditioner until trim is flush with sleeve as shown below.



- Air conditioners covered in this manual pose an excessive weight hazard. Two or more people are needed to move and install the unit. To prevent injury or strain, use proper lifting and carrying techniques when moving unit.
- When handling the air conditioner, be careful to avoid cuts from sharp metal fins on front and rear coils.
- Make sure air conditioner does not fall during removal.

Before you call for service...

Troubleshooting Tips Save time and money!
Review the chart below first and you may not need to call for service.

Normal Operation

- You may hear a pinging noise caused by water being picked up and thrown against the condenser on rainy days or when the humidity is high. This design feature helps remove moisture and improve efficiency.
- You may hear the thermostat click when the compressor cycles on and off.
- Water will collect in the base pan during high humidity or on rainy days. The water may overflow and drip from the outdoor side of the unit.
- The fan may run even when the compressor does not.

Abnormal Operation

| | | |
|---|---|--|
| <i>Air conditioner does not start</i> | ■ <i>The air conditioner is unplugged.</i> | • Make sure the air conditioner plug is pushed completely into the outlet. |
| | ■ <i>The fuse is blown/circuit breaker is tripped.</i> | • Check the house fuse/circuit breaker box and replace the fuse or reset the breaker. |
| | ■ <i>Power failure.</i> | • If power failure occurs, turn the mode control to OFF . When power is restored, wait 3 minutes to restart the air conditioner to prevent tripping of the compressor overload. |
| <i>Air conditioner does not cool as it should</i> | ■ <i>Airflow is restricted.</i> | • Make sure there are no curtains, blinds, or furniture blocking the front of the air conditioner. |
| | ■ <i>The THERMOSTAT may not be set high enough.</i> | • Turn the knob to a higher number. The highest setting provides maximum cooling. |
| | ■ <i>The air filter is dirty.</i> | • Clean the filter at least every 2 weeks. See the operating instructions section. |
| | ■ <i>The room may have been hot.</i> | • When the air conditioner is first turned on, you need to allow time for the room to cool down. |
| | ■ <i>Cold air is escaping.</i> | • Check for open furnace floor registers and cold air returns. • Set the air conditioner's vent to the closed position. |
| | ■ <i>Cooling coils have iced up.</i> | • See Air Conditioner Freezing Up below. |
| <i>Air conditioner freezing up</i> | ■ <i>Ice blocks the air flow and stops the air conditioner from cooling the room.</i> | • Set the mode control at Med Fan or High Cool with the thermostat at 1 or 2 . |