

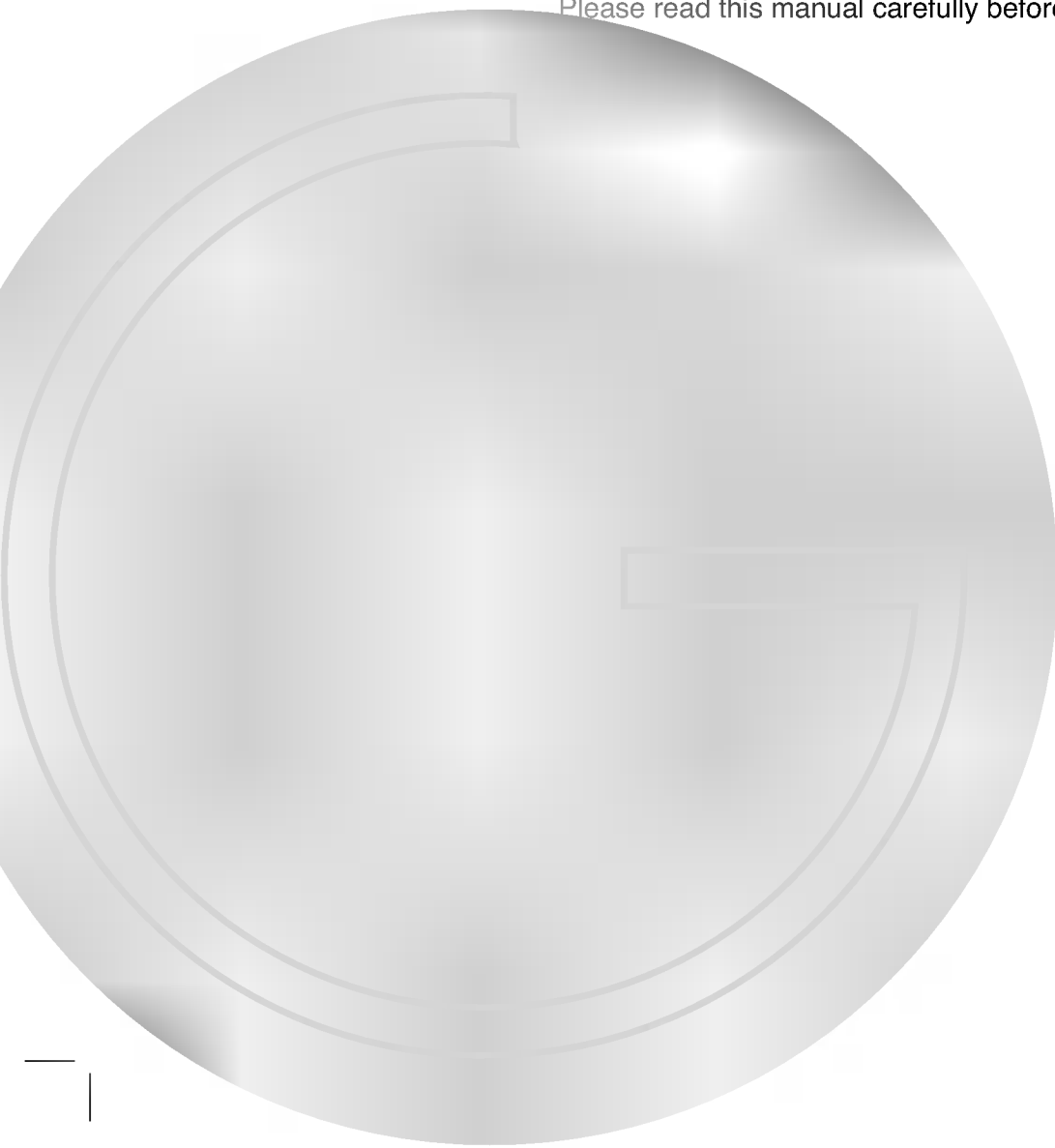


RADIO CASSETTE RECORDER

Owner's Manual



**MODEL: TW-864A/T/L/AX
TW-869A/T/L/AX**

Please read this manual carefully before operating your set.

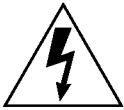


WARNING

To reduce the risk of fire or electric shock, do not expose this appliance to rain or moisture.

	CAUTION RISK OF ELECTRIC SHOCK, DO NOT OPEN	
CAUTION: TO REDUCE THE RISK OF ELECTRIC SHOCK, DO NOT REMOVE COVER(OR BACK) NO USER SERVICEABLE PARTS INSIDE. REFER SERVICING TO QUALIFIED SERVICE PERSONNEL.		

The graphical symbols marked on the bottom or back of the set mean the following explanation.



The lightning flash with arrowhead within an equilateral triangle is intended to alert the user to the presence of uninsulated "dangerous voltage" within the product's enclosure that may be of sufficient magnitude to constitute a risk of electric shock to persons.



The exclamation point within an equilateral triangle is intended to alert the user to the presence of important operating and maintenance (servicing instructions in the literature accompanying the appliance).

To avoid electrical shock; do not open the cabinet. Refer servicing to qualified personnel only.

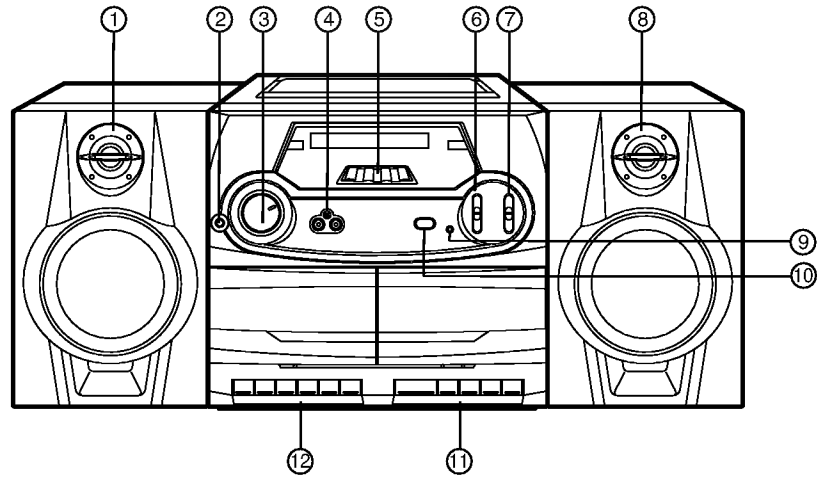
Shock hazard - do not open.

CAUTION

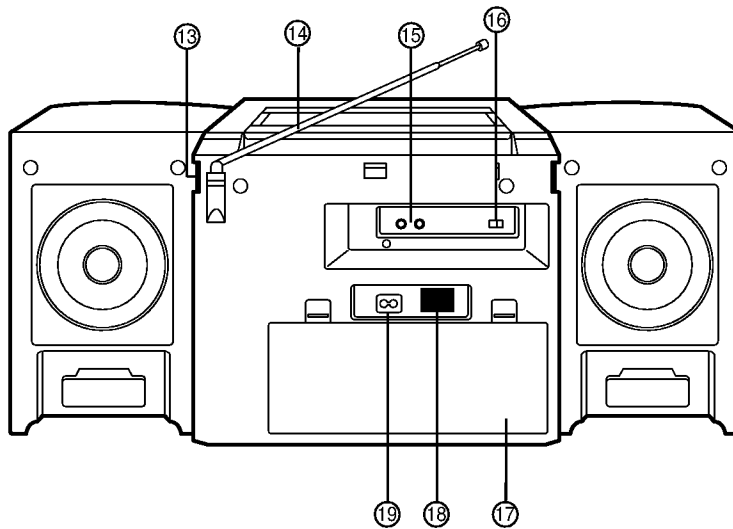
Use of controls or adjustments or performance of procedures other than those specified herein may result in hazardous radiation exposure.

The power switch of this unit is secondly mounted and does not disconnect the whole unit from the mains supply in the OFF position.

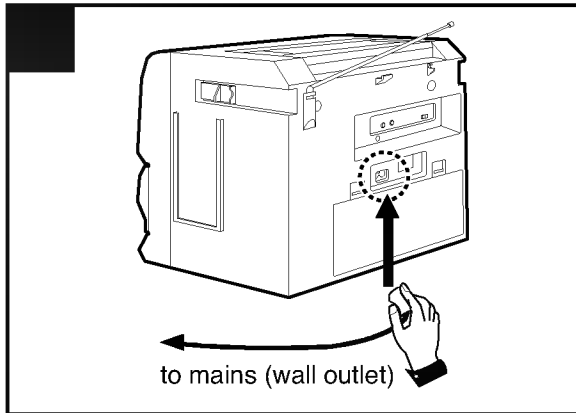
■ Front View



■ Back View



- | | |
|--------------------------------------|----------------------------------|
| 1. SPEAKER (L) | 11. DECK B controls |
| 2. Microphone input socket(optional) | 12. DECK A controls |
| 3. VOLUME knob | 13. SPEAKER release lever |
| 4. CD/LINE IN input socket | 14. Telescopic antenna |
| 5. TUNING control knob | 15. SPEAKER input socket (R/L) |
| 6. FUNCTION switch | 16. RIF/FM MODE(optional) switch |
| 7. BAND switch | 17. Battery compartment |
| 8. SPEAKER (R) | 18. Voltage selector (optional) |
| 9. FM STEREO indicator | 19. AC power input socket |
| 10. UBB switch | |



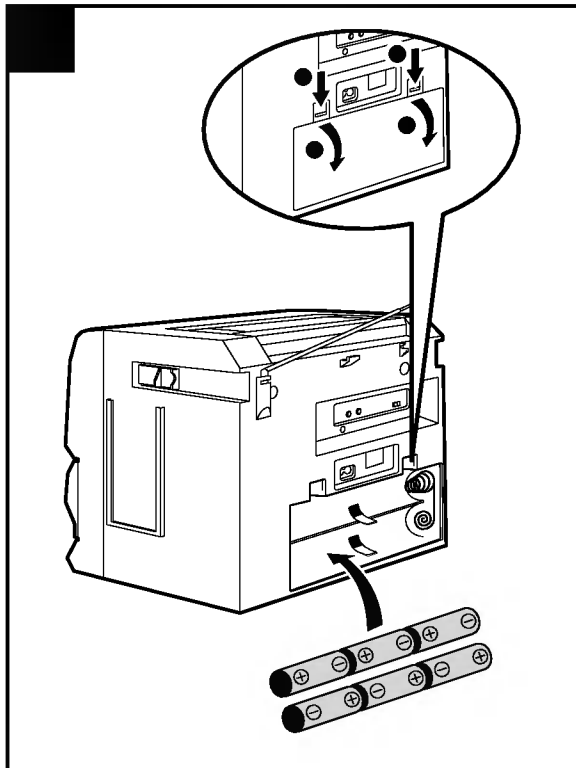
The AC Power cord Connection

Set (see fig. ■)

1. Before connecting the AC power cord, check that the operating voltage of your unit is identical with the voltage of your local power supplied.
 2. Connect one end of the AC power cord (supplied) to the AC IN socket located at the backside of your set.
 3. Plug the other end into the wall outlet.
- ※ Unplug the AC power cord from the wall outlet if you do not use for an extended period of time.

Adjusting the voltage(optional)

If your set is equipped with a voltage selector at the back side, be sure to set it to your local power supplied before connecting the AC power cord.



Battery Installation

Set (see fig. ■)

1. Press open the battery cover.
2. Put six "D"(R20) batteries into the compartment making sure the + and - are correctly positioned.
3. Replace the cover.

NOTE:

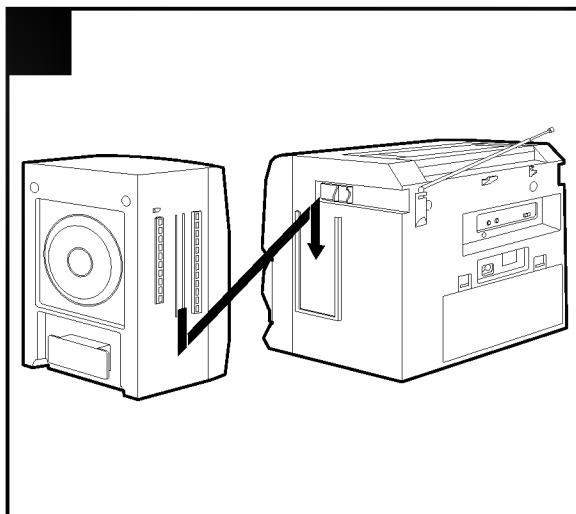
1. To avoid damage from possible battery leakage, remove the batteries if you do not plan to use the set for an extended period of time.
2. When the batteries are weak, replace all the batteries with new ones.
3. During the AC power cord connect to the wall outlet, the batteries are not worn out.

Speaker Connection

Speaker Attachment

Set (see fig. ■)

1. Position the speaker guide slots with the guide ribs on the set.
2. Gently push the speaker downwards until the speaker release lever automatically locks the speaker into place.



Speaker Lead Connection

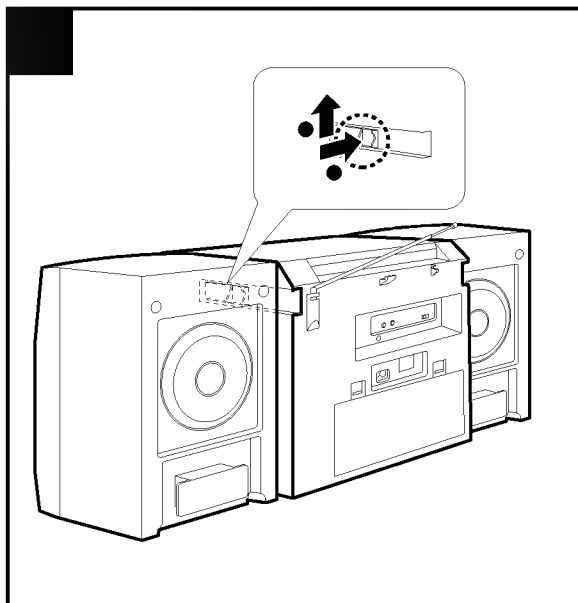
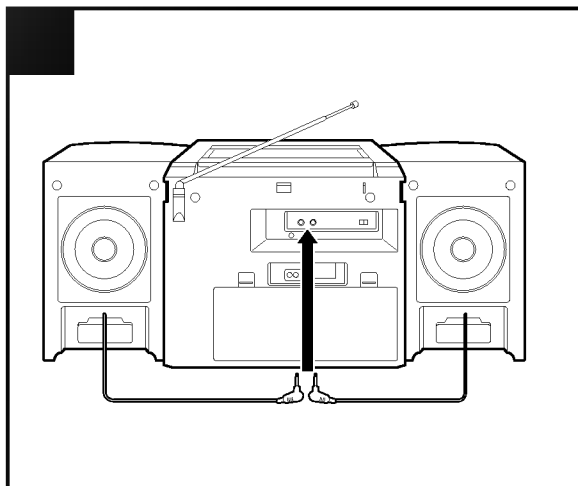
Set (see fig. ■)

1. Plug the right speaker lead into the "R" speaker socket located at the backside of your set.
2. Plug the left speaker lead into the "L".

Speaker Detachment

Set (see fig. ■)

1. Unplug the speaker leads.
2. Press the speaker release lever and slide the speaker up.



Sound Adjustment

VOLUME:

Turn **VOLUME** clockwise to increase the sound level, or anti-clockwise to decrease it.

UBB(Ultra Bass Booster)

Additional bass accentation.

1. Set **FUNCTION** to **RADIO**.
2. Set **BAND** to one which you wish to listen.
3. Tune in a station using **TUNING** control.
4. Set **FUNCTION** to **TAPE(OFF)** to turn off your set.

STEREO or MONO:

1. Set **BAND** to **FM ST** to listening to an FM stereo broadcast. The **FM STEREO** indicator will light.
2. Set **BAND** to **FM** when listening to an FM stereo broadcast. Selecting this function will substantially reduce the noise, however the stereo effect will be lost.

NOTE:

Adjust the antenna to get more clear reception.

1. **AM(MW):**
The antenna is built within the set and rotate the set for better reception.
2. **FM/SW1/SW2:**
Pull the telescopic antenna out and adjust the angle and direction for better reception.

Cassette Operation

1. Set **FUNCTION** to **TAPE**.
2. Open the cassette door by pressing **■ ▲ ST/EJ**. (Deck A or B)
3. Insert a cassette and push close the door.
4. Press **PLAY(▶)** (or **◀ PLAY ▶**:TW-869) to playback.
5. Press **PAUSE(⏸)** to pause. Press **PAUSE** again to resume play.
6. Press **F.FWD(▶▶)** or **REW(◀◀)** to fast forward or rewind the tape.
7. Press **■ ▲ ST/EJ** to stop play.
Your cassette deck will automatically stop at the end of the tape.
※ This function will not be operated during operating the fast forward and rewind.

Auto Reverse

This function is for the model TW-869(Deck B) only.

To change the playback side:

Press **DIR(↔)** during playback.

PLAY MODE:

1. Set **PLAY MODE** **↔** to by pressing.
Both sides of a cassette are played and stops automatically at the end of the tape.
2. Set **PLAY MODE** **↔** to by pressing.
Both sides of a cassette are played continuously.

Continuous Play

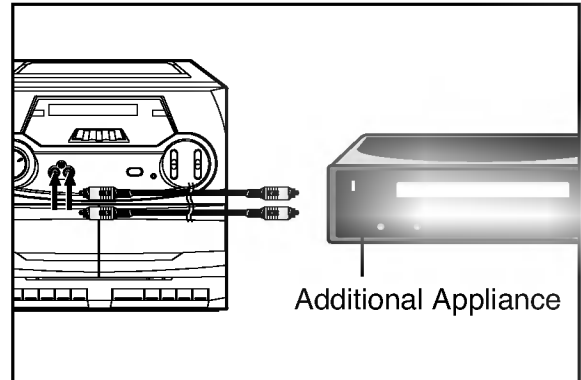
1. Set **FUNCTION** to **TAPE**.
2. Insert a cassette into each deck.
3. Be sure **PLAY MODE** of deck B (TW-869) is in **↔** position.
4. Press **PLAY(▶)** (or **◀ PLAY ▶**:TW-869) for deck B. The cassette will begin to play.
5. Press **PLAY(▶)** and **PAUSE(⏸)** for deck A. After the cassette is finished playing in deck B, the cassette in deck A is played.
6. Press **■ ▲ ST/EJ** to stop play.

Auxiliary Equipment

You may connect additional appliances;

CD player etc. so that you may listen or record the sound using your set.

Use **RCA** phono type connectors when connecting any additional appliance.



1. Set **FUNCTION** to **CD/LINE IN**.
2. The additional appliance connect to the **CD/LINE IN** sockets.
3. Start playing a additional appliance.

You may record from the microphone onto a cassette placed into cassette deck A.

You may also use your set as a karaoke (sing along) machine.

1. Plug a microphone into the **MIC** socket.
2. Start playing a **TAPE, RADIO** or additional appliance.
3. Start speaking or singing into the microphone.
4. If you wish the recording, insert the blank cassette into deck A and press **● REC**.

NOTE:

1. Microphone is not supplied.
2. You can't the microphone recording during dubbing for double speed recording.

Cassette Operation

NOTE:

1. Recording levels have been preset at the factory under optimum conditions and cannot be changed.
2. Your set can record onto Normal; CrO₂ tapes and metal tapes cannot be used.

Basic Recording

1. Set **FUNCTION** to one which you wish to record from.
2. Insert a blank cassette into deck A.
3. Press ● **REC. PLAY**(▶) goes down automatically.
4. Start playing your **RADIO** or additional appliance.
5. Press ■ ▲ **ST/EJ** to finish recording. Your cassette deck will automatically stop at the end of the tape.

※ Set **RIF** to 1, 2 or 3, depending on which one best reduces the noise when **AM(MW)** broadcast recording.

Dubbing

Your set can record from one cassette to another at normal speed or double speed.

1. Insert the blank cassette into deck A.
2. Insert the pre-recorded cassette into deck B.
3. Set **FUNCTION** to **NOR** for normal speed recording or **HI-DUBB** for double speed recording.
4. Press **PAUSE**(||) and the ● **REC.** for deck A.
5. Press **PLAY**(▶) for deck B.
The cassette will begin to record.
6. To stop the dubbing, press the ■ ▲ **ST/EJ** for decks A and B.

NOTE:

Do not change recording speed during the dubbing.

● RADIO SECTION

Frequency range(optional)

MW(AM)	515~1650kHz
FM	87.4~108.2MHz or 64~109MHz
SW1	2.2~7.3MHz
SW2	6.8~22.5MHz
LW	140~290kHz

Intermediate frequencies

MW(AM)/LW/SW	455kHz
FM	10.7MHz

Antenna

MW(AM)/LW	Ferrite bar antenna
FM/SW1/SW2	Telescopic antenna

● CASSETTE SECTION

Recording system...	4 tracks 2 channel stereo
Frequency response	125~8,000Hz
S/N ratio	40/45dB(rec/play)

● GENERAL

Speaker	3.2Ω x 2
Output power (T.H.D10%)	2.5W x 2
AC operation	Refer to the indicated voltage on the back of set
Battery operation	DC 9V, six "D"(R20) batteries(not supplied)
Power consumption	15W
Dimensions(WxHxD)	605 x 249.5 x 211mm
Weight	5.95kg

NOTE:

Design and specifications are subject to change without notice for improvement.



P/NO : 3828R-A068H