



website <http://www.lgservice.com>

e-mail <http://www.lgservice.com/techsup.html>

# ROOM AIR CONDITIONER OWNER'S MANUAL

Please read the operating instructions and safety precautions carefully and thoroughly before installing and operating your room air conditioner.

# AIRE ACONDICIONADOR MANUAL DEL PROPIETARIO

Por favor lea las instrucciones de operación y las precauciones de seguridad cuidadosa y totalmente antes de instalar y operar su acondicionador de aire de ventana.

## MODELS, MODELOS:

10k Series: R1000, M1000R, WG1000R, M1000ER

12k Series: R1203, M1203R, WG1203R

R1204, M1204R, WG1204R, M1204ER

14k Series: R1404, M1404R, WG1404R, M1404ER, M1403R

18k Series: R1804, M1804R, WG1804R, M1804ER

24k Series: R2403, M2403R, WG2403R

R2404, M2404R, WG2404R, M2404ER



## FOR YOUR RECORDS

Write the model and serial numbers here:

**Model #**

**Serial #**

You can find them on a label on the side of each unit.

**Dealer's Name**

**Date Purchased**

- Staple your receipt to this page in the event you need it to prove date of purchase or for warranty issues.

## READ THIS MANUAL

Inside you will find many helpful hints on how to use and maintain your air conditioner properly. Just a little preventive care on your part can save you a great deal of time and money over the life of your air conditioner.

You'll find many answers to common problems in the chart of troubleshooting tips. If you review our chart of

**Troubleshooting Tips** first, you may not need to call for service at all.

## PRECAUTION

- Contact the authorized service technician for repair or maintenance of this unit.
- Contact the installer for installation of this unit.
- The air conditioner is not intended for use by young children or invalids without supervision.
- Young children should be supervised to ensure that they do not play with the air conditioner.
- When the power cord is to be replaced, replacement work shall be performed by authorized personnel only using only genuine replacement parts.
- Installation work must be performed in accordance with the National Electric Code by qualified and authorized personnel only.



# Safety Precautions

To prevent injury to the user or other people and property damage, the following instructions must be followed.

- Incorrect operation due to ignoring instruction will cause harm or damage. The seriousness is classified by the following indications.

**⚠ WARNING** This symbol indicates the possibility of death or serious injury.

**⚠ CAUTION** This symbol indicates the possibility of injury or damage to properties only.

- Meanings of symbols used in this manual are as shown below.



**Be sure not to do.**



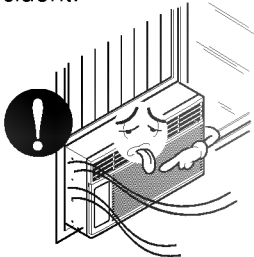
**Be sure to follow the instruction.**

## ⚠ WARNING

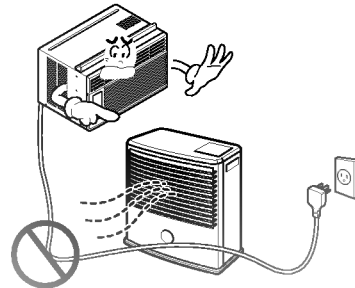
### ■ Installation

**Do not place the power cord near a heater.**

- No installation may cause fire and electric shock accident.

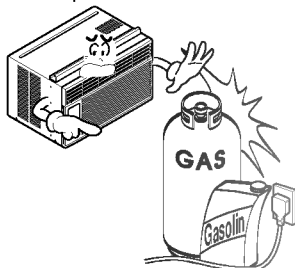


- It may cause fire and electric shock.

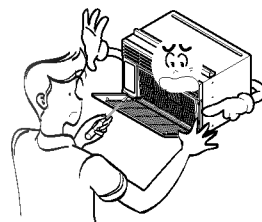


**Do not use the power cord near flammable gas or combustibles such as gasoline, benzene, thinner, etc.**

- It may cause explosion or fire.



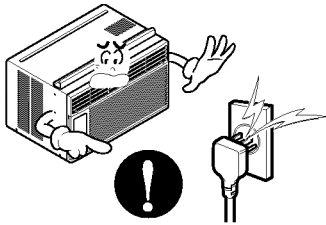
- It may cause failure and electric shock.



## ■ Operation

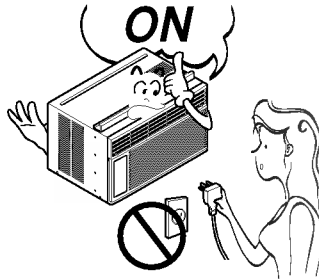
### Plug in the power plug properly.

- Otherwise, it will cause electric shock or fire due to heat generation or electric shock.



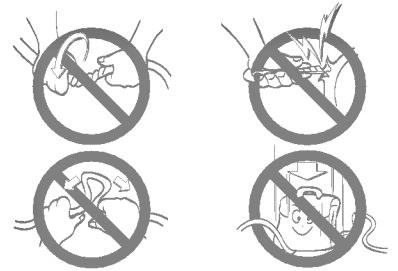
### Do not operate or stop the unit by inserting or pulling out the power plug.

- It will cause electric shock or fire due to heat generation.



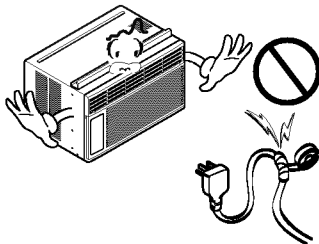
### Do not damage or use an unspecified power cord.

- It will cause electric shock or fire.



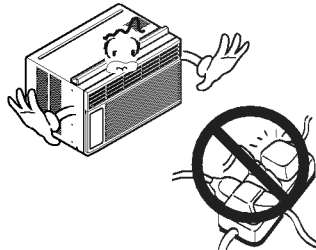
### Do not modify power cord length.

- It will cause electric shock or fire due to heat generation.



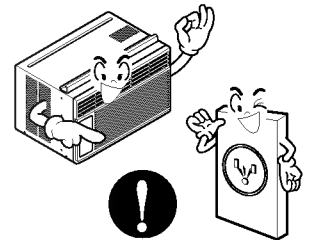
### Do not share the outlet with other appliances.

- It will cause electric shock or fire due to heat generation.



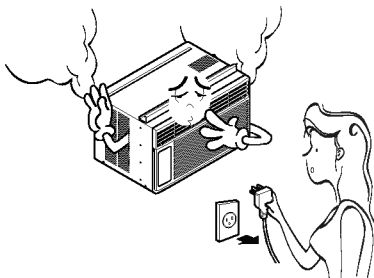
### Always plug into a grounded outlet.

- No grounding may cause electric shock (See Installation Manual).



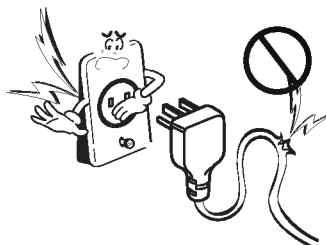
### Unplug the unit if strange sounds, odors, or smoke come from it.

- Otherwise it may cause fire and electric shock accident.



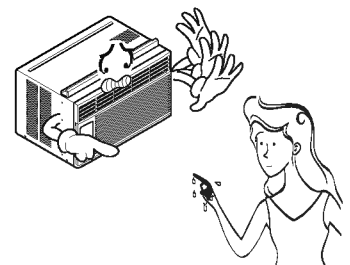
### Do not use the socket if it is loose or damaged.

- It may cause fire and electric shock.



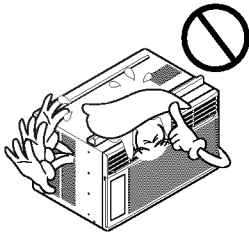
### Do not operate with wet hands or in damp environment.

- It will cause electric shock.



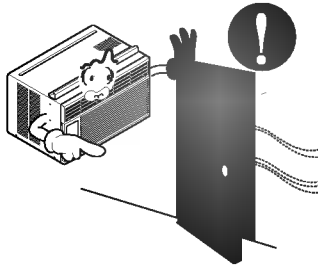
**Do not allow water to run into electric parts.**

- It will cause failure of machine or electric shock.



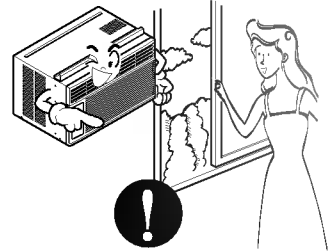
**Leave the door closed while the air conditioner is running.**

- It is not designed to cool the entire house.



**Ventilate before operating air conditioner when gas goes out.**

- It may cause explosion, fire, and burn.

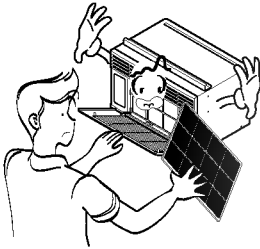


## **CAUTION**

### **Installation**

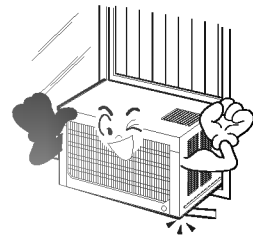
**Never touch the metal parts of the unit when removing the filter.**

- They are sharp and may cause injury.



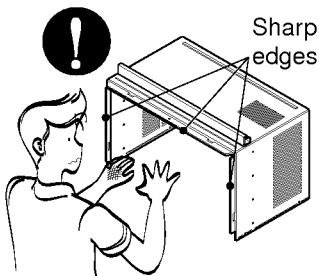
**Ensure that the outer case is not damaged by age or wear.**

- If leaving appliance damaged, there is concern of damage due to the falling of product.



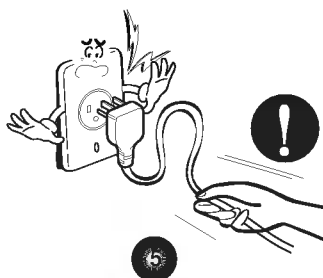
**Be cautious not to touch the sharp edges when installing.**

- It may cause injury.



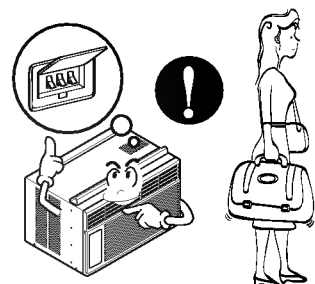
**Hold the plug by the head when taking it out.**

- It may cause electric shock and damage.



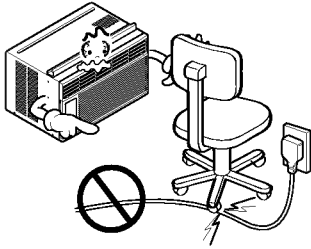
**Turn off the main power switch when not using it for a long time.**

- Prevent accidental startup and the possibility of injury.

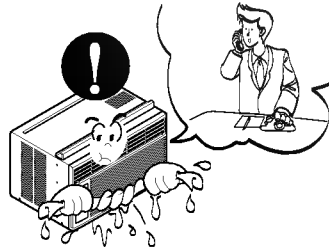


**Do not place heavy object on the power cord and take care so that the cord should not be pressed.**

- There is danger of fire or electric shock.

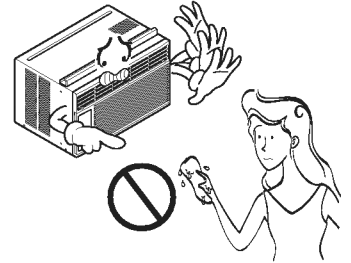


**If water enters the product, turn off the the power switch of the main body of appliance. Contact service center after taking the power-plug out from the socket.**



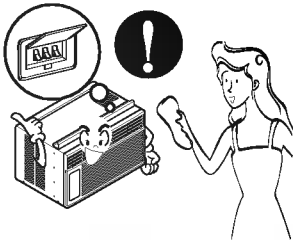
**Do not clean the air conditioner with water.**

- Water may enter the unit and degrade the insulation. It may cause an electric shock.



**Turn off the power and breaker firstly when cleansing the unit.**

- Since the fan rotates at high speed during operation, it may cause injury.



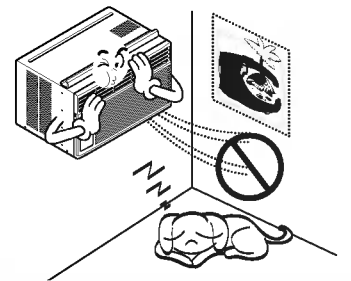
**Do not put a pet or house plant where it will be exposed to direct air flow.**

- This could injure the pet or plant.



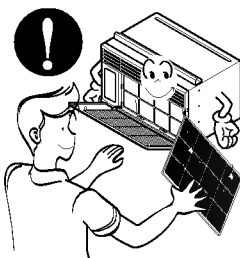
**Do not use this appliance for special purposes such as pets, foods, precision machinery, or objects of art.**

- It is an air conditioner, not a precision refrigeration system.



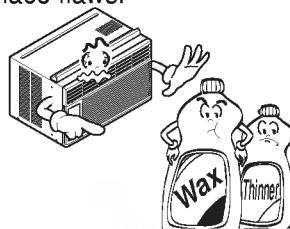
**Always insert the filter securely. Clean it every two weeks.**

- Operation without filters **will** cause failure.



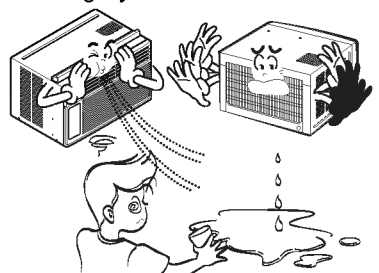
**Use a soft cloth to clean. Do not use wax, thinner, or a strong detergent.**

- The appearance of the air conditioner may deteriorate, change color, or develop surface flaws.



**Do not drink water drained from air conditioner. / Do not direct airflow at room occupants only.**

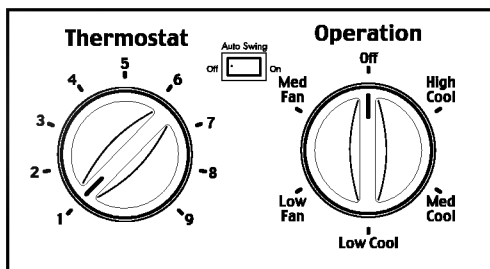
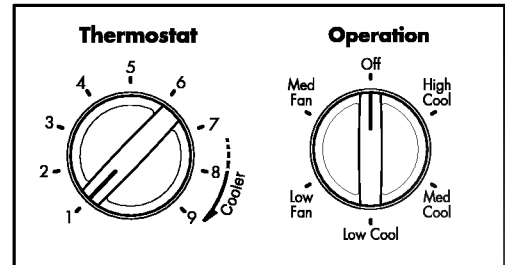
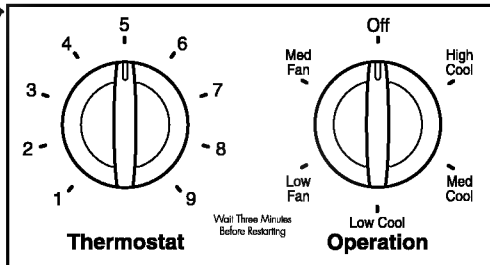
- It contains contaminants and will make you sick. / This could damage your health.



# About the Controls on the Air Conditioner

The controls will look like one of the following.

## Controls



### Operation

- Off - Turns air conditioner off.
- Med Fan - Med speed fan operation without cooling.
- Low Fan - Low speed fan operation without cooling.
- High Cool - Cooling with high speed fan operation.
- Med Cool - Cooling with med speed fan operation.
- Low Cool - Cooling with low speed fan operation.

### Thermostat

This automatically controls the temperature of the indoor air. Turn the knob so that arrow points to the larger marks for greater cooling. Point the arrow to the smaller marks for more moderate cooling. (i.e. the higher number the greater cooling)

### • For Normal Cooling

1. Turn the Operation Knob to the High Cool from the Low Cool setting.
2. Set the Thermostat control to the desired temperature mark 5 (the mid-point is a good starting position). If the room temperature is not satisfactory after a reasonable time, adjust the control to a cooler or warmer setting, as appropriate.

### • For Maximum Cooling

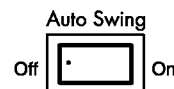
1. Turn the Operation Knob to the High Cool setting.
2. Set the Thermostat control to the largest 9 temperature mark.

### • For Quieter Operation

1. Turn the Operation Knob to the Low Cool setting.
2. Set the Thermostat control as needed.

### • Auto Swing (Optional)

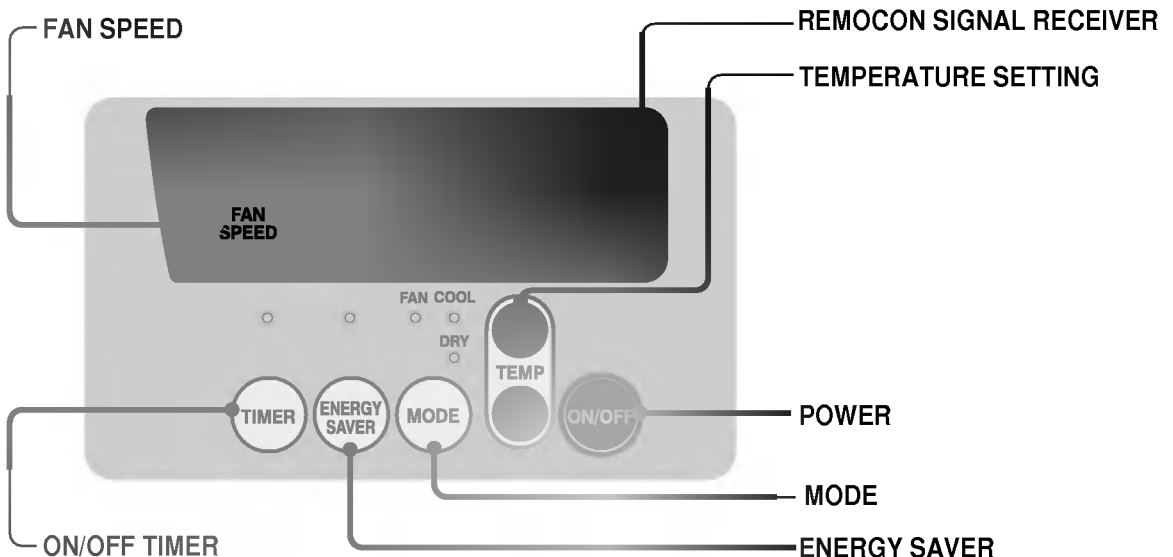
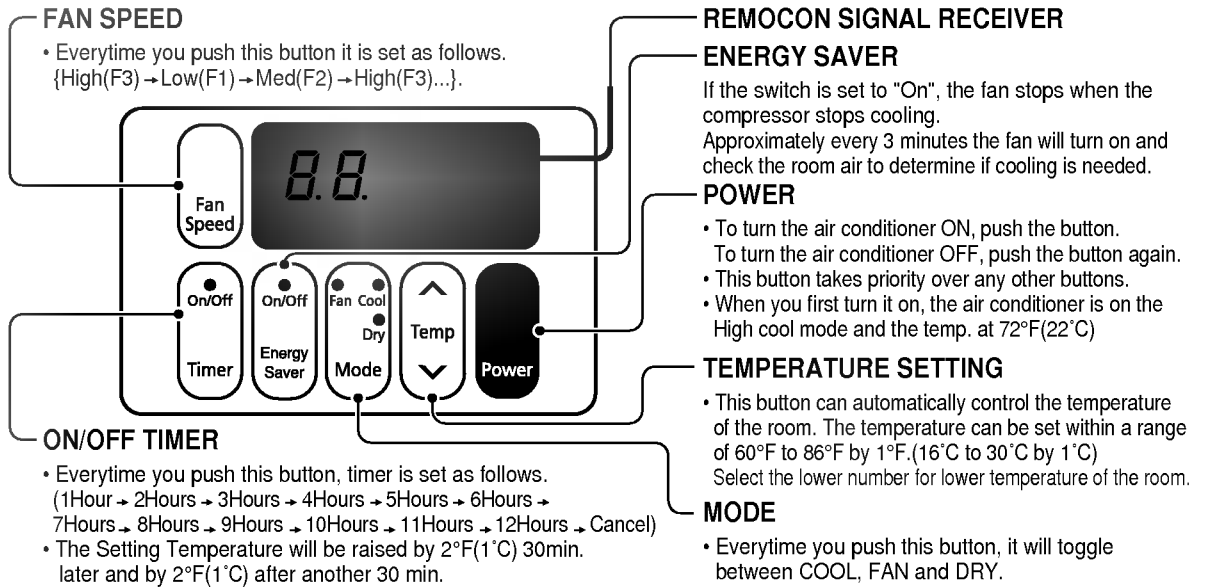
- On : Air swing is operated while Operation knob is set to the Cool position.
- Off : Stops the operation of air swing.



**CAUTION:** When the air conditioner has been performed its cooling operation and is turned off or set to the fan position, wait at least 3 minutes before resetting to the cooling operation again.



## Controls(8k~10k Series)





## Remote controller



**PRECAUTION:** The Remote Controller will not function properly if strong light strikes the sensor window of the air conditioner or if there are obstacles between the Remote Controller and the air conditioner.

### POWER

- To turn the air conditioner ON, push the button. To turn the air conditioner OFF, push the button again.
- This button takes priority over any other buttons.
- When you first turn it on, the air conditioner is on the High cool mode and the temp. at 72°F(22°C).

### TEMPERATURE SETTING

- This button can automatically control the temperature of the room.  
The temperature can be set within a range of 60°F to 86°F by 1°F.(16°C to 30°C by 1°C)  
Select the lower number for lower temperature of the room.

### FAN SPEED

- Everytime you push this button it is set as follows. {High(F3) → Low(F1) → Med(F2) → High(F3)...}.

### ON/OFF TIMER

#### - STOPPING OPERATION

- Everytime you push this button, when the air conditioner is operating, timer is set as follows.

(1Hour → 2Hours → 3Hours → 4Hours → 5Hours → 6Hours → 7Hours → 8Hours → 9Hours → 10Hours → 11Hours → 12Hours → Cancel)

- The Setting Temperature will be raised by 2°F(1°C) 30min. later and by 2°F(1°C) after another 30 min.

#### - STARTING OPERATION

- Everytime you push this button, when the air conditioner is not operating, timer is set as follow.

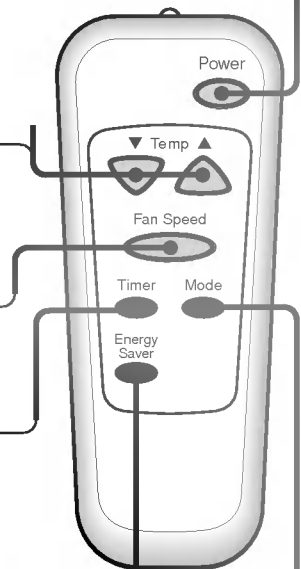
(1Hour → 2Hours → 3Hours → 4Hours → 5Hours → 6Hours → 7Hours → 8Hours → 9Hours → 10Hours → 11Hours → 12Hours → Cancel)

### ENERGY SAVER

- If the switch is set to "On", the fan stops when the compressor stops cooling.  
Approximately every 3 minutes the fan will turn on and check the room air to determine if cooling is needed.

### MODE

- Everytime you push this button, it will toggle between COOL, FAN and DRY.



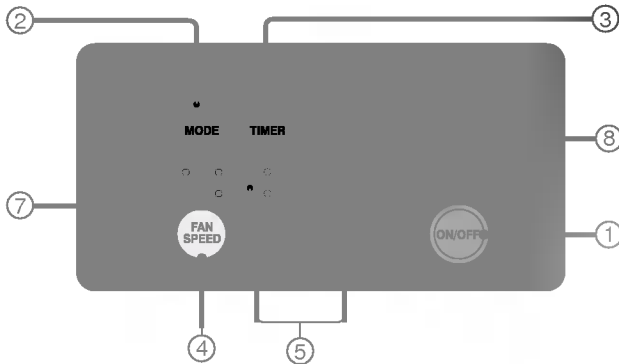
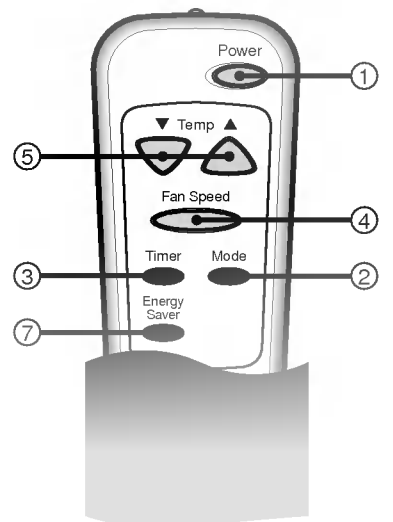
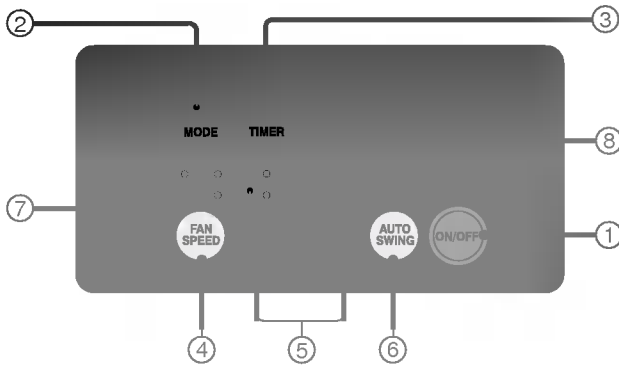
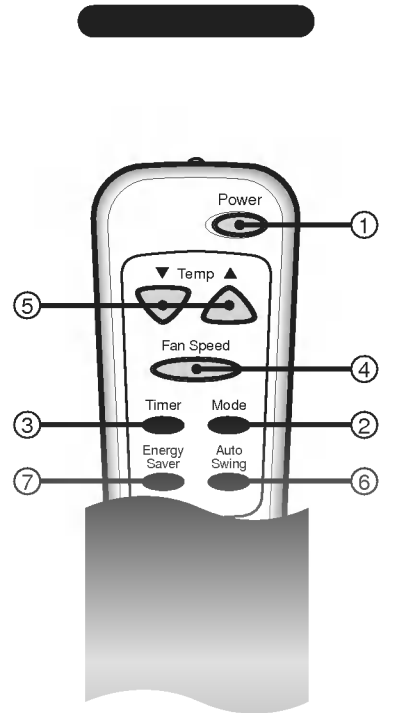
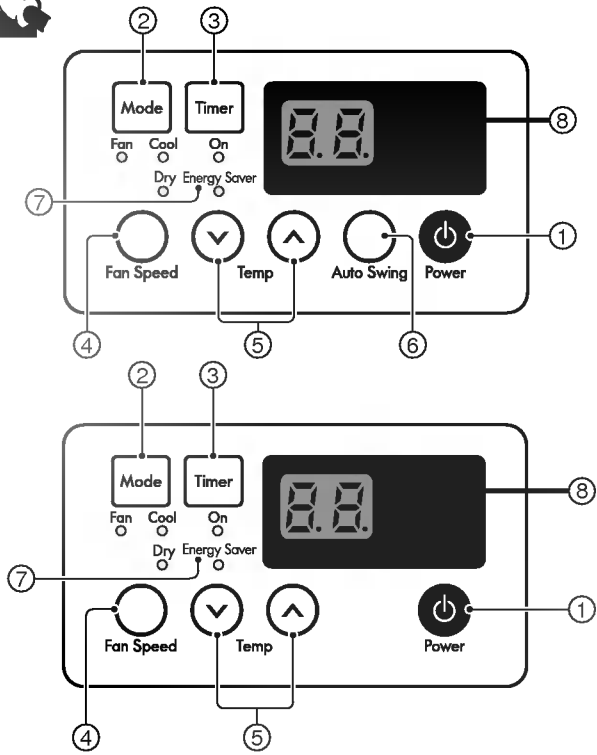
In failure of electric power, the unit runs as previous setting operation.



The controls will look like one of the following.



## Controls(12k~24k Series)



---

## 1 POWER BUTTON

To turn the air conditioner ON, push the button. To turn the air conditioner OFF, push the button again.

This button takes priority over any other buttons.

## 2 OPERATION MODE SELECTION BUTTON

Everytime you push this button, it will toggle COOL, FAN and DRY.

## 3 ON/OFF TIMER BUTTON

Everytime you push this button, timer is set as follows. (1Hour → 2Hours → 3Hours → 4Hours → 5Hours → 6Hours → 7Hours → 8Hours → 9Hours → 10Hours → 11Hours → 12Hours → Cancel)

## 4 FAN SPEED SELECTOR

Everytime you push this button, it is set as follows. (Hi[ F3 ] → Low[ F1 ] → Med[ F2 ] → Hi[ F3 ]....)

## 5 ROOM TEMPERATURE SETTING BUTTON

This button can automatically control the temperature of the room. The temperature can be set within a range of 60°F to 86°F by 1°F.

Select the lower number for lower temperature of the room.

## AUTO SWING

This button can automatically control the air flow direction.

## ENERGY SAVER

The fan stops when the compressor stops cooling.

Approximately every 3 minutes the fan will turn on and check the room air to determine if cooling is needed.

## REMOCON SIGNAL RECEIVER



**CAUTION:** When the air conditioner has been performed its cooling operation and is turned off or set to the fan position, wait at least 3 minutes before resetting to the cooling operation again.

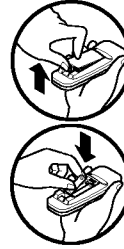
In failure of electric power, the unit runs as previous setting operation.



## Additional controls and important information.

### How to insert Batteries

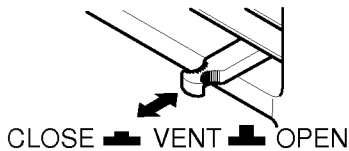
- 1 Remove the cover from the back of the remote controller.
- 2 Insert two batteries.
  - Be sure that the (+) and (-) directions are correct.
  - Be sure that both batteries are new.
- 3 Re-attach the cover.



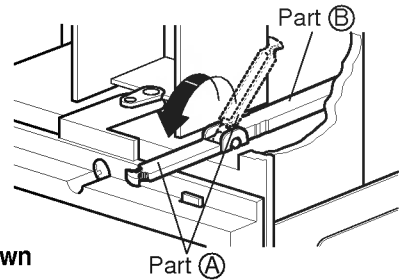
- Do not use rechargeable batteries. Such batteries differ from standard dry cells in shape, dimensions, and performance.
- Remove the batteries from the remote controller if the air conditioner is not going to be used for an extended length of time.

### Ventilation

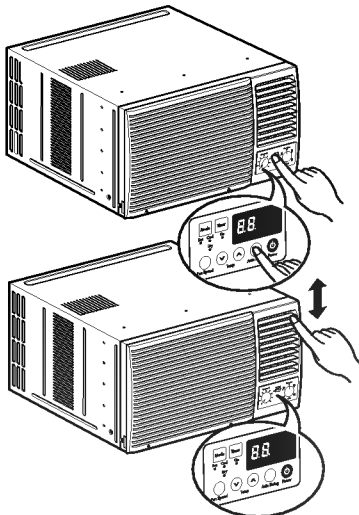
The ventilation lever must be in the CLOSE position in order to maintain the best cooling conditions. When fresh air is necessary in the room, set the ventilation lever to the OPEN position. The damper is opened and room air is drawn out.



Before using the ventilation feature, position the lever, as shown. First, pull down part (A) to horizontal line with part (B).



### Air Direction



The direction of air can be controlled wherever you want to cool by adjusting the horizontal louver and the vertical louver.

#### • HORIZONTAL AIR-DIRECTION CONTROL

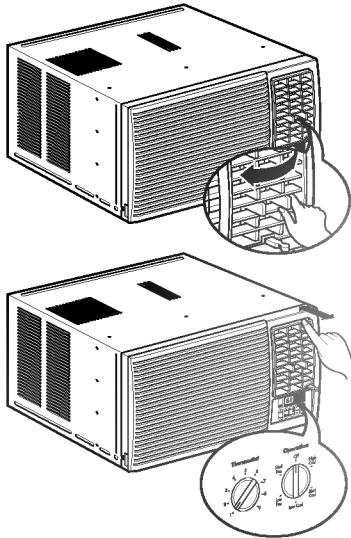
To control horizontal direction of air flow, set to the ON position the air-swing switch and the air flow will be swept horizontally by the automatic air-swing system.

If you want to stop the air flow from moving, switch off the air swing switch at the desired position of the vane.

#### • VERTICAL AIR-DIRECTION CONTROL

The vertical air direction is adjusted by moving the horizontal louver.





The direction of air can be controlled wherever you want to cool by adjusting the horizontal louver and the vertical louver.

• **HORIZONTAL AIR-DIRECTION CONTROL**

The horizontal air direction is adjusted by rotating the vertical louver right or left.

• **VERTICAL AIR-DIRECTION CONTROL**

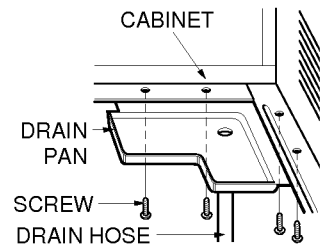
The vertical air direction is adjusted by rotating the horizontal louver forward or backward.

## How to Attach Drain Pan(Optional)

The air conditioner employs a proper drain method whereby the condensed water (moisture removed from the air) is drained to the outside.

In very humid weather, (and for reverse cycle models in the reverse mode) excessive condensate water removed from the air may cause some water to collect. To remove this excess water you can install the drain pan as detailed below.

1. Take the drain pan which is located in the air discharge.
2. Remove the hole rubber from the base-pan (for some models).
3. Install the drain pan to the right corner of the cabinet with 4 (or 2) screws.
4. Connect the drain hose of 3/5" inside diameter to the outlet located at the bottom of the drain pan. You can purchase the drain hose or tubing locally to satisfy your particular needs. (Drain hose is not supplied).

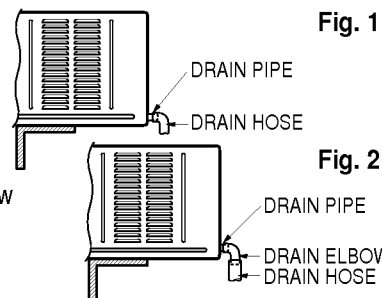


## How to Connect a Drain Hose

A drain hole is provided at the rear of the air conditioner unit.

Select a drain method according to the following.

1. Remove the hole rubber from the base-pan. (for some models)
2. Connect a drain hose of  $\frac{9}{16}$ " inside diameter to the drain pipe as shown in Fig. 1.
3. Or connect a pipe elbow of  $\frac{9}{16}$ " inside diameter to the drain pipe, then connect a drain hose of  $\frac{9}{16}$ " inside diameter to the pipe elbow as shown in Fig. 2.



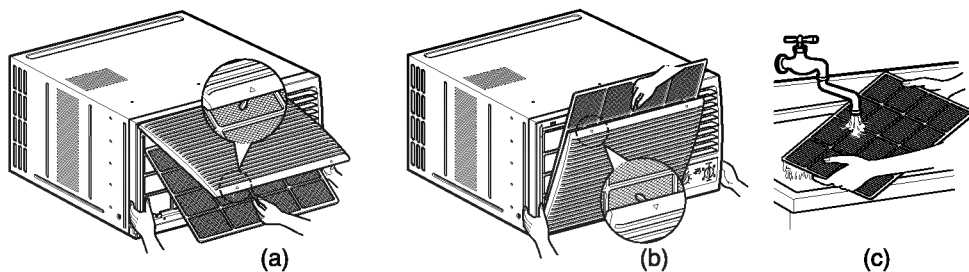
## Care and Maintenance

TURN THE AIR CONDITIONER OFF AND REMOVE THE PLUG FROM THE POWER OUTLET.

### Air Filter Cleaning

The air filter should be checked at least twice a month to see if cleaning is necessary. Trapped particles in the filter will build up and block the airflow. This reduces the cooling capacity and also causes an accumulation of frost on the cooling coils.

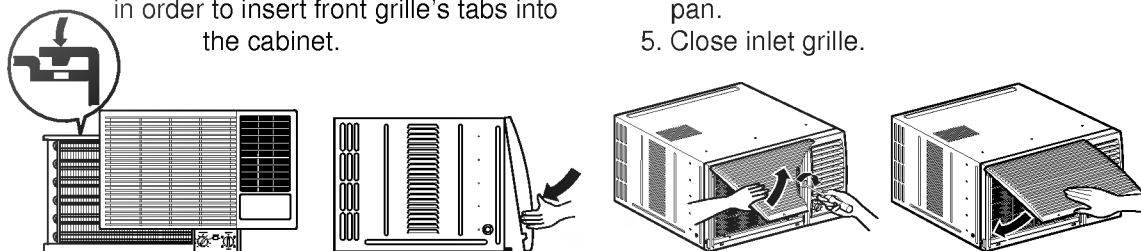
1. Open the inlet grille upward by pulling out the bottom of the inlet grille.(a)  
In another case, you can open the inlet grille downward by pulling out the top of the inlet grille.(b)
2. Remove the air filter from the front grille assembly by pulling the air filter up or down slightly.
3. Wash the filter using lukewarm water below 40°C (104°F).(c)
4. Gently shake the excess water from the filter completely. Replace the filter.



Mark  $\Delta$  of inlet grille means opening direction.

### How to Attach Front Grille to Cabinet

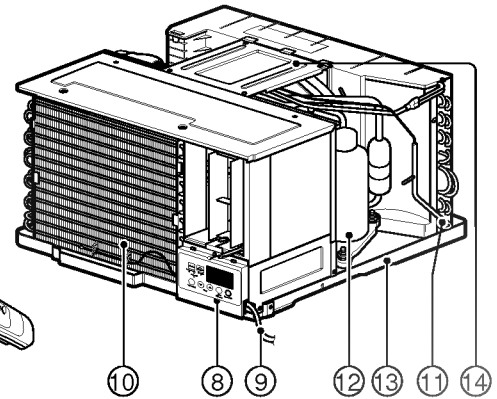
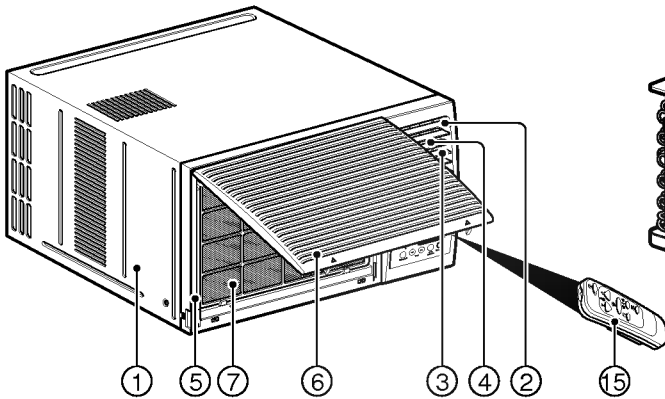
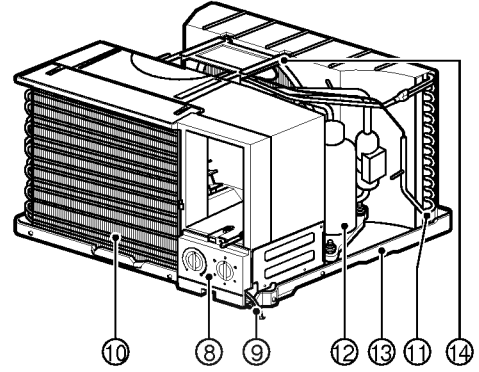
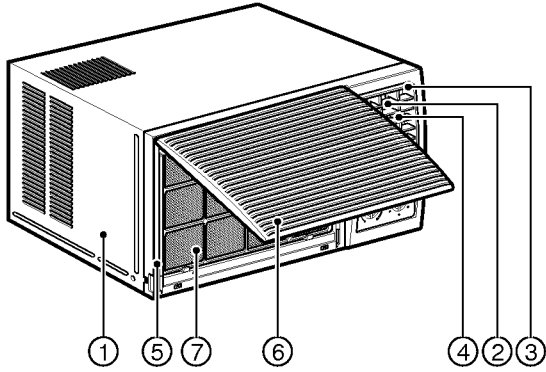
1. Pull down front grille from the cabinet top.
2. Push front grille's tips toward the cabinet in order to insert front grille's tabs into the cabinet.
3. Open the inlet grille.
4. Tighten the screw through the front grille into the plate of the evaporator or base pan.
5. Close inlet grille.



# Features and Installation

Learning parts name prior to installation will help you understand the installation procedure.

## Features



- |  |                       |
|--|-----------------------|
| 1. CABINET                                       | 8. CONTROL BOARD      |
| 2. HORIZONTAL AIR DEFLECTOR<br>(VERTICAL LOUVER) | 9. POWER CORD         |
| 3. VERTICAL AIR DEFLECTOR<br>(HORIZONTAL LOUVER) | 10. EVAPORATOR        |
| 4. AIR DISCHARGE                                 | 11. CONDENSER         |
| 5. FRONT GRILLE                                  | 12. COMPRESSOR        |
| 6. AIR INTAKE(INLET GRILLE)                      | 13. BASE PAN          |
| 7. AIR FILTER                                    | 14. BRACE             |
|  | 15. REMOTE CONTROLLER |

# INSTALLATION

## 8k, 10k Series Models

### How to Install the Unit

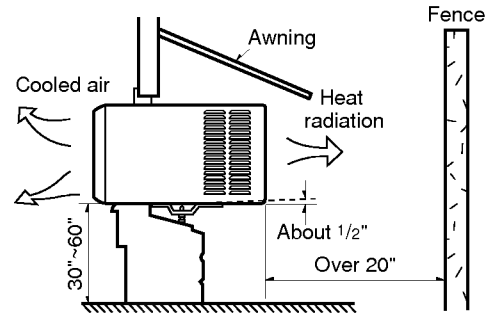
1. To prevent vibration and noise, make sure the unit is installed securely and firmly
2. Install the unit where the sunlight does not shine directly on the unit.
3. The outside of the cabinet must extend outward for at least 11" and there should be no obstacles, such as a fence or wall, within 20" from the back of the cabinet because it will prevent heat radiation of the condenser.

Restriction of outside air will greatly reduce the cooling efficiency of the air conditioner.



**CAUTION: All side louvers of the cabinet must remain exposed to the outside of the structure.**

4. Install the unit a little slanted so the back is slightly lower than the front (about 1/2"). This will force condensed water to flow to the outside.
5. Install the unit with the bottom about 30"~60" above the floor level.

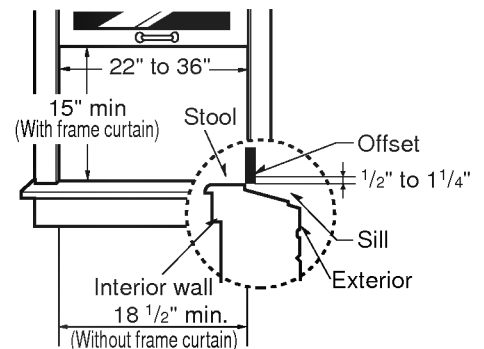


### Window Requirements

**All supporting parts should be secured to firm wood, masonry, or metal.**

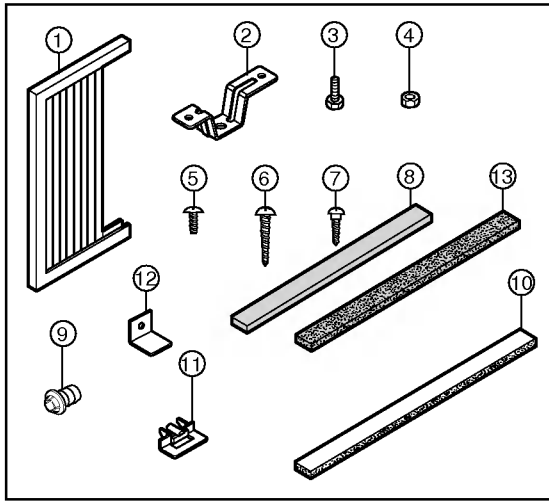
This unit is designed for installation in standard double hung windows with actual opening widths from 22" to 36".

The top and bottom window sash must open sufficiently to allow a clear vertical opening of 15" from the bottom of the upper sash to the window stool.





## ■ Installation Kits Contents



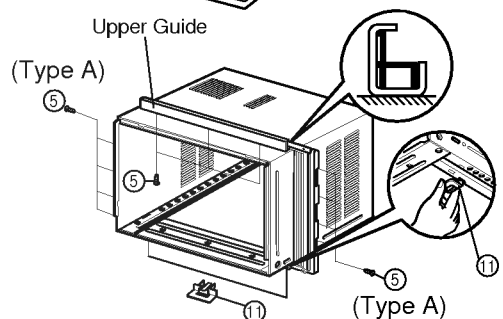
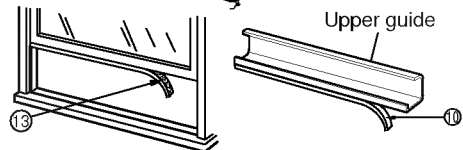
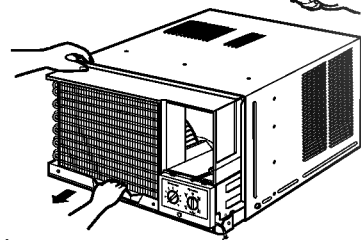
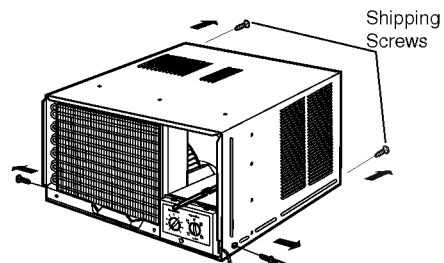
NO.	NAME OF PARTS	Q'TY
1	FRAME CURTAIN	2
2	SILL SUPPORT	2
3	BOLT	2
4	NUT	2
5	SCREW(TYPE A)	16
6	SCREW(TYPE B)	3
7	SCREW(TYPE C)	5
8	FOAM-STRIP	1
9	DRAIN JOINT PIPE	1
10	FOAM-PE	1
11	FRAME GUIDE	2
12	WINDOW LOCKING BRACKET	1
13	FOAM-PE	1

## ■ Suggested Tool Requirements

SCREWDRIVER(+, -), RULER, KNIFE, HAMMER, PENCIL, LEVEL

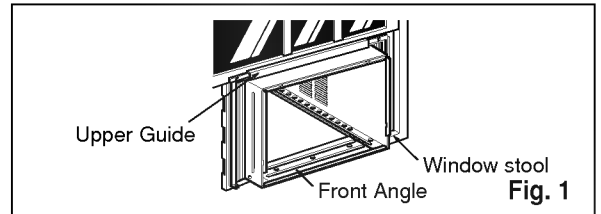
### PREPARATION OF CHASSIS

1. Remove the screws which fasten the cabinet at both sides and at the back.
2. Slide the unit from the cabinet by gripping the base pan handle and pulling forward while bracing the cabinet.
3. Cut the window sash seal to the proper length.  
Peel off the backing and attach the foam-pe ⑬ to the underside of the window sash.
4. Remove the backing from the top upper guide Foam PE ⑩ and attach it to the bottom of the upper guide.
5. Attach the upper guide onto the top of the cabinet with 3 type A screws.
6. Insert the frame guides ⑪ into the bottom of the cabinet.
7. Insert the Frame Curtain ① into the upper guide and frame guides ⑪.
8. Fasten the curtains to the unit with 4 Type A screws.



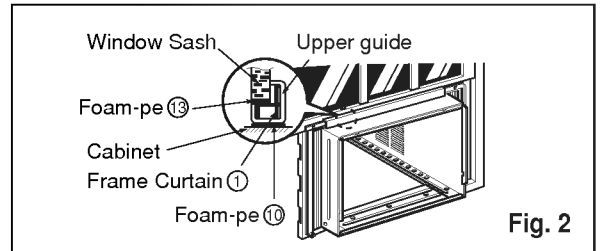
## ■ Cabinet Installation

1. Open the window. Mark a line on center of the window stool (or desired air conditioner location). Carefully place the cabinet on the window stool and align the center mark on the bottom front with the center line marked in the window stool.

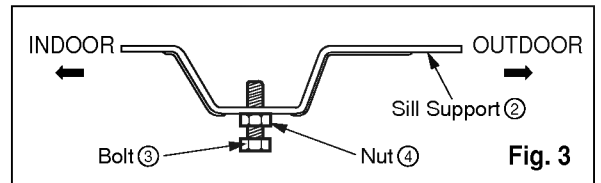


2. Pull the bottom window sash down behind the upper guide until it meets.

**Do not pull the window sash down so tightly that the movement of Frame Curtain is restricted.**

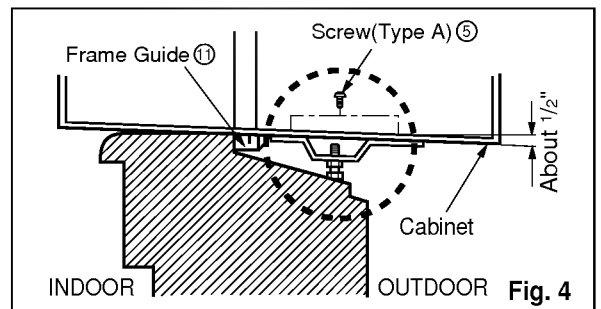


3. Loosely assemble the sill support using the parts. (Fig. 3)



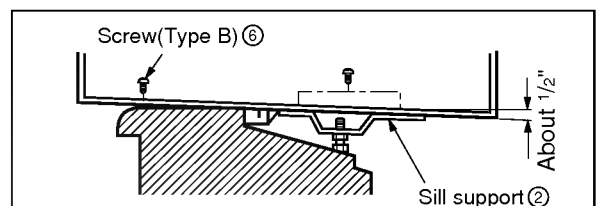
4. Select the position that will place the sill support near the outer most point on sill. (Fig. 4)

**Be careful when you install the cabinet (frame guides 11 are broken so easily).**

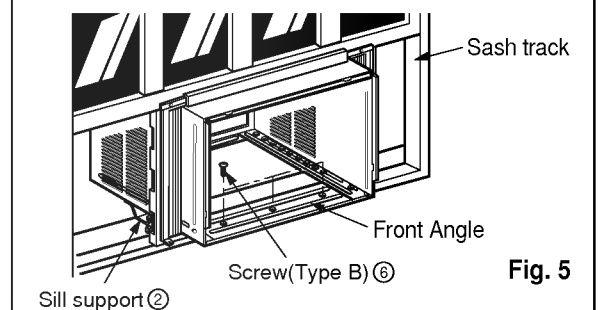


5. Attach the sill support to the cabinet track hole in relation to the selected position using 2 Type A screws in each support. (Fig. 4)

6. The cabinet should be installed with a very **slight tilt (about 1/2") downward** toward the outside. (Fig. 5) Adjust the bolt and the nut of sill support for balancing the cabinet.



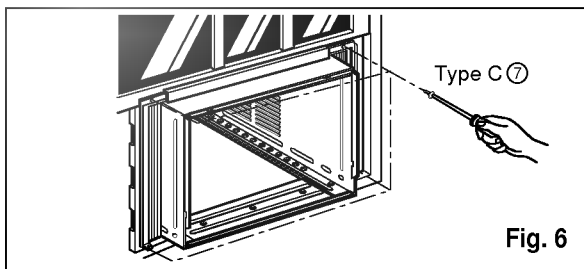
7. Attach the cabinet to the window stool by driving the screws 6 (Type B: Length sixteen millimeters and below.) through the front angle into window stool.



8. Pull each Frame curtain fully to each window sash track, and repeat step 2.

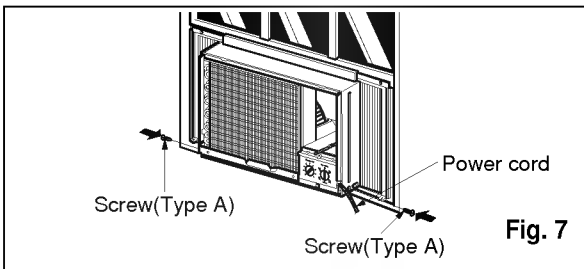
9. Attach each Frame curtain the window sash using screws ⑦(Type C). (Fig. 6)

**CAUTION:** Do not drill a hole in the bottom pan. The unit is designed to operate with approximately 1/2" of water in bottom pan.



10. Slide the unit into the cabinet. (Fig. 7)

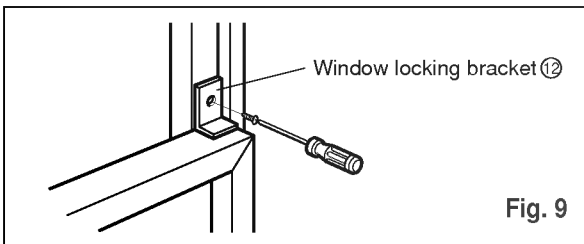
**CAUTION:** For security purpose, reinstall screws (Type A) at cabinet's sides.



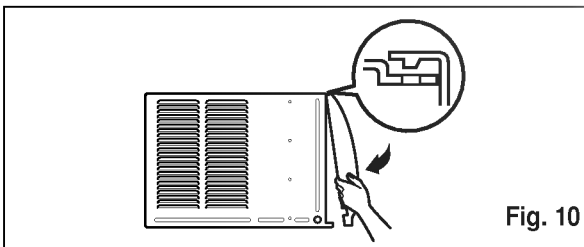
11. Cut the foam-strip ⑧ to the proper length and insert between the upper window sash and the lower window sash. (Fig. 8)



12. Attach the window locking bracket ⑫ with a type C screw. (Fig. 9)

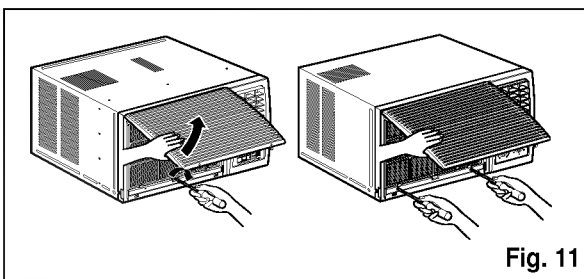


13. Attach the front grille to the cabinet by inserting the tabs on the grille into the tabs on the front of the cabinet. Push the grille in until it snaps into place. (Fig.10)



14. Lift the inlet grille and secure it with Type A screws the front grille. (Fig. 11)

15. *Window installation of room air conditioner is now completed. See ELECTRICAL DATA for attaching power cord to electrical outlet.*



## 12k, 14k Series Models

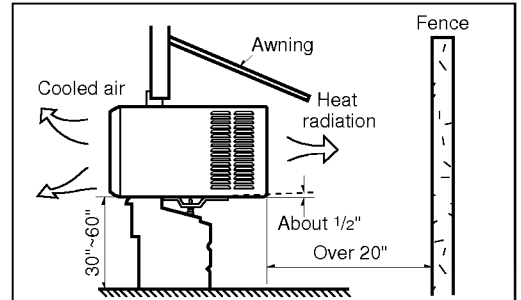
### ■ SELECT THE BEST LOCATION

1. To prevent vibration and noise, make sure the unit is installed securely and firmly
2. Install the unit where the sunlight does not shine directly on the unit.
3. The outside of the cabinet must extend outward for at least 12" and there should be no obstacles, such as a fence or wall, within 20" from the back of the cabinet because it will prevent heat radiation of the condenser.

Restriction of outside air will greatly reduce the cooling efficiency of the air conditioner.

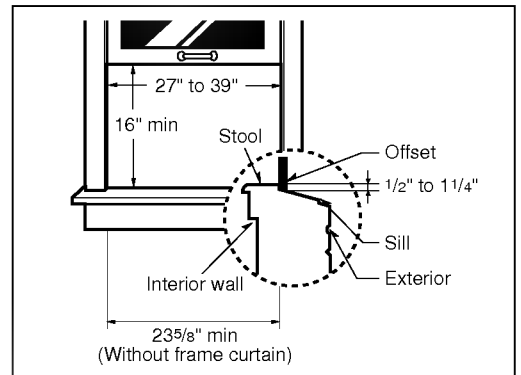


**CAUTION:** All side louvers of the cabinet must remain exposed to the outside of the structure.

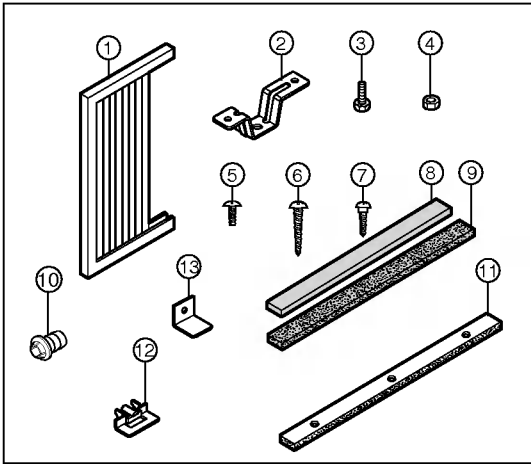


### WINDOW REQUIREMENTS

1. This unit is designed for installation in standard double hung windows with actual opening widths from 27" to 39". The top and bottom window sash must open sufficiently to allow a clear vertical opening of 16" from the bottom of the upper sash to the window stool.
2. Install the unit a little slanted so the back is slightly lower than the front (about 1/2"). This will force condensed water to flow to the outside.
3. Install the unit with the bottom about 30"~60" above the floor level.



## ■ INSTALLATION KITS CONTENTS



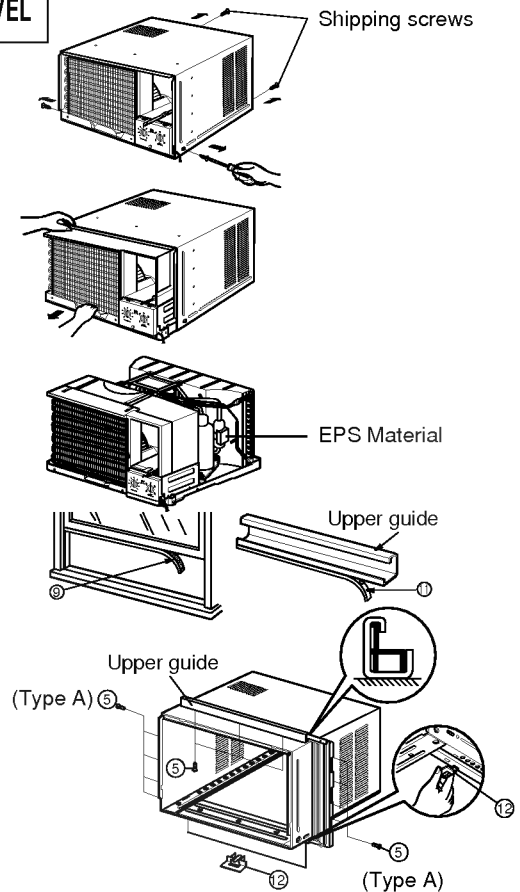
NO.	NAME OF PARTS	Q'TY
1	FRAME CURTAIN	2
2	SILL SUPPORT	2
3	BOLT	2
4	NUT	2
5	SCREW(TYPE A)	16
6	SCREW(TYPE B)	3
7	SCREW(TYPE C)	5
8	FOAM-STRIP	1
9	FOAM-PE	1
10	DRAIN JOINT PIPE	1
11	FOAM-PE	1
12	FRAME GUIDE	2
13	WINDOW LOCKING BRACKET	1

## ■ SUGGESTED TOOL REQUIREMENTS

SCREWDRIVER(+, -), RULLER, KNIFE, HAMMER, PENCIL, LEVEL

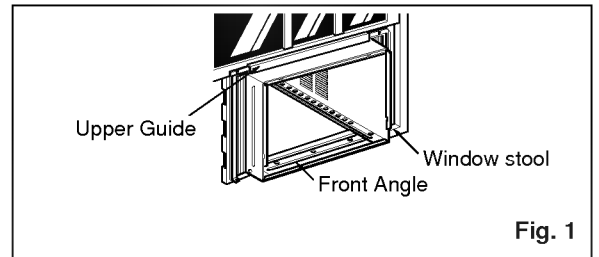
### PREPARATION OF CHASSIS

1. Remove the screws which fasten the cabinet at both sides and at the back.
2. Slide the unit from the cabinet by gripping the base pan handle and pulling forward while bracing the cabinet.
3. Remove EPS Material.
4. Cut the window sash seal to the proper length. Peel off the backing and attach the foam-pe ⑨ to the underside of the window sash.
5. Remove the backing from the top upper guide Foam PE ⑪ and attach it to the bottom of the upper guide.
6. Attach the upper guide onto the top of the cabinet with 3 type A screws.
7. Insert the frame guides ⑫ into the bottom of the cabinet.
8. Insert the Frame Curtain ① into the upper guide and frame guides ⑫.
9. Fasten the curtains to the unit with 4 Type A screws.



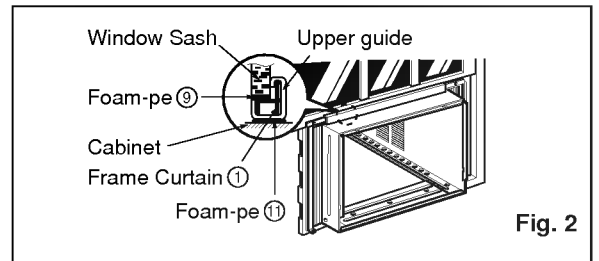
## ■ CABINET INSTALLATION

1. Open the window. Mark a line on center of the window stool (or desired air conditioner location).  
Carefully place the cabinet on the window stool and align the center mark on the bottom front with the center line marked in the window stool.

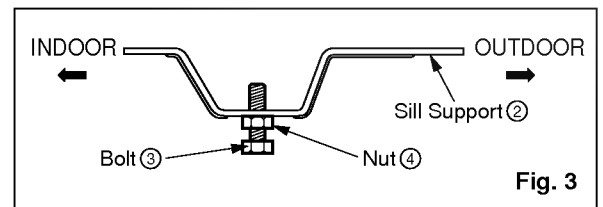


2. Pull the bottom window sash down behind the upper guide until it meets.

**Do not pull the window sash down so tightly that the movement of Frame Curtain is restricted.**

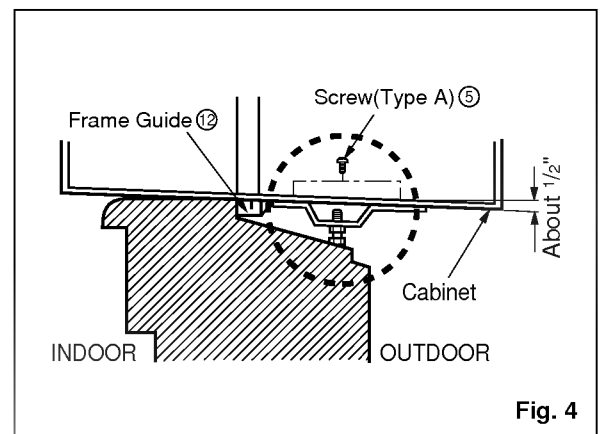


3. Loosely assemble the sill support using the parts in Fig. 3.



4. Select the position that will place the sill support near the outer most point on sill (See Fig. 4)

**Be careful when you install the cabinet (frame guides ⑫ are broken so easily).**



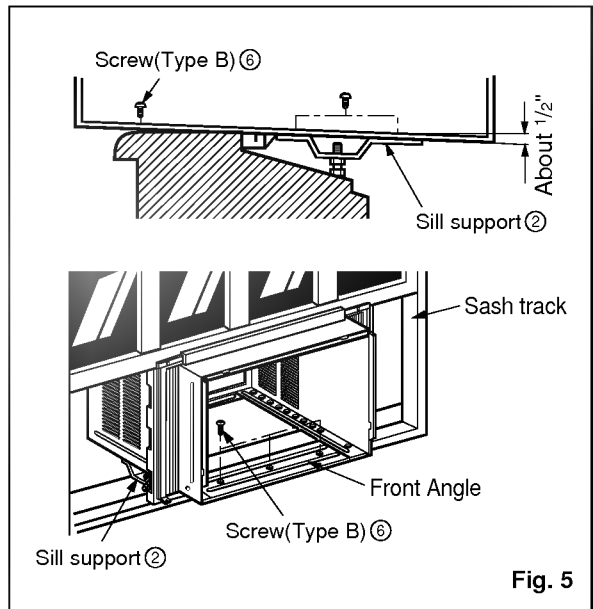
5. Attach the sill support to the cabinet track hole in relation to the selected position using 2 Type A screws in each support (See Fig. 4).

6. The cabinet should be installed with a very **slight tilt (about 1/2") downward** toward the outside (See Fig. 5).

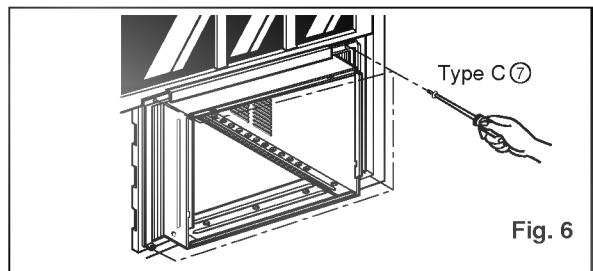
Adjust the bolt and the nut of sill support for balancing the cabinet.

7. Attach the cabinet to the window stool by driving the screws ⑥ (Type B: Length sixteen millimeters and below.) through the front angle into window stool.

8. Pull each Frame curtain fully to each window sash track, and repeat step 2.



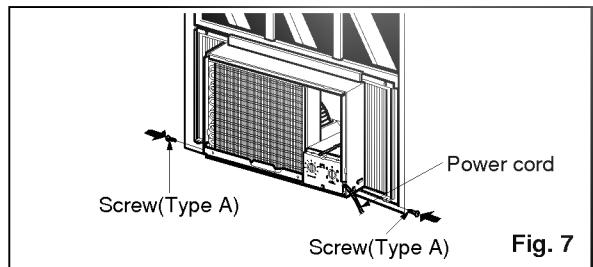
9. Attach each Frame curtain the window sash using screws ⑦ (Type C). (See Fig. 6)



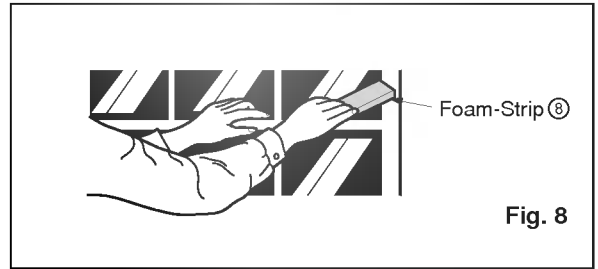
10. Slide the unit into the cabinet. (See Fig. 7)



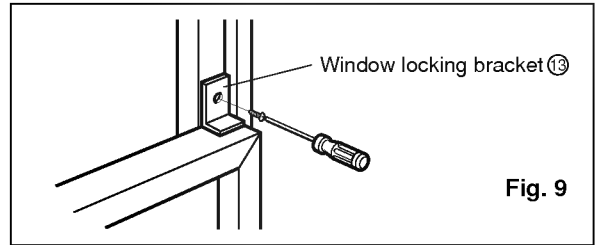
**CAUTION:** For security purpose, reinstall screws (Type A) at cabinet's sides.



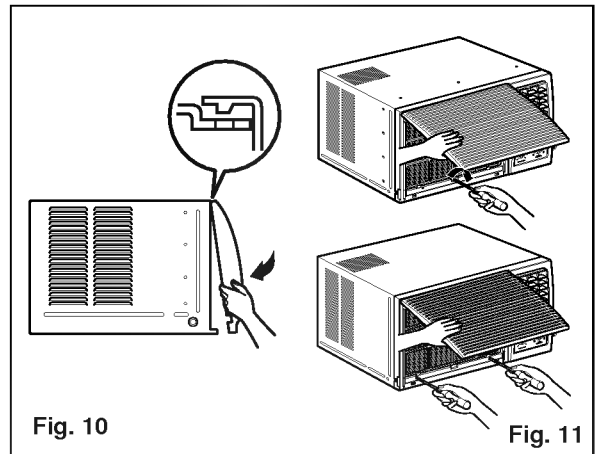
11. Cut the foam-strip ⑧ to the proper length and insert between the upper window sash and the lower window sash.  
(See Fig. 8)



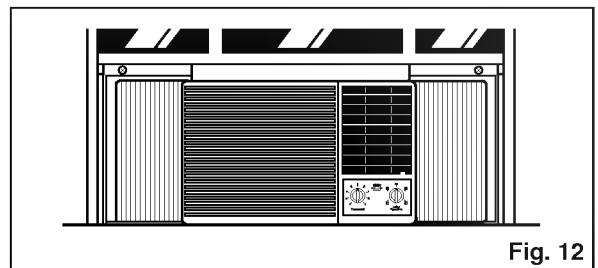
12. Attach the window locking bracket ⑬ with a type C screw. (See Fig. 9)



13. Attach the front grille to the cabinet by inserting the tabs on the grille into the tabs on the front of the cabinet. Push the grille in until it snaps into place. (See Fig.10)

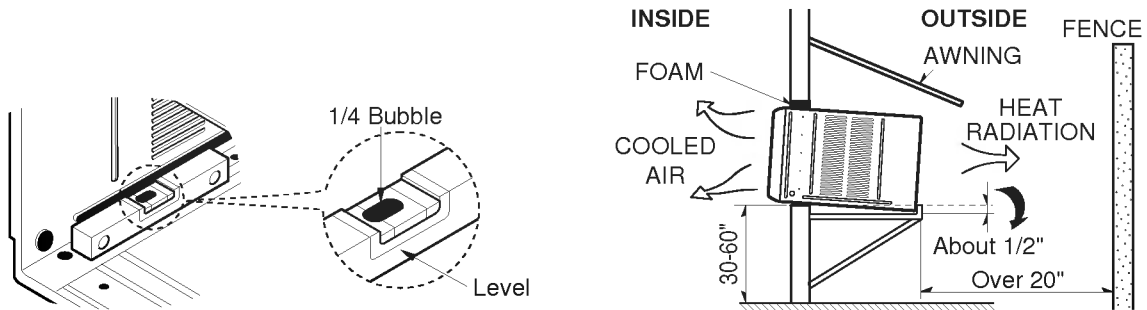


14. Lift the inlet grille and secure it with a type A screw through the front grille.  
(See Fig. 11)





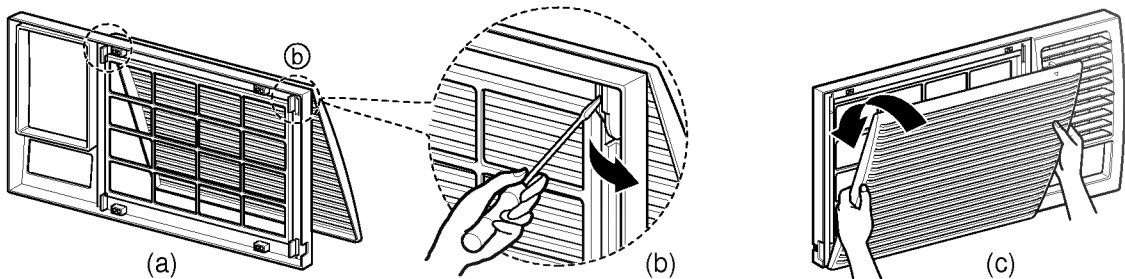
## ■ How to Install the Unit



1. To avoid vibration and noise, make sure the unit is installed securely and firmly.
2. Install the unit where the sunlight does not shine directly on the unit.  
If the unit receives direct sunlight, build an awning to shade the cabinet.
3. There should be no obstacle, like a fence, within 20" which might restrict heat radiation from the condenser.
4. To prevent reducing performance, install the unit so that louvers of the cabinet are not blocked.
5. Install the unit a little obliquely outward not to avoid leaking the condensed water into the room (about 1/2" or 1/4 bubble with level).
6. Install the unit with its bottom portion 30~60" above the floor level.
7. Stuff the foam between the top of the unit and the wall to prevent air and insects from getting into the room.
8. The power cord must be connected to an independent circuit. The green wire must be grounded.
9. Connect the drain tube to the base pan hole in the rear side if you need to drain (consult a dealer.)  
Plastic hose or equivalent may be connected to the drain tube.

## ■ How to Use the Reversible Inlet Grille(For Some Models)

The grille is designed to clean the filter both upward and downward.



### **A. Before attaching the front grille to the cabinet, if you want to pull out the filter upward;**

1. Open the inlet grille slightly (a).
2. Turn inside out the front grille (a).
3. Disassemble the inlet grille from the front grille with separating the hinged part by inserting a straight type screw-driver tip (b).
4. Then, rotate the inlet grille 180 degrees and insert the hooks into bottom holes of the front grille.
5. Insert the filter and attach the front grille to the cabinet.

### **B. If you want to pull out the filter downward;**

The grille is already designed that way.

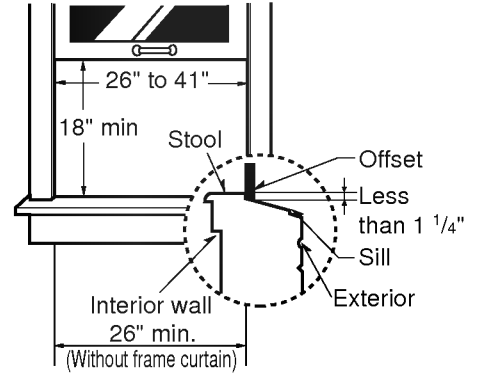


# 18k, 24k Series Models

## Window Requirements

All supporting parts should be secured to firm wood, masonry, or metal.

1. This unit is designed for installation in standard double hung windows with actual opening widths from 26" to 41".  
The top and bottom window sashes must open sufficiently to allow a clear vertical opening of 18" from the bottom of the upper sash to the window stool.
2. The stool offset (height between the stool and sill) must be less than 1 1/4".



## Installation Kits Contents

The diagram shows the following components included in the installation kit:

- Foam-PE (Adhesive-Backed)
- Foam strip (Plain-Back)
- Foam-PE (Adhesive-Backed)
- Left frame curtain
- Right frame curtain
- Frame guide(2)
- Window locking bracket
- Sill bracket(2)
- Support bracket(2)
- Drain joint pipe

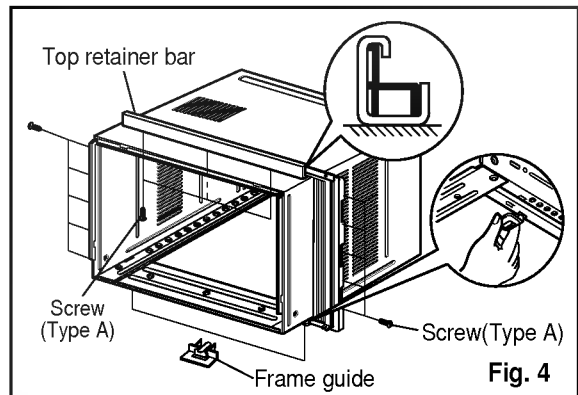
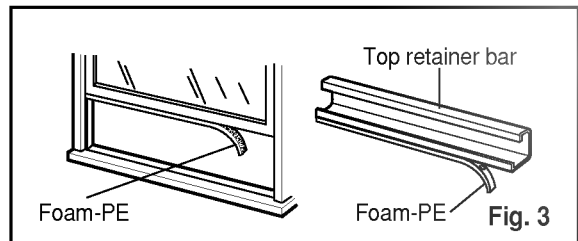
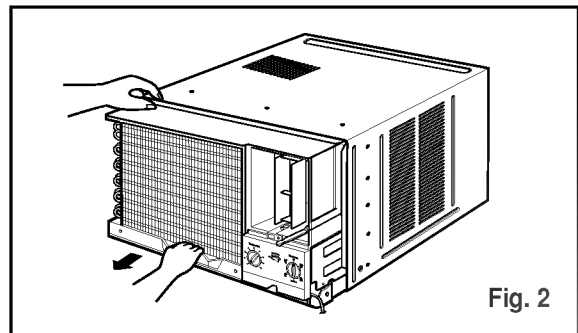
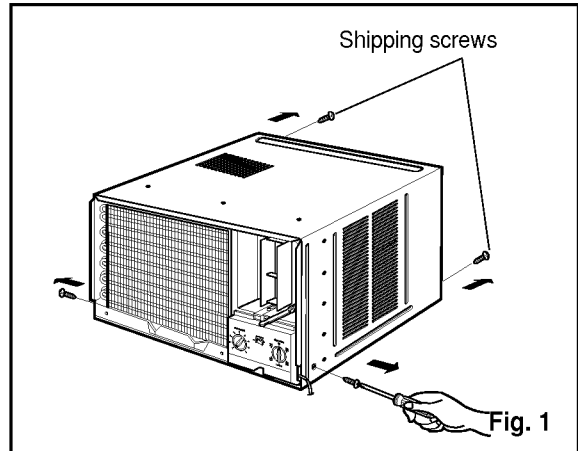
Type A (14)	Type B (7)	Type C (5)	Type D (2)	Carriage Bolt (2)	Lock Nut (4)

## ■ Suggested Tool Requirements

**SCREWDRIVER(+, -), RULER, KNIFE, HAMMER, PENCIL, LEVEL**

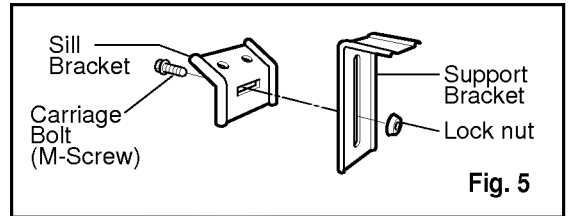
### **PREPARATION OF CHASSIS**

1. Remove the screws which fasten the cabinet at both sides and at the back.
2. Slide the unit out from the cabinet by gripping the base pan handle and pulling forward while bracing the cabinet.
3. Cut the window sash seal to the proper length. Peel off the backing and attach the Foam-PE to the underside of the window sash.
4. Remove the backing from Foam-PE with 3 holes and attach it to the bottom of the Top retainer bar.
5. Attach the Top retainer bar on the top of the cabinet with 3 screws (Type A).
6. Insert the Frame guides into the bottom of the cabinet.
7. Insert the Frame Curtain into the Top retainer bar and Frame guides.
8. Fasten the curtains to the unit with 10 screws (Type A) at both sides.

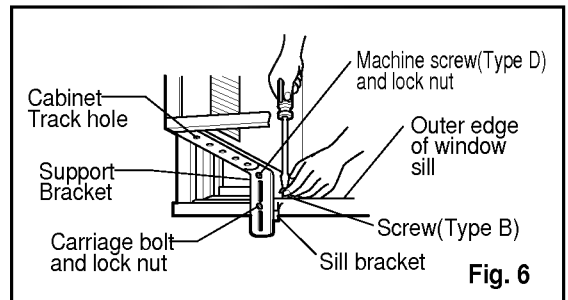


## ■ Cabinet Installation

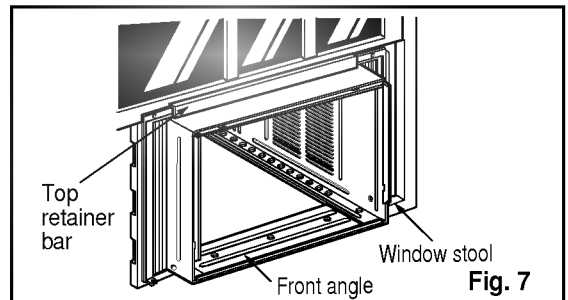
1. Open the window. Mark a line on the center of the window stool between the side window stop moldings. Loosely attach the sill bracket to the support bracket using the carriage bolt and the lock nut.



2. Attach the sill bracket to the window sill using the screws (Type B). Carefully place the cabinet on the window stool and align the center mark on the bottom front with the center line marked window stool.

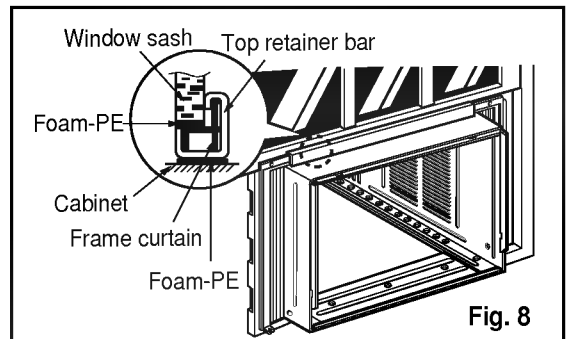


3. Using the M-screw and the lock nut, attach the support bracket to the cabinet track hole. Use the first track hole after the sill bracket on the outer edge of the window sill. Tighten the carriage bolt and the lock nut. Be sure the cabinet slants outward.



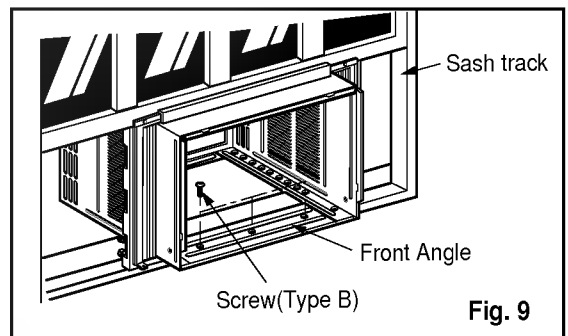
**CAUTION:** Do not drill a hole in the bottom pan. The unit is designed to operate with approximately 1/2" of water in bottom pan.

4. Pull the bottom window sash down behind the Top retainer bar until they meet.



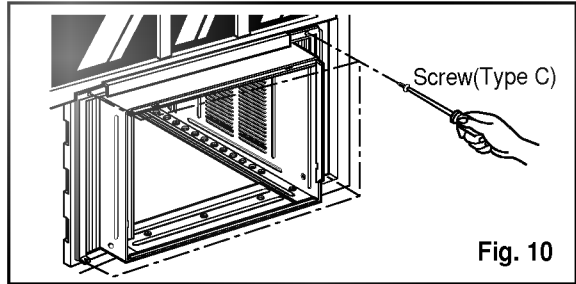
1. Do not pull the window sash down so tightly that the movement of Frame curtain is restricted. Attach the cabinet to the window stool by driving the screws (Type B) through the cabinet into window stool.

2. The cabinet should be installed with a very slight tilt downward toward the outside.



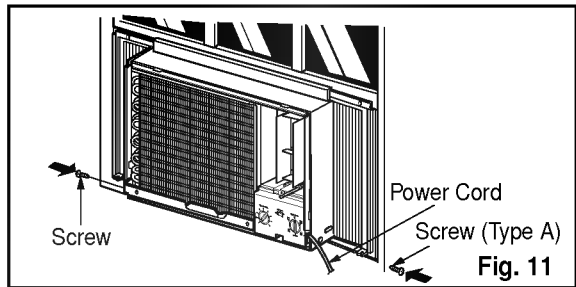
5. Pull each Frame curtain fully to each window sash track, and pull the bottom window sash down behind the Top retainer bar until it meets.

6. Attach each Frame curtain the window sash by using screws (Type C.) (See Fig. 10)



7. Slide the unit into the cabinet.(See Fig. 11)

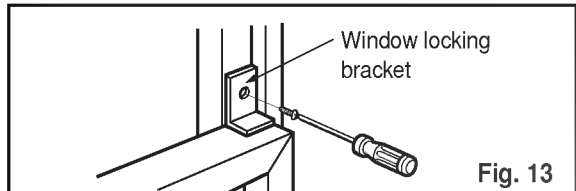
**CAUTION:** For security purpose, reinstall screws (Type A) at cabinet's sides.



8. Cut the Foam-strip to the proper length and insert between the upper window sash and the lower window sash.(See Fig. 12)

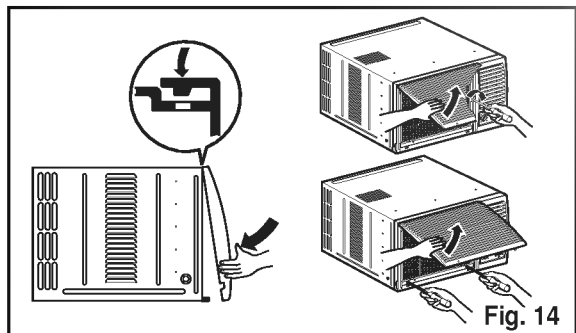


9. Attach the Window locking bracket with a screw (Type C.) (See Fig. 13)

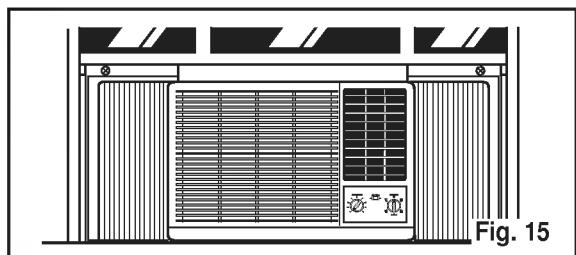


10. Attach the front grille to the cabinet by inserting the tabs on the grille into the tabs on the front of the cabinet. Push the grille in until it snaps into place.(See Fig.14)

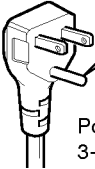

11. Lift the inlet grille and secure it with a screw (Type A) through the front grille.(See Fig. 14)



12. *Window installation of room air conditioner is now completed. See ELECTRICAL DATA for attaching power cord to electrical outlet.*



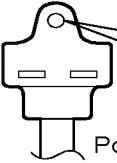

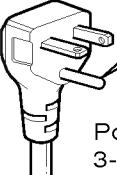
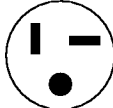
## Electrical Data(For 115V model only)

Line Cord Plug	Use Wall Receptacle	Power Supply
 <p data-bbox="295 478 519 525">Power supply cord with 3-prong grounding plug</p>	 <p data-bbox="648 458 1002 515">Standard 125V, 3-wire grounding receptacle rated 15A, 125V AC</p>	<p data-bbox="1055 413 1307 501">Use 15 AMP. time delay fuse or 15 AMP. circuit breaker.</p>

### USE OF EXTENSION CORDS

Because of potential safety hazards, we strongly discourage the use of an extension cord. However, if you wish to use an extension cord, use a CSA certified/UL-listed 3-wire (grounding) extension cord, rated 15A, 125V.

## Electrical Data(For 230/208V model only)

Line Cord Plug	Use Wall Receptacle	Power Supply
 <p data-bbox="284 981 561 1034">Power supply cord with 3-prong grounding plug</p>	 <p data-bbox="620 981 1012 1034">Standard 250V, 3-wire grounding receptacle rated 15A, 250V AC</p>	<p data-bbox="1055 897 1307 976">Use 15 AMP. time delay fuse or 15 AMP. circuit breaker.</p>
 <p data-bbox="284 1197 561 1250">Power supply cord with 3-prong grounding plug</p>	 <p data-bbox="620 1197 1012 1250">Standard 250V, 3-wire grounding receptacle rated 20A, 250V AC</p>	<p data-bbox="1055 1113 1307 1191">Use 20 AMP. time delay fuse or 20 AMP. circuit breaker.</p>

All wiring should be made in accordance with local electrical codes and regulations.

**Aluminum house wiring may pose special problems. Consult a qualified electrician.**

## ■ ELECTRICAL SAFETY

### IMPORTANT GROUNDING INSTRUCTIONS

Air conditioner has a three-prong grounding plug on its power supply cord, which must be plugged into properly grounded three-prong wall receptacle for your protection against possible shock hazard.

### 230, 208, and 230/208 VOLT UNITS

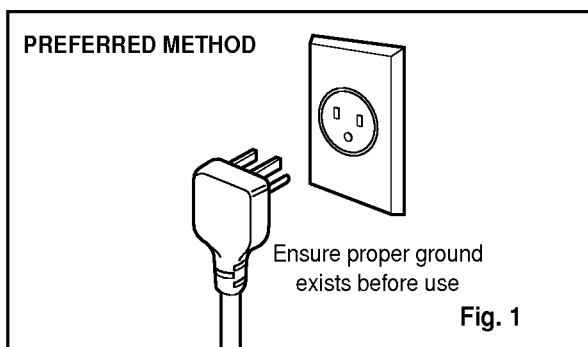
These units are equipped with a three-prong grounding plug on the power supply cord, which must be plugged into a matching properly grounded three-prong wall receptacle for your protection against possible shock hazard. If such an outlet is not present, one must be installed by a qualified electrician in accordance with the National Electrical Code and local codes and ordinances.

**DO NOT USE AN EXTENSION CORD on 230, 208, and 230/208 Volt units.**

### **IMPORTANT (PLEASE READ CAREFULLY)**

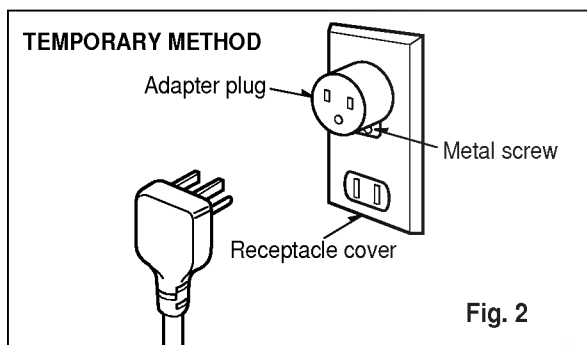
**FOR THE USER'S PERSONAL SAFETY, THIS APPLIANCE MUST BE PROPERLY GROUNDED**

The power cord of this appliance is equipped with a three-prong(grounding) plug. Use this with a standard three-slot(grounding) wall power outlet(Fig. 1) to minimize the hazard of electric shock. The customer should have the wall receptacle and circuit checked by a qualified electrician to make sure the receptacle is properly grounded.



**DO NOT CUT OR REMOVE THE THIRD(GROUND) PRONG FROM THE POWER PLUG.**

#### **A. SITUATIONS WHERE THE APPLIANCE WILL BE DISCONNECTED ONLY OCCASIONALLY:**



Because of potential safety hazards, we strongly discourage the use of an adapter plug. However, if you wish to use an adapter, a TEMPORARY CONNECTION may be made. Use UL-listed adapter, available from most local hardware store(Fig. 2). The large slot in the adapter must be aligned with the large slot in the receptacle to assure a proper polarity connection.

#### **CAUTION**

**Attaching the adapter ground terminal to the wall receptacle cover screw does not ground the appliance unless the cover screw is metal, and not insulated, and the wall receptacle is grounded through the house wiring. The customer should have the circuit checked by a qualified electrician to make sure the receptacle is properly grounded.**

Disconnect the power cord from the adapter, using one hand on each. Otherwise, the adapter ground terminal might break. **DO NOT USE** the appliance with a broken adapter plug.

#### **B. SITUATIONS WHERE THE APPLIANCE WILL BE DISCONNECTED OFTEN.**

Do not use an adapter plug in these situations. Unplugging the power cord frequently can lead to an eventual breakage of the ground terminal. The wall power outlet should be replaced by a three-slot(grounding) outlet instead.

#### **USE OF EXTENSION CORDS**

Because of potential safety hazards, we strongly discourage the use of an extension cord. However, if you wish to use an extension cord, use a CSA certified/UL-listed 3-wire(grounding) extension cord, rated 15A, 125V.

# Before you call for service...

## Troubleshooting Tips

Save time and money! Review the chart below first and you may not need to call for service.

### Normal Operating

- You may hear a pinging noise caused by water being picked up and thrown against the condenser on rainy days or when the humidity is high. This design feature helps remove moisture and improve efficiency.
- You may hear the thermostat click when the compressor cycles on and off.
- Water will collect in the base pan during high humidity or on rainy days. The water may overflow and drip from the outdoor side of the unit.
- The fan may run even when the compressor does not.

### Abnormal Operation

<p><b>Air conditioner does not start</b></p>	<ul style="list-style-type: none"> <li>■ <i>The air conditioner is unplugged.</i></li> <li>■ <i>The fuse is blown/circuit breaker is tripped.</i></li> <li>■ <i>Power failure.</i></li> </ul>	<ul style="list-style-type: none"> <li>• Make sure the air conditioner plug is pushed completely into the outlet.</li> <li>• Check the house fuse/circuit breaker box and replace the fuse or reset the breaker.</li> <li>• If power failure occurs, turn the mode control to <b>OFF</b>. When power is restored, wait 3 minutes to restart the air conditioner to prevent tripping of the compressor overload.</li> </ul>
<p><b>Air conditioner does not cool as it should</b></p>	<ul style="list-style-type: none"> <li>■ <i>Airflow is restricted.</i></li> <li>■ <i>The THERMOSTAT may not be set high enough.</i></li> <li>■ <i>TEMP Control set to a higher number.</i></li> <li>■ <i>The air filter is dirty.</i></li> <li>■ <i>The room may have been hot.</i></li> <li>■ <i>Cold air is escaping.</i></li> <li>■ <i>Cooling coils have iced up.</i></li> </ul>	<ul style="list-style-type: none"> <li>• Make sure there are no curtains, blinds, or furniture blocking the front of the air conditioner.</li> <li>• Turn the knob to a higher number. The highest setting provides maximum cooling.</li> <li>• Set the TEMP Control to a lower number.</li> <li>• Clean the filter at least every 2 weeks. See the operating instructions section.</li> <li>• When the air conditioner is first turned on you need to allow time for the room to cool down.</li> <li>• Check for open furnace floor registers and cold air returns.</li> <li>• Set the air conditioner's vent to the closed position.</li> <li>• See Air Conditioner Freezing Up below.</li> </ul>
<p><b>Air conditioner freezing up</b></p>	<ul style="list-style-type: none"> <li>■ <i>Ice blocks the air flow and stops the air conditioner from cooling the room.</i></li> </ul>	<ul style="list-style-type: none"> <li>• Set the mode control at <b>Med Fan</b> or <b>High Cool</b> with the thermostat at <b>1</b> or <b>2</b>.</li> <li>• Set the mode control at <b>High Fan</b> or <b>High Cool</b> with the high temperature.</li> </ul>





# MEMO

A series of horizontal dotted lines for writing.

