

A light blue line drawing of the front left side of a car, showing the headlight, grille, and wheel. The drawing is semi-transparent and serves as a background for the text.

OWNER'S MANUAL

V-CA701H**

Bagless vacuum cleaner



Table of contents

Information for Your Safety	3
How to Use	4
Assembling the Cleaner	4
Using the Cleaning head and Accessory Nozzles	6
Using the Air turbine brush and Elbow tube	8
Emptying the Dust Chamber	9
Operation	10
How to Plug in and Use	10
Adjusting the Suction power	10
Park-System	10
Storage	10
Cleaning the Motor Filter, Air Cleaner and the Dust Chamber	11
Cleaning the Exhaust Filter	12
What to Do if your Vacuum Cleaner Does Not Work	13
What to Do When Suction Performance Decreases	13



Information for Your Safety

Please read all the following information, which contains important instructions for the safety, the use and the maintenance of the appliance.

This appliance complies with the following EC Directives: -73/23/EEC, 93/68/EEC-Low Voltage Directive-89/336EEC -EMC Directive.

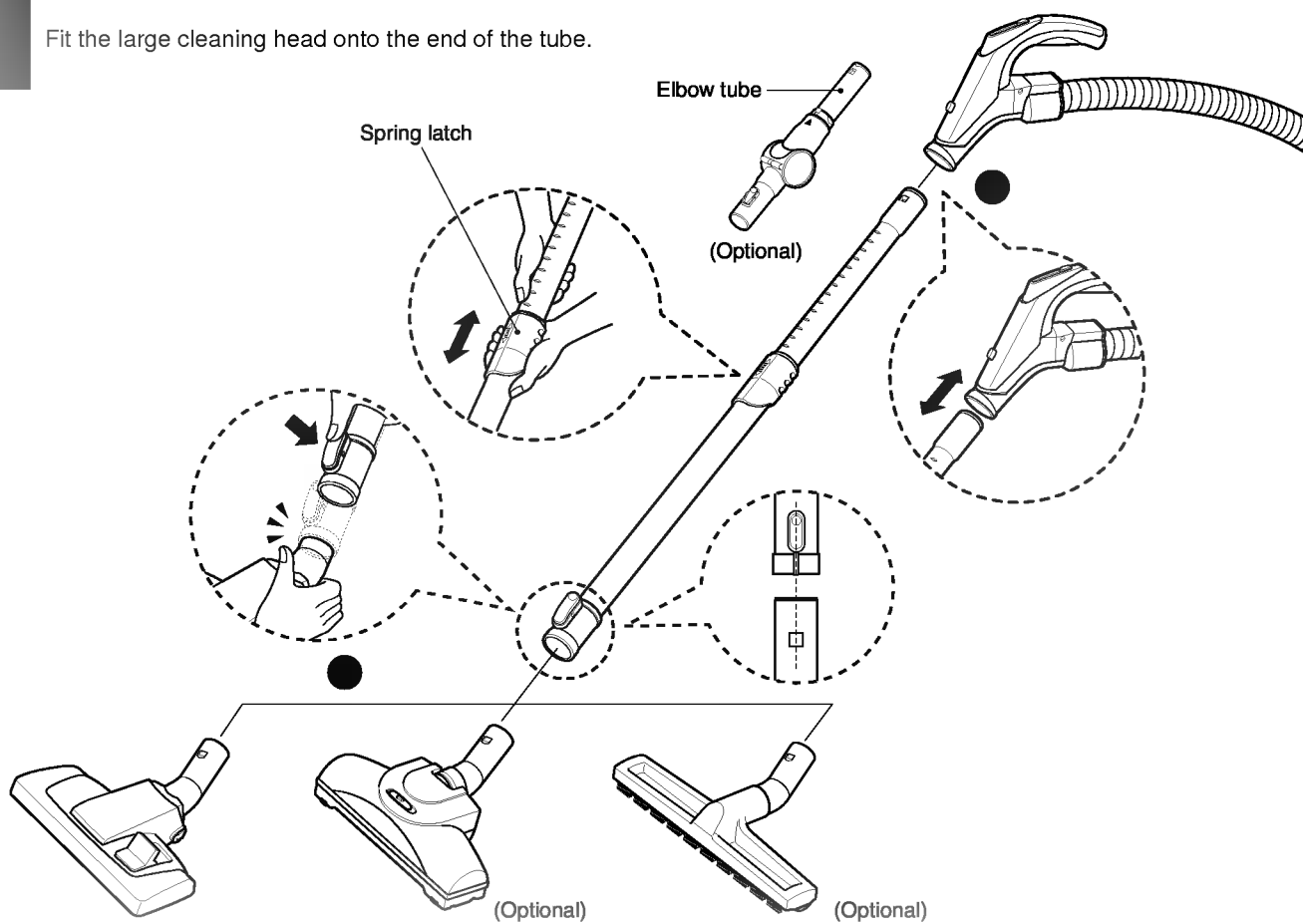
- Never allow children to use the appliance unsupervised.
- Do not allow it to use as a toy, injury could result.
- Do not continue to the cleaner if any appears to be faulty, missing or damaged.
In these cases, contact an approved LG Electronics Service Agent.
- Repairs, when necessary, must be performed at an approved LG Electronics Service Agent.
- Only use parts produced or recommended by LG doing otherwise could invalidate your guarantee.
- Do not use without the dust tank or air filter.
- Do not use the vacuum cleaner If the power cord is damaged or faulty.
- If the power cord is damaged, it must be replaced by an approved LG Electronics Service Agent to avoid a hazard.
- Do not unplug by pulling on cord.
- Do not pull on the supply cord, run over it, pull it around sharp edhes or near/over hot surfaces.
- Always turn the vacuum cleaner off before:
 - Emptying the dust chamber.
 - Cleaning or changing the filter.
 - Romoving from the mains outlet.
- Do not leave vacuum cleaner with the plug connected to a mains outlet-unplug when not in use.
- Do not use the vacuum with any of the openings blocked with any object that may restrict the airflow.
- Do not put any part of the body, colthes or any object (e.g. stick) or into the opening or moving parts of the clsaner.
- Do not use outdoors.
- Do not vacuum hot ash, embers etc. or sharp objects.
- Do not vacuum flammable or explosive substances(liquids or gases).
- Do not vacuum water or other liquids.
- Do not handle the cleaner or plug with wet hands.
- Do not immerse the whole cleaner in water.
- Do not use vacuum cleaner without repaired if it was under water.
- When you vacuum with an attachment appliance that has a rotating brush roller:
 - Do not reach into the running brush roller.
- The appliance is not intended for use by young children or infirm persons without supervision.
 - Young children should be supervised to ensure that they do not play with the appliance.

Thermal protector: This vacuum cleaner has a special thermostat that protects the cleaner in case of motor overheating. If the cleaner suddenly shuts off, turn off the switch and unplug the cleaner. Check the cleaner for a possible source of overheating such as a full dust chamber, a blocked hose or clogged filter. If these conditions are found, fix them and wait at least 30 minutes before attempting to use the cleaner. After the 30 minutes period, plug the cleaner back in and turn on the switch. If the cleaner still does not run, contact a qualified electrician.



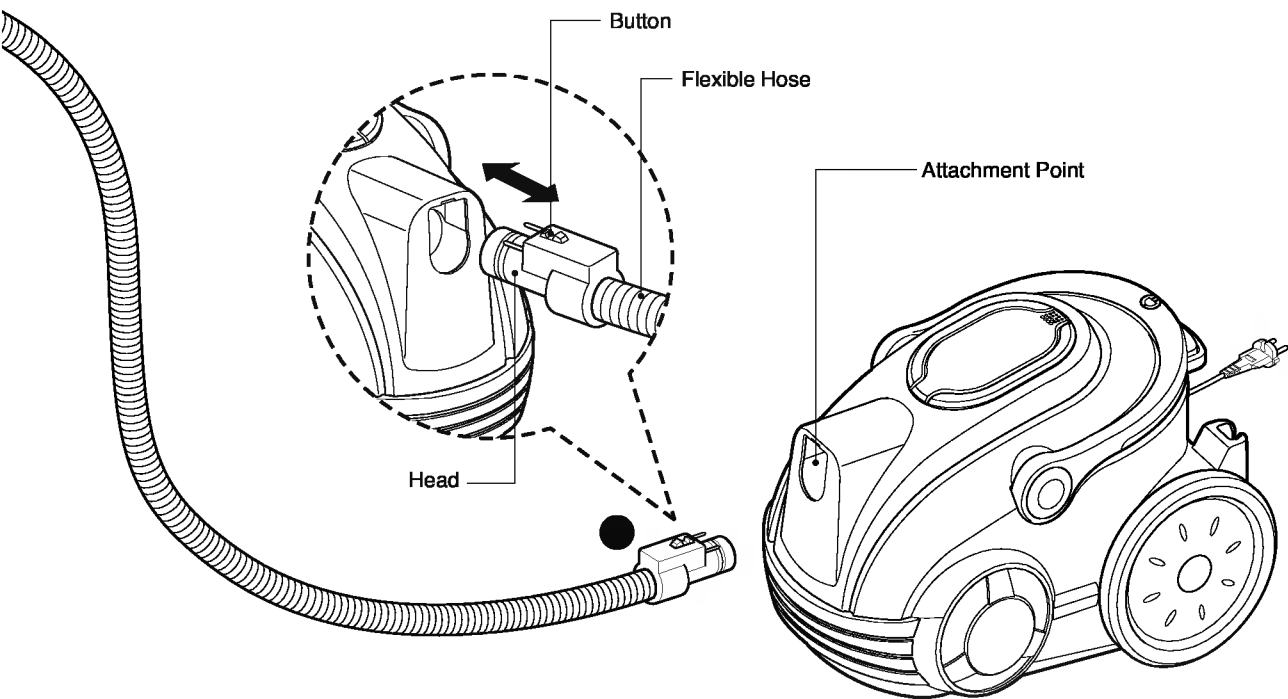
How to Use **Assembling the Cleaner**

Fit the large cleaning head onto the end of the tube.



Push the head onto the telescopic tube.

- Press the spring latch to release.
- Pull out the tube to the desired length.
- Release spring latch to lock the tube in position.
- Push telescopic tube into hose handle firmly.

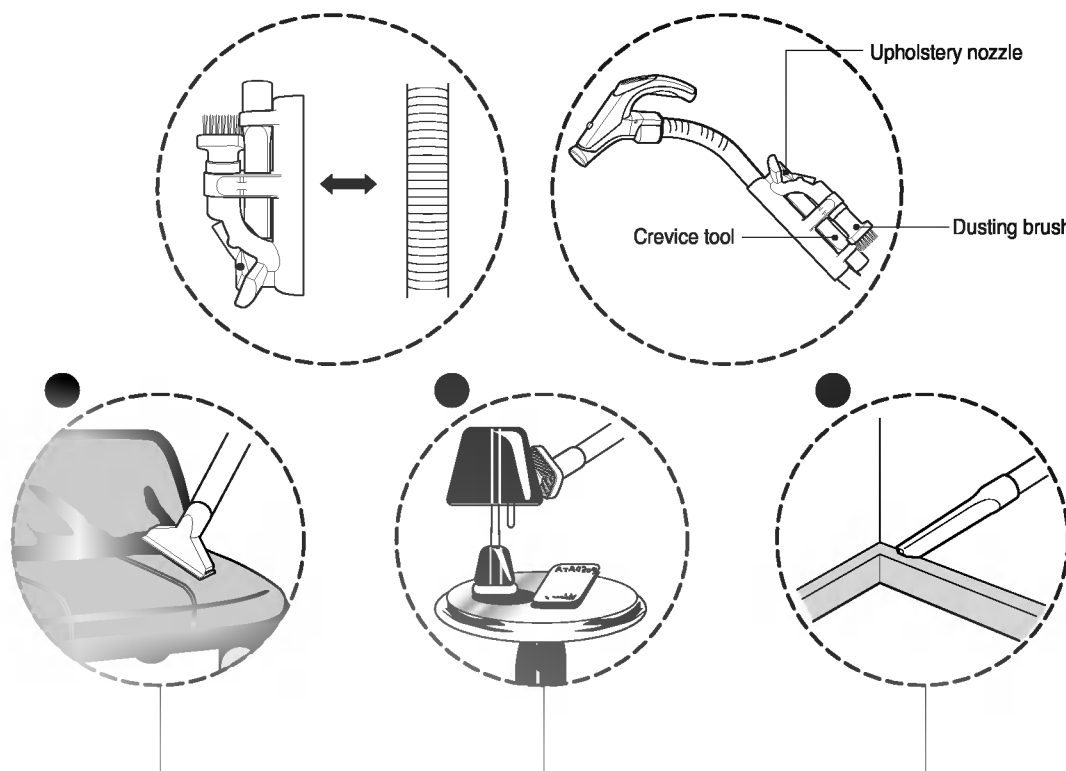


Push the end of the head on the flexible hose into the attachment point on the vacuum cleaner. To remove the flexible hose from the vacuum cleaner, press on the button situated on the head, then pull the head out of the vacuum cleaner.

How to Use Using the Cleaning head and Accessory Nozzles

When the accessory holder is to be connected to the hose.

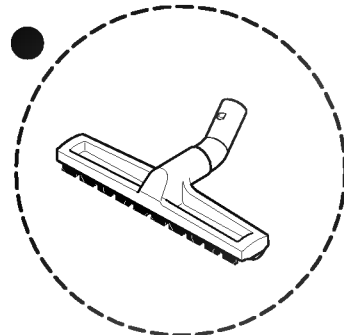
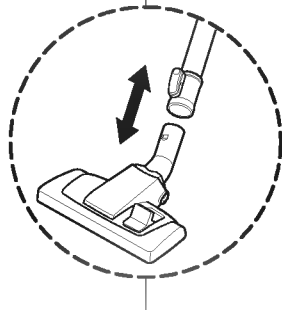
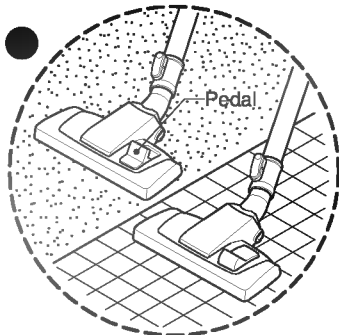
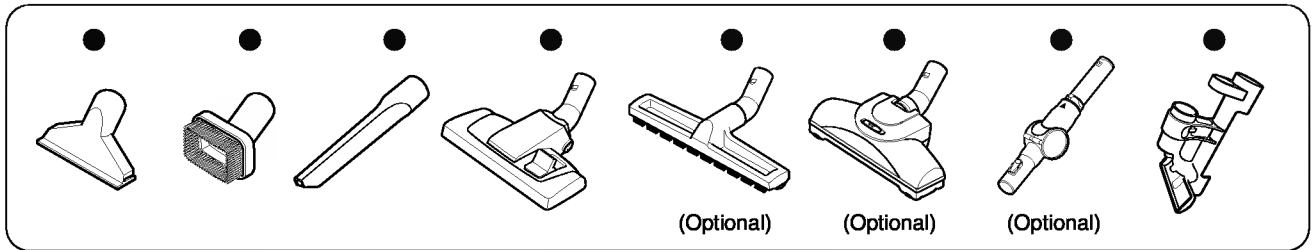
Hold the hose and push the holder at the desired position of the hose.



Upholstery Nozzle is for vacuuming upholstery, mattresses, etc. The thread collectors help to pick up the threads and fluff.

Dusting Brush is for vacuuming picture frames, furniture frames, books and other irregular surfaces.

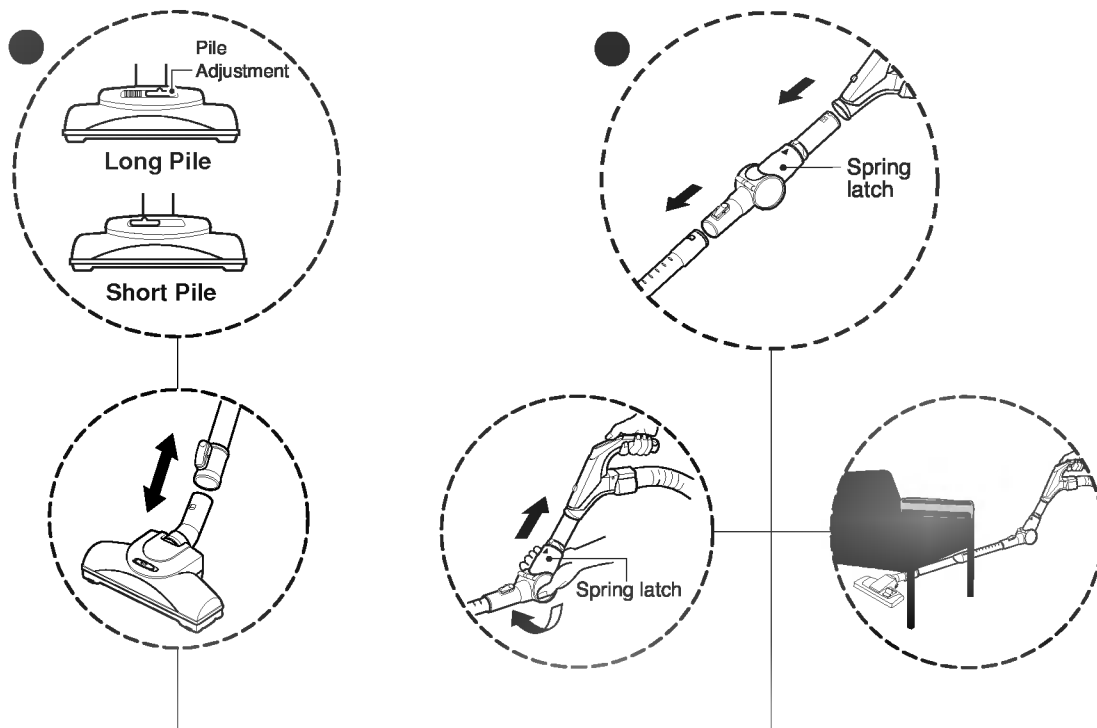
Crevice Tool is for vacuuming in those normally hard-to-reach places such as reaching cobwebs, or between the cushions of a sofa.



- **The 2 position cleaning head** equipped with a pedal which allows you to alter its position according to the type of floor to be cleaned.
- **Hard floor position (tiles, parquets floor)**
Press the pedal to lower brush.
- **Carpet or rug position**
Press the pedal to lift the brush up.

- Efficient cleaning of hard floors (wood, linoleum, etc)

How to Use Using the Air turbine brush and Elbow tube

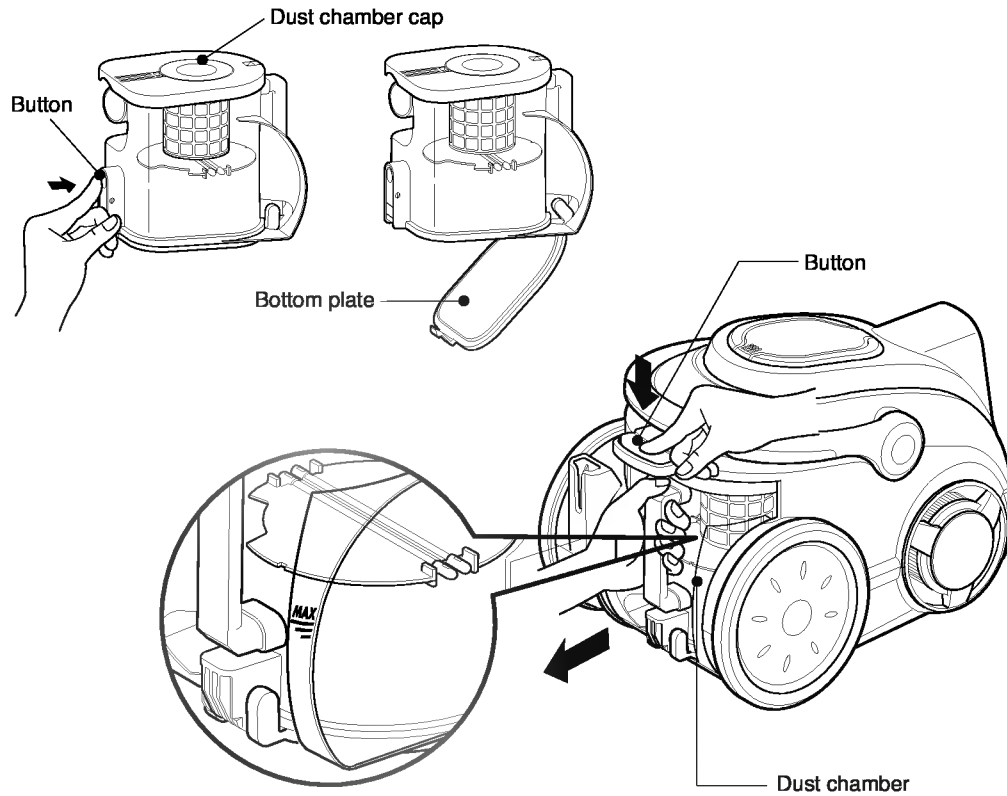


- Slide the Pile Adjustment to the right for long pile and to the left for short pile.

Elbow tube is for cleaning under the sofa, table and bed easily.

- Connect the elbow tube to the flexible hose and, connect the telescopic tube to the elbow tube. (You can also connect the telescopic tube to the flexible hose without the elbow tube.)
- If you pull the spring latch, the elbow tube is bended.
- If you stretch the elbow tube, it is returned to its position.

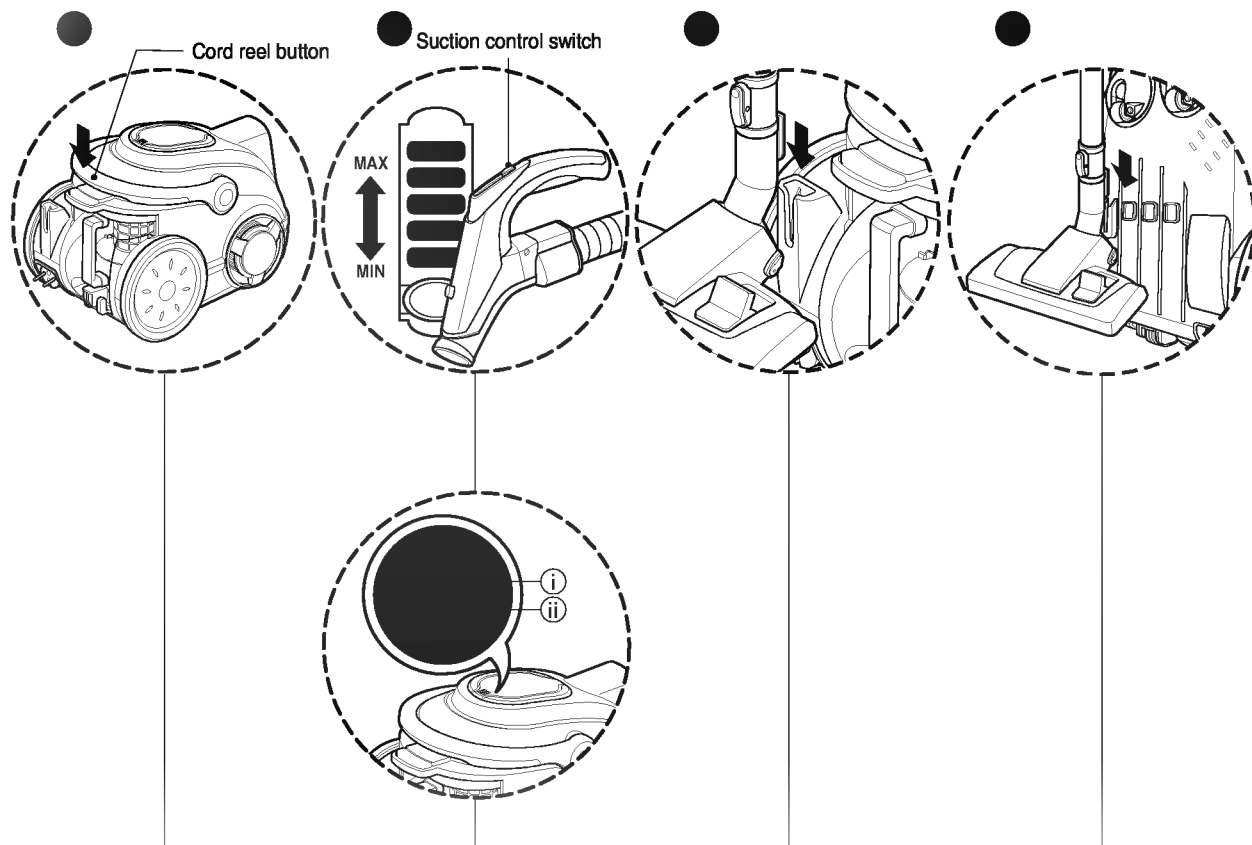
Emptying the Dust Chamber



The dust chamber needs emptying when dust reaches the MAX indicator on the dust chamber.

- Turn off the vacuum cleaner and unplug it.
- Press the button of the cover and pull the dust chamber out.
 - ① Remove the dust chamber cap and empty the dust chamber.
 - ② Push the button, then dust will fall down as the button plate is open.
- To reinstall the dust chamber, replace the dust chamber cap and push the dust chamber into the tank mount as far as it will go.

How to Use Operation



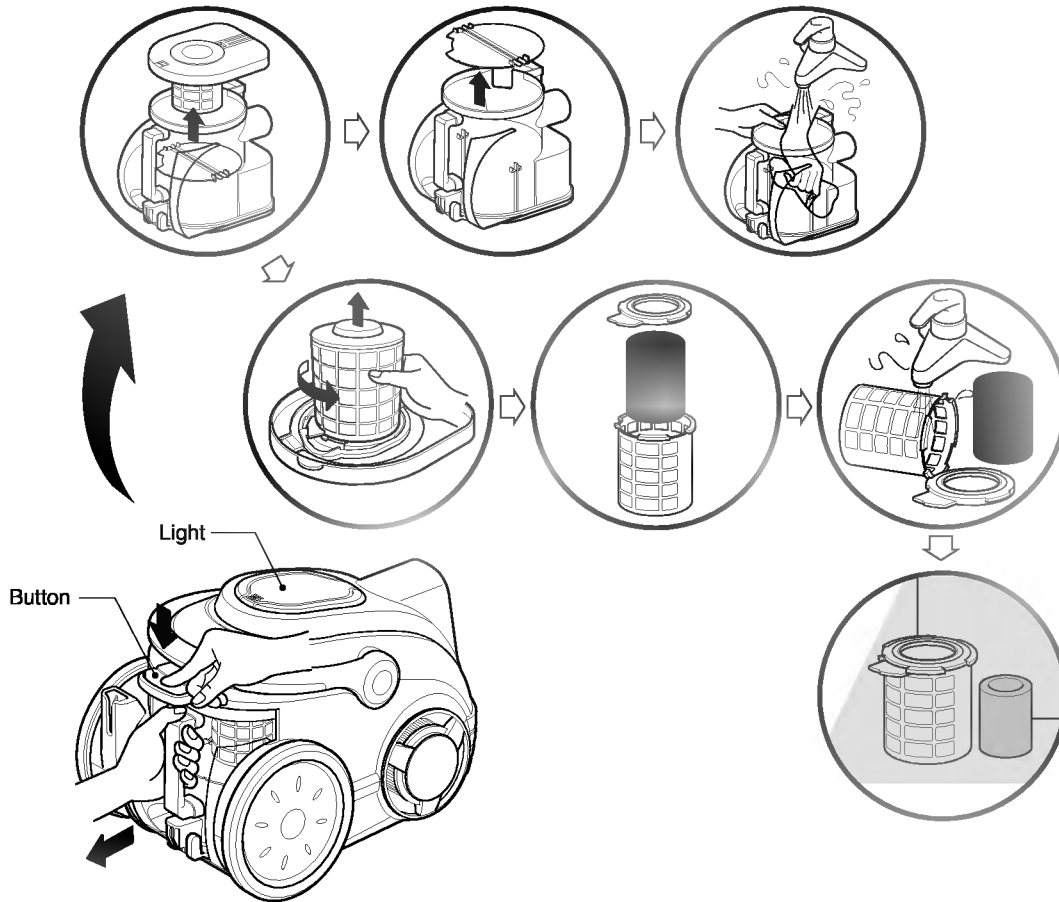
- Pull out the power cable to the desired length and put plug into the socket.
- Press the cable reel button to retract the power cord after use.

- Adjust the power by using the power control switch on the handle.
- When this lamp is on which means the dust chamber is full, pls empty the dust chamber.
- Once you plug in an outlet, this lamp will be on and it generates fresh ion ('-' ion) automatically.

- To store after vacuuming and pause while vacuuming.
- For deposit after vacuuming, for example to move a small piece of furniture or a rug, use the Park system to support the flexible hose and cleaning head.
 - Slide the hook on the large cleaning head into the slot on the rear of the vacuum cleaner.

- When you have switched off and unplugged.
- The appliance, press on the button to automatically rewind the cord.
- You can store your appliance in a vertical position by sliding the hook on the large cleaning head into the clip on the underside of the appliance.

Cleaning the Motor Filter / Air cleaner and the Dust Chamber



The permanent motor filter is situated under the dust chamber cap.

When the filter light comes on the Motor Filter requires cleaning.

- Press the button of cover and pull the dust chamber out.
- Open the dust chamber cap.
- **Cleaning the Motor Filter.**
 - Remove the motor filter by rotating it counter-clockwise.
 - Clean the motor filter.
 - Allow the motor filter to dry naturally, the motor filter should be cleaned every 6 months.
- **Cleaning the Dust Chamber.**
 - Remove two plates from the dust chamber.
 - Wash both parts with soft cloth. Gently rinse both parts under cold running water.

WARNING!

Gently rinse both parts separately under a cold running water until the water runs clear. **Hand wash only with damp cloth.**

Shake off excess water from the filter.

Do not tumble/spindry, microwave or place in oven or on direct heat.

Ensure the filter is completely dry.

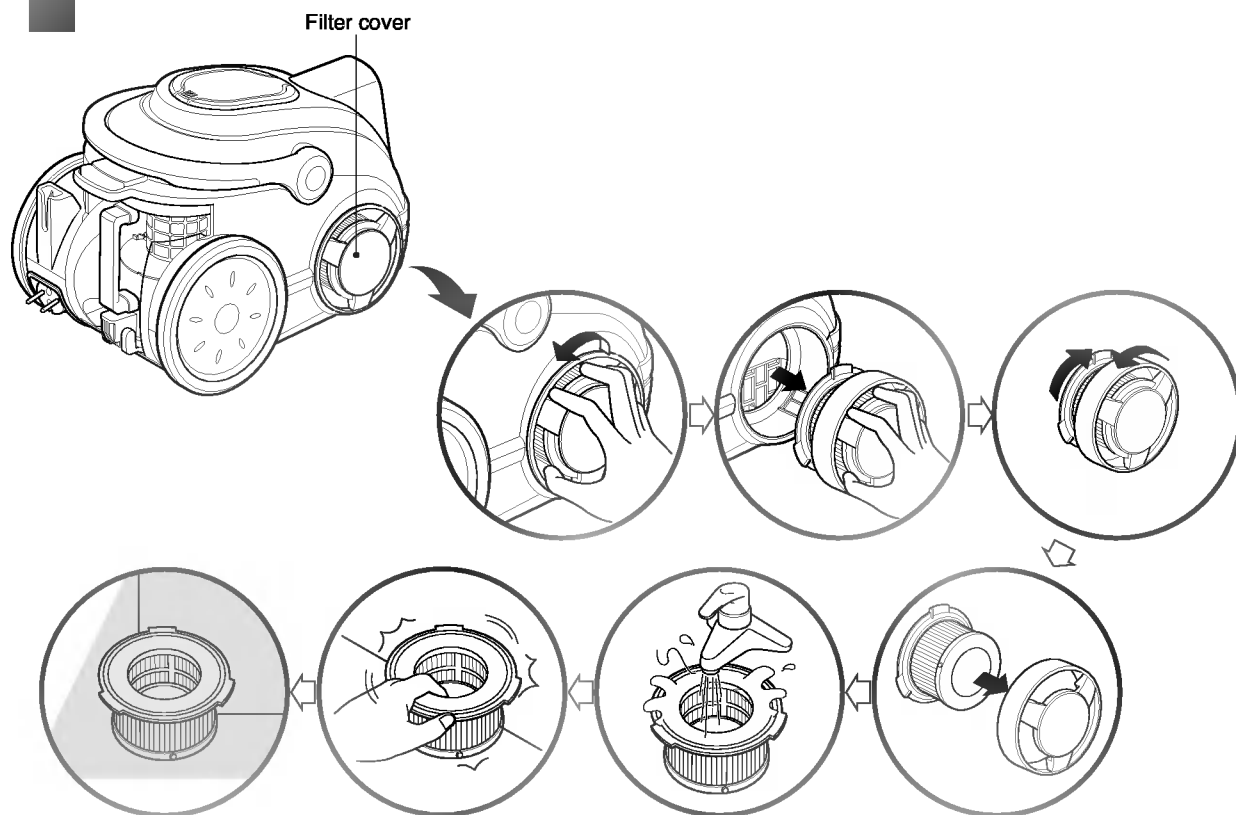
Re-assemble and place it back in your machine, filter frame.

If the filter is damaged, do not place them in the machine.

Please call the Helpline.



How to Use Cleaning the Exhaust Filter



- The exhaust filter is a washable reusable HEPA filter.
- To clean the exhaust filter, remove the filter cover on the body by rotating the filter cover counter-clockwise.
- Pull out the exhaust filter.
- Clean it with cold, running water. Do Not use the brush as this will damage the filter.
- Allow exhaust filter to dry completely in a shaded location for a dry.
- The exhaust filter should be cleaned at least once a year.

What to Do if Your Vacuum Cleaner Does Not Work

Check that the vacuum cleaner is plugged in correctly and that the electrical socket is working.

What to Do When Suction Performance Decreases

- Turn off the vacuum cleaner and unplug it.
- Check the telescopic tube, flexible hose and cleaning tool for blockages or obstructions.
- Check that the dust chamber is not full. Empty if necessary.
- Check that the exhaust filter is not blocked. Clean the exhaust filter, if necessary.



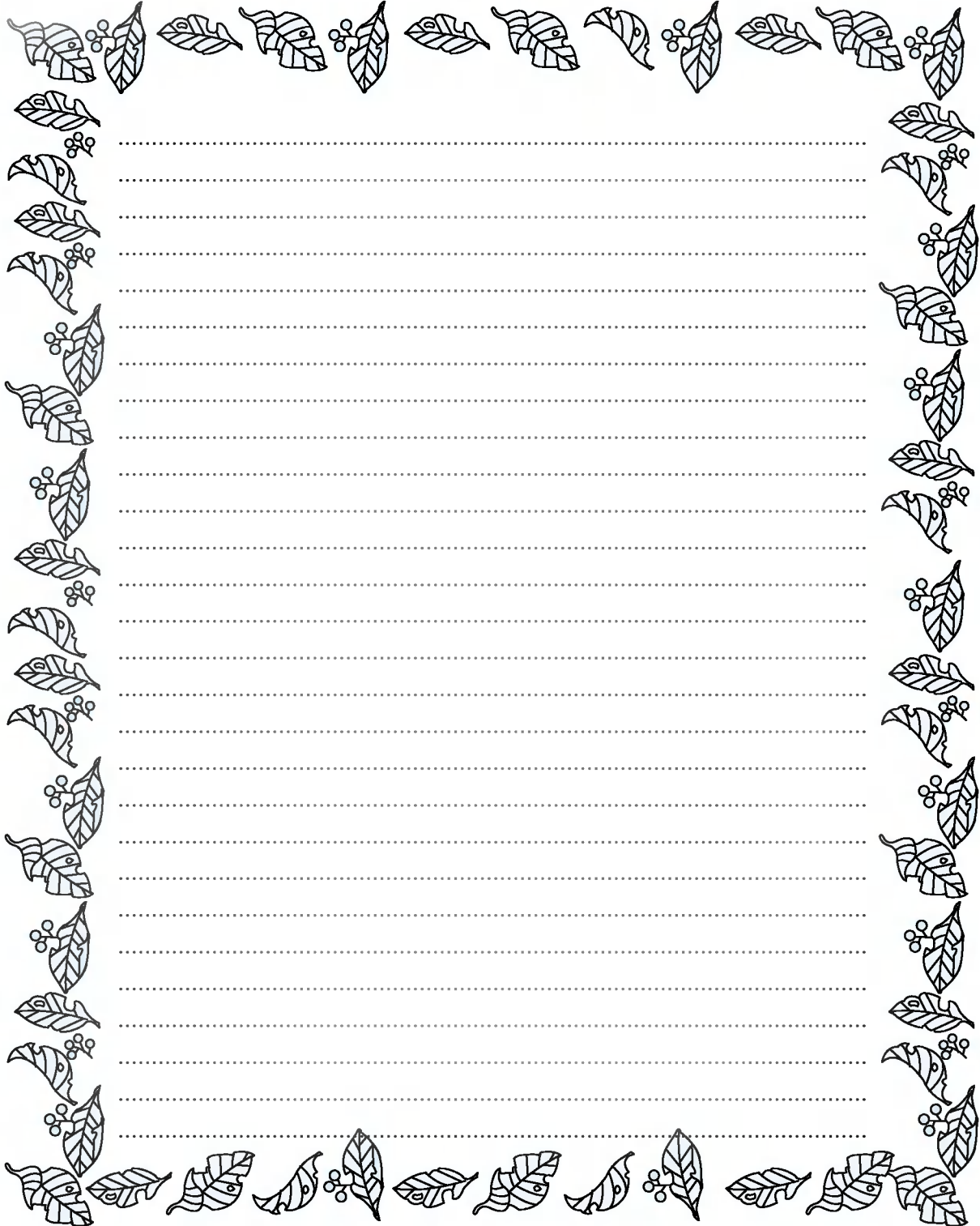
WARNING!

Should it become necessary to replace the moulded plug then the detective plug should be replaced by a qualified electrician.

Notes



Notes





P/No.: 3828Fi2846Q



3828Fi2846Q