

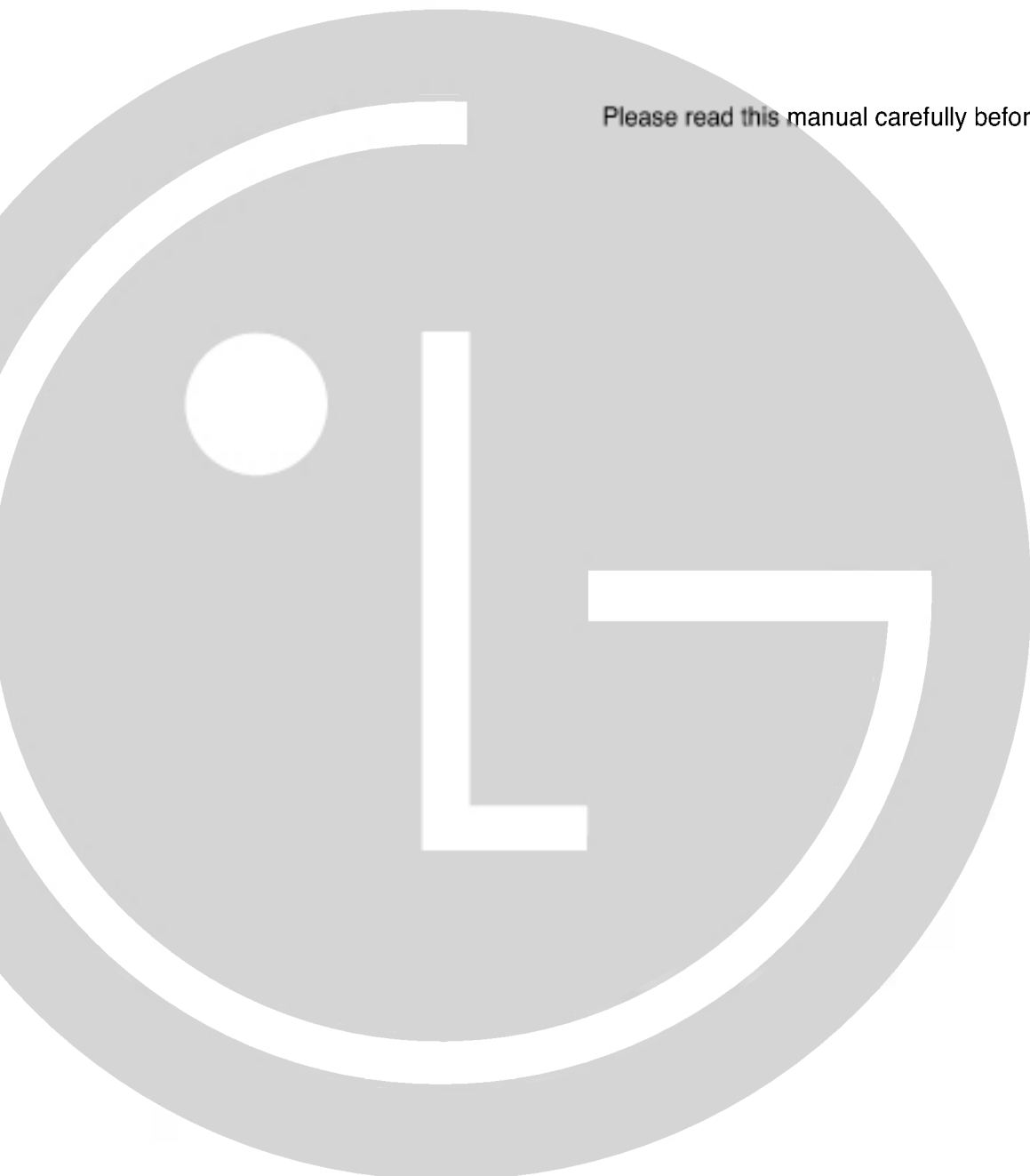


CD/RADIO CASSETTE RECORDER



Owner's Manual

MODEL : CD-323A (AM/FM)

Please read this manual carefully before operating your set.



WARNING

	CAUTION RISK OF ELECTRIC SHOCK DO NOT OPEN	
CAUTION: TO REDUCE THE RISK OF ELECTRIC SHOCK DO NOT REMOVE COVER (OR BACK) NO USER SERVICEABLE PARTS INSIDE. REFER SERVICING TO QUALIFIED SERVICE PERSONNEL.		

CAUTION

Use of controls or adjustments or performance of procedures other than those specified herein may result in hazardous radiation exposure.

Laser component in this product is capable of emitting radiation exceeding the limit for Class 1.

CAUTION: INVISIBLE LASER RADIATION WHEN OPEN AND INTERLOCKS DEFEATED. AVOID EXPOSURE TO BEAM.

WARNING: OSYNLIG LASERSTRÅLNING NÄR DENNA DEL ÄR ÖPPNAD STRÅLEN ÄR FARLIG.

Attention: Quand l'appareil est ouvert, ne pas s'exposer aux radiations invisibles du faisceau laser.

Explanation Graphical Symbols:



The lightning flash with arrowhead symbol, within an equilateral triangle is intended to alert the user to the presence of uninsulated dangerous voltage within the product's enclosure that may be of sufficient magnitude to constitute a risk of electric shock to persons.



The exclamation point within an equilateral triangle is intended to alert the user to the presence of important operating and maintenance (servicing) instructions in the literature accompanying the appliance.

WARNING

TO REDUCE THE RISK OF FIRE OF ELECTRIC SHOCK, DO NOT EXPOSE THIS APPLIANCE TO RAIN OR MOISTURE.

To avoid electrical shock, do not open the cabinet, Refer servicing to qualified personnel only.

The apparatus shall not be exposed to dripping or splashing and that no objects filled with liquids, such as vases, shall be placed on the apparatus.

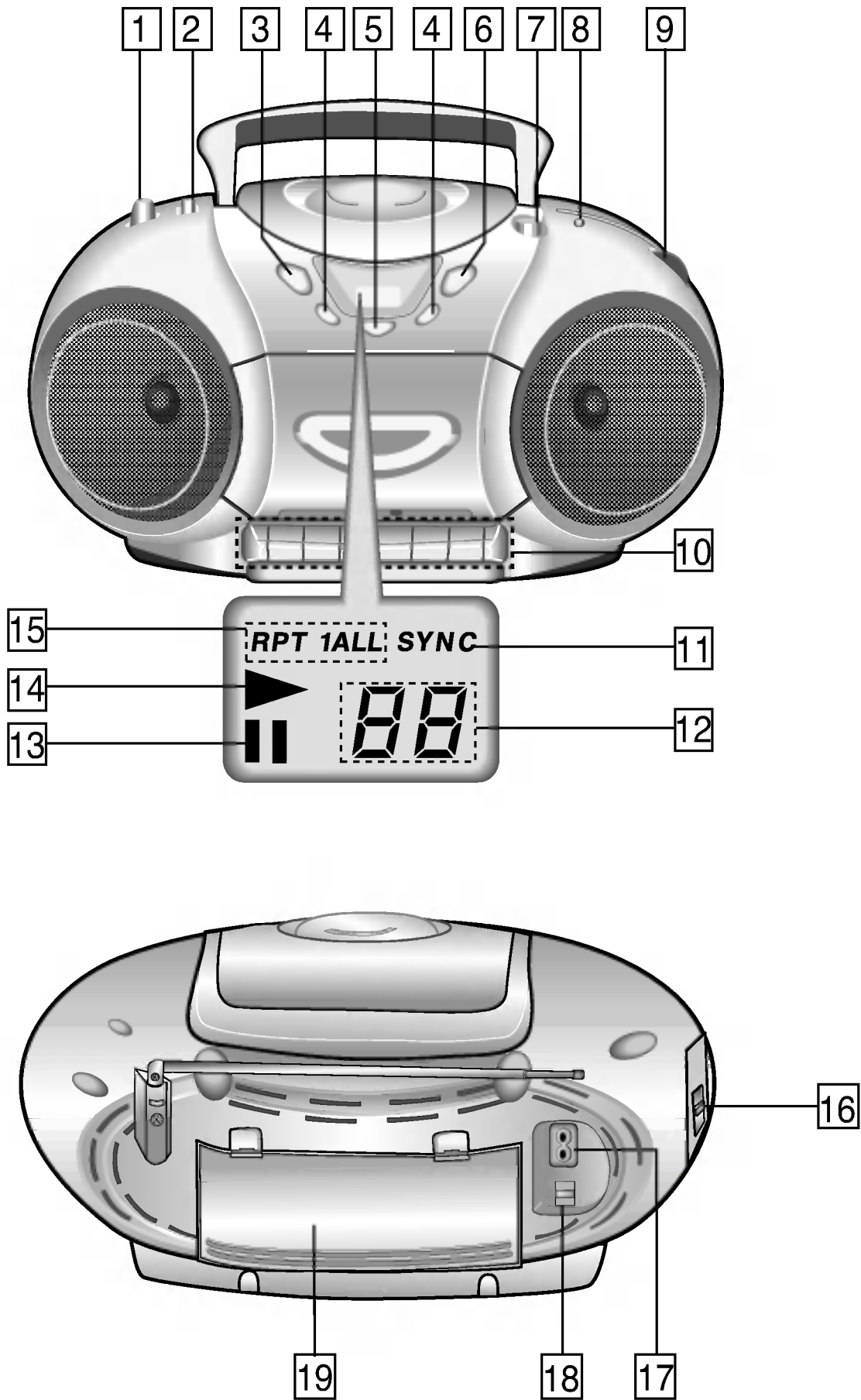
This label is located on the interior.

CLASS 1	LASER PRODUCT
KLASSE 1	LASER PRODUKT
LUOKAN 1	LASER LAITE
KLASS 1	LASER APPARAT
CLASSE 1	PRODUIT LASER

This Compact Disc player is classified as a CLASS 1 LASER product.

The CLASS 1 LASER PRODUCT label is located on the exterior.

Location of controls



Location ps

- 1 VOLUME Control
- 2 FUNCTION Switch
- 3 CD PLAY/PAUSE buttons (▶||)
- 4 CD SKIP/SEARCH buttons (|◀◀/◀◀, ▶▶/▶▶|)
- 5 CD REPEAT button
- 6 CD STOP button (■)
- 7 CD OPEN button (▲)
- 8 FM STEREO indicator
- 9 TUNING dial
- 10 Deck controls
- 11 CD SYNC indicator
- 12 CD TRACK indicator
- 13 CD Pause indicator
- 14 CD Play indicator
- 15 CD RPT 1/ALL indicator
- 16 RIF/FM MODE switch
- 17 AC Power input socket
- 18 Voltage Selector (optional)
- 19 Battery compartment

Specifications

● RADIO SECTION

Frequency range

AM.....522~1,611kHz or 530~1,610kHz

FM.....87.5~108MHz

Intermediate frequencies

AM.....455kHz

FM.....10.7MHz

Antenna

AM.....Ferrite bar antenna

FM.....Telescopic antenna

● CASSETTE SECTION

Recording system.....4 tracks 2 channel stereo

Frequency response.....125~8,000Hz

S/N ratio.....35/40dB(rec/play)

● CD PLAYER SECTION

Frequency response.....100~18,000Hz

S/N ratio.....60dB(1kHz)

● GENERAL

Speakers..... $8\Omega \times 2$

Out power(10%T.H.D)..... $1.0W \times 2$

AC operation.....Refer to the indicated
voltage on the bottom of set

Battery operation.....DC 9V, six "C"(R14)
batteries(not supplied)

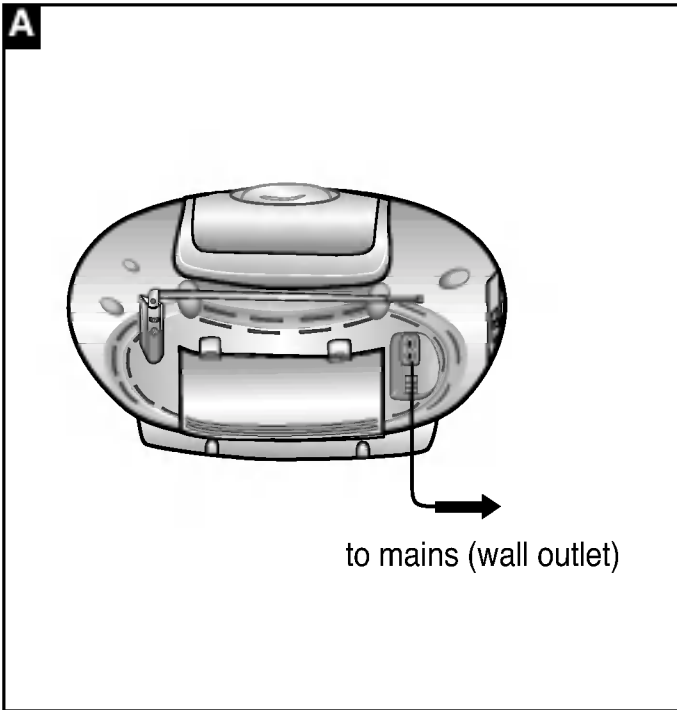
Power consumption.....11W

Dimensions(W × H × D).....338 × 178 × 230mm

Weight.....2.7kg

NOTE:

Design and specifications are subject to change without notice for improvement.



Power Source

The AC Power cord Connection

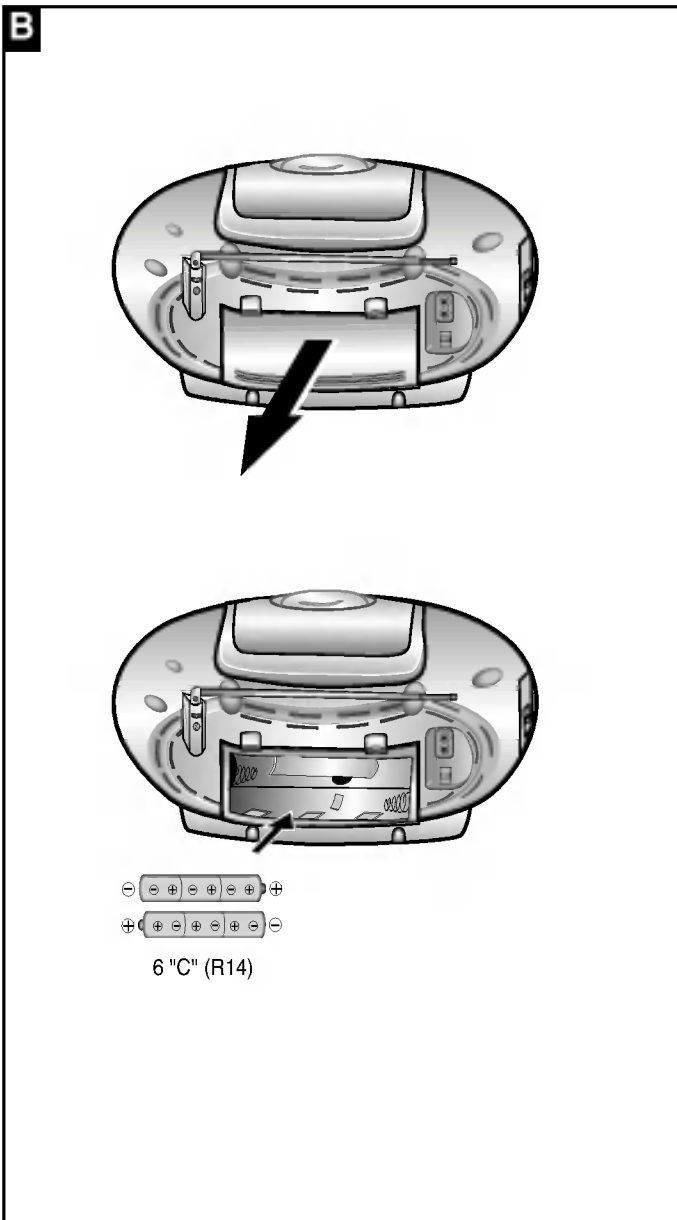
Set(see fig. A)

1. Before connecting the AC power cord, check that the operating voltage of your set is identical with the voltage of your local power supplied.
2. Connect one end of the AC power cord(supplied) to the AC IN socket located at the backside of your set.
3. Plug the other end into the wall outlet.

* Unplug the AC power cord from the wall outlet if you do not to use for an extended period of time.

Adjusting the voltage(optional)

If your set is equipped with a voltage selector at the back side, be sure to set it to your local power supplied before connecting the AC power cord.



Battery Installation

Set(see fig. B)

1. Press open the battery cover.
2. Put six "C"(R14) batteries(not supplied) into the compartment making sure the + and - are correctly positioned.
3. Replace the cover.

NOTE:

1. To avoid damage from possible battery leakage, remove the batteries if you do not plan to use the set for an extended period of time.
2. When the batteries are weak, replace all the batteries with new ones.
3. During the AC power cord connect to the wall outlet, the batteries are not worn out.

Sound Adjustment

VOLUME:

Turn **VOLUME** clockwise to increase the sound level, or anti-clockwise to decrease it.

Radio Operation

1. Set **FUNCTION** to **AM** or **FM**.
2. Tune in a station using **TUNING** dial.
3. Set **FUNCTION** to **TAPE(OFF)** to turn off your set.

STEREO or MONO:

1. Set **FM MODE** to **ST.** to listening to an FM stereo broadcast. The **FM ST.** indicator will light.
2. Set **FM MODE** to **MONO** when listening to an FM stereo broadcast. Selecting this function will substantially reduce the noise, however the stereo effect will be lost.

NOTE:

Adjust the antenna to get more clear reception.

1. **AM:** The antenna is built within the set and rotate the set for better reception.
2. **FM:** Pull the telescopic antenna out and adjust the angle and direction for better reception.

Cassette Operation

1. Set **FUNCTION** to **TAPE**.
2. Open the cassette door by pressing **■/▲ ST/EJ**.
3. Insert a cassette and push close the door.
4. Press **PLAY(▶)** to playback.
5. Press **PAUSE(▬)** to pause. Press **PAUSE** again to resume play.
6. Press **FF(▶▶)** or **REW(◀◀)** to fast forward or rewind the tape.
7. Press **■/▲ST/EJ** to stop play. Your cassette deck will automatically stop at the end of the tape.

CD Operation

To Play a CD

1. Set **FUNCTION** to **CD**.
2. Press **OPEN(▲)** to open the disc compartment.
3. Load a disc with the printed side facing up.
4. Close the disc compartment. The display will show the total number of tracks.
5. Press **PLAY/PAUSE(▶▬)** to begin play. The track number will be shown in the display.
6. Press **PLAY/PAUSE(▶▬)** to pause. When a track is paused **▬** will flash in the display.
7. Press **PLAY/PAUSE(▶▬)** again to resume play.
8. **How to search for a particular section of music on the track that is playing:**
Press and hold **SKIP/SEARCH ◀◀** or **▶▶** to search backwards or forwards, you will be able to faintly hear the track being played at high speed.
9. **How to search for a particular track on the current disc:**
Press **SKIP/SEARCH ◀◀** or **▶▶** to search for a particular track. After each press of this buttons the new track number will be shown in the display.
10. Press **STOP(■)** to stop playing a disc.

NOTE:

1. Do not tilt or move your set with discs loaded. If you do you may damage the discs and your set.
2. Do not touch the playing side of CD; the side without any printing on it.
3. Clean your CD from the middle outwards with a soft lint free cloth.

Repeat Play

By repeatedly pressing **REPEAT** the following options will be displayed in the display.

RPT 1

One track is played repeatedly

RPT ALL

An entire disc is played repeatedly.

The next press of **REPEAT** will cancel the feature.

Recording Operation

NOTE:

1. Recording levels have been preset at the factory under optimum conditions and cannot be changed.
2. Your set can record onto Normal ;
CrO2 tapes and metal tapes cannot be used.

Basic Recording

1. Set **FUNCTION** to one which you wish to record from.
2. Insert a blank cassette.
3. Press **REC ●**. **PLAY ►** goes down automatically.
(Press **REC ●** and **PLAY ►** at the same time for more easily operationg.)
4. Start playing your CD or RADIO.
5. Press **■/▲ST/EJ** to finish recording. Your cassette deck will automatically stop at the end of the tape.

* Set **RIF** on the side of set to 1,2 or 3, depending on which one best reduces the noise when AM broadcast recording.

CD Synchro Recording

This feature automatically records an entire CD onto a cassette.

1. Load a disc and set **FUNCTION** to **CD**.
2. Insert a blank cassette .
3. Press **REC ●**. **PLAY ►** goes down automatically.
(Press **REC ●** and **PLAY ►** at the same time for more easily operationg.)
When recording from a CD, the disc will start playing after about 7 seconds.
4. Press **■/▲ST/EJ** to finish recording and press **STOP(■)** to stop playing a disc.

