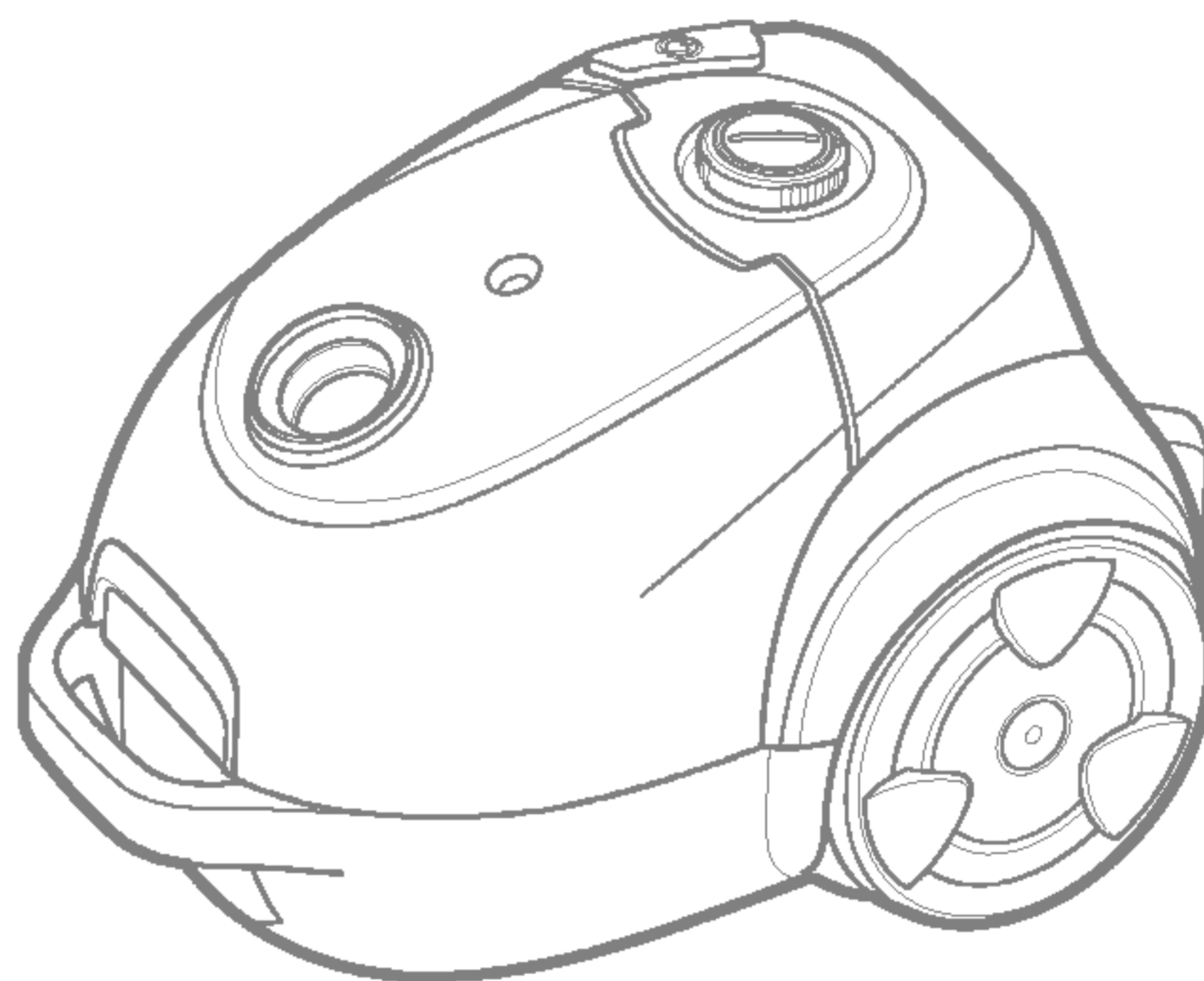
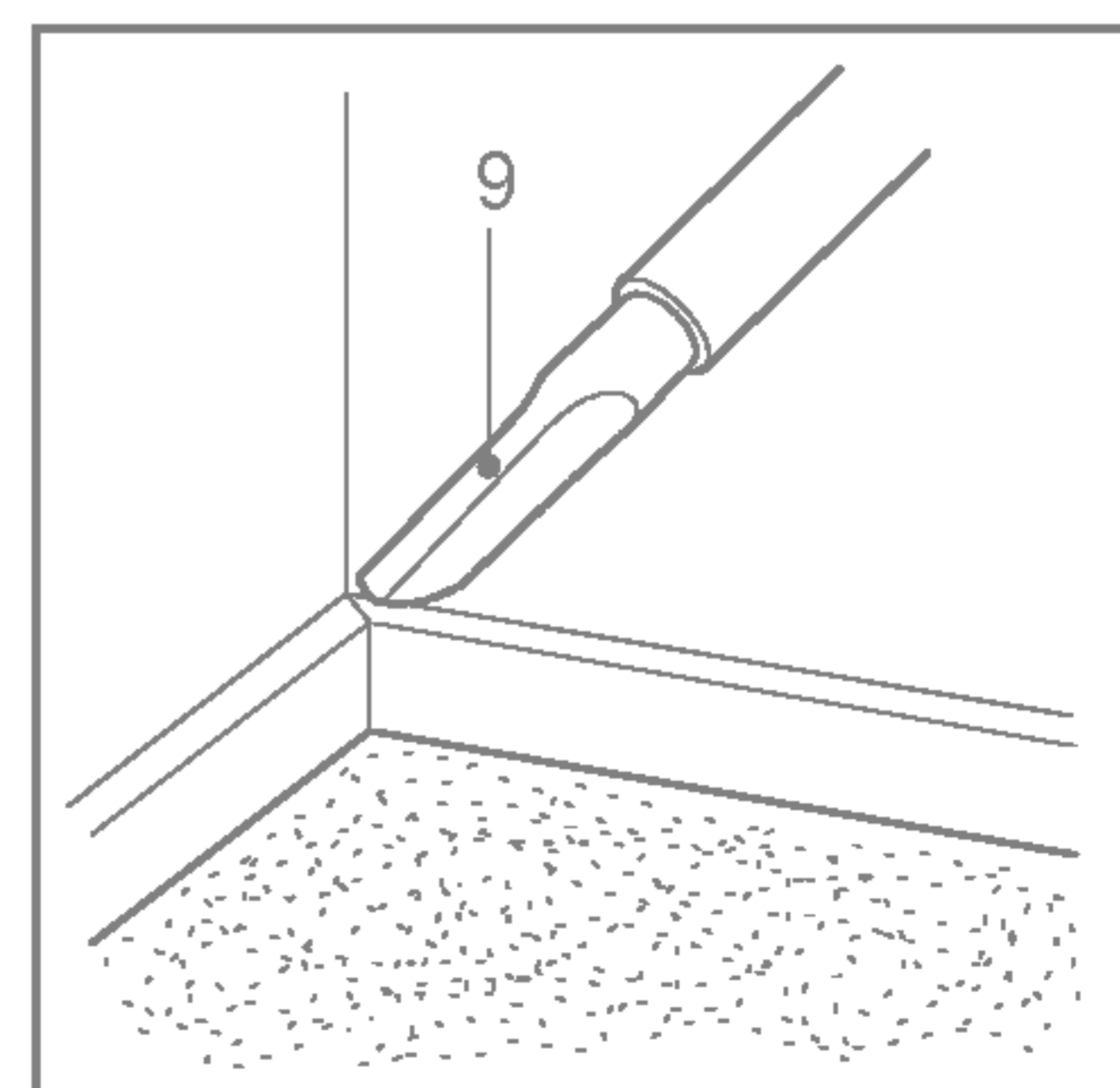
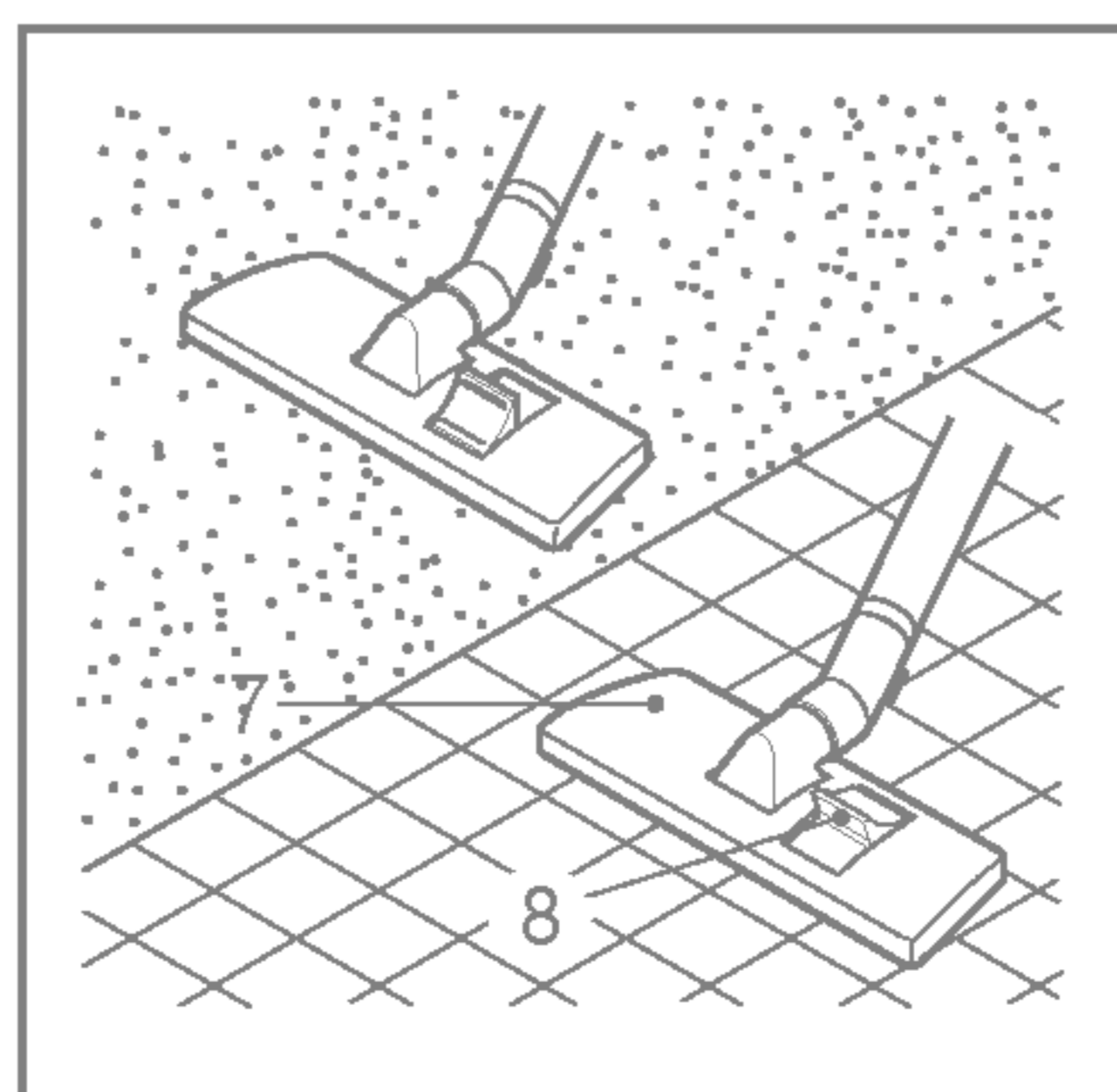
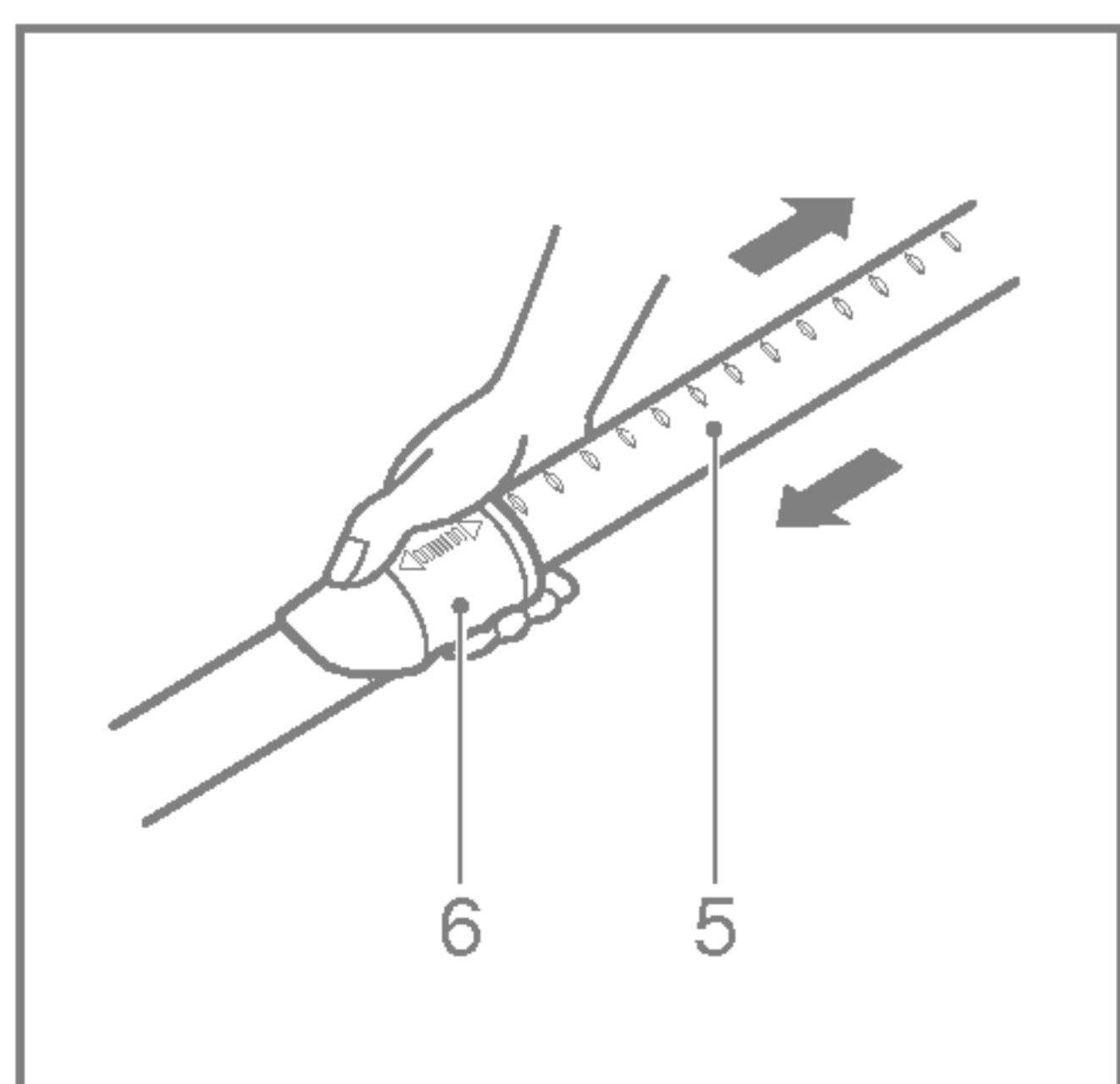
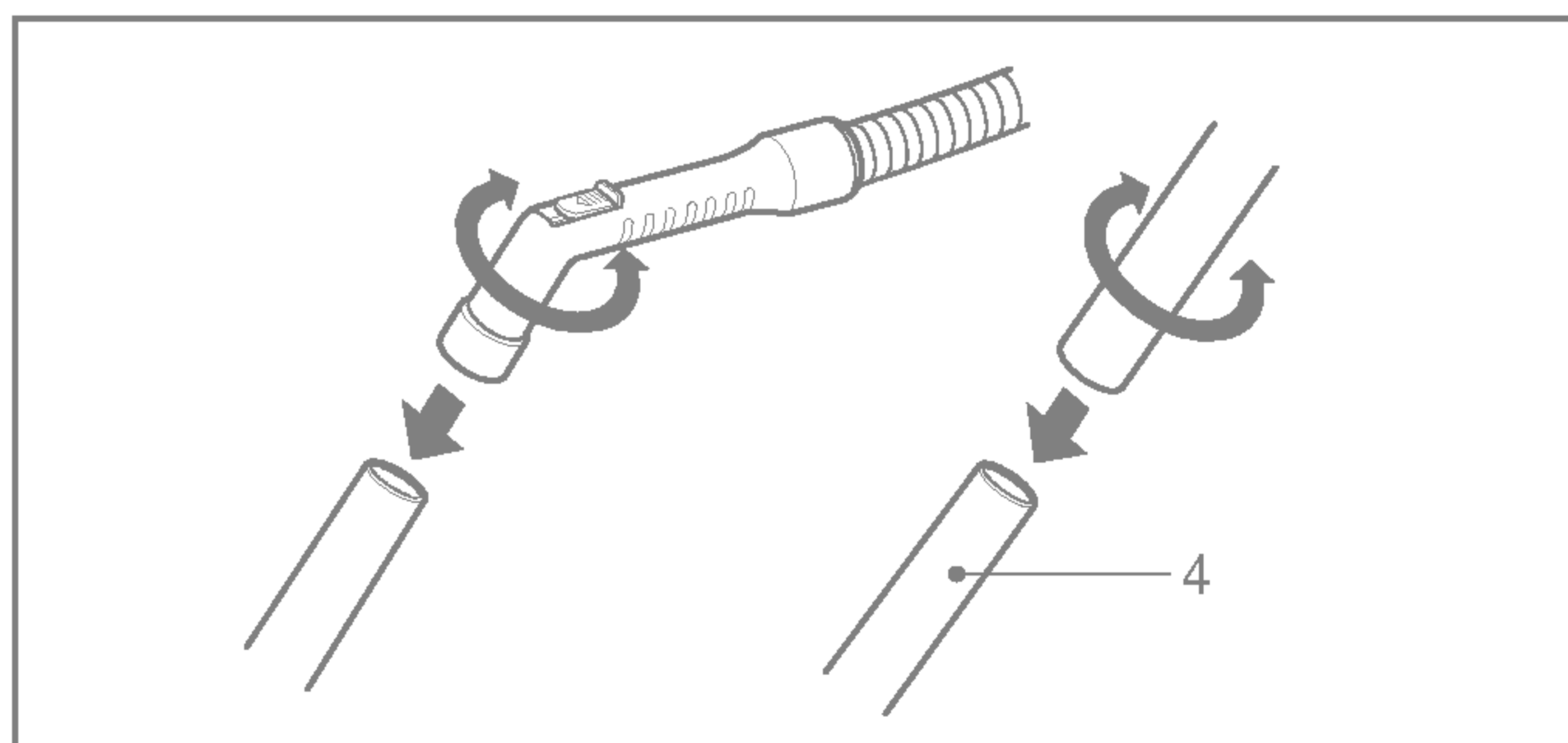
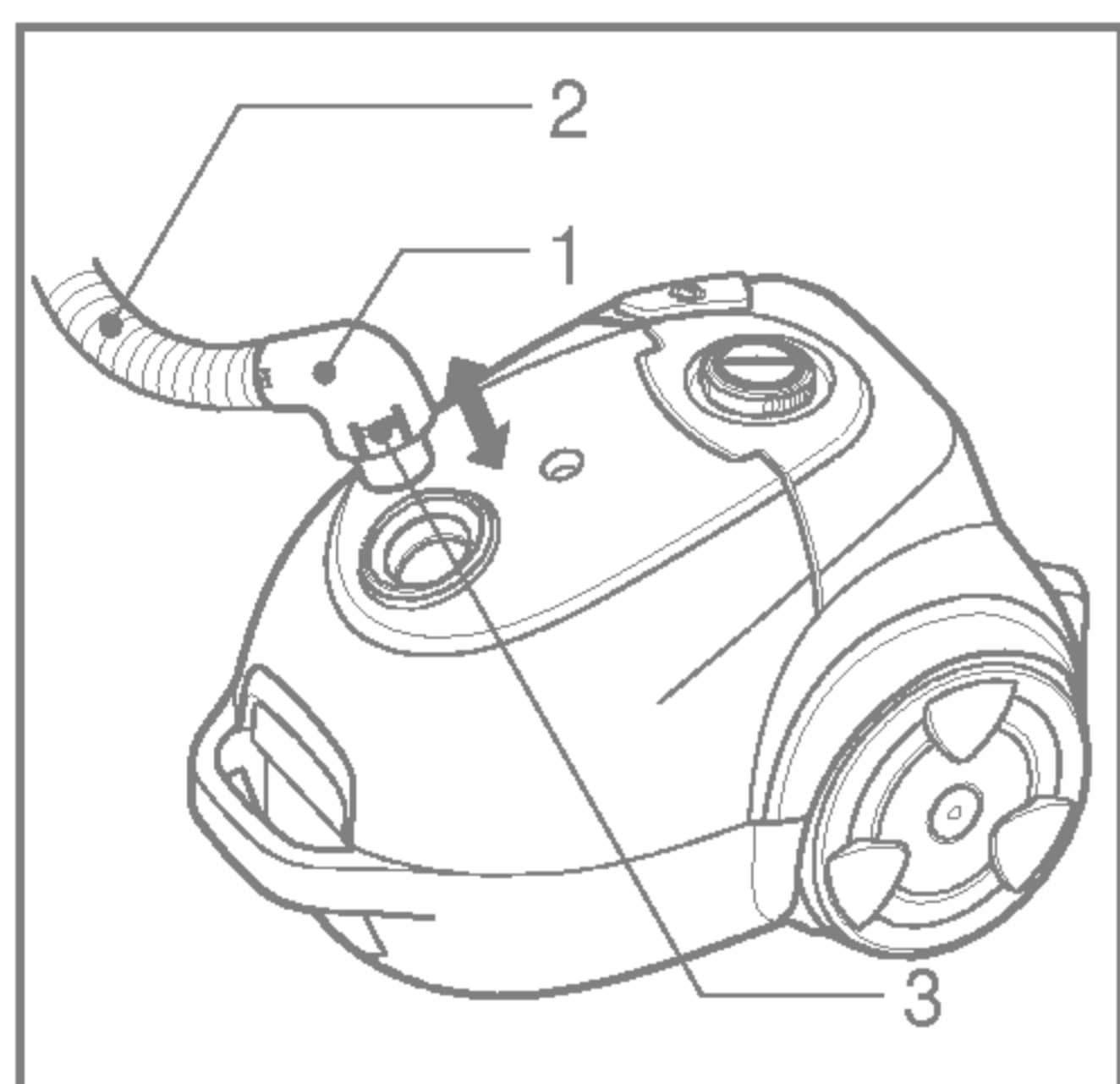
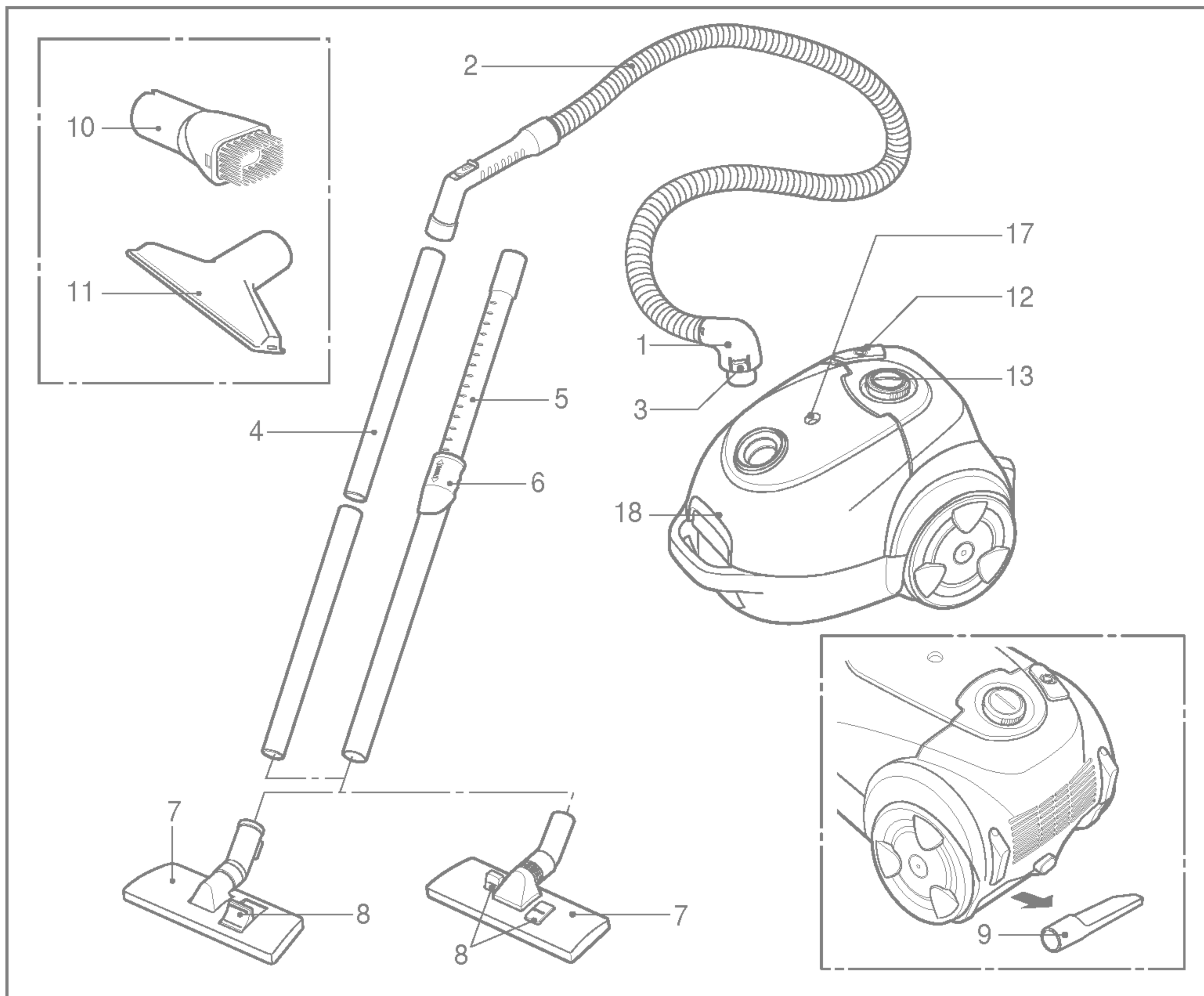


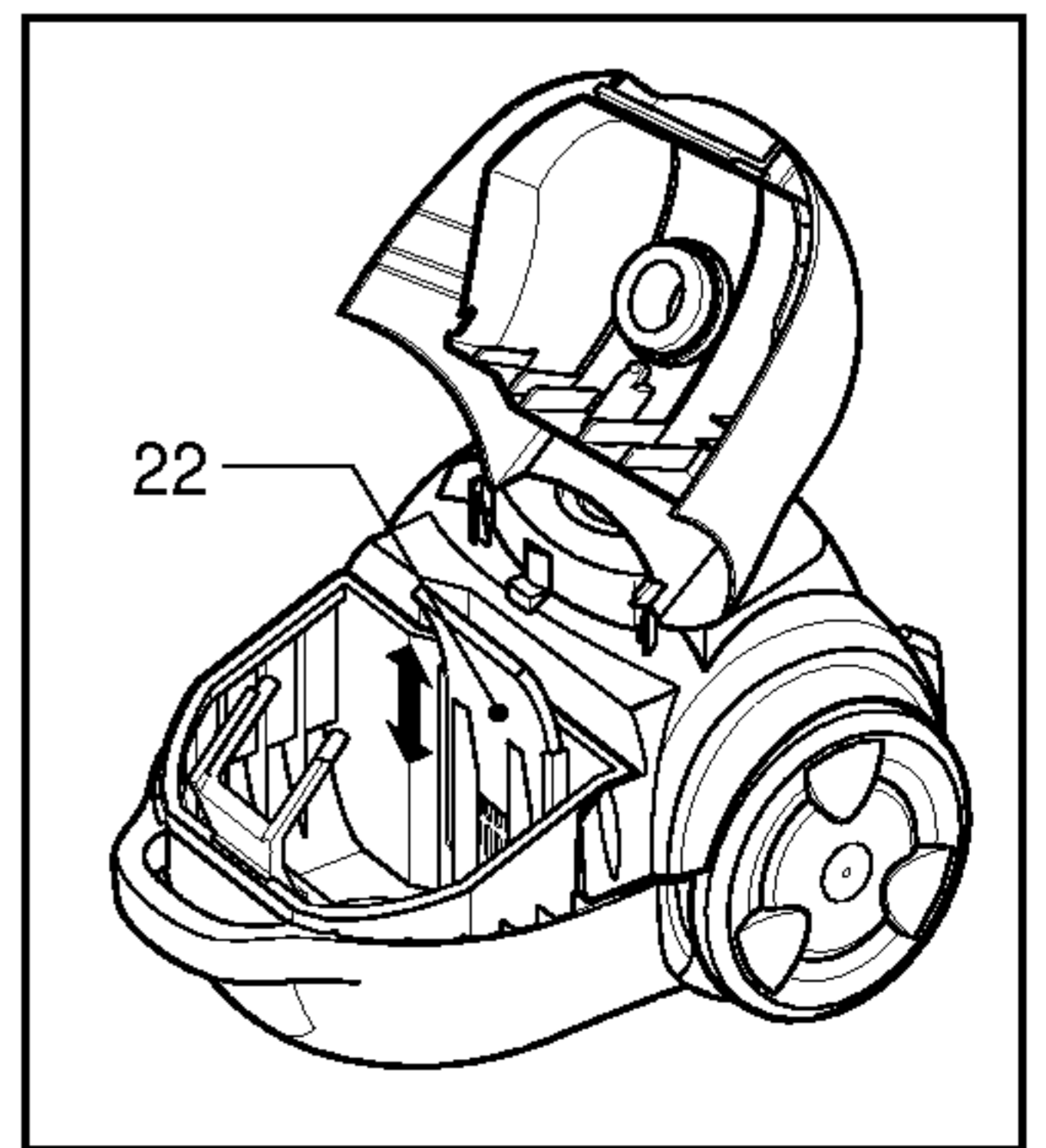
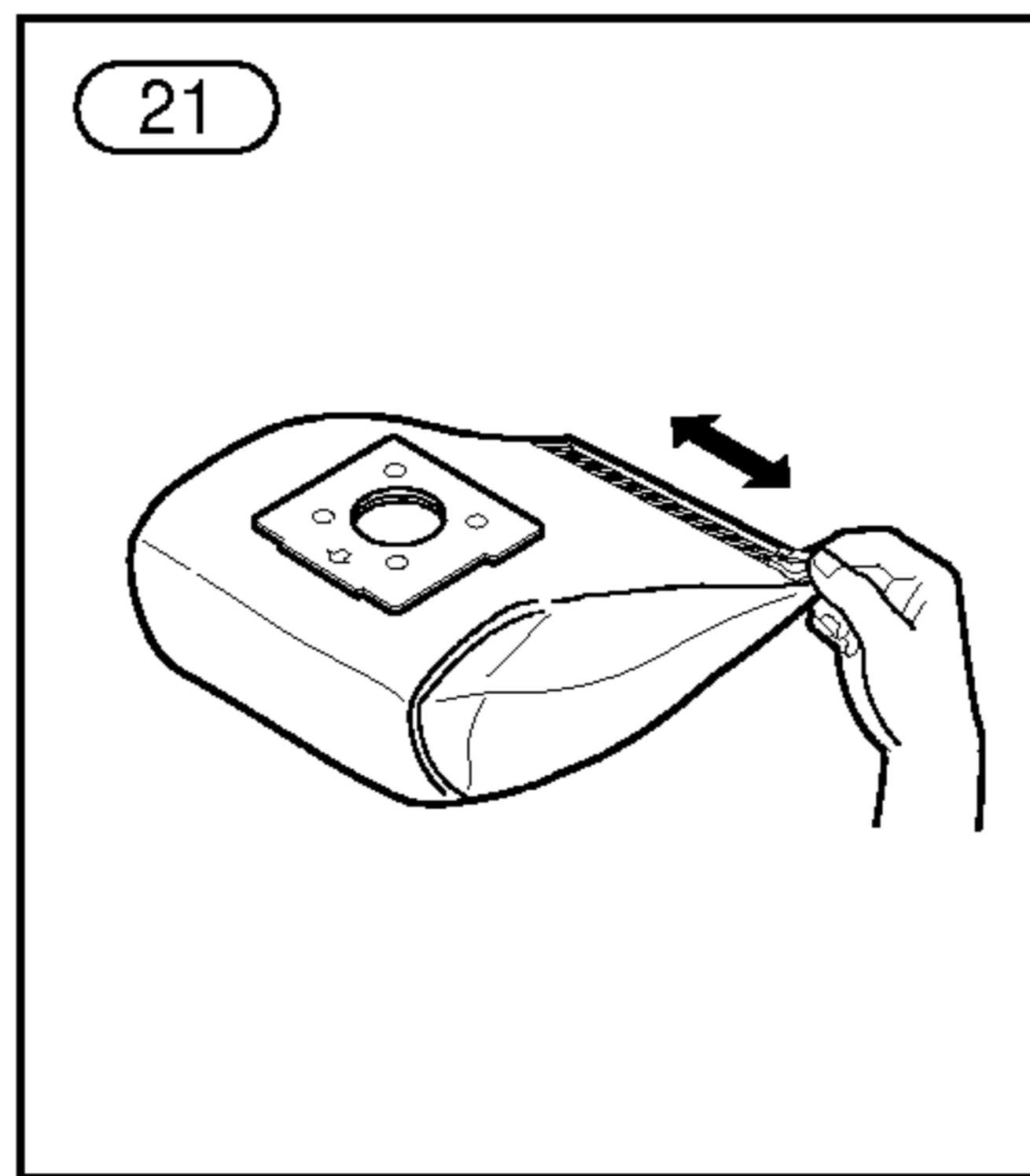
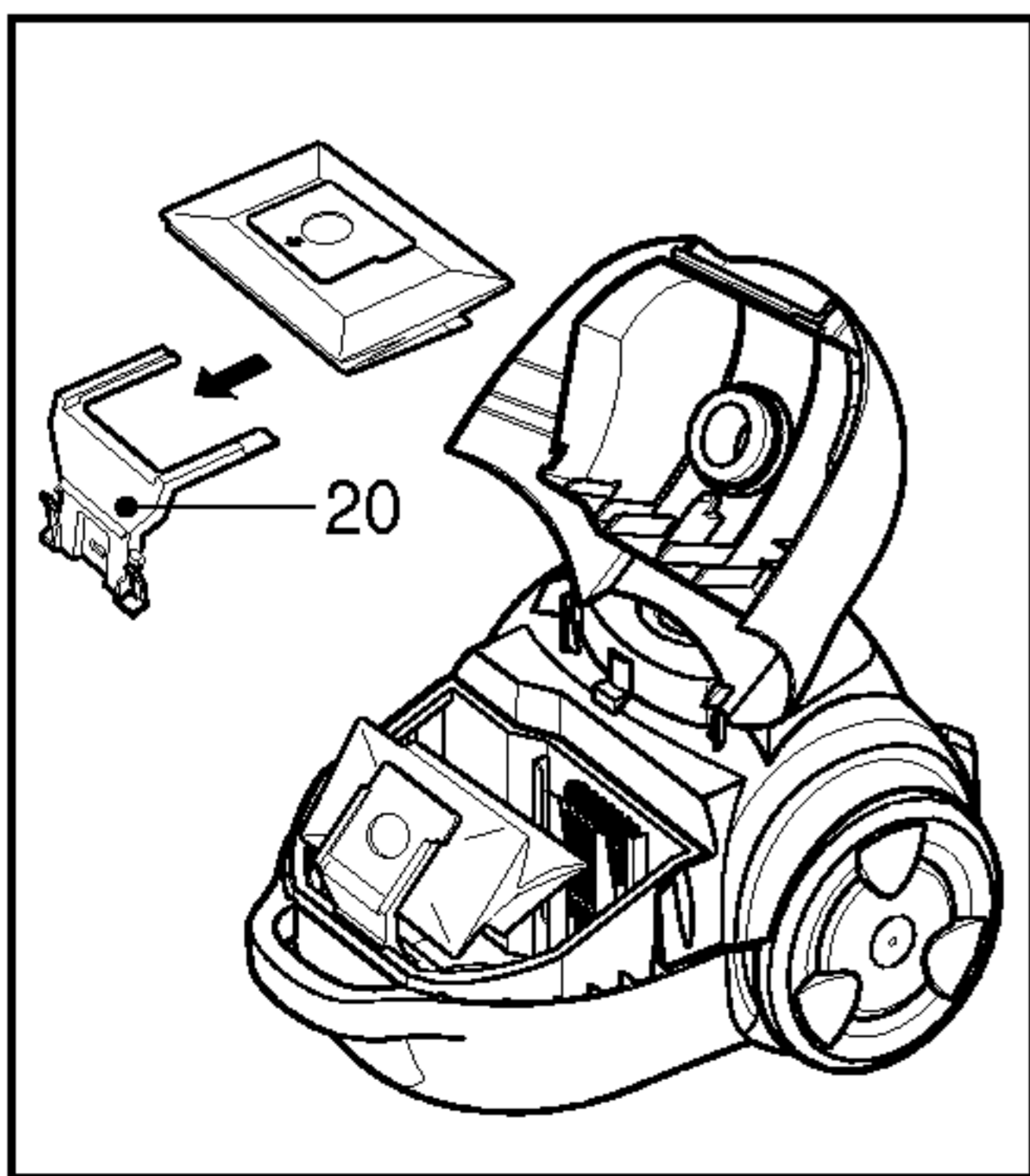
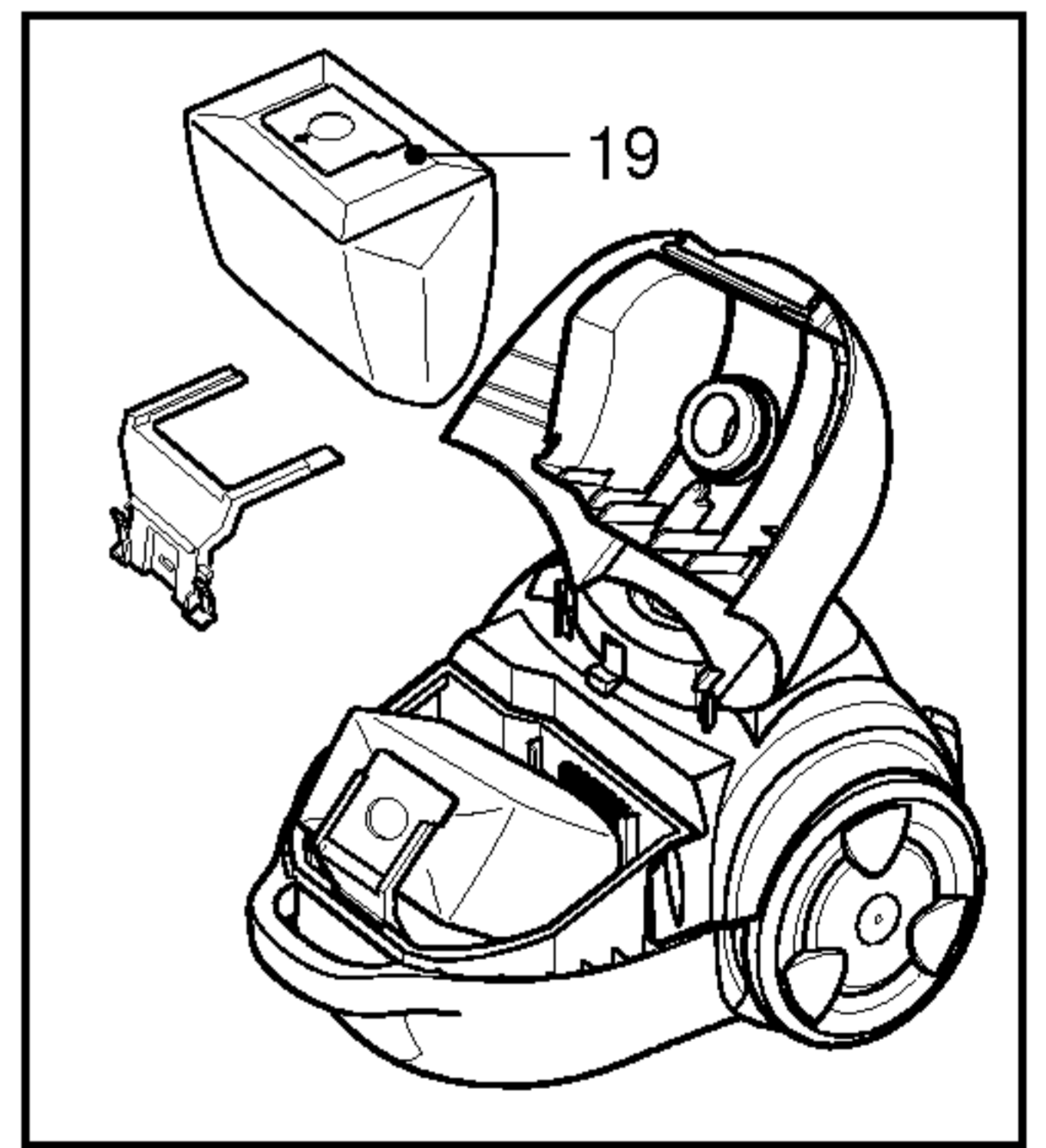
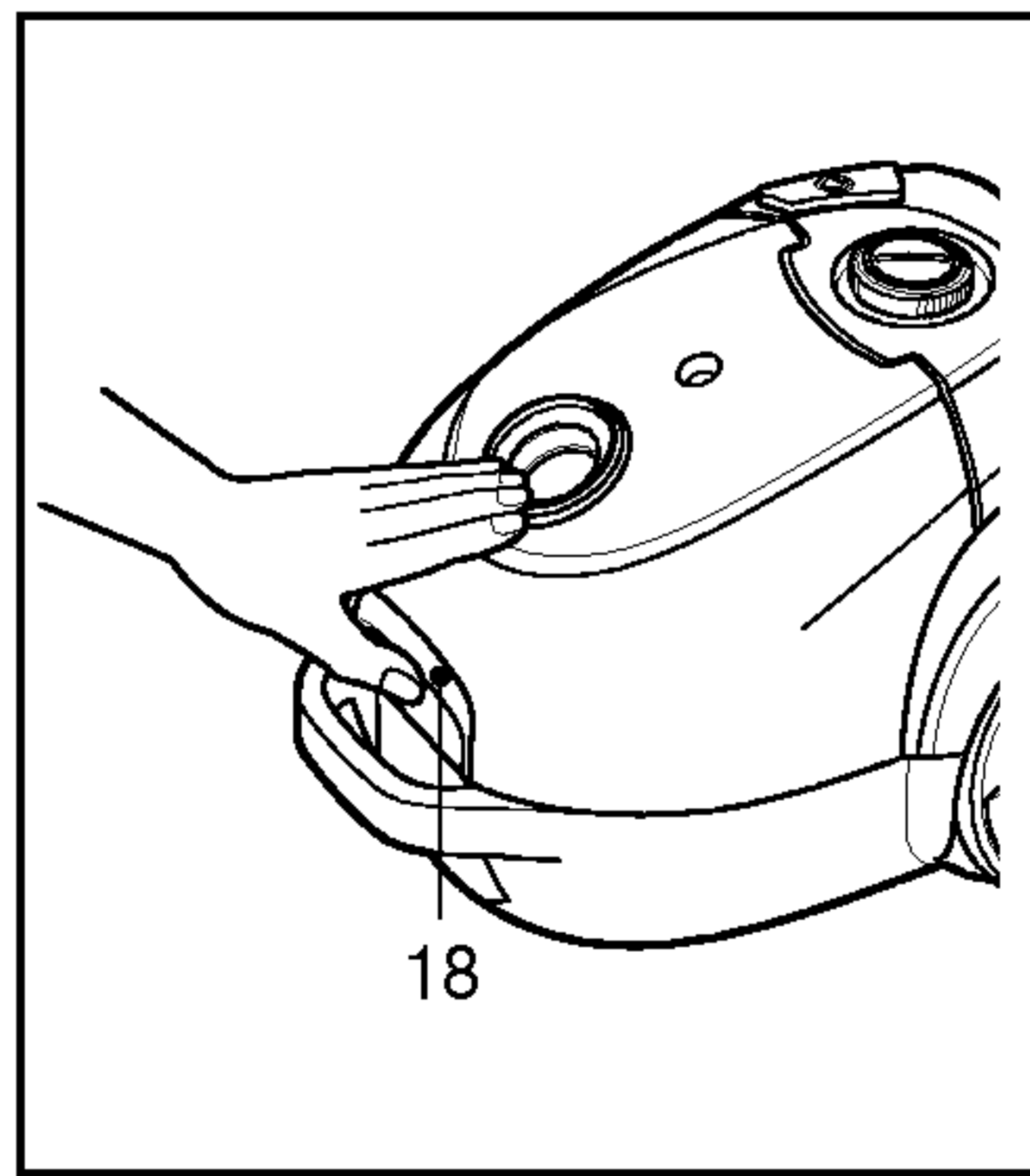
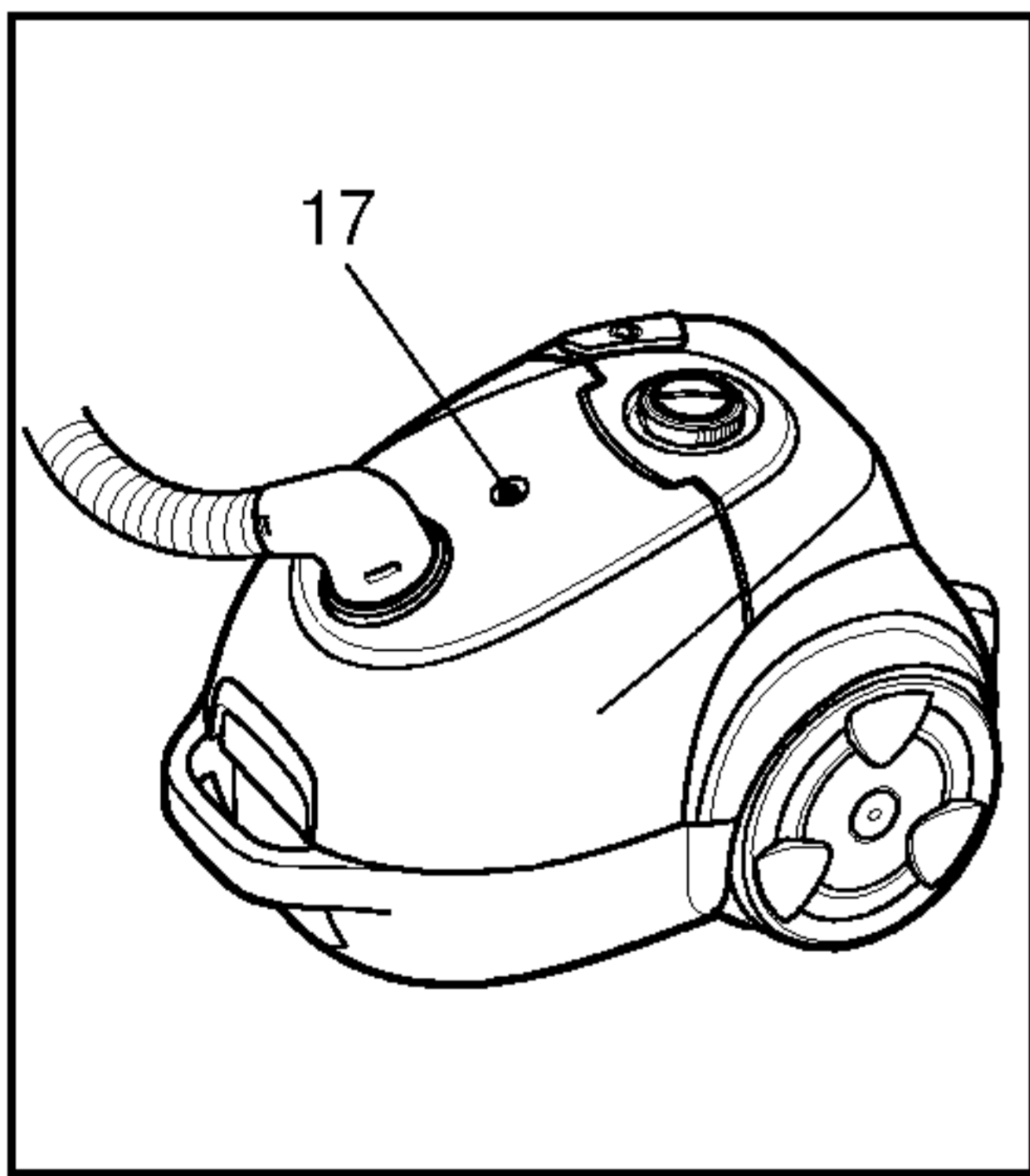
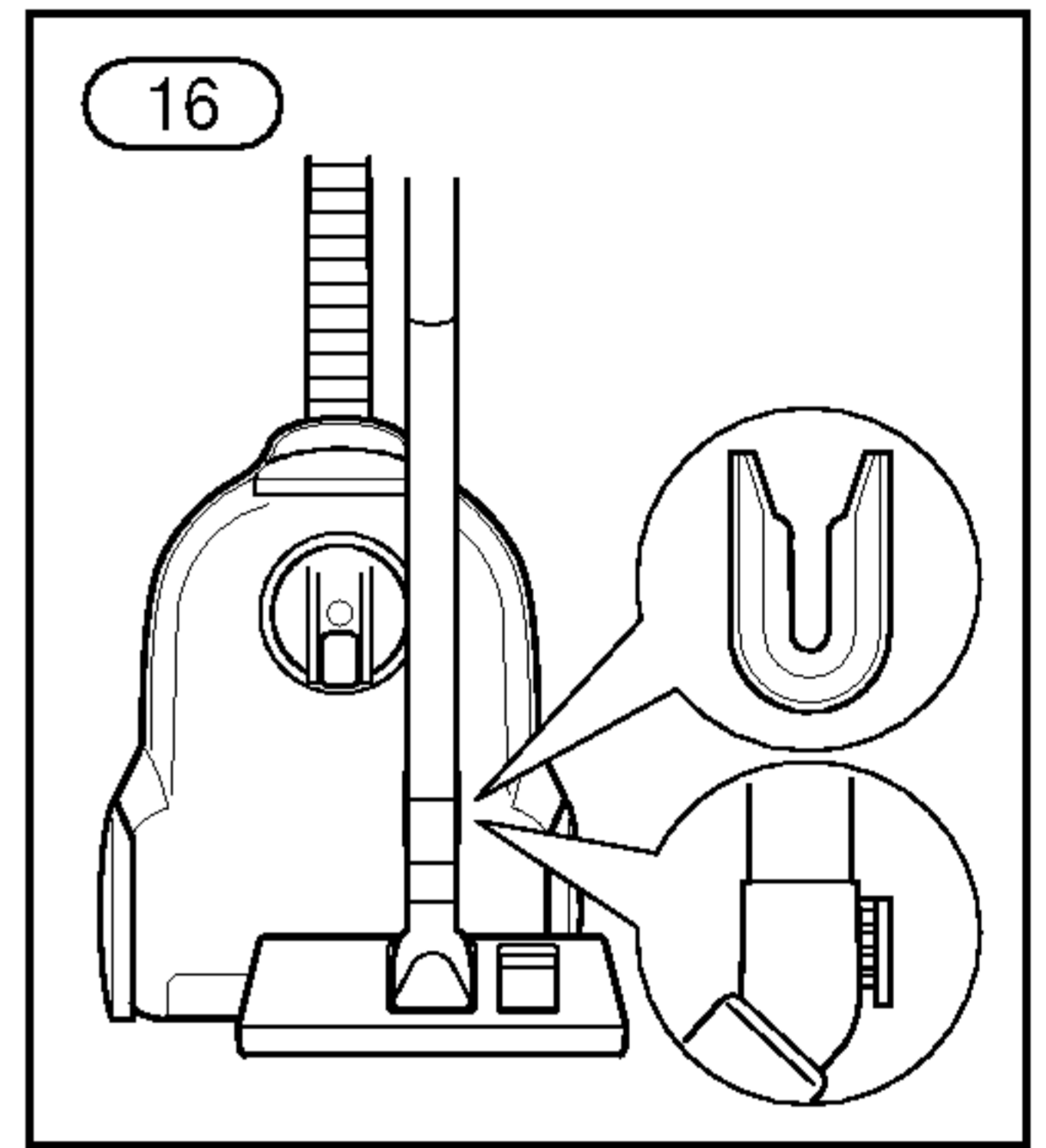
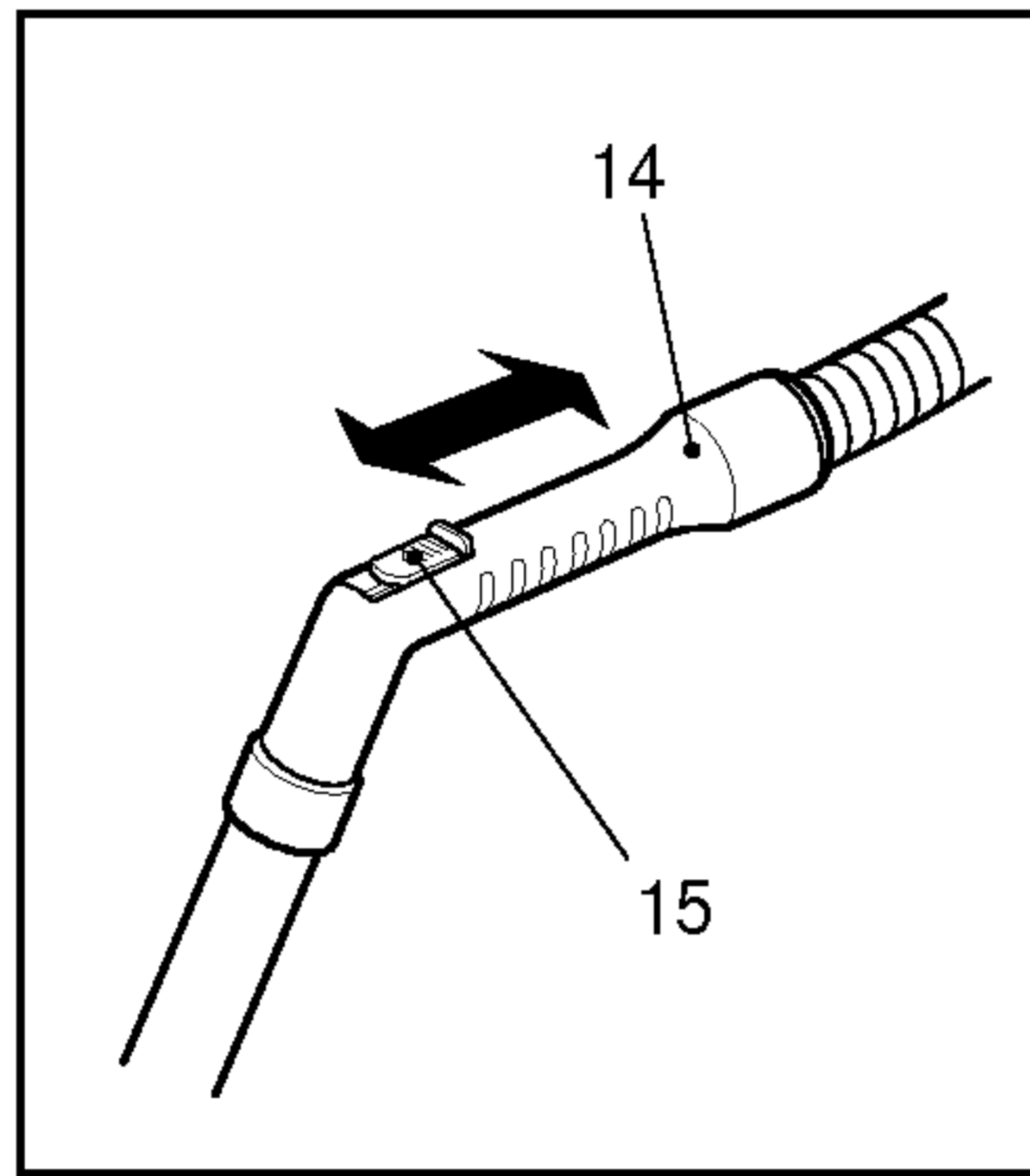
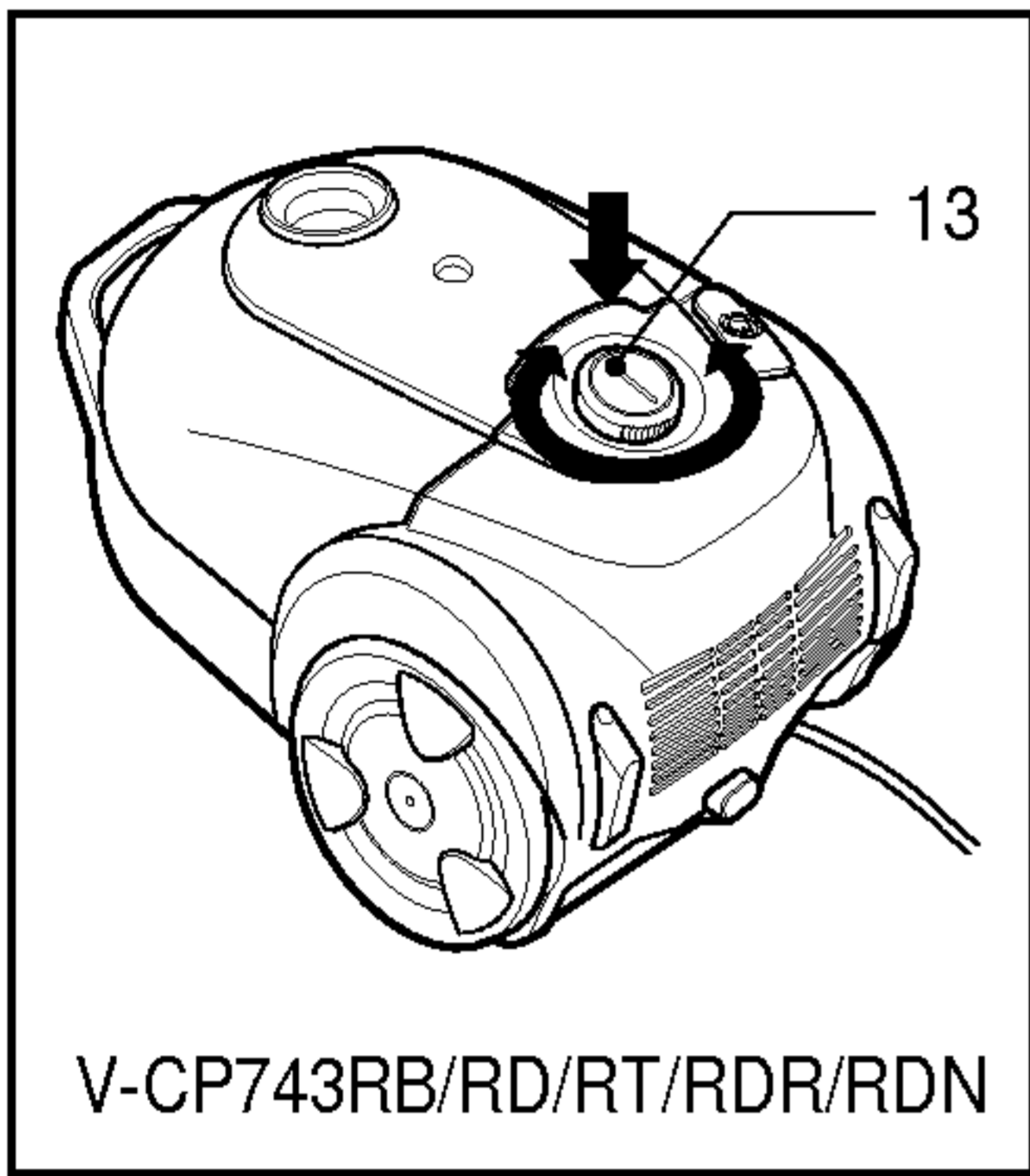
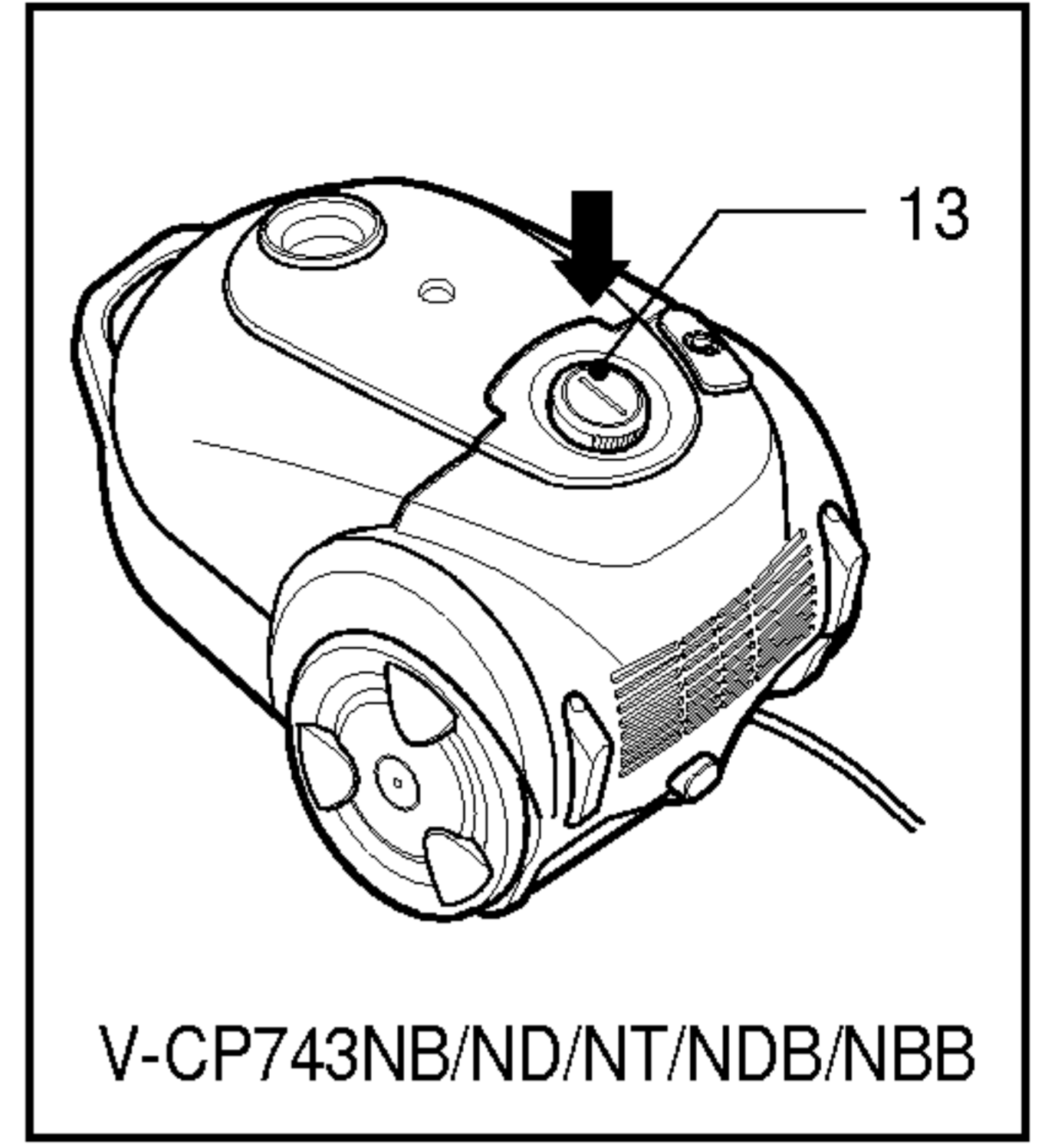
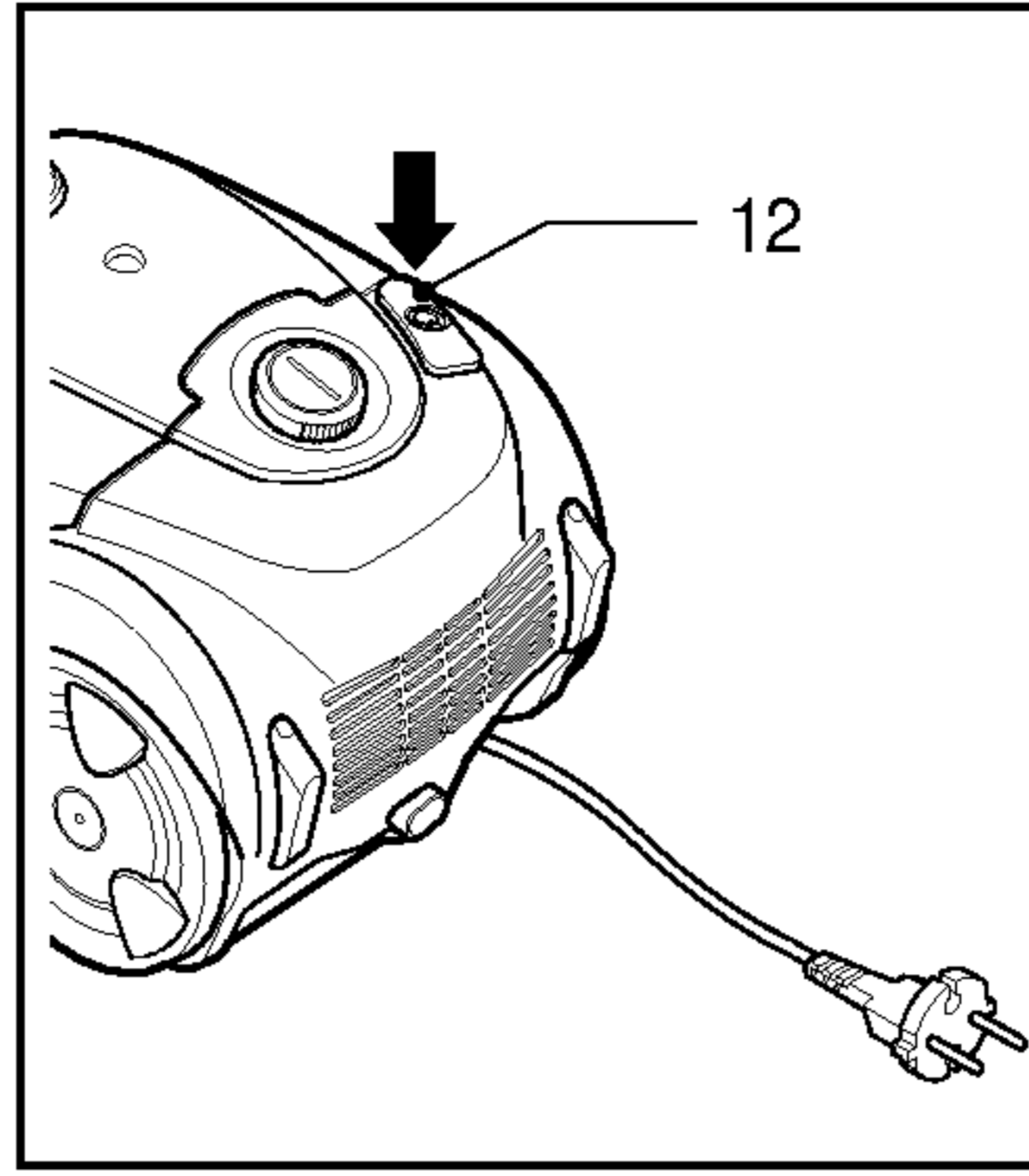
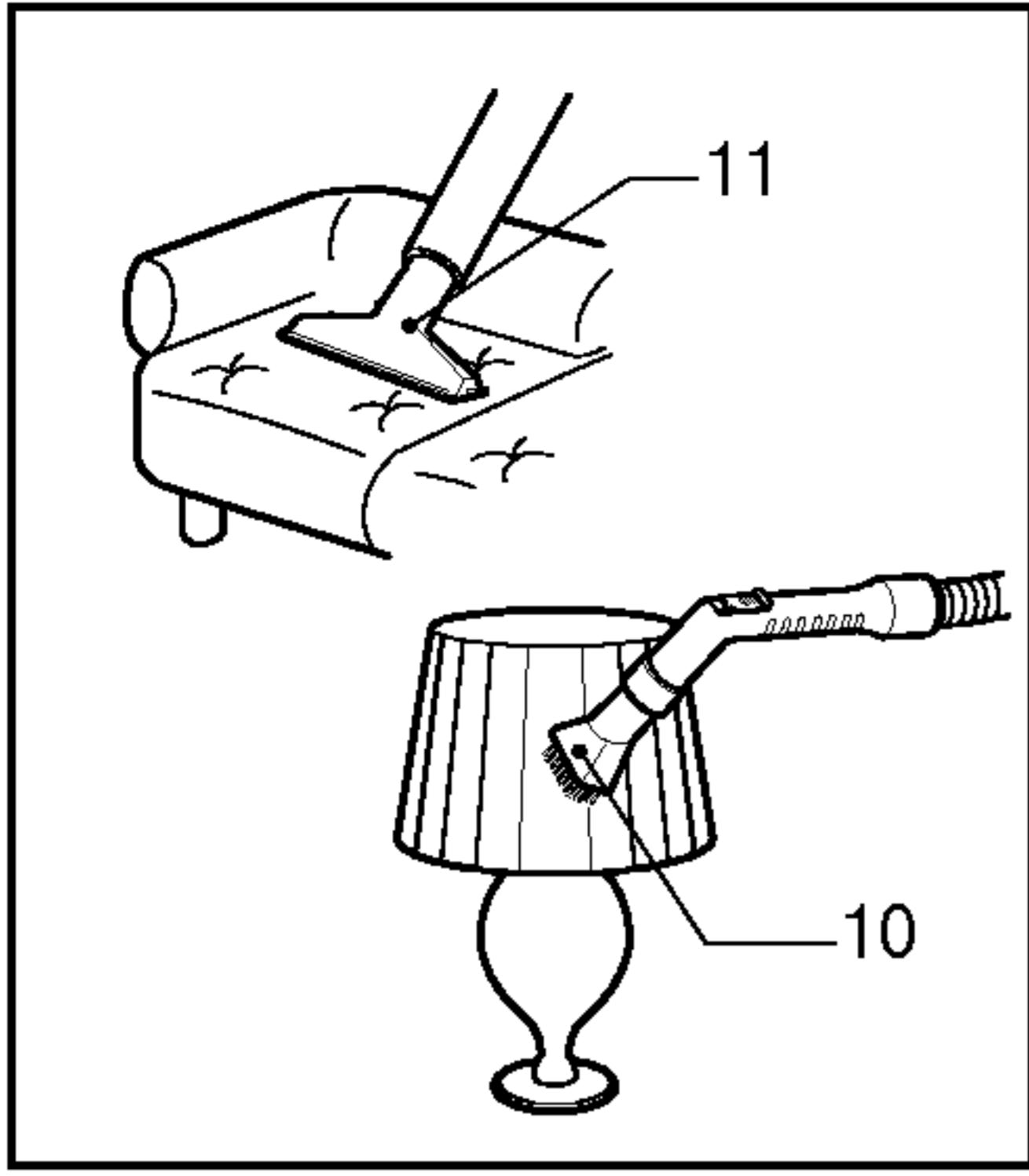
● LG



V-CP743NB/ND/NT/NDB/NBB
V-CP743RB/RD/RT/RDR/RDN







Information for your safety

Please read all the following information, which contains important instructions for the safety, the use and the maintenance of the appliance.

This appliance complies with the following EC Directives: -73/23/EEC, 93/68/EEC-Low Voltage Directive-89/336EEC -EMC Directive.

- Never allow children to use the appliance unsupervised.
- Do not use the appliance if the supply cord is damaged or faulty.
- If the mains lead is damaged, it must be replaced by an approved LG Electronics Service Agent in order to avoid a hazard.
- Always switch the vacuum cleaner off before :
 - changing the dust bag.
 - changing or cleaning the filters.
- **If no dustbag is inserted, the cover cannot be closed. Please do not use force!**
- Do not vacuum flammable or explosive substances(liquids or gases).
- Do not vacuum hot ash, embers etc. nor sharp objects.
- Do not vacuum water or other liquids.

How to Use

Connecting the flexible hose

Push the end of the head(1) on the flexible hose(2) into the attachment point on the vacuum cleaner.

To remove the flexible hose from the vacuum cleaner, press on the button(3) situated on the head, then pull upwards.

Assembling the tubes

(depending on model)

- **Metal or plastic tube(4)**
 - Fit together the two tubes by twisting slightly.
- **Telescopic tube(5)**
 - Push spring latch(6) forward.
 - Pull out tube to required length.
 - Release spring latch to lock.

Using the cleaning head and Accessory Nozzles (depending on model)

Fit the large cleaning head onto the end of the tube.

- **The 2 position head(7)** is equipped with a pedal(8) which allows you to alter its position according to the type of floor to be cleaned.
 - Hard floor position**(tiles, parquet floors...). Press on the pedal to lower the brush.
 - Carpet or rug position.** Press on the pedal to lift the brush up.
- **Crevice Tool(9)**
 - For vacuuming in those normally inaccessible places i.e. reaching cobwebs, or down the side of a sofa!
- **Dusting brush(10)**
 - For vacuuming picture frames furniture outlines, books and other uneven objects.
- **Upholstery Nozzle(11)**
 - For vacuuming upholstery, mattresses, etc. The thread collectors help to pick up the threads and fluff.

How to plug in and use

Pull out the supply cord to the desired length and plug into the socket.

Press button (13) to start the vacuum cleaner. To stop it press the button (13) again.

Adjusting the power level

- If your appliance is equipped with an electronic variable power control(13), you can choose the power appropriated for the task. (depending on model)
- The flexible hose handle(14) has a manual air flow regulator(15) which allows you to briefly reduce the suction level.

Storage(16)

When you have switched off and unplugged the appliance, press on the button (12) to automatically rewind the cord.

You can move or store your appliance in a vertical position by sliding the hook on the large cleaning head into the clip on the underside of the appliance.

Changing the dust bag

The dustbag needs changing when the cleaner is set to maximum power and the cleaner head is off the floor but the “bag full” indicator window(17) is completely coloured red.

Even if the dustbag does not appear to be full at this stage, it should be changed.

It could be that a great deal of very fine dust has clogged up the pores of the dust bag.

- Turn off the appliance and unplug it.
- Open the cover by pressing the hook(18) and lifting it up until it snaps into place.

Your appliance is equipped with either a paper dust bag (19) or a fabric dust bag (21)(depending on model).

- Take hold of the dust bag by the handle and pull. Remove the bag and throw it away.
- To refit a new bag push the cardboard support of a new bag into the bag mount (20)until it will go no further.

If your appliance is fitted with a fabric dust bag follow the same instructions as above.

Empty it and replace it(21).

Note: as the appliance is fitted with a safety device which checks that the bag is in place you cannot close the lid if the bag is not fitted correctly.

Cleaning the motor filter

The motor filter is situated inside the appliance between the dust bag and the motor. Each time that you change the air outlet filter we advise you to remove the motor filter(22)and to clean it by tapping to remove the dirt and then replacing it in the vacuum cleaner.

What to do if your appliance does not work?

Check that the appliance is correctly plugged in and that the electrical socket is working.

What to do when the suction performance reduces?

- Stop the appliance and unplug it.
- Check that the tubes, flexible hose and cleaning tool are not blocked.
- Check that the dust bag is not full. Replace if necessary.

安全說明

請閱讀下列如何安全使用以及如何保養吸塵器的說明

這種吸塵器符合以下EC標準：

-73/23/EEC,98/68EEC

-低壓標準

- 89/336EEC

-EMC

- 嚴禁小孩在無人看管的情況下使用。電源綫破損或故障時禁止使用。
- 如果主電源綫損壞，爲了以免受到傷害，必須到LG公司指定的售後服務機構更換。
- 做下列工作前必須關掉機器
 - 更換集塵袋
 - 清潔或更換過濾海綿
- 如果未放集塵袋，將蓋不上過濾蓋，請不要用力蓋。
- 不要吸入易燃易爆物品（液體或瓦斯）。
- 不要吸入燃燒或冒烟的東西，如火柴或熱的灰燼，也不要吸入尖銳的物品。
- 不要吸入水或其他液體。

應用指南

連接軟管

把軟管（2）的接頭（1）插入吸塵器的吸口。

若從吸塵器上取出軟管，則先按住按鍵（3），然後向外拉。

組裝直管

（型號不同直管也將有區別）

鋼管或塑料管（4）

- 輕輕旋轉把兩直管連接在一起

伸縮管（5）

- 握住并推進彈簧鎖（6）

- 拔出直管至所需長度

- 鬆開彈簧鎖使其鎖住

地板/地毯吸嘴及附件的使用（不同型號將有所不同）

將地板/地毯吸嘴裝在直管末端

所配備的雙功能吸嘴（7）上裝有一個踏板（8）這使你可以根據所清潔的地板類型的不同，改變其位置。硬地板位置（瓷磚、木地板等），踩住踏板放出刷子；地毯或毯子，按回踏板收起刷子。

邊縫工具（9）

用來清潔一般不容易接觸的地方，如窗框或牆縫。

清掃刷（10）

用來清潔畫框，家具邊沿，書，或其他不平物體。

室內裝飾管口（11）

用來清潔沙發，床墊等，綫頭收集器有助於吸取綫頭，毛絨等。

通電及使用說明

握住插頭拉出電源綫到所需長度，插入插座。

按鍵（13）開啓吸塵器。再次按（13）可將其關閉。

吸力調節（并非使用所有型號）

如果你的吸塵器是吸力可調的，可以通過旋轉鍵（13）選擇需要的吸力

軟管手柄（14）處有一個手動的控制鍵（15），使您可以方便的調節吸率。

存放（16）

關掉電源并拔掉插頭後，按鍵（12）可以使電源綫自動回卷。

您可以用如圖（16）所示的方法垂直放置或移動吸塵器。

換集塵袋

當吸塵器在最大功率時,吸嘴不能正常工作并且集塵顯示器(17)已完全變成紅色時,需要更換集塵袋。即使此時集塵袋看起來還未滿,也應把它換掉。許多細小的塵埃有可能已塞滿集塵袋上的小孔。

- 關掉吸塵器并拔掉插頭。
- 按定位鉤 (18) 打開過濾蓋,把過濾蓋抬起.準備更換紙集塵袋 (19) 或布集塵袋 (21) (適型號而定)
- 握住集塵袋架 (20), 取下集塵袋,扔掉它。
- 把新的集塵袋的支撐板推入袋槽 (20) 中。

如果您的機器是布集塵袋,仍按照上面相同的說明取下集塵袋. 清空布集塵袋 (21), 然後重新裝入.

注: 因為本產品具有位置檢查的安全裝置, 所以如果集塵袋的安裝不到位, 過濾蓋將不能關閉.

清潔電機過濾海綿 (22)

電機過濾海綿在機器的內部, 集塵袋和電機之間. 我們建議在更換集塵袋時取下電機過濾海綿 (22), 輕拍去除上面的塵土, 然後重新裝入真空吸塵器中

如果您的機器不工作了, 該怎樣做呢?

檢查機器的電源插頭是否正確插緊和電源是否正常.

當機器的吸力減小時該怎麼辦?

- 停止機器并拔掉電源
- 檢查管子、軟管、清潔工具是否被塞住.
- 檢查集塵袋是否已滿, 必要時更換.



LG Electronics Inc.

<http://www.lge.com/>