

# TABLE OF CONTENTS

<b>English Version</b>	<b>36</b>	Glide N Serve	53
<b>Safety Instructions</b>	<b>37–38</b>	Design-A-Door	53
<b>Parts and Features</b>	<b>39</b>	Dairy Bin	54
<b>Refrigerator Installation</b>	<b>40–46</b>	Egg Box	54
Unpacking Your Refrigerator	40	<b>► Freezer section</b>	
Installation	40	Tilting Door	54
Base Cover	40	Ice Bin	54
Removing and Replacing Your Refrigerator Handles and Doors	41–45	Durabase	55
Leveling and Door Alignment	46	Durabase Divider	55
<b>Using Your Refrigerator</b>	<b>47–56</b>	Pull out Drawer	55
Ensuring Proper Air Circulation	47	Water Filter	56
Multi-Flow	47	<b>Care and Cleaning</b>	<b>57–58</b>
Setting the Controls	47	General Cleaning Tips	57
Adjusting Control Settings	48	Outside	57
Food Storage Guide	48	Inside Walls	57
Storing Frozen Food	49	Door Liner and Gaskets	57
<b>► Refrigerator section</b>		Plastic Parts	57
Water Dispenser	49	Condenser Coils	57
Refrigerator Shelves	50	Light Bulb Replacement	57–58
Wine Holder	50	Power Interruptions	58
Optibin Crisper	51	When you go on vacation	58
Crisper Humidity Control	51	When you move	58
Removing Crisper	51	<b>About the Automatic Icemaker</b>	<b>59</b>
Crisper Cover with Lattice on inner Surface	52	<b>Connecting the Water Line</b>	<b>60–63</b>
		<b>Troubleshooting Guide</b>	<b>64–67</b>

# IMPORTANT SAFETY INSTRUCTIONS

This guide contains many important safety messages. Always read and obey all safety messages.



This is the safety alert symbol. It alerts you to safety messages that inform you of hazards that can kill or hurt you or others, or cause damage to the product.

All safety messages will be preceded by the safety alert symbol and the hazard signal word DANGER, WARNING, CAUTION. These words mean:

## **⚠ DANGER**

You **will** be killed or seriously injured if you don't follow instructions.

## **⚠ WARNING**

You **can** be killed or seriously injured if you don't follow instructions.

## **⚠ CAUTION**

Indicates an imminently hazardous situation which, if not avoided, **may** result in minor or moderate injury, or product damage only.

All safety messages will identify the hazard, tell you how to reduce the chance of injury and tell you what can happen if the instructions are not followed.

# **⚠ WARNING**

To reduce the risk of fire, electric shock, or injury to persons when using your product, basic safety precautions should be followed, including the following:

**Read all instructions before using this appliance.**

- NEVER unplug your refrigerator by pulling on the power cord. Always grip the plug firmly and pull it straight out from the outlet.
- Repair or replace immediately all electric service cords that have become frayed or otherwise damaged. Do not use a cord that shows cracks or abrasion damage along its length or at either the plug or connector end.
- When moving your refrigerator away from the wall, be careful not to roll over or damage the power cord.
- DO NOT store or use gasoline or other flammable vapors and liquids in the vicinity of this or any other appliance.
- DO NOT allow children to climb, stand or hang on the refrigerator doors or shelves in the refrigerator. They could damage the refrigerator and seriously injure themselves.
- Keep fingers out of *pinch point* areas; clearances between the doors and cabinet are necessarily small. Be careful closing doors when children are in the area.
- Unplug your refrigerator before cleaning or making any repairs.

**NOTE:** We strongly recommend that any servicing be performed by a qualified individual.

- Before replacing a burned-out light bulb, **unplug** the refrigerator or turn off power at the circuit breaker or fuse box in order to avoid contact with a live wire filament. (A burned-out light bulb may break when being replaced.)

**NOTE:** Setting either or both controls to the OFF position does not remove power to the light circuit.

- This refrigerator must be properly installed in accordance with the **Attention Installer Instructions** that were taped to the front of the refrigerator.
- After your refrigerator is in operation, do not touch the cold surfaces in the freezer compartment when hands are damp or wet. Skin may adhere to the extremely cold surfaces.
- In refrigerators with automatic icemakers, avoid contact with the moving parts of the ejector mechanism, or with the heating element that releases the cubes. DO NOT place fingers or hands on the automatic icemaking mechanism while the refrigerator is plugged in.
- DO NOT refreeze frozen foods which have thawed completely. The United States Department of Agriculture in Home and Garden Bulletin No. 69 says:

...You may safely refreeze frozen foods that have thawed if they still contain ice crystals or if they are still cold—below 4°C.

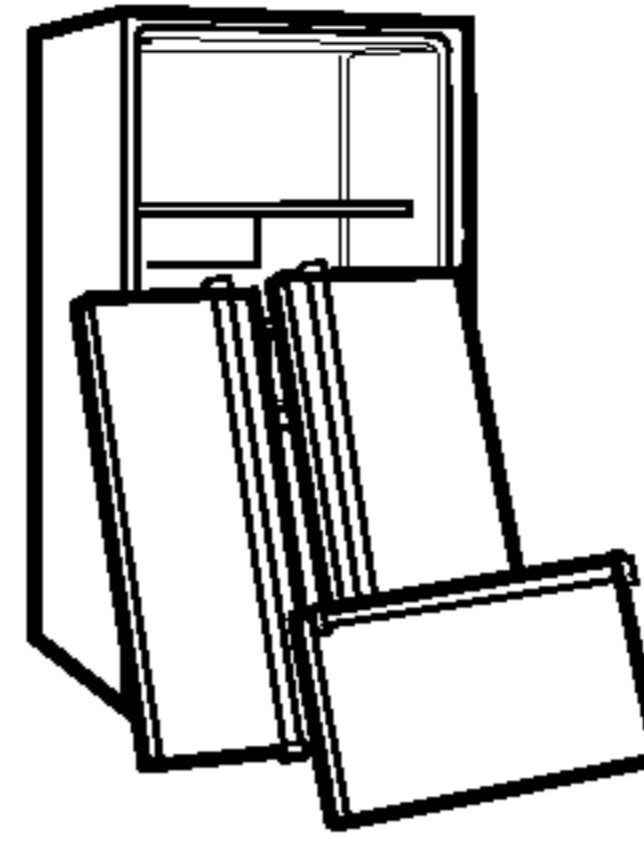
...Thawed ground meats, poultry or fish that have any off-odor or off-color should not be refrozen and should not be eaten. Thawed ice cream should be discarded. If the odor or color of any food is poor or questionable, get rid of it. The food may be dangerous to eat.

Even partial thawing and refreezing reduces the eating quality of foods, particularly fruits, vegetables and prepared foods. The eating quality of red meats is affected less than that of many other foods. Use refrozen foods as soon as possible to save as much of their quality as you can.

# SAVE THESE INSTRUCTIONS

## **⚠ DANGER: RISK OF CHILD ENTRAPMENT**

Child entrapment and suffocation are not problems of the past. Junked or abandoned refrigerators are still dangerous...even if they will sit for *just a few days*. If you are getting rid of your old refrigerator, please follow the instructions at right to help prevent accidents.



### **BEFORE YOU THROW AWAY YOUR OLD REFRIGERATOR OR FREEZER**

- Take off the doors.
- Leave the shelves in place so that children may not easily climb inside.

## **CFC DISPOSAL**

Your old refrigerator may have a cooling system that used CFCs (chlorofluorocarbons). CFCs are believed to harm stratospheric ozone.

If you are throwing away your old refrigerator, make sure the CFC refrigerant is removed for proper disposal by a qualified servicer. If you intentionally release this CFC refrigerant, you can be subject to fines and imprisonment under provisions of environmental legislation.

## **IMPORTANT SAFETY INSTRUCTIONS**

### **Don't use an extension cord**

If possible, connect the refrigerator to its own individual electrical outlet to prevent it and other appliances or household lights from causing an overload that could cause a power outage.

### **Accessibility of Supply Plug**

The refrigerator-freezer should be so positioned that the supply plug is accessible for quick disconnection when accident happens.

### **Supply Cord Replacement**

If the supply cord is damaged, it must be replaced by the manufacturer or its service agent or a similarly qualified person in order to avoid a hazard.

## **FEED WATER PIPE INSTALLATION**

### **Before installation**

- Automatic ice maker can be installed only by manufacturer.
- Automatic ice maker operation needs water pressure of 147~834 kPa (1.5~8.5 kgf/cm<sup>2</sup>) (That is, an instant paper cup (180 cc) will be fully filled within 3 sec.).

- If water pressure does not reach the rating 147 kPa (1.5 kgf/cm<sup>2</sup>) or below, it is necessary to purchase a separate pressure pump for normal automatic icing and cool water feed.
- Keep the total length of the feed water pipe tube within 8 m and be careful for the tube not be bent. If the tube is 8 m or longer it may cause trouble in water feed owing to the drain water pressure.
- Install the feed water pipe tube at a place free from heat.

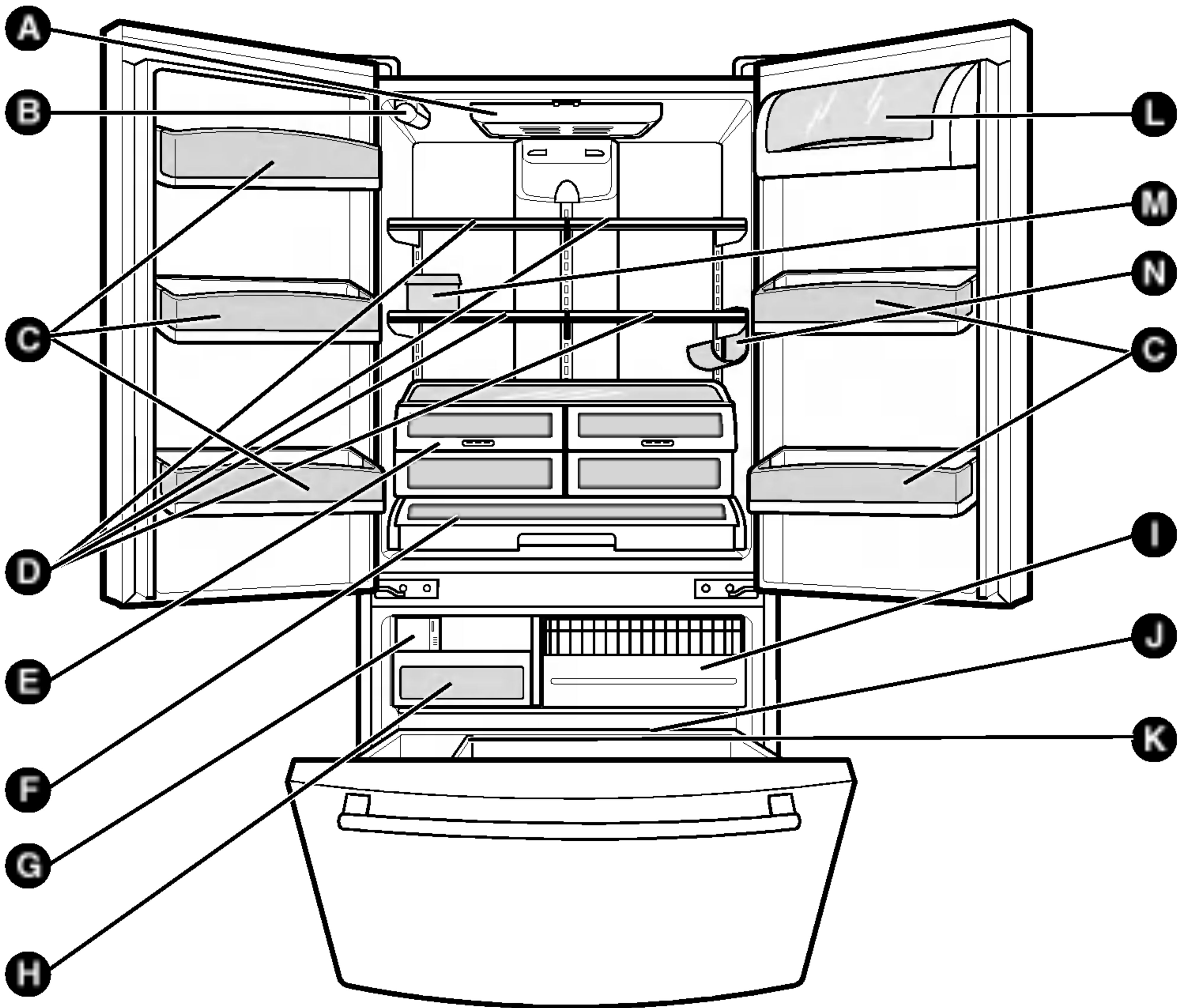
### **⚠ WARNING**

- Connect to potable water supply only.
- Refer to instructions with water filter kit for installation.

### **⚠ WARNING**

- The refrigerant and insulation blowing gas used in the appliance require special disposal procedures. When disposal, please consult with service agent or a similarly qualified person.

# PARTS AND FEATURES



Use this page to become more familiar with the parts and features. Page references are included for your convenience.

**NOTE: This guide covers several different models. The refrigerator you have purchased may have some or all of the items listed below. The locations of the features shown below may not match your model.**

- |  |                          |
|--|--------------------------|
| <b>A</b> Refrigerator Light  | <b>H</b> Ice Bin         |
| <b>B</b> Filter (Inside)   | <b>I</b> Pull out Drawer |
| <b>C</b> Design-A-Door   | <b>J</b> Durabase        |
| <b>D</b> Shelves   | <b>K</b> Divider         |
| <b>E</b> Optibin Crisper<br>(Keeps fruits and vegetable fresh and crisper) | <b>L</b> Dairy Bin       |
| <b>F</b> Glide N Serve   | <b>M</b> Egg Box         |
| <b>G</b> Customcube Icemaker   | <b>N</b> Wine Holder     |

# REFRIGERATOR INSTALLATION

## ⚠️ WARNING

### Excessive Weight Hazard

Use two or more people to move and install refrigerator.

Failure to do so can result in back or other injury.

## UNPACKING YOUR REFRIGERATOR

Remove tape and any temporary labels from your refrigerator before using. Do not remove any warning-type labels, the model and serial number label, or the TechSheet that is attached to back wall of the refrigerator.

To remove any remaining tape or glue, rub the area briskly with your thumb. Tape or glue residue can also be easily removed by rubbing a small amount of liquid dish soap over the adhesive with your fingers. Wipe with warm water and dry.

Do not use sharp instruments, rubbing alcohol, flammable fluids or abrasive cleaners to remove tape or glue. These products can damage the surface of your refrigerator. For more information, see the **Important Safety Instructions** section.

Refrigerator shelves are installed in the shipping position.

Please reinstall shelves according to your individual storage needs.

## ⚠️ WARNING

### When Moving Your Refrigerator:

Your refrigerator is heavy. When moving the refrigerator for cleaning or service, be sure to protect the floor. Always pull the refrigerator straight out when moving it. Do not wiggle or walk the refrigerator when trying to move it, as floor damage could occur.

## ⚠️ WARNING



### Explosion Hazard

Keep flammable materials and vapors, such as gasoline, away from refrigerator.

Failure to do so can result in death, explosion or fire.

## INSTALLATION

1. To avoid vibration, the unit must be level. If required, adjust the leveling screws to compensate for unevenness of the floor. The front should be slightly higher than the rear to aid in door closing. Leveling screws can be turned easily by tipping the cabinet slightly. Turn the leveling screws clockwise (➡️) to raise the unit, counterclockwise (⬅️) to lower it.
2. Install this appliance in an area where the temperature is between 13°C and 43°C. If the temperature around the appliance is too low or high, cooling ability may be adversely affected.
3. Allow the clearance of at least 2 inch from the ceiling and 1 inch from the side walls for better cooling efficiency, ease of installation, proper air circulation and electrical connections.

⚠️ **CAUTION:** Avoid placing the unit near heat sources, direct sunlight or moisture.

## NEXT

1. Clean your refrigerator thoroughly and wipe off all dust accumulated during shipping.
2. Install accessories such as ice cube bin, drawers, shelves, etc., in their proper places. They are packed together to prevent possible damage during shipment.
3. Let your refrigerator run for at least 2 or 3 hours before putting food in it. Check the flow of cold air in the freezer compartment to ensure proper cooling. Your refrigerator is now ready for use.

## ⚠️ WARNING

- Be careful when you work with hinge, base grille, stopper etc. You may be injured.
- Do not put hands or foot or metal sticks into air vents, base grille or bottom of refrigerator. You may be injured or receive an electrical shock.

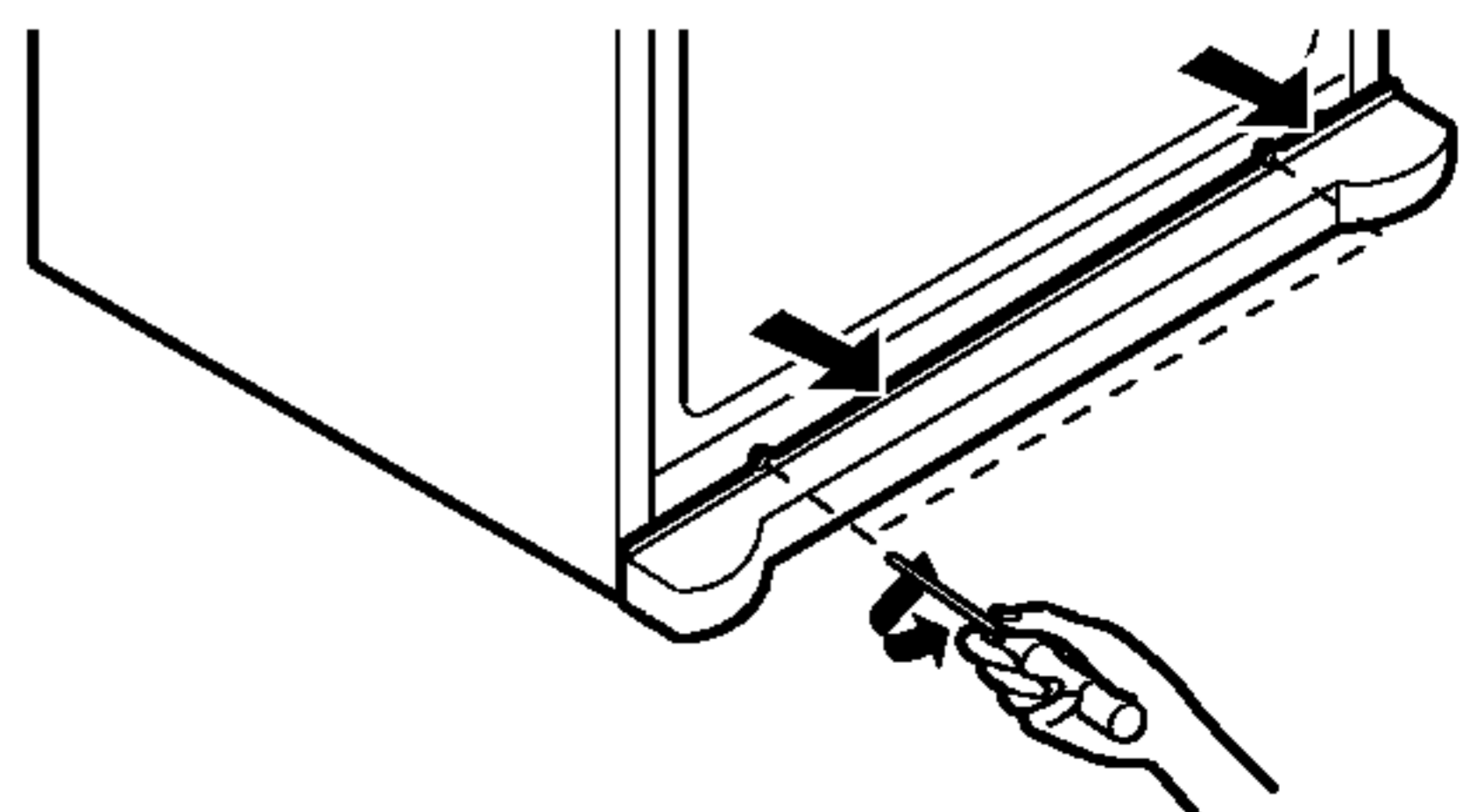
## BASE COVER

### To remove the base cover

1. Open the Freezer Drawer. (Drawer not shown for clarity.)
2. Once drawer is open there is sufficient clearance to remove screws on top of cover.

### To replace base cover:

- Place cover into position and insert and tighten screws.



# REFRIGERATOR INSTALLATION

## HOW TO REMOVE DOOR HANDLES

To move refrigerator through a house door, it maybe necessary to remove the refrigerator door handles.

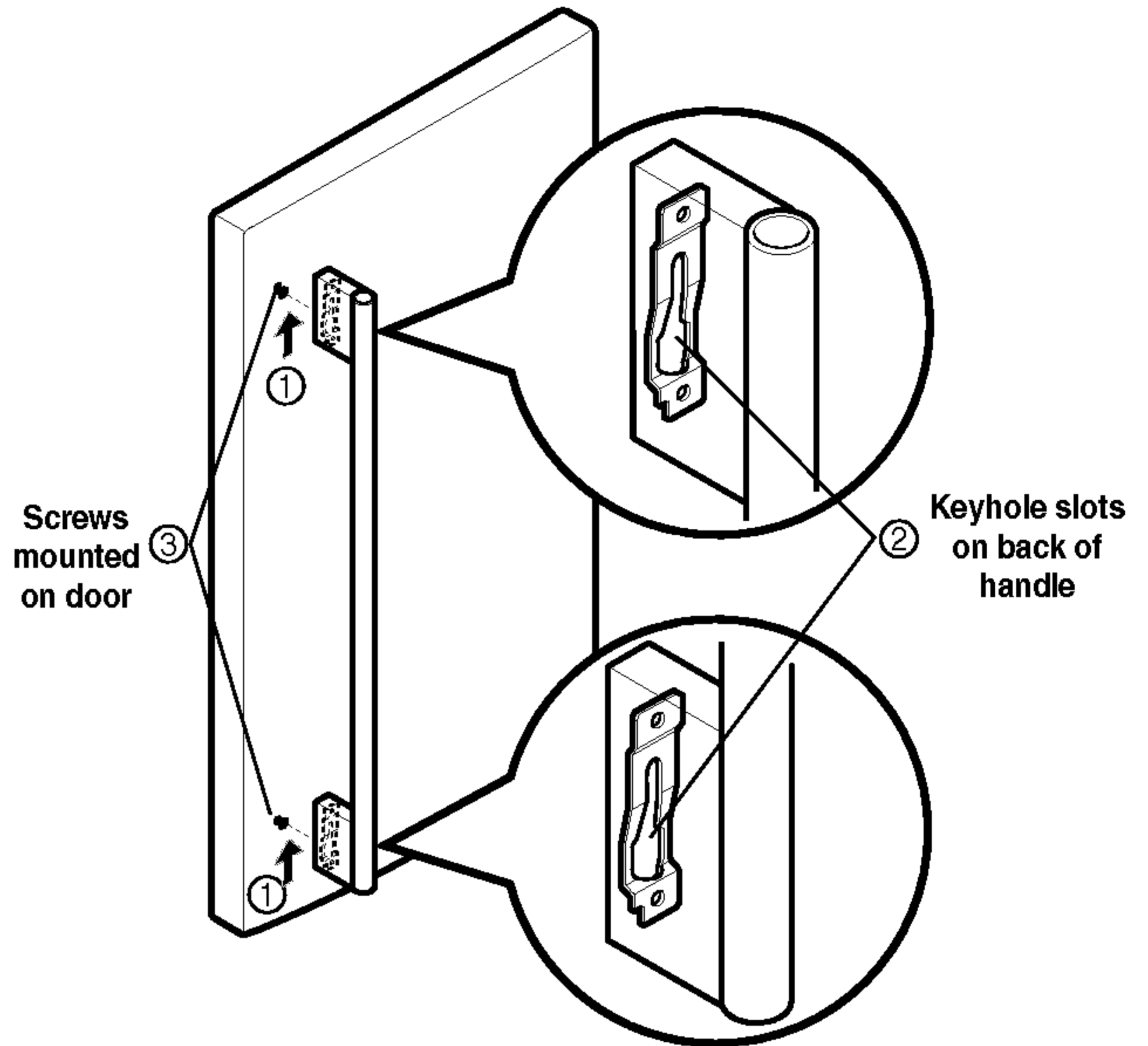
NOTE: Handle appearance may vary from illustrations on this page.

### 1. Removing Refrigerator Handle

- Grasp the handle tightly with both hands and slide the handle up (1)(this may require some force).
- The keyhole slots (2) on the back of the handle allow the handle to separate from the mounting screws (3).

⚠ **CAUTION:** The handle could be damaged if you hit it with a hammer while removing or attaching.

⚠ **CAUTION:** When you assemble or disassemble handle, you must push or pull with some force.

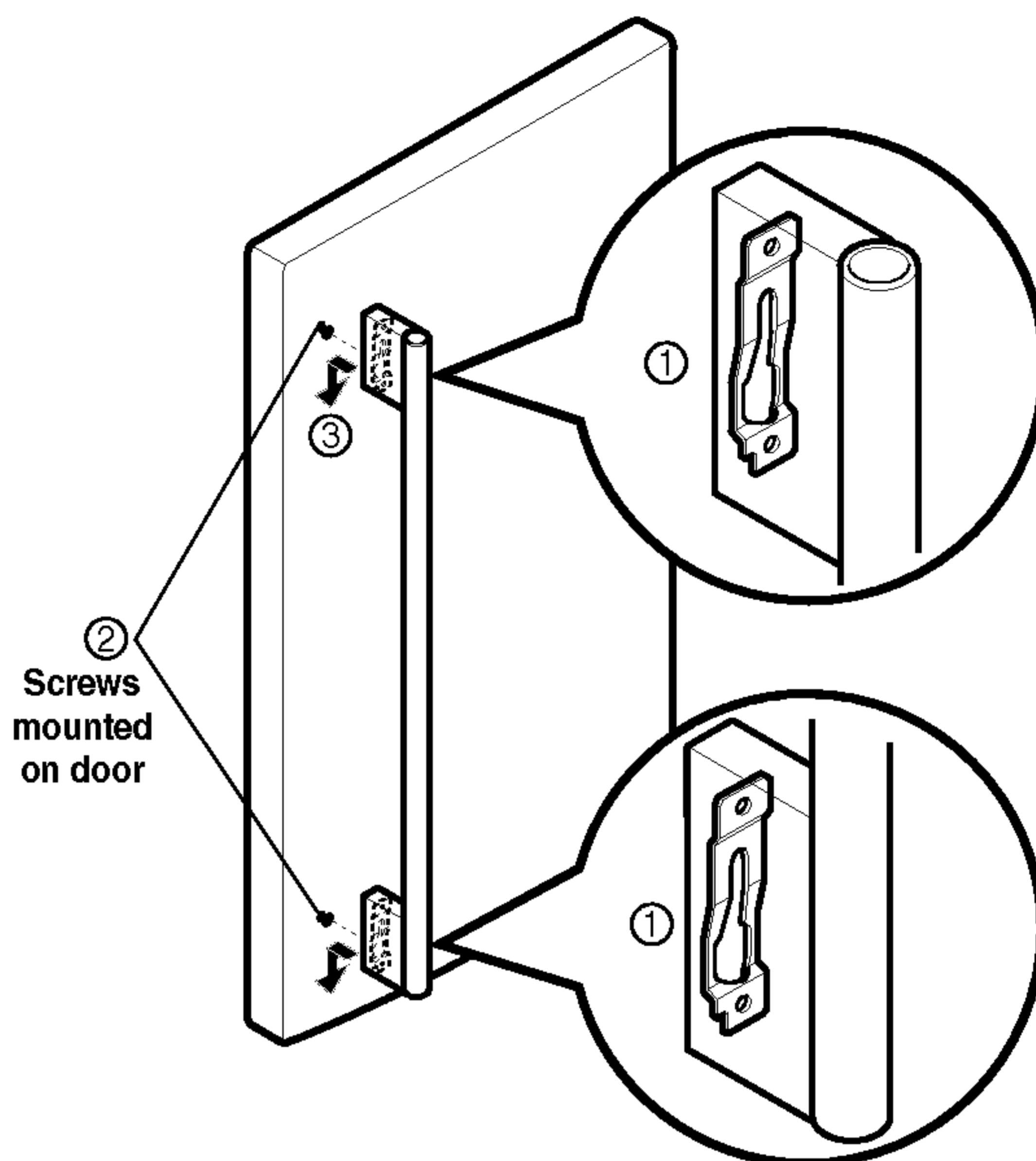


## HOW TO REPLACE DOOR HANDLES

NOTE: Handle appearance may vary from illustrations on this page.

### 1. Replacing Refrigerator Door Handle

- Align keyhole slots (1) on the top and bottom of the back of the handle with the screws (2) mounted on the front of the door.
- Press the handle against the door front, making sure that the screws (2) go into the keyhole slots (1).
- Holding the handle with both hands, press it firmly against the front of the door and slide the handle down (3).



# REFRIGERATOR INSTALLATION

## REMOVING AND REPLACING REFRIGERATOR DOORS

### 1. Removing Refrigerator Door

NOTE: Handle appearance may vary.

IMPORTANT: Before you begin, turn the refrigerator OFF and unplug it. Remove food and any bins from doors.

#### ► Left Door

- Disconnect water supply tube by pushing back on the disconnect ring (1).
- Loosen the cover screw (2).
- Disconnect door switch wire (3).
- Attach the tube on the door with door.
- Pull out the tube.

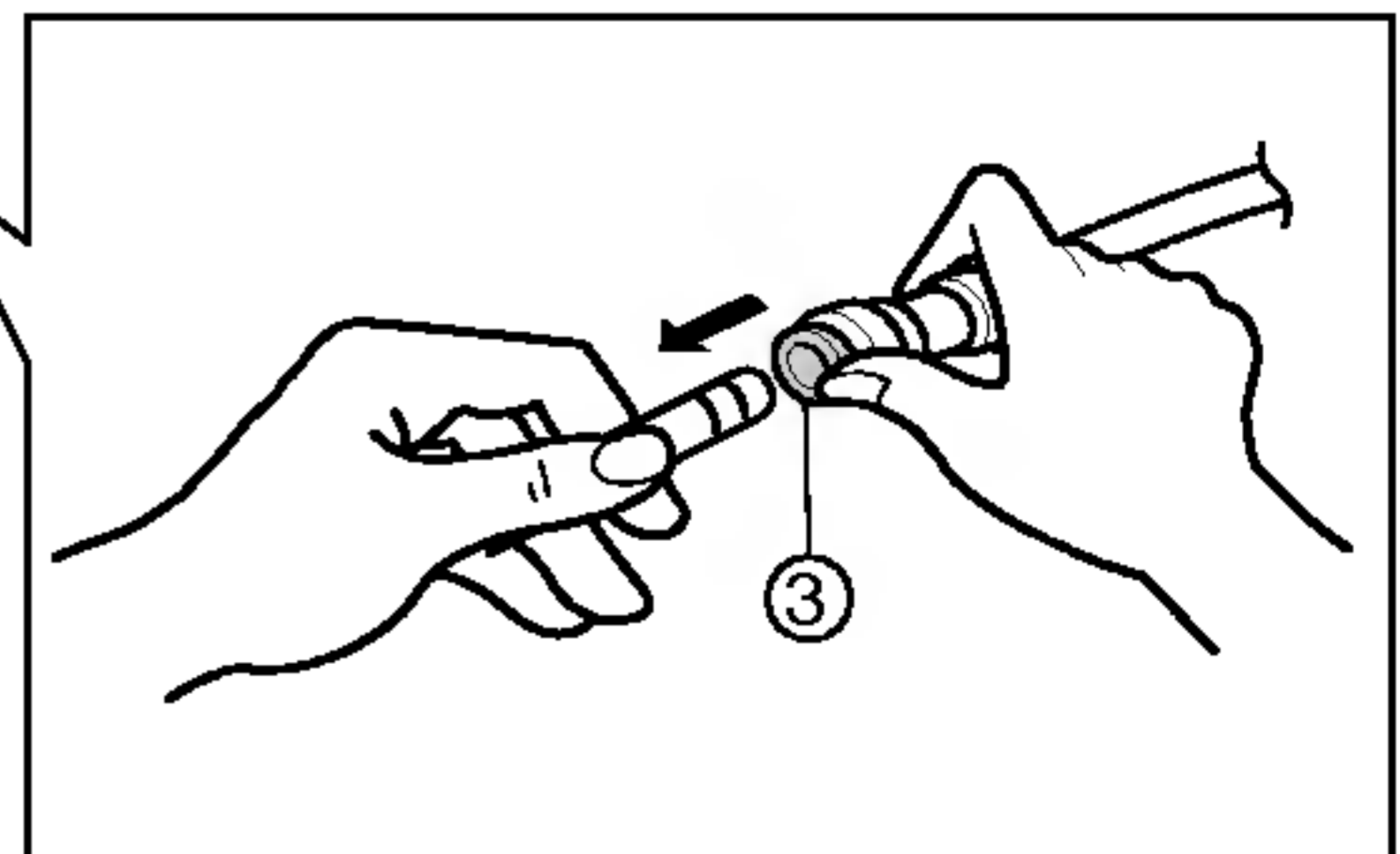
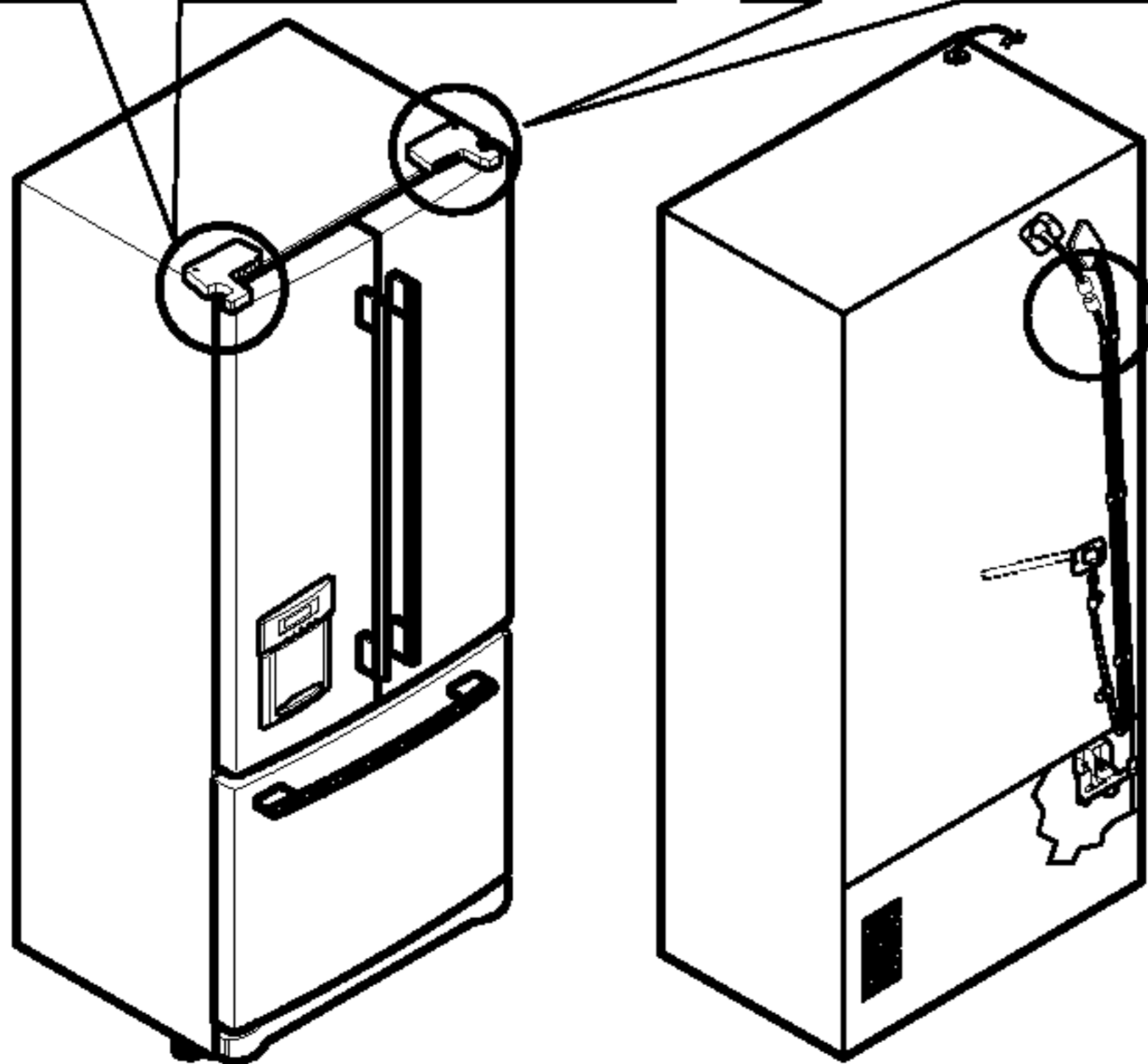
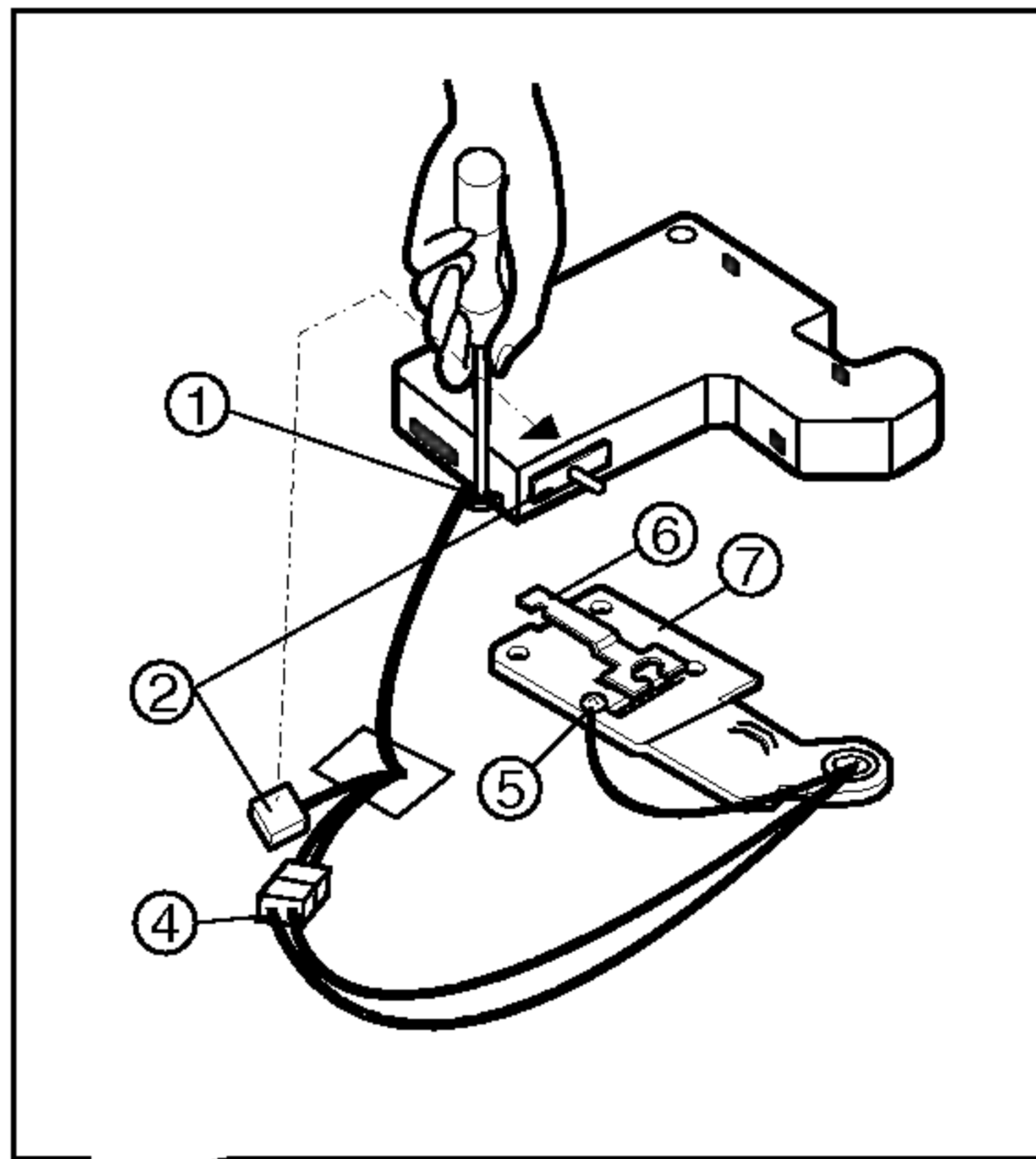
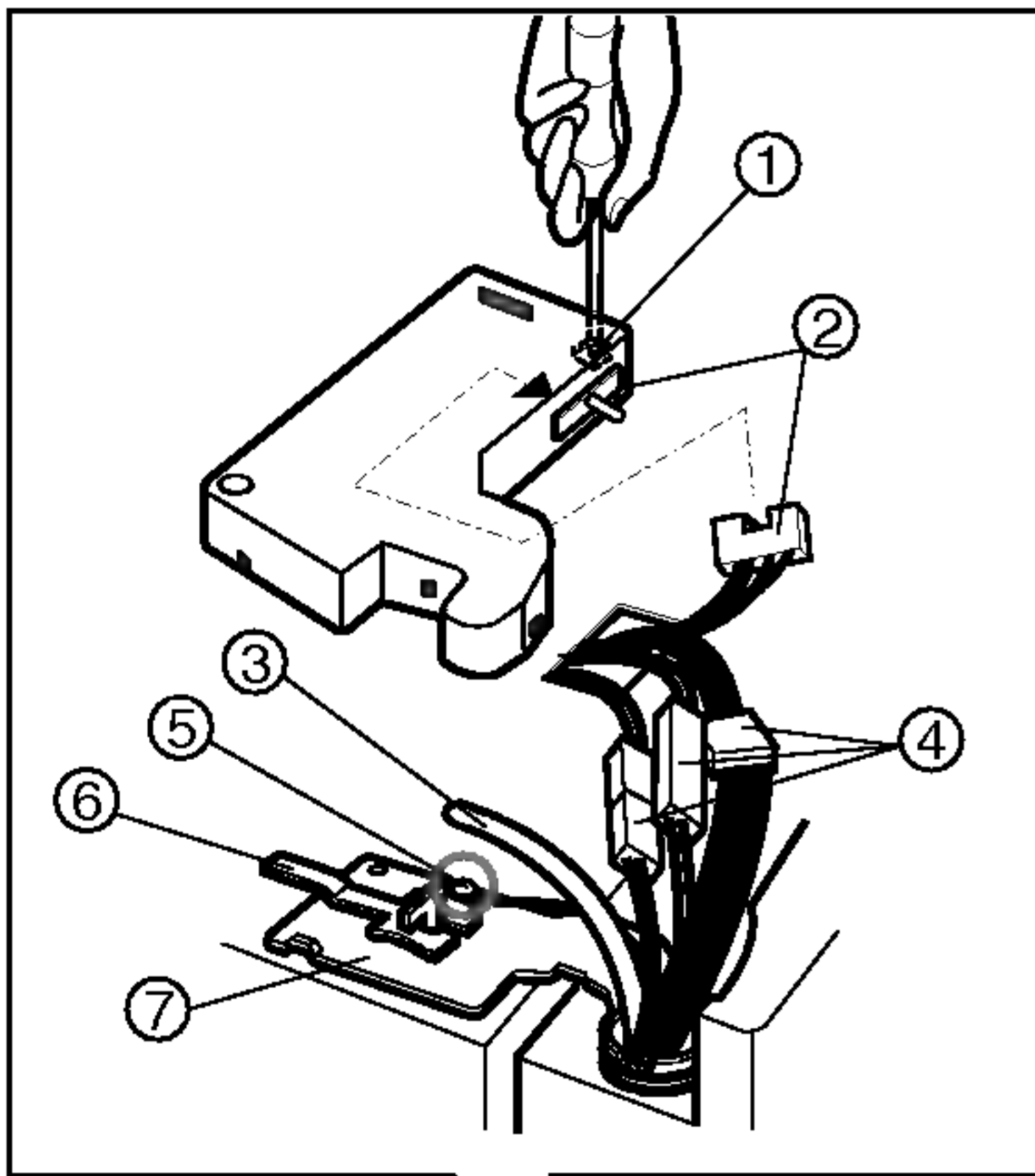
▲ **CAUTION:** If a tube end is deformed or worn out, cut the damaged portion away.

- Disconnect 3 wire harness (4).
- Remove the ground screw (5).
- Rotate the lever hinge (6) counter clockwise and lift off the top hinge (7).
- Raising it up enough to clear the middle hinge pins.
- Place the door on a non-scratching surface with the inside up.

▲ **CAUTION:** When removing top hinge, be careful that the door does not fall forward.

#### ► Right Door

- Loosen the cover screw (1).
- Disconnect door switch wire (2).
- Disconnect wire harness (4).
- Remove the ground screw (5).
- Rotate the lever hinge (6) clockwise and lift off the top hinge (7).
- Raising it up enough to clear the middle hinge pins.
- Place the door on a non-scratching surface with the inside up.





# REFRIGERATOR INSTALLATION

## 2. Replacing Refrigerator Door

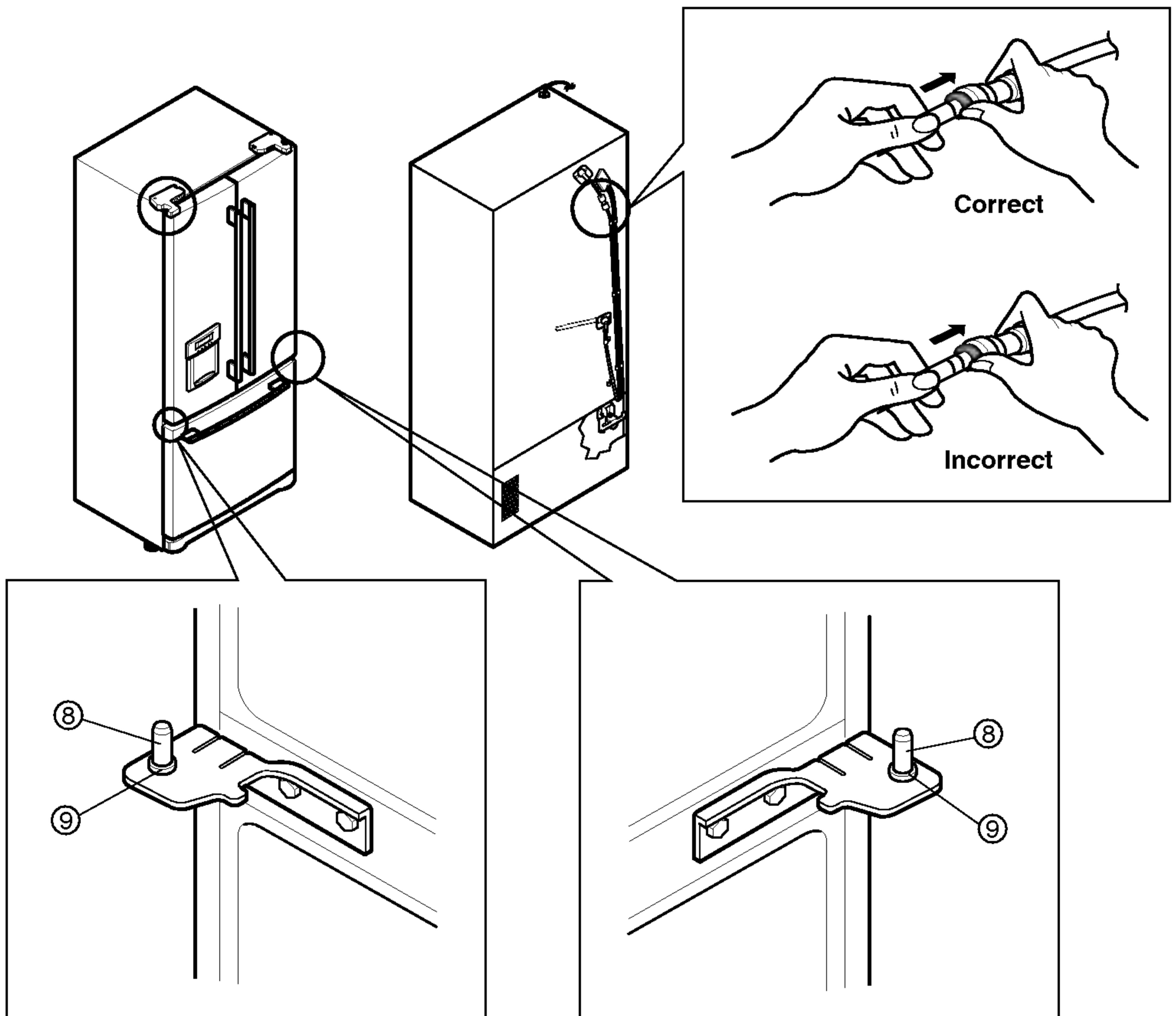
### ► Right Door

- Lower the door onto the middle hinge pin (8). Make sure the door is aligned with the cabinet.
- Replace the top hinge by rotating the hinge lever (6) counter clockwise to secure hinge.  
Make sure the gasket on the door is flush against the cabinet and is not folded. Support the door on the handle side while securing hinge. Make sure the door is straight and the gap between the doors is even.
- Install the ground screw (5) and connect the wire harness (4).
- Connect the door switch wire (2).
- Tighten the cover screw (1).

### ► Left Door

- Lower the door onto the middle hinge pin(8). Make sure the door is aligned with the cabinet.
- Replace the top hinge by rotating the hinge lever (6) clockwise to secure hinge.  
Make sure the gasket on the door is flush against the cabinet and is not folded. Support the door on the handle side while tightening. And make sure the door is straight and the gap between the doors is even.
- Insert the water supply tube (3) into the connector tube until you see only one scale mark.  
(Fully insert the tube over 5/8"(15mm)).
- Install the ground screw (5) and connect the 3 wire harness (4).
- Connect the door switch wire (2).
- Tighten the cover screw (1).

▲ **CAUTION:** Be careful of missing the washer [part (9)].  
Because it can be easily taken off.



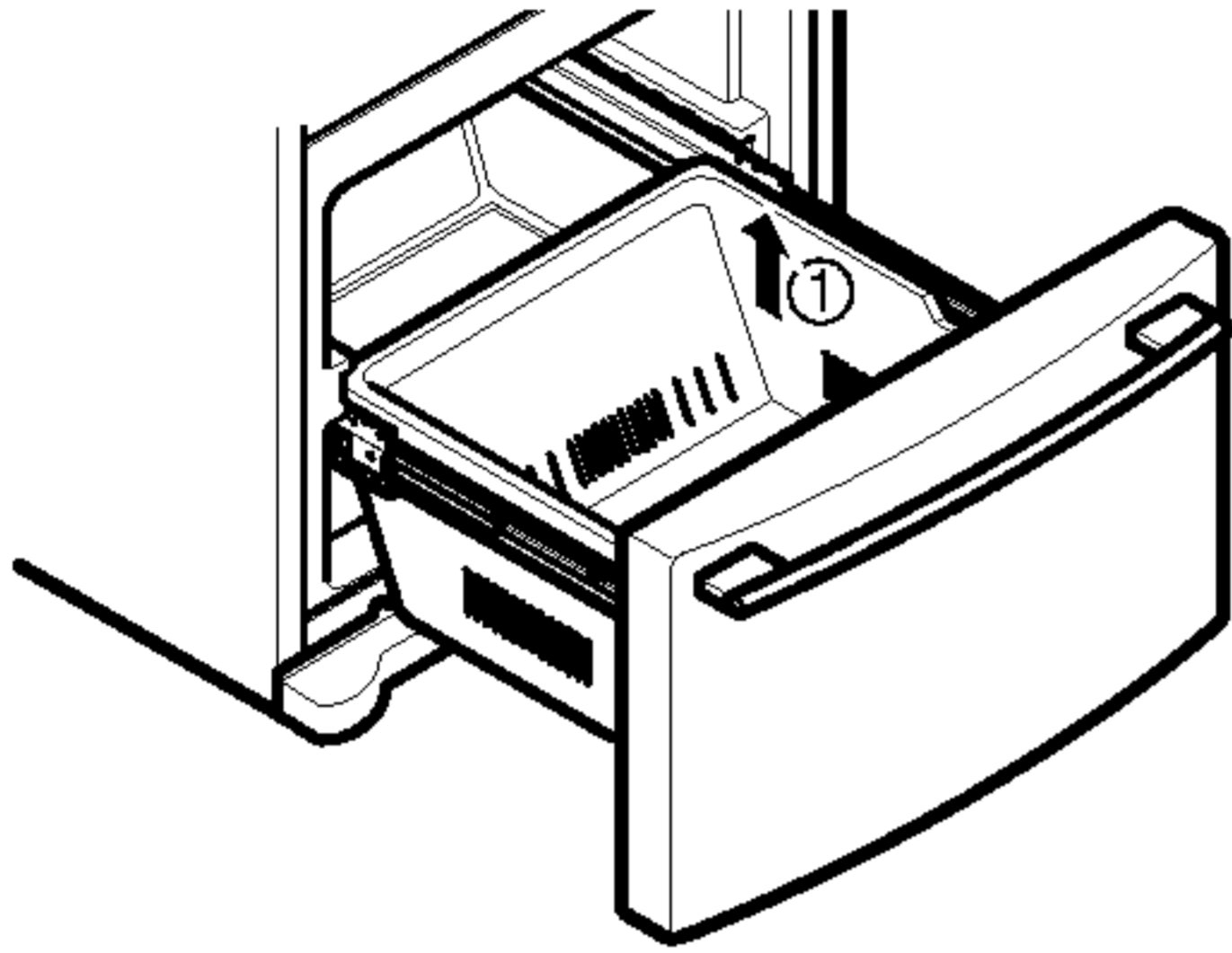
# REFRIGERATOR INSTALLATION

## HOW TO REMOVE AND INSTALL THE PULLOUT DRAWER

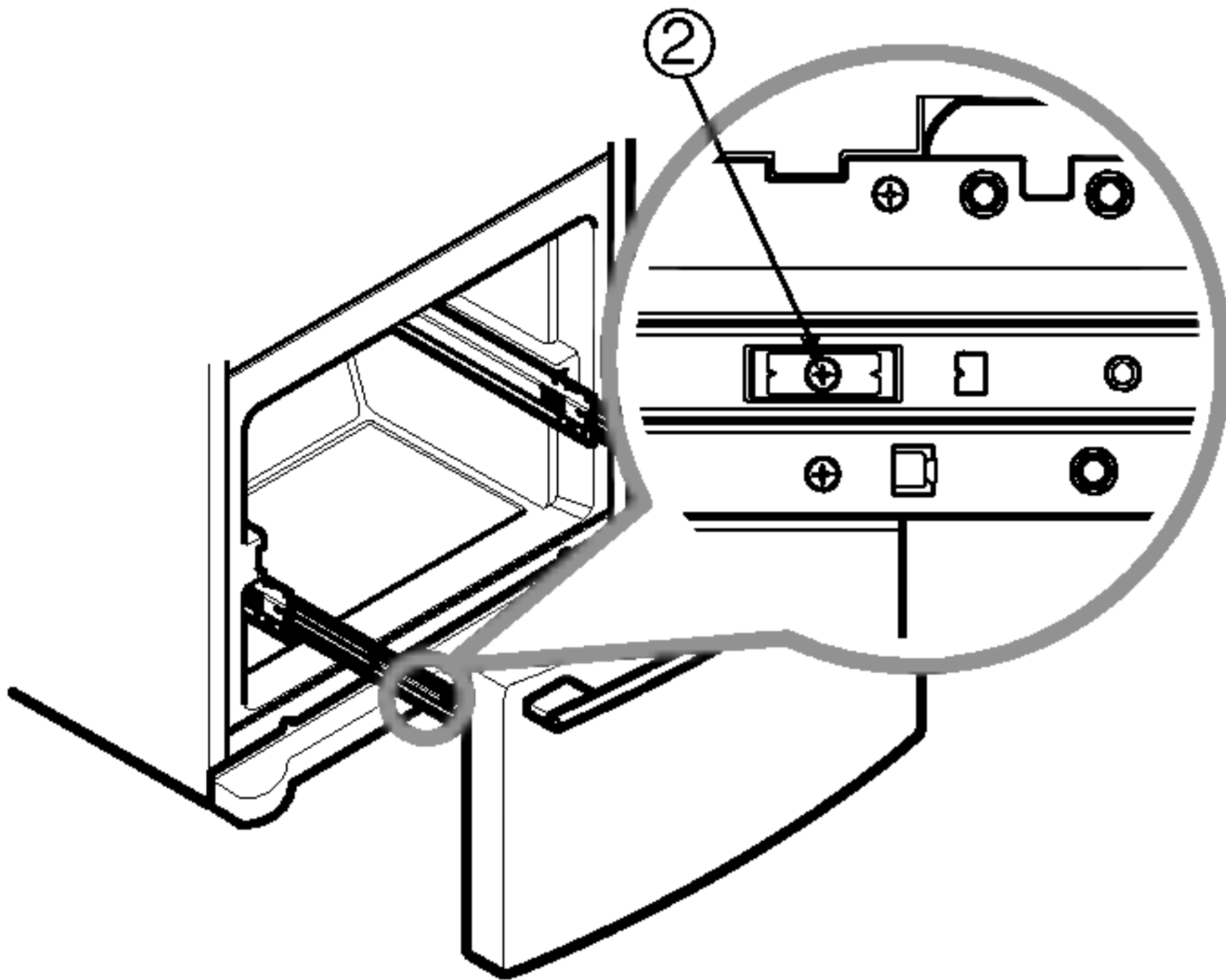
**IMPORTANT:** To avoid possible injury, product or property damage, you will need two people to perform the following instructions.

### 1. Removing Pullout Drawer

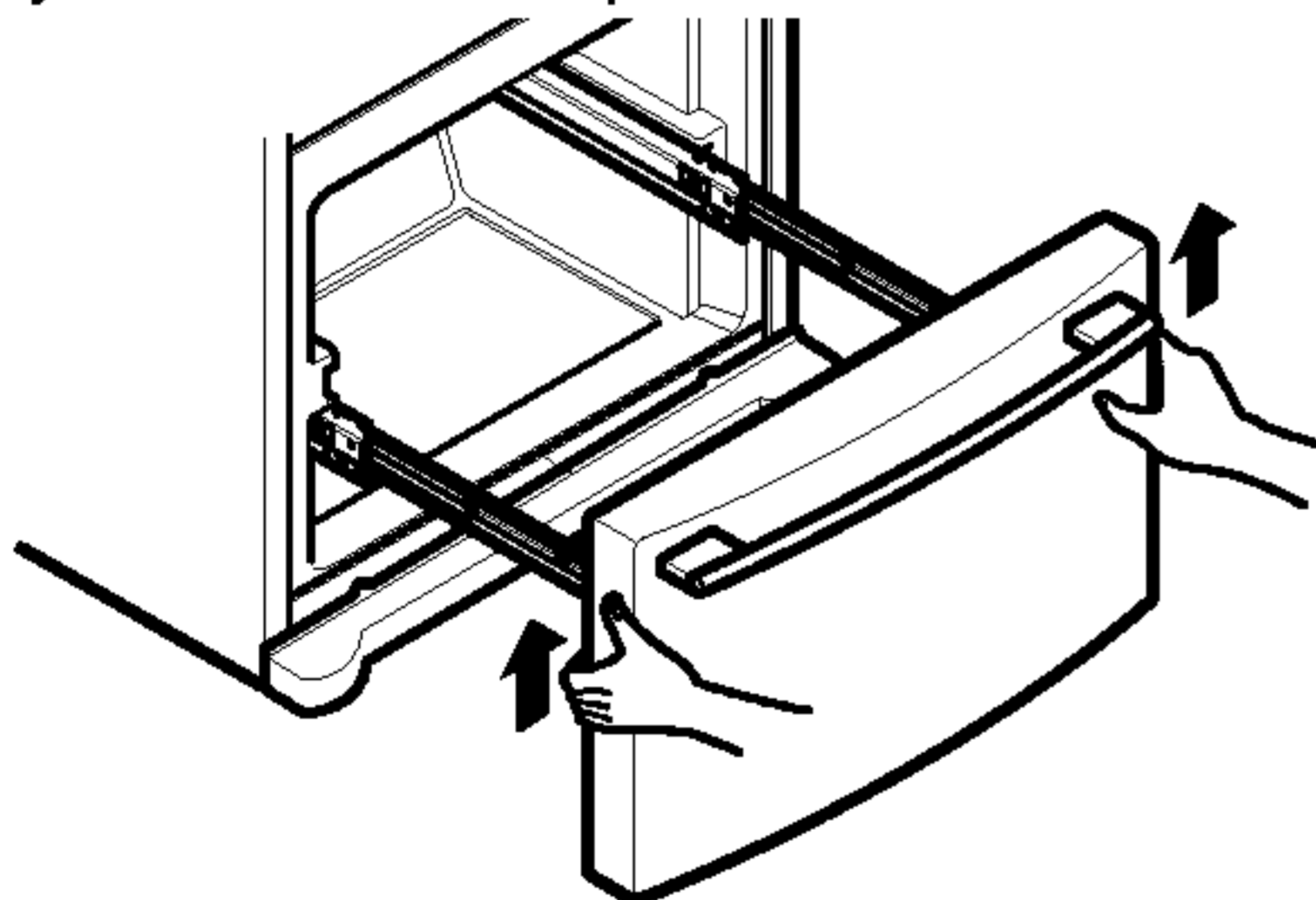
- Pull the drawer open to full extension. Remove the lower basket (1) by lifting basket from rail system.



- Remove the screw (2) from each side of rail system.



- Lift the top of door to unhook door supports from rail system. Lift door up to remove.

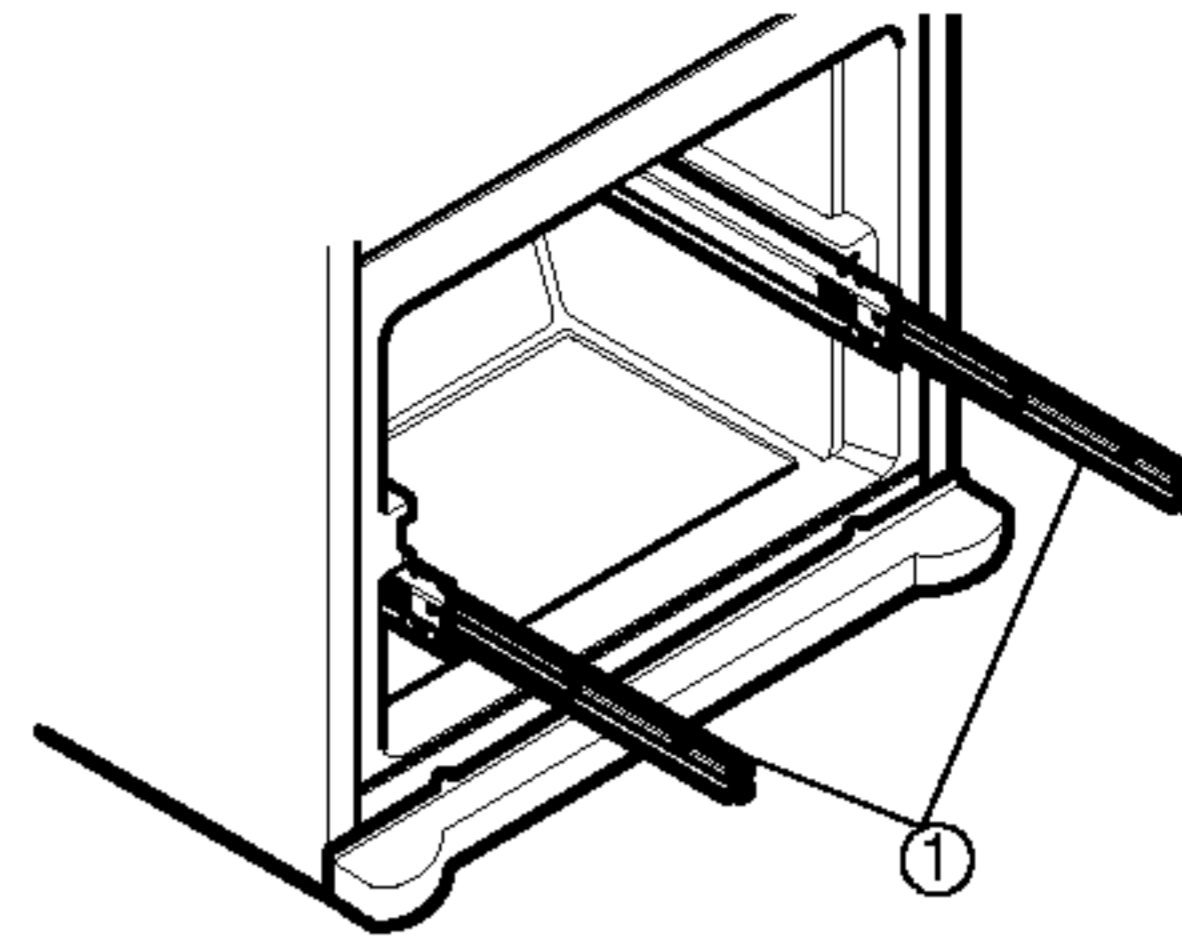


**▲ CAUTION:** When you remove the drawer, do not hold handle. If it comes off, it could cause personal injury.

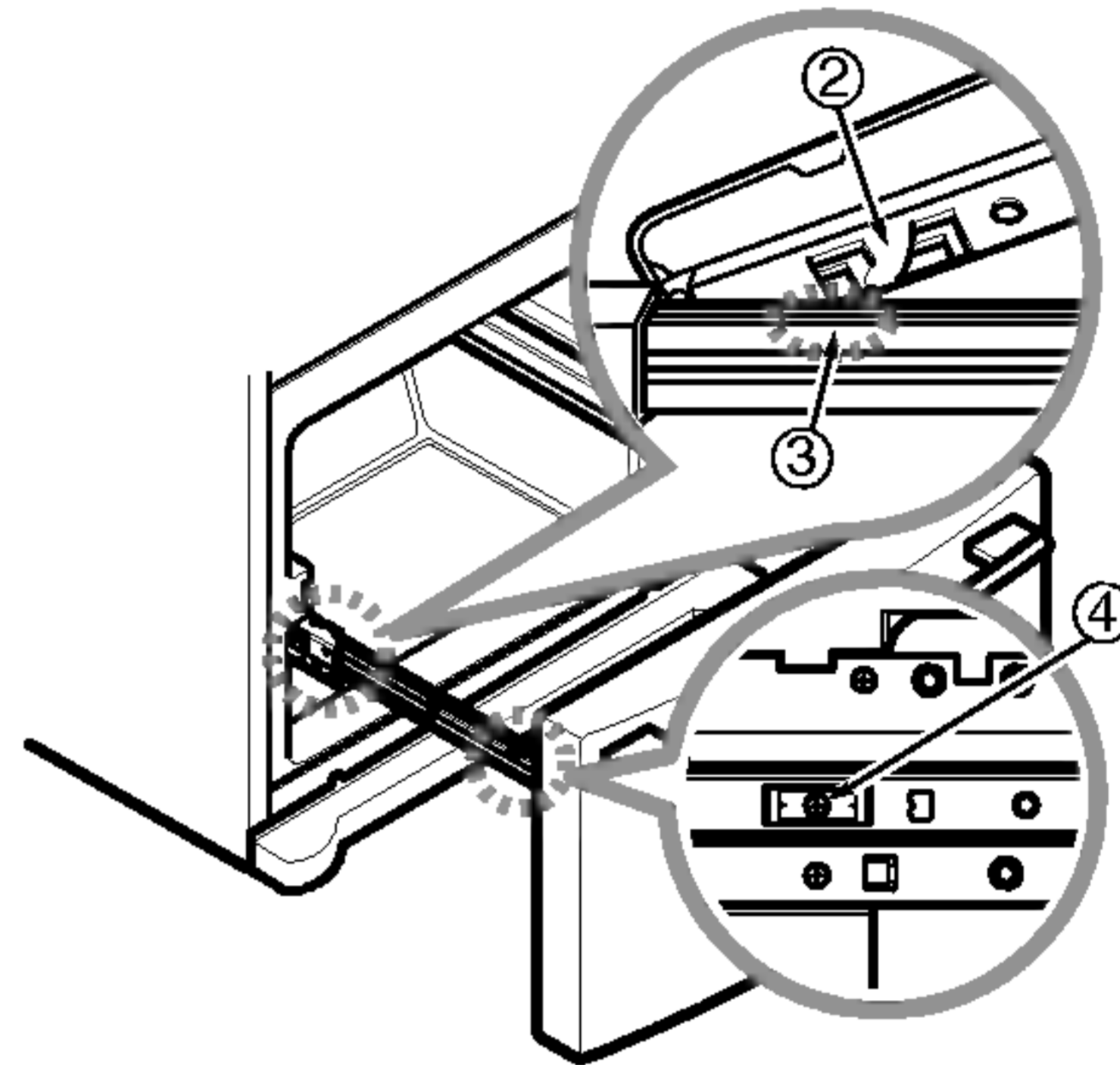
**▲ CAUTION:** When laying down the drawer, be careful not to damage the floor or hurt your feet by the sharp edges on hinge side.

### 2. Installing Pullout Drawer

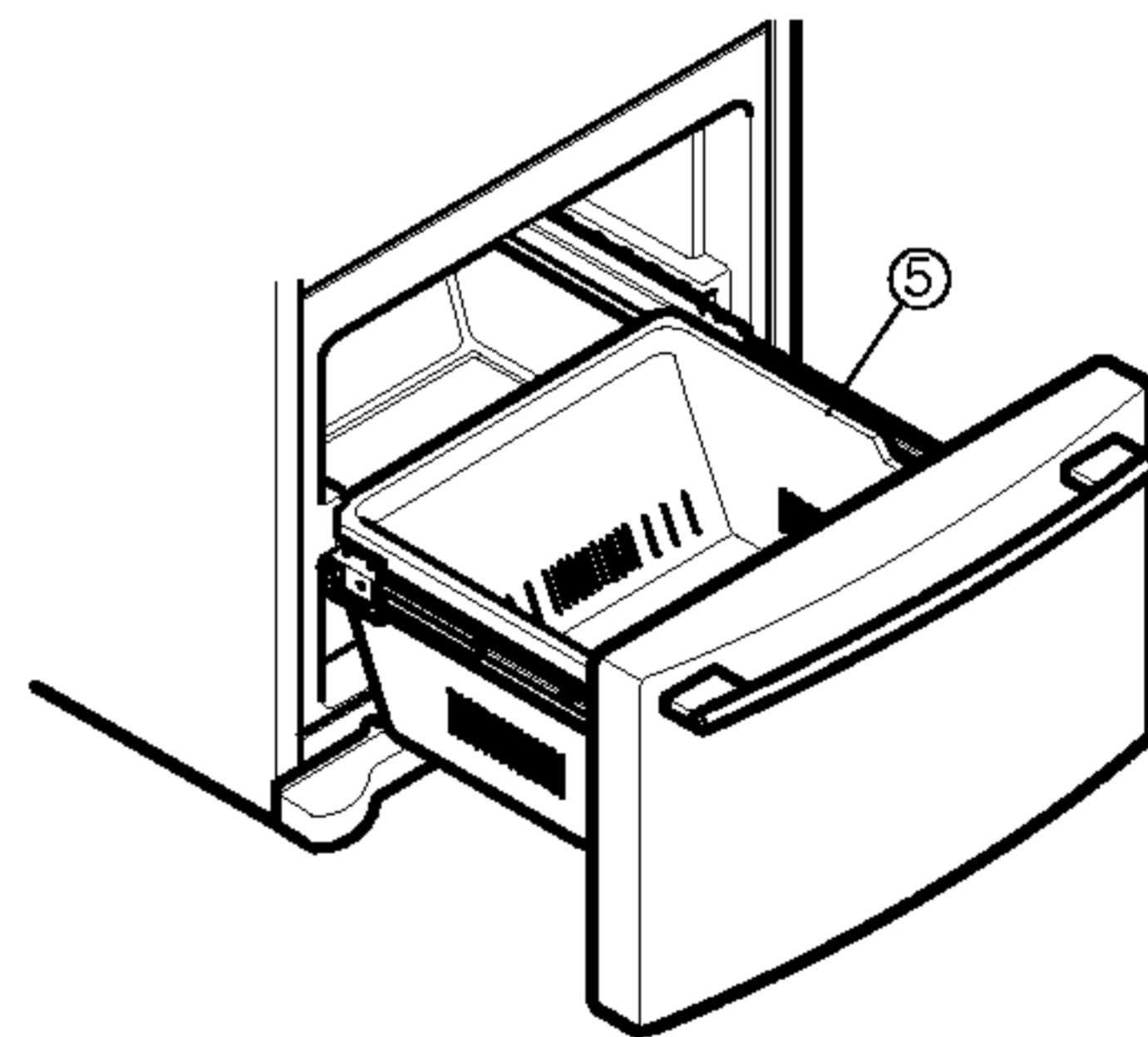
- Pull both rails (1) out to full extension.



- Hook the door supports (2) into the rail tabs (3), as illustrated, and lower the door into final position. And tighten the screw (4).



- With the drawer pulled out to full extension, insert the lower basket (5) in the rail assembly until it doesn't move forward.



**▲ WARNING:** To prevent accidental child and pet entrapment or suffocation risk. DO NOT allow them to play inside of drawer.

**▲ WARNING:** DO NOT step or sit down on Freezer Door.

# REFRIGERATOR INSTALLATION

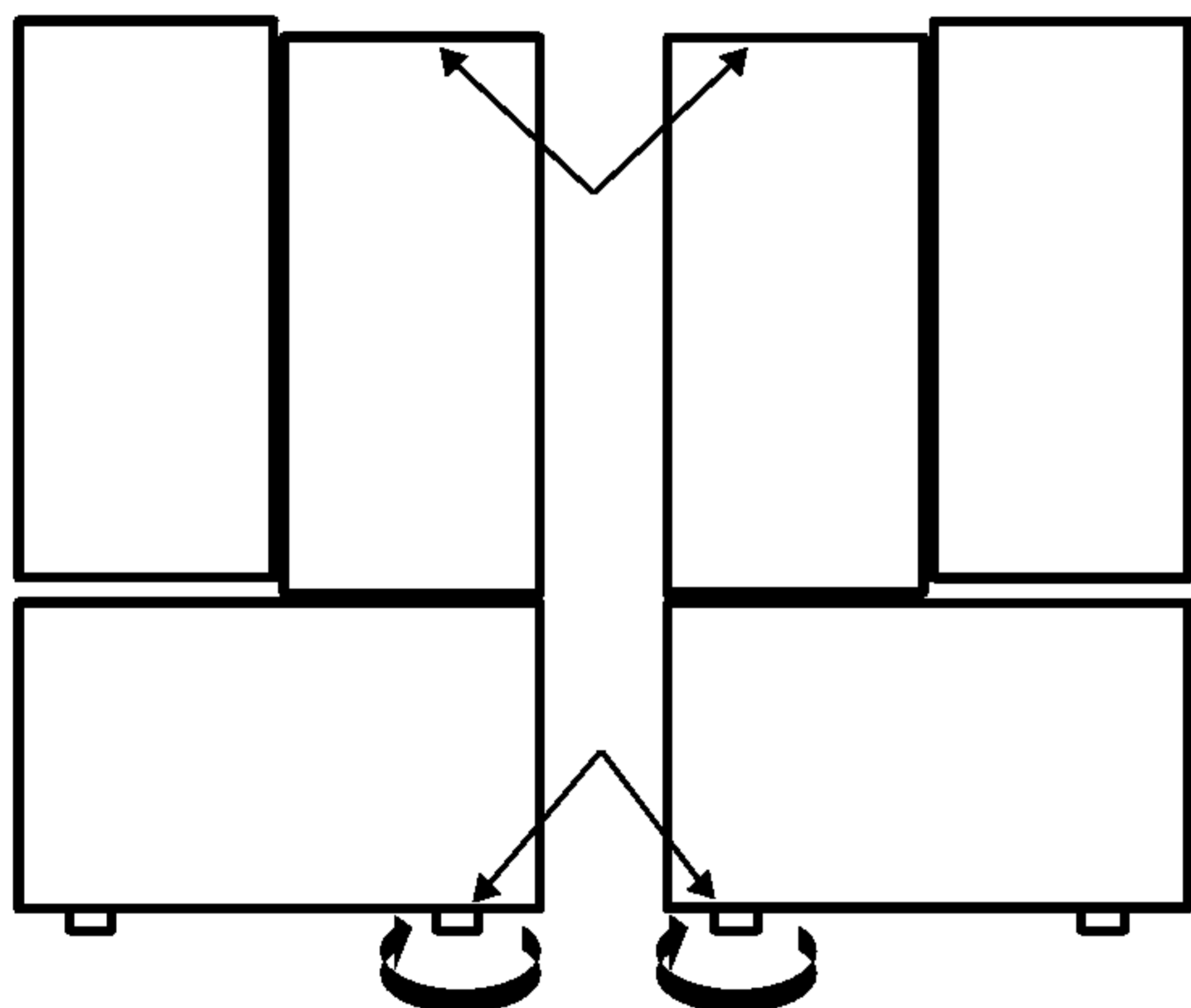
## LEVELING AND DOOR ALIGNMENT

### Leveling

Your refrigerator has two front leveling screws—one on the right and one on the left. If your refrigerator seems unsteady or you want the doors to close easier, adjust the refrigerator's tilt using the instructions below:

1. Plug the refrigerator's power cord grounded outlet. Move the refrigerator into its final position.
2. Turn the leveling screw clockwise to raise that side of the refrigerator or counterclockwise to lower it. It may take several turns of the leveling screw to adjust the tilt of the refrigerator.

**NOTE:** Having someone push against the top of the refrigerator takes some weight off the leveling screws. This makes it easier to adjust the screws.



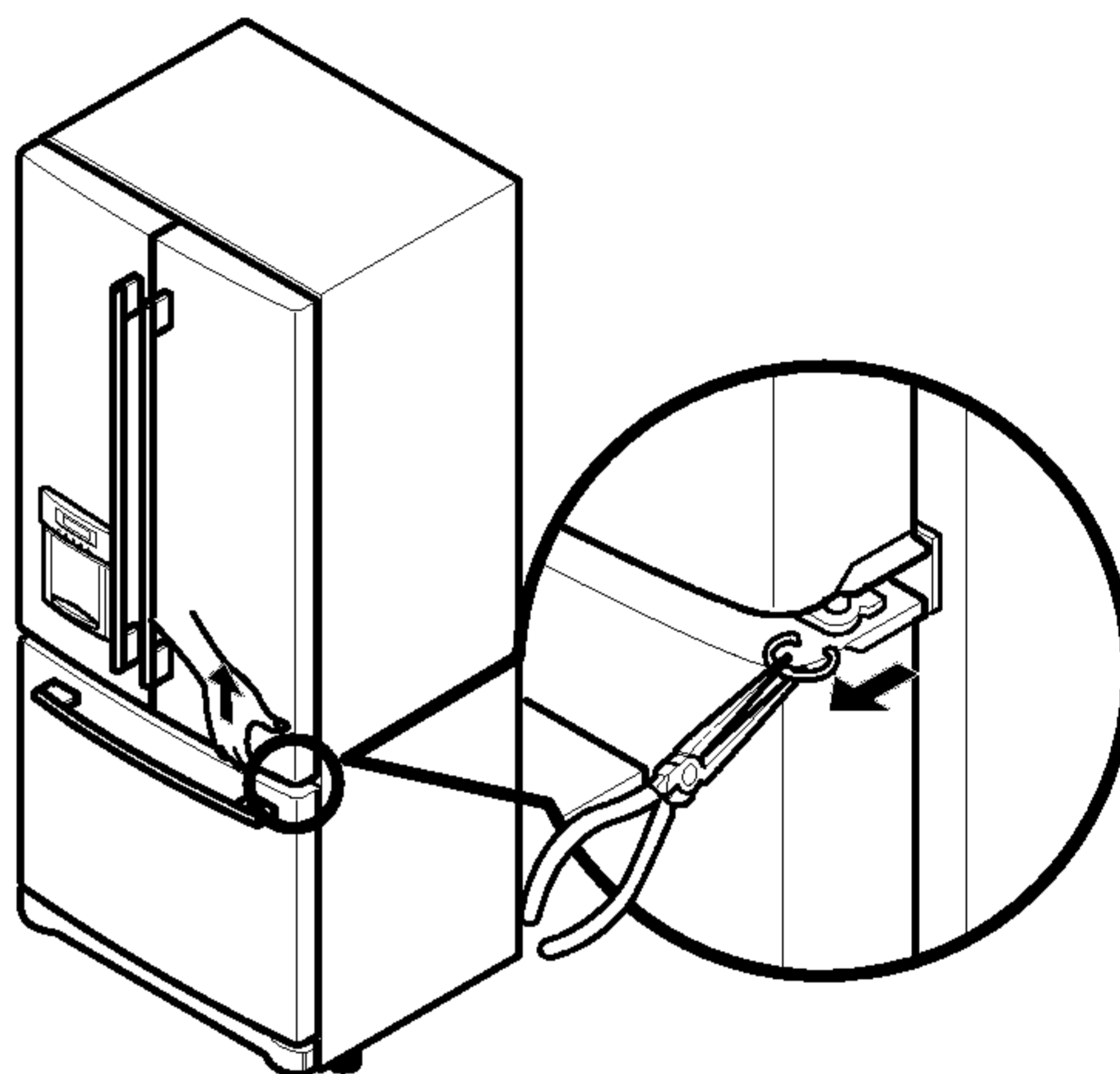
3. Open both doors again and check to make sure that they close easily. If not, tilt the refrigerator slightly more to the rear by turning both leveling screws clockwise. It may take several more turns, and you should turn both leveling screws the same amount.
4. Re-adjust if necessary.
5. Replace the base cover.

**NOTE:** Your new refrigerator is uniquely designed with two fresh food doors. Either door can be opened or closed independently of one another. You may have to exert slight pressure on doors to get them to close completely.

### Door Alignment

If the space between your doors is uneven, follow the instructions below to align the doors:

1. With one hand, lift up the door you want to raise at middle hinge.
2. With other hand, use pliers to insert snap ring as shown.
3. Insert additional snap rings until the doors are aligned. (Three snap rings are provided with unit.)



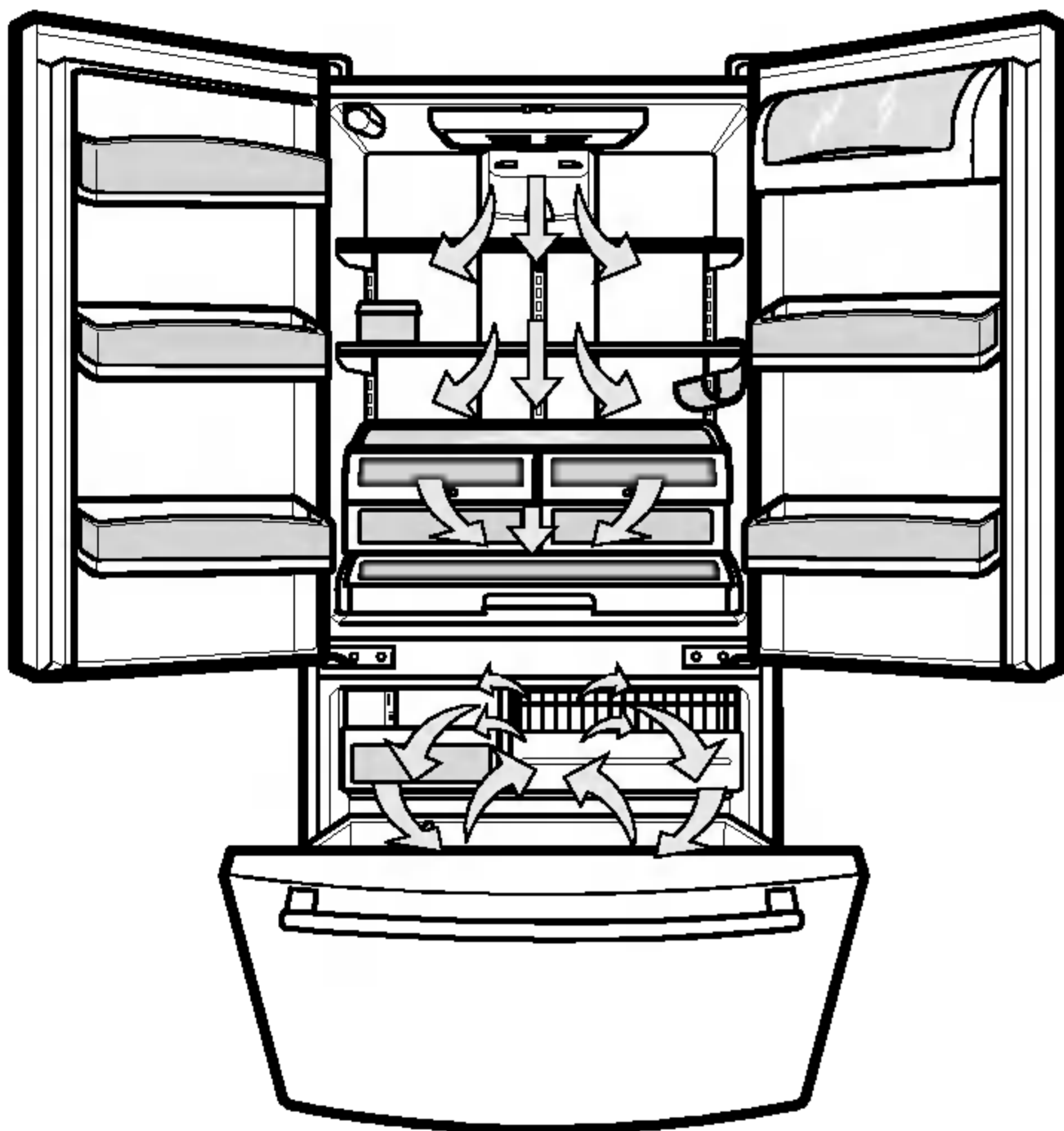
# USING YOUR REFRIGERATOR

## ENSURING PROPER AIR CIRCULATION

In order to ensure proper temperatures, air must flow between the refrigerator and freezer sections. As shown in the illustration below, air enters at top of freezer and circulates down. From bottom of freezer, air is forced up to top of refrigerator. Air enters refrigerator through top vent, then circulates and exists at bottom, where it returns to freezer.

## MULTI-FLOW

- Multi-Flow means powerful and effective cooling operation. This is especially noticeable when new food is placed in the refrigerator compartment.
- If water or foreign substances enter the cool air vent while cleaning, efficiency will be lowered. In addition, if gasket is damaged, efficiency may be lowered because of escaping cool air.

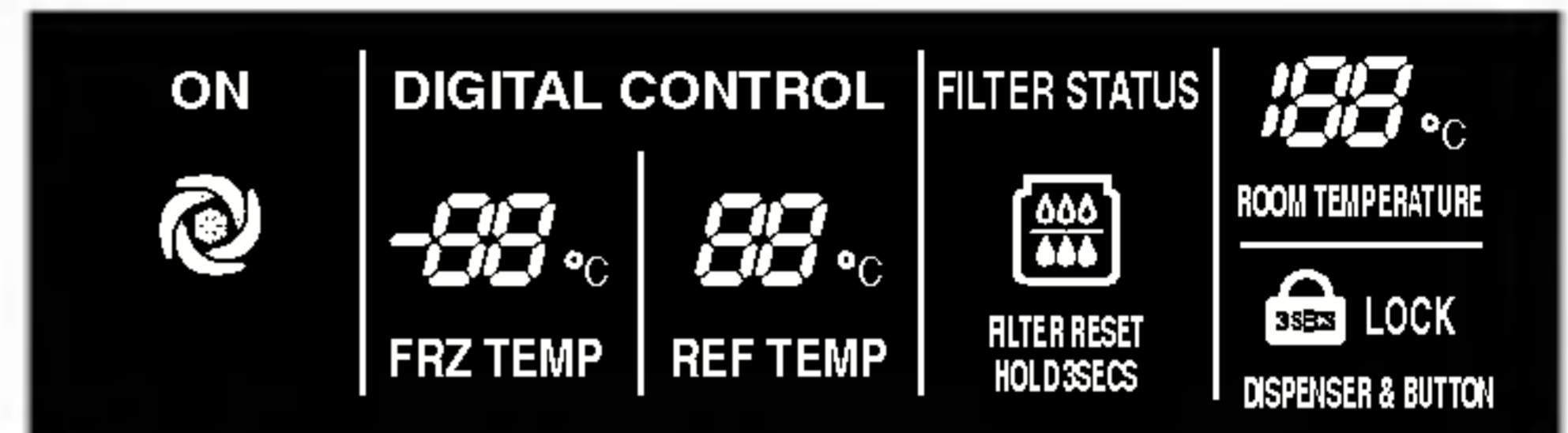


**Do not block any of cool air vents** with food packages. If the vents are blocked, airflow will be interrupted and temperature and moisture problems may occur.

**IMPORTANT:** Because air circulates between both sections, any odors formed in one section will transfer to the other. You must thoroughly clean both sections to eliminate odors. To prevent odor transfer and drying out of food, wrap or cover foods tightly. (See the Food Storage Guide section for details.)

## SETTING THE CONTROLS

- Your refrigerator has a control pad on the dispenser that lets you regulate the temperature in the freezer and refrigerator compartments.
- Initially set the REFRIGERATOR CONTROL at 3°C and the FREEZER CONTROL at -18°C. Leave it at this setting for 24 hours (one day) to stabilize. Then adjust the compartment temperature as desired.



- Refrigerator Temp Control: 0°C to 8°C  
The lower the number setting, the colder the refrigerator compartment will become.
  - Freezer Temp Control: -21°C to -13°C  
When the setting is at a lower number, the freezer compartment becomes colder. But the refrigerator compartment becomes warmer because less cold air flows into the refrigerator.
  - Express Freezing : Press the EXPRESS FRZ button and the LED will turn on. This function will remain activated for 24 hours and increase the cooling speed of the freezer and the amount of ice produced.
  - Dispenser Lock : Press and hold the LOCK button for 3 seconds to lock the dispenser. When it is locked, the LED will be off and the dispenser will not operate. To unlock, press and hold the LOCK button for 3 seconds.
  - Filter Reset : When the FILTER RESET LED turns on, you have to change the water filter. Press the FILTER RESET button for 3 seconds to turn LED off. You need to change the water filter approximately every 6 months.
- ▲ WARNING:** If a door is open, the dispenser does not work.

# USING YOUR REFRIGERATOR

## ADJUSTING CONTROL SETTINGS

Give the refrigerator time to cool down completely before making final adjustments. It is best to wait 24 hours before doing this. The mid-settings indicated in the previous section should be correct for normal household refrigerator usage. The controls are set correctly when milk or juice is as cold as you like and when ice cream is firm.

The refrigerator control functions as the thermostat for the entire appliance (refrigerator and freezer sections). The higher the number setting, the longer the compressor will run to keep the temperature colder. The freezer control adjusts the cold air flow from the freezer to the refrigerator. Setting the freezer control to a lower temperature keeps more cold air in the Freezer compartment to make it colder.

If you need to adjust temperatures in the refrigerator or freezer, start by adjusting the refrigerator. Then wait 24 hours before checking the freezer temperature. If it is too warm or too cold, then adjust the freezer control.

Use the settings listed in the chart below as a guide. **Always remember to wait at least 24 hours between adjustments.**

CONDITION/ REASON:	RECOMMENDED ADJUSTMENT:
<ul style="list-style-type: none"> <li>■ REFRIGERATOR section too warm</li> <li>– Door opened often</li> <li>– Large amount of food added</li> <li>– Room temperature very warm</li> </ul>	Set REFRIGERATOR control to next lower number, wait 24 hours, then re-check
<ul style="list-style-type: none"> <li>■ FREEZER section too warm/ice not made fast enough</li> <li>– Door opened often</li> <li>– Large amount of food added</li> <li>– Very cold room temperature (can't cycle often enough)</li> <li>– Heavy ice usage</li> <li>– Air vents blocked by items</li> </ul>	Set FREEZER control to next lower number, wait 24 hours, then re-check  Move items out of airstream
<ul style="list-style-type: none"> <li>■ REFRIGERATOR section too cold</li> <li>– Controls not set correctly for your conditions</li> </ul>	Set REFRIGERATOR control to next higher number, wait 24 hours, then re-check
<ul style="list-style-type: none"> <li>■ FREEZER section too cold</li> <li>– Controls not set correctly for your conditions</li> </ul>	Set FREEZER control to next higher number, wait 24 hours, then re-check

## FOOD STORAGE GUIDE

Wrap or store food in the refrigerator in airtight and moisture-proof material unless otherwise noted. This prevents food odor and taste transfer throughout the refrigerator. For dated products, check date code to ensure freshness.

Items	How to
<b>Butter or margarine</b>	▶ Keep opened butter in a covered dish or closed compartment. When storing an extra supply, wrap in freezer packaging and freeze.
<b>Cheese</b>	▶ Store in the original wrapping until you are ready to use it. Once opened, rewrap tightly in plastic wrap or aluminum foil.
<b>Milk</b>	▶ Wipe milk cartons. For best storage, place milk on interior shelf, not on door shelf.
<b>Eggs</b>	▶ Store in original carton or Egg Box on interior shelf, not on door shelf.
<b>Fruit</b>	▶ Wash, let dry, and store in refrigerator in plastic bags or in the crisper. Do not wash or hull berries until you are ready to use them. Sort and keep berries in their original container in a crisper, or store in a sloosely closed paper bag on a refrigerator shelf.
<b>Leafy vegetables</b>	▶ Remove store wrapping and trim or tear off bruised and discolored areas. Wash in cold water and drain. Place in plastic bag or plastic container and store in crisper.
<b>Vegetables with skins (carrots, peppers)</b>	▶ Place in plastic bags or plastic container and store in crisper.
<b>Fish</b>	▶ Use fresh fish and shellfish the same day purchased.
<b>Leftovers</b>	▶ Cover leftovers with plastic wrap or aluminum foil. Plastic containers with tight lids can also be used.

# USING YOUR REFRIGERATOR

## STORING FROZEN FOOD

**NOTE:** For further information about preparing food for freezing or food storage times, check a freezer guide or a reliable cookbook.

### Packaging

Successful freezing depends on correct packaging. When you close and seal the package, it must not allow air or moisture in or out. If it does, you could have food odor and taste transfer throughout the refrigerator and also dry out frozen food.

### Packaging recommendations:

- Rigid plastic containers with tight-fitting lids
- Straight-sided canning/freezing jars
- Heavy-duty aluminum foil
- Plastic-coated paper
- Non-permeable plastic wraps
- Specified freezer-grade self-sealing plastic bags

Follow package or container instructions for proper freezing methods.

### Do not use:

- Bread wrappers
- Non-polyethylene plastic containers
- Containers without tight lids
- Wax paper or wax-coated freezer wrap
- Thin, semi-permeable wrap

**▲ CAUTION:** Do not keep beverage cans or plastic food containers in the freezer compartment. They may break if they freeze.

### Freezing

Your freezer will not quick-freeze any large quantity of food. Do not put more unfrozen food into the freezer than will freeze within 24 hours. Leave enough space in the freezer for air to circulate around packages. Be careful to leave enough room at the front so the door can close tightly.

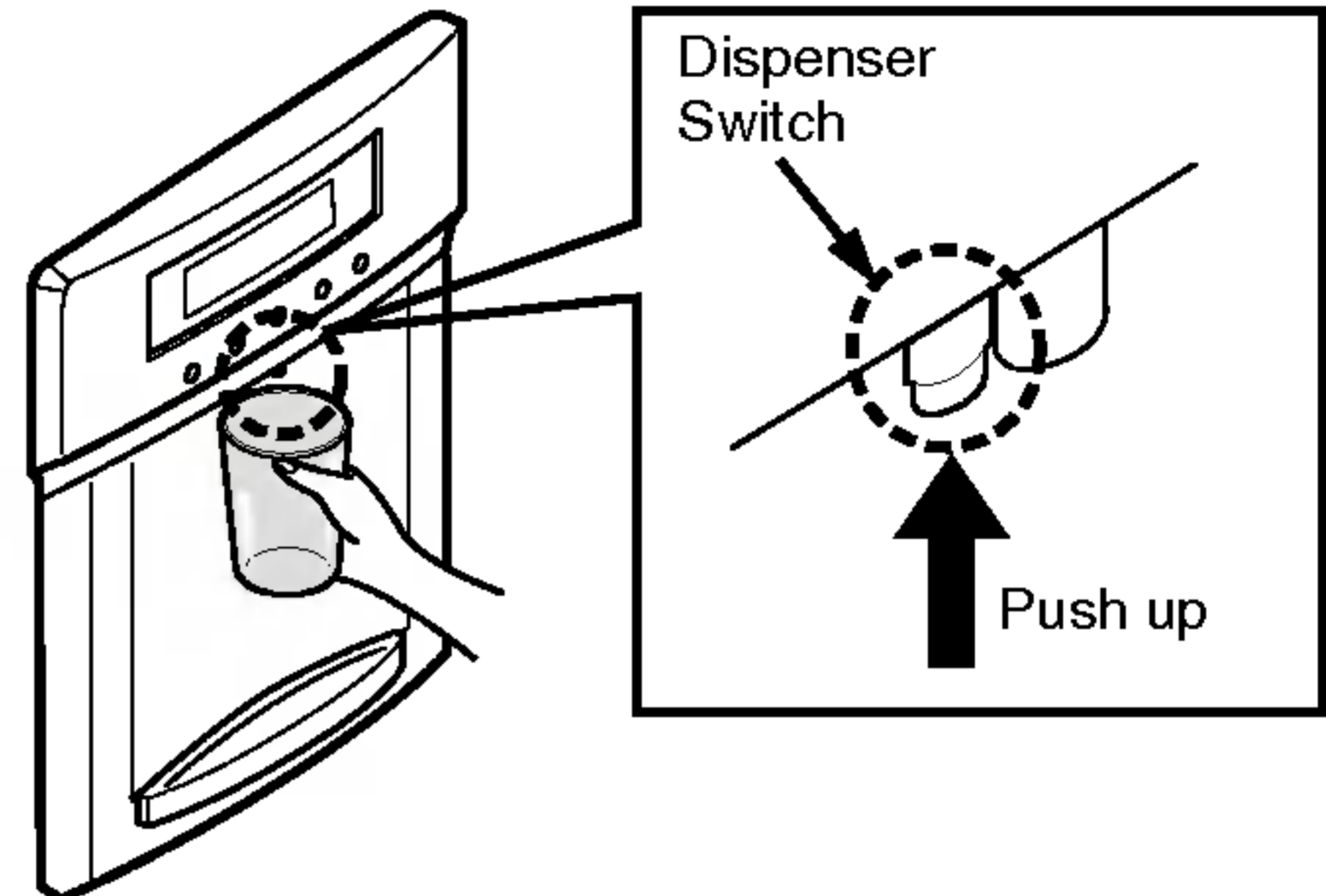
Storage times will vary according to the quality and type of food, the type of packaging or wrap used (airtight and moisture-proof) and the storage temperature. Ice crystals inside a sealed package are normal. This simply means that moisture in the food and air inside the package have condensed, creating ice crystals.

**NOTE:** Allow hot foods to cool at room temperature for 30 minutes, then package and freeze. Cooling hot foods before freezing saves energy.

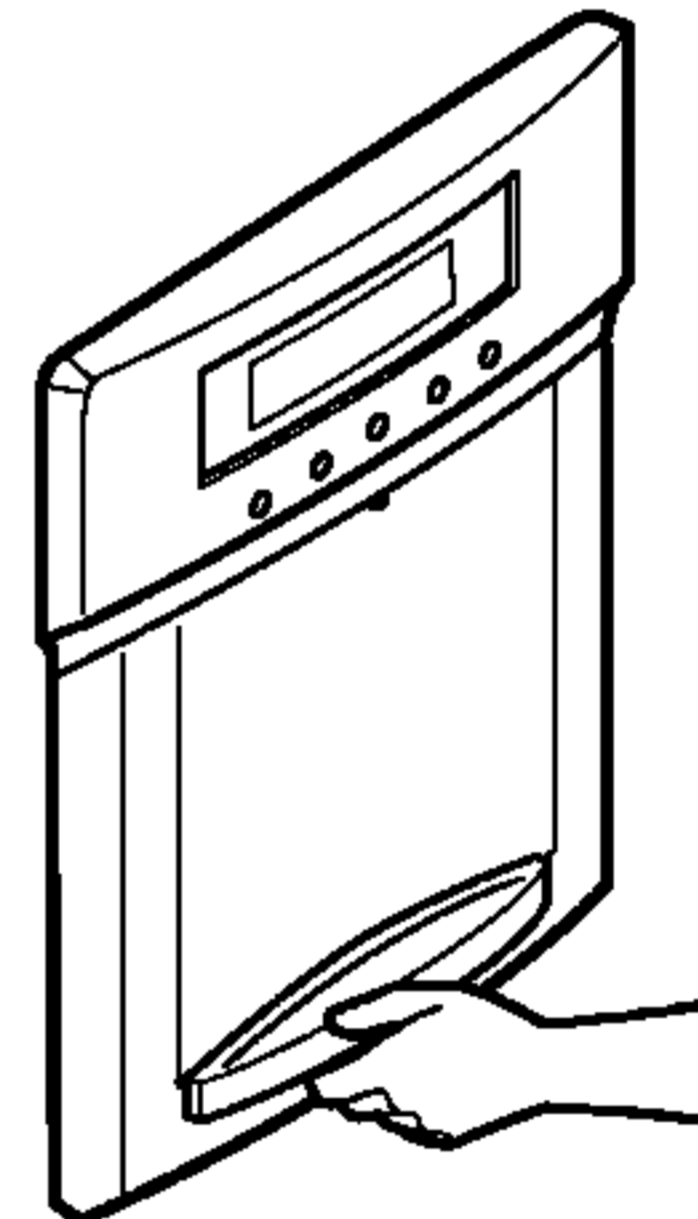
## REFRIGERATOR SECTION

### WATER DISPENSER

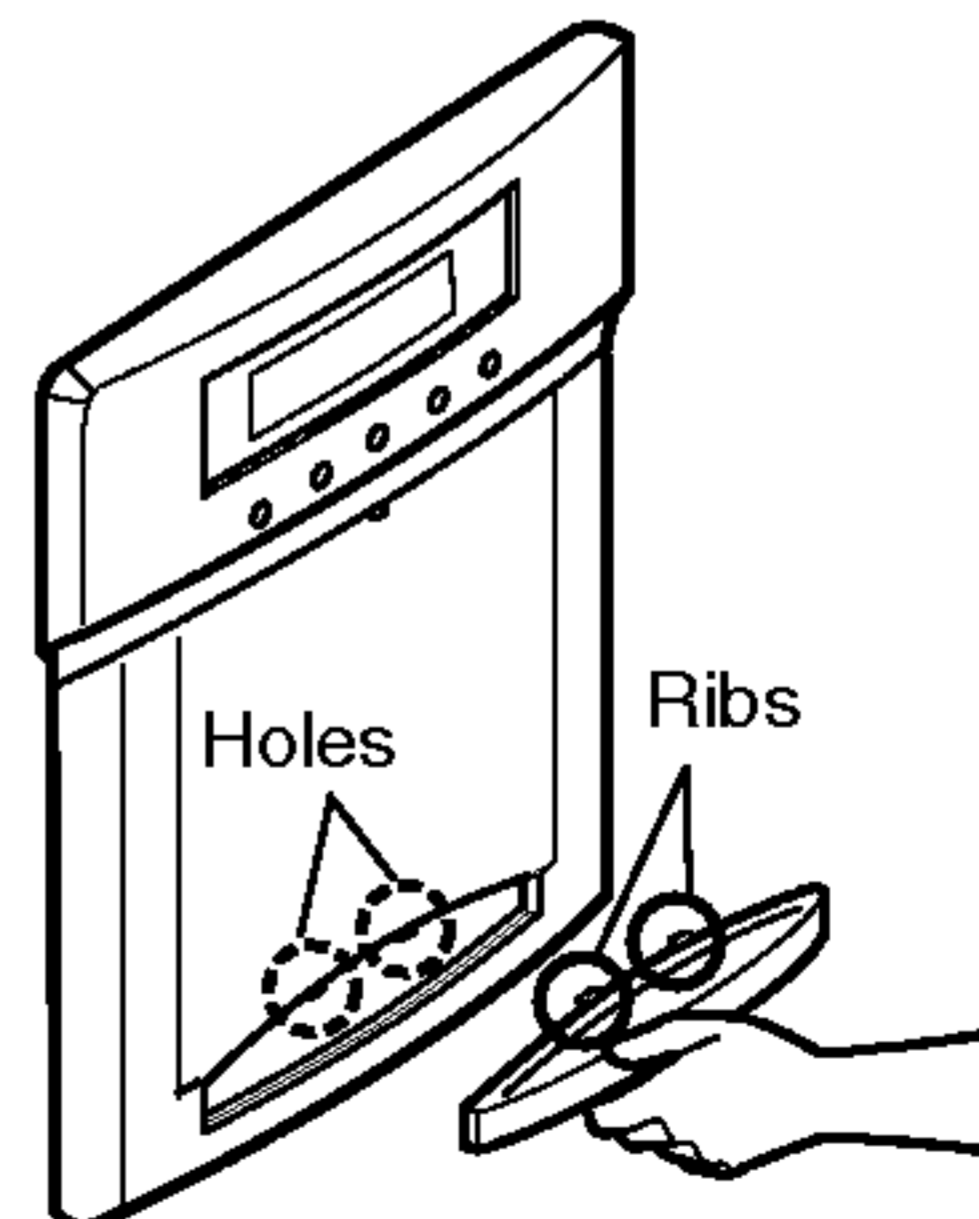
Push up the dispenser switch with a glass until you hear click to get cold water.



Tray can be easily removed by pressing and pulling it.



Tilt up the front of tray slightly and snap the ribs into the holes to replace the tray.



# USING YOUR REFRIGERATOR

## REFRIGERATOR SHELVES

The shelves in your refrigerator are adjustable to meet your individual storage needs. Your model may have glass or wire shelves.

Storing similar food items together in your refrigerator and adjusting the shelves to fit different heights of items will make finding the exact item you want easier; it will also reduce the amount of time the refrigerator door is open, saving energy.

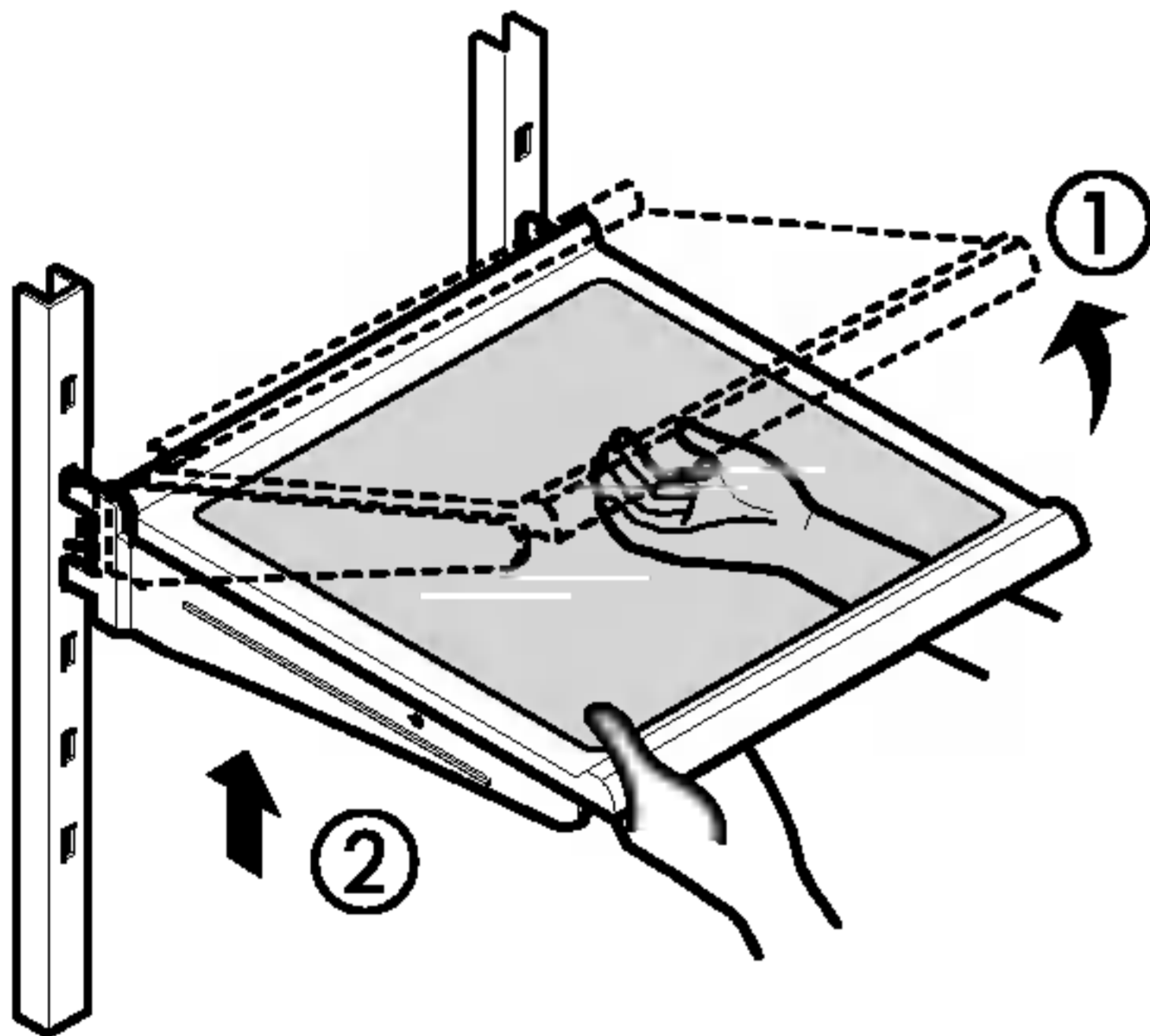
**IMPORTANT:** Do not clean glass shelves with warm water when they are cold. Shelves may break if exposed to sudden temperature changes or impact, such as bumping. For your protection, glass shelves are made with tempered glass, which will shatter into small pebble-sized pieces.

**NOTE:** Glass shelves are heavy. Use special care when removing them to avoid dropping them.

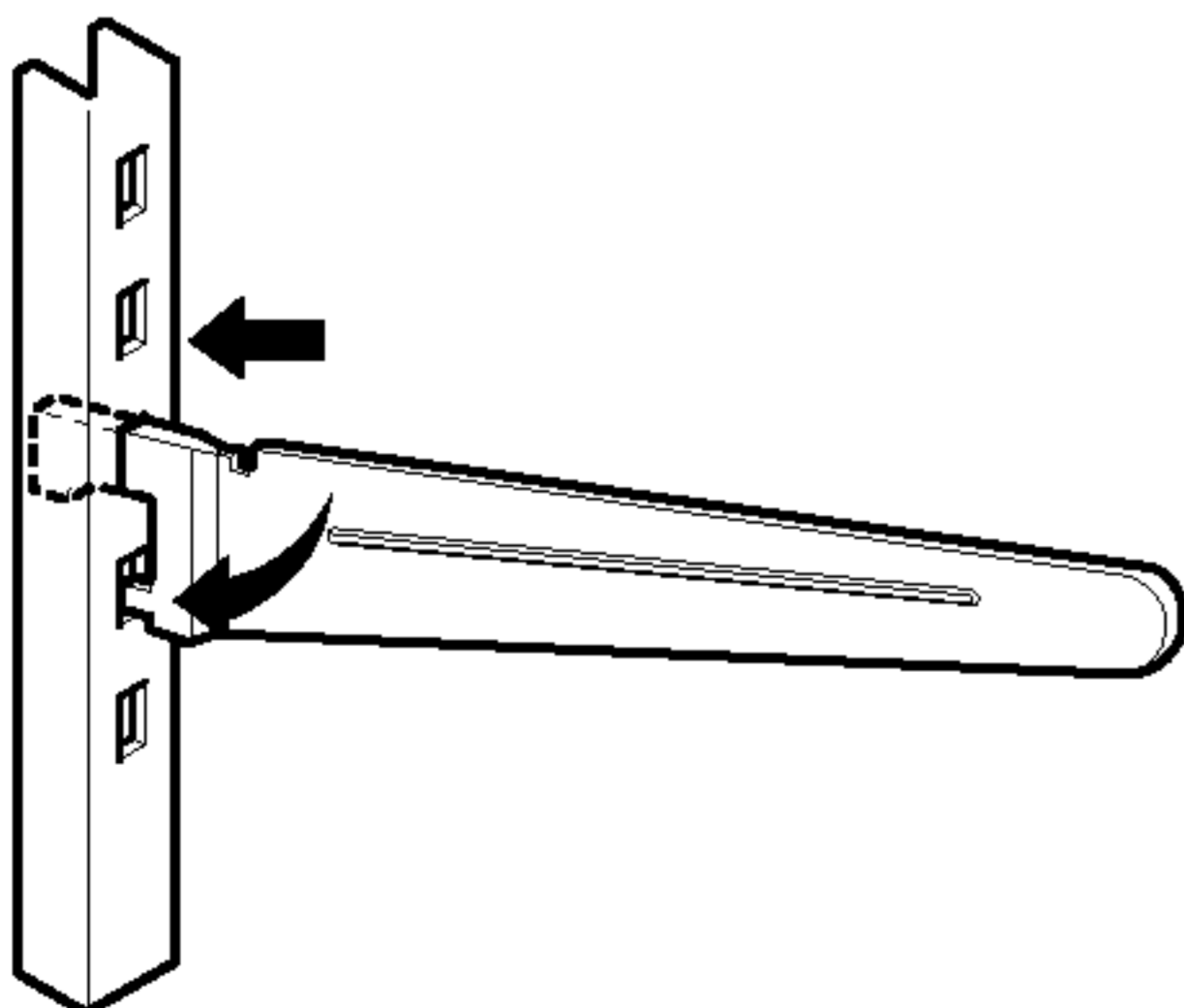
### Adjusting Shelves

Remove shelves from the shipping position and replace shelves in the position you want.

- **To remove a shelf**—Tilt up the front of the shelf in the direction of (1) and lift it in the direction of (2). Pull the shelf out.



- **To replace a shelf**—Tilt the front of the shelf up and guide the shelf hooks into the slots at a desired height. Then lower the front of the shelf so that the hooks drop into the slots.

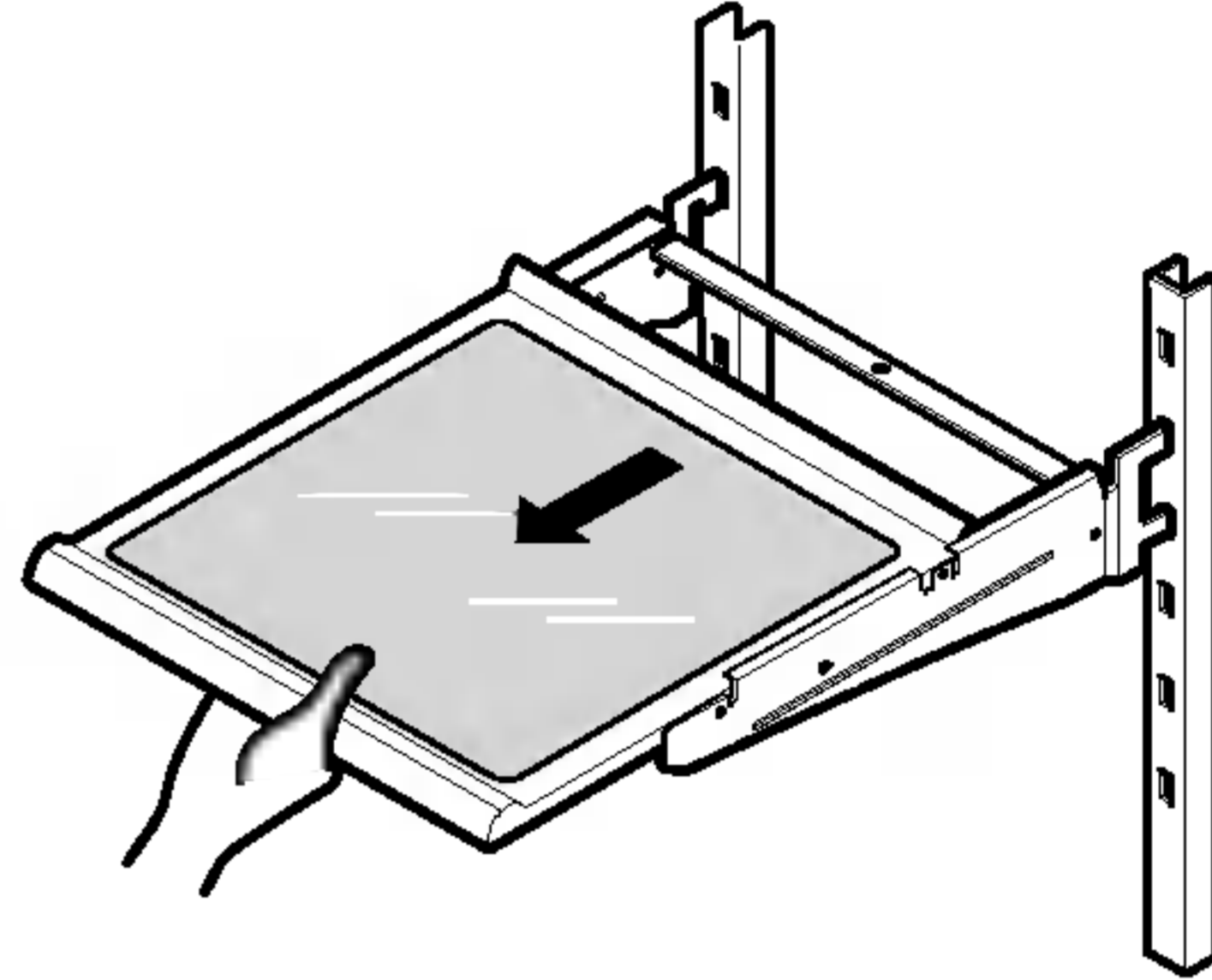


- ▲ **CAUTION:** Make sure that shelves are level from one side to the other. Failure to do so may result in the shelf falling or spilling food.

### Sliding Out Shelves

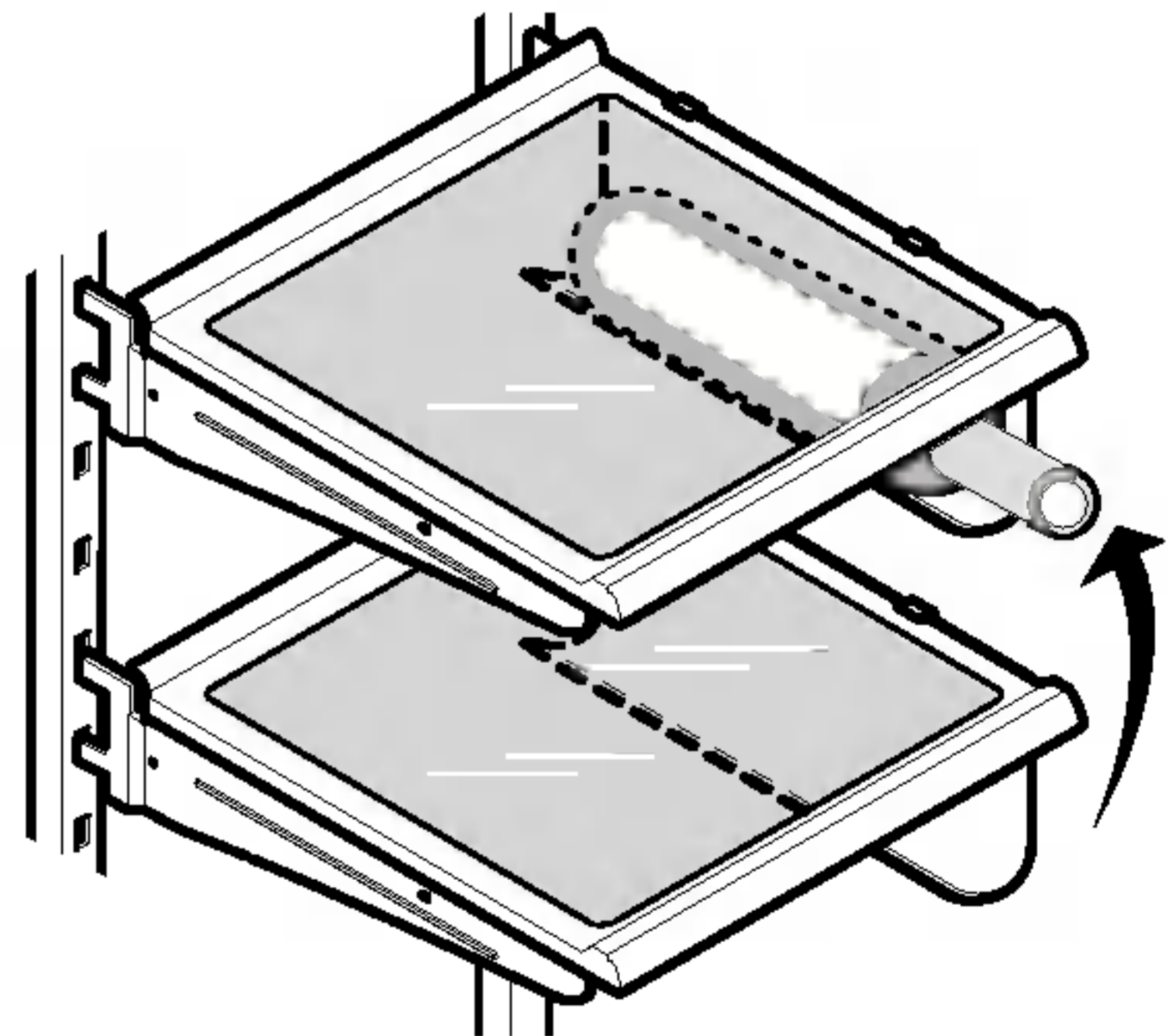
You can slide glass shelves in and out of your refrigerator as follows.

- **To slide the shelf out**, carefully pull front of shelf toward you.
- **To slide shelf in**, push shelf in until it stops.

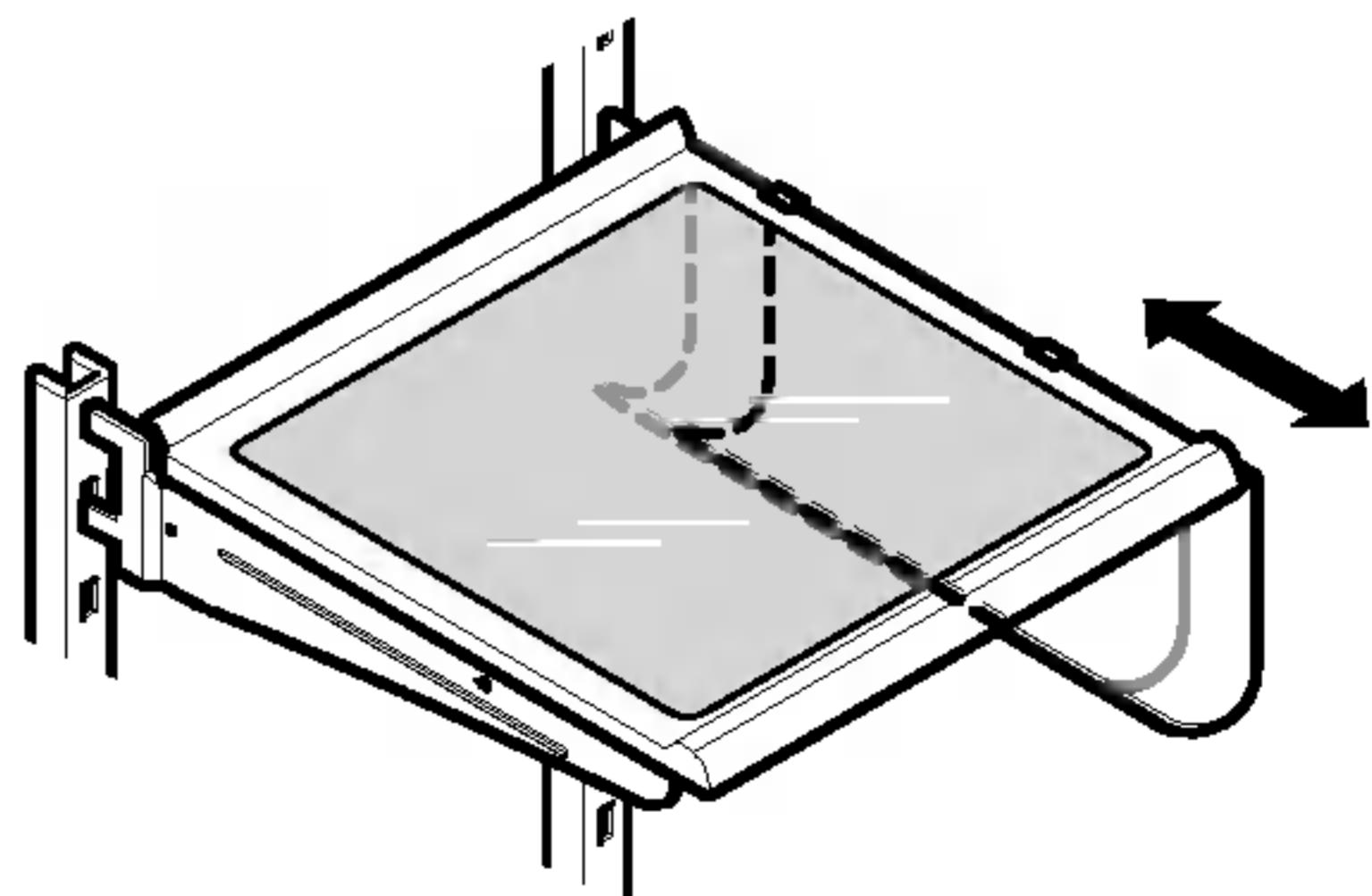


## WINE HOLDER

Bottles can be stored laterally with this wine holder. It can be attached to any shelf.

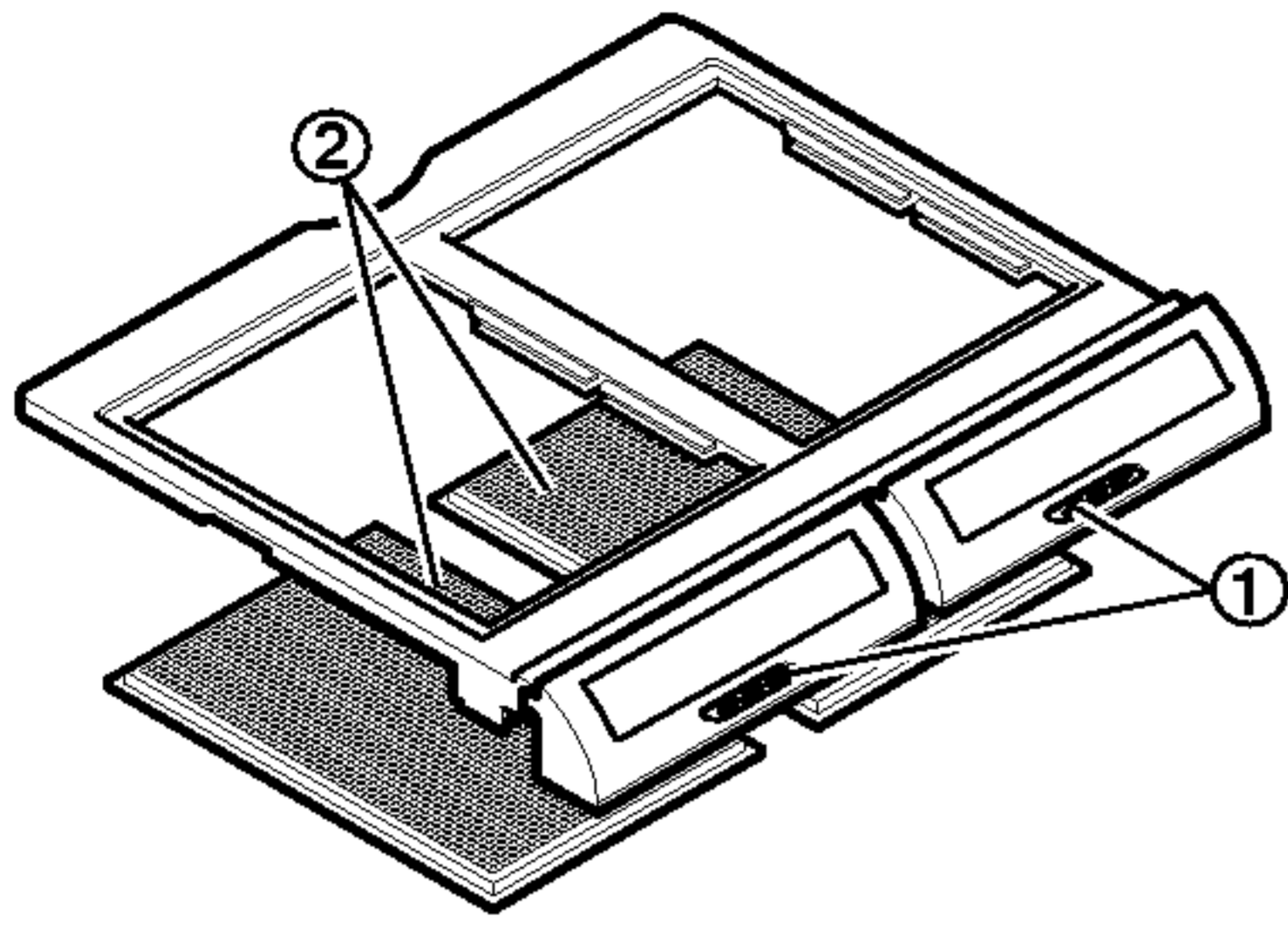


Wine holder can be removed by pulling it straight out and installed by placing it at the end of the shelf you want and pushing it inward.





# USING YOUR REFRIGERATOR



## OPTIBIN CRISPERS

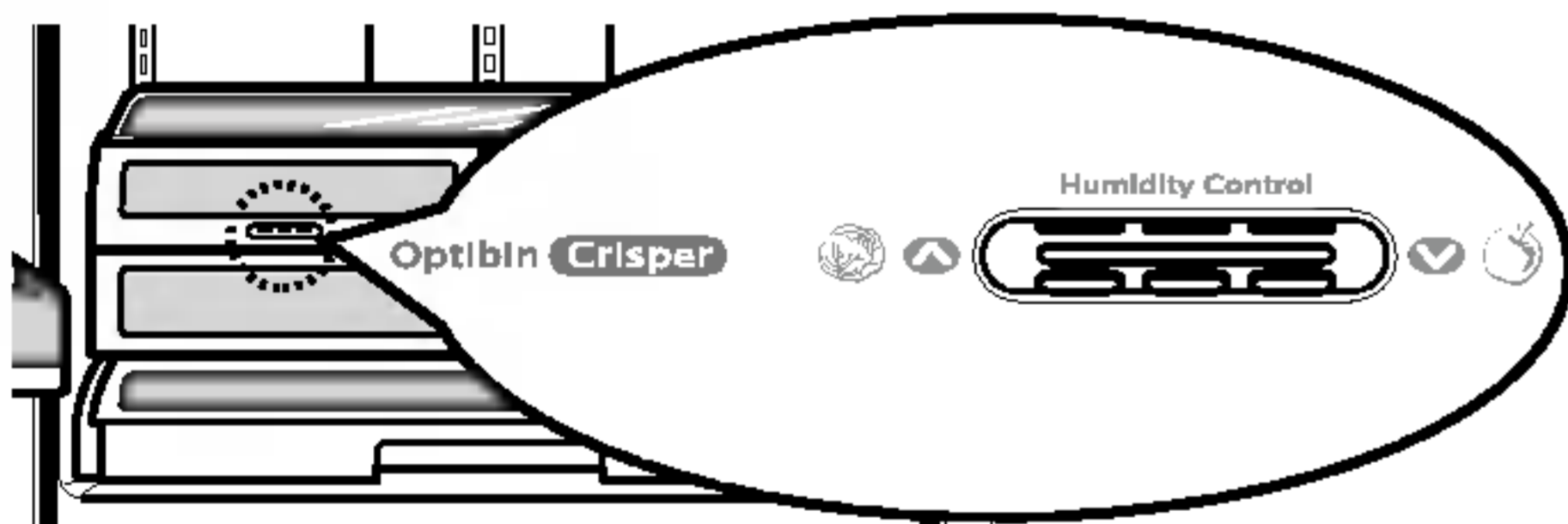


The Optibin Crispers provide fresher-tasting fruit and vegetables by letting you easily control humidity inside the crisper. The Optibin Crispers include: 1) a humidity control knob at the front of the crisper cover and 2) a large lattice on the inner surface of the cover to hold or release moisture.

## CRISPER HUMIDITY CONTROL

You can control the amount of humidity in the moisture-sealed crispers. Store vegetables or fruits requiring more or less humidity in separate crispers. Adjust the control to any setting between  and .

-  lets moist air out of the crisper for best storage of fruits.
-  keeps moist air in the crisper for best storage of fresh, leafy vegetables.

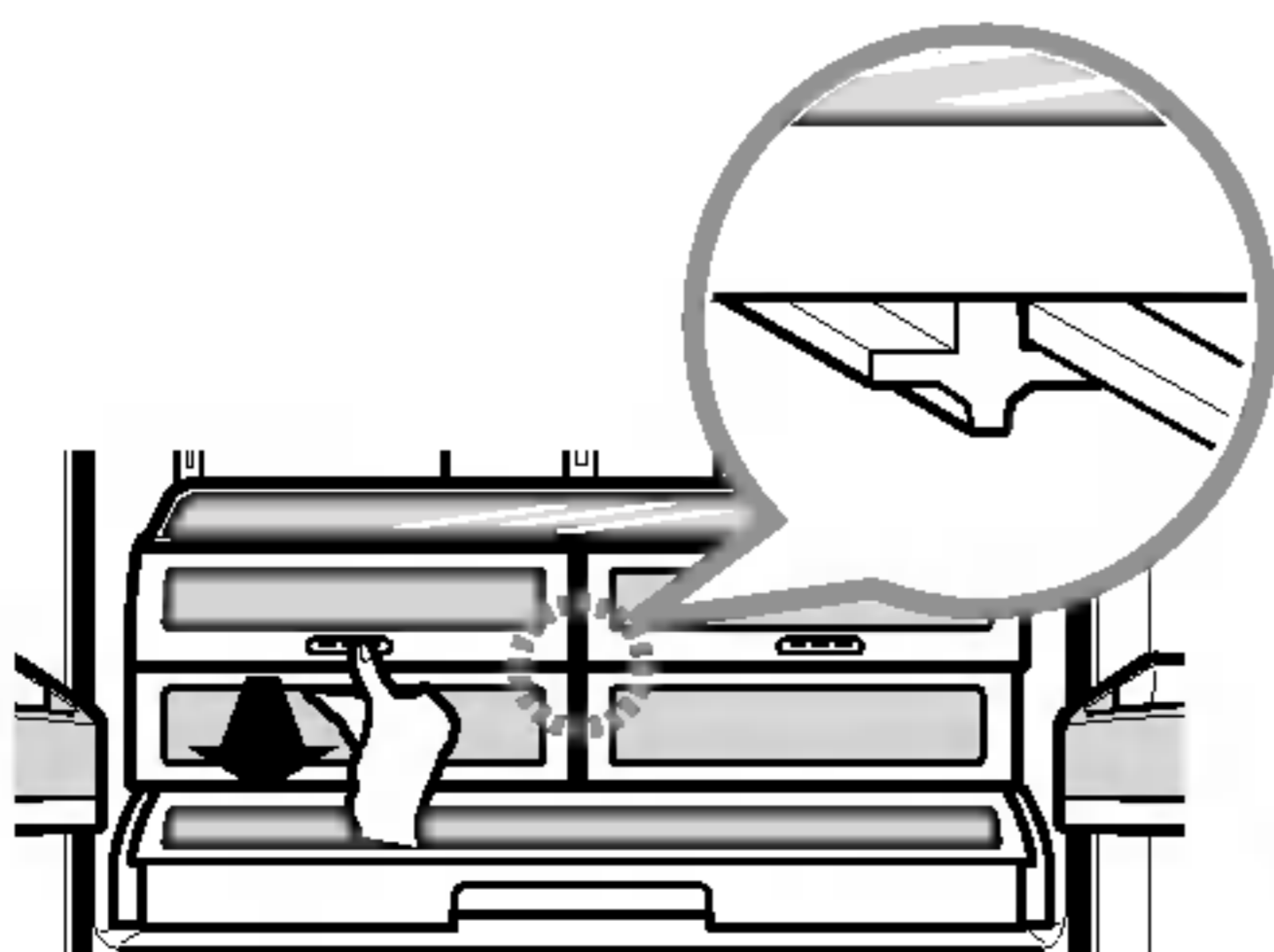


**CAUTION:** The glass shelf over the crisper is not firmly secured. Be careful when tilting.

## REMOVING CRISPER

### ► Crispers without rails

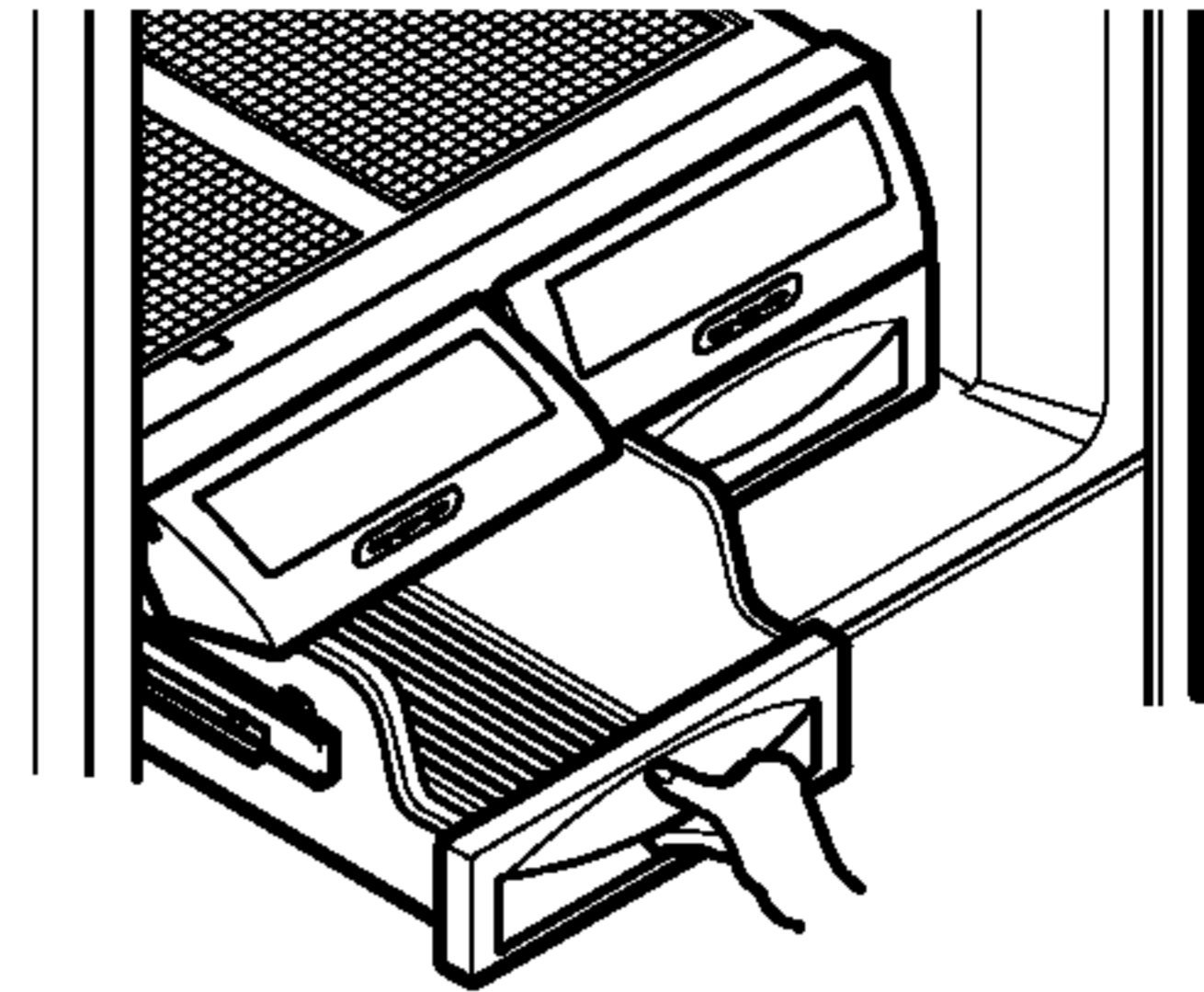
1. To remove, pull drawer out to full extension.
2. Lift the front of the crisper, then pull straight out.
3. To install, slightly tilt up the front and insert drawer into frame and push back into place.



### ► Crispers with rails

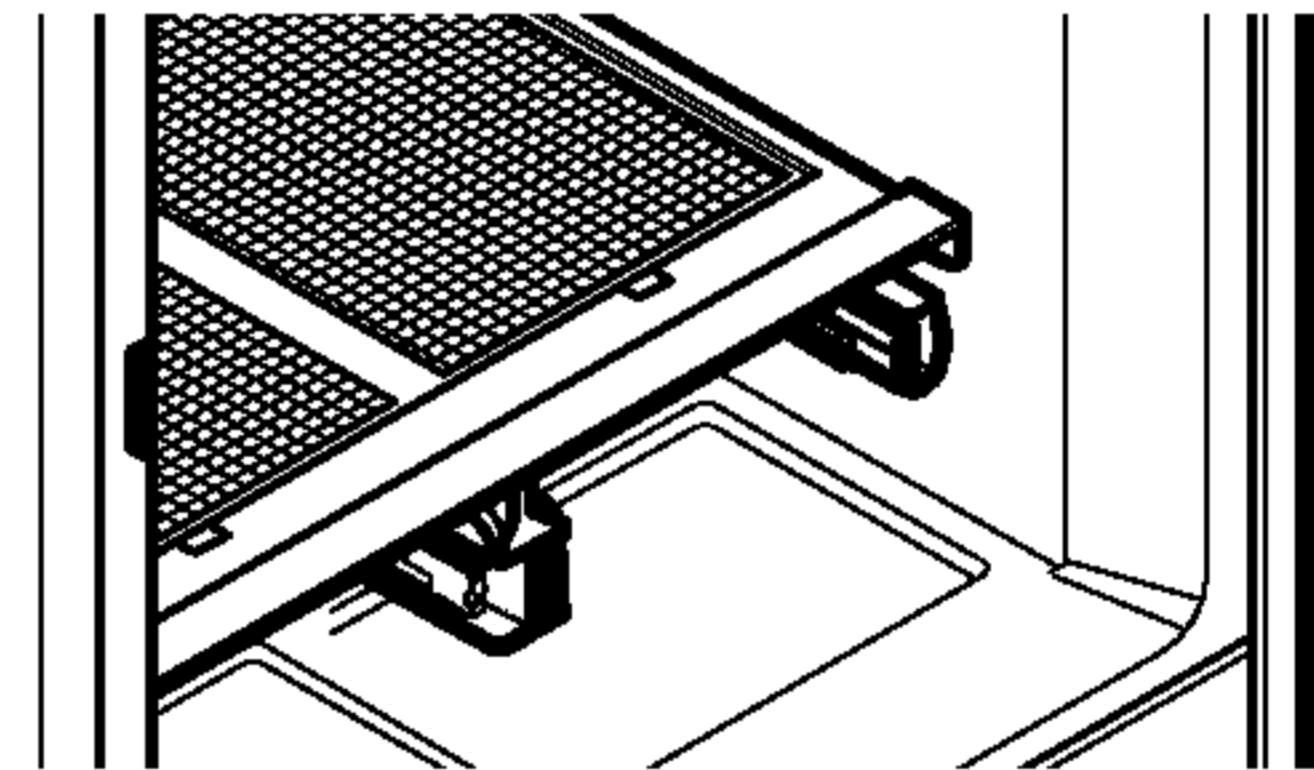
#### To remove crisper:

1. Pull drawer out to full extension.
2. Lift the front of basket up and pull straight out.

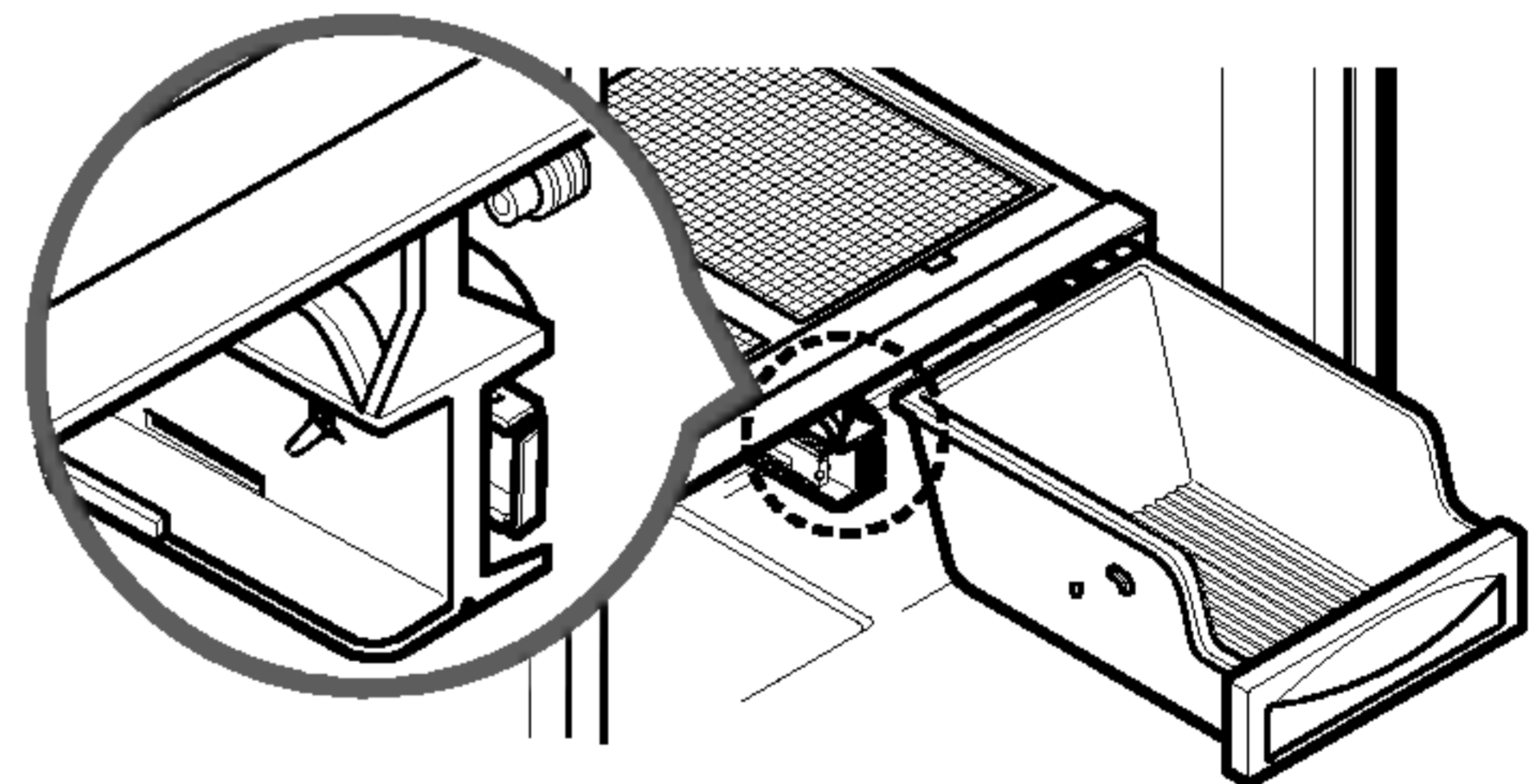


#### To replace crisper:

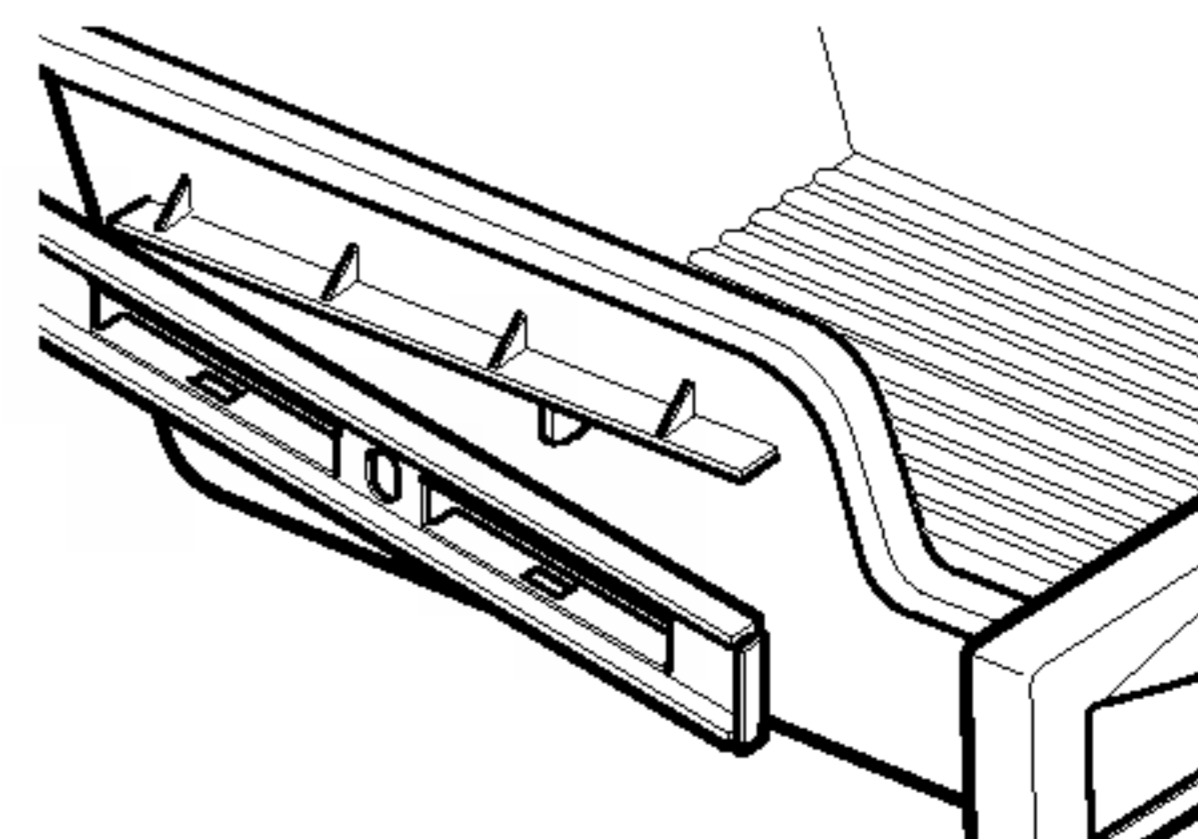
1. Push rails to the back of the compartment.



2. Insert the back corner of the basket into frame.



3. Slightly tilt up the front and push back until it snaps into place.

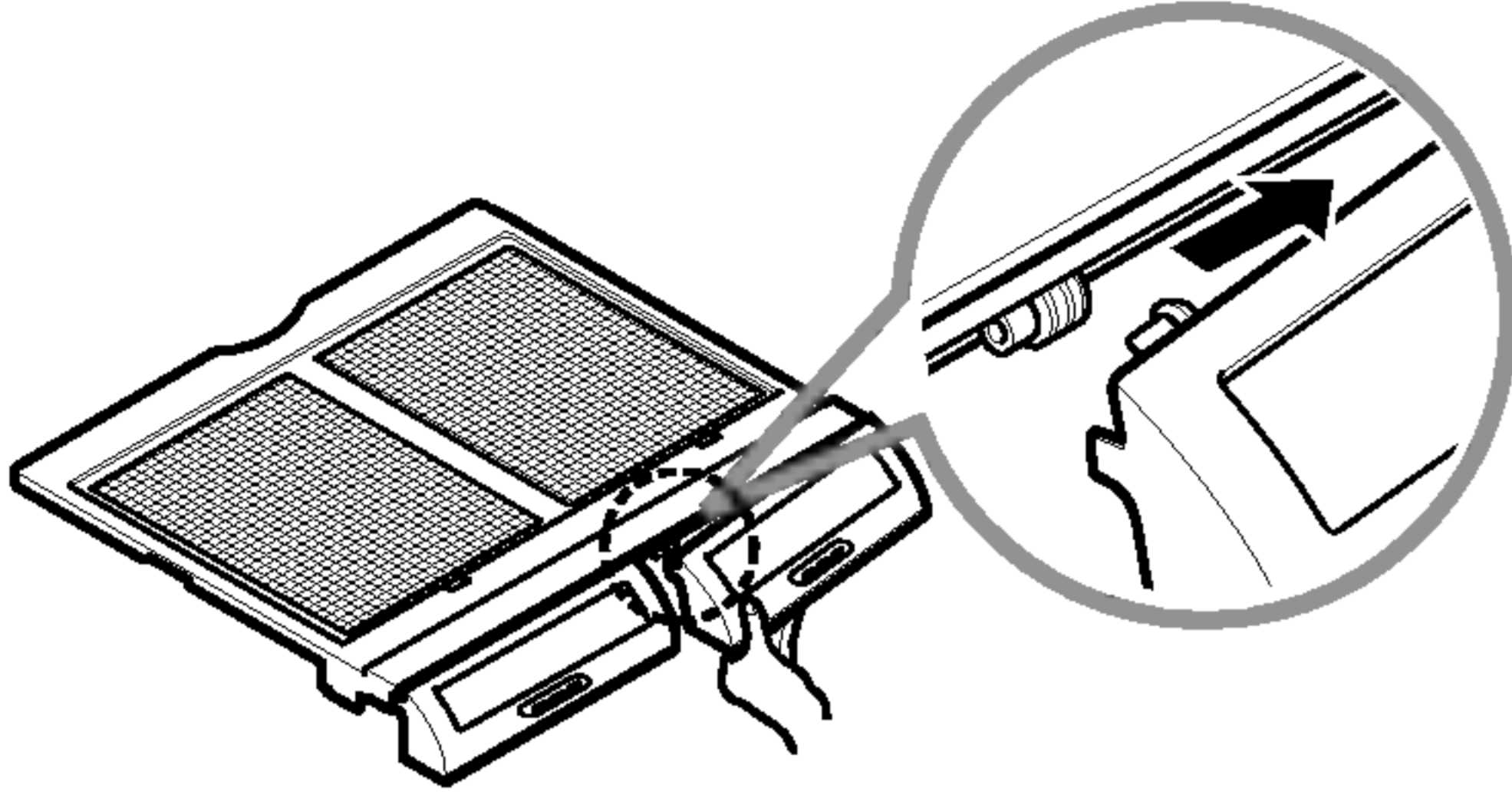




## USING YOUR REFRIGERATOR

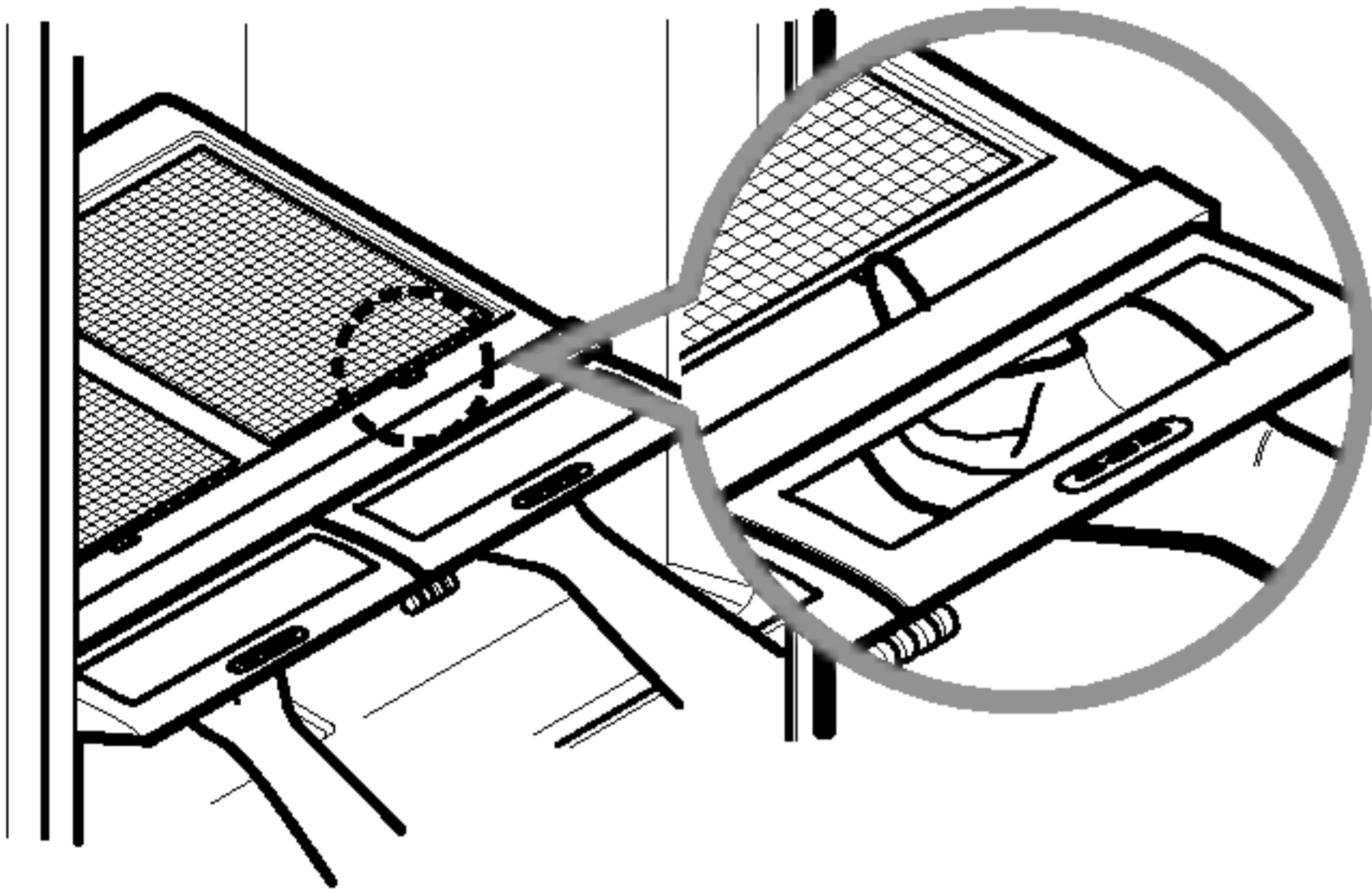
### To remove crisper door flap:

1. Raise the door flap as high as it will open.
2. Press the plastic hinge toward the center of the door flap with your finger.
3. Lift the door out of its place.
4. To replace, reverse above procedure.



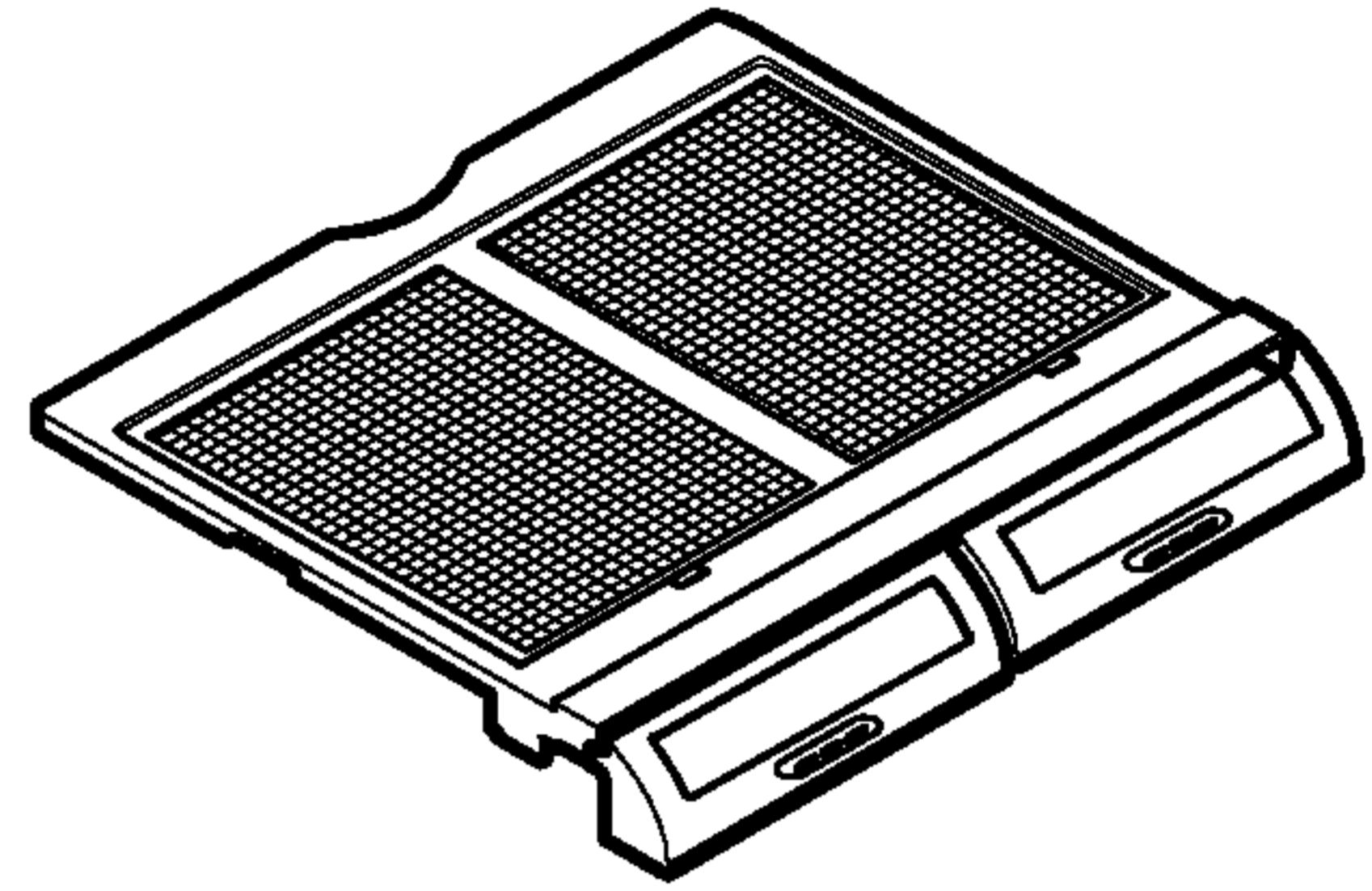
### To remove the glass:

1. Lift up the glass after inserting a finger into a hole under the crisper cover.
2. Pull the glass up and out.

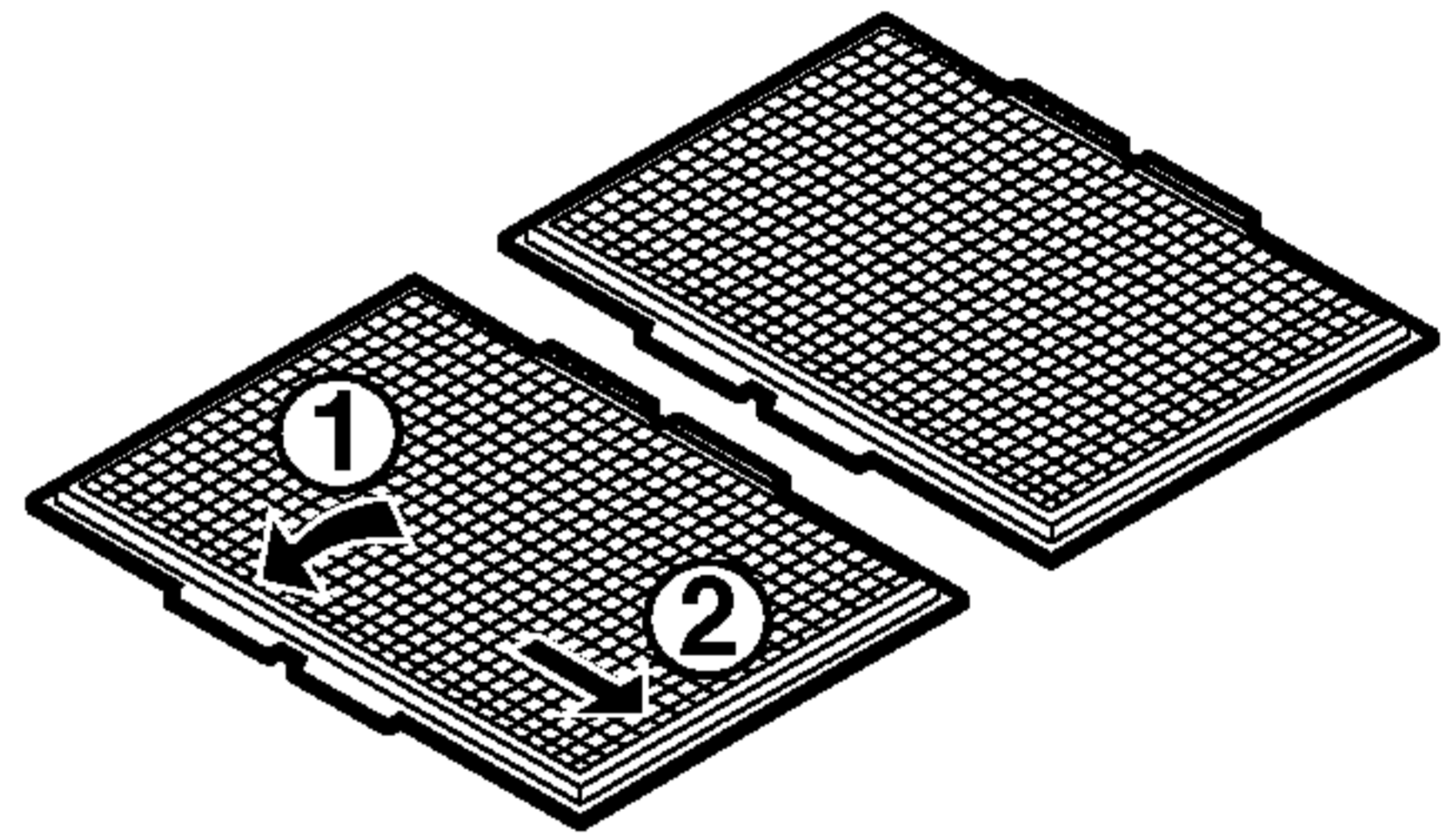


### CRISPER COVER WITH LATTICE ON INNER SURFACE

#### To remove the lattice on inner surface:

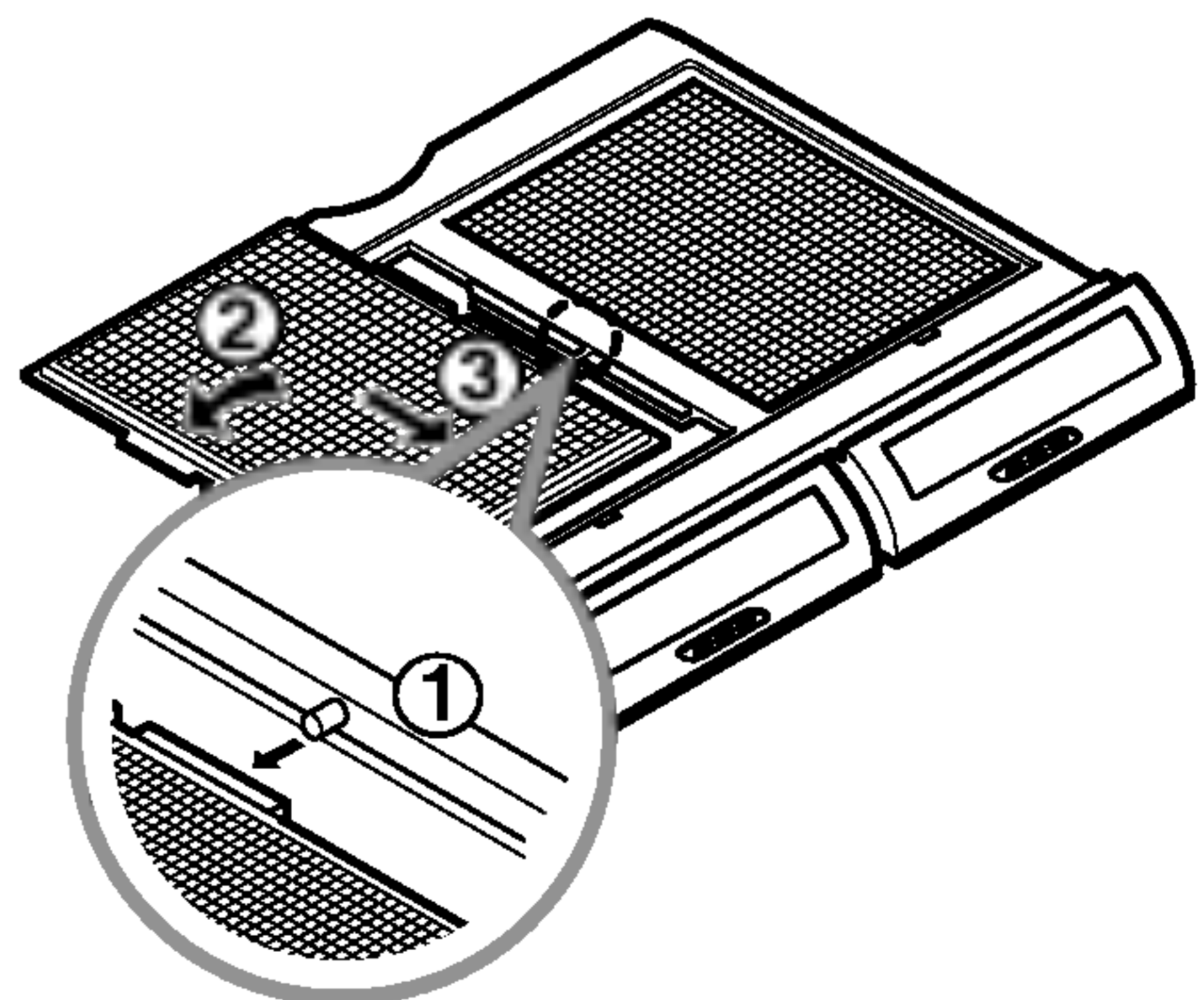


1. Remove crisper cover (as illustrated above).
2. Hold the glass cover and turn the crisper cover over.
3. For each lattice hold lattice and pull sides of the cover outward to remove lattice.



#### To replace lattice on inner surface:

1. For each lattice insert middle tab in 1 (closed to glass cover) and pull sides of the cover to insert lattice.

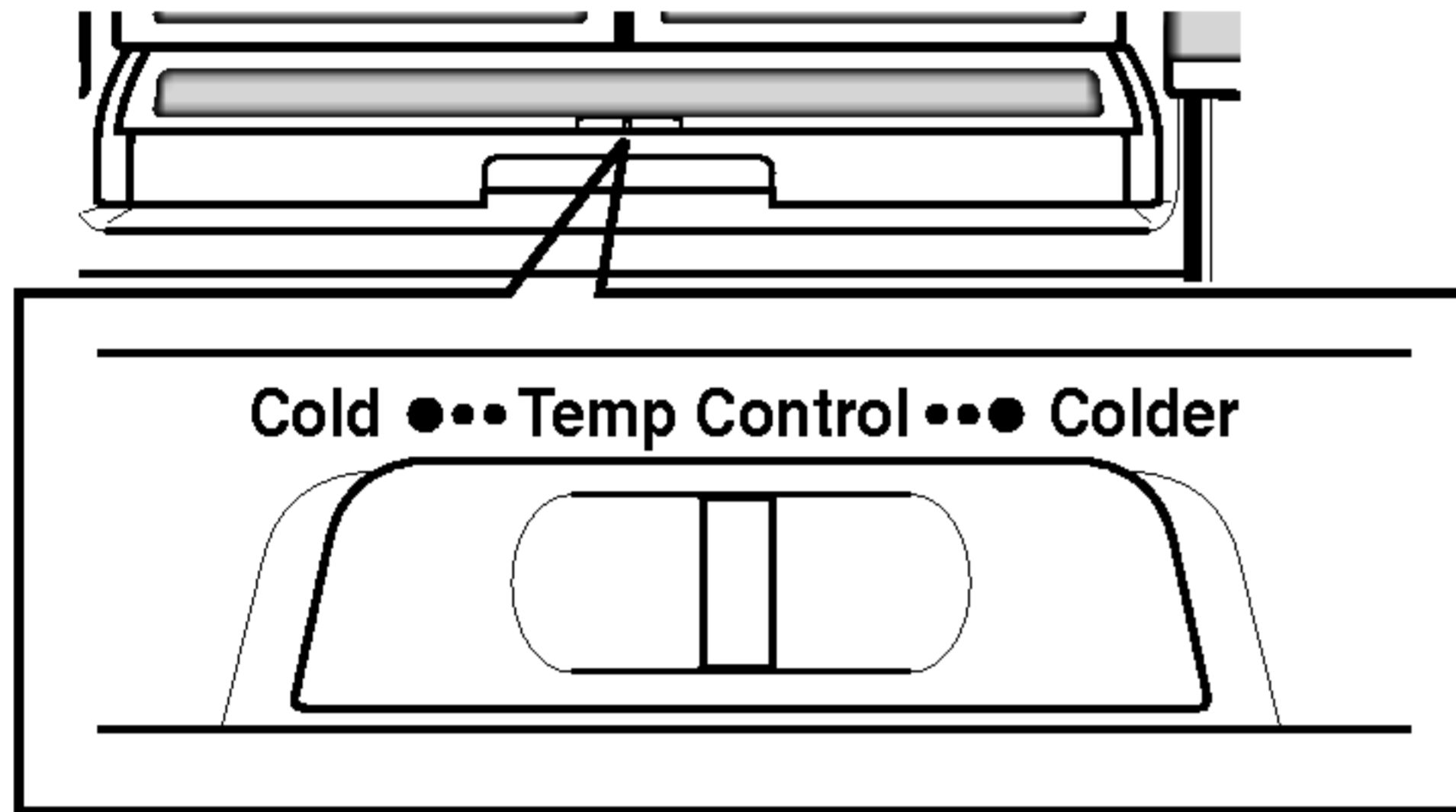


# USING YOUR REFRIGERATOR

## GLIDE N SERVE

The Glide N Serve provides storage space with a variable temperature control that keeps the compartment colder than refrigerator temperature. The drawer also features a self-opening lid that opens whenever the drawer is pulled open.

This drawer can be used for large party trays, deli items, or beverages.



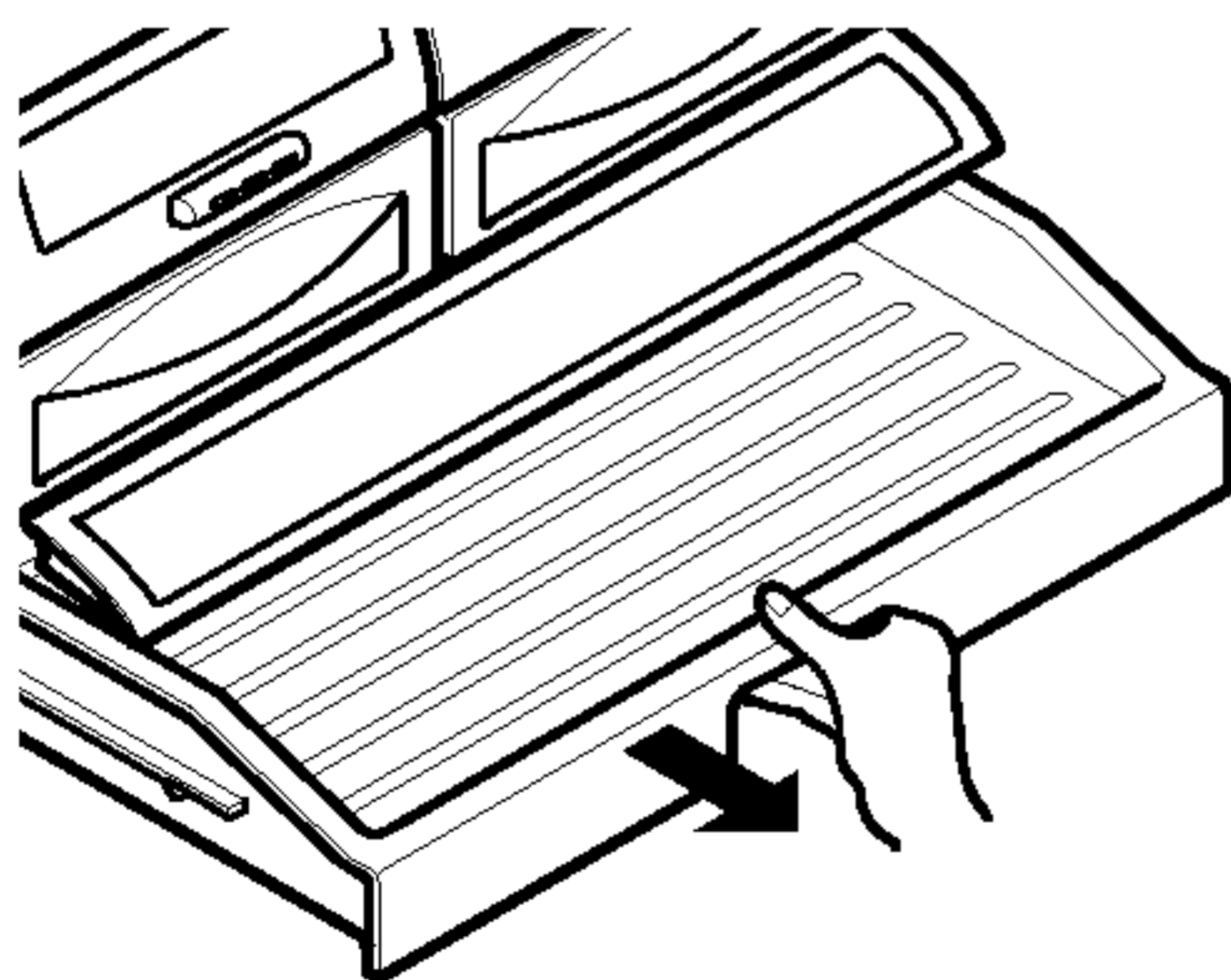
### Controls

The control regulates the air temperature in the drawer. Set control level to cold to provide normal refrigerator temperature. Use the colder setting for meats or other deli items.

**NOTE:** Cold air directed to the Glide N Serve can decrease refrigerator temperature. Refrigerator control may need to be adjusted.

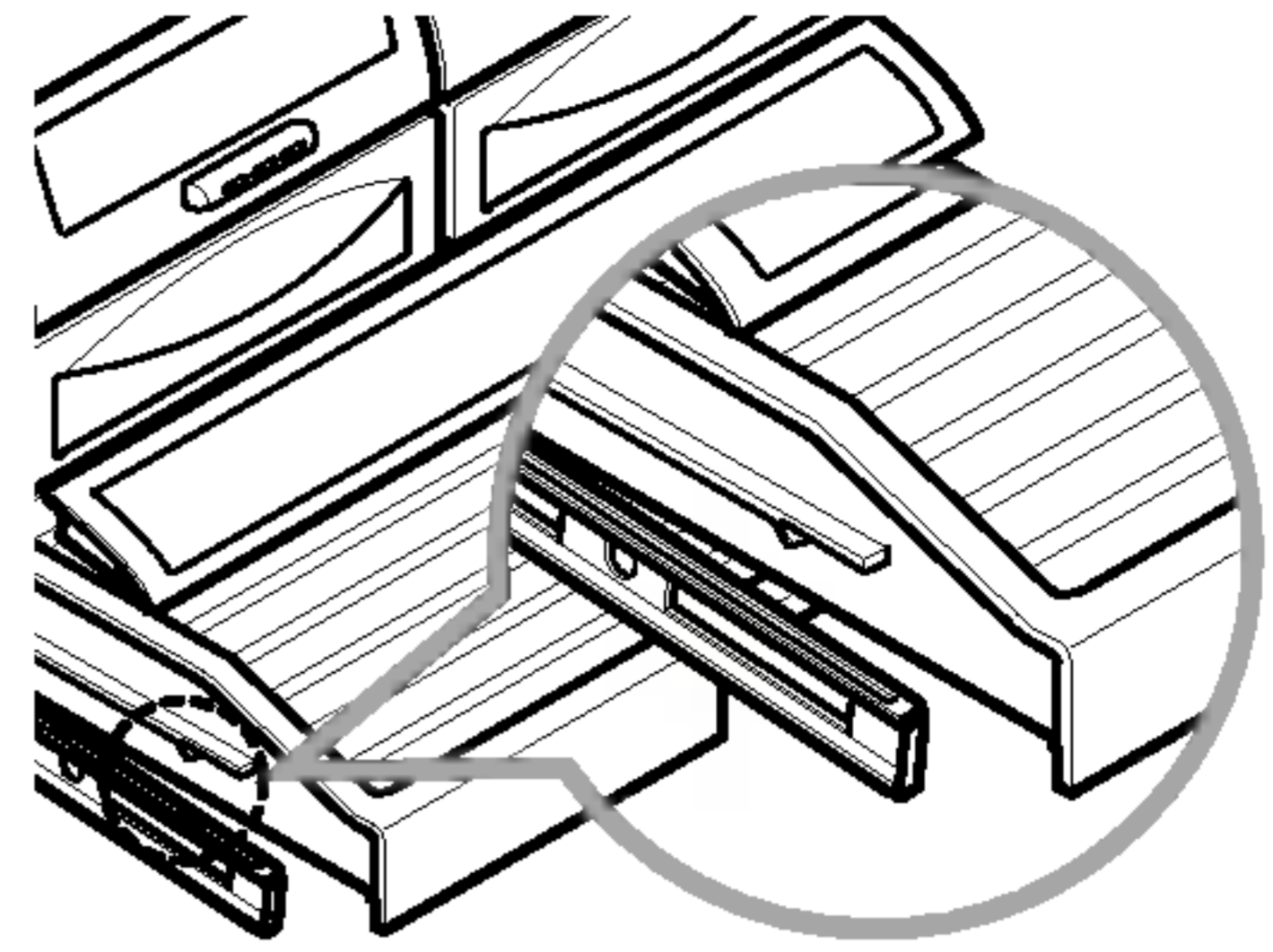
### To remove Glide N Serve:

Tilt up the front on it's closed position and pull straight out.



### To replace Glide N Serve:

1. Push metal rails to the back of the refrigerator.
2. Place drawer onto rails and slide drawer back until it falls into place.



**NOTE:** DO NOT store lettuce or other leafy produce in this drawer.

### COLD

- cauliflower
- cucumbers
- zucchinis
- apples
- corn
- oranges
- grapes

### COLDER

- steaks
- hard cheeses
- cold cuts
- bacon
- hot dogs

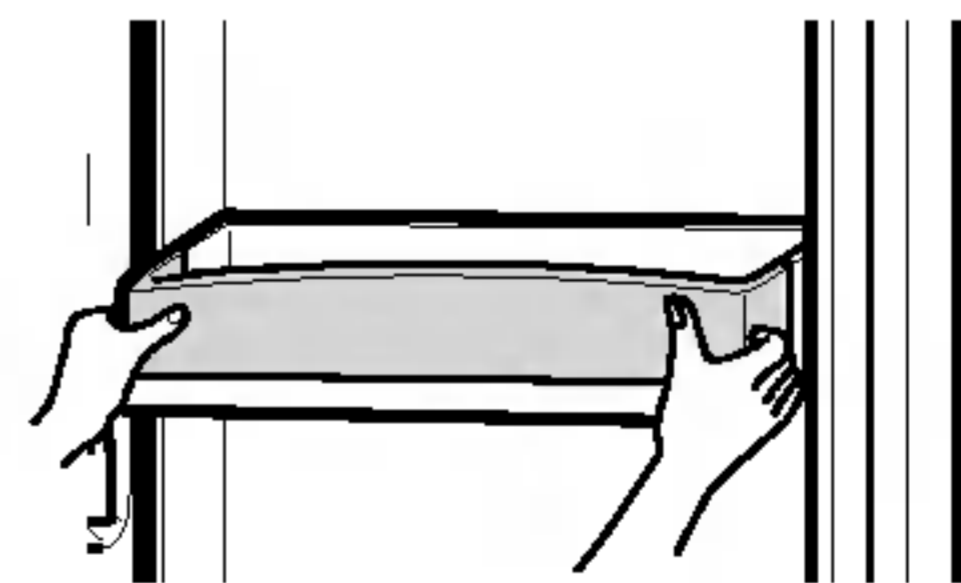
**▲ WARNING:** Fruits and vegetables may be damaged at the coldest setting.

**▲ CAUTION:** DO NOT store bottles. If they are frozen, they can be broken and cause personal injury.

## DESIGN-A-DOOR

The door bins are removable for easy cleaning and adjusting.

1. To remove the bin, simply lift the bin up and pull straight out.
2. To replace the bin, slide it in above the desired support button and push down until it stops.



**▲ WARNING:** Somebody can be hurt if door bins are not firmly assembled.

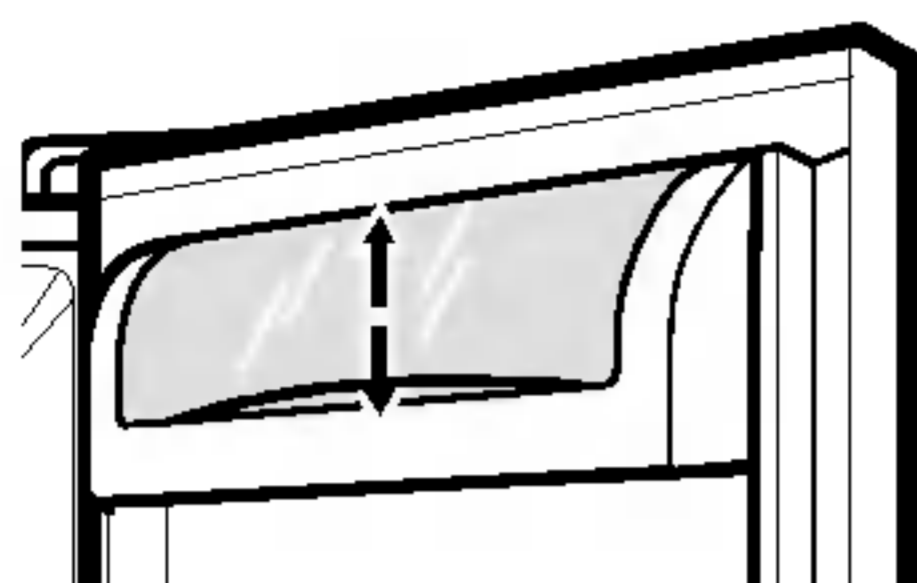
**▲ NOTE:** DO NOT adjust a bin that is loaded with food.

**▲ CAUTION:** DO NOT allow children to play with baskets. Sharp corners on baskets could cause injury.

# USING YOUR REFRIGERATOR

## DAIRY BIN

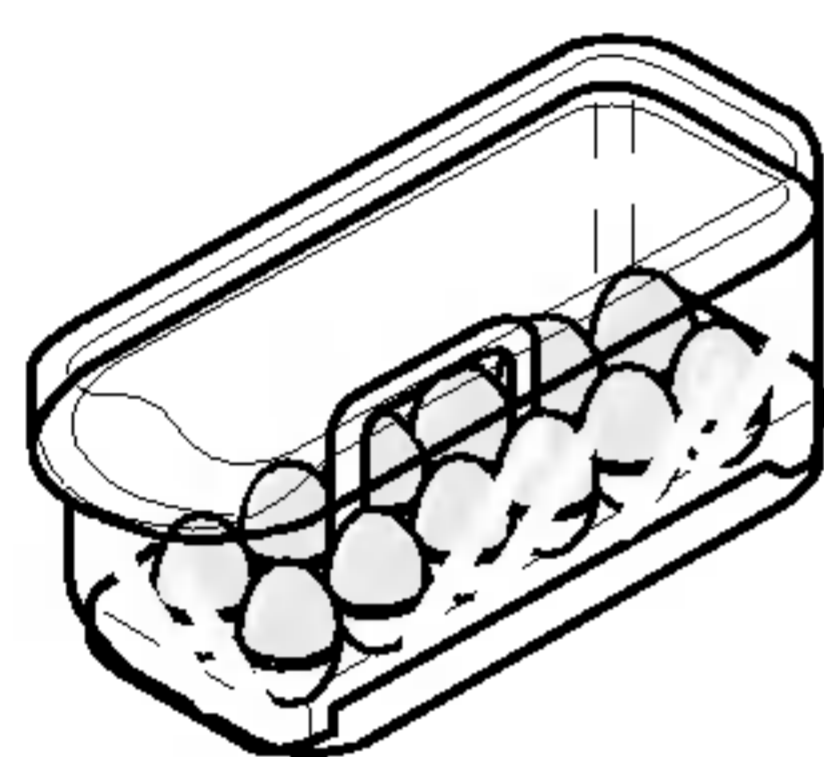
1. To remove the dairy bin, simply lift it and pull straight out.
2. To replace the dairy bin, slide it in above the desired location and push down until it stops.



## EGG BOX

Store Egg Box on interior shelf, not on door shelf.

**▲ CAUTION:** Do not use the egg box as an ice storage bin in the freezer compartment. The egg box can easily break if it freezes.



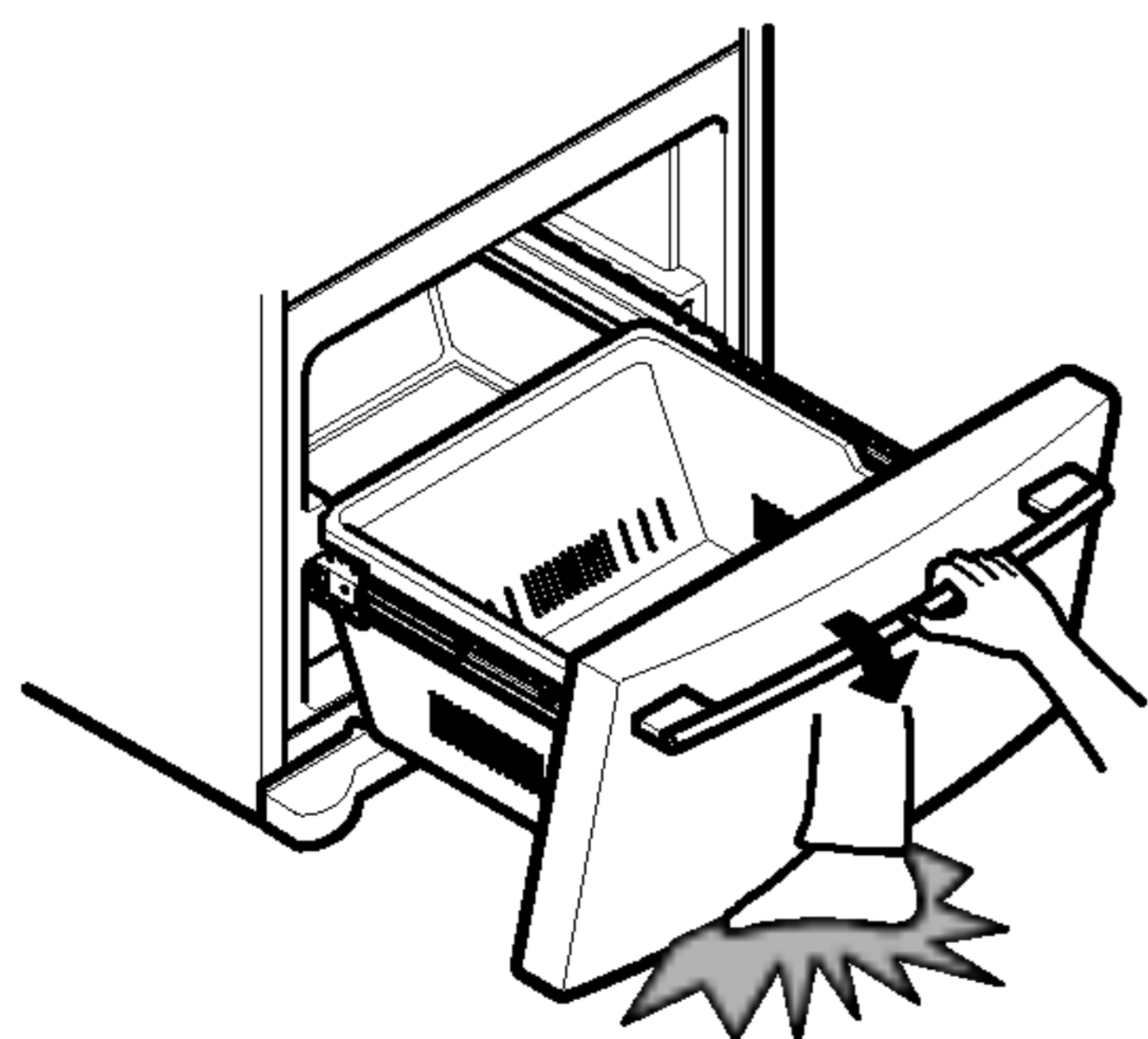
## FREEZER SECTION

### TILTING DOOR

The tilting door provides easy access for stored foods.

#### How to use:

Tilt the door down and pull it out.

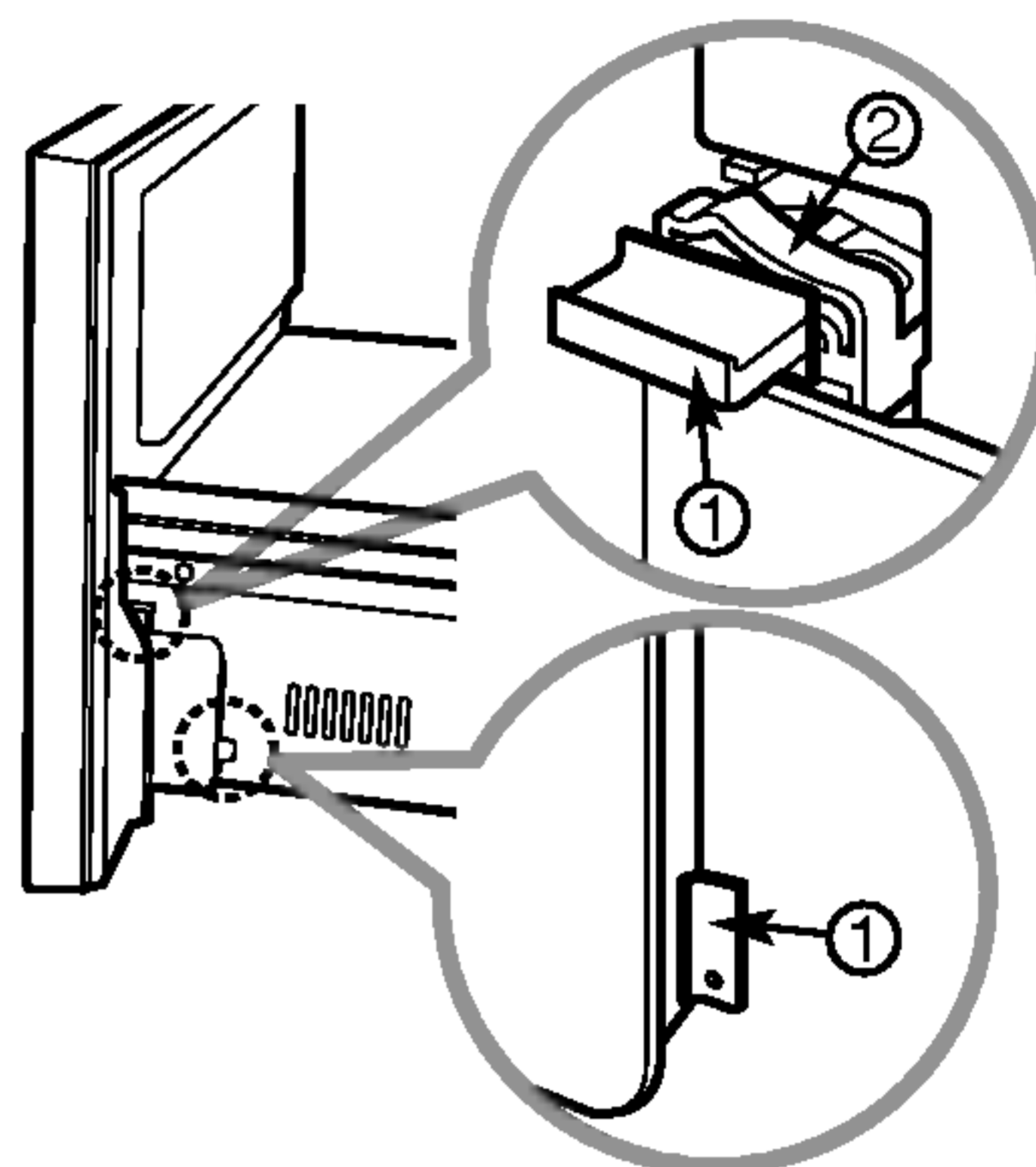


**▲ WARNING:** Be careful when you open tilting door so that you do not injure your foot!

### How to lock the tilting function of freezer door:

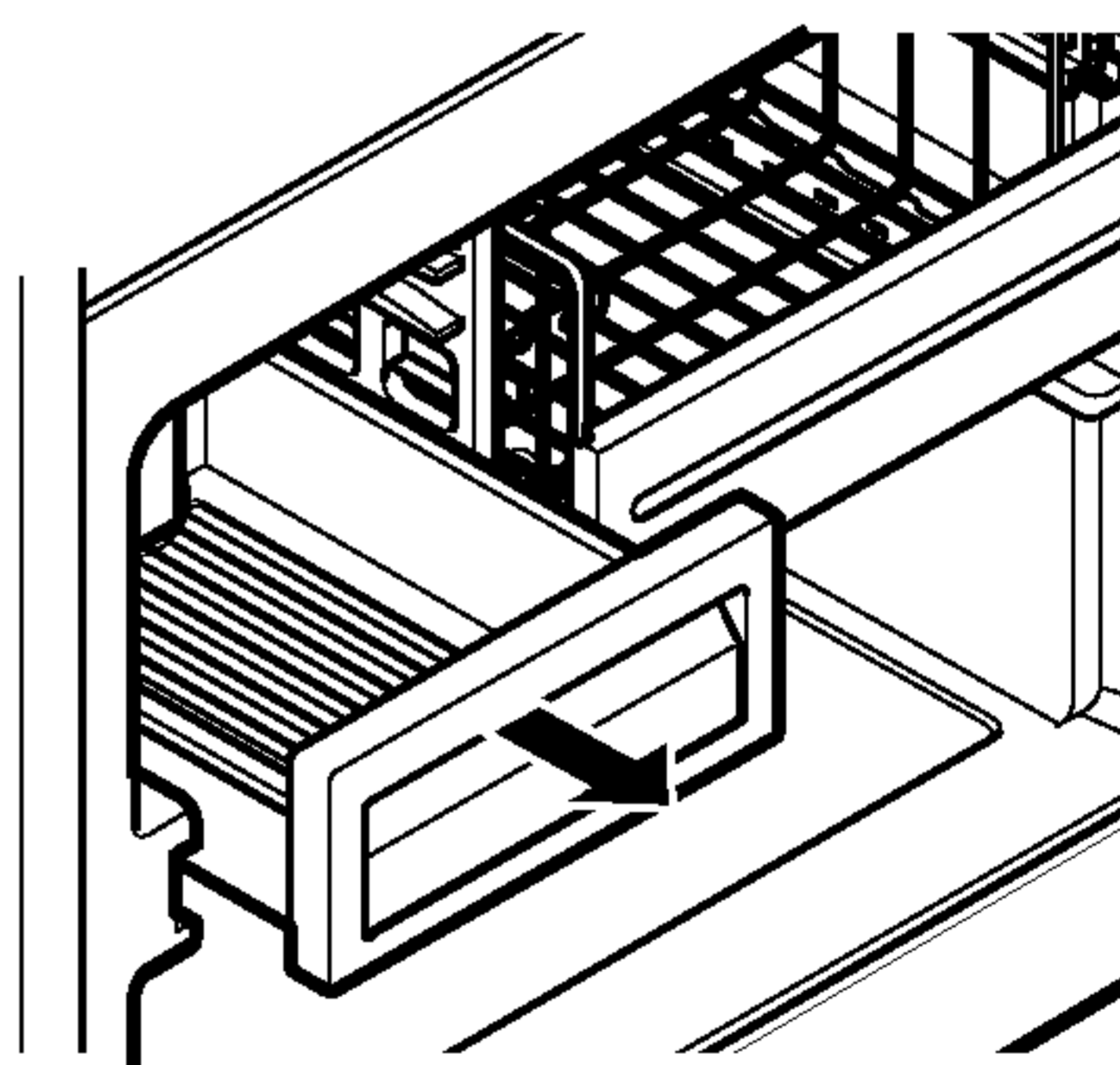
1. Open the freezer door and remove (1).
2. Insert part (1) into (2).

NOTE: If you lock the tilting function when the door is tilted, you cannot close it.



### ICE BIN

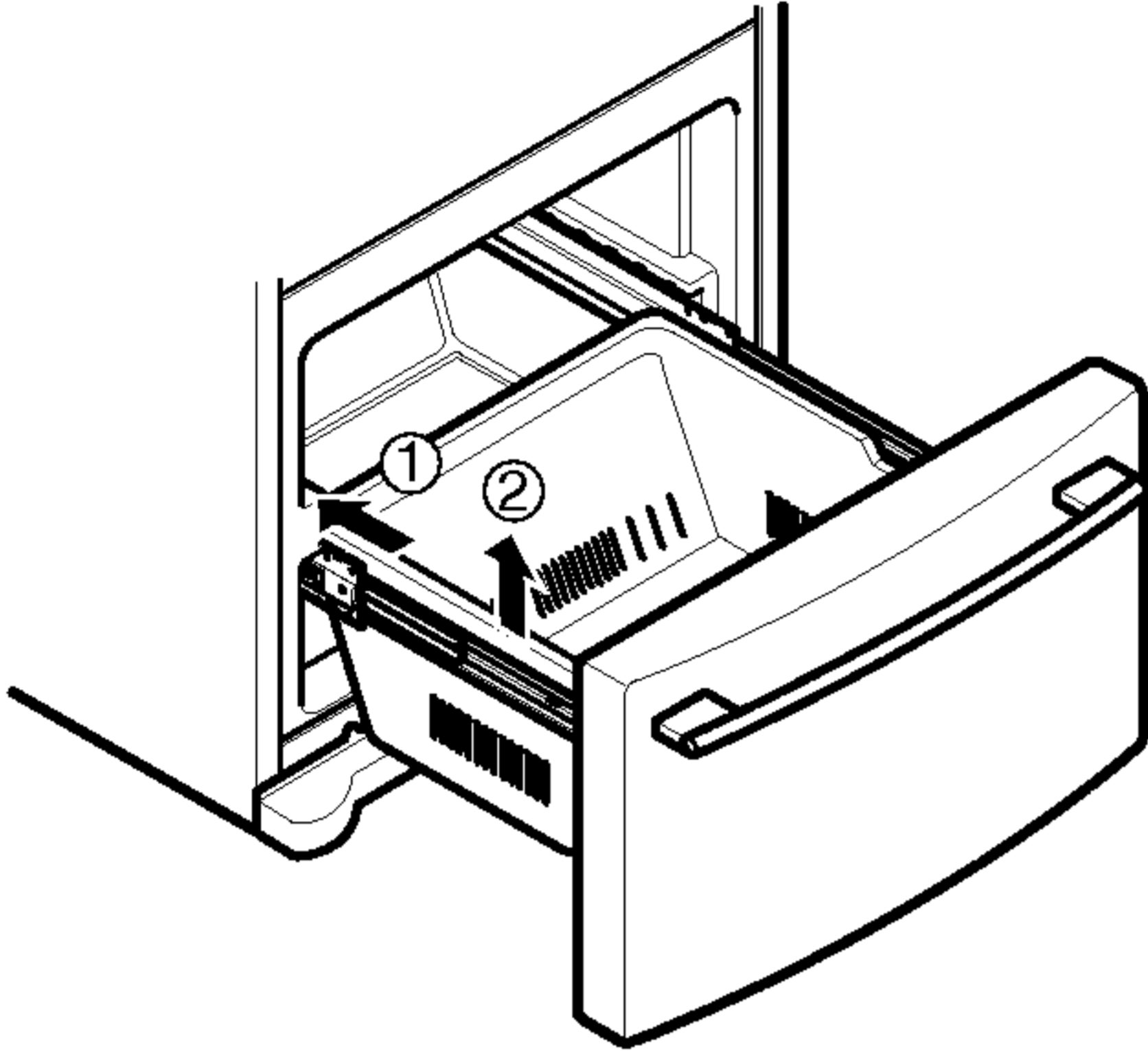
1. To remove ice bin, pull it out as far as it comes. Tilt up the front of the ice bin and pull straight out.
2. To install, insert ice bin into frame rails and push back into place.



# USING YOUR REFRIGERATOR

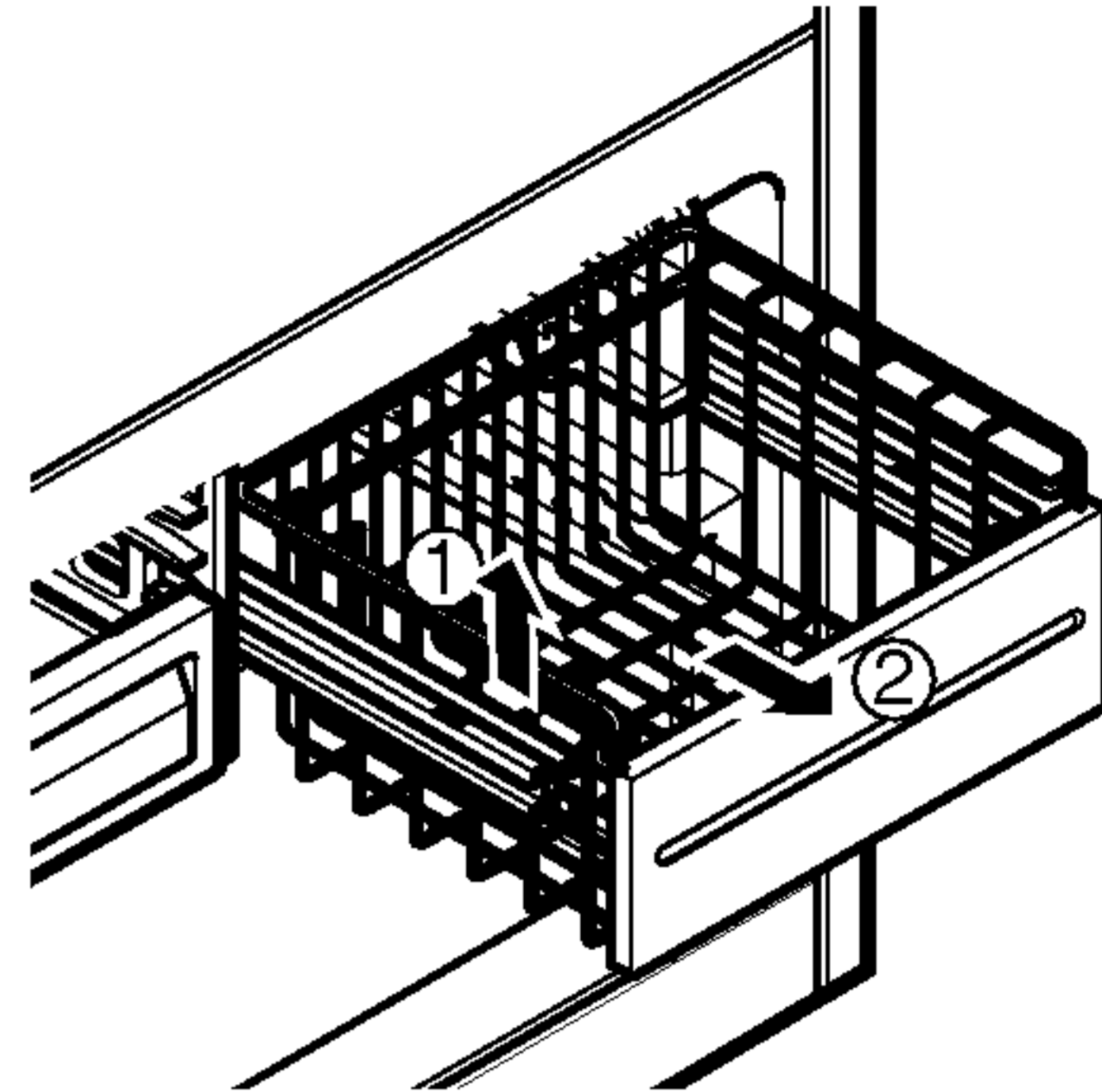
## DURABASE

1. To remove the Durabase, push it back to the end as much as possible. Tilt up the front of the Durabase and pull straight out.
2. To install, insert the Durabase in rail assembly.

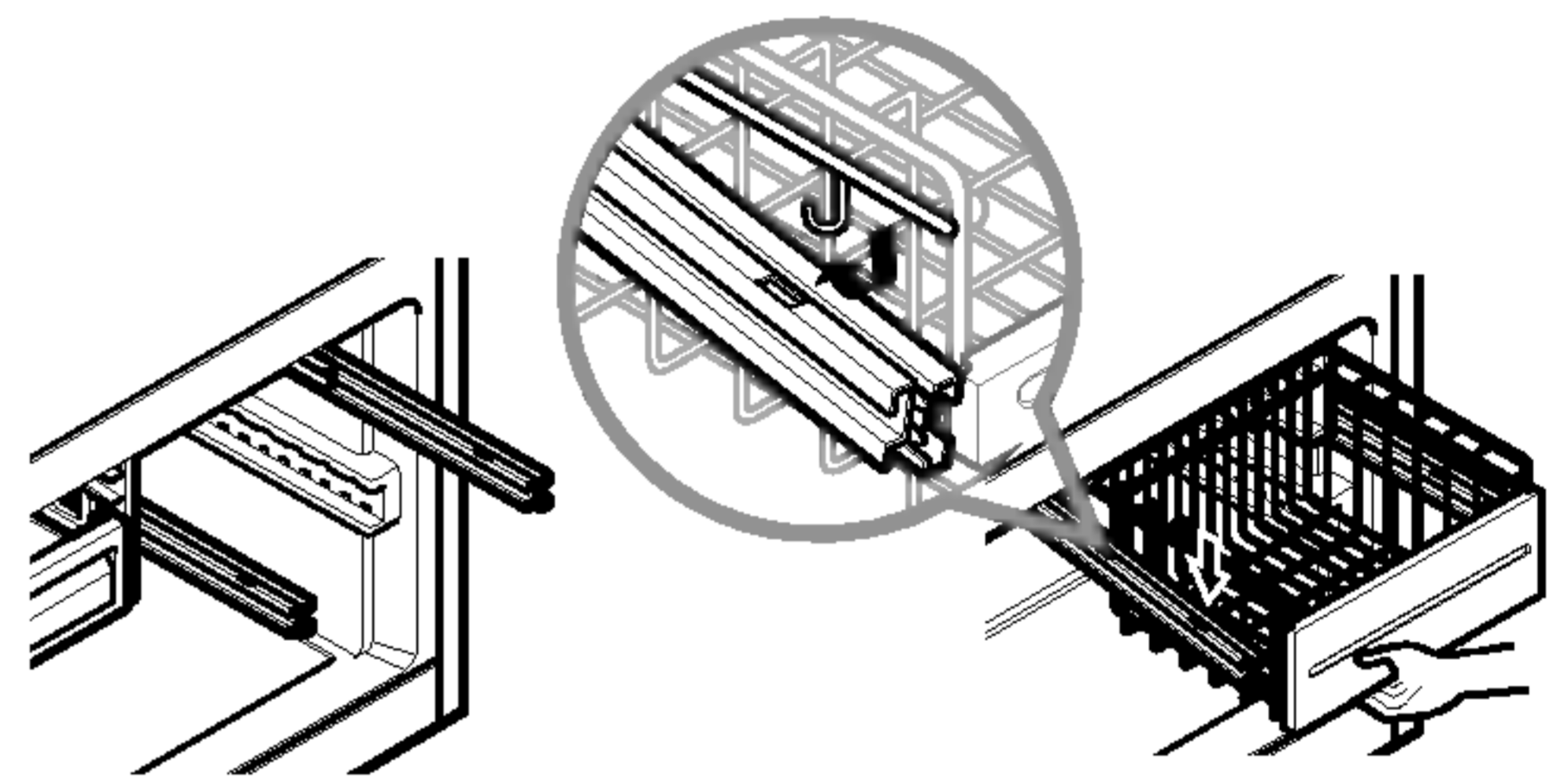


## PULL OUT DRAWER

1. To remove, lift basket up and pull straight out.

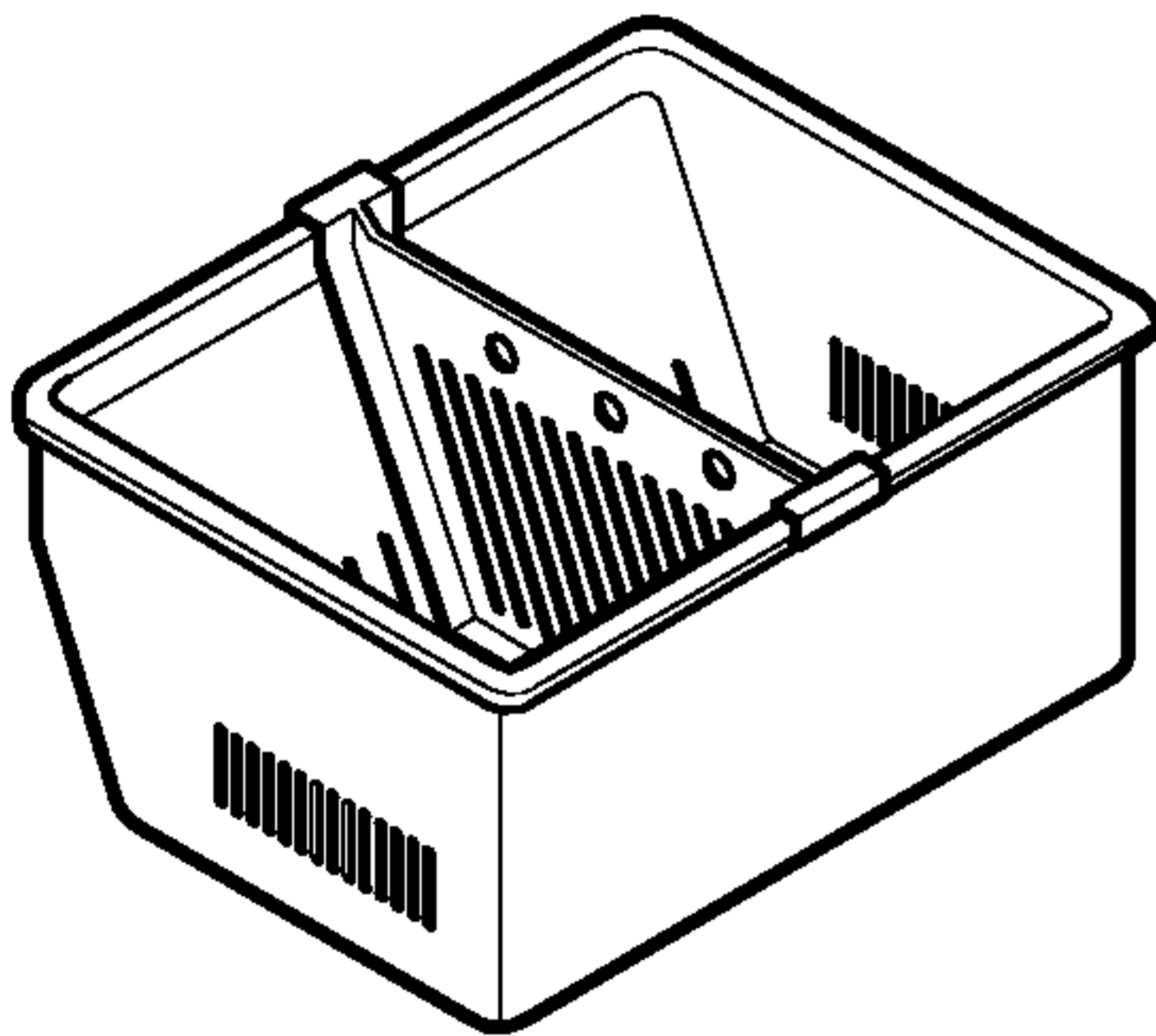


2. To Install, pull both rails out to full extension. Hook the basket supports into the rail tabs and push to the back of compartment.



## DURABASE DIVIDER

The Durabase divider allows you to organize the Durabase area into sections.



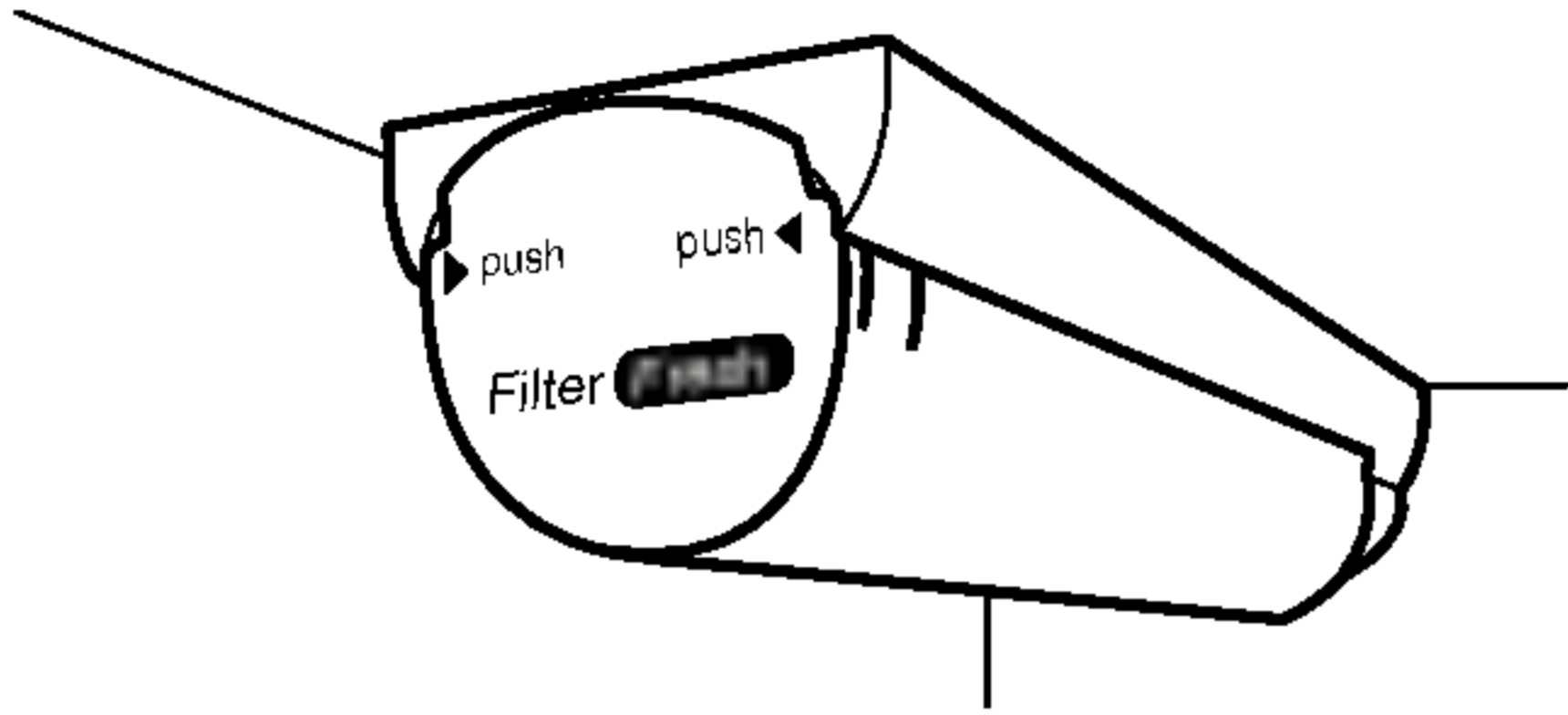
1. To remove, pull divider straight up.
2. To install, hook top corners of divider over top edge of durabase.

**⚠ WARNING:** When the guide of the freezer drawer is removed, children may crawl inside.

# USING YOUR REFRIGERATOR

## WATER FILTER

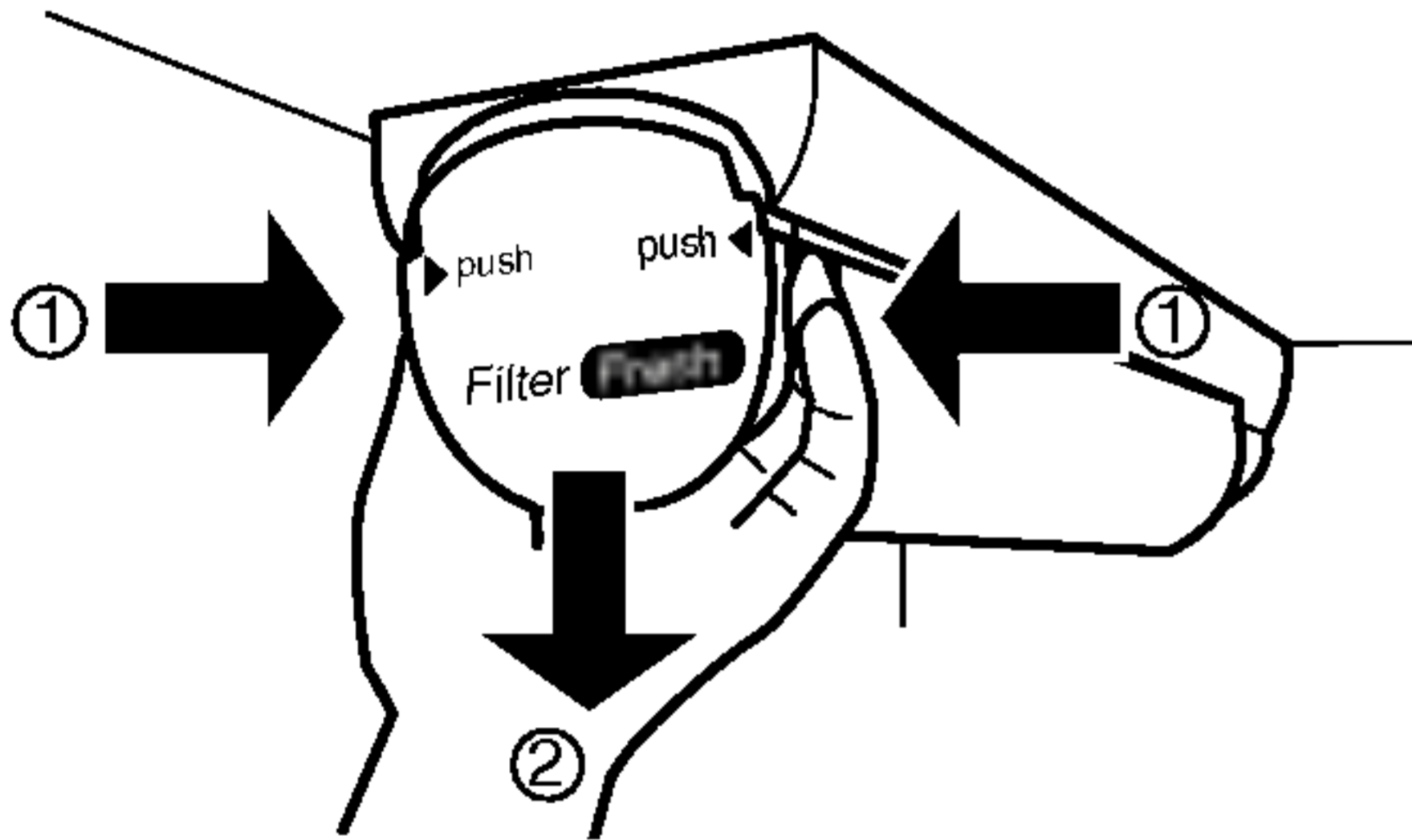
It is recommended that you replace the filter when the water filter indicator light turns on or your water dispenser or ice maker performance decreases noticeably.



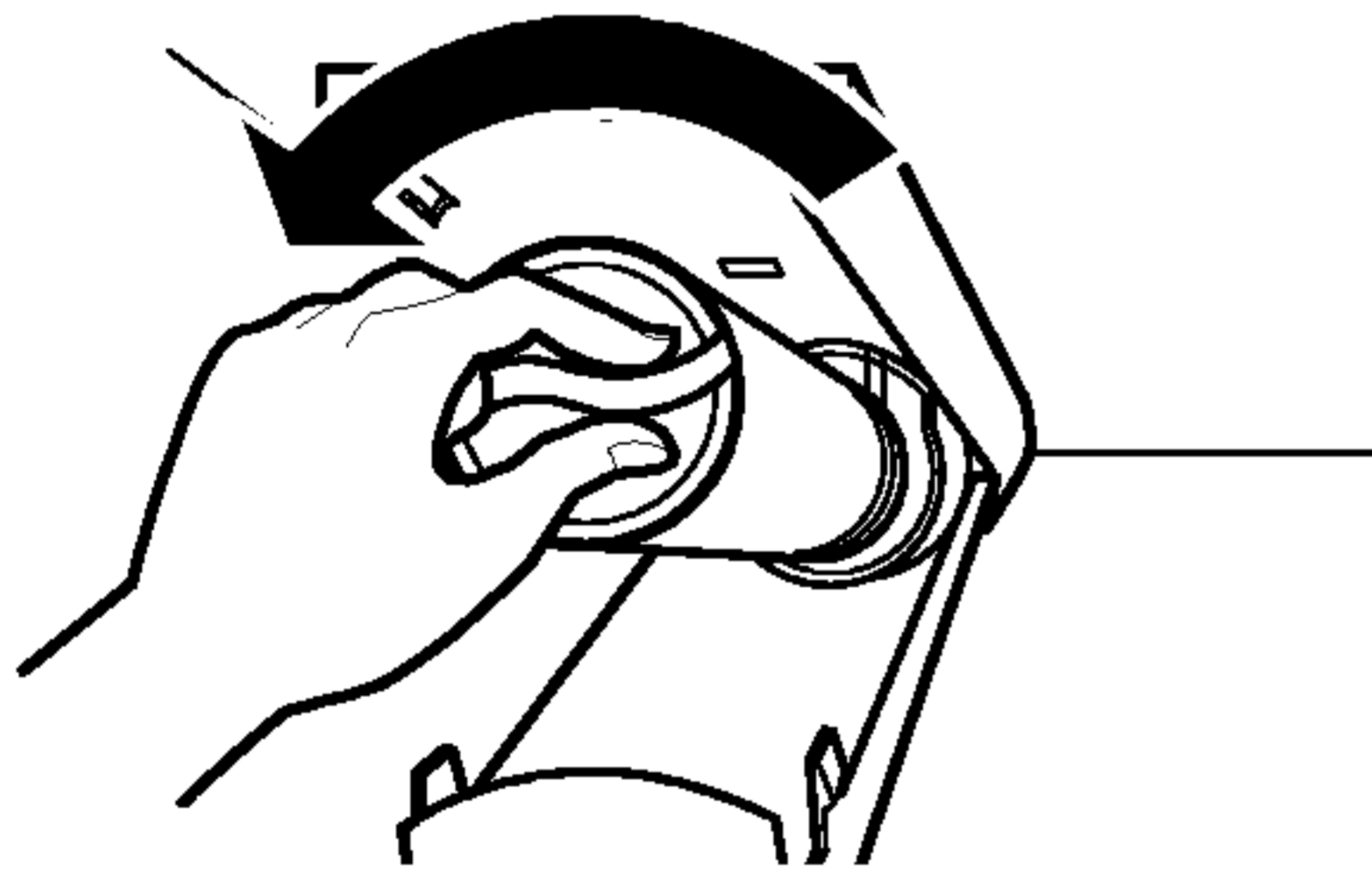
After changing the water filter cartridge, reset the water filter status display and indicator light by pressing and holding the button for 3 seconds.

### 1. Remove the old cartridge.

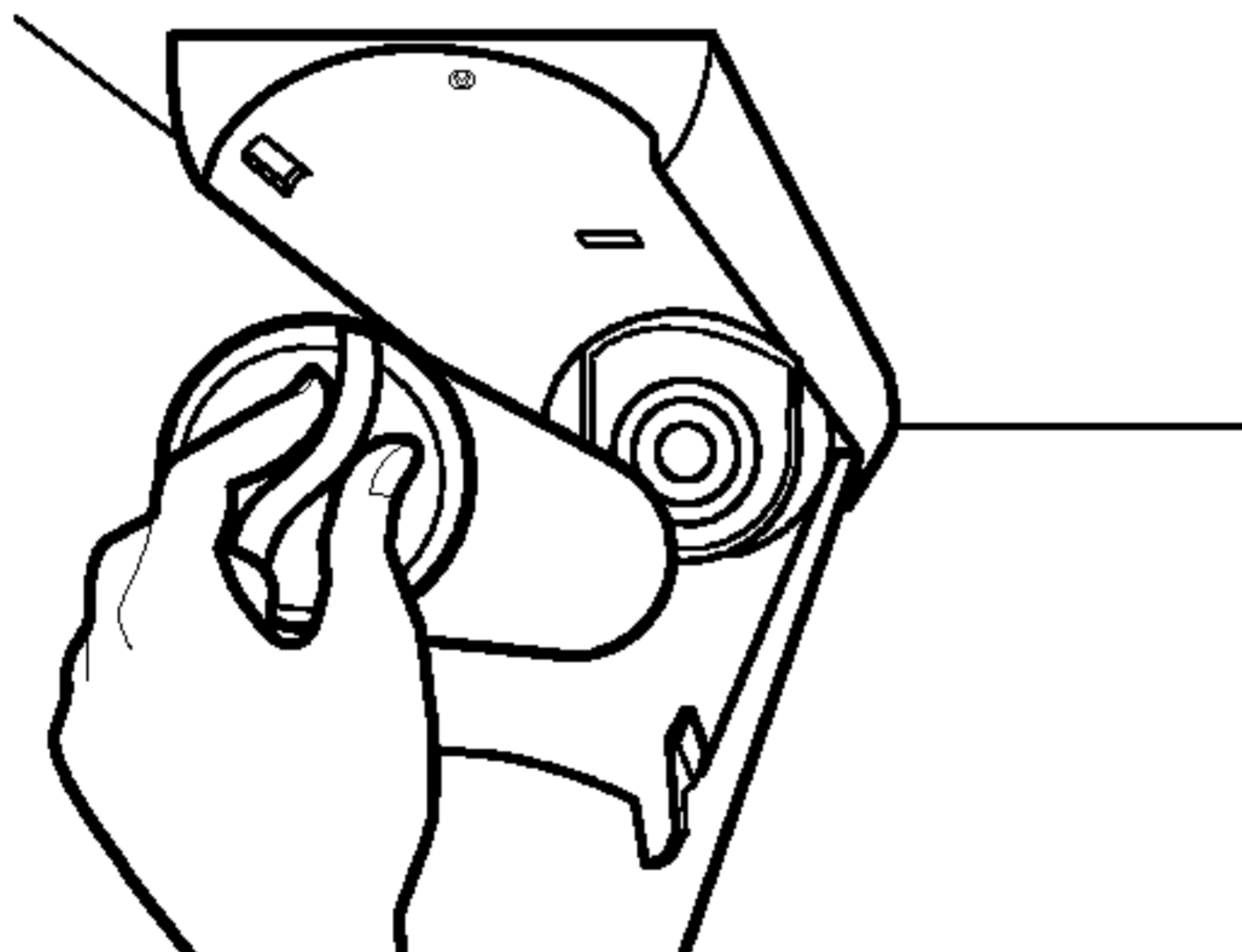
If you are replacing the cartridge, first remove the old one. Open the cartridge cover by pressing in on the tab (1) at the front and pulling down (2).



Rotate the knob of the cartridge counter clockwise until it clicks forward.



Pull out the cartridge.

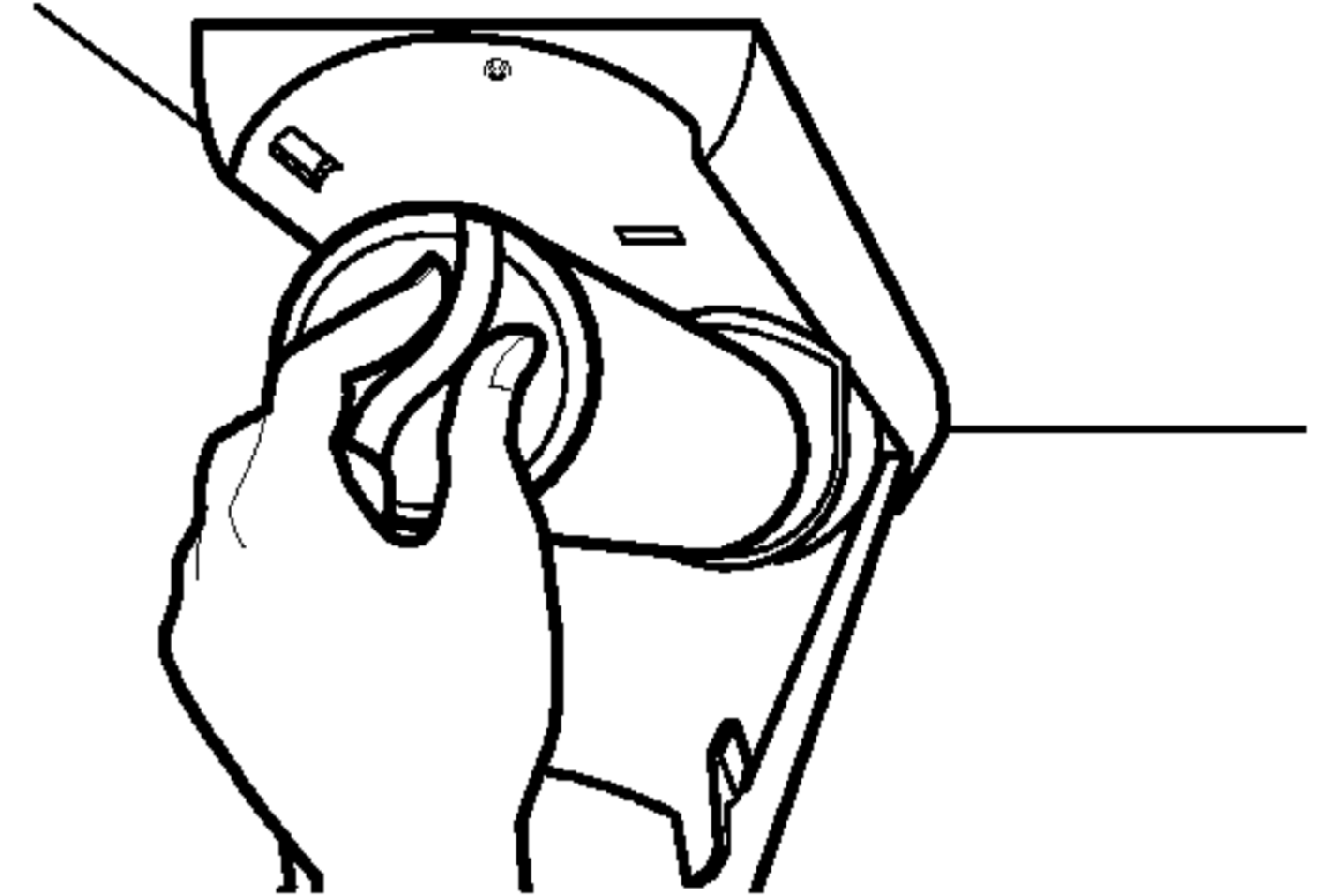


**NOTE:** There will be water in the cartridge. Some spilling may occur.

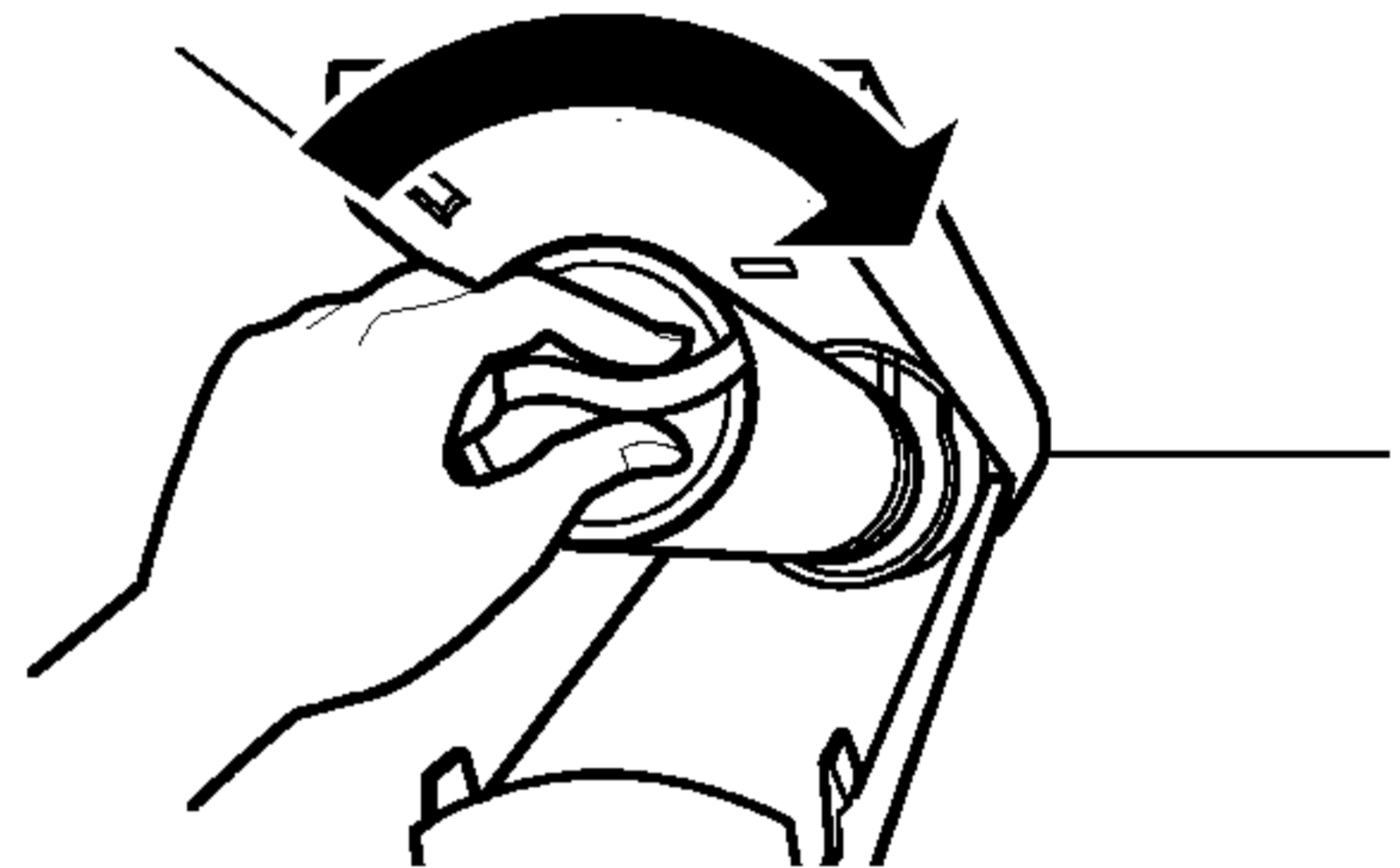
### 2. Replace with a new cartridge.

Take the new cartridge out of its packaging and remove protective cover from the o-rings.

With cartridge knob in the vertical position, push the new filter cartridge into the cover until it stops.



If you can't turn the filter from side to side, it isn't fully inserted. Push it in firmly and use its handle to twist the cartridge clockwise about 1/4 turn. You will hear a snap when it clicks into place.



### 3. Flushing the Water System After Replacing Filter

Dispense water through the water dispenser for 3 minutes to purge the system.

## CARE AND CLEANING

### **⚠ WARNING**



#### **Explosion Hazard**

Use non-flammable cleaner.  
Failure to do so can result in death, explosion, or fire.

Both the refrigerator and freezer sections defrost automatically. However, clean both sections about once a month to prevent odors. Wipe up spills immediately.

### **GENERAL CLEANING TIPS**

- Unplug refrigerator or disconnect power.
- Remove all removable parts, such as shelves, crispers, etc. Refer to sections in Using Your Refrigerator for removal instructions.
- Use a clean sponge or soft cloth and a mild detergent in warm water. Do not use abrasive or harsh cleaners.
- Hand wash, rinse and dry all surfaces thoroughly.
- Plug in refrigerator or reconnect power.

### **OUTSIDE**

Waxing external painted metal surfaces helps provide rust protection. Do not wax plastic parts. Wax painted metal surfaces at least twice a year using appliance wax (or auto paste wax). Apply wax with a clean, soft cloth.

For products with a stainless steel exterior, use a clean sponge or soft cloth and a mild detergent in warm water. Do not use abrasive or harsh cleaners. Dry thoroughly with a soft cloth.

### **INSIDE WALLS (allow freezer to warm up so cloth won't stick)**

To help remove odors, you can wash the inside of the refrigerator with a mixture of baking soda and warm water. Mix 2 tablespoons baking soda to 1 quart of water (26 g soda to 1 liter water.) Be sure the baking soda is completely dissolved so does it not scratch the surfaces of the refrigerator.

**⚠ CAUTION:** While cleaning the inside, do not spray water.

### **DOOR LINERS AND GASKETS**

Do not use cleaning waxes, concentrated detergents, bleaches, or cleaners containing petroleum on plastic refrigerator parts.

### **PLASTIC PARTS (covers and panels)**

Do not use window sprays, abrasive cleansers, or flammable fluids. These can scratch or damage the material.

### **CONDENSER COILS**

Remove base cover. (See the base cover section on page 40.)

Use a vacuum cleaner with an extended attachment to clean condenser coils.

Vacuum coils when dusty or dirty. Coils may need to be cleaned as often as every other month.

Replace grille base.

### **LIGHT BULB REPLACEMENT**

### **⚠ WARNING**

#### **Electrical Shock Hazard**

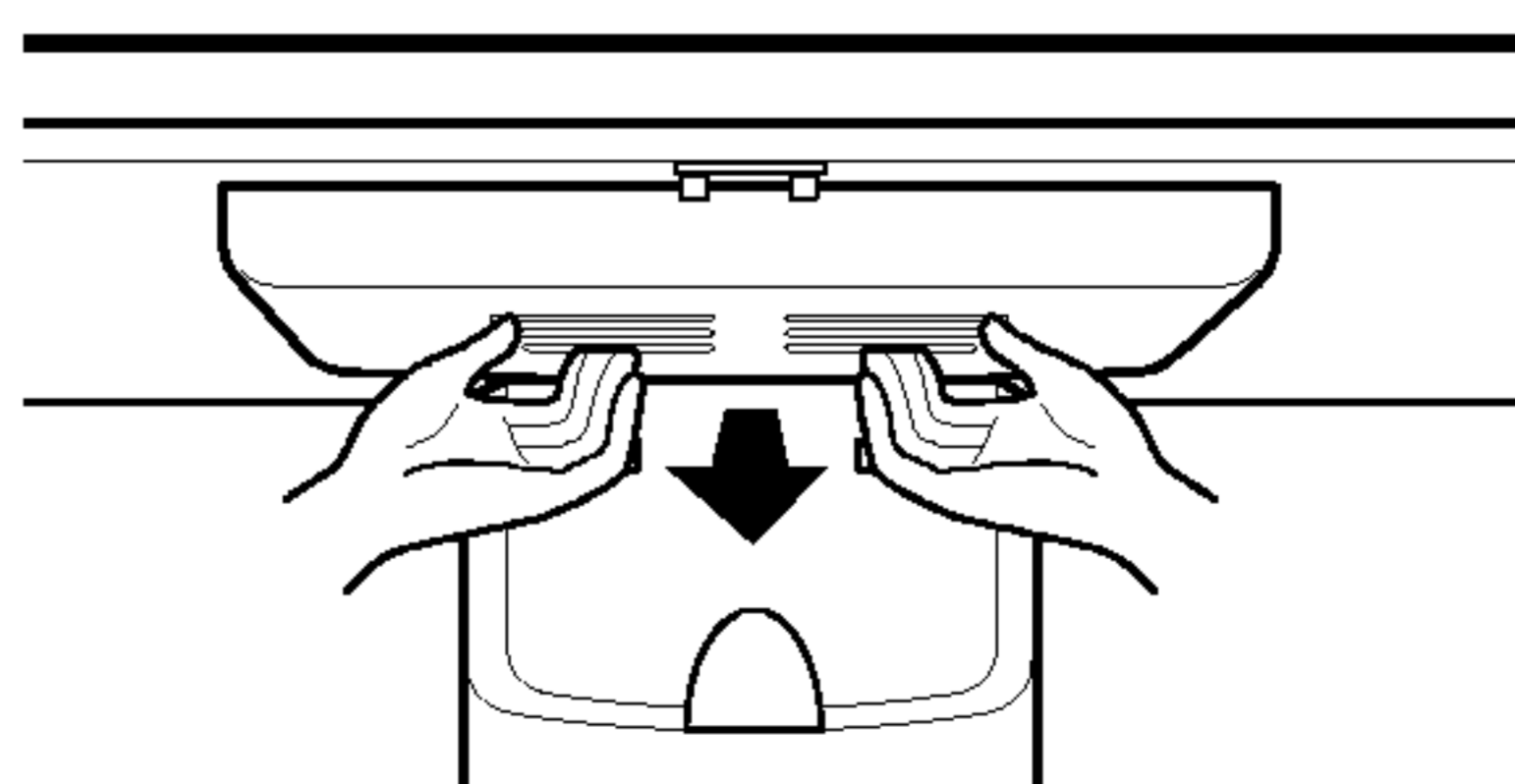
Before replacing a burned-out light bulb, either unplug the refrigerator or turn off power at the circuit breaker or fuse box.

**NOTE:** Moving the control to the OFF position does not remove power to the light circuit.

**NOTE:** Not all appliance bulbs will fit your refrigerator. Be sure to replace the bulb with one of the same size, shape and wattage.

#### **To change the refrigerator light:**

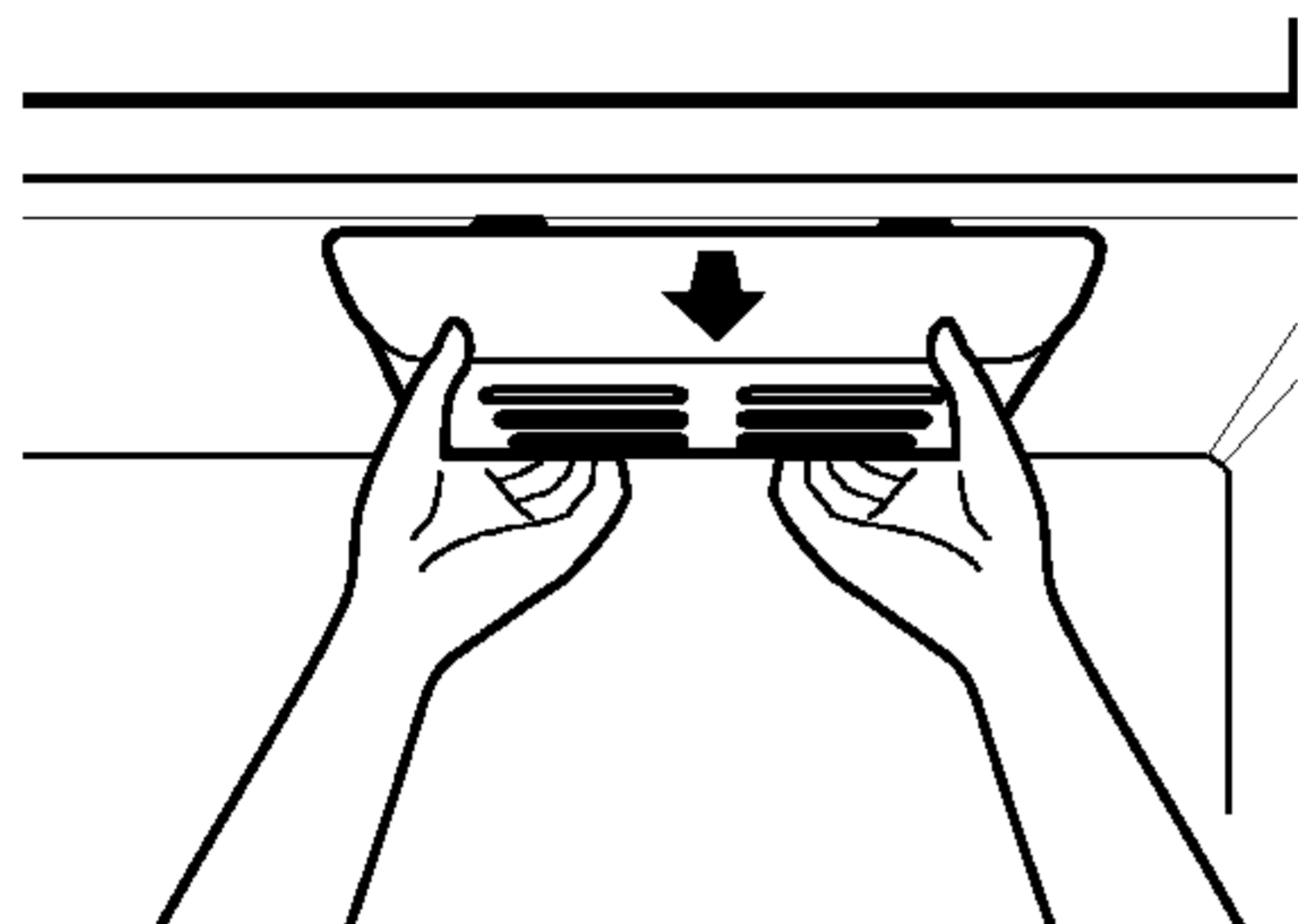
1. Unplug the power cord from the outlet.
2. Remove refrigerator shelves.
3. Pull the shield down with pushing it backward to remove it.
4. Turn the bulb counterclockwise.
5. Assembly is the reverse order of disassembly.



## CARE AND CLEANING

### To change the freezer light:

1. Unplug refrigerator or disconnect power.
2. Reach behind light shield to remove bulb.
3. Replace bulb with a 40-watt appliance bulb.
4. Plug in refrigerator or reconnect power.



**▲ CAUTION:** DO NOT place fingers inside of cover. Lamp may be hot.

### POWER INTERRUPTIONS

If the electricity goes off, call the power company and ask how long it will be off.

1. If the power will be out for 24 hours or less, keep both refrigerator doors closed to help foods stay cold and frozen.
2. If the power will be out for more than 24 hours:
  - a) Remove all frozen food and store it in a frozen food locker.

#### OR

- b) Place 2 lbs of dry ice in the freezer for every cubic foot of freezer space. This will keep the food frozen for two to four days. While handling dry ice, wear gloves to protect your hands from frostbite.

#### OR

- c) If neither a food locker nor dry ice is available, consume or can perishable food at once.

### WHEN YOU GO ON VACATION

If you choose to leave the refrigerator on while you are away, follow these steps to prepare your refrigerator before you leave.

1. Use up any perishables and freeze other items.
2. Empty the ice bin.

If you choose to turn the refrigerator off before you leave, follow these steps.

1. Remove all food from the refrigerator.
2. Depending on your model, set the thermostat control (refrigerator control) to OFF. See the **Setting the Controls** section.
3. Clean refrigerator, wipe it and dry well.
4. Tape rubber or wood blocks to the tops of both doors to prop them open far enough for air to get in. This stops odor and mold from building up.

### WHEN YOU MOVE

When you are moving your refrigerator to a new home, follow these steps to prepare it for the move.

1. Remove all food from the refrigerator and pack all frozen food in dry ice.
2. Depending on your model, turn the thermostat control (refrigerator control) to OFF. See the **Setting the Controls** section.
3. Unplug the refrigerator.
4. Clean, wipe and dry thoroughly.
5. Take out all removable parts, wrap them well and tape them together so they don't shift and rattle during the move. Refer to sections in Using your Refrigerator for removable instructions.
6. Depending on the model, raise the front of the refrigerator so it rolls more easily OR screw in the leveling legs all the way so they don't scrape the floor. See the **Door Closing** section.
7. Tape the doors shut and tape the power cord to the refrigerator cabinet.

When you get to your new home, put everything back and refer to the **Installing Your Refrigerator** section for preparation instructions.

**▲ WARNING:** DO NOT get alive animals into a refrigerator.

# ABOUT THE AUTOMATIC ICEMAKER

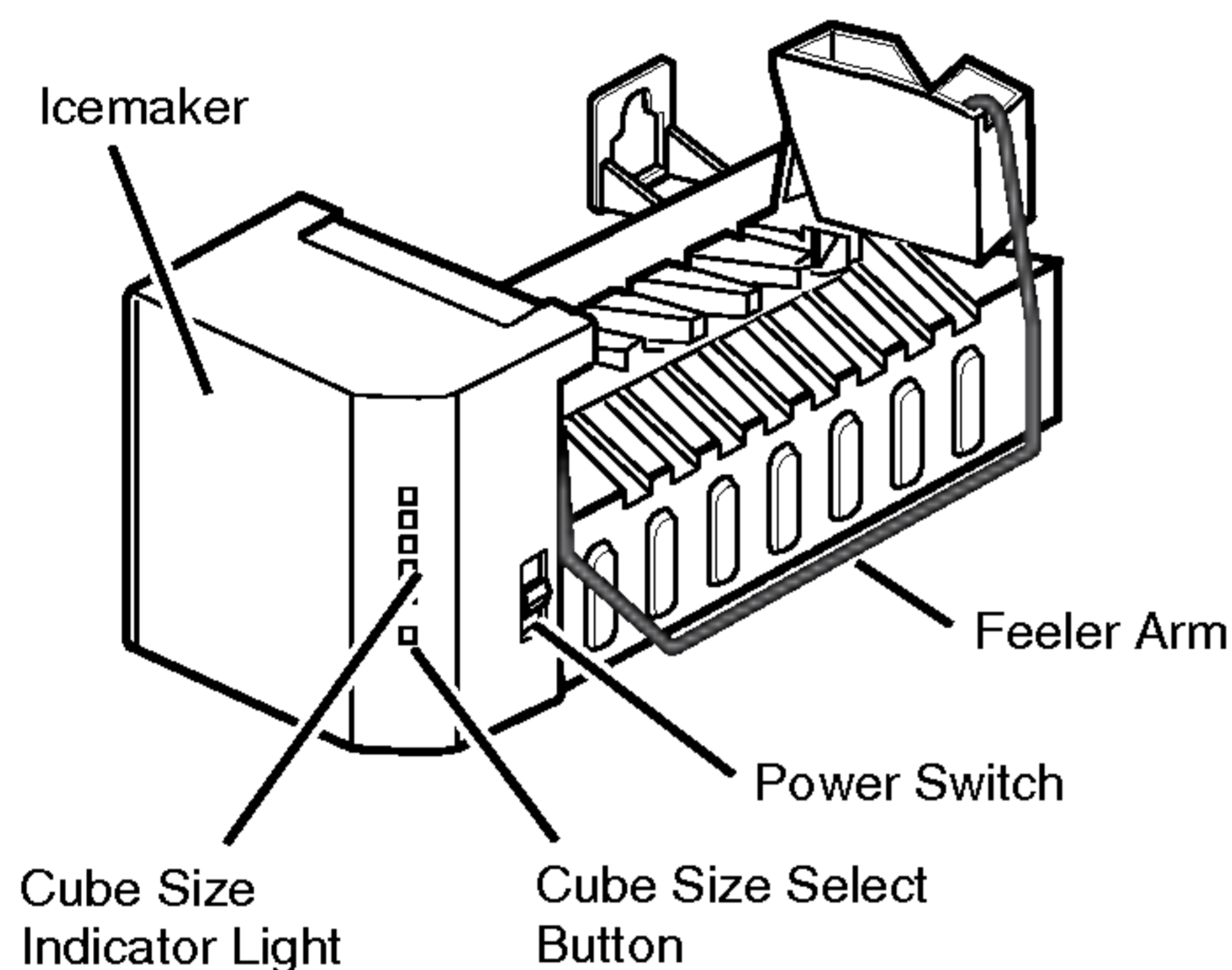
## WARNING

### Personal Injury Hazard

Avoid contact with the moving parts of the ejector mechanism, or with the heating element that releases the cubes. **DO NOT** place fingers or hands on the automatic icemaking mechanism while the refrigerator is plugged in.

## OPERATION INSTRUCTIONS

**A newly-installed refrigerator may take 12 to 24 hours to begin making ice.**



The icemaker will produce eight cubes per cycle—approximately 100–130 cubes in a 24-hour period, depending on freezer compartment temperature, room temperature, number of door openings and other operating conditions.

If the refrigerator is used before the water connection is made to the icemaker, set the power switch to **O (off)**.

When the refrigerator has been connected to the water supply, set the power switch to **I (on)**.

The icemaker will fill with water when it cools to freezing. A newly-installed refrigerator may take 12 to 24 hours to begin making ice cubes.

Throw away the first few batches of ice to allow the water line to clear.

Be sure nothing interferes with the sweep of the feeler arm.

When the bin fills to the level of the feeler arm, the icemaker will stop producing ice.

It is normal for several cubes to be stuck together.

If ice is not used frequently, old ice cubes will become cloudy, taste stale, and shrink.

**NOTE:** If the cube size is smaller or larger than you expected, you can regulate the size with the cube size button.

Every time you press the cube size button, the indicator moves up on light. The higher the light position, the larger the cubes will be. Pressing at highest position returns indicator to lowest position.

## WHEN YOU SHOULD SET THE ICEMAKER POWER SWITCH TO O (OFF)

- When the water supply will be shut off for several hours.
- When the ice storage bin is removed for more than a minute or two.
- When the refrigerator will not be used for several days.

## NORMAL SOUNDS YOU MAY HEAR

- The icemaker water valve will buzz as the icemaker fills with water. If the power switch is in the **I (on)** position, it will buzz even if it has not yet been hooked up to water. To stop the buzzing, move the power switch to **O (off)**.

**NOTE:** Keeping the power switch in the **I (on)** position before the water line is connected can damage the icemaker.

- You will hear the sound of cubes dropping into the bin and water running in the pipes as the icemaker refills.

## PREPARING FOR VACATION

Set the icemaker power switch to **O (off)** and shut off the water supply to the refrigerator.

If the ambient temperature will drop below freezing, have a qualified servicer drain the water supply system to prevent serious property damage due to flooding from ruptured water lines or connections.



# CONNECTING THE WATER LINE

## BEFORE YOU BEGIN

This water line installation is not warranted by the refrigerator or icemaker manufacturer. Follow these instructions carefully to minimize the risk of expensive water damage.

Water hammer (water banging in the pipes) in house plumbing can cause damage to refrigerator parts and lead to water leakage or flooding. Call a qualified plumber to correct water hammer before installing the water supply line to the refrigerator.

To prevent burns and product damage, do not hook up the water line to the hot water line.

If you use your refrigerator before connecting the water line, make sure the icemaker power switch is in the **O (off)** position.

Do not install the icemaker tubing in areas where temperatures fall below freezing.

When using any electrical device (such as a power drill) during installation, be sure the device is double-insulated or grounded in a manner to prevent the hazard of electric shock, or is battery-powered.

All installations must be in accordance with local plumbing code requirements.

**NOTE:** Wear eye protection.

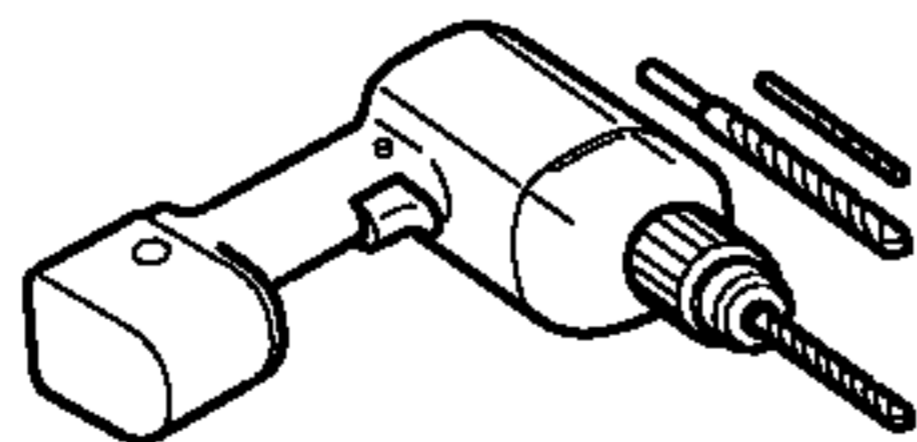
## WHAT YOU WILL NEED

- **Copper Tubing**, 1/4" outer diameter to connect the refrigerator to the water supply. Be sure both ends of the tubing are cut square.

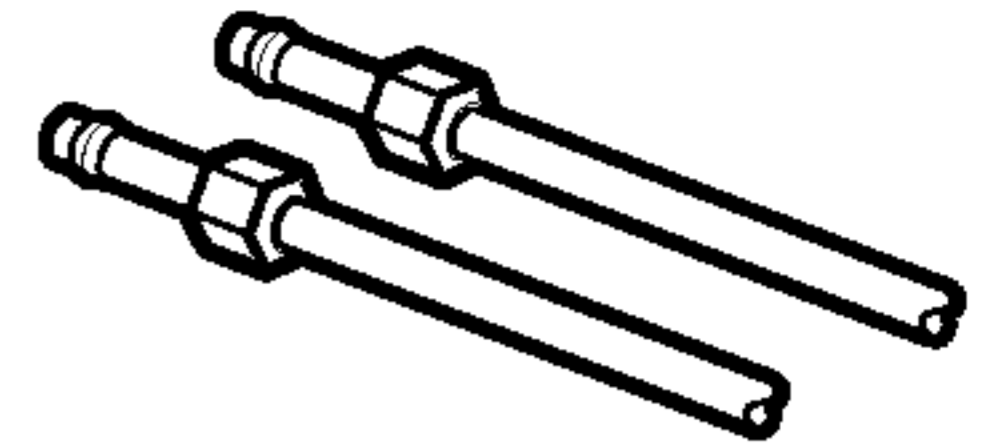


To determine how much tubing you need: measure the distance from the water valve on the back of the refrigerator to the water supply pipe. Then add 8 feet (2.4 m). Be sure there is sufficient extra tubing (about 8 feet [2.4 m] coiled into 3 turns of about 10" [25 cm] diameter) to allow the refrigerator to move out from the wall after installation.

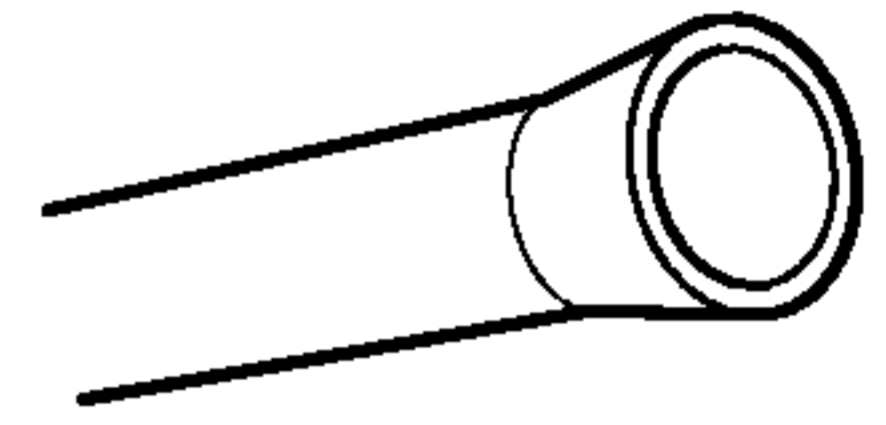
- **A cold water supply.** The water pressure must be between 20 and 120 p.s.i. on models without a water filter and between 40 and 120 p.s.i. on models with a water filter.
- **Power drill.**
- **1/2" or adjustable wrench.**
- **Straight- and Phillips-blade screwdriver.**



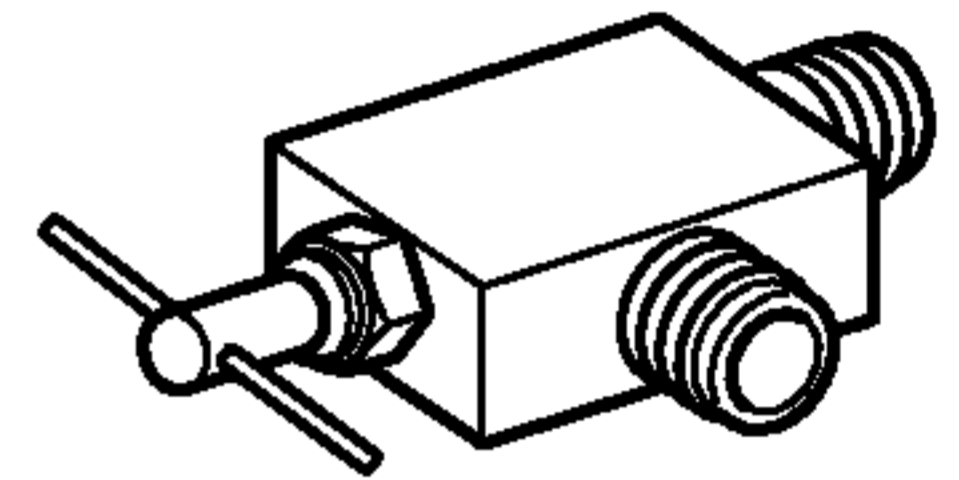
- **Two 1/4" outer diameter compression nuts and 2 ferrules (sleeves)** to connect the copper tubing to the shutoff valve and the refrigerator water valve.



- If your existing copper water line has a flared fitting at the end, you will need an **adapter** (available at plumbing supply stores) to connect the water line to the refrigerator OR you can cut off the flared fitting with a tube cutter and then use a compression fitting.



- **Shutoff valve to connect to the cold water line.** The shutoff valve should have a water inlet with a minimum inside diameter of 5/32" at the point of connection to the COLD WATER LINE. Saddle-type shutoff valves are included in many water supply kits. Before purchasing, make sure a saddle-type valve complies with your local plumbing codes.



## INSTALLATION INSTRUCTIONS

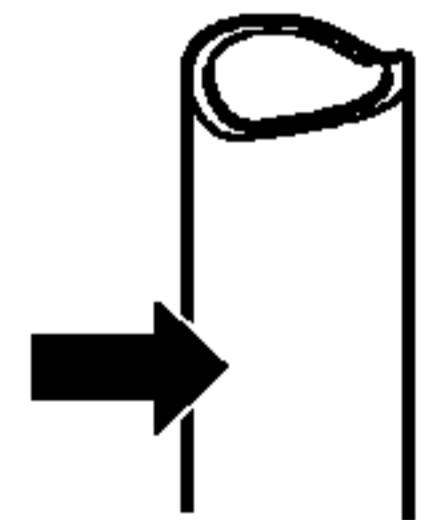
Install the shutoff valve on the nearest frequently used drinking water line.

### 1. SHUT OFF THE MAIN WATER SUPPLY

Turn on the nearest faucet to relieve the pressure on the line.

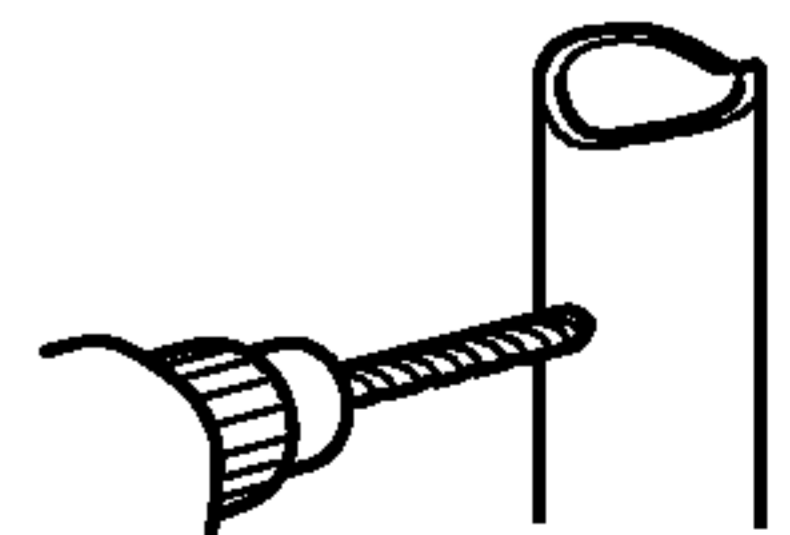
### 2. CHOOSE THE VALVE LOCATION

Choose a location for the valve that is easily accessible. It is best to connect into the side of a vertical water pipe. When it is necessary to connect into a horizontal water pipe, make the connection to the top or side, rather than at the bottom, to avoid drawing off any sediment from the water pipe.



### 3. DRILL THE HOLE FOR THE VALVE

Drill a 1/4" hole in the water pipe (even if using a self-piercing valve) using a sharp bit. Remove any burrs resulting from drilling the hole in the pipe. Take care not to allow water to drain into the drill. Failure to drill a 1/4" hole may result in reduced ice production or smaller cubes.

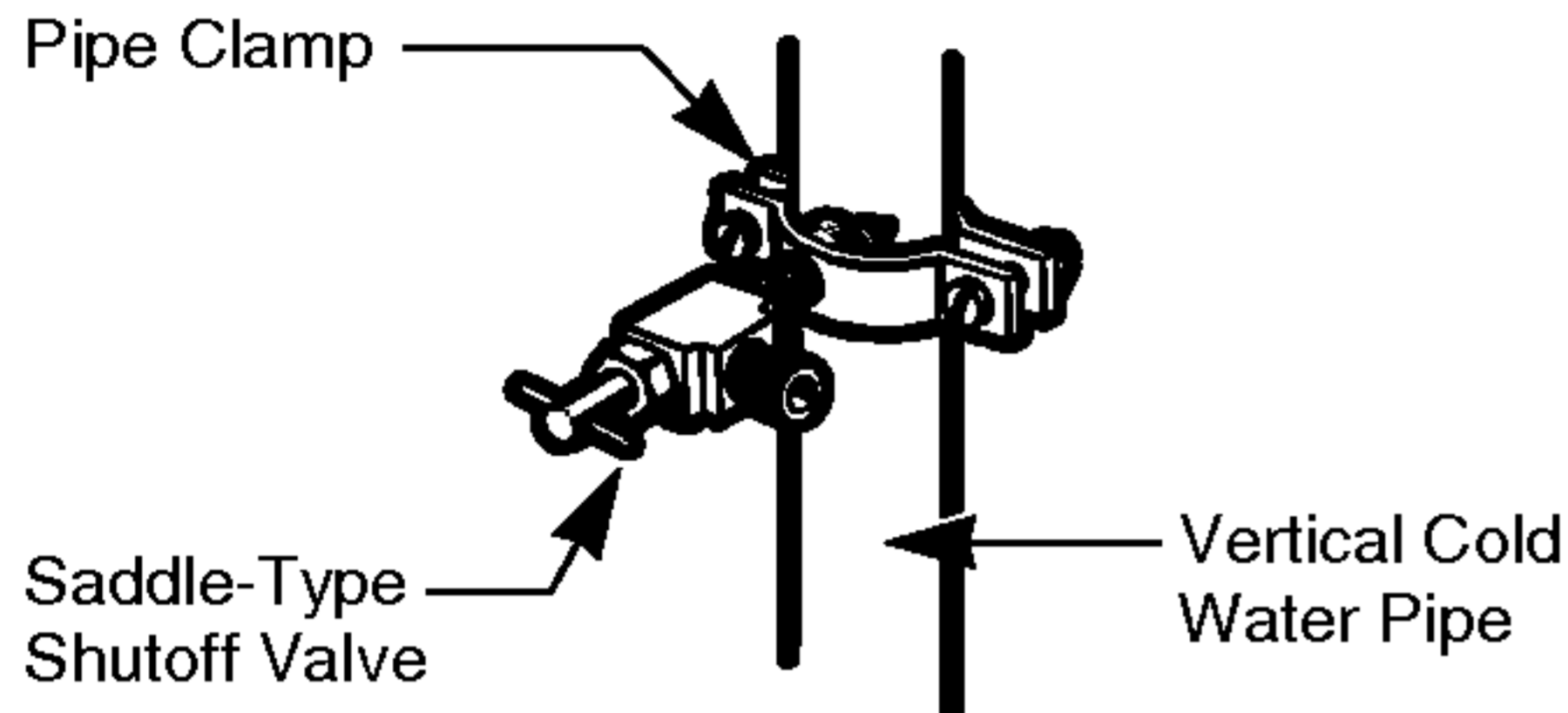


# CONNECTING THE WATER LINE

## INSTALLATION INSTRUCTIONS (CONTINUED)

### 4. FASTEN THE SHUTOFF VALVE

Fasten the shutoff valve to the cold water pipe with the pipe clamp.

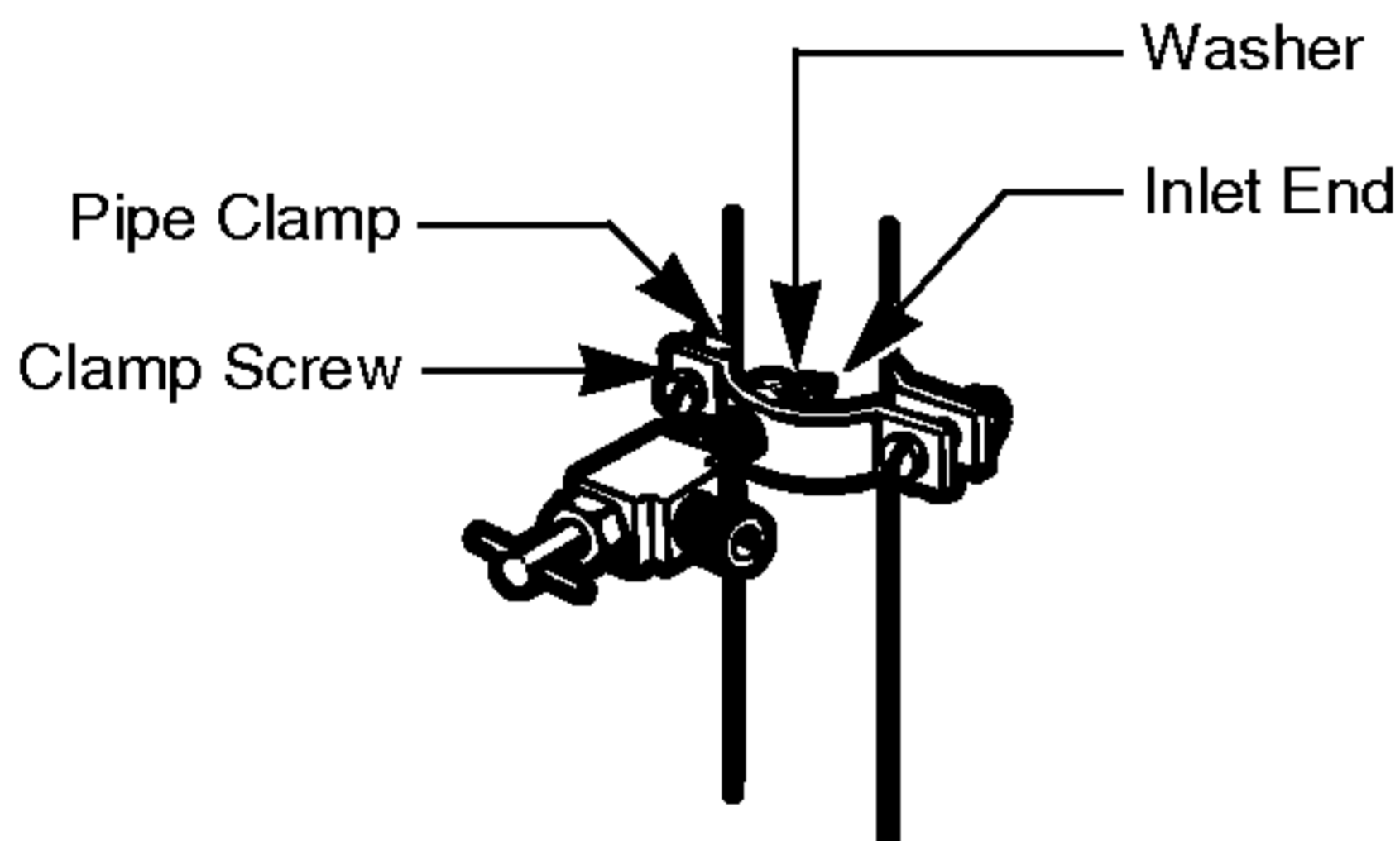


**NOTE:** Commonwealth of Massachusetts Plumbing Codes 248CMR shall be adhered to. Saddle valves are illegal and use is not permitted in Massachusetts. Consult with your licensed plumber.

### 5. TIGHTEN THE PIPE CLAMP

Tighten the clamp screws until the sealing washer begins to swell.

**NOTE:** Do not overtighten or you may crush the tubing.



### 6. ROUTE THE TUBING

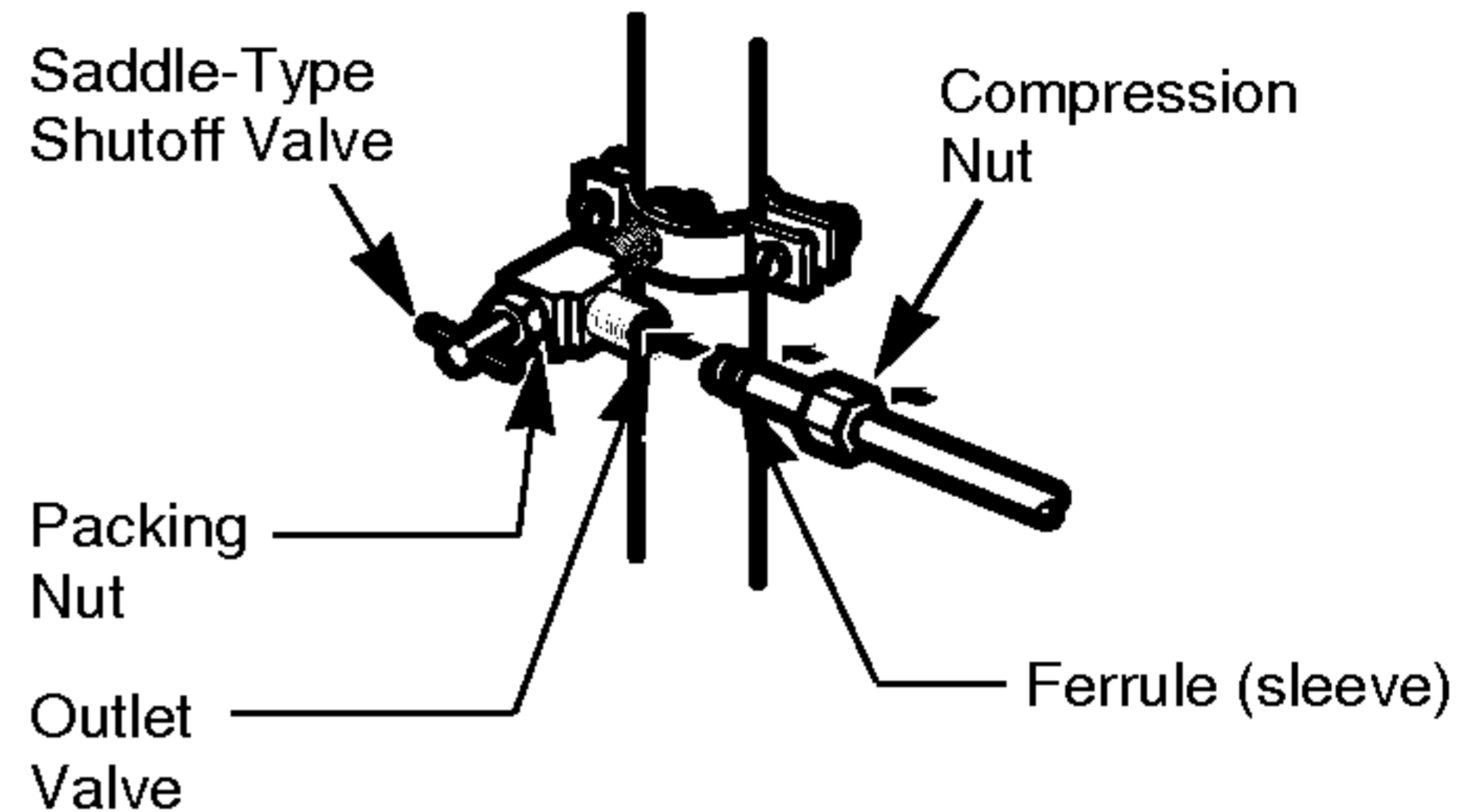
Route the tubing between the cold water line and the refrigerator.

Route the tubing through a hole drilled in the wall or floor (behind the refrigerator or adjacent base cabinet) as close to the wall as possible.

**NOTE:** Be sure there is sufficient extra tubing (about 8 feet coiled into 3 turns of about 10" diameter) to allow the refrigerator to move out from the wall after installation.

### 7. CONNECT THE TUBING TO THE VALVE

Place the compression nut and ferrule (sleeve) for copper tubing onto the end of the tubing and connect it to the shutoff valve. Make sure the tubing is fully inserted into the valve. Tighten the compression nut securely.

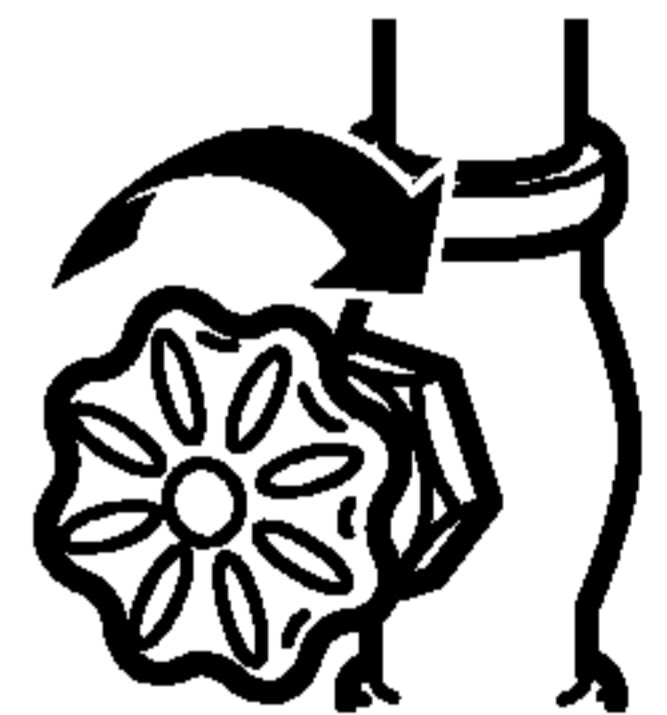


**NOTE:** Commonwealth of Massachusetts Plumbing Codes 248CMR shall be adhered to. Saddle valves are illegal and use is not permitted in Massachusetts. Consult with your licensed plumber.

### 8. FLUSH OUT THE TUBING

Turn the main water supply on and flush out the tubing until the water is clear.

Shut the water off at the water valve after about one quart of water has been flushed through the tubing.



# CONNECTING THE WATER LINE

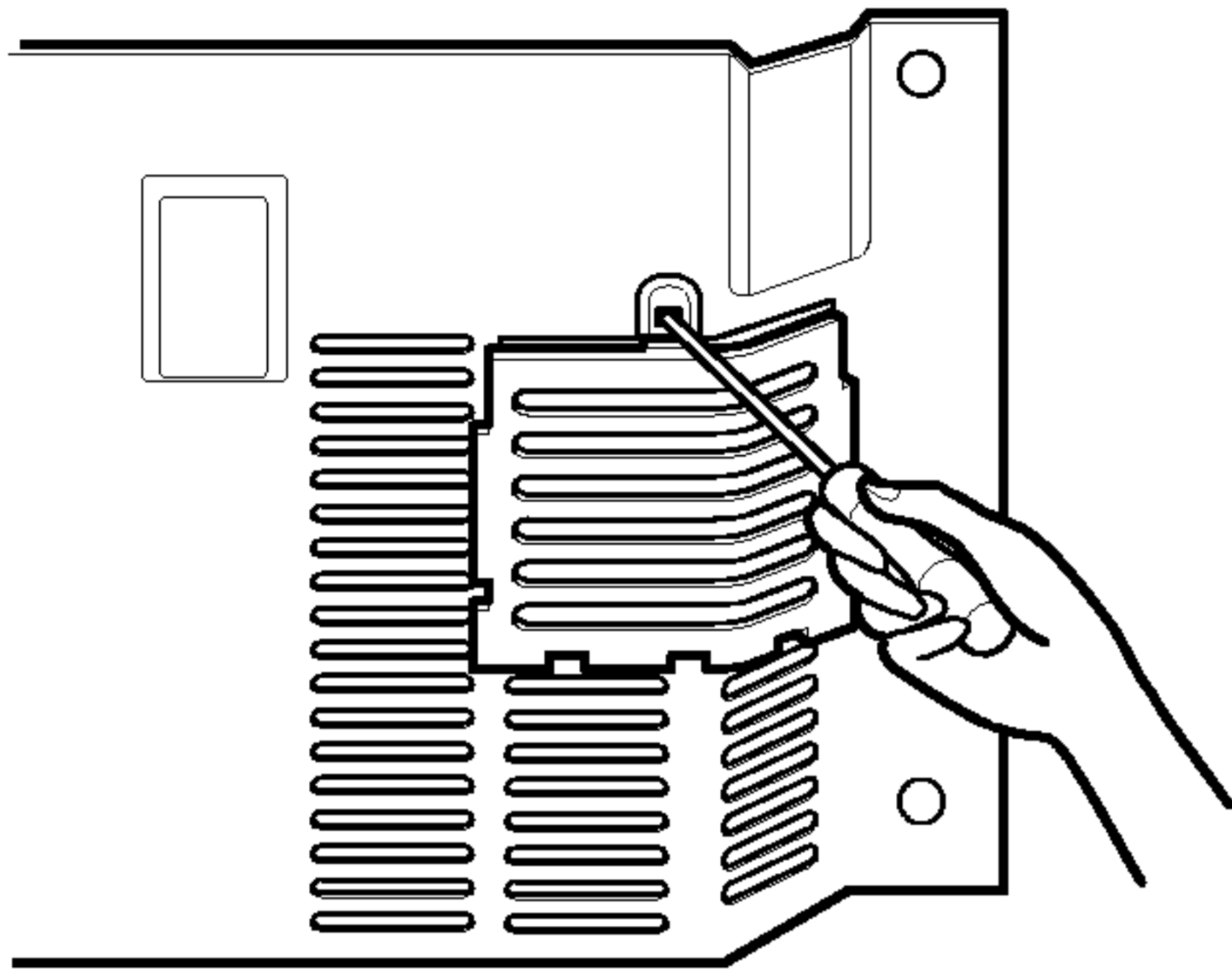
## 9. CONNECT THE TUBING TO THE REFRIGERATOR

Removing and Replacing Valve Cover

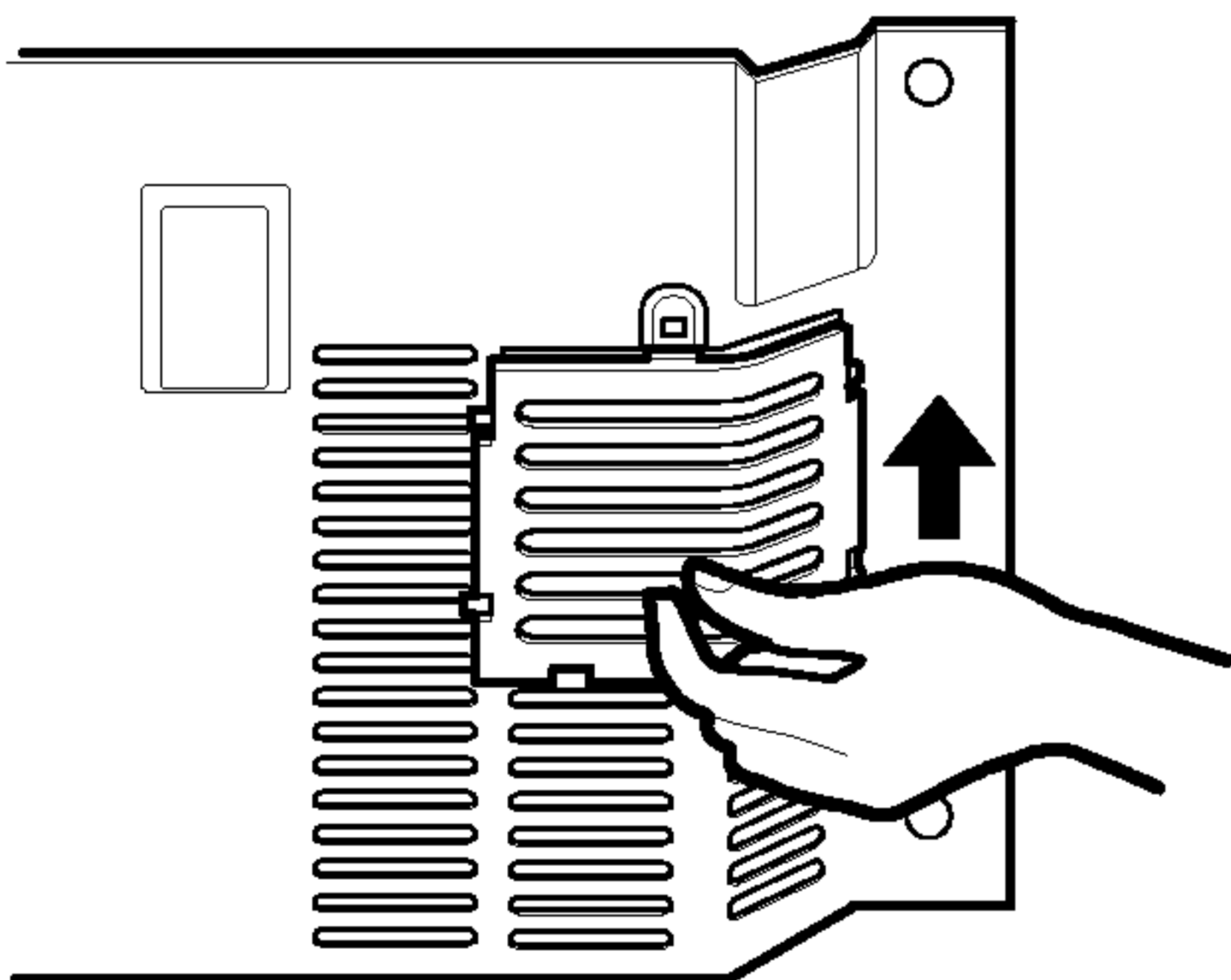
### NOTE:

- Before making the connection to the refrigerator, be sure the refrigerator power cord is not plugged into the wall outlet.

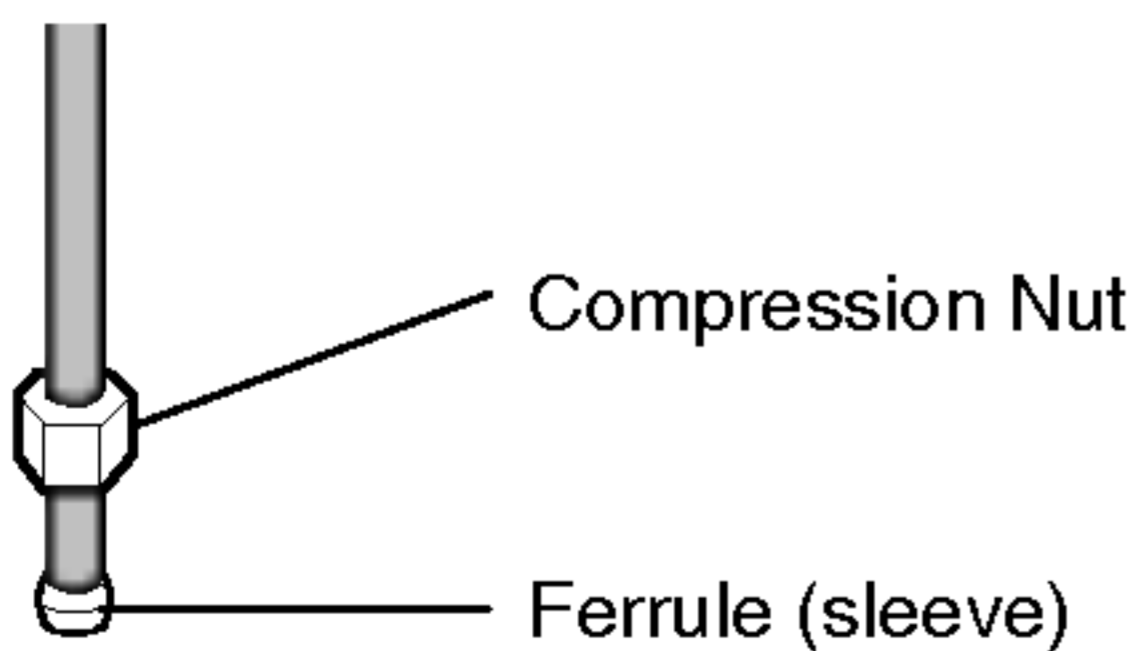
1. Loosen screw on top of plastic cover.



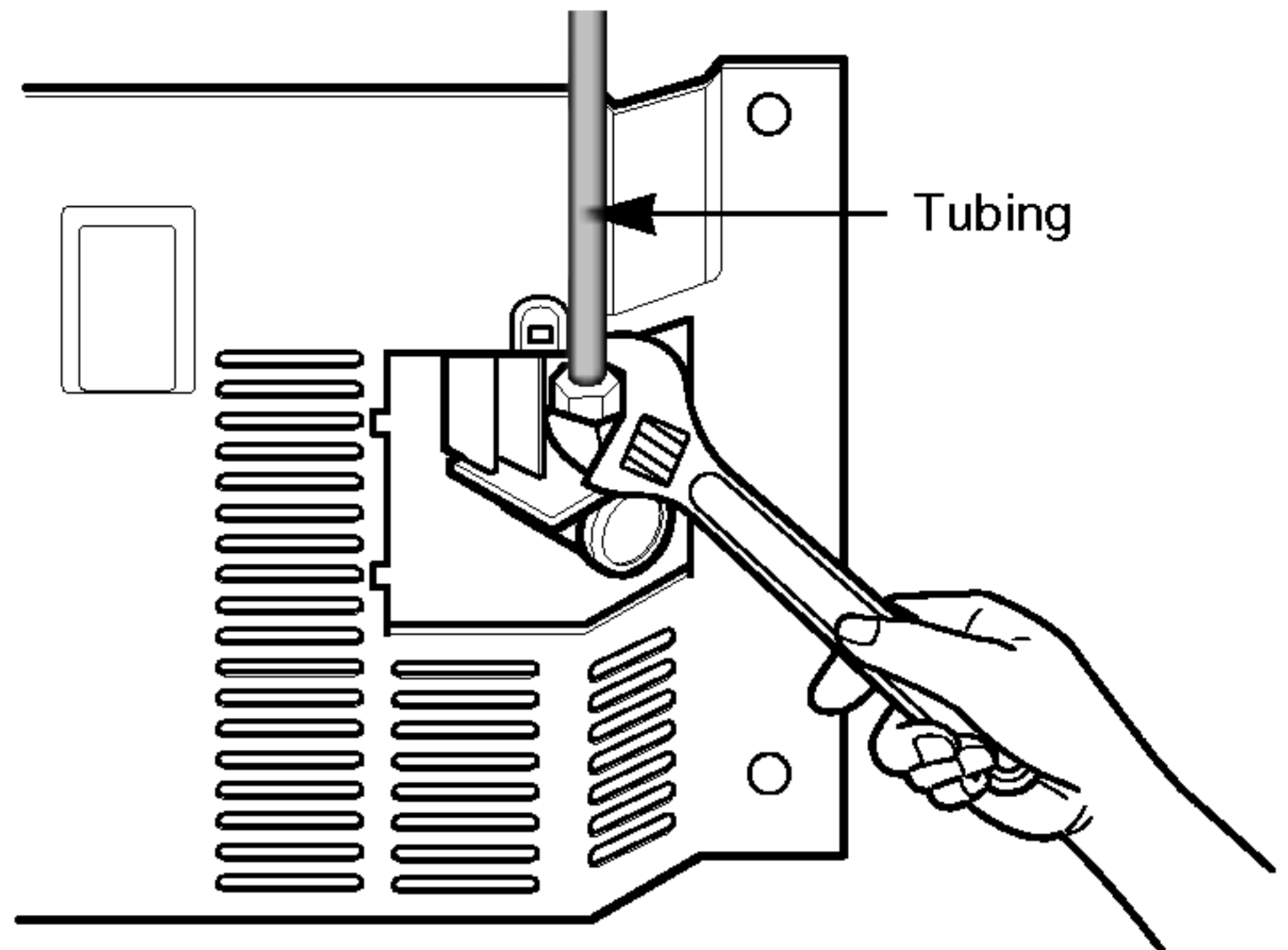
2. Lift off the cover by slightly pushing up.



3. Place a compression nut and a ferrule (sleeve) onto the end of tubing.

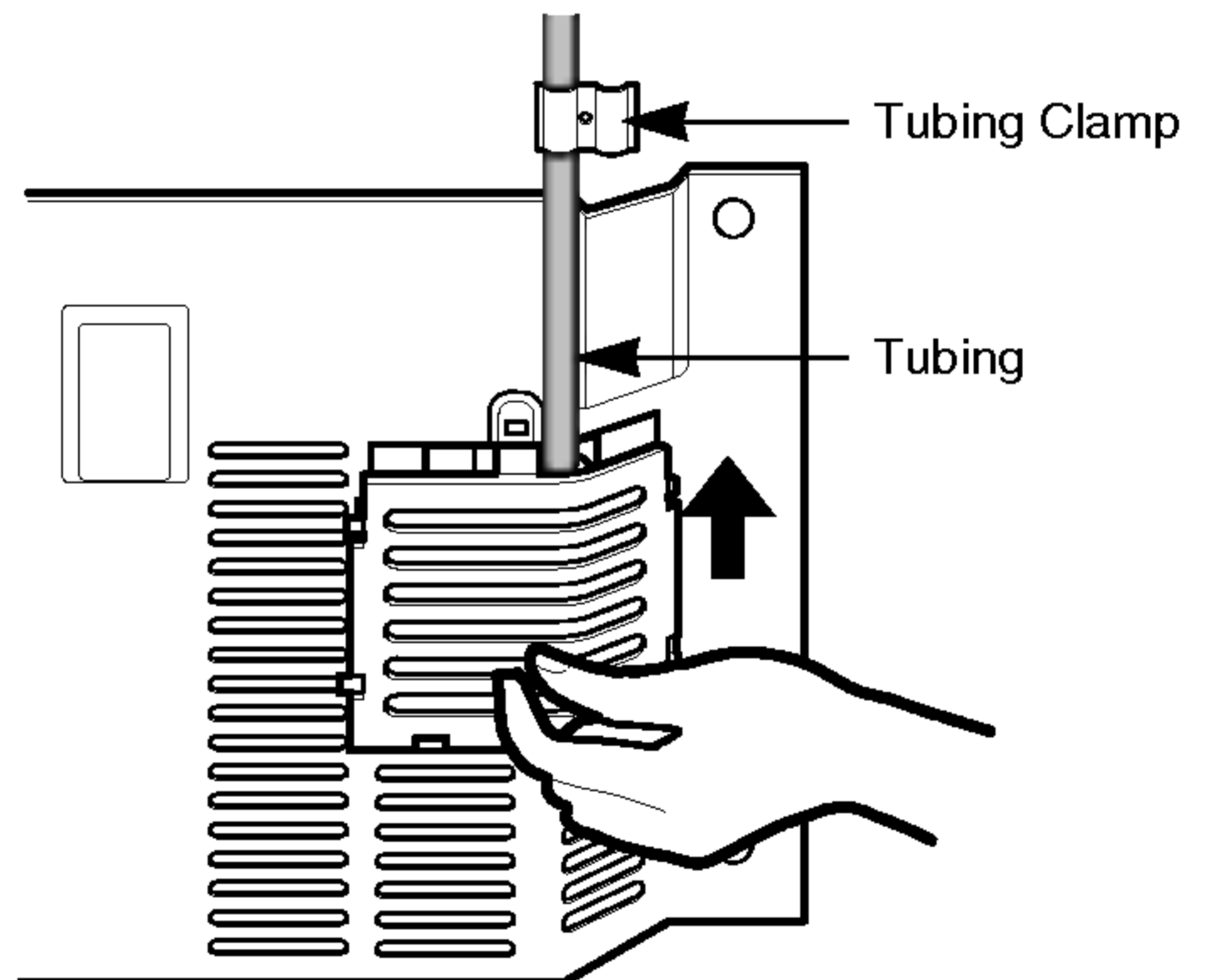


4. Insert the tube into the valve and fasten with wrench as shown in the figure below.



**CAUTION:** Check to see if water dripping occurs at water line connections.

5. Bend the tube upwards and fasten it into the clamp provided to hold it in position. Replace the cover and tighten the cover screw.

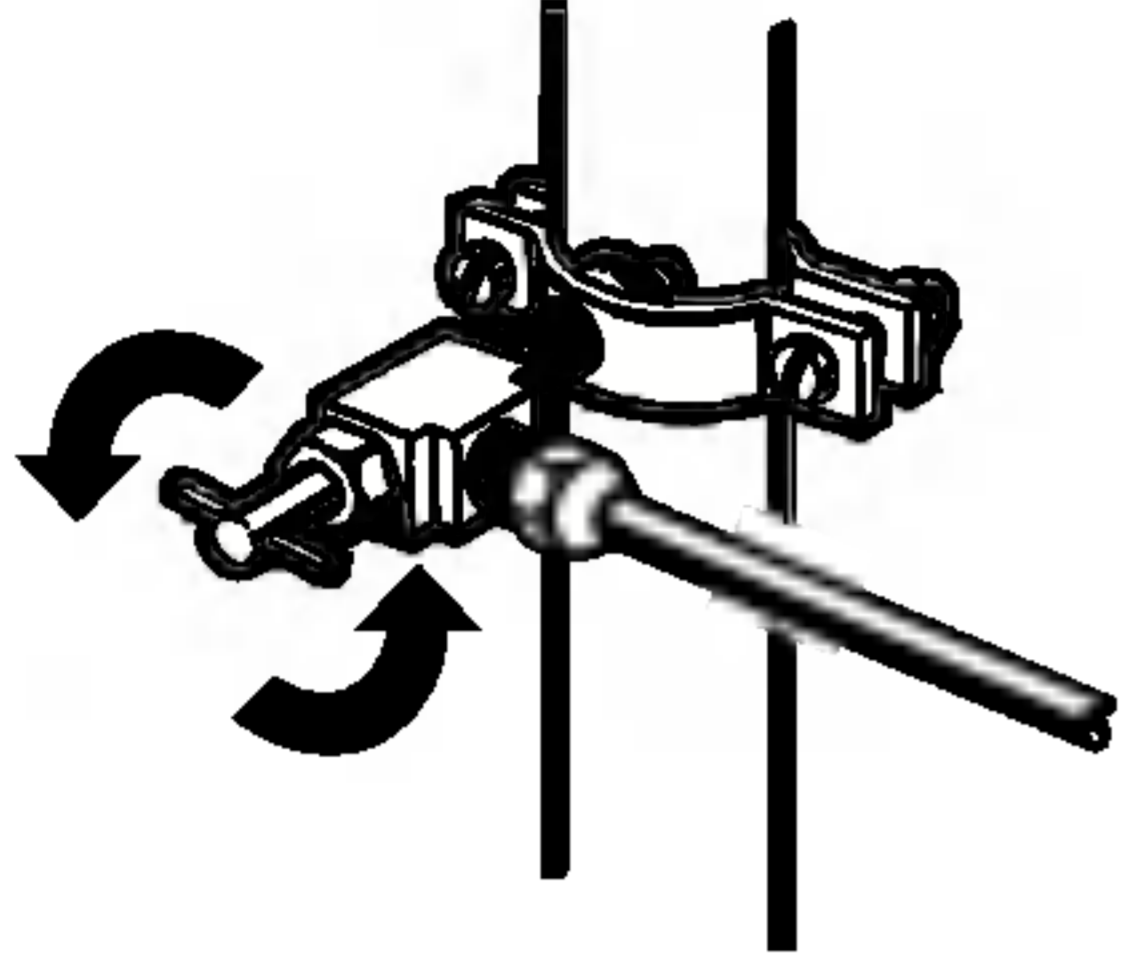


## CONNECTING THE WATER LINE

### 10. TURN THE WATER ON AT THE SHUTOFF VALVE

Tighten any connections that leak.

Reattach the compressor compartment access cover.



### 11. PLUG IN THE REFRIGERATOR

Arrange the coil of tubing so that it does not vibrate against the back of the refrigerator or against the wall. Push the refrigerator back to the wall.

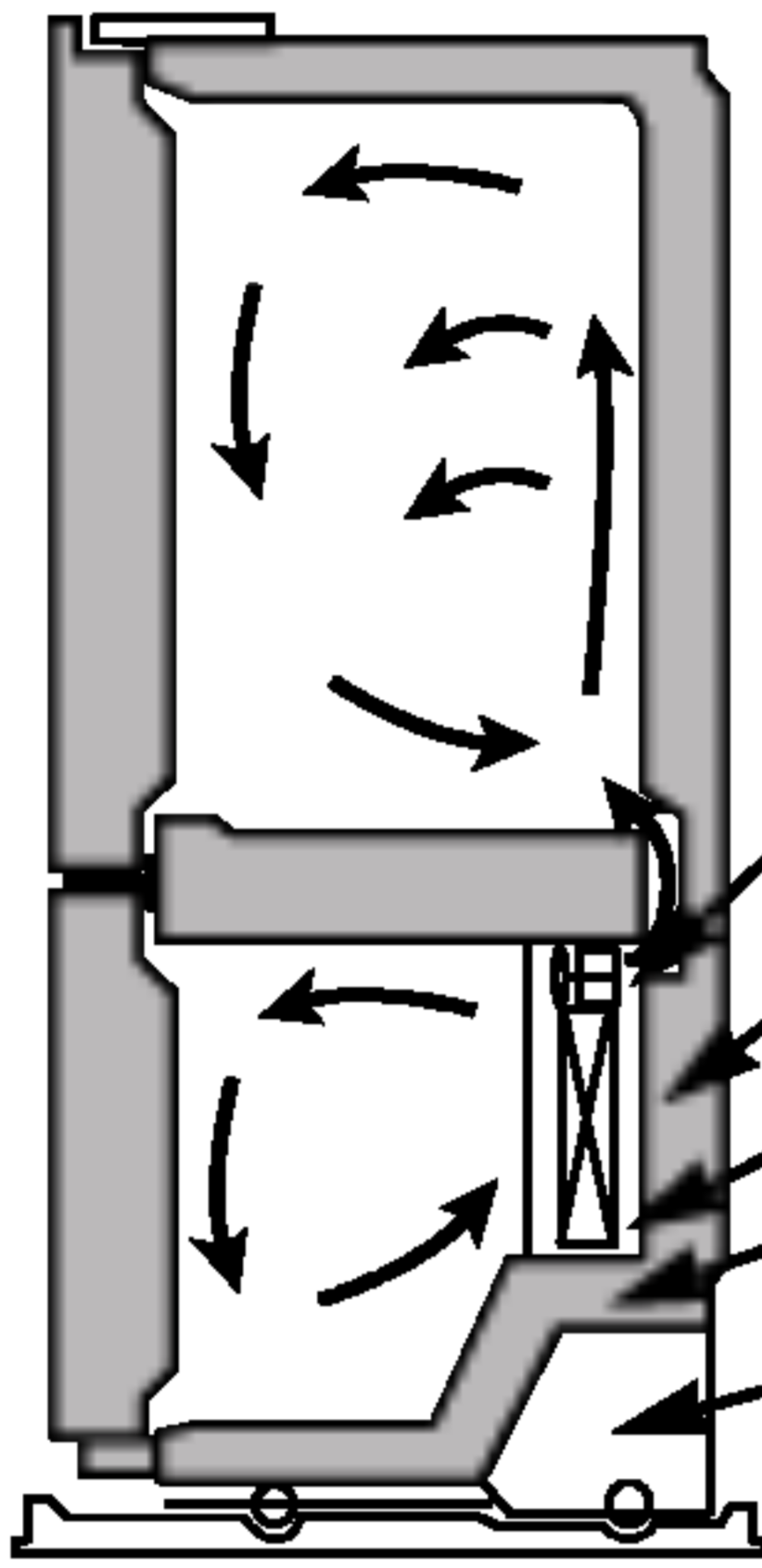
### 12. START THE ICEMAKER

Set the icemaker power switch to the **ON** position. The icemaker will not begin to operate until it reaches its operating temperature of  $-9^{\circ}\text{C}$  or below. It will then begin operation automatically if the icemaker power switch is in the **I (on)** position.

# TROUBLESHOOTING GUIDE

## UNDERSTANDING SOUNDS YOU MAY HEAR

Your new refrigerator may make sounds that your old one didn't make. Because the sounds are new to you, you might be concerned about them. Most of the new sounds are normal. Hard surfaces, like the floor, walls and cabinets, can make the sounds seem louder than they actually are. The following describes the kinds of sounds and what may be making them.



- The defrost timer will click when the automatic defrost cycle begins and ends. The thermostat control (or refrigerator control, depending on the model) will also click when cycling on and off.
- Rattling noises may come from the flow of refrigerant, the water line, or items stored on top of the refrigerator.
- Your refrigerator is designed to run more efficiently to keep your food items at the desired temperature. The high efficiency compressor may cause your new refrigerator to run longer than your old one, and you may hear a pulsating or high-pitched sound.
- You may hear the evaporator fan motor circulating the air through the refrigerator and freezer compartments.
- As each cycle ends, you may hear a gurgling sound due to the refrigerant flowing in your refrigerator.
- Contraction and expansion of the inside walls may cause a popping noise.
- Water dripping on the defrost heater during a defrost cycle may cause a sizzling sound.
- You may hear air being forced over the condenser by the condenser fan.
- You may hear water running into the drain pan during the defrost cycle.

	Check if...	Then...
<b>REFRIGERATOR DOES NOT OPERATE</b>	The power supply cord is unplugged.  A household fuse has blown or circuit breaker tripped.  The refrigerator control is set to the OFF position.  Refrigerator is in the defrost cycle.	<ul style="list-style-type: none"> <li>▶ Firmly plug the cord into a live outlet with proper voltage.</li> <li>▶ Replace the fuse or reset the circuit breaker.</li> <li>▶ Refer to the <b>Setting the Controls</b> section on page 47.</li> <li>▶ Wait about 30 minutes for defrost cycle to end.</li> </ul>
<b>VIBRATION OR RATTLING NOISE</b>	The refrigerator is not resting solidly on the floor.	<ul style="list-style-type: none"> <li>▶ Floor is weak or uneven or leveling legs need adjusting. See <b>Installation</b> section on page 46.</li> </ul>
<b>LIGHTS DO NOT WORK</b>	The power supply cord is unplugged.  Light bulb is loose in the socket.  Light bulb has burned out.	<ul style="list-style-type: none"> <li>▶ Firmly plug the cord into a live outlet with proper voltage.</li> <li>▶ Turn the refrigerator control to the OFF position and unplug the refrigerator. Gently remove the bulb and reinsert. Then plug in refrigerator and reset the refrigerator control.</li> <li>▶ Replace with an appliance bulb of the same wattage, size and shape available at your local hardware store. (See the <b>Changing the Light Bulb(s)</b> section on pages 57–58.) Turn the temperature control to the OFF position and unplug the refrigerator prior to replacement.</li> </ul>

# TROUBLESHOOTING GUIDE

	Check if...	Then...
<p><b>COMPRESSOR MOTOR SEEMS TO RUN TOO MUCH</b></p>	<p>The refrigerator that was replaced was an older model. The room temperature is hotter than normal.</p> <p>The door is opened often or a large amount of food has just been added.</p> <p>The refrigerator was recently plugged in and the refrigerator control was set correctly. The refrigerator control is not set correctly for the surrounding conditions. The doors are not closed completely.</p> <p>The condenser coils are dirty.</p>	<ul style="list-style-type: none"> <li>▶ Modern refrigerators with more storage space require more operating time.</li> <li>▶ The motor will run longer under warm conditions. At normal room temperatures, expect your motor to run about 40% to 80% of the time. Under warmer conditions, expect it to run even more often.</li> <li>▶ Adding food and opening the door warms the refrigerator. It is normal for the refrigerator to run longer in order to cool the refrigerator back down. Adding a large amount of food warms the refrigerator. See the <b>Food Storage Guide</b> section on page 48. In order to conserve energy, try to get everything you need out of the refrigerator at once, keep food organized so it is easy to find and close the door as soon as the food is removed.</li> <li>▶ The refrigerator will take up to 24 hours to cool completely.</li> <li>▶ See the <b>Adjusting Control Settings</b> section on page 48.</li> <li>▶ Push the doors firmly shut. If they will not shut all the way, see <b>Doors will not close completely</b> below.</li> <li>▶ This prevents air transfer and makes the motor work harder. Clean the condenser coils. Refer to the <b>Care and Cleaning</b> section on pages 57–58.</li> </ul>
<p><b>DOORS WILL NOT CLOSE COMPLETELY</b></p>	<p>The refrigerator is not level.</p> <p>Food packages are blocking the door open. The ice bin, crisper cover, pans, shelves, door bins or baskets are out of position.</p> <p>The gaskets are sticking.</p> <p>The refrigerator wobbles or seems unstable.</p> <p>The doors were removed during product installation and not properly replaced.</p>	<ul style="list-style-type: none"> <li>▶ See <b>Leveling and Door Alignment</b> on page 46.</li> <li>▶ Rearrange food containers to clear door and door shelves.</li> <li>▶ Push bins all the way in and put crisper cover, pans, shelves and baskets into their correct positions. See the <b>Using Your Refrigerator</b> section on pages 47–56.</li> <li>▶ Clean gaskets and the surface that they touch. Rub a thin coat of paraffin wax on the gaskets after cleaning.</li> <li>▶ Level the refrigerator. Refer to the <b>Leveling and Door Alignment</b> section on page 46.</li> <li>▶ Remove and replace the doors according to the <b>Removing and Replacing Refrigerator handles and doors</b> section on pages 41–45, or call a qualified service technician.</li> </ul>
<p><b>FROST OR ICE CRYSTALS ON FROZEN FOOD</b></p>	<p>The door is not closing properly.</p> <p>The door is opened often.</p>	<ul style="list-style-type: none"> <li>▶ See <b>Doors will not close completely</b> above.</li> <li>▶ When the door is opened, warm, humid air is allowed in the freezer, resulting in frost.</li> </ul>

## TROUBLESHOOTING GUIDE

	Check if...	Then...
<b>ICE HAS OFF-TASTE OR ODOR</b>	<p>The icemaker was recently installed.</p> <p>The ice has been stored for too long.</p> <p>The food has not been wrapped tightly in either compartment.</p> <p>The water supply contains minerals such as sulfur.</p> <p>The interior of refrigerator needs cleaning.</p> <p>Ice storage bin needs cleaning.</p>	<ul style="list-style-type: none"> <li>▶ Discard first few batches of ice to avoid discolored or off-flavored ice.</li> <li>▶ Throw away old ice and make new supply.</li> <li>▶ Rewrap foods since odors may migrate to the ice if food is not wrapped properly.</li> <li>▶ A filter may need to be installed (or replaced) to eliminate taste and odor problems.</li> <li>▶ See <b>Care and Cleaning</b> section on pages 57–58.</li> <li>▶ Empty and wash bin. Discard old cubes.</li> </ul>
<b>THERE IS WATER IN THE DEFROST DRAIN PAN</b>	<p>The refrigerator is defrosting.</p> <p>It is more humid than normal.</p>	<ul style="list-style-type: none"> <li>▶ The water will evaporate. It is normal for water to drip into the defrost pan.</li> <li>▶ Expect that the water in the defrost pan will take longer to evaporate. This is normal when it is hot or humid.</li> </ul>
<b>THE REFRIGERATOR SEEMS TO MAKE TOO MUCH NOISE</b>	<p>The sounds may be normal for your refrigerator.</p>	<ul style="list-style-type: none"> <li>▶ Refer to the <b>Understanding Sounds You May Hear</b> section on page 64.</li> </ul>
<b>THE ICEMAKER IS NOT PRODUCING ICE OR ICE CUBES ARE FREEZING TOO SLOWLY</b>	<p>The freezer temperature is cold enough to produce ice.</p> <p>Door left open.</p>	<ul style="list-style-type: none"> <li>▶ Wait 24 hours after hook-up for ice production. See the <b>Setting the Controls</b> section on page 47.</li> <li>▶ Check to see if something is holding the door open.</li> </ul>
<b>CUBES PRODUCED BY ICEMAKER ARE TOO SMALL</b>	<p>Smaller cube size level is selected.</p> <p>Water shutoff valve connecting refrigerator to water line may be clogged.</p>	<ul style="list-style-type: none"> <li>▶ Select larger cube size using cube size selector.</li> <li>▶ Call a plumber to clear the valve.</li> </ul>
<b>THE DOORS ARE DIFFICULT TO OPEN</b>	<p>The gaskets are dirty or sticky.</p> <p>The door is reopened within a short time after having been opened.</p>	<ul style="list-style-type: none"> <li>▶ Clean gaskets and the surfaces that they touch. Rub a thin coat of appliance polish or kitchen wax on the gaskets after cleaning.</li> <li>▶ When you open the door, warmer air enters the refrigerator. As the warm air cools, it can create a vacuum. If the door is hard to open, wait 5 minutes to allow the air pressure to equalize, then see if it opens more easily.</li> </ul>

# TROUBLESHOOTING GUIDE

Check if...	Then...
<p><b>TEMPERATURE IS TOO WARM OR THERE IS INTERIOR MOISTURE BUILDUP</b></p>	
<p>The air vents are blocked. Cold air circulates from the freezer to the fresh food section and back again through air vents in the wall dividing the two sections.</p>	<ul style="list-style-type: none"> <li>▶ Locate air vents by using your hand to sense airflow and move all packages that block vents and restrict airflow. Refer to <b>Multi-Flow</b> on page 47 for the location of air vents.</li> </ul>
<p>The doors are opened often.</p>	<ul style="list-style-type: none"> <li>▶ When the door is opened, warm humid air is allowed into the refrigerator. The more the door is opened, the faster the humidity builds up, and the more warm air the refrigerator must cool. In order to keep the refrigerator cool, try to get everything you need out of the refrigerator at once, keep food organized so it is easy to find and close the door as soon as the food is removed.</li> </ul>
<p>The control is not set correctly for the surrounding conditions.</p>	<ul style="list-style-type: none"> <li>▶ Refer to the <b>Setting the Controls</b> section on page 47. Wait 24 hours for temperatures to stabilize or even out. If the temperature is too cold or too warm, move the dial one number at a time.</li> </ul>
<p>A large amount of food has just been added to the refrigerator or freezer.</p>	<ul style="list-style-type: none"> <li>▶ Adding food warms the refrigerator. It can take a few hours for the refrigerator to return to normal temperature.</li> </ul>
<p>The food is not packaged correctly.</p>	<ul style="list-style-type: none"> <li>▶ Wrap food tightly and wipe off damp containers prior to storing in the refrigerator to avoid moisture accumulation. If necessary, repackage food according to the guidelines in the <b>Food Storage Guide</b> section on page 48.</li> </ul>
<p>The doors are not closing completely.</p>	<ul style="list-style-type: none"> <li>▶ See <b>Doors will not close completely</b> on page 65.</li> </ul>
<p>The weather is humid.</p>	<ul style="list-style-type: none"> <li>▶ In humid weather, air carries moisture into refrigerator when doors are opened.</li> </ul>
<p>A self-defrost cycle was completed.</p>	<ul style="list-style-type: none"> <li>▶ It is normal for droplets to form on the back wall after the refrigerator self-defrosts.</li> </ul>



## Warranty Certificate

### For offer a 24-month warranty for this apparatus

During the 24-month warranty period, we will repair your apparatus at no cost to you or make available spare parts to your dealer free, if this apparatus fails due to manufacturing or material defects. Further claims are excluded. We are not liable for damages due to acts of providence or damages occurring during transport. The buyer assumes shipping and packaging costs. Your warranty conditions on the rear also apply!

Type of apparatus : \_\_\_\_\_

Serial number :

Name of buyer : \_\_\_\_\_

Purchase date : \_\_\_\_\_

Dealer's stamp and signature

## Warranty conditions for refrigerator

- 1. The warranty period begins** on the purchase date and is valid for 24 months. Begin of warranty period is proven if, the buyer submits purchase receipt together with the warranty card, filled in and signed by the seller. The serial number of the product must agree with the number entered onto the warranty card.
- 2. During the warranty period, we will** correct any defects at no cost to you, if it can be proven that these are attributed to manufacturing or material defects.
- 3. Damages due to incorrect handling, non-compliance with instructions for use and normal wear are not covered by this warranty.** Also, the warranty does not cover wear parts or easily broken parts (for example, viewing glass, light bulbs). The buyer is responsible for any damages during transport as well as shipping and packaging costs.
- 4. We decide whether to make repairs, exchange or replace parts.** Exchanged or replaced parts are our property. The original warranty period is not prolonged if a refrigerator is repaired or certain parts are replaced.
- 5. The warranty is nullified** if any person intervenes in the apparatus that are not authorised by LG Electronics, if the apparatus is used for commercial purposes.
- 6. Always keep the original packaging,** so that if the apparatus requires servicing, it can be transported without damaging it.
- 7. If a repair is covered by this warranty,** always contact your dealer or an authorised service centre.
- 8. Further claims are excluded.** If parts of these provisions are invalid, they apply in the sense of the wording. The validity of the other provisions is not effected.