





MP3/CD LOGIC DECK CASSETTE RECORDER OWNER'S MANUAL

MODEL: LPC-LM440A/X
LPC-LM445A/X

Please read this manual carefully before operating your set.
Retain it for future reference.

Designs and specifications are subject to change without
notice for improvement.



	CAUTION RISK OF ELECTRIC SHOCK DO NOT OPEN	
<p>CAUTION: TO REDUCE THE RISK OF ELECTRIC SHOCK DO NOT REMOVE COVER (OR BACK) NO USER SERVICEABLE PARTS INSIDE. REFER SERVICING TO QUALIFIED SERVICE PERSONNEL.</p>		

Explanation Graphical Symbols:



The lightning flash with arrowhead symbol, within an equilateral triangle is intended to alert the user to the presence of uninsulated dangerous voltage within the product's enclosure that may be of sufficient magnitude to constitute a risk of electric shock to persons.



The exclamation point within an equilateral triangle is intended to alert the user to the presence of important operating and maintenance (servicing) instructions in the literature accompanying the appliance.

WARNING

TO REDUCE THE RISK OF FIRE OF ELECTRIC SHOCK, DO NOT EXPOSE THIS APPLIANCE TO RAIN OR MOISTURE.

To avoid electrical shock, do not open the cabinet, Refer servicing to qualified personnel only.

The apparatus shall not be exposed to dripping or splashing and that no objects filled with liquids, such as vases, shall be placed on the apparatus.

Do not install this equipment in a confined space such a bookcase or similar unit.

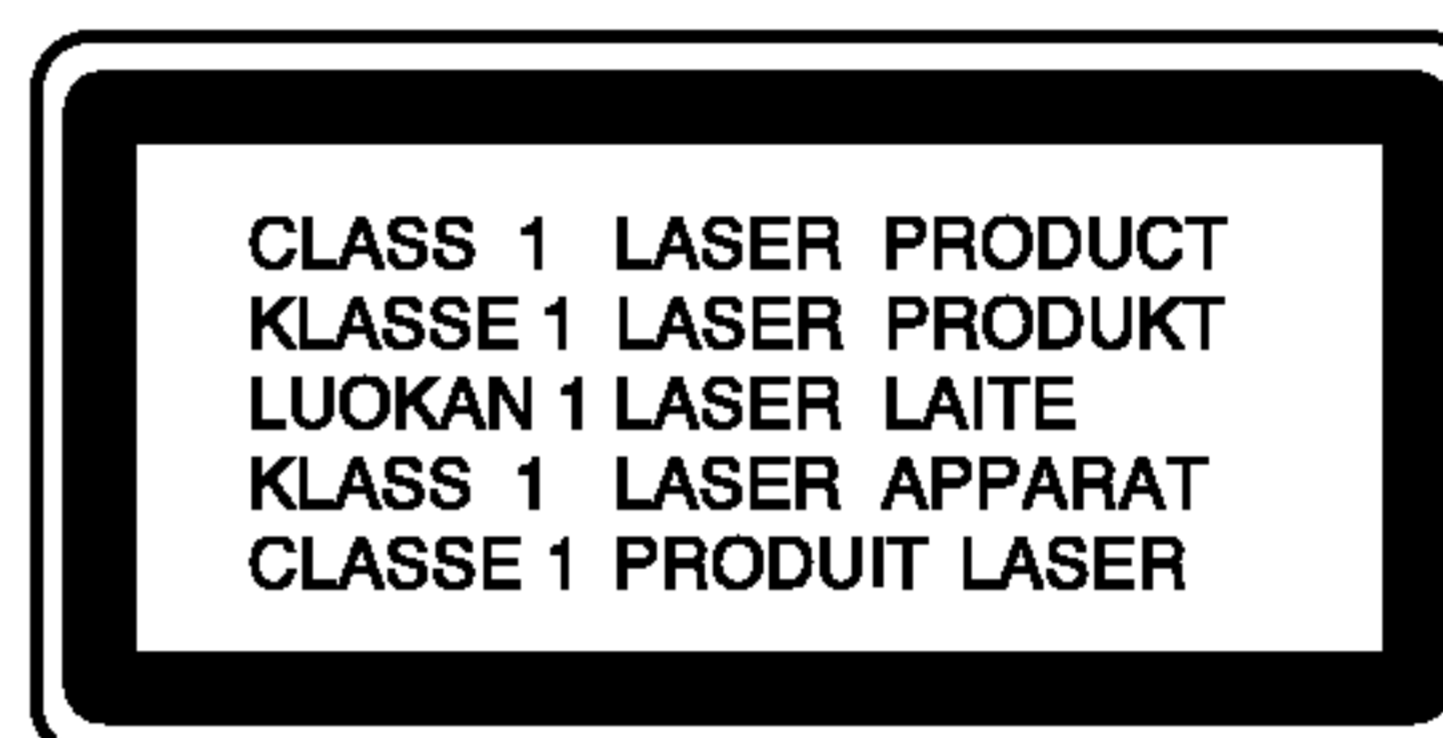
CAUTION

Use of controls or adjustments or performance of procedures other than those specified herein may result in hazardous radiation exposure.

Laser component in this product is capable of emitting radiation exceeding the limit for Class 1.

<p>CAUTION: INVISIBLE LASER RADIATION WHEN OPEN AND INTERLOCKS DEFEATED. AVOID EXPOSURE TO BEAM.</p>
<p>VARNING: OSYNLIG LASERSTRÅLNING NÄR DENNA DEL ÄR ÖPPNAD STRÅLEN ÄR FARLIG.</p>
<p>Attention: Quand l'appareil est ouvert, ne pas s'exposer aux radiations invisibles du faisceau laser.</p>

This label is located on the interior.



This Compact Disc player is classified as a CLASS 1 LASER product.

The CLASS 1 LASER PRODUCT label is located on the exterior.



Disposal of your old appliance

1. When this crossed-out wheeled bin symbol is attached to a product it means the product is covered by the European Directive 2002/96/EC.
2. All electrical and electronic products should be disposed of separately from the municipal waste stream via designated collection facilities appointed by the government or the local authorities.
3. The correct disposal of your old appliance will help prevent potential negative consequences for the environment and human health.
4. For more detailed information about disposal of your old appliance, please contact your city office, waste disposal service or the shop where you purchased the product.

Contents

1 Introduction	4	Tape Playback	12
Notes on Discs	4	Basic Playback	12
Handling discs	4	To Stop Play	12
Storing discs	4	To Play Rewind or Fast Forward	12
Cleaning discs	4	Auto Stop Deck :	
Notes on Tapes	4	LPC-LM440A/X model only	12
Shipping the Unit	4	Auto Reverse Deck :	
Cleaning the Unit	4	LPC-LM445A/X model only	12
Front Panel	5	Local Repeat	12
Rear/Bottom Panel	6	Tape Recording	12
Remote Control	6	Basic Recording	12
2 Installation	7	Recording from Radio or CD	12
The AC Power Cord Connection	7	CD to Tape Synchronized Recording	12
Adjusting the voltage (OPTIONAL)	7	CD Playback	13
Battery Installation	7	Basic Playback	13
Unit	7	Pause Playback	13
Remote Control	7	Stop Playback	13
Sound Adjustment	8	Skipping a Track	13
Volume Adjustment	8	Searching a Track	13
Sound Quality Adjustment	8	Repeat	13
MUTE	8	Program Play	13
SURROUND ON/OFF	8	4 Maintenance	14
XDSS (Extreme Dynamic Sound System)	8	About MP3	14
Using the subwoofer	8	About WMA	14
Adjusting Tape speed	8	About MULTI SESSION	14
Headphone Socket	8	Troubleshooting	14
Micphone Socket (OPTIONAL)	8	5 Reference	15
3 Operation	9	Remote Control Operation Range	15
Auto Function Selection	9	Specifications	15
Setting the Clock	9		
Using the Sleep Function	9		
Using Microphone (OPTIONAL)	9		
Timer	10		
Presetting the Radio Stations	11		
Listening to the Radio	11		

1 Introduction

To ensure proper use of this product, please read this owner's manual carefully and retain for future reference.

This manual provides information on the operation and maintenance of your CD player. Should the unit require service, contact an authorized service location (refer to Chapter 4, Maintenance and Service).

Notes on Discs

Handling discs

Do not touch the playback side of the disc. Hold the disc by the edges so that fingerprints do not get on the surface. Never stick paper or tape on the disc.

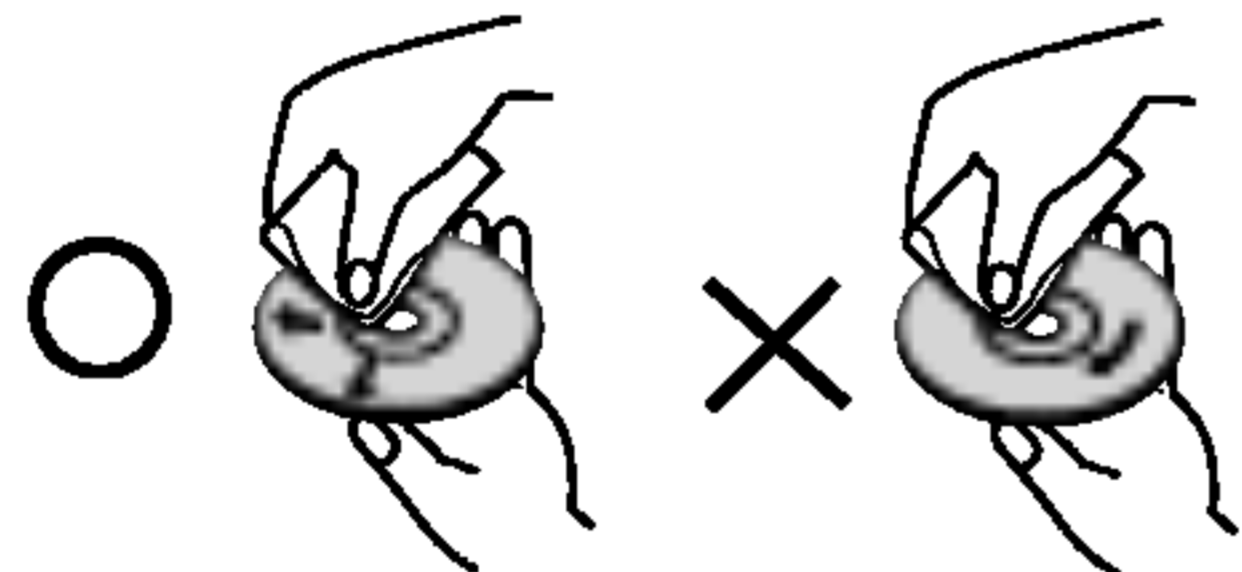


Storing discs

After playing, store the disc in its case. Do not expose the disc to direct sunlight or sources of heat and never leave it in a parked car exposed to direct sunlight.

Cleaning discs

Fingerprints and dust on the disc can cause poor picture quality and sound distortion. Before playing, clean the disc with a clean cloth. Wipe the disc from the center out.

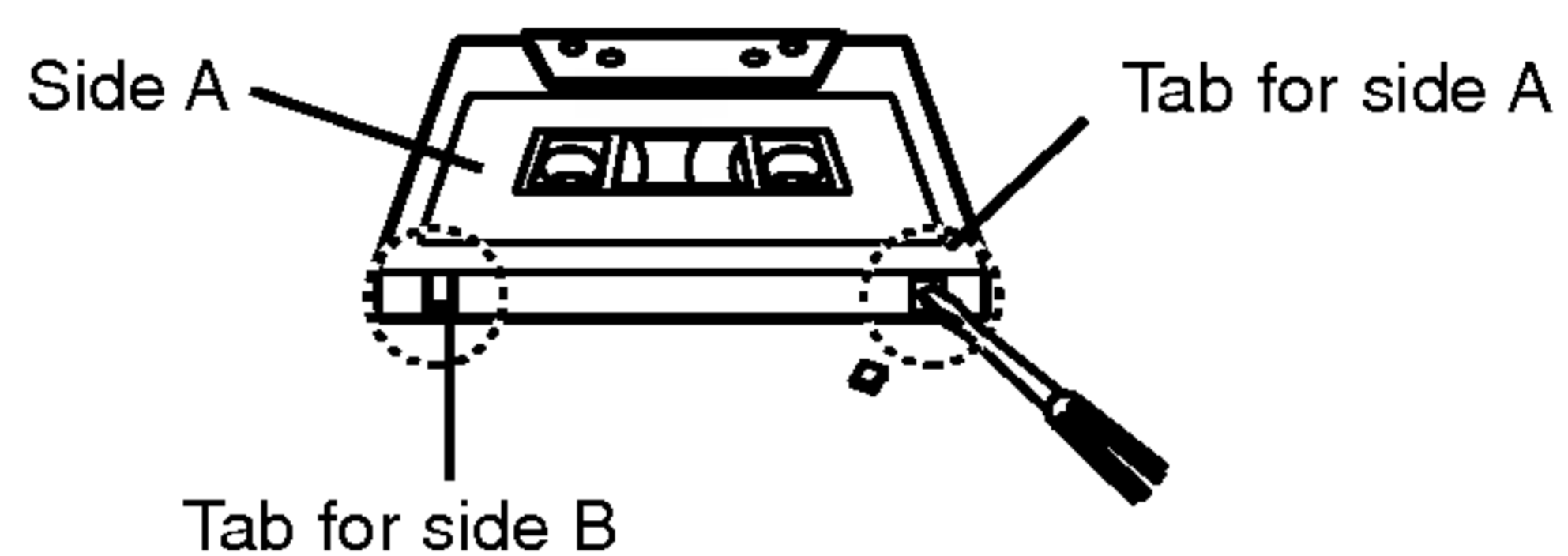


Do not use strong solvents such as alcohol, benzene, thinner, commercially available cleaners, or anti-static spray intended for older vinyl records.

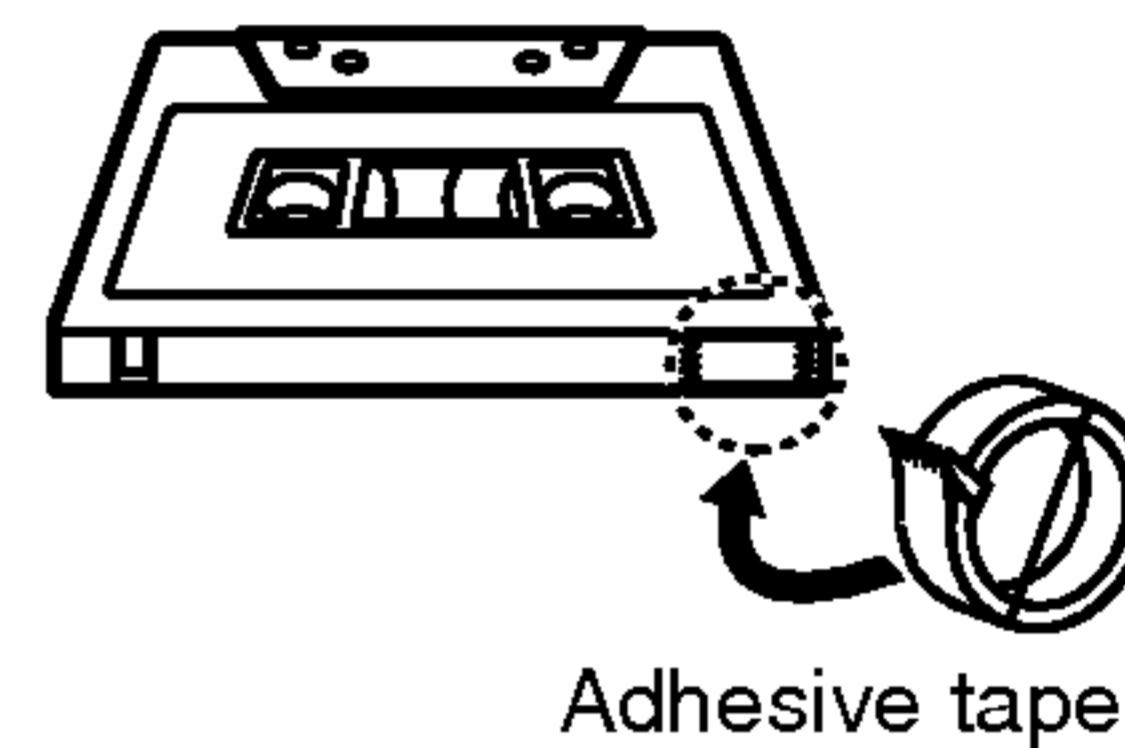
Notes on Tapes

Preventing record

Removing the tab(s) of the cassette (with a small screwdriver) will prevent accidental erasure.



To record again, cover the hole of the tab with adhesive tape.



Shipping the Unit

The original shipping carton and packing materials can come in handy. For maximum protection, re-pack the unit as it was originally packed at the factory if you need to ship it.

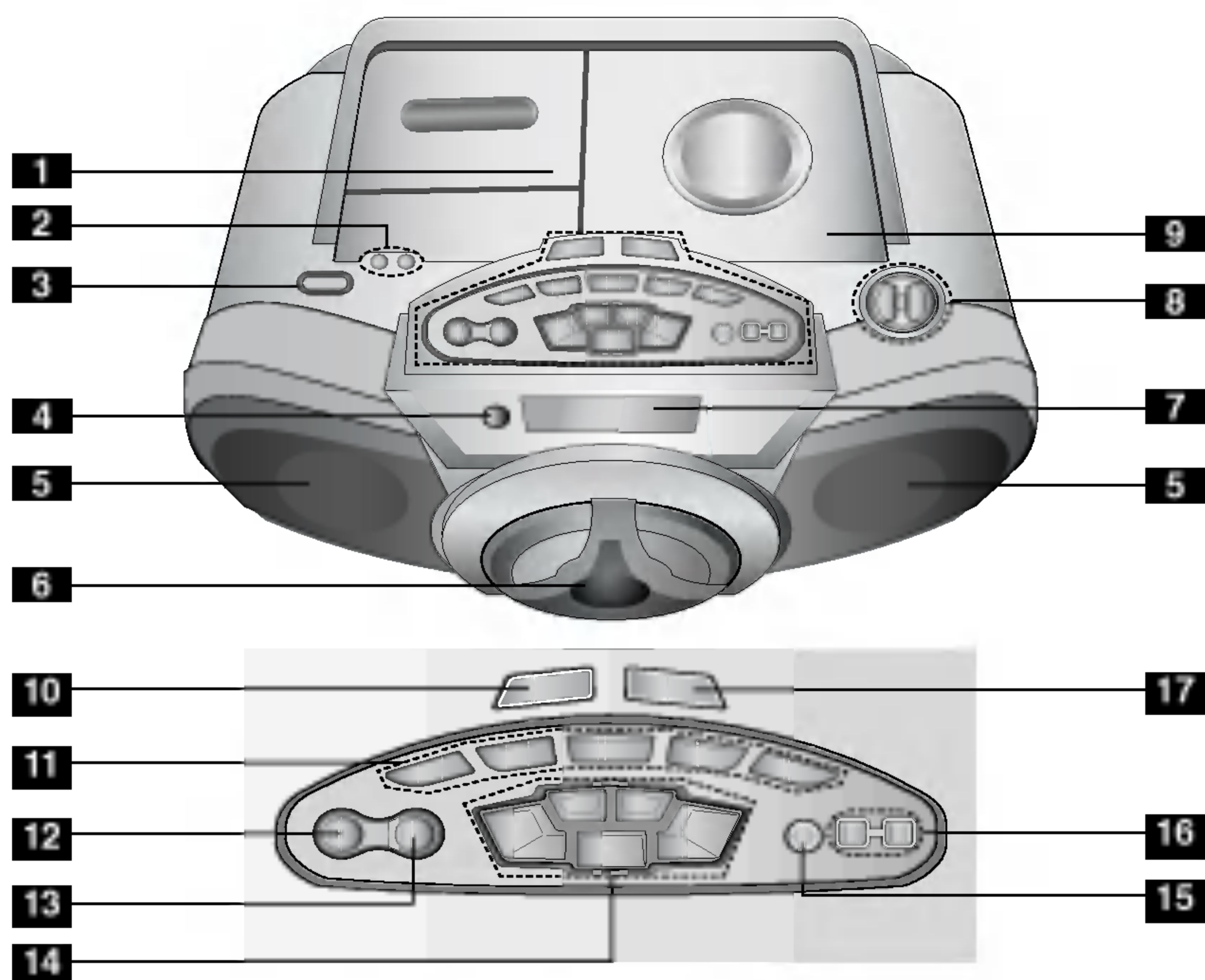
Cleaning the Unit

Use a soft, dry cloth when cleaning the player. If the surfaces are extremely dirty, use a soft cloth lightly moistened with a mild detergent solution.

Never use strong solvents, such as alcohol, benzene, or paint thinner. These might damage the surface of the unit.

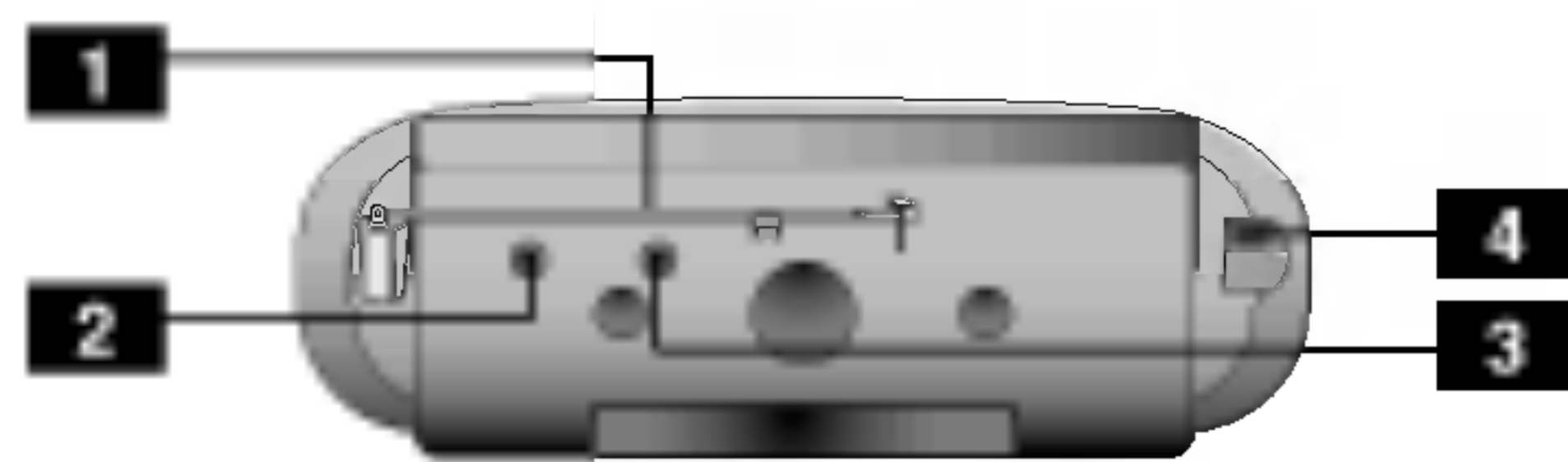
Do not use volatile liquids, such as insecticide spray, near the unit. Do not leave rubber or plastic products in contact with the unit for a long period of time. They will leave marks on the surface.

Front Panel



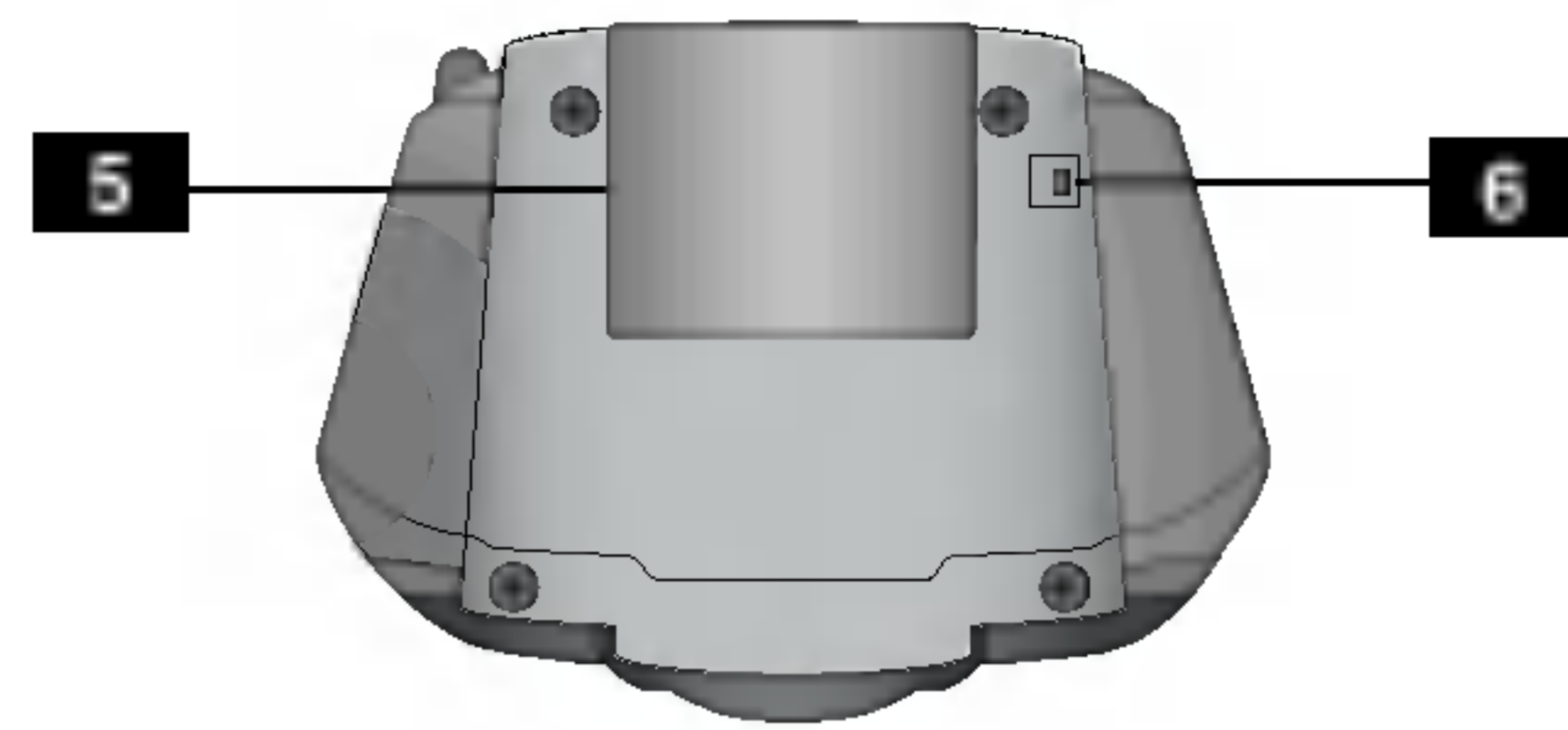
- | | |
|---|---|
| 1 TAPE DOOR (▲ PUSH EJECT) | 12 RECORD/RECORD PAUSE (REC/PAUSE) button |
| 2 • CLOCK button
• ⏰ TIMER button | 13 PROGRAM/MEMORY (PROG./MEMORY) button |
| 3 POWER (⏻ STANDBY/ON) button | 14 • TUNING/TIME(-/+), CD SKIP/SEARCH (-/+), TAPE REWIND/FAST FORWARD (⏮ ⏪ / ⏩ ⏭) buttons |
| 4 REMOTE SENSOR | • PRESET(UP/DOWN), CD PLAY (▶) , TAPE PLAY (▶) [TAPE REVERSE PLAY (◀)button: LPC-LM445A/X] buttons. |
| 5 LEFT/RIGHT SPEAKER | • STOP (■)/CLEAR button |
| 6 SUBWOOFER | 15 FM MODE/RIF/REPEAT button |
| 7 LCD (DISPLAY WINDOW) | 16 • SET/CD(⏸) button |
| 8 VOLUME (◀/▶) button | • TAPE MODE button : LPC-LM445A/X |
| 9 CD OPEN/CLOSE (▲ PUSH EJECT) button | • COUNTER RESET (COUNT. RESET) button |
| 10 POWER WOOFER button | 17 XDSS button |
| 11 • TAPE button
• CD button
• TUNER/BAND button
• CD SYNC. button
• TAPE SPEED button | |

Rear Panel



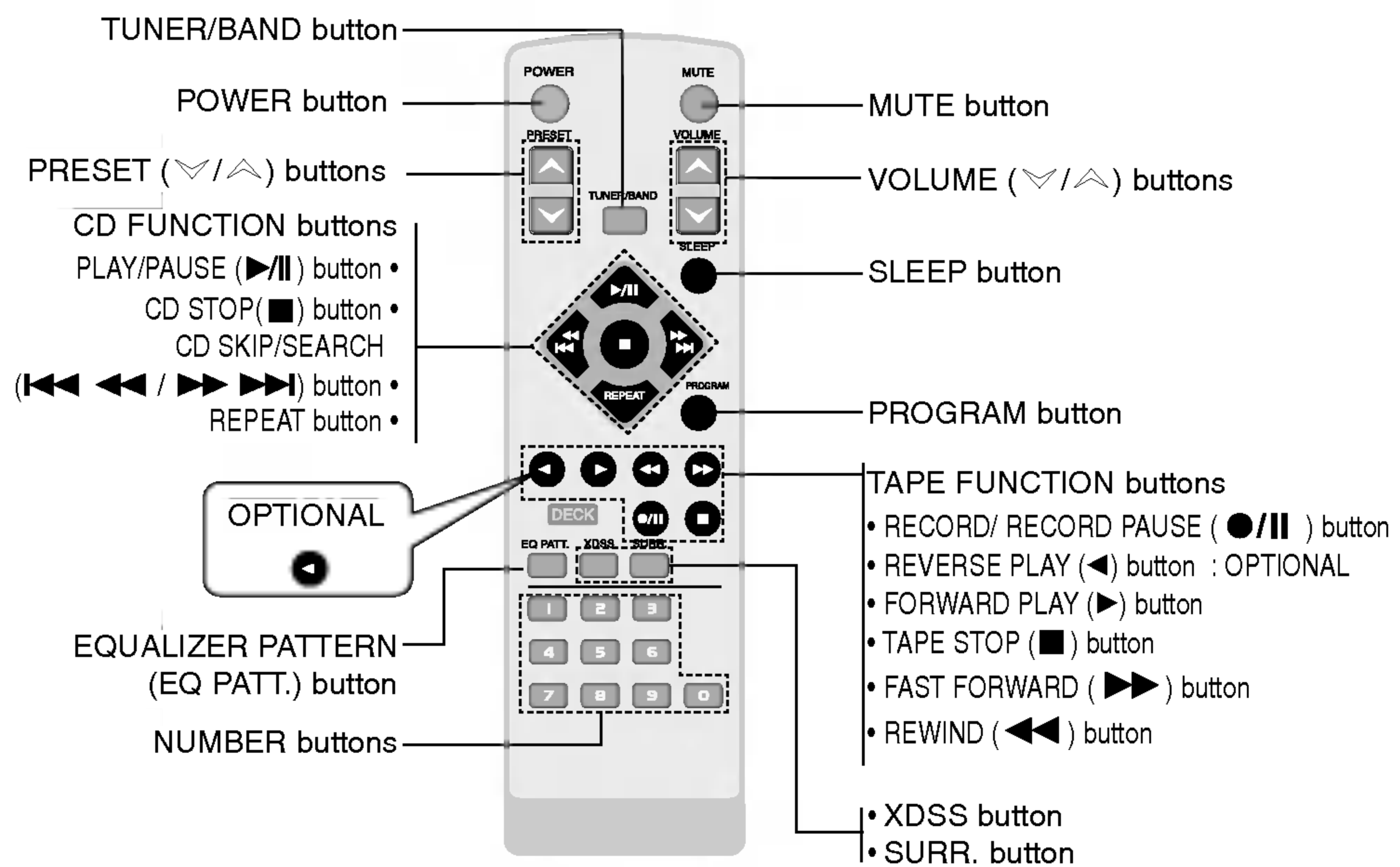
- 1** FM ANTENNA
- 2** MICROPHONE SOCKET - \varnothing 3.5mm. (OPTIONAL)
- 3** HEADPHONE SOCKET (PHONES) - \varnothing 3.5mm.
- 4** AC POWER INPUT SOCKET

Bottom Panel



- 5** BATTERY COMPARTMENT
- 6** VOLTAGE SELECTOR : OPTIONAL

Remote Control



2 Installation

The AC Power Cord Connection

1. Before connecting the AC power cord, check that the operating voltage of your unit is identical with the voltage of your local power supplied.
2. Connect one end of the AC power cord (supplied) to the AC IN socket located at the backside of your unit.
3. Plug the other end into the wall outlet.



NOTE

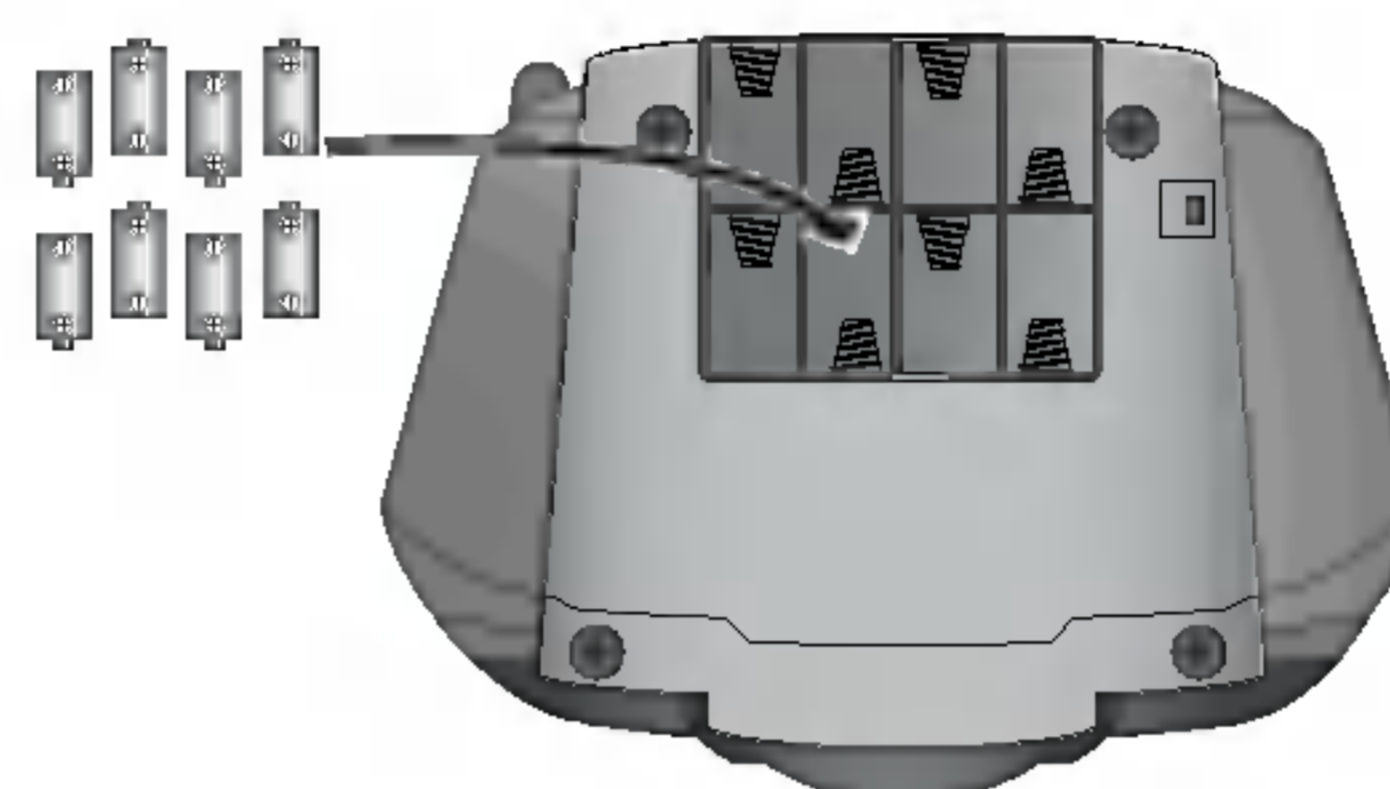
Unplug the AC power cord from the wall outlet if you do not use for an extended period of time.

Adjusting the voltage (OPTIONAL)

If your unit is equipped with a voltage selector at the bottom side, be sure to set it to your local power supplied before connecting the AC power cord.

Battery Installation

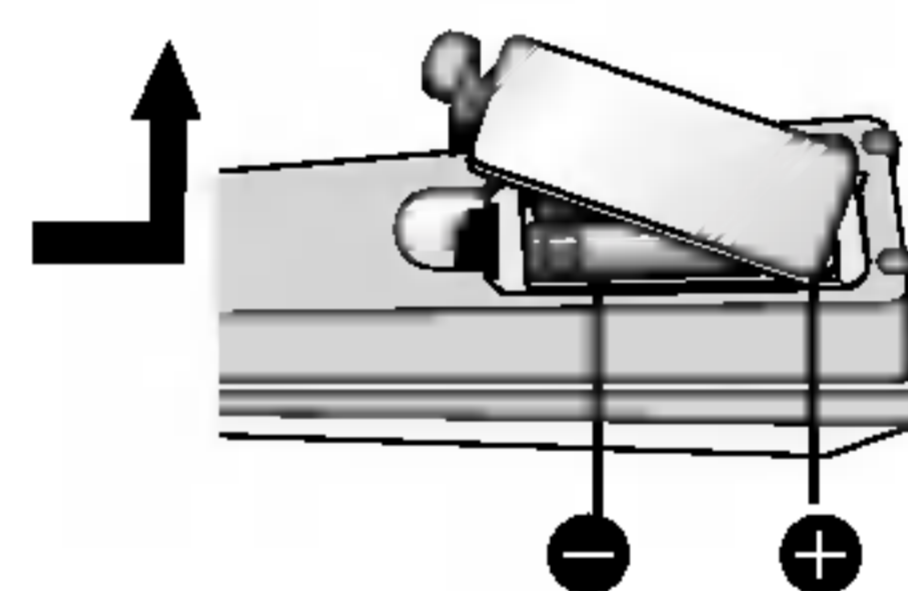
Unit



1. Press and open the battery cover.
2. Put eight "D" (R20) batteries into the compartment making sure the + and - are correctly positioned.
3. Close the battery cover.

Remote Control

1. Detach the battery cover on the rear of the remote control.
2. Insert two R03 (size AAA) batteries with + and - aligned correctly.



3. Close the battery cover.

NOTES

- To avoid damage from possible battery leakage, remove the batteries if you do not plan to use the unit for an extended period of time.
- When the batteries are weak, replace all the batteries with new ones.
- During the AC power cord connect to the wall outlet, the batteries are not worn out.
- You can not turn on this unit using the remote control when this unit is used DC batteries. You must use \odot STANDBY/ON button on the front panel.
- When the subwoofer is on, DC Battery can be dwindled more quickly.

Sound Adjustment

Volume Adjustment

Press VOLUME (Unit:▶, Remote control: ^) to increase the sound level, or press the VOLUME (Unit:◀, Remote control: v) to decrease it.

Sound Quality Adjustment

You can choose between 4 fixed sound impressions.

Select a desired sound mode by using EQ PATT. button on the remote control.

FLAT	: linear frequency response
ROCK	: more bass, more treble
POP	: less bass, less treble
CLASSIC	: for orchestral music

MUTE

Press **MUTE** to mute your unit.

You can mute your unit in order, for example, to answer the telephone, "MUTE" indicator flashes in the display window.

SURROUND ON/OFF

You can choose surround sound mode or turn it off by pressing SURROUND (SURR.).

XDSS (Extreme Dynamic Sound System)

Press XDSS to reinforce treble, bass and the surround effect. The "XDSS" indicator lights. To cancel, press XDSS again.

Using the subwoofer

You can use the sound of subwoofer to suit the sound source.

Press POWER WOOFER button repeatedly to select the sound mode you want.

The "P.WOOFER" indicator lights. To cancel, press POWER WOOFER again.

Adjusting Tape speed

Select the tape speed (-10%/ 0 /+10%) you want by adjusting TAPE SPEED switch during the tape playback.

Headphone Socket

Connect a stereo headphone plug (∅ 3.5mm) into the headphone jack.

The speakers are automatically disconnected when you plug in the headphones (not supplied).

Microphone Socket (OPTIONAL)

Connect a microphone plug (∅ 3.5mm) into the microphone jack (not supplied).

- You must use Dynamic microphone (not supplied).
- this unit is not a possibility of using the other microphone.

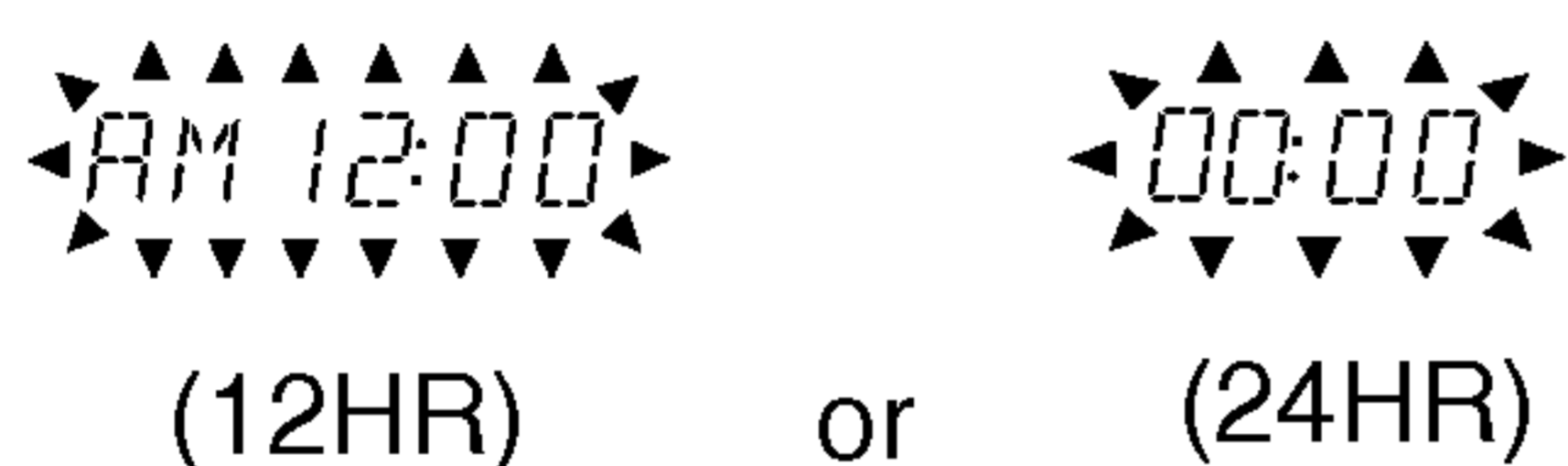
3 Operation

Auto Function Selection

- If you press CD PLAY/ PAUSE (▶/||) during listen to the radio, CD playback will begin.
- If you press PRESET (▼/▲) or TUNER/ BAND during CD or CASSETTE play, radio function will work.

Setting the Clock

1. Press CLOCK.
(If the clock is requires setting, press and hold CLOCK for more than 2 seconds.)
2. Select a 24 hour cycle or 12 hour cycle by pressing TUNING/TIME (-/+).



3. Press SET to confirm the selected hour cycle.
4. Use TUNING/TIME (-/+) to set the correct hours.
5. Press SET.
6. Use TUNING/TIME (-/+) to set the correct minutes.
7. Press SET and the correct time is shown on the display.
8. Press CLOCK at any time to display the time for about 5 second.

Using the Sleep Function

When the sleep timer is used, the power is automatically turned off after the specified time has elapsed.

1. To specify the time delay before the power is turned off, press SLEEP.
In the display window you can see "SLEEP 90" for about 5 seconds. This means that the system turns off automatically after 90 minutes.
Each time the button is pressed the time interval before it turns off is reduced by 10 minutes. i.e. 80...70... etc.
Select the desired time to turn off.
2. To check the remaining time until the power is turned off.
While the sleep function is active press SLEEP briefly. The time remaining until it turns off is displayed for about 5 seconds.

NOTE

If you press SLEEP while the sleep time is displayed, the SLEEP time is reset.

To cancel the sleep timer mode

If you wish to stop the function, press the SLEEP button repeatedly until "SLEEP 10" appears, and then press SLEEP once again while "SLEEP 10" is displayed.

Using Microphone (OPTIONAL)

You can sing to a music source by connecting a microphone to unit.

1. Connect your microphone (not supplied) to the MIC socket.
2. Play a music you want.
3. Sing along with the accompaniment.

For your reference

You can record during using microphone.
Refer to the "Recording" explanation section.

Timer

- This function is automatically turned on and off at the time you want.
 - Select your desired radio station, press CD button and load a disc or press TAPE button and insert a TAPE.
1. Press CLOCK to check the current time.
For your reference
If you don't set clock, timer function doesn't work.
 2. Press \odot TIMER to enter the timer setting mode. TUN-CD-TAPE flashes in the display window in turn.
For your reference
 - If you want to correct the previous memorized TIMER setting, press and hold the TIMER button more than 2 seconds.
 - The previous memorized timer on time and TIMER indicators appear in the display window.
 3. Press SET when the desired function is flashing.
 4.
 - a. When you select the TUNER(TUN) function, "PLAY" and "REC" indicator flash in the display window alternately for about 3 seconds.
"PLAY" indicator : TUNER play only
"REC" indicator : TUNER play and recording
 - b. Press SET when the desired function is flashing.
 - c. Select the previous memorized preset number with TUNING/TIME (-/+) button and press SET.
 - "ON" indicator appears for about 0.5 seconds in the display window and then disappears.
 5. When you select the CD or TAPE function,
 - "ON" indicator appears for about 0.5 seconds in the display window and then disappears.
 5. Set the hour to switch on by pressing TUNING/TIME (-/+).
 6. Press SET to confirm the hour to switch on.
 7. Set the minute to switch on by pressing TUNING/TIME (-/+).
 8. Press SET to confirm the minute to switch on. "OFF" indicator appears for about 0.5 seconds in the display window and then disappears.
 9. Set the hour to switch off by pressing TUNING/TIME (-/+).
 10. Press SET to confirm the hour to switch off.
 11. Set the minute to switch off by pressing TUNING/TIME (-/+).
 12. Press SET.
 13. Adjust the volume level by pressing TUNING/TIME (-/+).
 14. Press SET.
"TIMER" appears in the display window and the timer setting has been completed.
 15. Switch the system off.
The selected function is automatically switched on and off at the time set.

To cancel or check the timer

Each time the \odot TIMER button is pressed you can select the timer set or cancel. You can also check the timer setting status.
To activate or check the timer, press the \odot TIMER button so that "TIMER" appears in the display window.
To cancel the TIMER, press the \odot TIMER button so that "TIMER" disappears in the display window.

Presetting the Radio Stations

You can preset 50 stations for FM and AM. Before tuning, make sure that you have turned down the volume to the minimum.

1. Press TUNER/BAND to select the frequency (FM or AM) you want. Every time you press this button, FM and AM changes alternately.
2. Select a station you want by pressing TUNING/TIME (-/+) buttons.
Tuning in manually
- Press TUNING/TIME (-/+) briefly and repeatedly.
Tuning in automatically
- Press TUNING/TIME (-/+) for more than 1 seconds. Scanning stops when the unit tunes in a stations.
3. Press PROG./MEMORY on the front panel. A preset number will flash in the display window.
4. Press PRESET (UP/DOWN:unit) or PRESET (∇/∧:remote control) to select the preset number you want.
5. Press PROG./MEMORY again. The station is stored.
6. Repeat steps 1 (or 2) to 5 to store other stations.

To delete all the memorized stations

Press and hold **PROG./MEMORY** on the front panel for about two seconds, "DEL" flash in the display window and then press **CLEAR** again, the stations are deleted.

For your reference

If all stations have already been entered, FULL message will appear in the display window for a moment and then a preset number will flash. To change the preset number, follow the steps 4-5.

To recall presets

Press and hold PRESET (UP/DOWN:unit) or PRESET (∇/∧:remote control) until the desired preset number appears or press it repeatedly.

Listening to the Radio

1. Press TUNER/BAND to select the frequency (FM or AM) you want. Every time you press this button, FM and AM changes alternately. The last received station is tuned in.
2. Press PRESET (UP/DOWN:unit) or PRESET (∇/∧: remote control) repeatedly to select the preset station you want.
- Each time you press the button, the unit tunes in one preset station at a time.
3. Adjust the volume by VOLUME (◀/▶:unit) buttons or VOLUME (∇/∧ :remote control) buttons repeatedly.

To listen to non-preset radio stations

- Use manual or automatic tuning in step 2.
- For automatic tuning, press and hold TUNING/TIME (-/+) on the front panel.

To turn off the radio

Press POWER(⏻ STANDBY/ON) to turn the unit off or select another function mode (CD or TAPE).

For your reference

- If an FM program is noisy
Press FM MODE/RIF so that "STEREO" disappears in the display window. There will be no stereo effect, but the reception will improve. Press FM MODE/RIF again to restore the stereo effect.
- When recording the MW(AM) broadcast, beat noises may occur. If it does, press FM MODE/RIF once.
- "kHz" flash in the display window.
- Adjust the antenna to get more clear reception.
- AM antenna
This antenna is built within the unit and rotate the unit for better reception.
- FM antenna
Pull the telescopic antenna out and adjust the angle and direction for better reception.

Tape Playback

Note: Use only normal tapes during playback.

Basic Playback

1. Press TAPE to select tape function.
("NO TAPE" appears in the display window.)
2. Open the cassette door by pushing TAPE DOOR (▲ PUSH EJECT) position.
3. Insert a cassette and close the TAPE.
4. Press TAPE PLAY (▶) [or TAPE REVERSE PLAY (◀): LPC-LM445A/X model only] button.

To Stop Play

Press STOP(■) during playback.

To Play Rewind or Fast Forward

After pressing (◀◀◀ / ▶▶▶) on the front panel or (◀◀ / ▶▶) on the remote control during playback, or stop, press PLAY(▶) at the point you want.

Auto Stop Deck : LPC-LM440A/X model only

After auto stop deck plays only front side, the unit stops automatically.

Auto Reverse Deck : LPC-LM445A/X model only

You can select direction of the cassette you want by pressing TAPE MODE.

Pressing	Display	Function
Once		After the cassette plays front or reverse (backward play) side, stops automatically.
Twice		After the cassette plays front and reverse side, stops automatically.
Three times		After the cassette plays six times repeatedly front and reverse side, stops automatically.

Local Repeat

1. Press REPEAT button during TAPE playback.
-The local repeat starting point is set.
2. Press REPEAT button once during TAPE playback.
- The local repeat ending point is set.
- "TP A-b" appears in the display window.
- This function repeats three.

NOTE

If you set local repeat within 3 seconds (after setting the local repeat starting point), is not operated.

Tape Recording

Wind the tape to the point recording starts.

Note: Use only normal tapes.

Basic Recording

1. Select the function (CD or TUNER/ BAND) you want to record.
2. Open the cassette deck and insert a blank cassette into the cassette compartment.
To set the recording direction.
Press TAPE MODE repeatedly to set the recording direction. (LPC-LM445A/X model only)

Recording from Radio or CD

1. Press REC/PAUSE on the front panel or the remote control and then select the CD or TUNER function.
"●REC" flashes and holds the cassette in pause mode.
2. Press REC/PAUSE or PLAY(▶) on the front panel or the remote control.
The recording begins.

To pause recording

Press REC/PAUSE during recording.

- "●REC" flashes in display window.

To stop recording

Press TAPE STOP(■).

CD to Tape Synchronized Recording

The CD synchro recording function dubs a complete CD and programmed titles automatically into a cassette.

1. Press CD SYNC. in stop mode.
"●REC" flashes and "CD SYNC" displays in the display window.
2. The synchronized recording is started automatically after about 8 seconds.

NOTES

- If you wish to record from the desired track, select the desired track with CD SKIP/ SEARCH (-/+) before commencing CD synchro recording.
- The function change is not possible during recording.

CD Playback

Basic Playback

1. Press CD button to select CD function.
2. Press CD OPEN/CLOSE (▲ PUSH EJECT) to open the disc compartment.
3. Load a disc with the printed side facing up and Close the disc compartment.
The total track number and playing time will be shown in the display.
4. Press PLAY button (▶:unit) or CD PLAY/PAUSE (▶/||:remote control) button to begin play.

Pause Playback

Press CD PAUSE (CD||:unit) or CD PLAY/PAUSE (▶/||:remote control) button to pause during playback. Press CD PLAY/ PAUSE button again to resume play.

Stop Playback

Press STOP/CLEAR (■ :unit) or CD STOP (■ :remote control) button during playback.

Skipping a Track

- Press CD SKIP/SEARCH (+) button to go to the next track.
- When CD SKIP/SEARCH (-) button is pressed once midway through a track, the player returns to the start of that track. When it is pressed again, a track is skipped each time the button is pressed.

Searching a Track

After pressing and holding CD SKIP/ SEARCH (-/+) button during playback, then release at the point you want.

NOTE

This function is not available to play a MP3 file.

Repeat

To play one track repeatedly
Press REPEAT button once during playback.
- "REPEAT 1" appears in the display.

To play all tracks repeatedly
Press REPEAT button again during playback.
- "REPEAT ALL" appears in the display.

To cancel repeat play
Press REPEAT button once more during playback.
- Repeat indicator disappears.

Program Play

You can arrange the order of the tracks on the discs and create your own program.
The program can contain up to 20 tracks.

Program Play (Audio CD)

1. Press PROG./MEMORY (unit) or PROGRAM (remote control) on the stop mode.
2. Press CD SKIP/SEARCH (-/+) buttons to select the track.
3. Press PROG./MEMORY (unit) or PROGRAM (remote control).
4. Repeat 2~3.
5. Press PLAY (▶:unit) or CD PLAY/ PAUSE (▶/||:remote control).

Program Play (MP3 File)

1. Press PROG./MEMORY (unit) or PROGRAM (remote control) on the stop mode.
2. Press CD SKIP/SEARCH (-/+) buttons to select a file.
3. Press PROG./MEMORY (unit) or PROGRAM (remote control).
4. Repeat 2~3.
5. Press PLAY (▶:unit) or CD PLAY/ PAUSE (▶/||:remote control).

To check program contents

Press PROG./MEMORY (unit) or PROGRAM (remote control) on the stop mode.

- Track and program number will be displayed.

To clear program contents

Press PROG./MEMORY (unit) or PROGRAM (remote control) on the stop mode. And then press STOP/CLEAR (■ :unit) or CD STOP (■ :remote control) button .

To add program contents

1. Press PROG./MEMORY (unit) or PROGRAM (remote control) repeatedly on the program stop mode until Track Number blinks.
2. Repeat 2~5 on above.

To modify program contents

1. Press the PROG./MEMORY (unit) or PROGRAM (remote control) to display program number you want to modify.
2. Repeat 2~4 on above.

4 Maintenance

About MP3

- An MP3 file is audio data compressed by using the MPEG1 audio layer-3 file-coding scheme. We call files that have the “.mp3” file extension “MP3 files”.
- The unit can not read an MP3 file that has not “.mp3” file extension.

About WMA

- An WMA file is a Microsoft audio compression technology.
- WMA(Windows Media Audio) offers double the audio compression of the MP3 format.

MP3/WMA Disc compatibility with this unit is limited as follows:

1. Sampling Frequency / 8 - 48kHz (MP3), 32 - 44.1 kHz (WMA)
2. Bit rate / 8 - 320kbps (MP3), 32 - 128kbps (WMA)
3. CD-R physical format should be “ISO 9660”

4. If you record MP3/WMA files using the software which cannot create a FILE SYSTEM, for example “Direct-CD” etc., it is impossible to playback MP3 files. We recommend that you use “Easy-CD Creator”, which creates an ISO9660 file system.
5. Even if the total number of files on the disc have more than 1000, it will only be shown up to 999.

About MULTI SESSION

- This function recognizes the multi session disc according to a disc of CD-ROM type.
- ex) If there are MP3/WMA files in the first session, the MP3/WMA file in the first session is only played.
If there are only MP3/WMA files in the whole session, all of the MP3/WMA files in the session are played. If there is Audio CD in the first session, only the Audio CD in the first session is played.

Troubleshooting

Symptom	Cause	Correction
No power.	• The power cord is disconnected.	• Plug the power cord into the wall outlet securely.
No sound.	• The power of the external source equipment is switched off.	• Switch on the external source equipment.
The unit does not start playback.	• No disc or tape is inserted.	• Insert a disc or tape.
	• An unplayable disc or tape is inserted.	• Insert a playable disc or tape.
	• The disc is placed upside down.	• Place the disc with the playback side down.
	• The disc is not placed within the guide.	• Place the disc on the disc tray correctly inside the guide.
The remote control does not work properly.	• The disc is dirty.	• Clean the disc.
	• The remote control is not pointed at the remote sensor of the unit.	• Point the remote control at the remote sensor of the unit.
	• The remote control is too far from the unit.	• Operate the remote control within about 23 ft (7 m).
	• There is an obstacle in the path of the remote control and the unit.	• Remove the obstacle.
	• The batteries in the remote control are exhausted.	• Replace the batteries with new ones.

5 Reference

Remote Control Operation Range

Point the remote control at the remote sensor and press the buttons.

Distance: About 23 ft (7 m) from the front of the remote sensor.

Angle: About 30° in each direction of the front of the remote sensor.

Specifications

SECTION		MODEL	LPC-LM440A/X LPC-LM445A/X
[General]	Power supply		Refer to the back panel of the unit.
	Power consumption		40W
	Mass		5.1kg
	External dimensions (W x H x D)		456 x 178 x 338 mm
	Output Power		5W X 2 , 10W
	Speakers		3.2Ω X 3
	Battery Operation		DC 12V, 8 "D"(R20) batteries (not supplied)
[CD]	Frequency response		100 - 18000 Hz
	Signal-to-noise ratio		65 dB
	T.H.D		0.5 %
[Tuner]	FM	Tuning Range	87.5 -108 MHz, 65 -74 MHz or 87.5 -108 MHz
		Intermediate Frequency	10.7 MHz
		Antenna	Telescopic antenna
	AM (MW)	Tuning Range	522~1611 kHz or 530~1610 kHz
		Intermediate Frequency	450 kHz
		Antenna	Ferrite bar antenna
[TAPE]	Recording System		4 Tracks 2 channel stereo
	Frequency Response		125 - 8000Hz
	Signal to Noise Ratio		40/45dB (REC/PLAY)

Designs and specifications are subject to change without notice.



P/NO : 3834RC0031C