



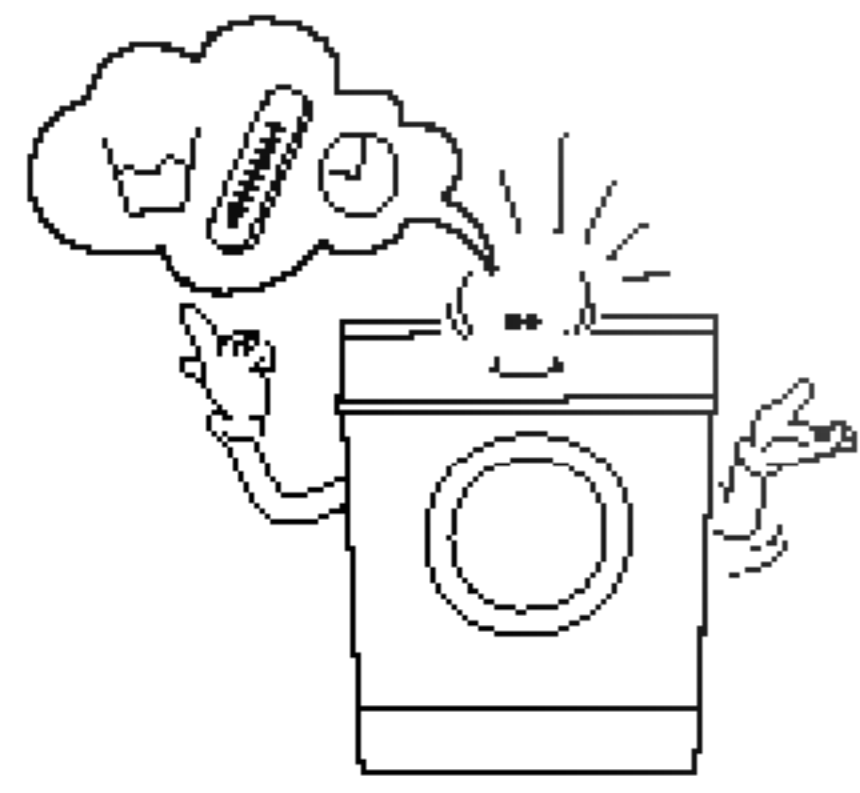
Washing Machine

OWNER'S MANUAL

MODEL: WD-8029(0 ~ 9)N(U)P
WD-8029(0 ~ 9)T(U)P
WD-1029(0 ~ 9)N(U)P
WD-1029(0 ~ 9)T(U)P
WD-8030(0/1)N(U)P
WD-8030(0/1)T(U)P
WD-1030(0/1)N(U)P
WD-1030(0/1)T(U)P

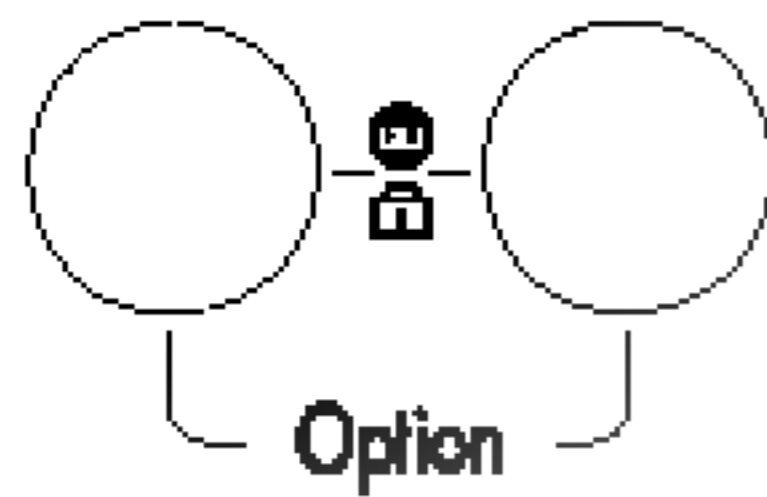
it provides
maintenance.

washing machine.



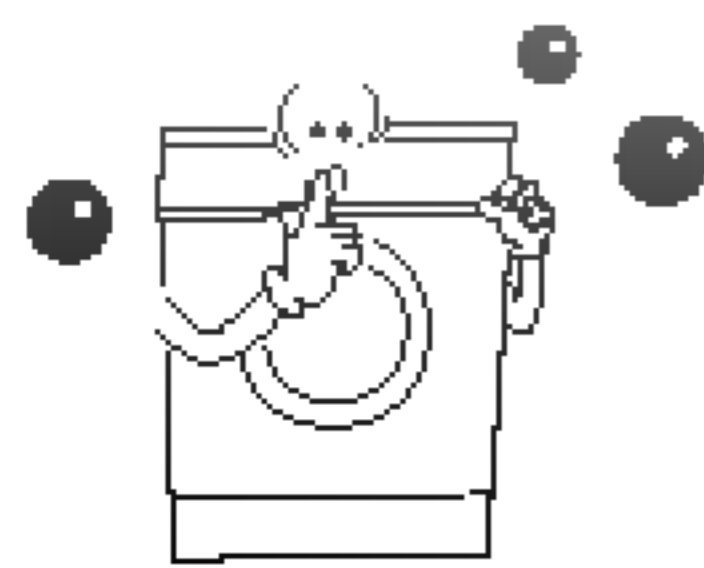
■ More economical by Intelligent Wash System

Intelligent Wash System detects the amount of load and water temperature, and then determines the optimum water level and washing time to minimize energy and water consumption.



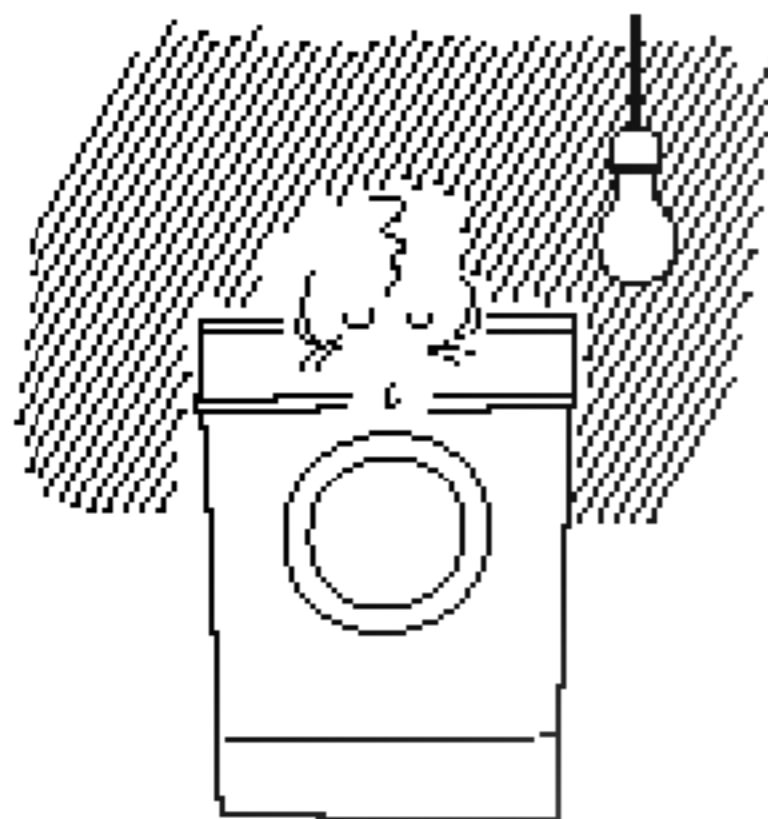
■ Child-Lock

The Child-Lock system has been used to prevent children from pressing any button to change the program during operation.



■ Low noise speed control system

By sensing the amount of load and balance, it evenly distributes load to minimize the spinning noise level.



■ Auto Restart

If the washing machine is turned off by a power failure, it will restart automatically from the position it stopped at adjusting accordingly.

Warnings	3
Specification	4
Installation	5
Care before washing	11
Adding detergent	12
Function	13
How to use washer	14
Maintenance	20
Troubleshooting guide	23
Terms of Warranty	26

READ ALL INSTRUCTIONS BEFORE USE



WARNING!

For your safety, the information in this manual must be followed to minimize the risk of fire or explosion, electric shock, or to prevent property damage, personal injury, or loss of life.

IMPORTANT SAFETY INSTRUCTIONS

WARNING: To reduce the risk of fire, electric shock, or injury to persons when using the washer, follow basic precautions, including the following:

- Do not install or store the washer where it will be exposed to the weather.
- Do not tamper with controls.
- Do not repair or replace any part of the washer or attempt any servicing unless specifically recommended in the user-maintenance instructions or published user-repair instructions that you understand and have the skills to carry out.
- Keep the area underneath and around your appliances free of combustible materials such as lint, paper, rags, chemicals, etc.
- Close supervision is necessary if this appliance is used by or near children.
- Do not allow children to play on, with, or inside this or any other appliance.
- Do not leave the washer door open.
- An open door could entice children to hang on the door or crawl inside the washer.
- Never reach into washer while it is moving. Wait until the drum has completely stopped.
- The laundry process can reduce the flame retardant of fabrics.
- Do not wash or dry articles that have been cleaned in, washed in, soaked in, or spotted with combustible or explosive substances (such as wax, oil, paint, gasoline, degreasers, dry-cleaning solvents, kerosene, etc.) which may ignite or explode.
- To avoid such a result, carefully follow the garment manufacturer's wash and care instructions.
- Do not slam the washer door closed or try to force the door open when locked. This could result in damage to the washer.
- To minimize the possibility of electric shock, unplug this appliance from the power supply or disconnect the washer at the household distribution panel by removing the fuse or switching off the circuit breaker before attempting any maintenance or cleaning.
- Never attempt to operate this appliance if it is damaged, malfunctioning, partially disassembled, or has missing or broken parts, including a damaged cord or plug.

* Do not push down the door excessively, when washer door open.
This could topple over the washer.

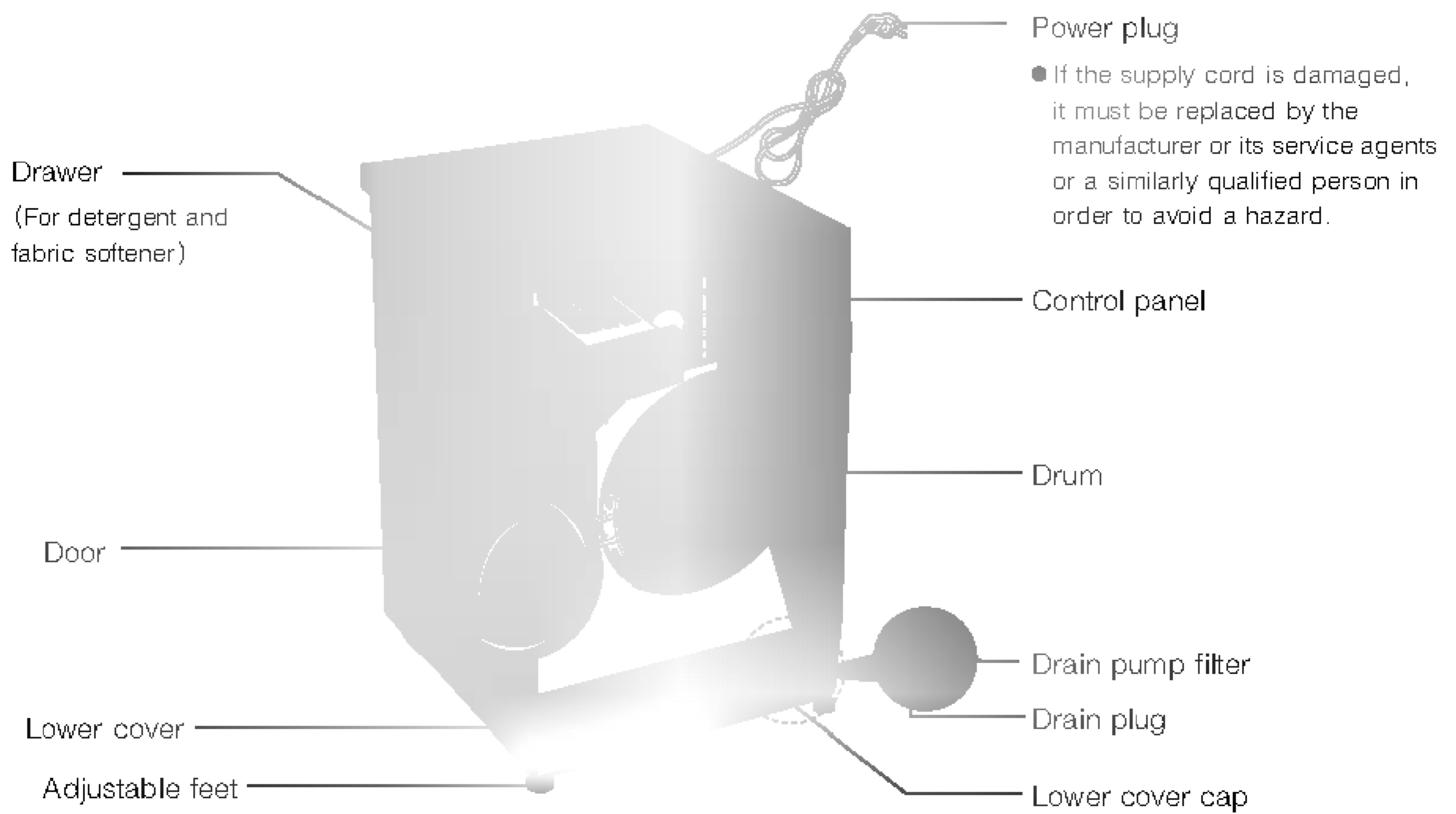
SAVE THESE INSTRUCTIONS

GROUNDING INSTRUCTIONS

This appliance must be grounded. In the event of malfunction or breakdown, grounding will reduce the risk of electric shock by providing a path of least resistance for electric current. This appliance is equipped with a cord having an equipment-grounding conductor and grounding plug. The plug must be plugged into an appropriate outlet that is properly installed and grounded in accordance with all local codes and ordinance.

- Do not use an adapter or otherwise defeat the grounding plug.
- If you don't have the proper outlet, consult an electrician.

WARNING: Improper connection of the equipment-grounding conductor can result in risk of electric shock. Check with a qualified electrician or serviceman if you are in doubt as to whether the appliance is properly grounded. Do not modify the plug provided with the appliance - if it does not fit the outlet, have a proper outlet installed by a qualified electrician.



MODEL	WD-8029(0~9)N(U)P/WD-1029(0~9)N(U)P/WD-8030(0/1)N(U)P/WD-1030(0/1)N(U)P/WD-6530(0/1)N(U)P	WD-8029(0~9)T(U)P/WD-1029(0~9)T(U)P/WD-8030(0/1)T(U)P/WD-1030(0/1)T(U)P/WD-6530(0/1)T(U)P
ITEM		
Power Supply	220-240V ~ , 50Hz	
Size (W) × (D) × (H)	600mm x 440mm x 850mm [WD-8029(0~9)N(U)P/WD-1029(0~9)N(U)P/WD-8030(0/1)N(U)P/WD-1030(0/1)N(U)P/WD-6530(0/1)N(U)P] 600mm x 550mm x 850mm [WD-8029(0~9)T(U)P/WD-1029(0~9)T(U)P/WD-8030(0/1)T(U)P/WD-1030(0/1)T(U)P/WD-6530(0/1)T(U)P]	
Max. Watt	2100W	
Weight	60kg	65kg
Wash Capacity	refer to the rating label	
Water Consumption	55L	59L
Permissible Water Pressure	0.3-10kgf/cm ² (30-1000kPa)	
Spin Speed	No Spin/400/500/600/800(rpm) [WD-8029(0~9)N(U)P/WD-8030(0/1)N(U)P/WD-8029(0~9)T(U)P/WD-8030(0/1)T(U)P] No Spin/400/600/800/1000(rpm) [WD-1029(0~9)N(U)P/WD-1030(0/1)N(U)P/WD-1029(0~9)T(U)P/WD-1030(0/1)T(U)P] No Spin/400/500/600/650(rpm) [WD-6530(0/1)N(U)P/WD-6530(0/1)T(U)P]	

Accessories



Inlet hose 1EA



Spanner

Install or store where it will not be exposed to temperatures below freezing or exposed to the weather. Properly ground washer to conform with all governing codes and ordinances.

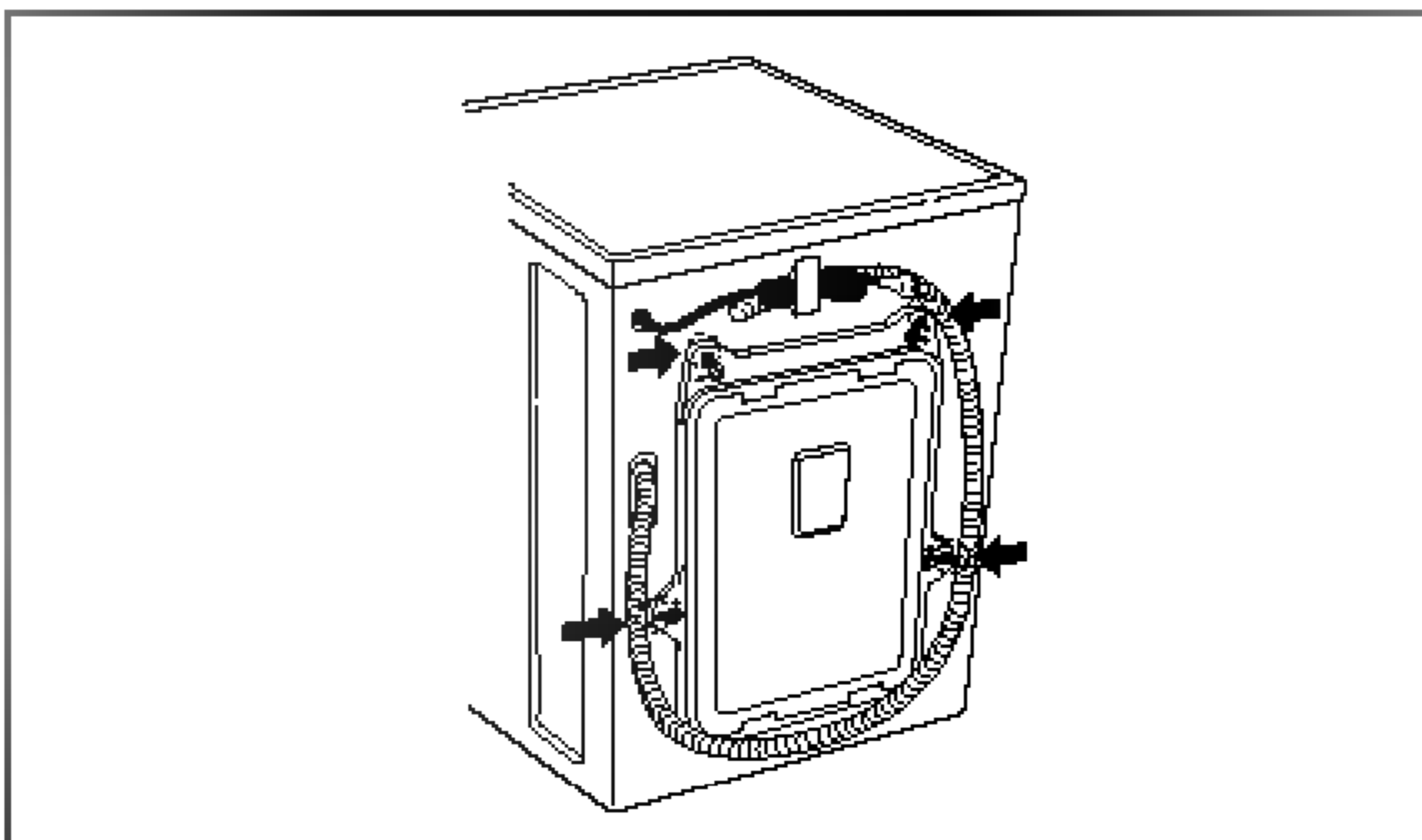
The base opening must not be obstructed by carpeting when the washing machine is installed on a carpeted floor.

In countries where there are areas which may be subject to infestation by cockroaches or other vermin, pay particular attention to keeping the appliance and its surroundings in clean condition at all times. Any damage which may be caused by cockroaches or other vermin will not be covered by the appliance guarantee.

■ Transit bolts

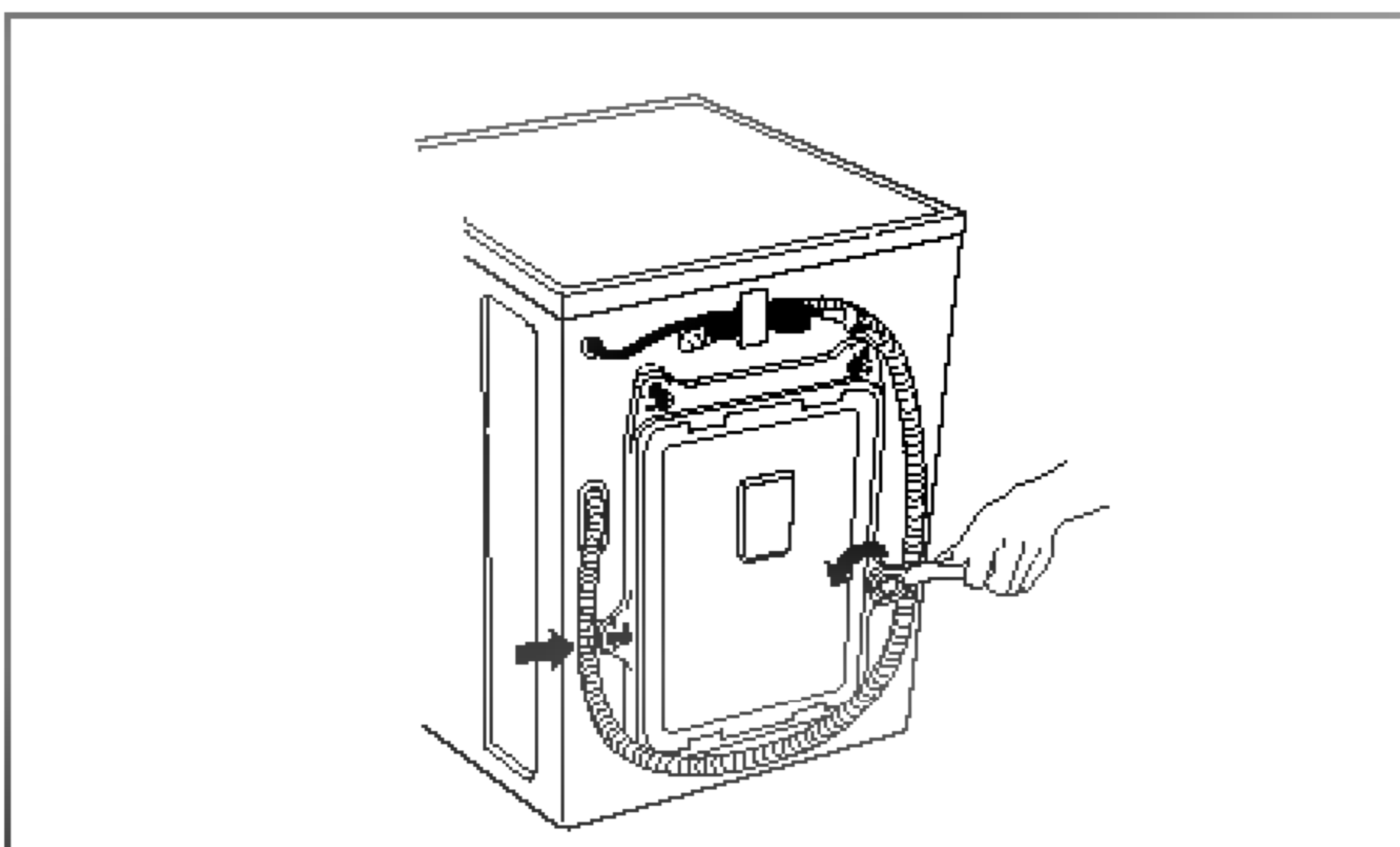
The appliance is fitted with transit bolts to prevent internal damage during transport.

■ Removing transit bolts

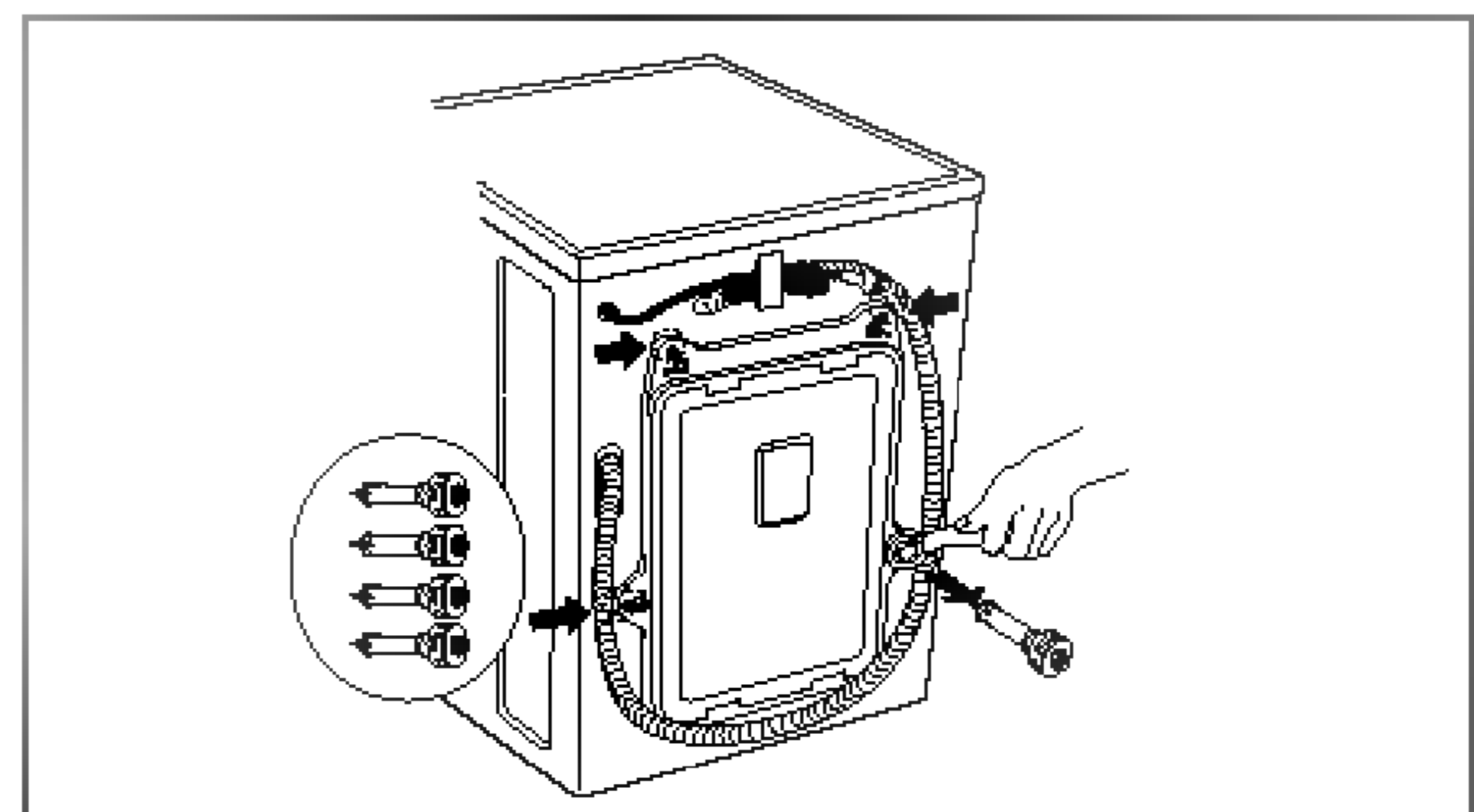


1. To prevent internal damage during transport, the special 4 bolts are locked. Before operating the washer, remove the bolts along with the rubber bungs.

- If they are not removed, it may cause heavy vibration, noise and malfunction.

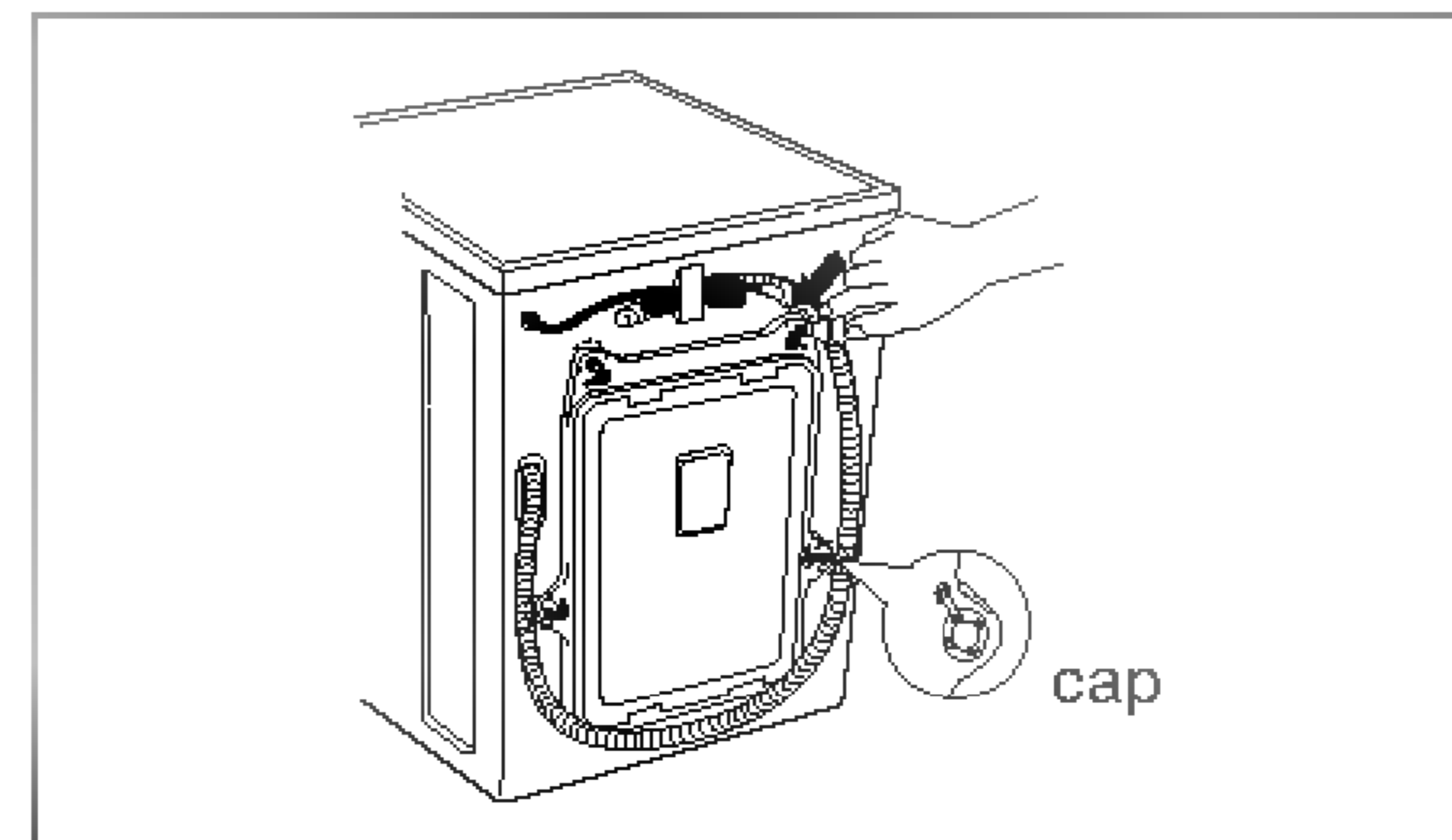


2. Unscrew the 4 bolts with the spanner supplied.



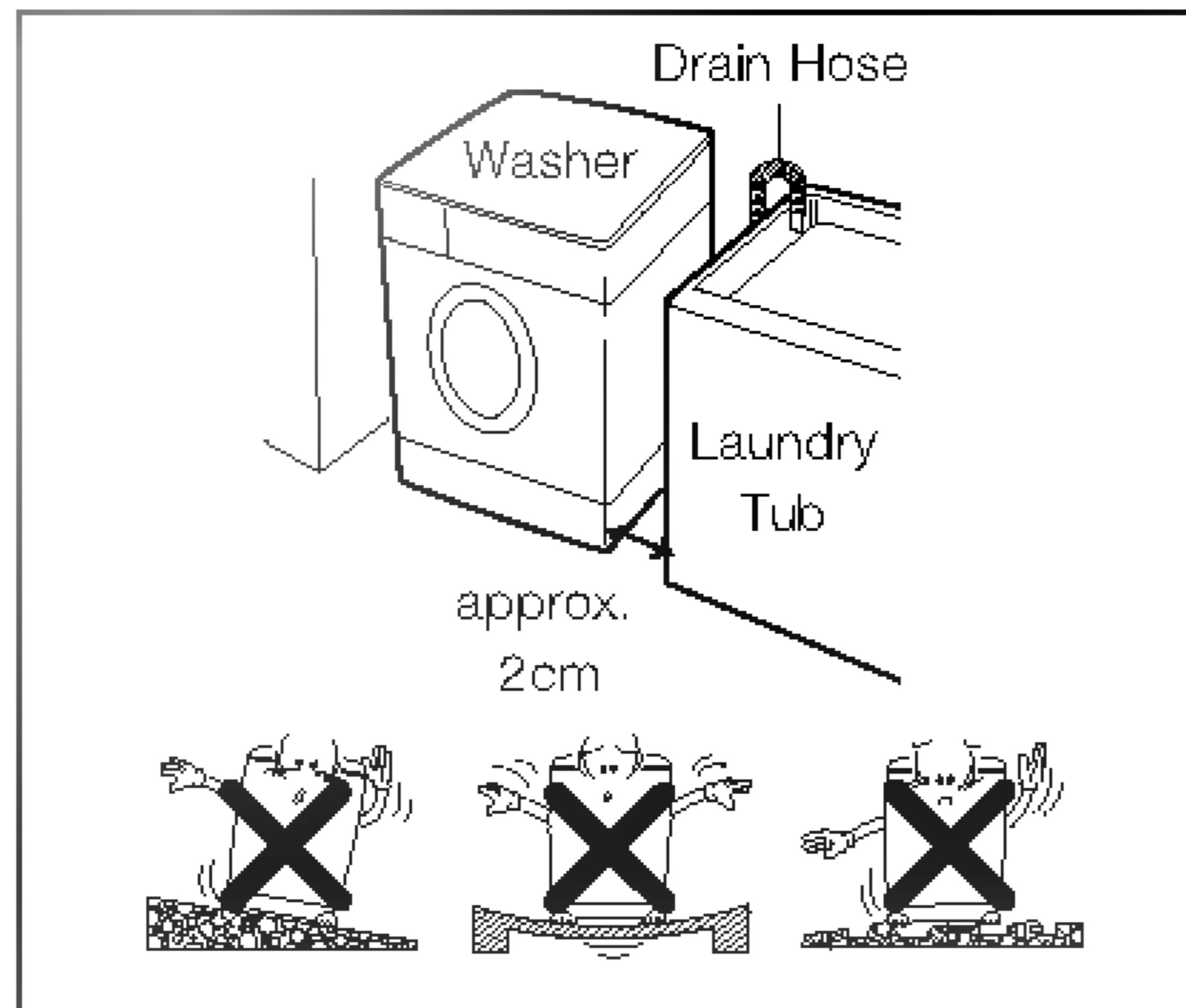
3. Take out the 4 bolts along with the rubber bungs by slightly twisting the bung. Keep the 4 bolts and the spanner for future use.

- Whenever the appliance is transported, the transit bolts must be refitted.



4. Close the holes with the caps supplied.

■ Installation place requirement



Level floor:

Allowable slope under entire washer is 1°.

Power outlet:

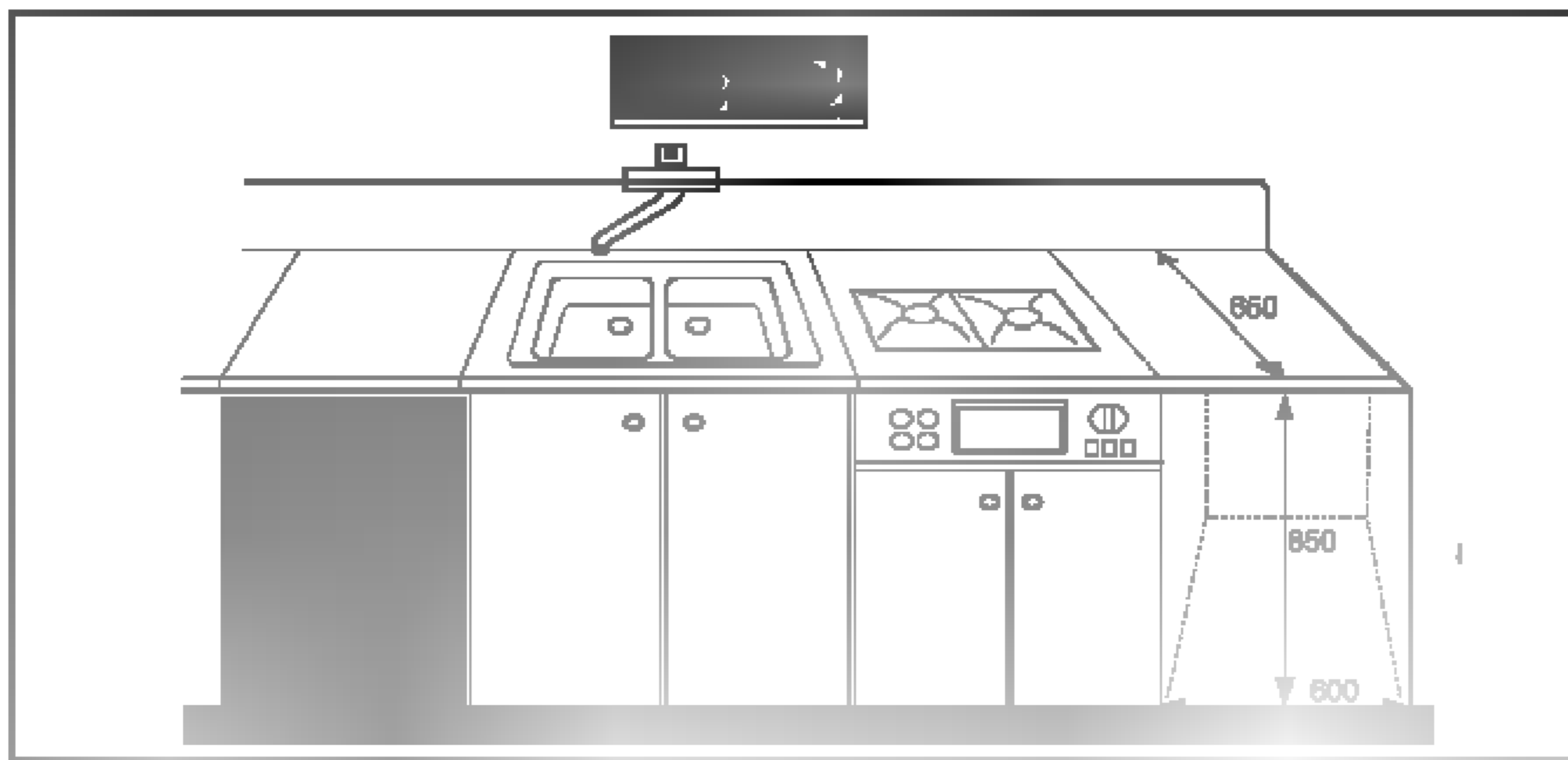
Must be within 1.5 meters of either side of location of washer. Do not overload the outlet with more than one appliance.

Additional Clearance:

For wall, door and floor modeling is required.
(10cm: rear/2cm: right & left side)

Do not place or store laundry products on top of washer at any times.

They can damage the finish or controls.



■ BS Plug Safety Details (For U. K. User)

IMPORTANT

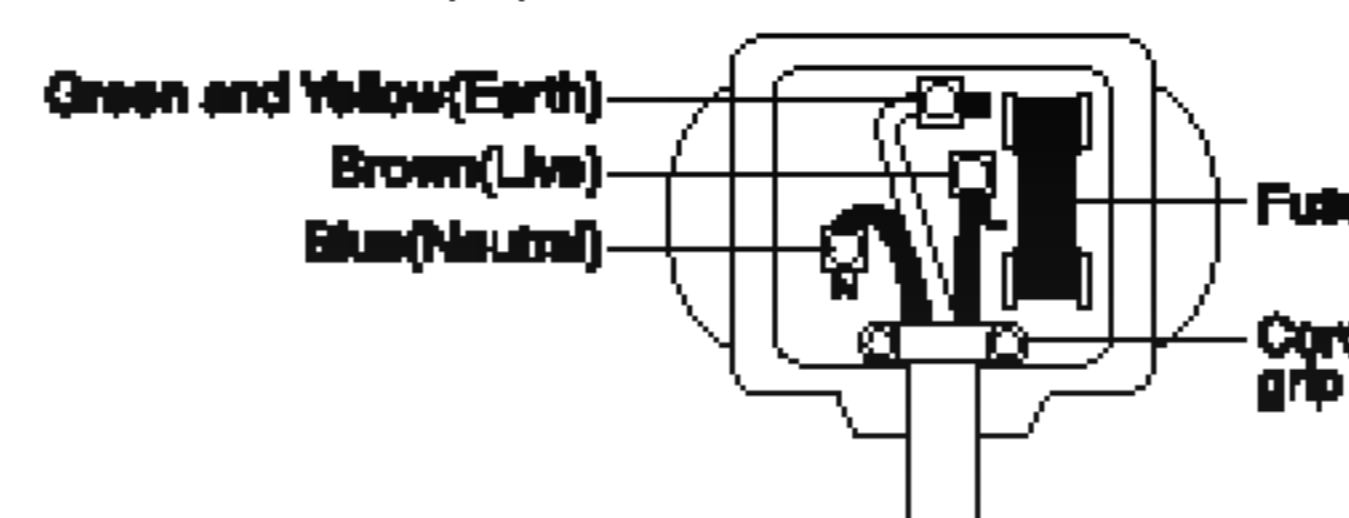
THE WIRES IN THIS MAINS LEAD ARE COLOURED IN ACCORDANCE WITH THE FOLLOWING CODE:

GREEN AND YELLOW: EARTH

BLUE: NEUTRAL

BROWN: LIVE

This appliance must be earthed



As the colours of the wires in the mains lead of this apparatus may not correspond with the coloured markings identifying the terminals in your plug, proceed as follows:

The wire which is coloured Green and Yellow must be connected to the terminal in the plug which is marked with the letter E or by the earth symbol \oplus or coloured Green or Green and Yellow.

The wire which is coloured Blue must be connected to the terminal which is marked with the letter N or coloured Black.

The wire which is coloured Brown must be connected to the terminal which is marked with the letter L or coloured Red.

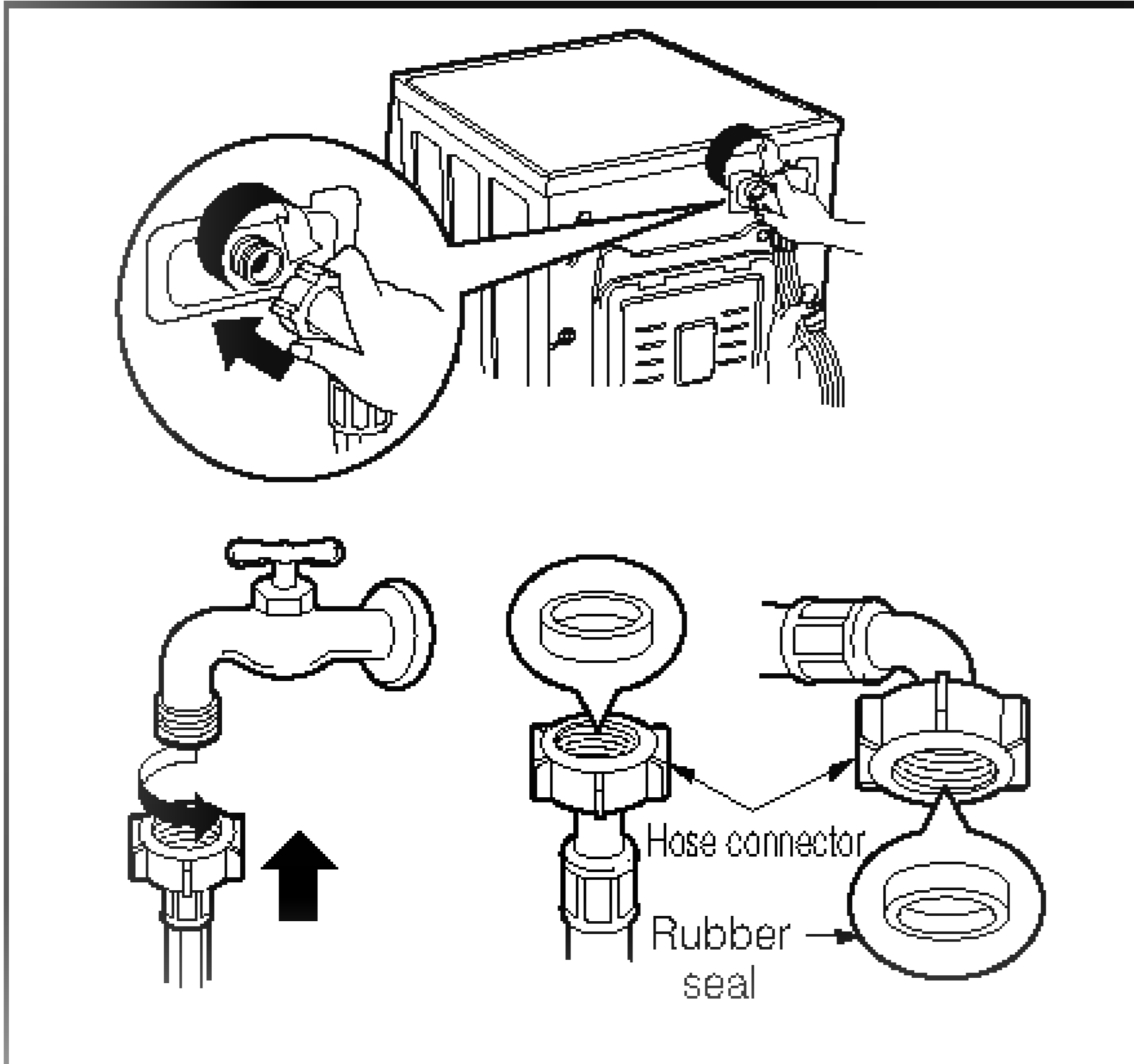
If a 13 amp (BS 1363) plug is used, fit a 13 amp BS 1362 fuse.

■ Electrical connection

1. Do not use an extension cord or double adapter.
 2. If the supply cord is damaged, it must be replaced by the manufacturer or its service agents or similarly qualified person in order to avoid a hazard.
 3. Always unplug the machine and turn off the water supply after use.
 4. Connect the machine to an earthed socket in accordance with current wiring regulations.
 5. The appliance must be positioned so that the plug is easily accessible.
- Repairs to the washing machine must only be carried out qualified personnel. Repairs carried out by inexperienced persons may cause injury or serious malfunctioning. Contact your local service center.
 - Do not install your washing machine in rooms where temperatures below freezing may occur. Frozen hoses may burst under pressure. The reliability of the electronic control unit may be impaired at temperatures below freezing point.
 - If the appliance is delivered in the winter months and temperatures are below freezing: Store the washing machine at room temperature for a few hours before putting it into operation.

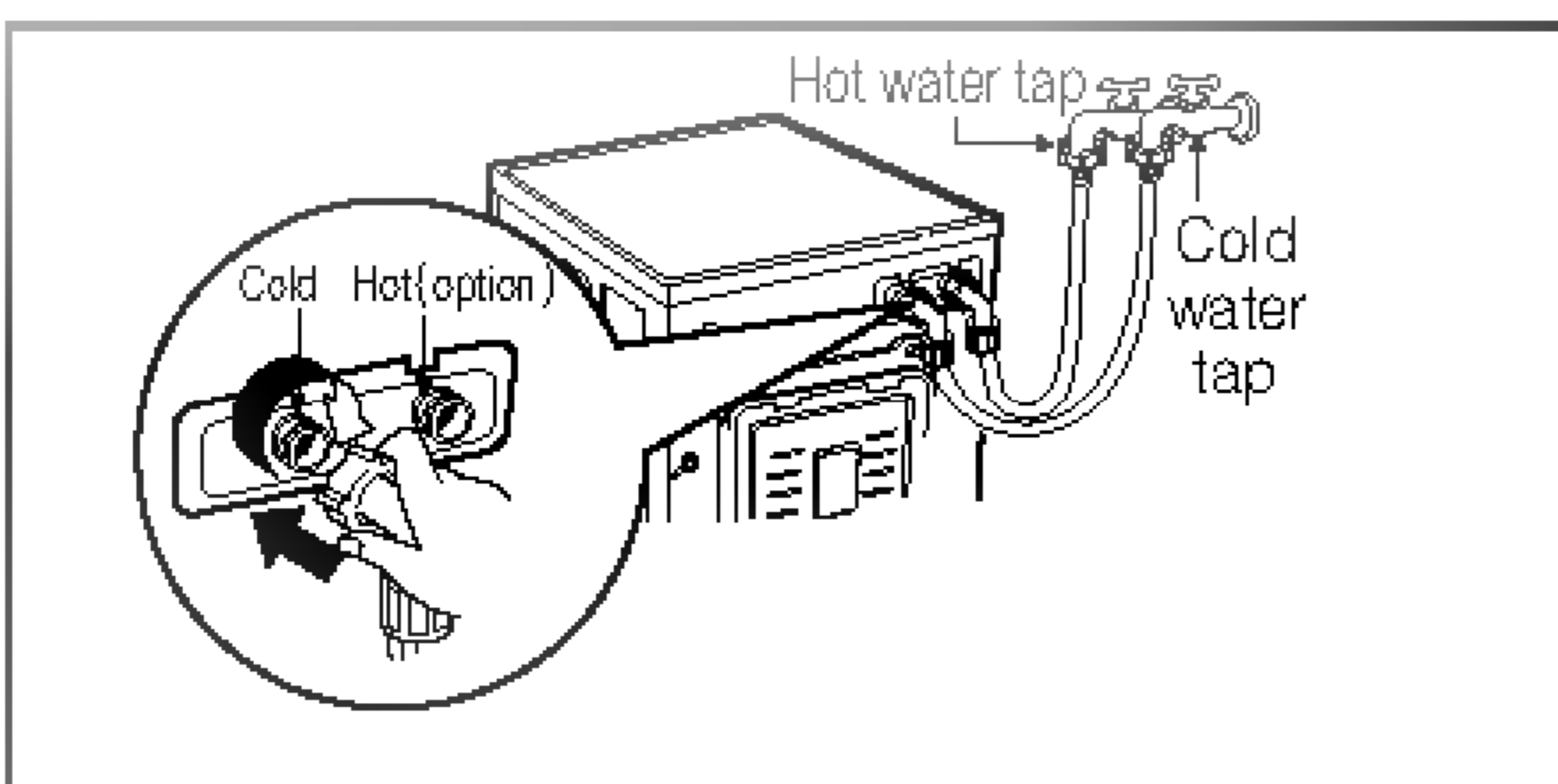
■ Washing Machine is to be connected to the water mains using new hose-sets and that old hose-sets should not be used.

■ Connecting water supply hose



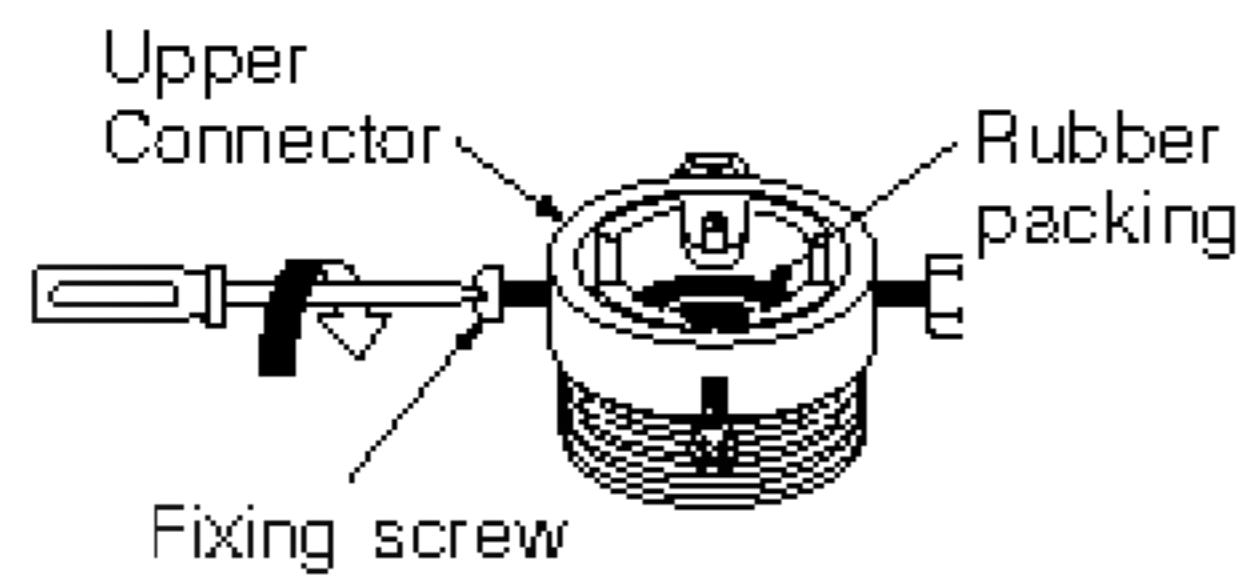
- ▶ *Water supply pressure must be between 30kPa and 1000kPa. (0.3 ~ 10kgf/cm²)*
- ▶ *Don't strip or crossthread when connecting Inlet hose to the valve.*
- ▶ *If the water supply pressure is more than 1000kPa, a decompression device should be installed.*

- Two rubber seals are supplied with the water inlet hoses these are in order to prevent water leaks.
- Check water tightness of washing machine connections by turning the tap completely on.
- Periodically check the condition of the hose and replace the hose if necessary.
- Make sure that there is no kink on the hose and that it is not crushed.
- ▶ *When your washer has two valves,*
- The inlet hose which has red connector is for the hot water tap.
- If the washer has two valves, the energy is saved by using hot valve.

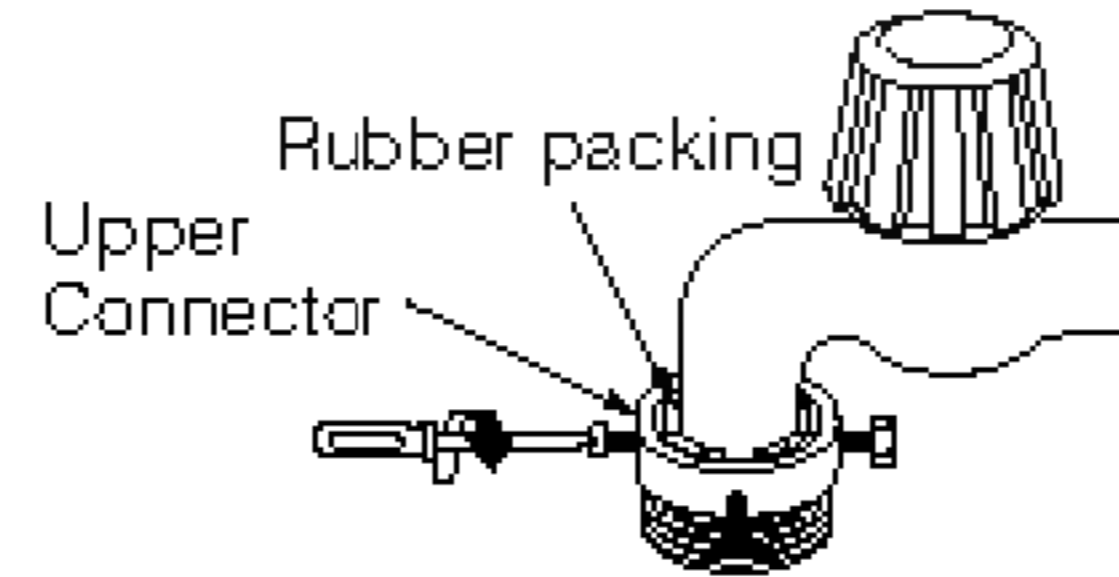


Normal Tap without thread & screw type inlet hose

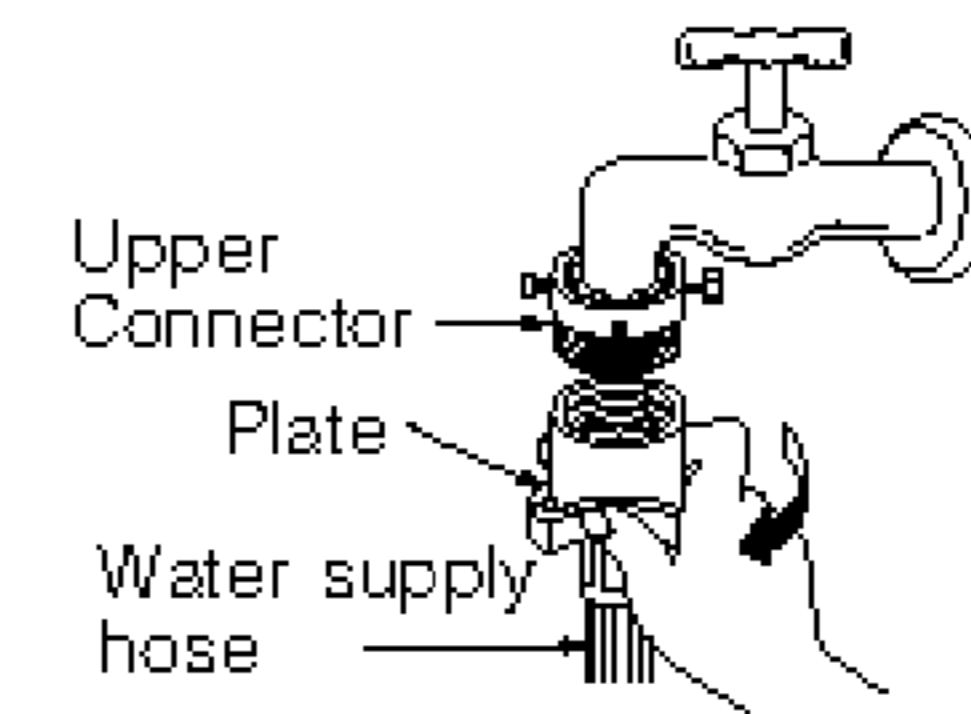
1. Unscrew the fixing screw to attach the tap.



2. Push the connector up till the rubber packing is in tight contact with the tap. Then tighten the 4 screws.

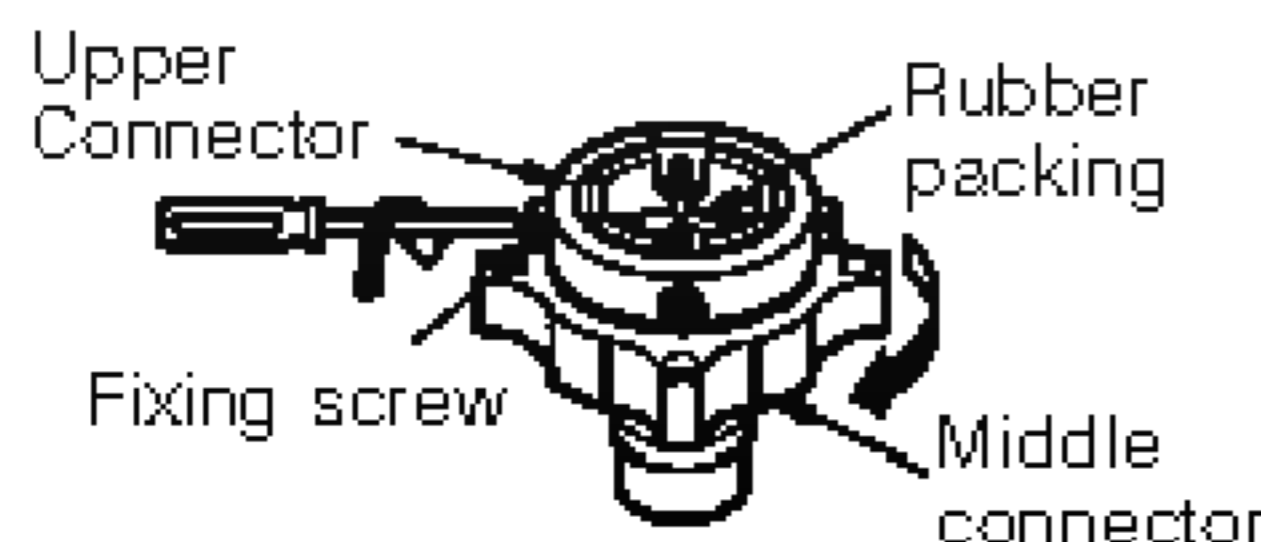


3. Push the water supply hose vertically upwards so that the rubber packing within in the hose can adhere completely to the tap and then tighten it by screwing it to the right.

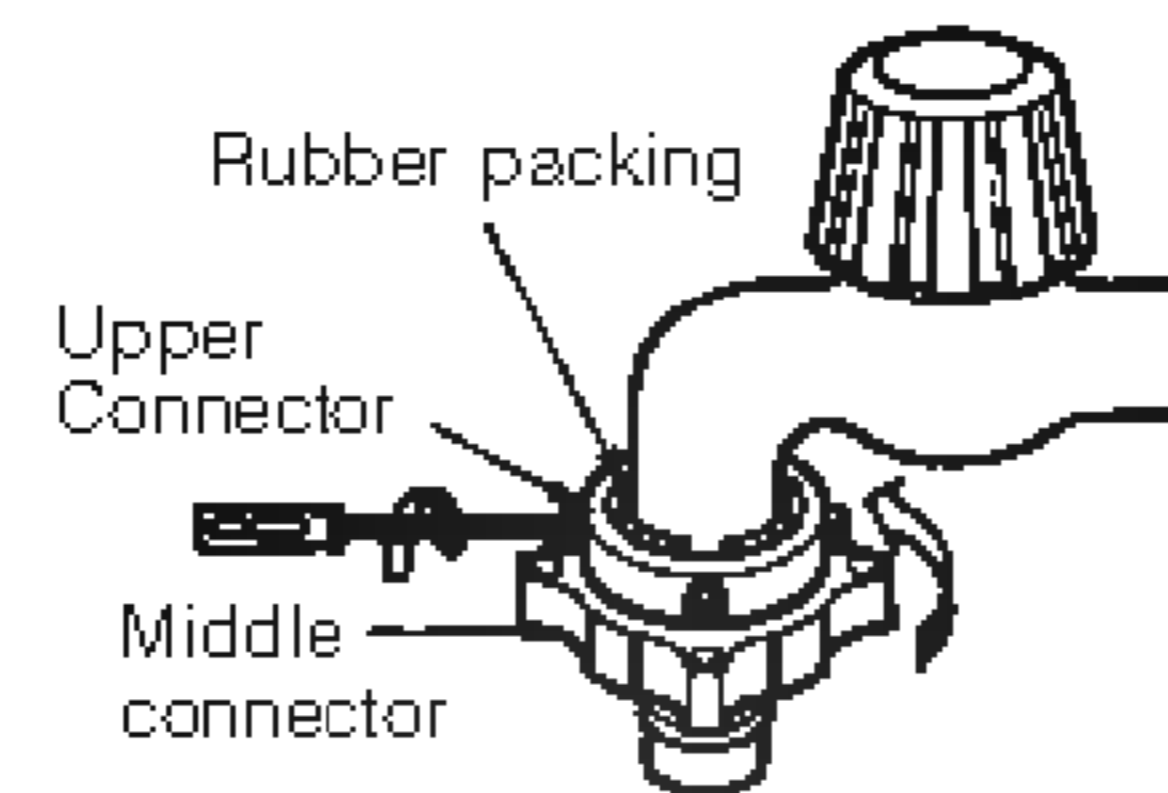


Normal Tap without thread & one touch type inlet hose (Single inlet models)

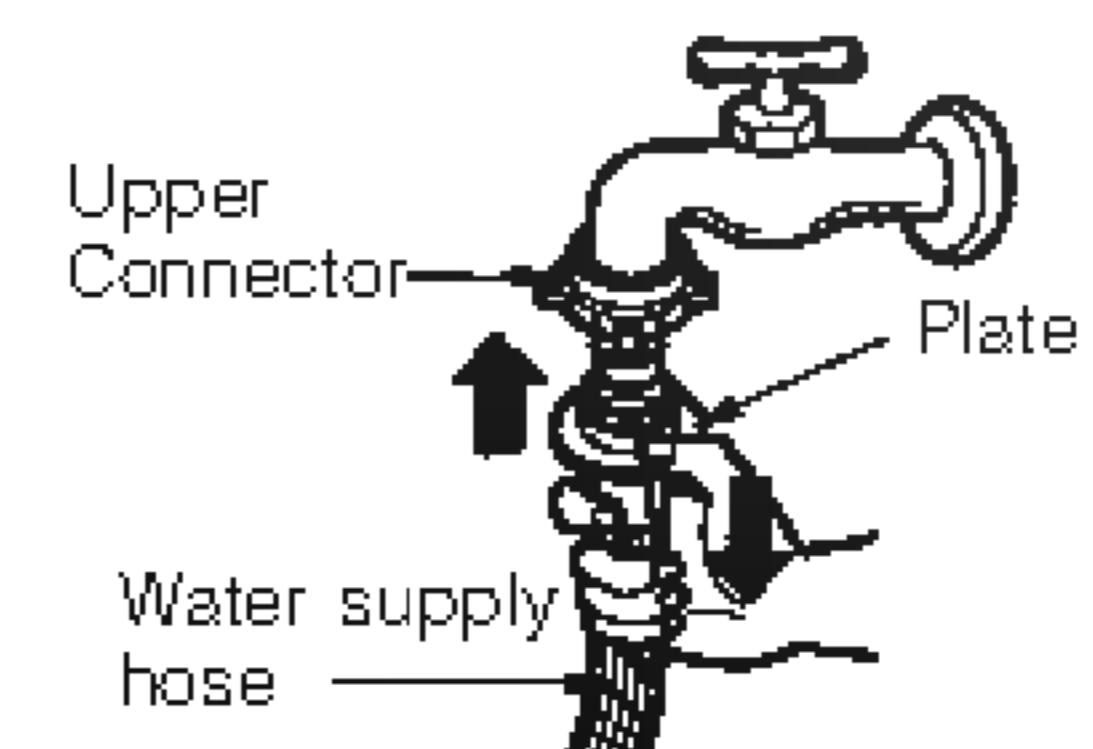
1. Untighten the upper connector screw.



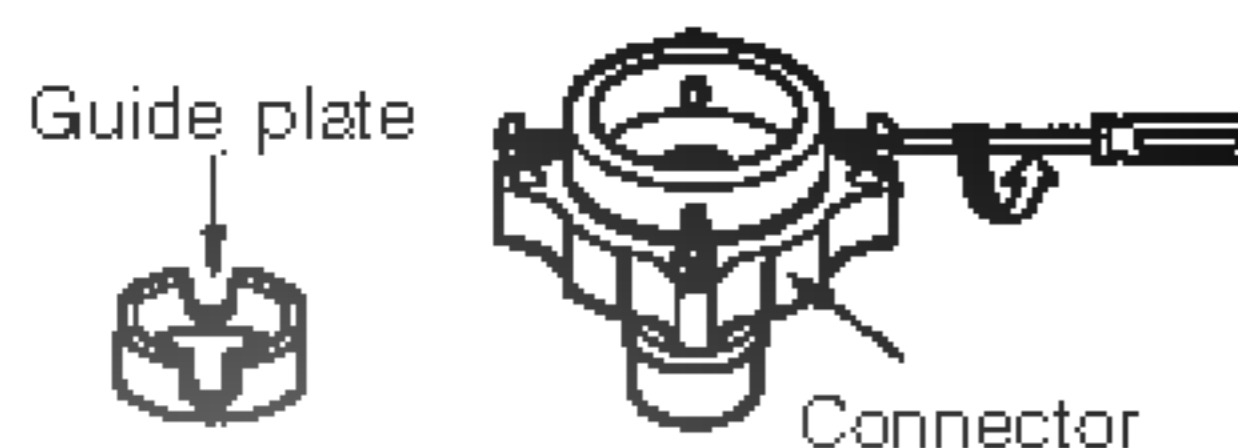
2. Push the upper connector up till the rubber packing is in tight contact with the tap. Then tighten the 4 screws.



3. Connect the water supply hose to the middle connector, pushing the plate down.

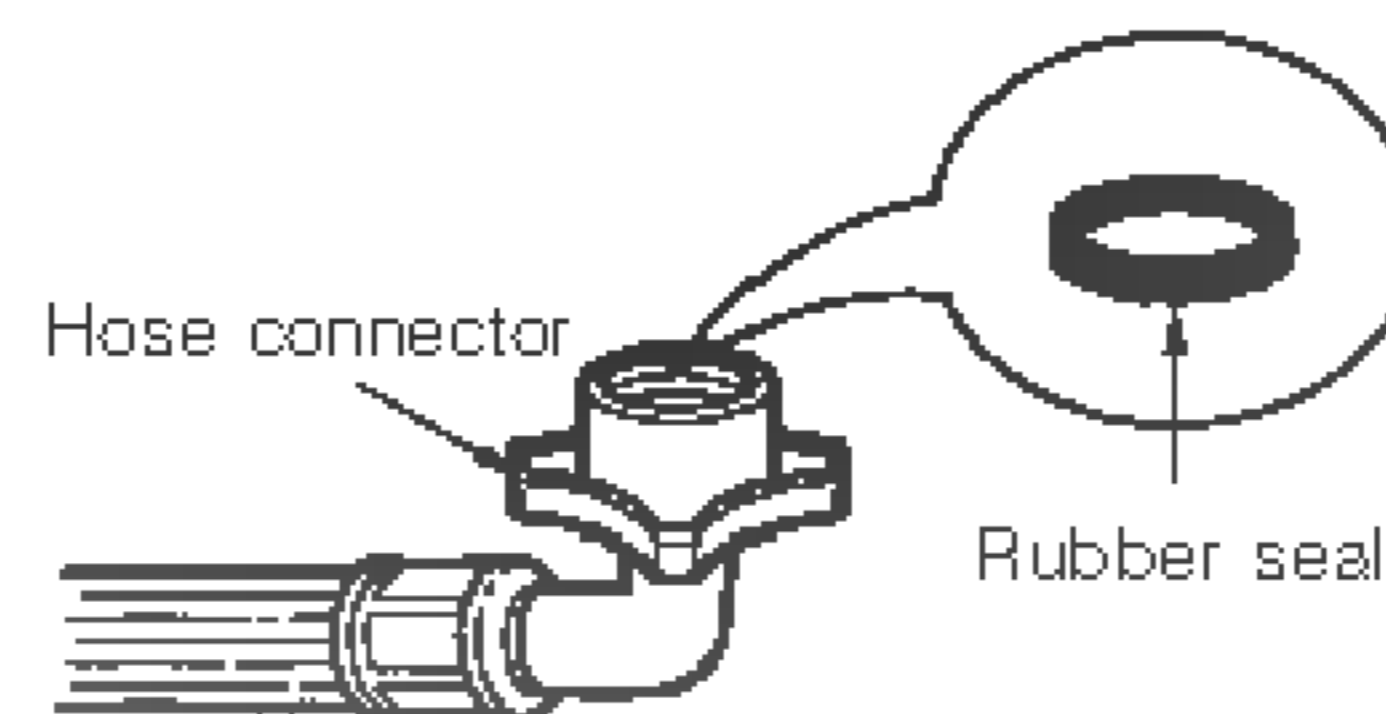


- In case the diameter of the tap is large remove the guide plate.

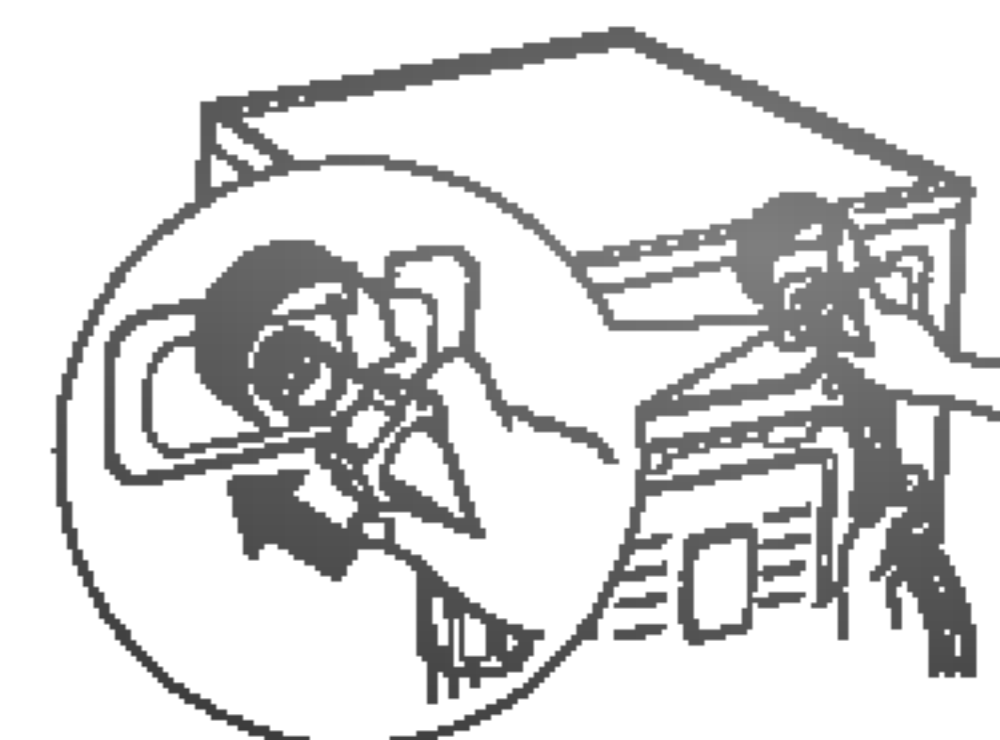


- Turn the middle connector not to have water leaked.

- Make sure that the rubber seal is inside the hose connector.



- To separate the water supply hose from the middle connector shut off the tap. Then pull the inlet hose down, pushing the plate down.



Used the horizontal tap

Horizontal tap



Extension tap



Square tap



- Your machine comes with only cold water connection.
- Make sure that there are no kinks in the hose and that it is not crushed.

This equipment is not designed for maritime use or for use mobile installations such as caravans, aircraft etc.

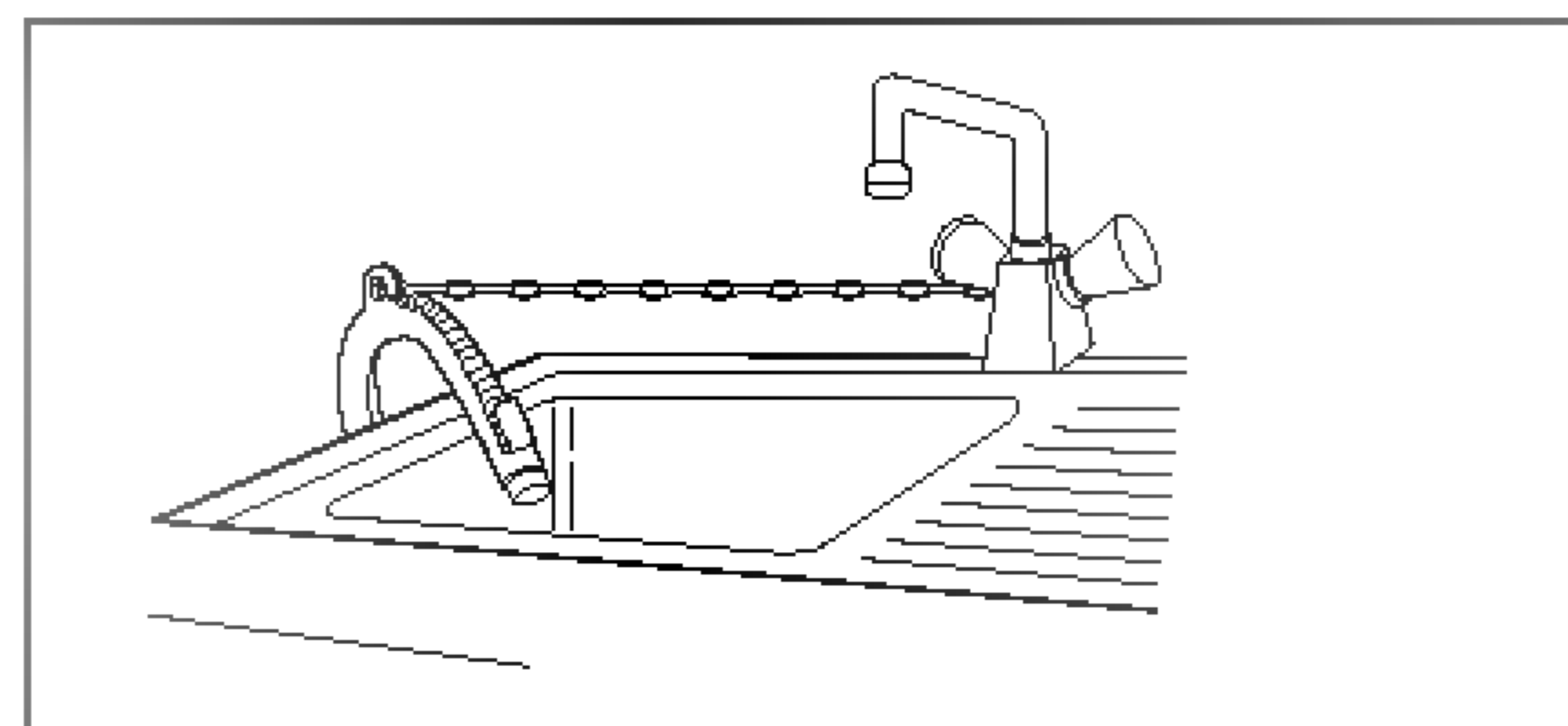
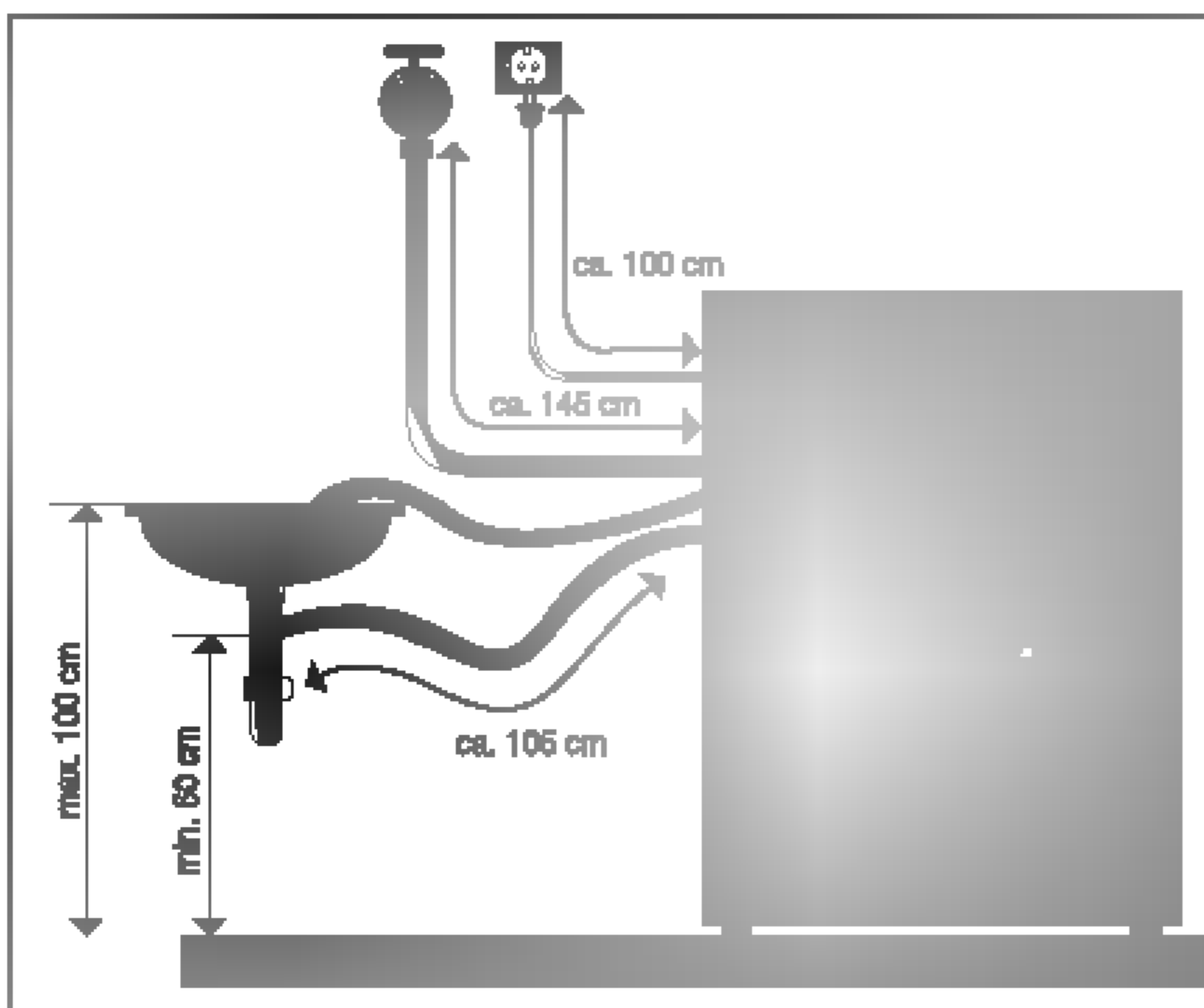
Turn off the stopcock if the machine is to be left for any length of time (e. g. holiday), especially if there is no floor drain(gully) in the immediate vicinity.

When disposing of the appliance, cut off the mains cable, and destroy the plug Disable the door lock to prevent young children being trapped inside.

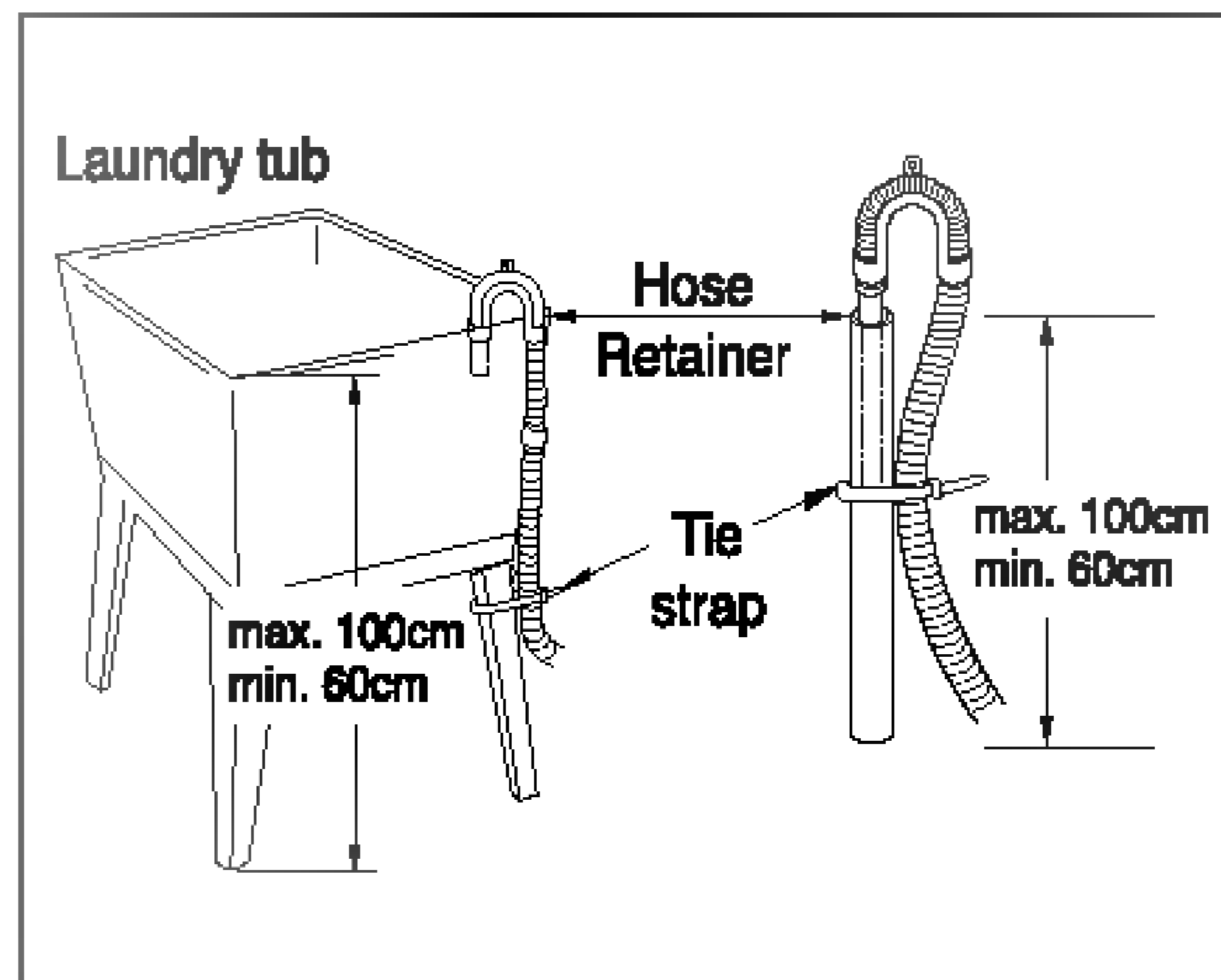
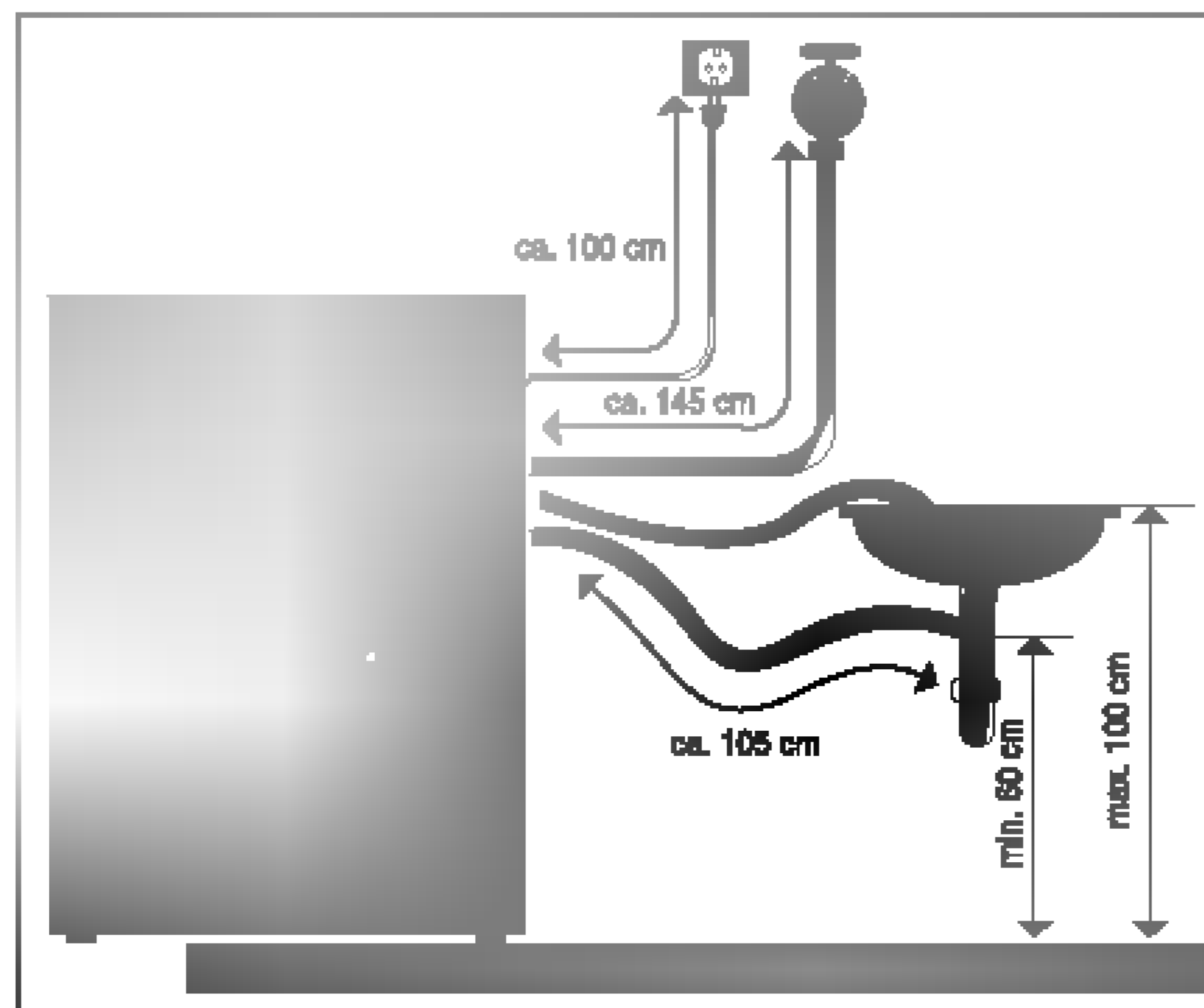
Packaging material (e. g. Films, Styrofoam) can be dangerous for children. There is a risk of suffocation!

Keep all packaging well away from children.

■ Installation of drain hose

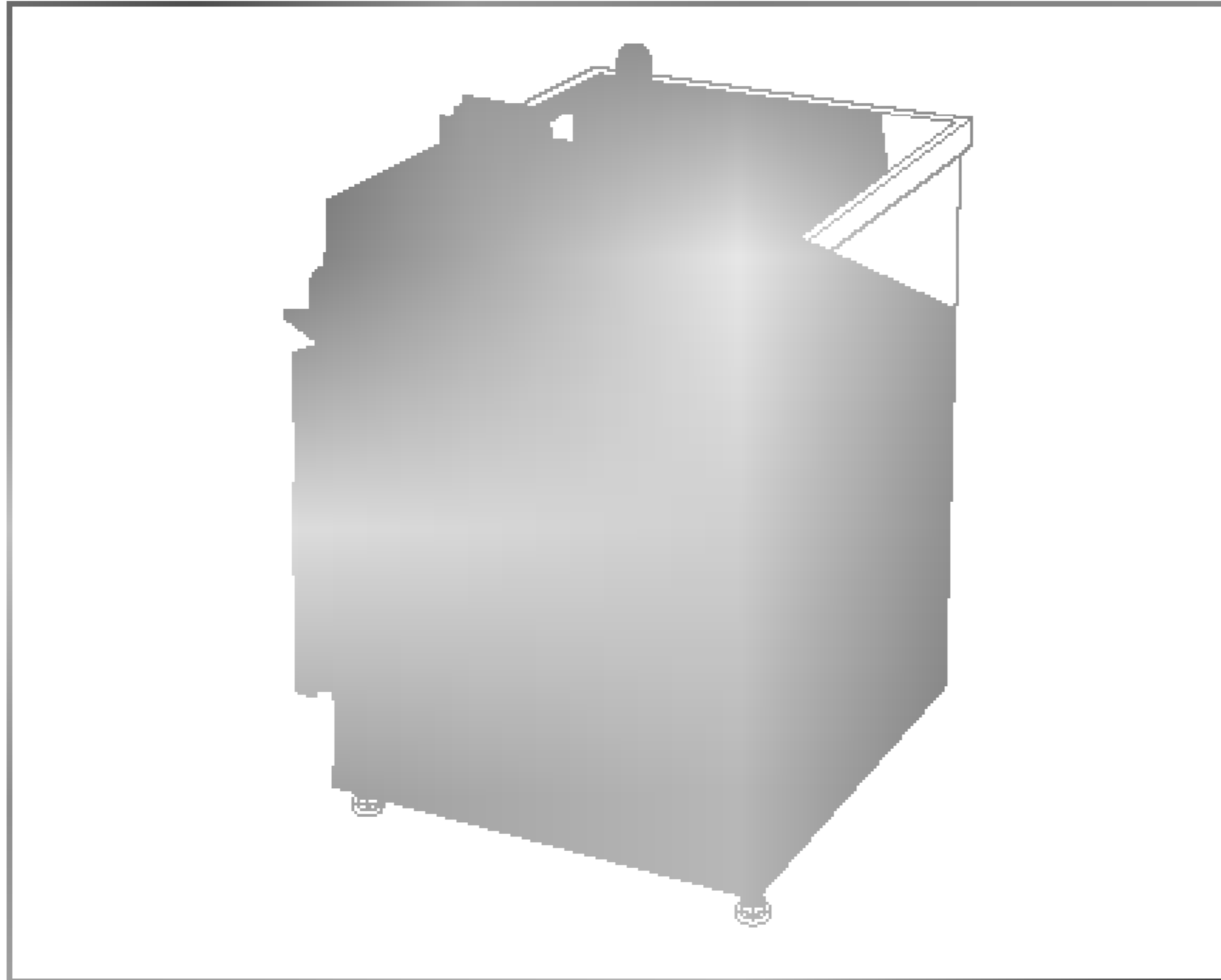


- When installing the drain hose sink, secure it tightly with a string.
- Proper securing of the drain hose will protect the floor from damage due to water leakage.



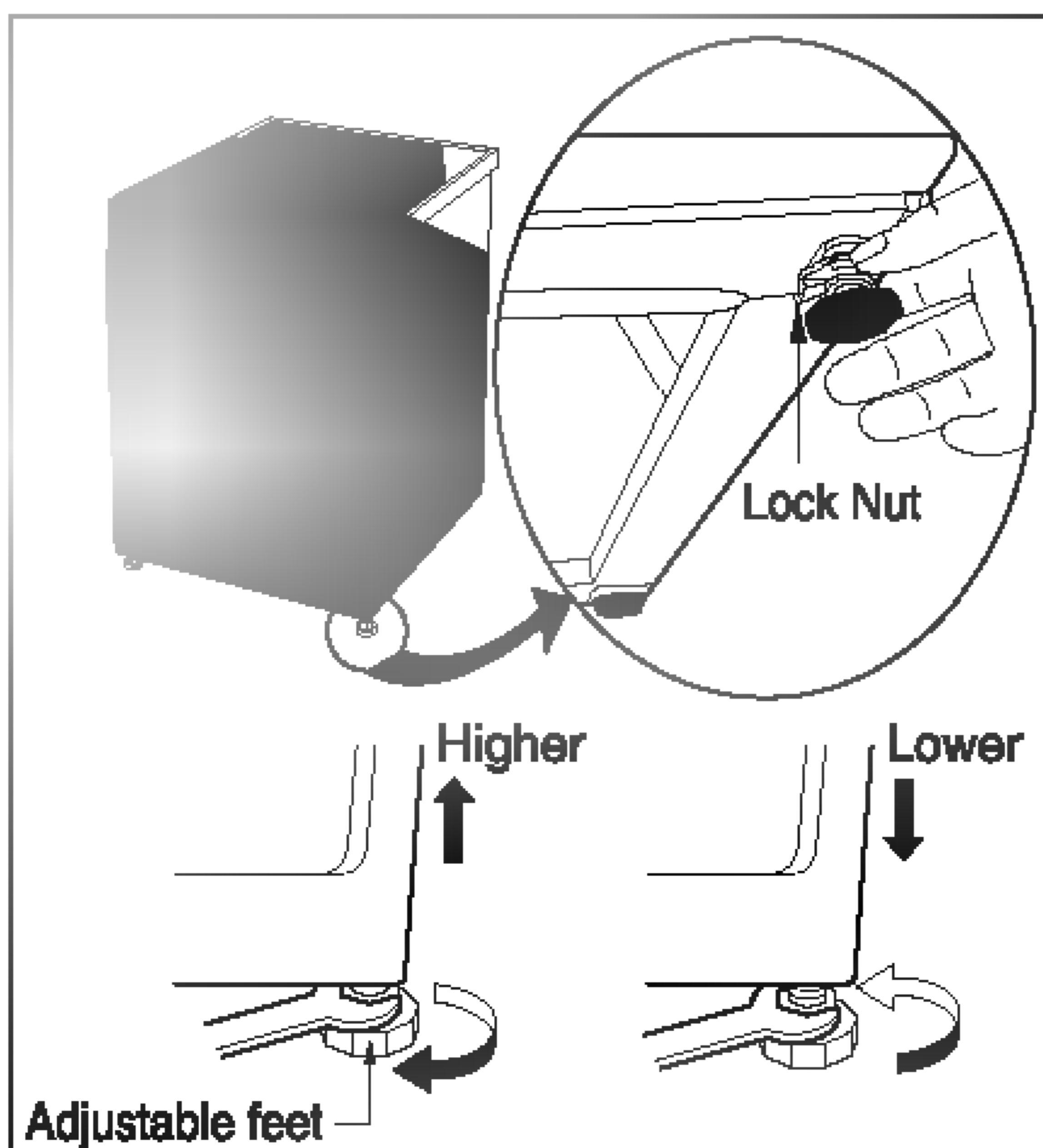
- The drain hose should not be placed higher than 100cm above the floor.
- Proper securing of the drain hose will protect the floor from damage due to water leakage.
- When the drain hose is too long, do not force back into the washer. This will cause abnormal noise.

■ Level adjustment



1. Adjusting the washing machine level properly prevents excessive noise and vibration.

Install the appliance on a solid and level floor surface, preferably in a corner of the room.



2. If the floor is uneven, adjust the adjustable feet as required. (do not insert pieces of wood etc. under the feet)
Make sure that all four feet are stable and resting on the floor and then check that the appliance is perfectly level. (use a spirit level)

3. Adjust the feet to ensure that the machine is level and steady on the floor.
After positioning, tighten the locknuts for stability.

* *Diagonal Check*
When pushing down the edges of the washing machine top plate diagonally, the machine should not move up and down at all. (Please, check both of two directions)
If machine rocks when pushing the machine top plate diagonally, adjust the feet again.

■ Caring before washing

1. Care Labels

Look for a care label on your clothes. This will tell you about the fabric content of your garment and how it should be washed.

2. Sorting

To get the best results, Sort clothes into loads that can be washed with the same wash cycle. Water temperature and spin speed and different fabrics need to be washed in different ways. Always sort dark colors from pale colors and whites. Wash separately as dye and lint transfer can occur causing discoloration of white etc. If possible, do not wash heavily soiled items with lightly soiled one.

Soil(Heavy, Normal, Light)
Color(White, Lights, Dark)
Lint(Lint producers, Collectors)

Separate clothes according to amount of soil.
Separate white fabrics from colored fabrics.
Wash lint producers and lint collectors separately.

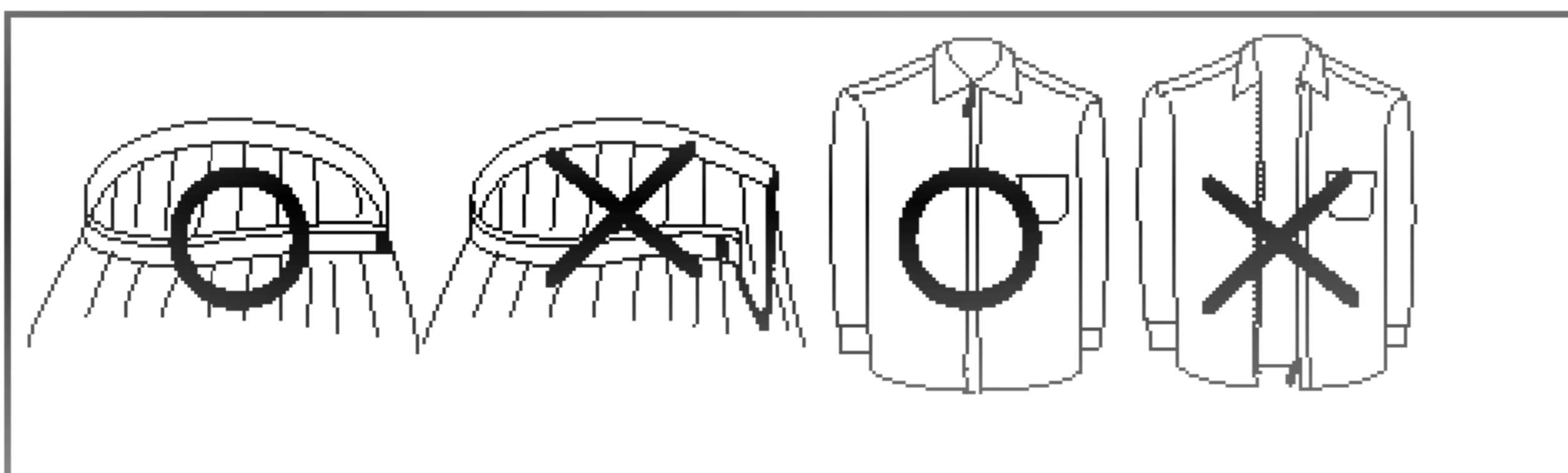
3. Caring before loading

■ Combine large and small items in a load. Load large items first. Large items should not be more than half the total wash load.

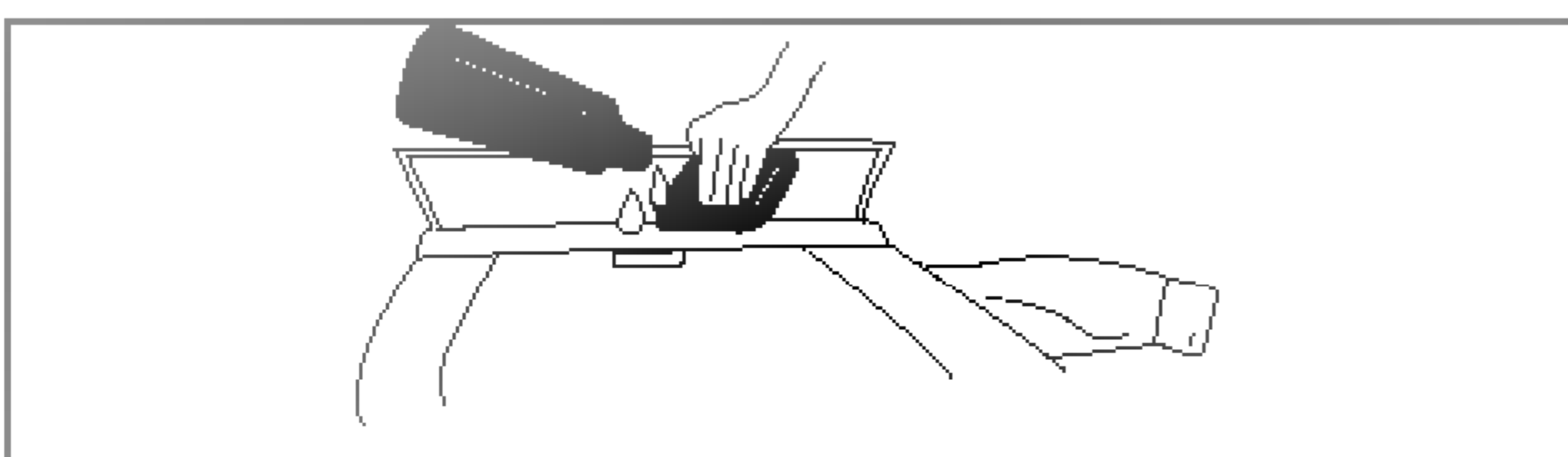
Do not wash single items. This may cause an out-of-balance load. Add one or two similar items.



- Check all pockets to make sure that they are empty. Items such as nails, hair clip, matches, pens, coins and keys can damage both your washer and your clothes.



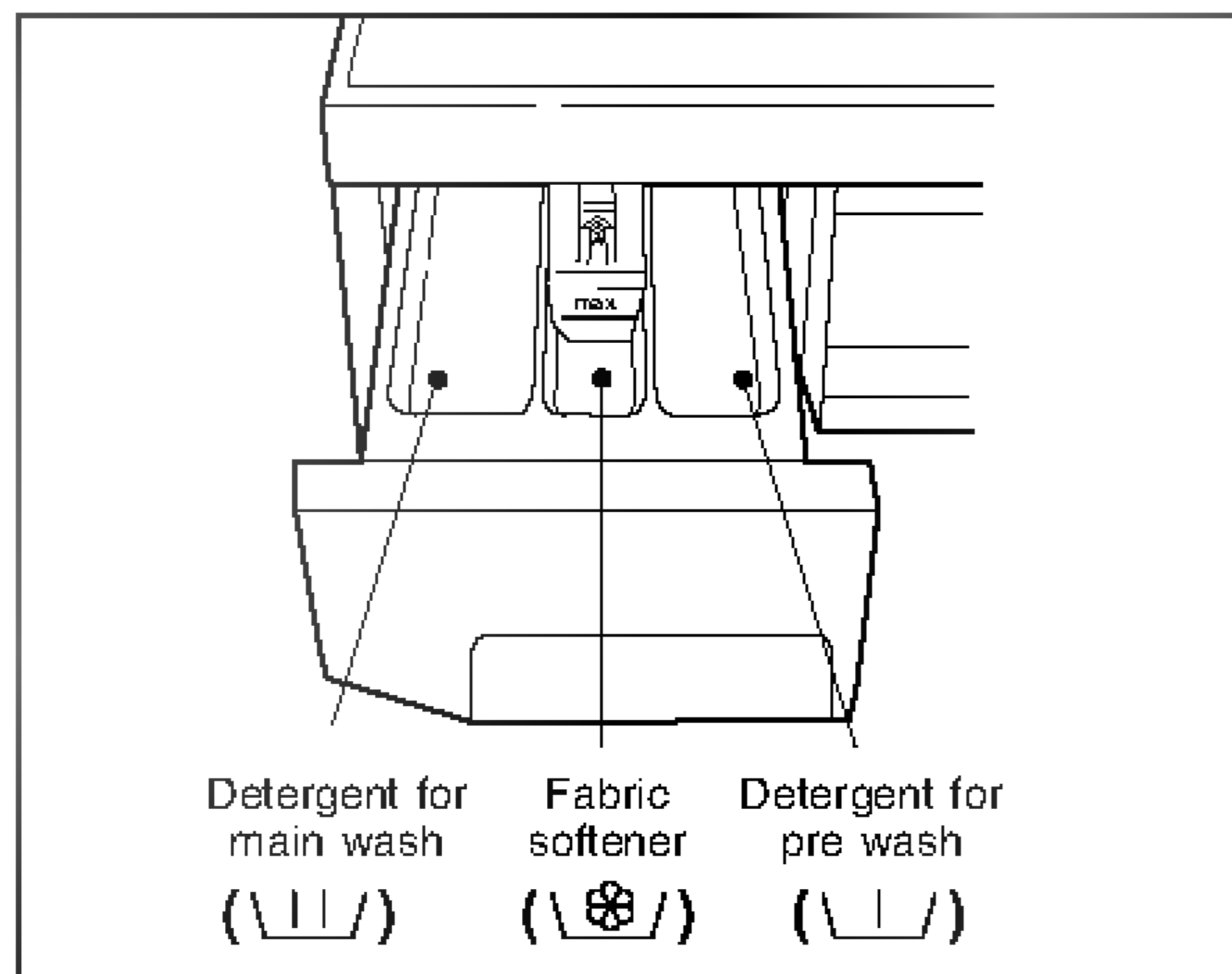
- Close zippers, hooks and strings to make sure that these items don't snag on other clothes.



- Pre treat dirt and stains by brushing a little detergent dissolved in water onto stains like collars and cuffs to help shift dirt.

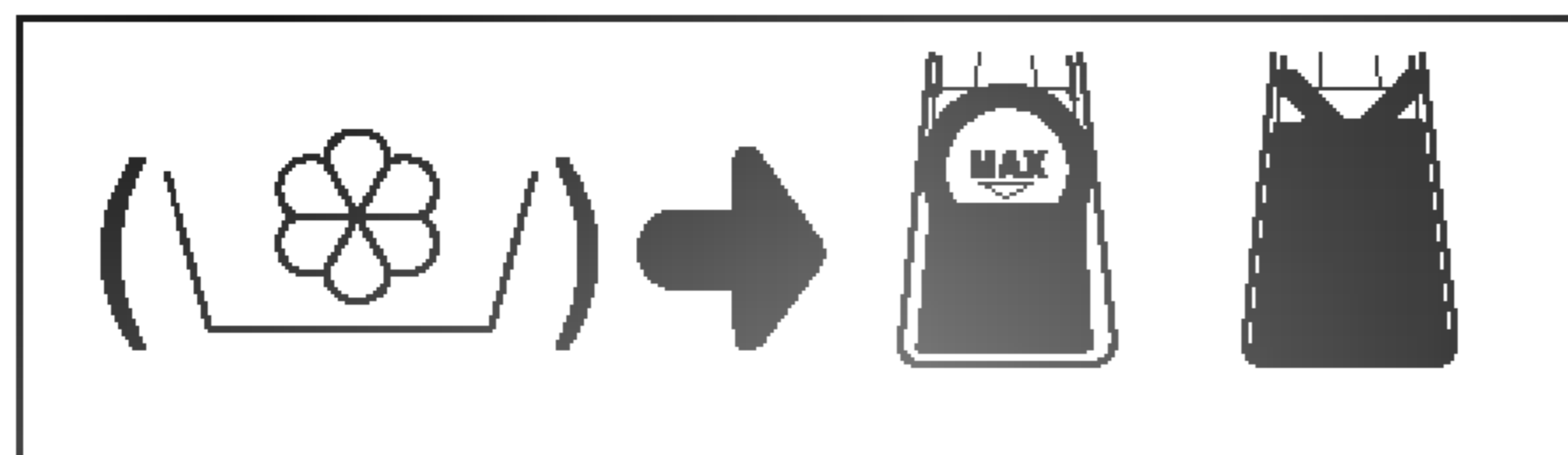
■ Adding detergent and fabric softener

1. The Dispenser Drawer



- Main wash only → \ \ /
- Pre Wash + Main Wash → \ \ / • \ \ /

2. Adding Fabric Softener



- Do not exceed the maximum fill line. Overfilling can cause early dispensing of the fabric softener which could stain clothes.
- Do not leave the fabric softener in the detergent drawer for more than 2 days. (Fabric softener could harden)
- Softener will automatically be added during the last rinse cycle.
- Do not open the drawer when water is supplied.
- Softener with high consistency should be mixed with water and melt away agglomeration in order to prevent softener cap being blocked.

NOTE Do not pour fabric softener directly on the clothes.

3. Detergent dosage

- The detergent should be used according to the instruction of the detergent manufacture.
- If too much detergent is used more than the recommended amount, too many suds can occur and this will decrease the washing result or cause heavy load to the motor. (Causing a malfunction)
- Use powder detergent only for the front loading washer.
- Detergent usage may need to be adjusted for water temperature, water hardness, size and soil level of the load. For best results, avoid oversudsing.

* Tips

Full load: according to manufacturer's recommendation.
Part load: 3/4 of the normal amount.
Minimum load: 1/2 of full load.

- Detergent is flushed from the dispenser at the beginning of the cycle.

Recommended courses according to the laundry type

Cotton	First check if laundry is machine washable. (white cotton, linen towel and sheets. . .)	95°C	Pre Wash Rinse + Crease Care Bio	WD-8029(0 ~ 9)N(U)P WD-1029(0 ~ 9)N(U)P WD-8030(0/1)N(U)P WD-1030(0/1)N(U)P WD-6530(0/1)N(U)P	WD-8029(0 ~ 9)T(U)P WD-1029(0 ~ 9)T(U)P WD-8030(0/1)T(U)P WD-1030(0/1)T(U)P WD-6530(0/1)T(U)P
				Rating	Rating
	Color fast garments (shirts, night dresses, pajamas. . .)and lightly soiled white cotton(underwear. . .)	60°C (30°C, 40°C, 60°C-Eco)	Pre Wash Rinse + Crease Care Bio	Rating	Rating
Synthetic	Polyamide, Acrylic, Polyester	40°C (60°C, 30°C)	Pre Wash Rinse + Crease Care Bio	Less than 1.7kg	Less than 3.0kg
Delicate	Delicate laundry easily damaged (silk, curtains. . .)	30°C (40°C, Cold)	Rinse + Crease Care	Less than 1.5kg	Less than 2.0kg
Wool	Machine washable woollens with pure new wool only	30°C (40°C, Cold)	Rinse + Crease Care	Less than 1.5kg	Less than 2.0kg
Hand Wash	“Hand Wash” marked delicate and wool laundry	Cold(30°C)	Rinse + Crease Care	Less than 1.5kg	Less than 2.0kg
Quick 30	Colored Laundry which is lightly soiled fast.	30°C	Rinse + Crease Care	Less than 1.5kg	Less than 2.0kg

* Pre Wash: If the laundry is heavily soiled, “Pre Wash” course is recommended. Pre Wash is available in Cotton and Synthetic Program.

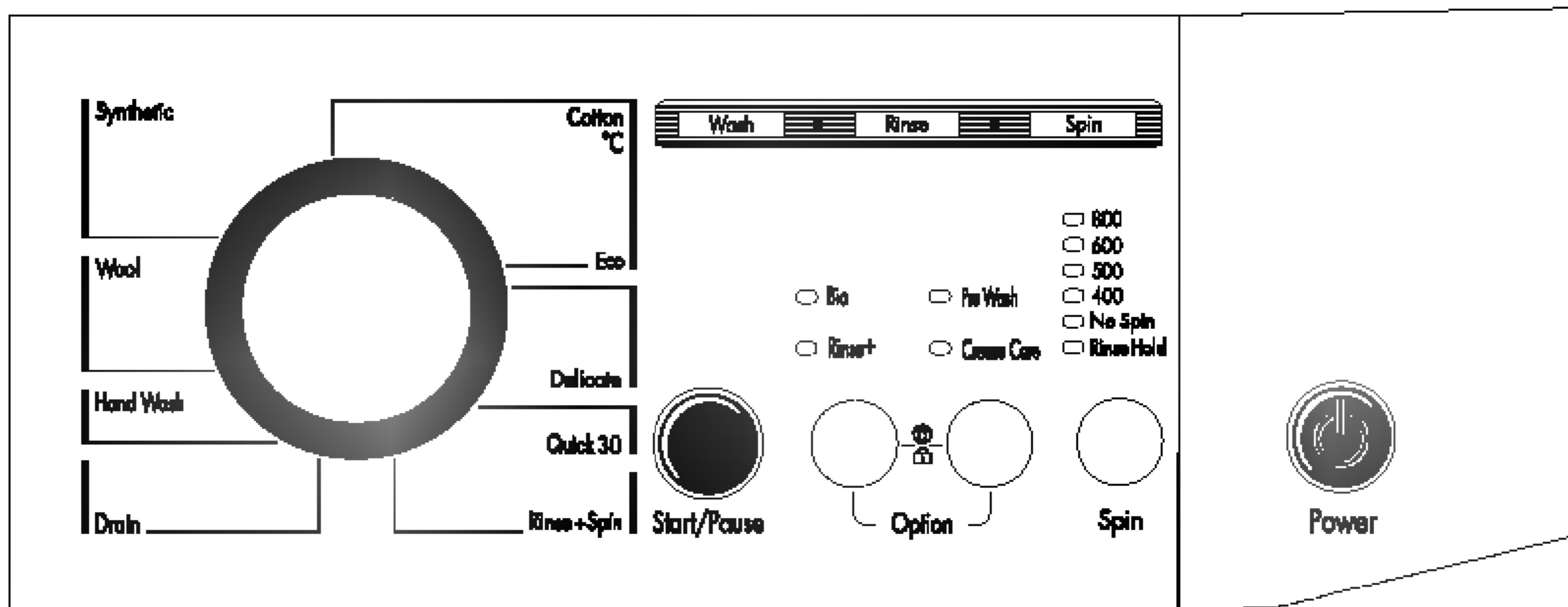
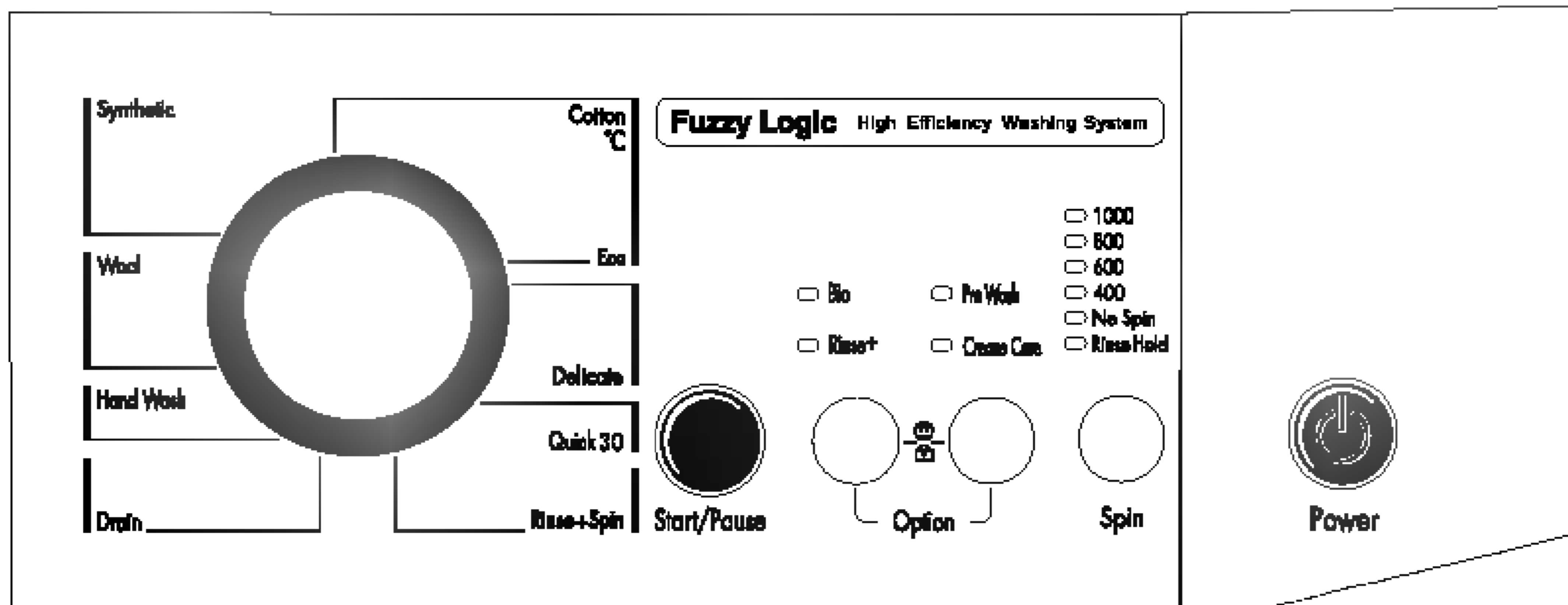
* Eco: By selecting Eco function, the water temperature is reduced and washing time is lengthened. So you can economize in your consumption of heating energy.

* Rinse +: Used to introduce an additional rinse, which may assist in removing traces of detergent residue.

* Bio: If you want to eliminate protein stains (milk, blood, chocolate. . .), you may select Bio function by pressing the option button.

* Crease Care: If you want to prevent crease, select this function after selecting spin speed.

NB. You can only select Bio function when temperature is higher than 60°C in Cotton and Synthetic.



1. Cotton automatically selected upon power on.

- Press the Power(⏻) button to start.
- Press the Start/Pause(⏸) button.
- Initial condition

- Wash: main wash
- Rinse: 3 times
- Spin:

Speed (Max)

WD-8029(0 ~ 9) N(U) P	800rpm
WD-8029(0 ~ 9) T(U) P	800rpm
WD-8030(0/ 1) N(U) P	800rpm
WD-8030(0/ 1) T(U) P	800rpm
WD-1029(0 ~ 9) N(U) P	1000rpm
WD-1029(0 ~ 9) T(U) P	1000rpm
WD-1030(0/ 1) N(U) P	1000rpm
WD-1030(0/ 1) T(U) P	1000rpm
WD-6530(0/ 1) N(U) P	650rpm
WD-6530(0/ 1) T(U) P	650rpm

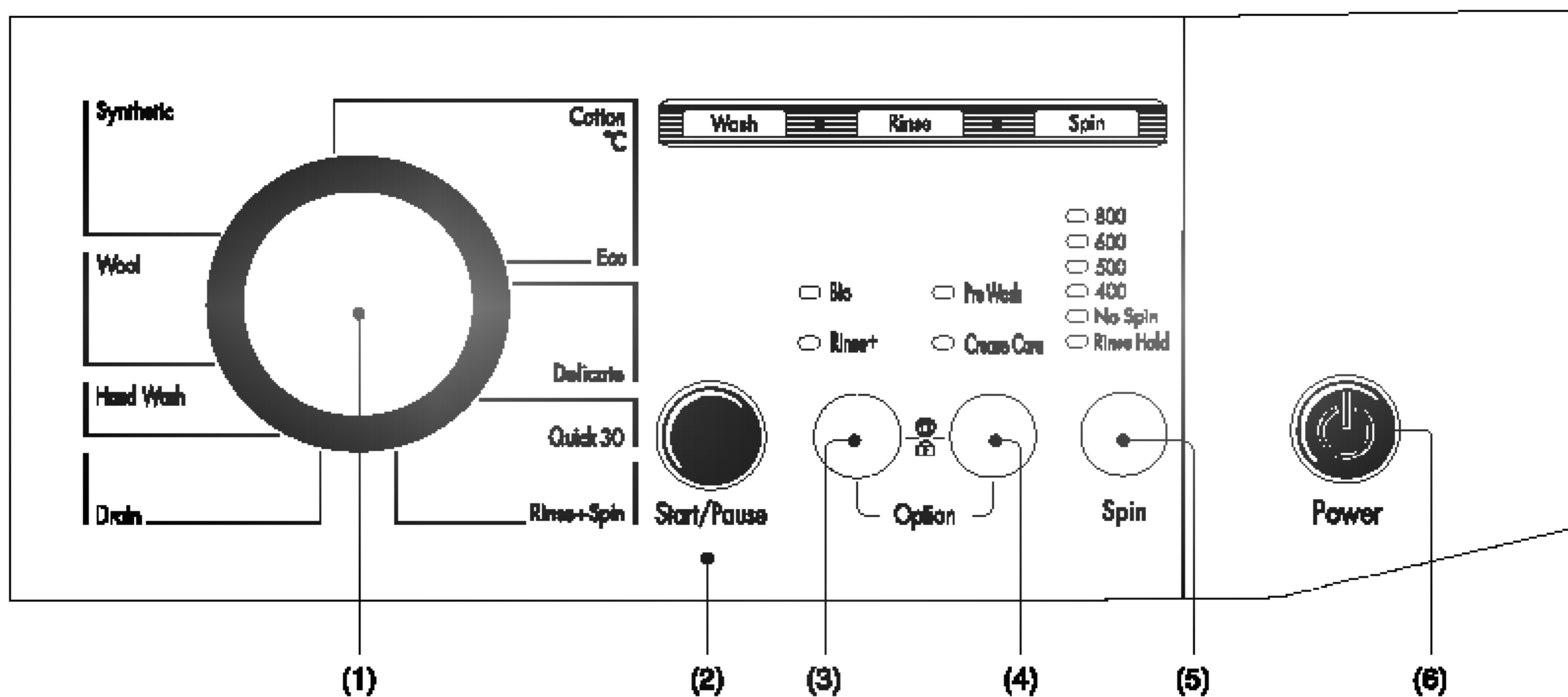
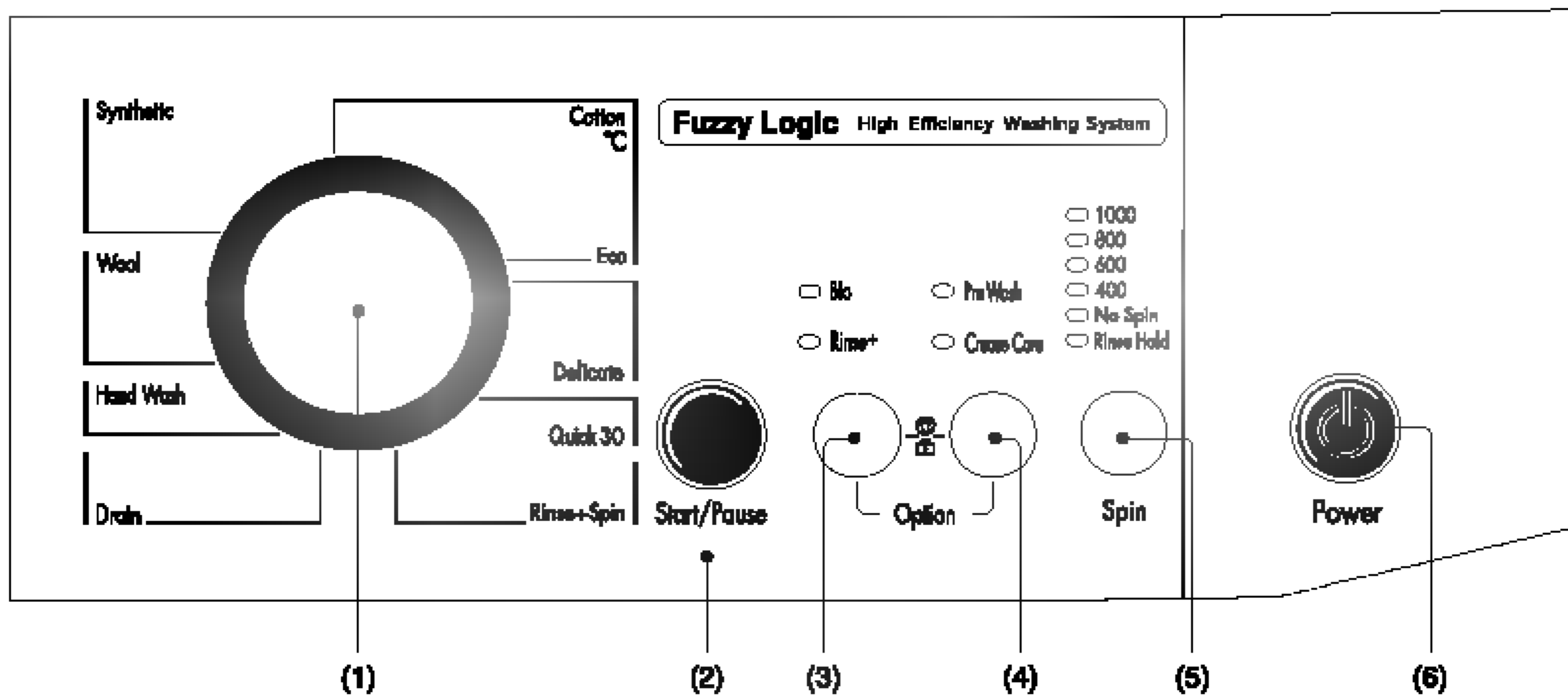
- Water temperature: 60°C
- Program: Cotton

2. Manual Selecting

- Press the Power(⏻) button to start.
- Select the conditions which you want to use, by turning the program dial and pressing each button.

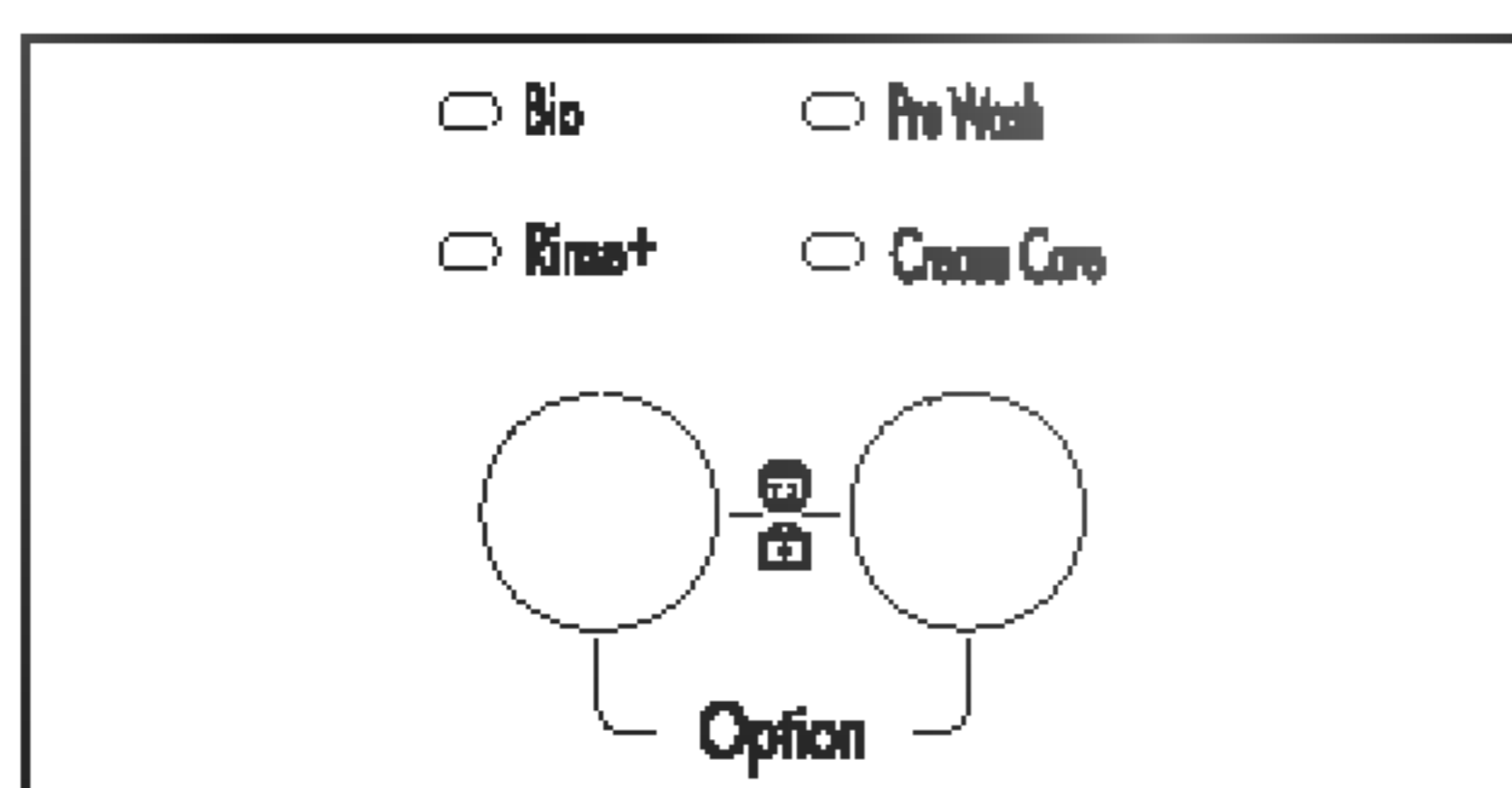
For selecting the each conditions, please refer to the page15 ~ page19.

- Press the Start/Pause(⏸) button.



- (1) Dial: Program
 (2) Button: Start/Pause
 (3) Button: Bio/Rinse +
 (4) Button: Pre Wash /Crease Care
 (5) Button: Spin
 (6) Button: Power

Option



- By pressing the Option button, all Option functions may be selected.
 - Bio
 - Rinse +
 - Pre Wash
 - Crease Care

1. Bio

- If you want to eliminate protein stains (milk, blood, chocolate...), you may select Bio function by pressing the option button. [You can select Bio function when temperature is higher than 60°C in cotton and Synthetic.]

2. Rinse +

- Used to additional rinse, which may assist in removing traces of detergent residue.
- By selecting Rinse+ function, the rinse time and the rinse water are increased.

3. Pre Wash

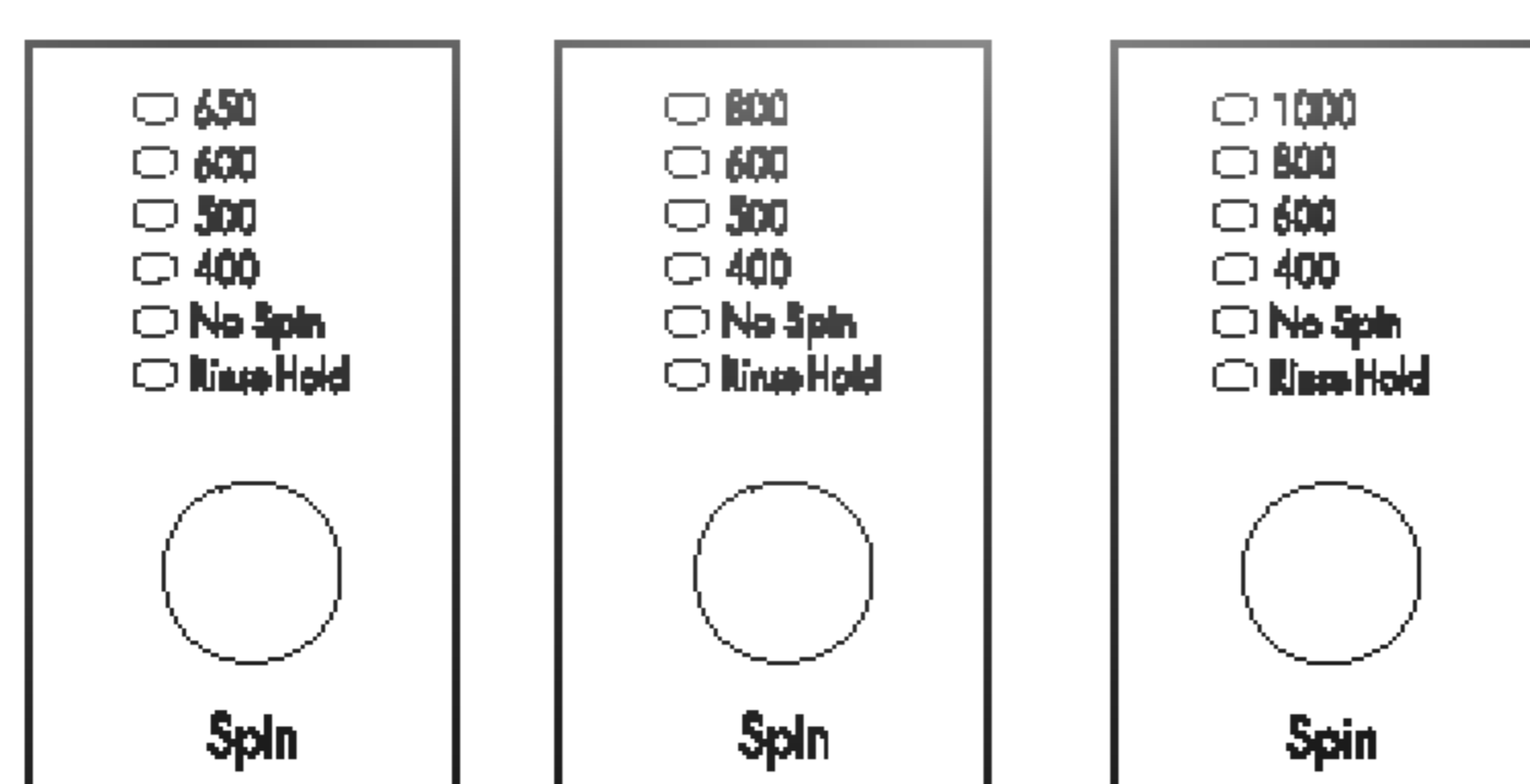
- If the laundry is heavily soiled, “Pre Wash” course is effective.
- Pre Wash is available in Cotton and Synthetic.

The required lamp will light up for identification.

4. Crease Care

- If you want to prevent crease, select this button with spin speed.

Spin



1. Spin selection

- Spin Speed is available according to the program as follows.
- WD-8029(0 ~9)N(U)P/WD-8030(0/1)N(U)P/WD-8029(0 ~9)T(U)P/WD-8030(0/1)T(U)P
 - Cotton/Rinse + Spin/Synthetic/Wool/Hand Wash
800→Rinse Hold→No Spin→400→500→600
 - Delicate
600→Rinse Hold→No Spin→400→500
 - Quick 30
400→500→600→800→Rinse Hold→No Spin
- WD-1029(0 ~9)N(U)P/WD-1030(0/1)N(U)P/WD-1029(0 ~9)T(U)P/WD-1030(0/1)T(U)P
 - Cotton/Rinse + Spin/Synthetic/Wool/Hand Wash
1000→Rinse Hold→No Spin→400→600→800
 - Delicate
800→Rinse Hold→No Spin→400→600
 - Quick 30
400→600→800→1000→Rinse Hold→No Spin

- By pressing the Spin button, the spin speed can be chosen.

- WD-6530(0/1)N(U)P/WD-6530(0/1)T(U)P
 - Cotton/Rinse + Spin/Synthetic/Wool/Hand Wash
650→Rinse Hold→No Spin→400→500→600
 - Delicate
600→Rinse Hold→No Spin→400→500
 - Quick 30
400→500→600→650→Rinse Hold→No Spin

2. No spin

- If no spin is selected, the washer stops after draining water.

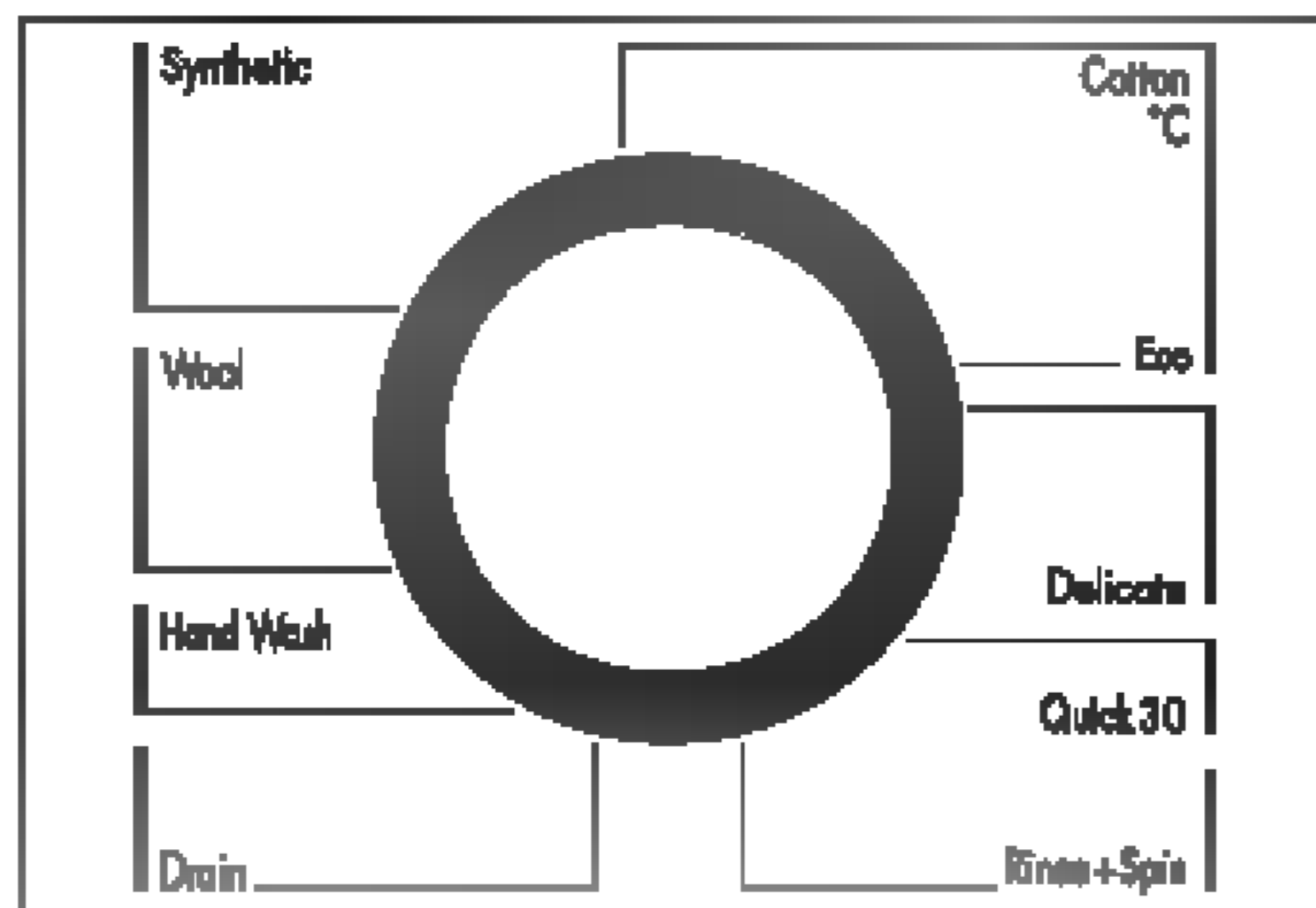
The required lamp will light up for identification.

3. Rinse Hold

- Is selected by pressing the spin button repeatedly this function leaves clothes in the machine; suspended in the water after a rinse without entering into spin.
- To proceed through to a drain or spin, once the rinse hold function is completed using to spin button to the required program.
(Spin)

The required lamp will light up for identification.

Water Temp.



- By turning the Program Dial, the water temperature can be selected.

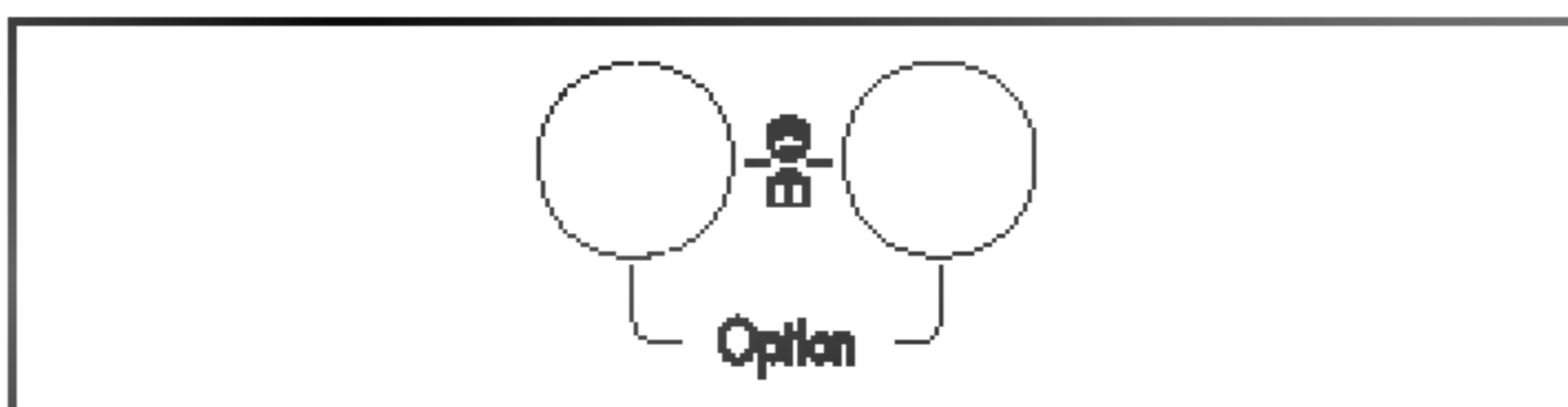
1. Water Temperature

- Water temperature can be selected according to the program.

The required temperature lamp will light up for identification.

For the more detailed information, please refer to the page 13.

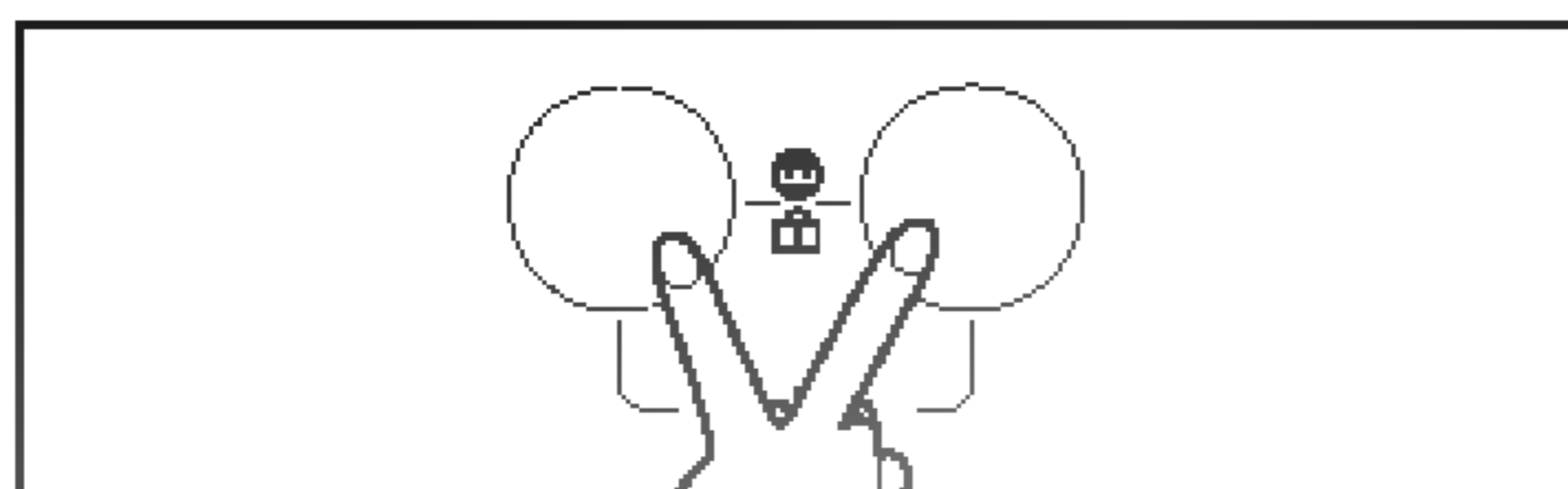
Child Lock



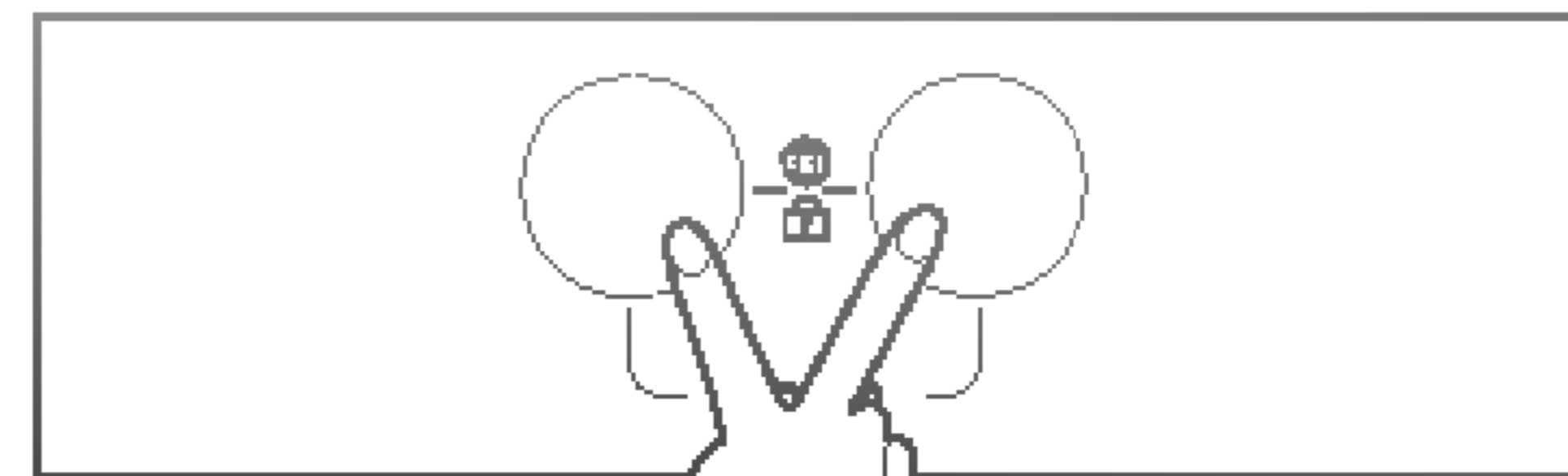
If you choose to lock the buttons on the control assembly to prevent tampering this function may be selected.

1. Child Lock

- Child Lock can be set by pressing the **two Option** button simultaneously.



- When child lock is set, all buttons are inoperable except power button.
- To deactivate Child Lock system, press the **two option** button simultaneously again.

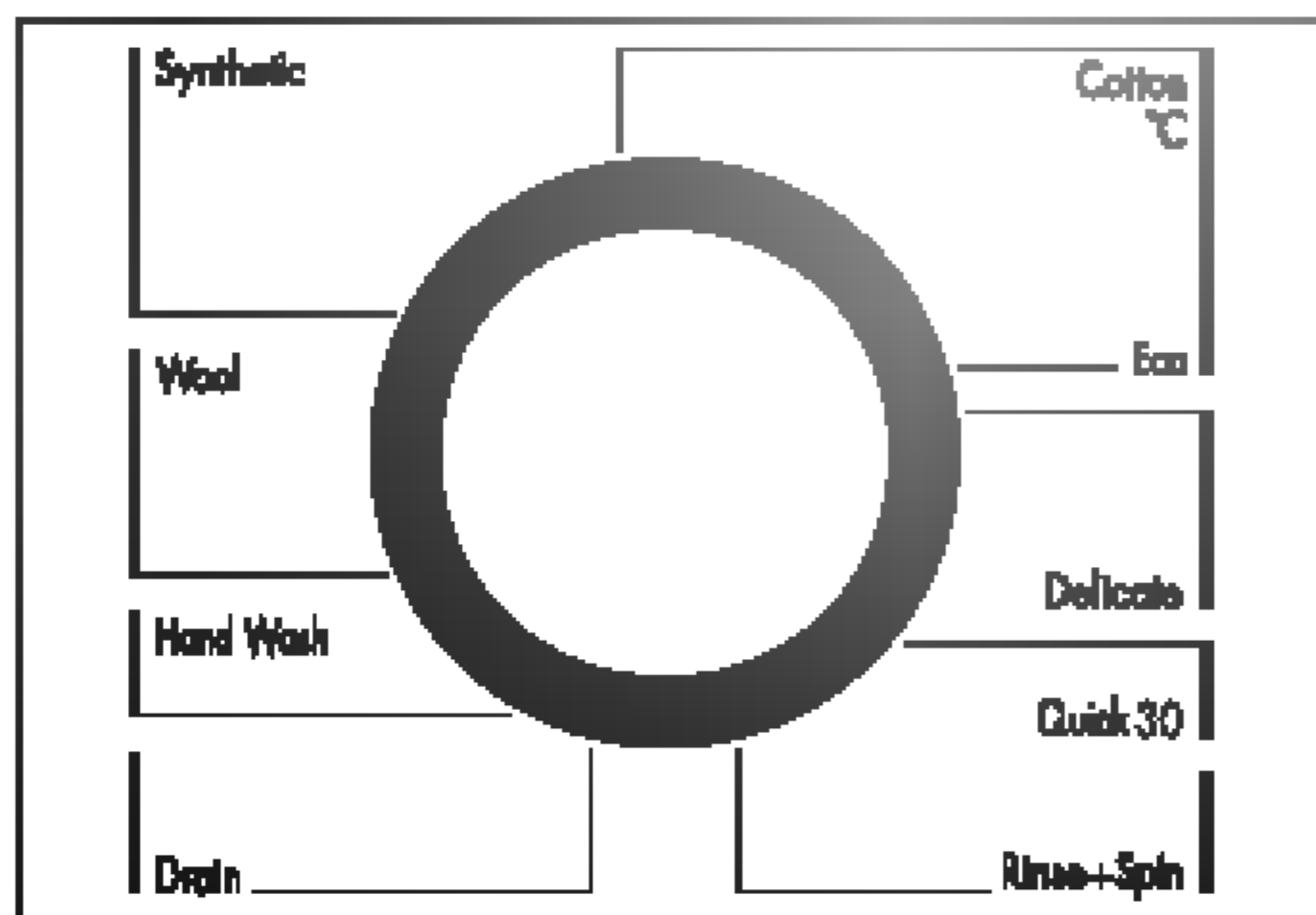


- To change to the desired program, whilst in child lock mode.
 1. Press both the **two Option** together once again.
 2. Press the **Start/Pause** button.
 3. Select the desired program and press the **Start/Pause** button again.



- The child lock can be set at any time and it is automatically canceled when operational errors occur. Also *Child Lock* works when power is off.

■ Program



- 8 programs are available according to the laundry type.
- Lamp will light up to indicate selected program.

1. Program

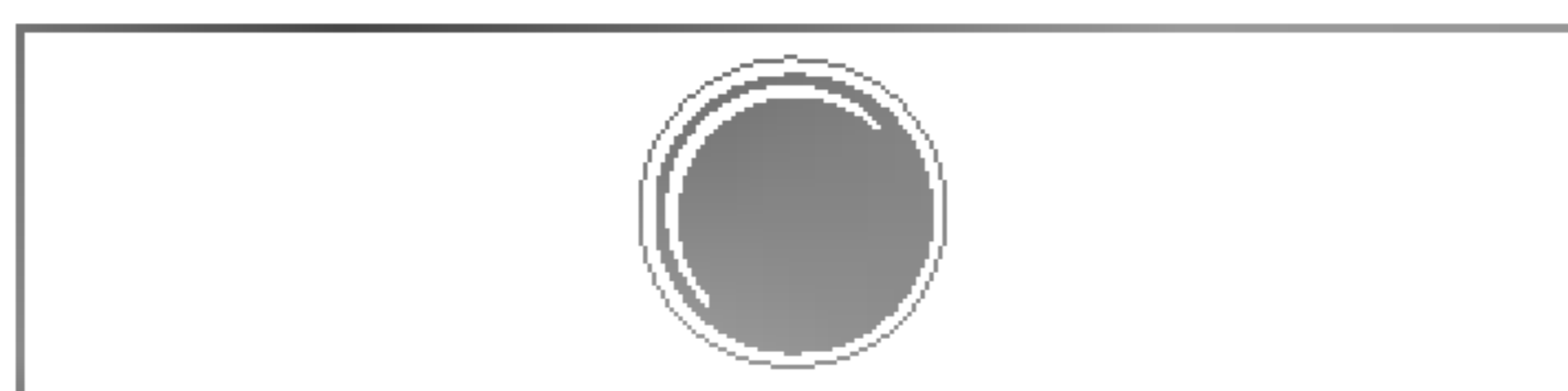
- When **Start/Pause** button is pressed, the Cotton program is automatically selected.
- By turning the Program dial, the program is selected in order of “Cotton ↔ Delicate ↔ Quick 30 ↔ Rinse + Spin ↔ Drain ↔ Hand Wash ↔ Wool ↔ Synthetic”.

*Regarding to the laundry type for each program
Please refer to the page 13.*

2. Course

- Cotton
- Delicate
- Rinse + Spin
- Quick 30
- Wool
- Drain
- Synthetic
- Hand Wash

■ Start/Pause



1. Start

- This **Start/Pause** button is used to start wash cycle or pause the wash cycle.

2. Pause

- If temporary stop of wash cycle is needed, press the **Start/Pause** button.
- When in Pause, the power is turned off automatically after 4 minutes.
- **NB.** The door will not open before 1 to 2 minutes when Pause is selected, or at the end of the wash cycle.

■ Power



1. Power

- Press the Power button to turn power on and off.
- To cancel the Time Delay function, if the power button should be pressed.

2. Initial Program

- When the Power button is pressed, the washer is ready for Cotton program. And the other initial conditions as follows.
- So, if you want to advance into the washing cycle without changing the program, just press the **Start/Pause** button and then washer will proceed.

Initial program

[WD-8029(0 ~ 9) N(U) P / WD-8029(0 ~ 9) T(U) P /
WD-8030(0/1) N(U) P / WD-8030(0/1) T(U) P]

- Cotton 60°C / 800rpm

[WD-1029(0 ~ 9) N(U) P / WD-1029(0 ~ 9) T(U) P /
WD-1030(0/1) N(U) P / WD-1030(0/1) T(U) P]

- Cotton 60°C / 1000rpm

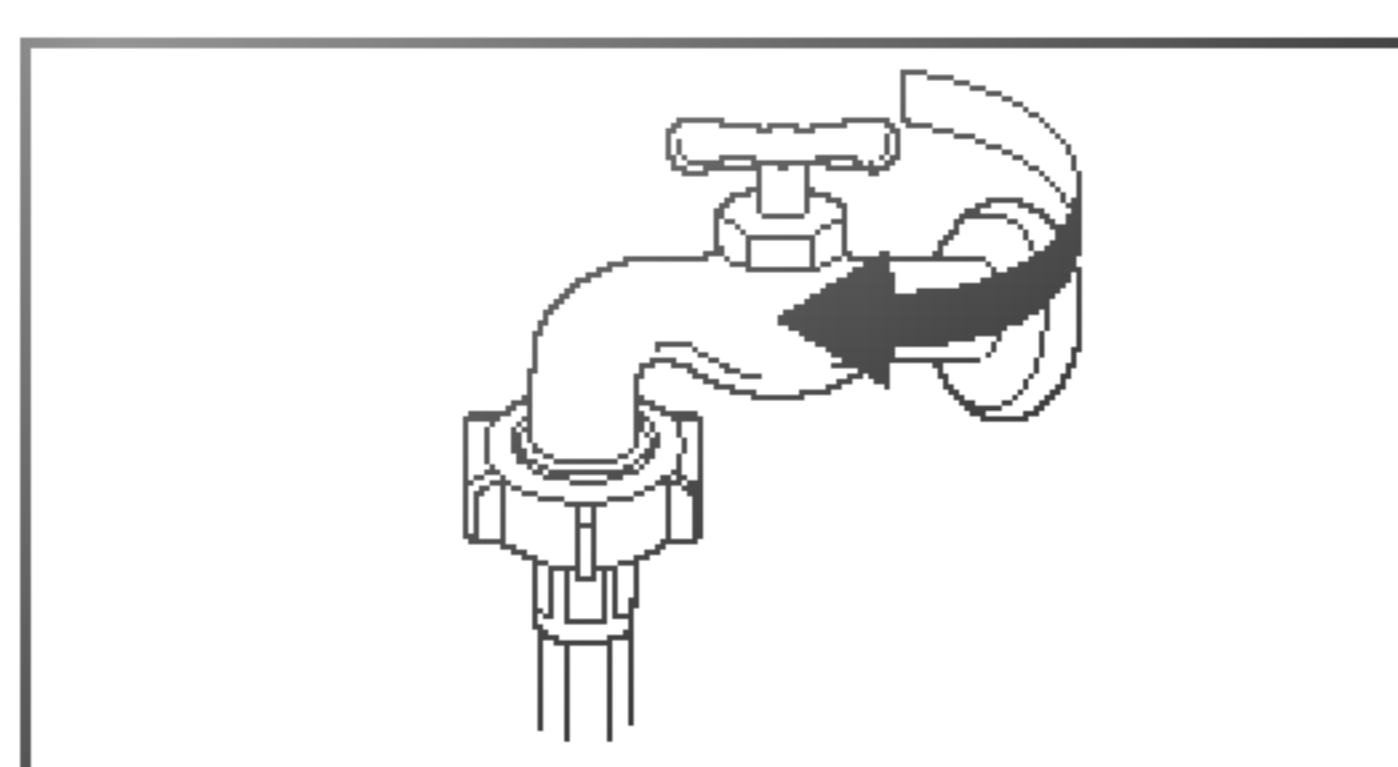
[WD-6530(0/1) N(U) P / WD-6530(0/1) T(U) P]

- Cotton 60°C / 650rpm

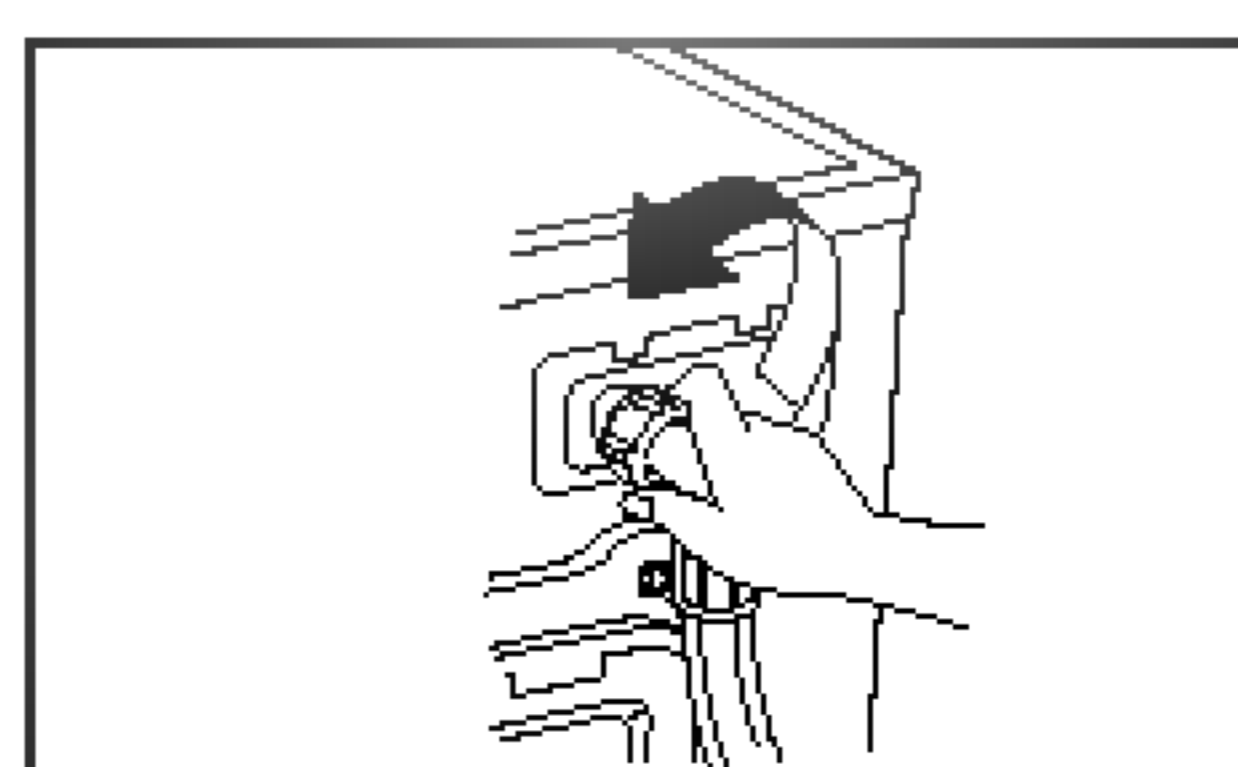
- * Before cleaning the washer interior, unplug the electrical power cord to avoid electrical shock to avoid electrical shock hazards.
- * When disposing of the appliance, cut off the mains cable, and destroy the plug Disable the door lock to prevent young children being trapped inside.

■ The water inlet filter

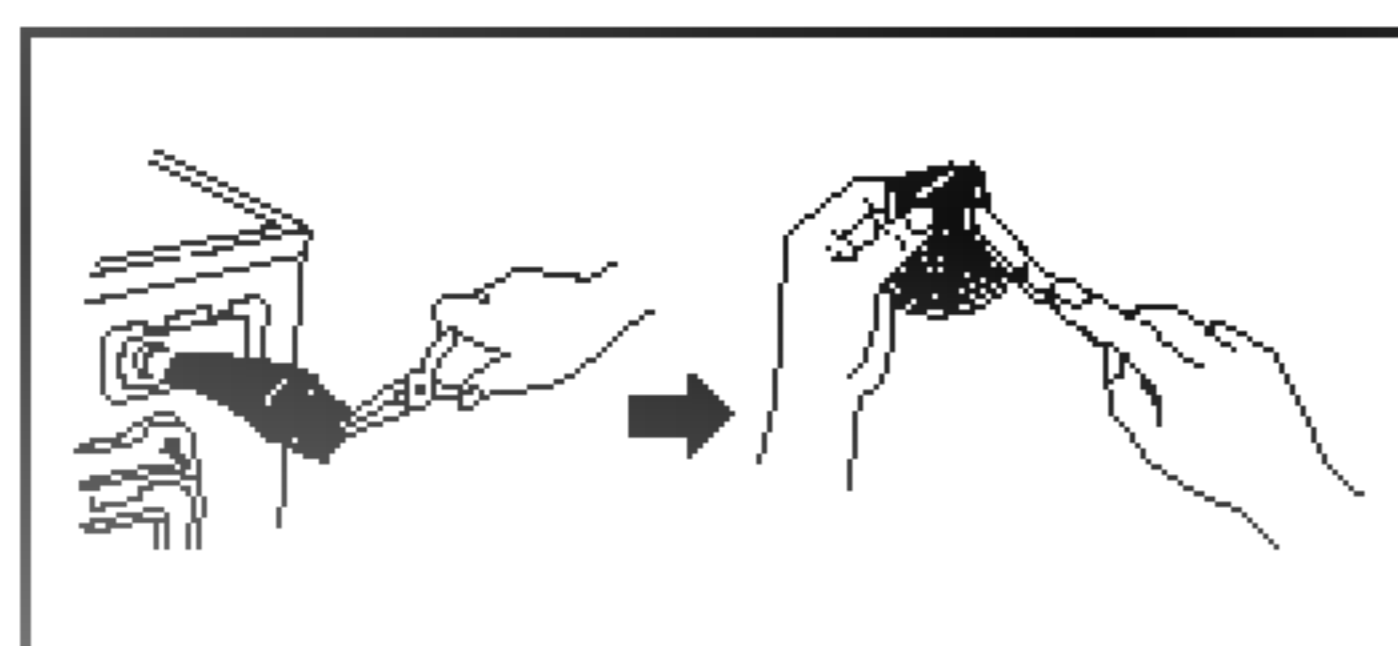
- “WATER INLET” error message will blink on the control panel when water does not enter the detergent drawer.
- If your water is very hard or contains traces of lime deposit, the water inlet filter may become clogged. It is therefore a good idea to clean it from time to time.



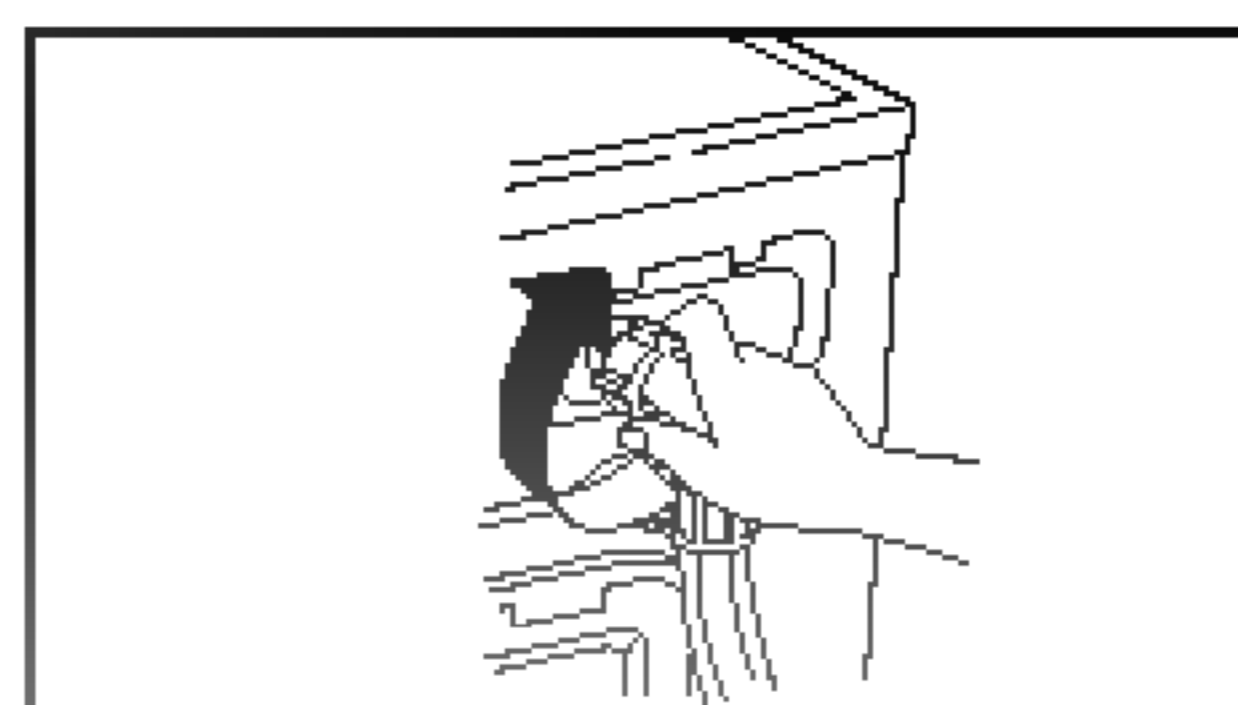
1. Turn off the water tap.



2. Unscrew the water inlet hose.



3. Clean the filter using a hard bristle brush.



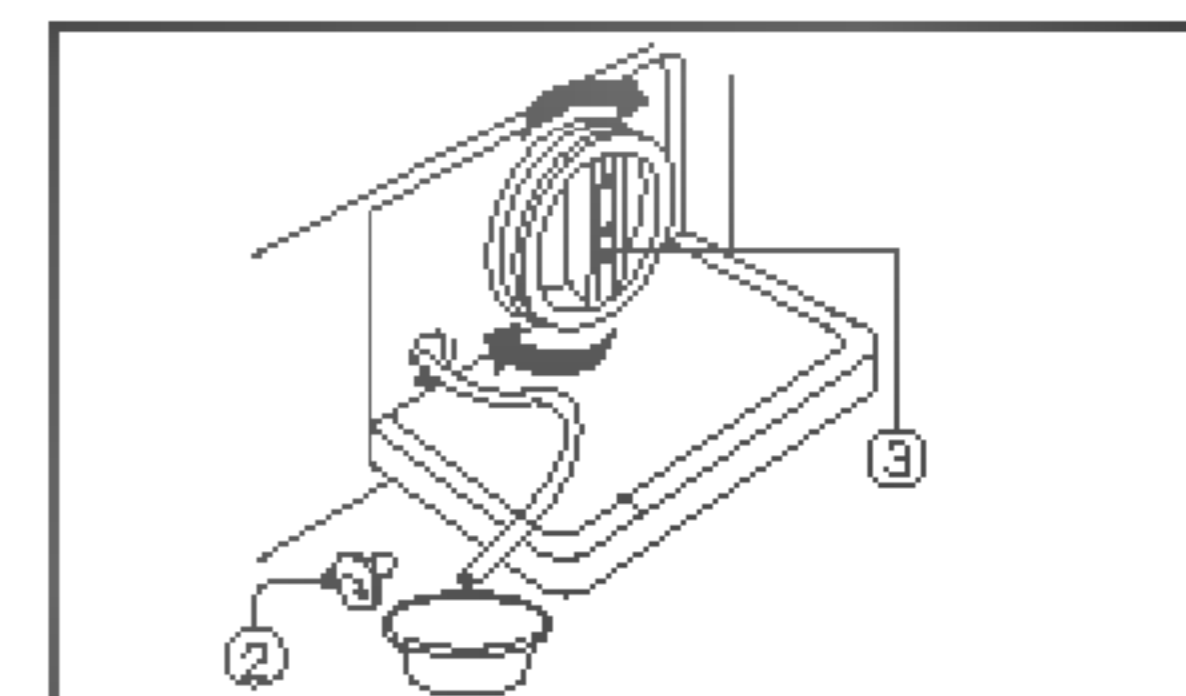
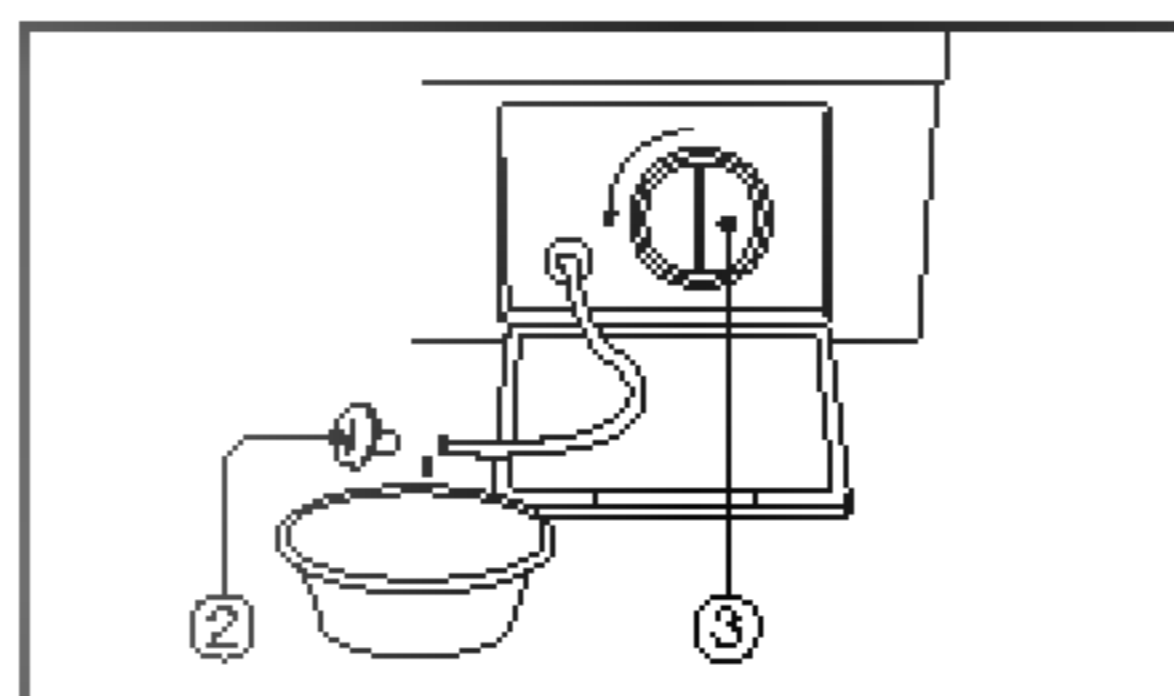
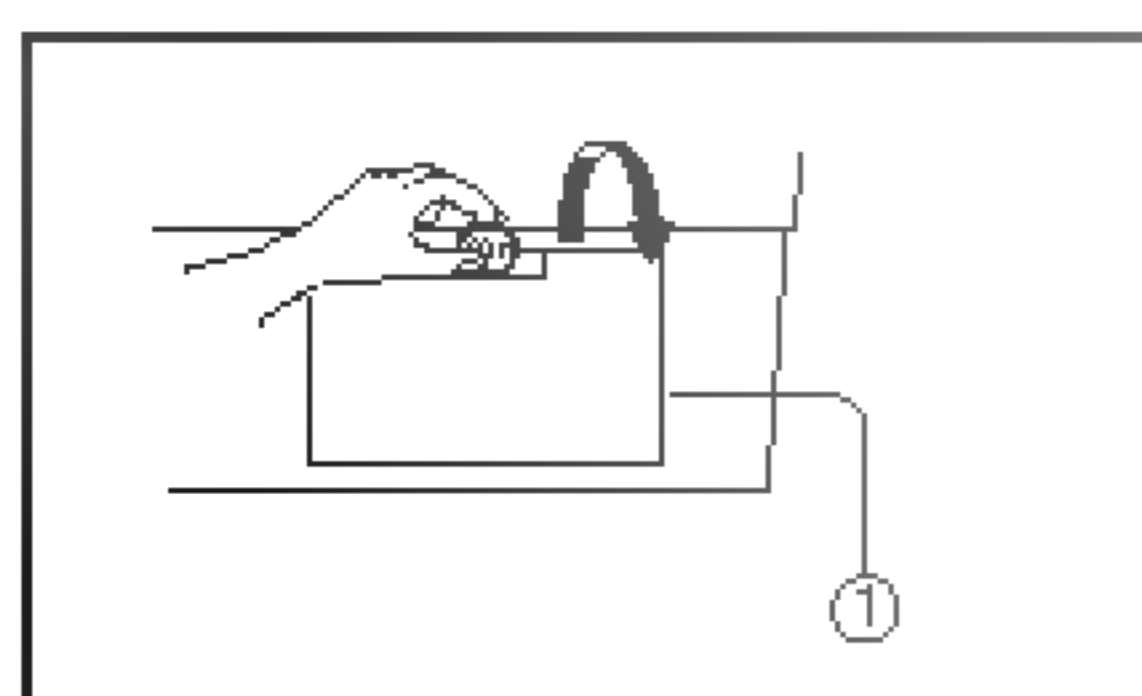
4. Tighten up the inlet hose.

■ The drain pump filter

- * The drain filter collects threads and small objects left in the laundry. Check regularly that the filter is clean to ensure smooth running of your machine.

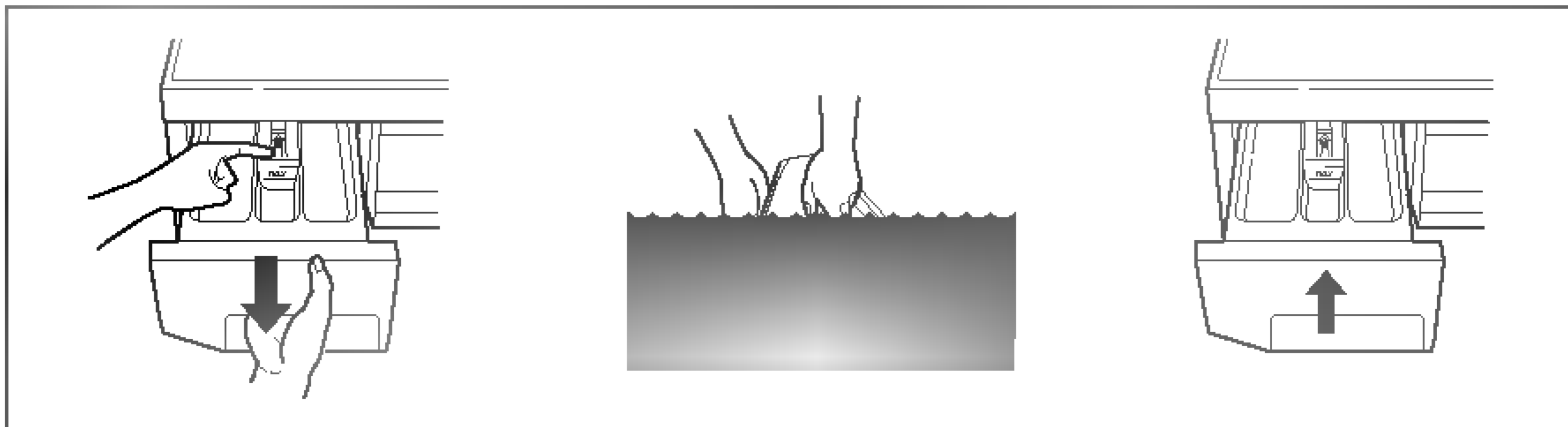
⚠ CAUTION First drain using the drain and then open the pump filter to remove whatever any threads or objects. Be careful when draining if the water is hot.

1. Open the lower cover cap (①) by using a coin. Turn the drain plug (②) to pull out the hose.
2. Unplug the drain plug (②), allowing the water to flow out. At this time use a vessel to prevent water flowing on to the floor. When water does not flow any more, turn the pump filter (③) open to the left.
3. Remove any foreign material from the pump filter (③). After cleaning, turn the pump filter (③) clockwise and insert the drain plug (②) to the original place. close the lower cover cap.



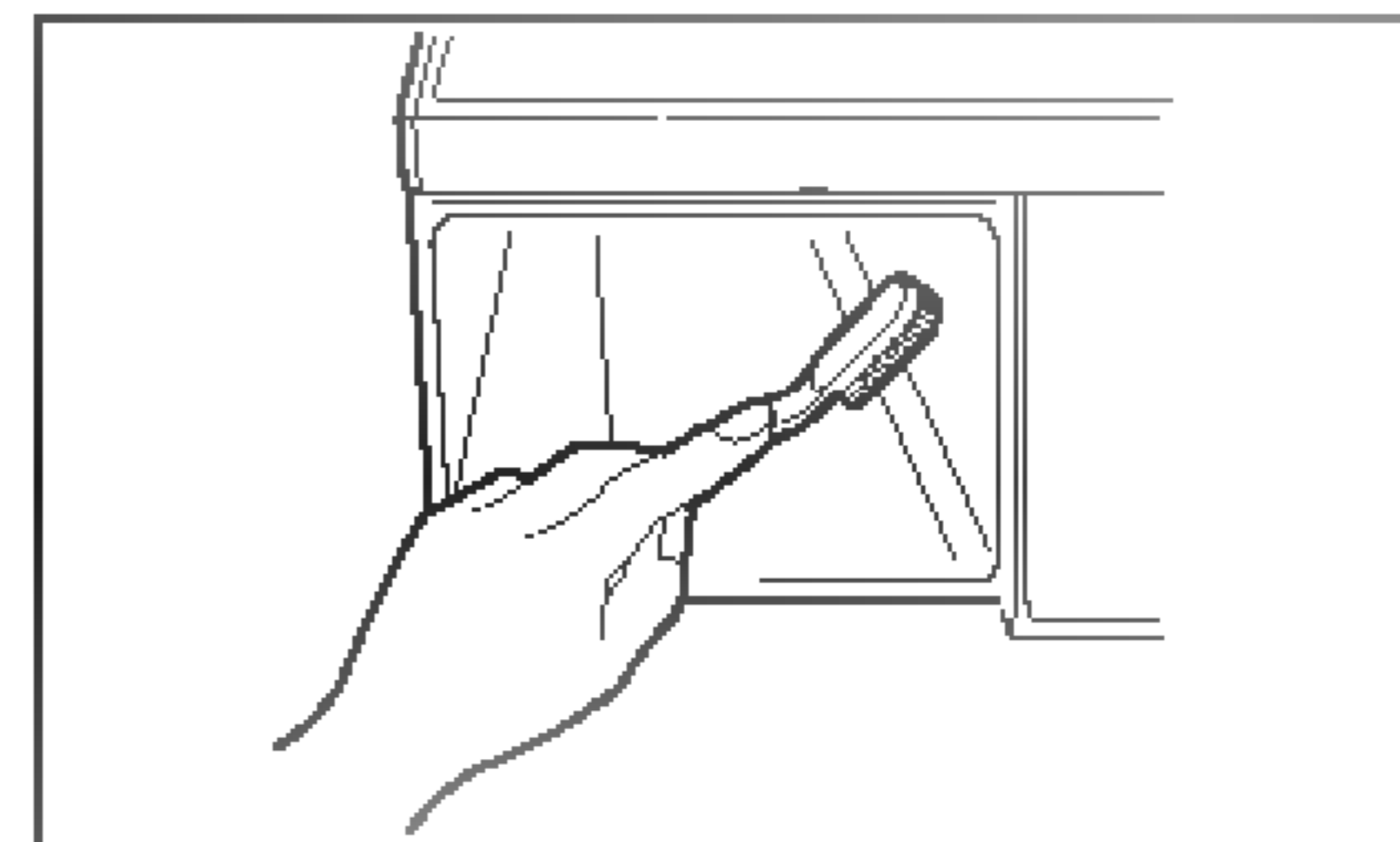
■ Dispenser drawer

- * After a while detergents and fabric softeners leave a deposit in the drawer.
- It should be cleaned from time to time with a jet of running water.
- If necessary it can be removed completely from the machine by pressing the catch downwards and by pulling it out.
- To facilitate cleaning, the upper part of the fabric softener compartment can be removed.



■ The drawer recess

- * Detergent can also accumulate inside the recess which should be cleaned occasionally with an old toothbrush.
- Once you have finished cleaning, replace the drawer and run a rinse cycle without laundry.



■ The washing drum

- If you live in a hard water area, limescale may continuously build up in places where it cannot be seen and thus not easily removed.
Over time the build up of scale clogs appliances, and if it is not kept in check these may have to be replaced.
 - Although the washing drum is made of Stainless steel, specks of rust can be caused by small metal articles (paper clips, safety pins) which have been left in the drum.
 - The washing drum should be cleaned from time to time.
 - If you use descaling agents, dyes or bleaches, make sure they are suitable for washing machine use.
- * Descaler may contain chemicals that may damage part of your washing machine.
 - * Remove any spots with a stainless steel cleaning agent.
 - * Never use steel wool.

■ Cleaning your washer

1. Exterior

Proper care of your washer can extend its life.

The outside of the machine can be cleaned with warm water and a neutral non abrasive household detergent.

Immediately wipe off any spills. Wipe with damp cloth.

Try not to hit surface with sharp objects.

* IMPORTANT: Do not use methylated spirits, diluents or similar products.

2. Interior

Dry around the washer door opening, flexible gasket and door glass.

Run washer through a complete cycle using hot water.

Repeat process if necessary.

NOTE Remove hard water deposits using only cleaners labeled as washer safe.

■ Cold condition

If the washer is stored in an area where freezing may occur or moved in freezing temperatures, follow these instructions to prevent damage to the washer:

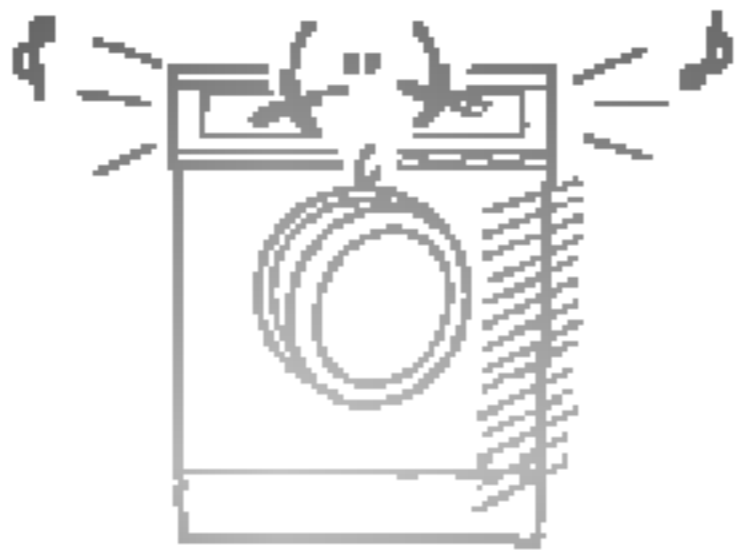
1. Turn off water supply tap.
2. Disconnect hoses from water supply and drain water from hoses.
3. Plug electrical cord into a properly grounded electrical outlet.
4. Add 1gallon(3.8L) of nontoxic recreational vehicle(RV) antifreeze into an empty wash drum.
Close the door.
5. Set spin cycle and let washer spin for 1minute to drain out all water.
Not all of the RV antifreeze will be expelled.
6. Unplug electrical power cord, dry the drum interior, and close the door.
7. Remove dispenser drawer drain and dry excessive water from the compartments.
8. Store washer in an upright position.
9. To remove antifreeze from washer after storage, run empty washer through a complete cycle using detergent. Do not add wash load.

* This washing machine is equipped with automatic safety functions which detect and diagnose faults at an early stage and react appropriately.

When the machine does not function properly or does not function at all, check the following points before you contact your service provider.

Symptom	Possible Cause	Solution
Rattling and clanking noise	<ul style="list-style-type: none"> Foreign objects such as coins or safety pins maybe in drum or pump. 	<p>Stop washer and check drum and drain filter.</p> <p>If noise continues after washer is restarted, call your authorised service centre.</p>
Thumping sound	<ul style="list-style-type: none"> Heavy wash loads may produce a thumping sound. This is usually normal. 	<p>If sound continues, washer is probably out of balance. Stop and redistribute wash load.</p>
Vibrating noise	<ul style="list-style-type: none"> Have all the transit bolts and packing been removed? Are all the feet resting firmly on the ground? 	<p>If not removed during installation. Refer to Installation guide for removing transit bolts.</p> <p>Wash load may be unevenly distributed in drum. Stop washer and rearrange wash load.</p>
Water leaks	<ul style="list-style-type: none"> Fill hoses or drain hose are loose at tap or washer. House drain pipes are clogged. 	<p>Check and tighten hose connections.</p> <p>Unclog drain pipe. Contact plumber if necessary.</p>
Oversudsing		<p>Too much detergent or unsuitable detergent may cause excessive foaming which may result in water leaks.</p>
Water does not enter washer or it enters slowly	<ul style="list-style-type: none"> Water supply is not adequate in area. Water supply tap is not completely open. Water inlet hose(s) are kinked. The filter of the inlet hose(s) clogged. 	<p>Check another tap in the house.</p> <p>Fully open tap.</p> <p>Straighten hose.</p> <p>Check the filter of the inlet hose.</p>
Water in the washer does not drain or drains slowly	<ul style="list-style-type: none"> Drain hose is kinked or clogged. The drain filter is clogged. 	<p>Clean and straighten the drain hose.</p> <p>Clean the drain filter.</p>

Symptom	Possible Cause	Solution
Washer does not start	<ul style="list-style-type: none"> • Electrical power cord may not be plugged in or connection may be loose. • House fuse blown, circuit breaker tripped, or a power outage has occurred. • Water supply tap is not turned on. 	<p>Make sure plug fits tightly in wall outlet.</p> <p>Reset circuit breaker or replace fuse. Do not increase fuse capacity. If problem is a circuit overload, have it corrected by a qualified electrician. Turn on water supply tap.</p>
Washer will not spin	<ul style="list-style-type: none"> * Check that the door is firmly shut. 	<p>Close the door and press the Start/Pause button. After pressing the Start/Pause button, it may take a few moments before the clothes washer begins to spin. The door must lock before spin can be achieved.</p>
Door does not open		<p>Once started, the door can not be opened for safety reasons. Wait one or two minutes before opening the door to give the electric locking mechanism time to release.</p>
Wash cycle time delayed		<p>The washing time may vary by the amount of laundry, water pressure, water temperature and other usage conditions.</p> <p>If the imbalance is detected or if the suds removing program works, the wash time shall be increased.</p>

Symptom	Possible Cause	Solution
<ul style="list-style-type: none"> ● Bio ● Rinse + [Water Inlet Error]	<ul style="list-style-type: none"> ● Water supply is not adequate in area. ● Water supply taps are not completely open. ● Water inlet hose(s) are kinked. ● The filter of the inlet hose(s) are clogged. 	Check another tap in the house. Fully open tap. Straighten hose(s). Check the filter of the inlet hose.
<ul style="list-style-type: none"> ● Pre Wash ● Crease Care [Drain Error]	<ul style="list-style-type: none"> ● Drain hose is kinked or clogged. ● The drain filter is clogged. 	Clean and straighten the drain hose. Clean the drain filter.
<ul style="list-style-type: none"> ● Pre Wash ● Crease Care ● 800(1000)(650) ● 600(800)(600) ● 500(600)(500) ● 400 ● No Spin ● Rinse Hold [Unbalance Error]	<ul style="list-style-type: none"> ● Load is too small. ● Load is out of balance. ● The appliance has an imbalance detection and correction system. If individual heavy articles are loaded (ex. bath mat, both robe, etc.) this system may stop spinning or even interrupt the spin cycle altogether. ● If the laundry is still too wet at the end of the cycle, add smaller articles of laundry to balance the load and repeat the spin cycle. 	Add 1 or 2 similar items to help balance the load. Rearrange load to allow proper spinning.
<ul style="list-style-type: none"> ● Bio ● Rinse + ● Pre Wash ● Crease Care ● 800(1000)(650) ● 600(800)(600) ● 500(600)(500) ● 400 ● No Spin ● Rinse Hold [Door Open Error]	 <ul style="list-style-type: none"> ● Is the door opened? 	Close the door. * If error is not released, call for service.
<ul style="list-style-type: none"> ● Bio ● Rinse + ● 800(1000)(650) ● 600(800)(600) ● 500(600)(500) ● 400 ● No Spin ● Rinse Hold [Heating Error]		Unplug the power plug and call for service.
<ul style="list-style-type: none"> ● 800(1000)(650) ● 600(800)(600) ● 500(600)(500) ● 400 ● No Spin ● Rinse Hold [Overflow Error]	<ul style="list-style-type: none"> ● Water overfills due to the faulty water valve. 	Close the water tap. Unplug the power plug. Call for service.
<ul style="list-style-type: none"> ● Bio ● Rinse + ● Pre Wash ● Crease Care [Sensor Pressure S/W Error]	<ul style="list-style-type: none"> ● Water level sensor has malfunctioned. 	

What Is Not Covered:

- Service trips to your home to teach you how to use the product.
- If the product is connected to any voltage other than that shown on the rating plate.
- If the fault is caused by accident, neglect, misuse or Act of God.
- If the fault is caused by factors other than normal domestic use or use in accordance with the owner's manual.
- Provide instruction on use of product or change the set-up of the product.
- If the fault is caused by pests for example, rats or cockroaches etc. .
- Noise or vibration that is considered normal for example water drain sound, spin sound, or warming beeps.
- Correcting the installation for example, levelling the product, adjustment of drain.
- Normal maintenance which recommended by the owner's manual.
- Removal of foreign objects/substances from the machine, including the pump and inlet hose filter for example, grit, nails, bra wires, buttons etc.
- Replace fuses in or correct house wiring or correct house plumbing.
- Correction of unauthorized repairs.
- Incidental or consequential damage to personal property caused by possible defects with this appliance.
- If this product is used for commercial purpose, it is not warranted.
(Example: Public places such as public bathroom, lodging house, training center, dormitory)

If the product is installed outside the normal service area, any cost of transportation involved in the repair of the product, or the replacement of a defective part, shall be borne by the owner.



- Disposal of your old appliance
 1. When this crossed-out wheeled bin symbol is attached to a product it means the product is covered by the European Directive 2002/96/EC.
 2. All electrical and electronic products should be disposed of separately from the municipal waste stream via designated collection facilities appointed by the government or the local authorities.
 3. The correct disposal of your old appliance will help prevent potential negative consequences for the environment and human health.
 4. For more detailed information about disposal of your old appliance, please contact your city office, waste disposal service or the shop where you purchased the product.

