



# **REFRIGERATOR- FREEZER**

**OWNER'S MANUAL**

**GR-212/GR-222**

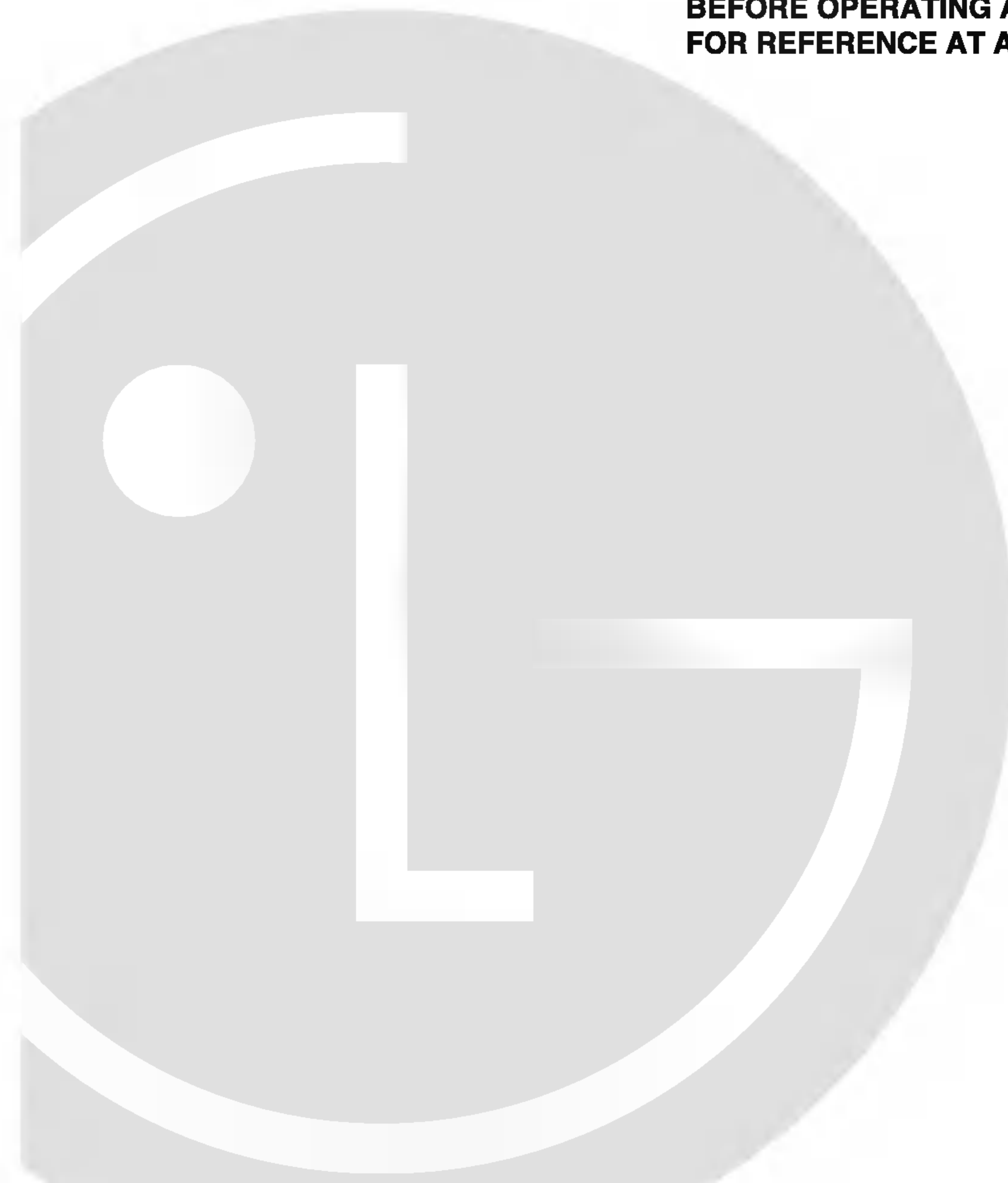
**GR-232/GR-242**

**LRD-212S**

**PLEASE  
READ THIS OWNER'S MANUAL THOROUGHLY  
BEFORE OPERATING AND KEEP IT HANDY  
FOR REFERENCE AT ALL TIMES.**



**LG Electronics Inc.**



# CONTENTS

INSTALLATION ..... 3

FEATURE CHART ..... 4

OPERATION ..... 5-7

Starting

Temperature Control

Ice Making

Chilled Compartment

Defrosting

Deodorizer

SUGGESTIONS ON FOOD STORAGE ..... 8

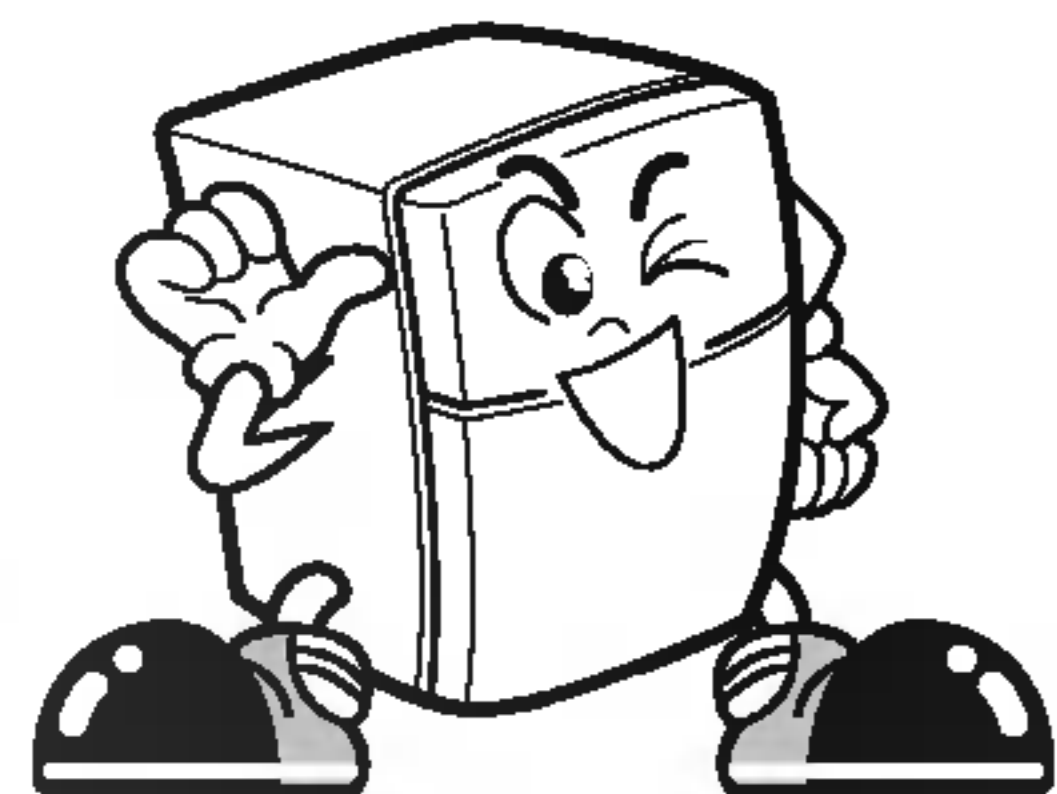
CLEANING ..... 9

GENERAL INFORMATION ..... 9

LAMP REPLACEMENT ..... 10

IMPORTANT WARNINGS ..... 10

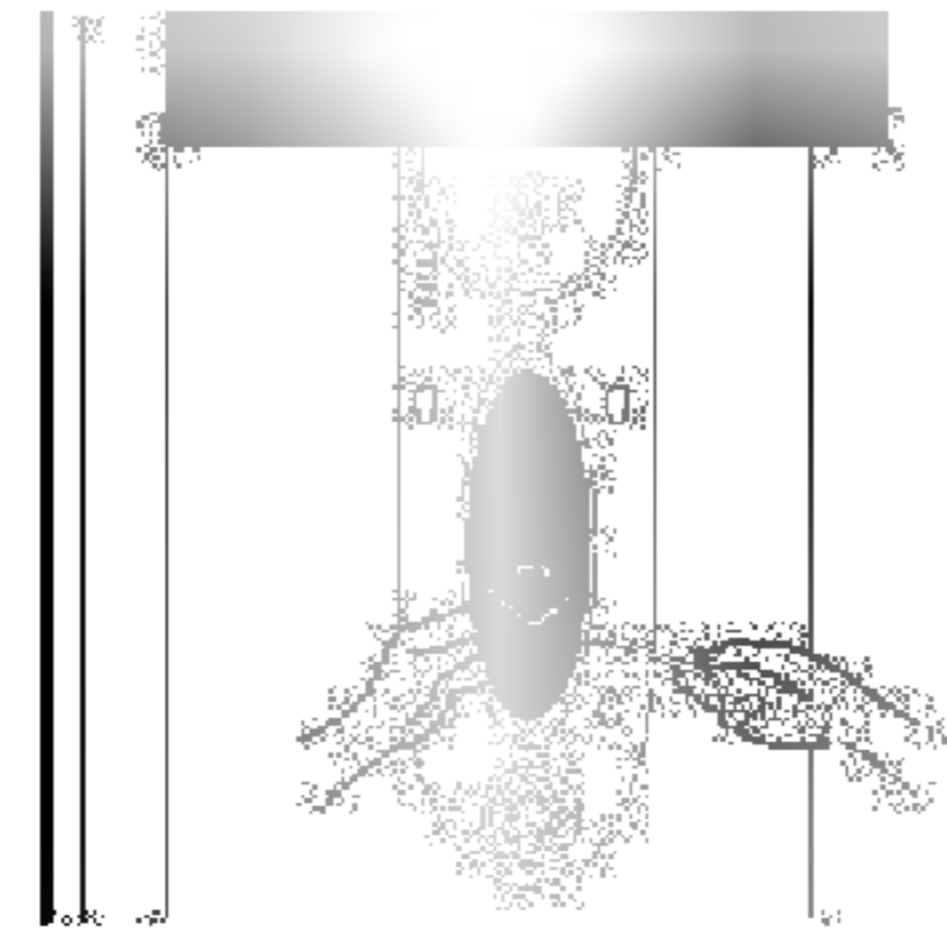
BEFORE CALLING FOR SERVICE ..... 11



**SERVICE CALLS CAN OFTEN BE VOIDED!**  
**IF YOU FEEL YOUR REFRIGERATOR IS NOT OPERATING PROPERLY, CHECK THESE POSSIBLE CAUSES FIRST:**

PROBLEM	POSSIBLE CAUSES
REFRIGERATOR DOES NOT OPERATE	Has a house fuse blown or circuit breaker tripped? Has the power cord plug been removed or loosened from the electrical wall outlet?
REFRIGERATOR OR FREEZER COMPARTMENT TEMPERATURE TOO WARM	Temperature control not set on proper position. Appliance is placed close to all heat sources. Warm weather - frequent door openings. Door left open for a long time. Large amount of food is kept in the refrigerator.
ABNORMAL NOISE(S)	Refrigerator is installed in a weak or uneven place, or leveling screws need adjusting. Unnecessary objects placed behind the refrigerator.
REFRIGERATOR HAS ODOR	Food with strong odor should be tightly covered or wrapped. Interior needs cleaning.
DEW FORMS ON THE CABINET SURFACE	Not unusual during periods of high humidity. Doors have been left ajar.

1. Unplug the power cord from the outlet.
2. Remove refrigerator shelves.
3. To remove the lamp cover, insert a slotted driver at the one of the underhole of the lamp cover and pull it out forwards.
4. Turn the lamp counter clockwise.
5. Assemble in reverse order of disassembly.  
Replacement bulb must be the same specification as original.



## IMPORTANT WARNINGS

### DON'T USE AN EXTENSION CORD

Use this appliance on a dedicated circuit; that is, one outlet that is the only outlet on the circuit. Overloading a circuit causes low voltage, malfunction, possible damage to the equipment, and poor cooling capacity. Check your local electric code or consult a qualified electrician if you have questions.

### DON'T MODIFY OR EXTEND THE POWER CORD LENGTH

It will cause electric shock or fire due to heat generation.

### ACCESSIBILITY SUPPLY PLUG

The refrigerator-freezer should be positioned so that the supply plug is accessible for quick disconnection if an accident happens.

### SUPPLY CORD REPLACEMENT

If the supply cord is damaged, it must be replaced by the manufacturer or replacement or a similarly qualified person in order to avoid a hazard.

### ABOUT GROUNDING (EARTHING)

In the event of an electric short circuit, grounding (earthing) reduces the risk of electric shock by providing an escape route for the electric current.

In order to prevent possible electric shock, this appliance must be grounded.

Improper use of the grounding plug can result in an electric shock. Consult a qualified electrician or service person if the grounding instructions are not completely understood, or if you have any doubts on whether the appliance is properly grounded.

### VERY DANGEROUS ATTRACTION

An empty refrigerator can be a dangerous attraction to children. Remove either gaskets, latches, lids or the entire door from your unused appliance, or take some other action to make it harmless.

This appliance must be grounded (earthed).

**DON'T WAIT! DO IT NOW!**

Do not store inflammable materials, explosives, or chemicals in the refrigerator.

THIS REFRIGERATOR IS MANUFACTURED WITH GREAT CARE AND UTILIZES THE LATEST TECHNOLOGY. WE ARE CONFIDENT THAT YOU WILL BE FULLY SATISFIED WITH ITS PERFORMANCE AND RELIABILITY. BEFORE USING YOUR REFRIGERATOR, PLEASE READ THIS BOOKLET CAREFULLY. IT PROVIDES EXACT INSTRUCTIONS FOR INSTALLATION, OPERATION, AND MAINTENANCE, AND ALSO SUPPLIES SOME USEFUL HINTS.

## INSTALLATION

### SELECT A GOOD LOCATION

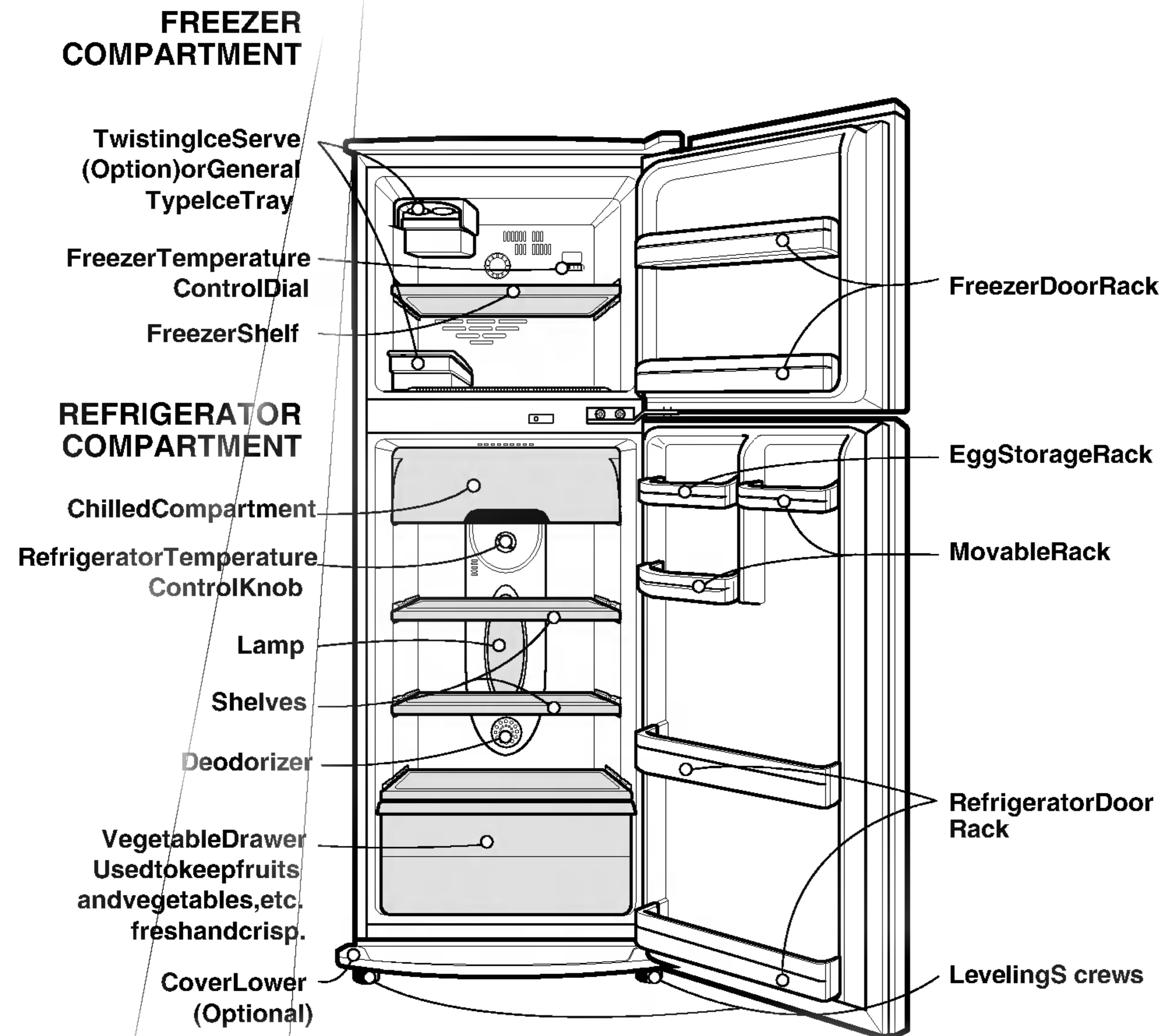
1. Place your refrigerator where it is easy to use.
2. Avoid placing the refrigerator near heat sources, direct sunlight or moisture.
3. Air must circulate properly around your refrigerator to ensure efficient operation. If your refrigerator is placed in a recessed area in the wall, allow at least 10 inches (25 cm) or greater clearance above the refrigerator and 2 inches (5 cm) or more from the wall. The refrigerator should be leveled 1 inch (2.5 cm) from the floor, especially if the floor is carpeted.
4. To avoid vibrations, the refrigerator must be level. If necessary, adjust the leveling screw(s) to compensate for unevenness of the floor. To close the doors easily, the front doors should be slightly higher than the rear. Leveling screw(s) can be turned easily by tipping the cabinets lightly. Turn the leveling screw(s) clockwise to raise the refrigerator, counter-clockwise to lower it.

### NEXT

1. Wipe off all dust accumulated during shipping and clean your refrigerator thoroughly.
2. Install accessories such as the ice maker, evaporator tray cover, etc., in their proper places. They are packed together to prevent possible damage during shipping.
3. Connect the power supply cord (or plug) to the outlet. Don't double plug with other appliances on the same outlet.
4. Prior to use, let the refrigerator run for 2-3 hours. Check the low frost compartment to ensure proper cooling has taken place. Your refrigerator is now ready for use.



# FEATURE CHART



# CLEANING

It is important that your refrigerator be kept clean to prevent undesirable odors. Spilled food should be wiped up immediately, since it may acidify and stain plastic surfaces if allowed to settle.

Never use metallic scouring pads, brushes, coarse abrasive cleaners, or strong alkaline solutions on any surface.

Before you clean, remember that damp objects will stick or adhere to extremely cold surfaces. Do not touch frozen surfaces with wet or damp hands.

**EXTERIOR-** Use lukewarm solution of mild soap or detergent to clean the exterior. Finish off your refrigerator. Wipe with a clean, damp cloth and then dry.

**INTERIOR-** Regular cleaning of the interior and interior parts is recommended. If you have an automatic defrost model, it will defrost automatically, leaving both doors open during the defrosting process. Disconnect the power supply, and remove food from all compartments, shelves, storage trays, etc. Wash all compartments with a baking soda solution. Rinse and dry.

**INTERIOR PARTS-** Wash compartments, shelves, door racks, storage trays, and magnetic door seals, etc. with the baking soda solution or mild detergent and warm water. Rinse and dry.

## WARNING

Always remove power from the refrigerator before cleaning the interior electrical parts (lamps, switches, controls, etc.). Wipe up excess moisture with a sponge or cloth to prevent water or liquid from getting into any electrical part and cause electrical shock. Do not use flammable or toxic cleaning liquids.

# GENERAL INFORMATION

## VACATION TIME

During a vacation, you will probably find it best to leave the refrigerator in operation. Place frozen items in the freezer for longer life. When you plan to be away for an extended period, remove all food, disconnect the power cord, clean the interior thoroughly, and leave each door OPEN to prevent odor formation.

## POWER FAILURE

Most power failures are corrected in an hour or two and will not affect your refrigerator temperatures. However, you should minimize the number of door openings while the power is off. During power failures of longer duration, place a lock on the door to prevent your frozen packages.

## DRY ICE WARNING

When using dry ice, provide adequate ventilation. Dry ice is frozen carbon dioxide (CO<sub>2</sub>). When it vaporizes, it can displace oxygen, causing dizziness, light-headedness, unconsciousness, and death by suffocation. Open a window and don't breathe the vapors.

## IF YOU MOVE

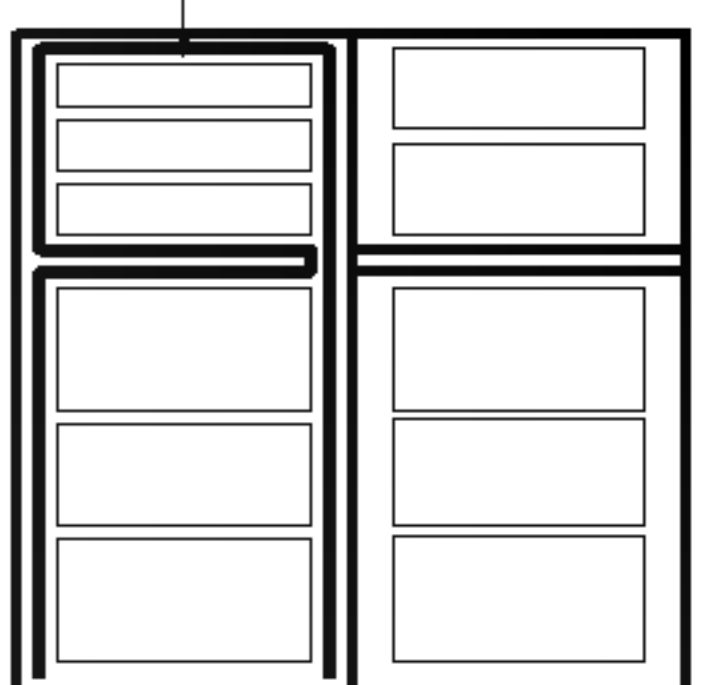
If you move, empty the refrigerator (freezer) completely and wash with a mild solution of baking soda and water (2 TBSPs soda to 1 quart water). Be sure the soda is completely dissolved to avoid scratching the inside of the refrigerator (freezer). Secure any loose items, such as racks, bins, ice trays, etc. Do not try to move a loaded refrigerator.

## ANTI-CONDENSATION PIPE

The outside wall of the refrigerator cabinet may sometimes get warm, especially just after installation.

Don't be alarmed. This is due to the anti-condensation pipe, which pumps hot refrigerant to prevent weeping on the outer cabinet wall.

Anti-Condensation Pipe



# SUGGESTIONS ON FOOD STORAGE

## STORING FOOD

- Store fresh food in the refrigerator compartment. How food is frozen and thawed is an important factor in maintaining its freshness and flavor.
- Do not store food which goes bad easily at low temperatures, such as bananas, pineapples, and melons.
- Allow hot food to cool prior to storing. Placing hot food in the refrigerator could spoil other food and lead to higher electric bills!
- When storing, cover food with vinyl wrap or store in a container with a lid. This prevents moisture from evaporating and helps food to keep its taste and nutrients.
- Do not block air vents with food. Smooth circulation of chilled air keeps refrigerator temperatures even.
- Do not open the door frequently. Opening the door lets warm air enter the refrigerator, causing temperature to rise.

## FREEZER COMPARTMENT

- Do not store bottles in the freezer compartment - they may break when frozen.
- Do not freeze food that has been thawed. This deteriorates taste and nutrition.
- When storing frozen food like ice cream, place it on the freezer shelf, not in the door rack.

## REFRIGERATOR COMPARTMENT

- Avoid placing moist food deep inside refrigerator shelves, it could freeze upon direct contact with chilled air.
- Always clean food prior to refrigeration. Vegetables and fruit should be washed and wiped, and packed food should be wiped clean to prevent adjacent food from spoiling.
- When storing eggs in their storage rack, ensure that they are fresh. Always store them in upright position, which keeps them fresh longer.

# OPERATION

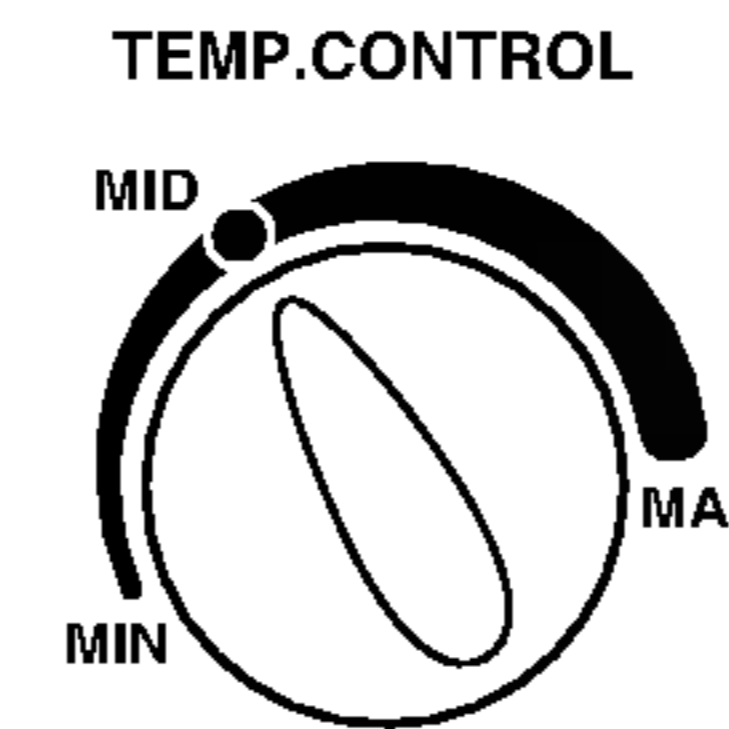
## STARTING

When your refrigerator is first installed, allow it 2-3 hours to stabilize at normal operating temperatures prior to filling it with fresh or frozen foods. If operation is interrupted, allow 5 minutes to delay before restarting.

## BEFORE SETTING THE TEMPERATURE

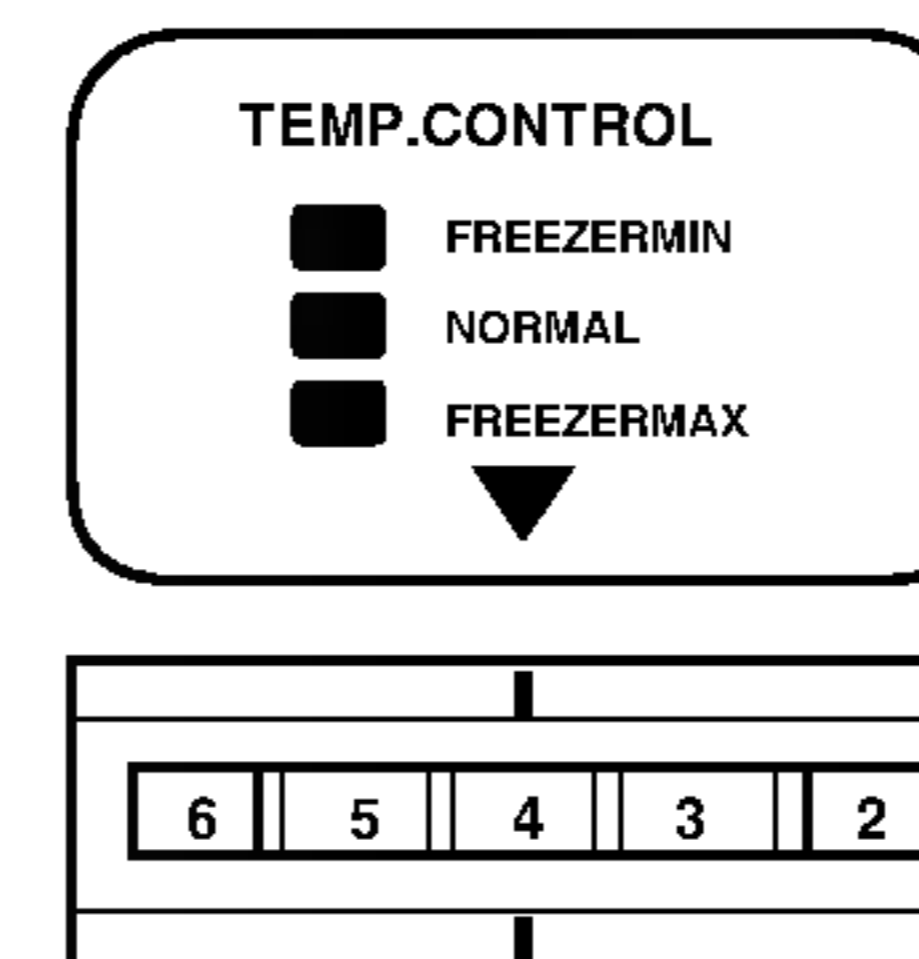
- This refrigerator has one temperature control knob for the refrigerator compartment and one temperature control dial for the freezer compartment.
- The default setting of the temperature control knob for the refrigerator compartment is 'MID'.
- The default setting of the temperature control dial for the freezer compartment is '4'.

## CONTROLS FOR REFRIGERATOR COMPARTMENT



- For colder temperatures, adjust the control knob to MAX, and for warmer temperatures, adjust the control knob to MIN position.

## CONTROLS FOR FREEZER COMPARTMENT



- TEMP. CONTROL -1, 2, 3, 4, 5, 6, 7. Setting at "7", the freezer compartment becomes colder. But the refrigerator compartment becomes warmer because less cold air flows into the refrigerator compartment.
- In cold weather, the unit operates less and the freezer compartment has a tendency to warm up. For colder freezer, turn the TEMP. CONTROL to "6" ~ "7".
- If you take a lot of food in the freezer or open its door frequently, its temperature is apt to become somewhat higher. In this case, set the TEMP. CONTROL dial between 6 and 7 to cool it. Return the TEMP. CONTROL dial to their original position to cut down the consumption of energy.
- In hot weather or to put much food in the refrigerator compartment, the refrigerator compartment has a tendency to warm up. For colder refrigerator, turn the TEMP. CONTROL to "2" ~ "4" to direct more cold air into the refrigerator compartment. Setting at "6" ~ "7" of the TEMP. CONTROL, the refrigerator compartment will not be cold enough.



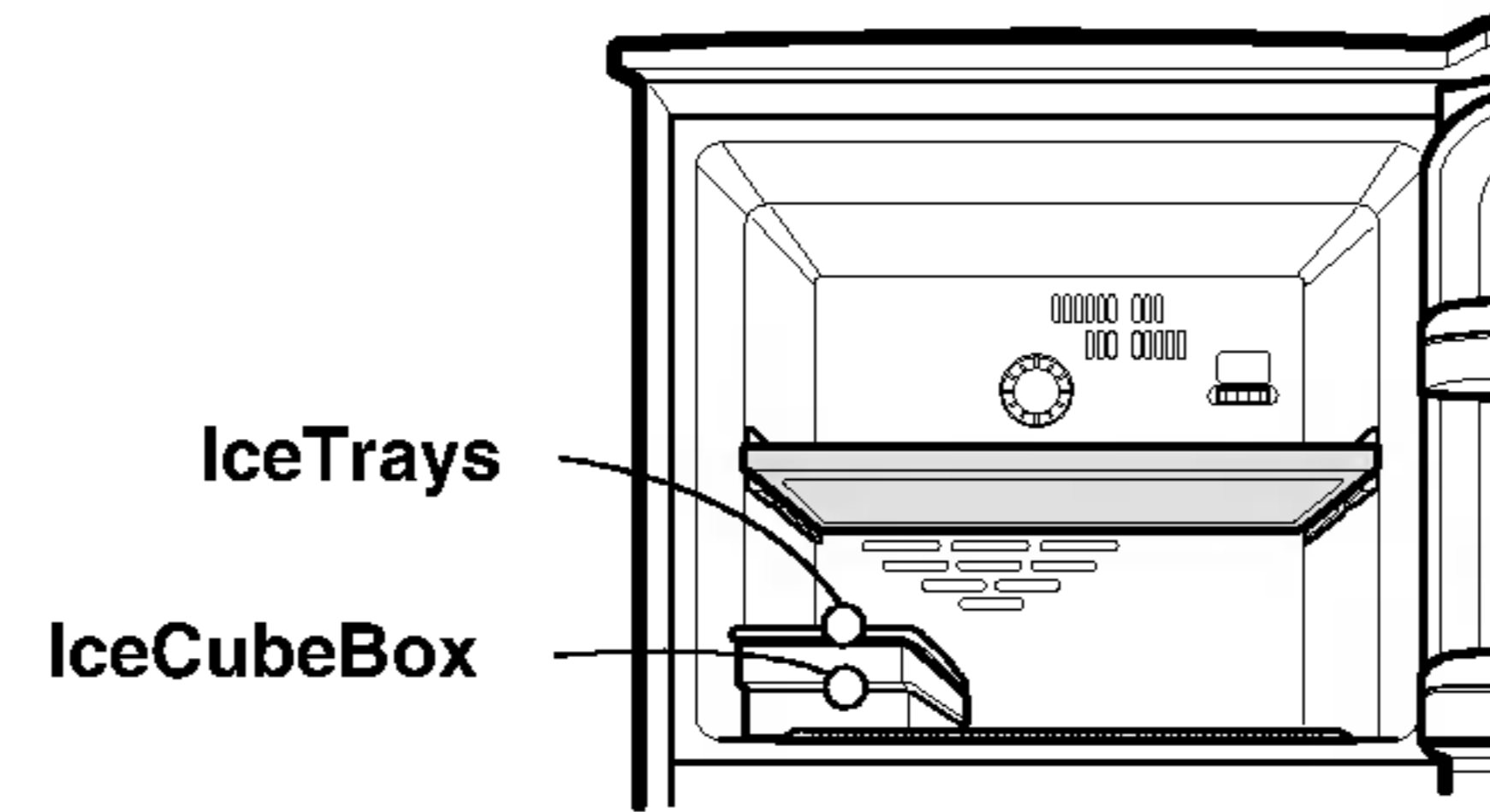
# OPERATION

## ICEMAKING

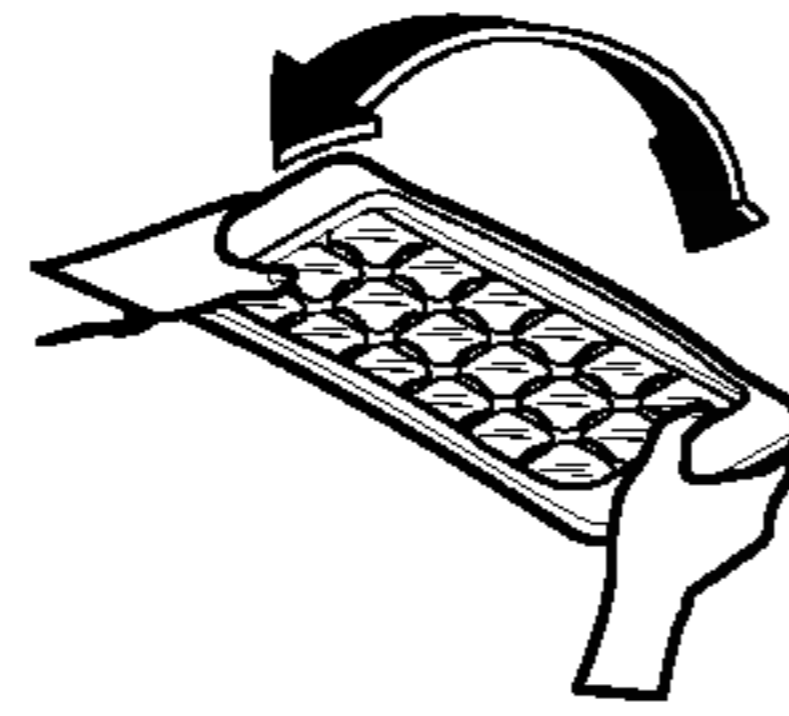
Determine which type ice-making system you have.

### General Type

- To make ice cubes, fill the tray with water and place it on the ice cube box. Then insert the ice cube box in the freezer compartment.

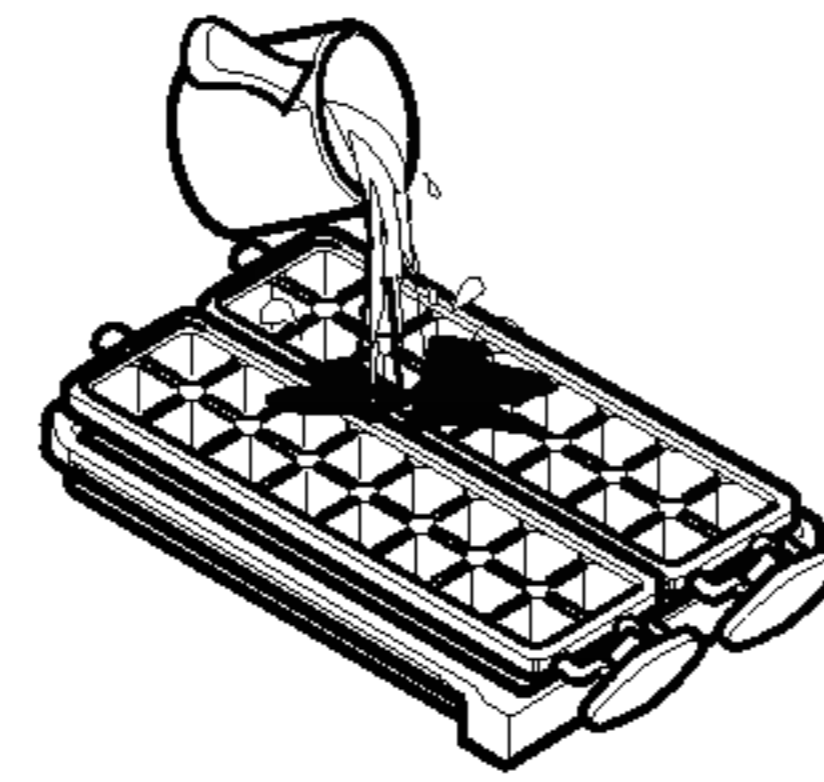


- To remove ice cubes, hold the tray and twist gently.

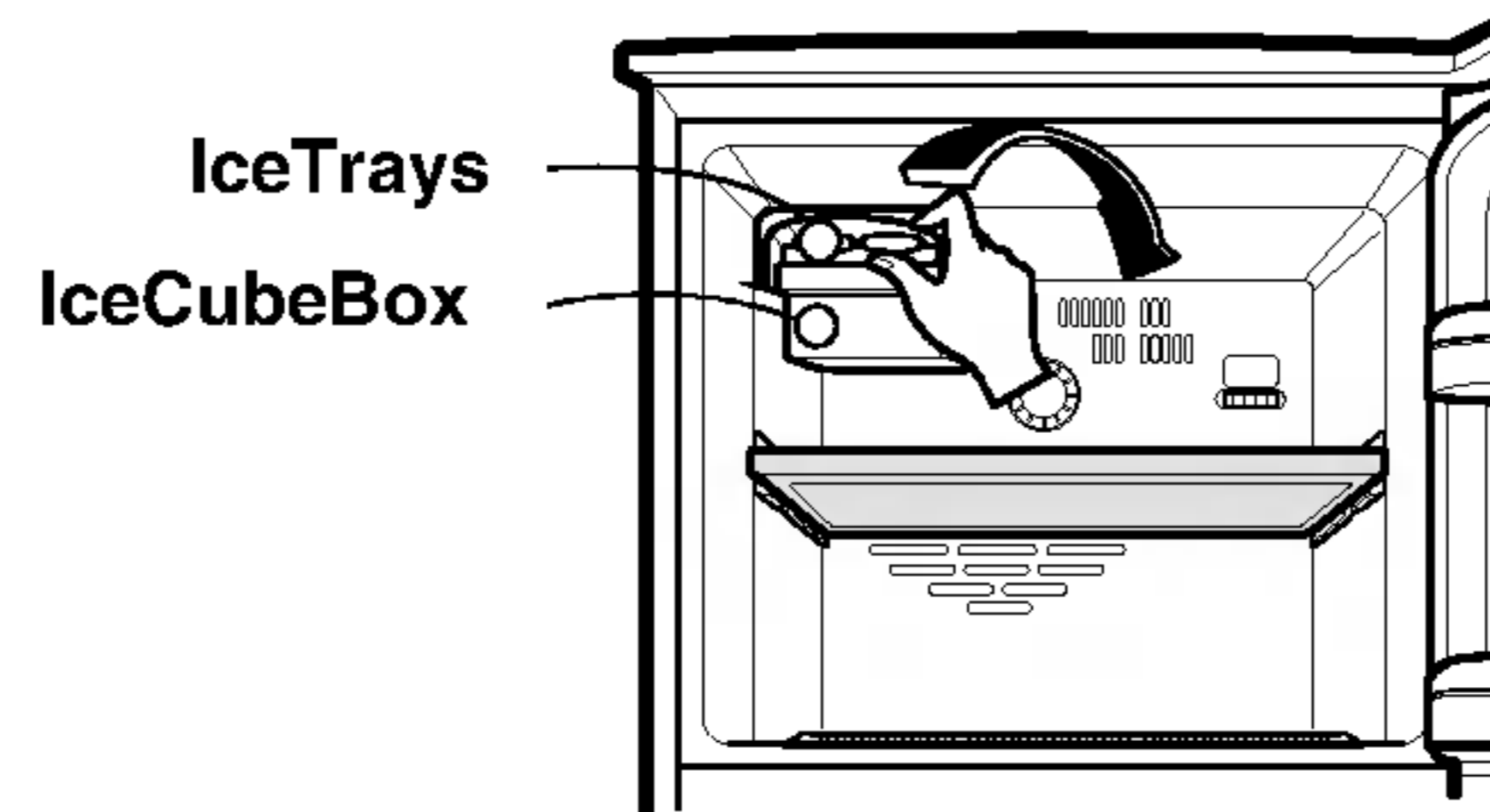


### Twisting Ice Ser vice Type

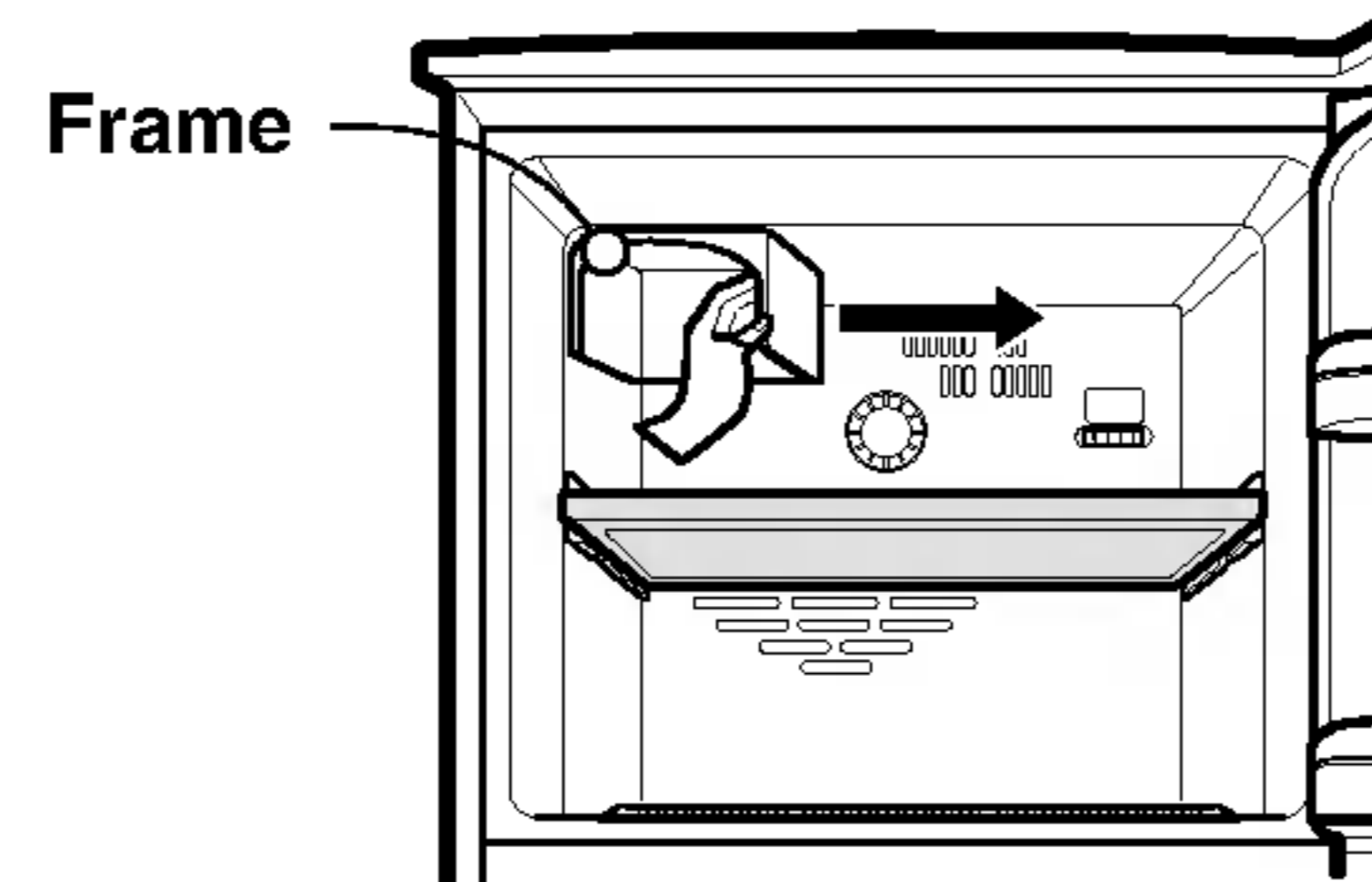
- To make ice cubes, fill the tray with water and insert it in its position.



- To remove ice cubes, hold the knob of the tray and turn gently. Then, ice cubes drop in the ice cube box.



- You can remove the twisting Ice Ser vice to make the freezer compartment larger.

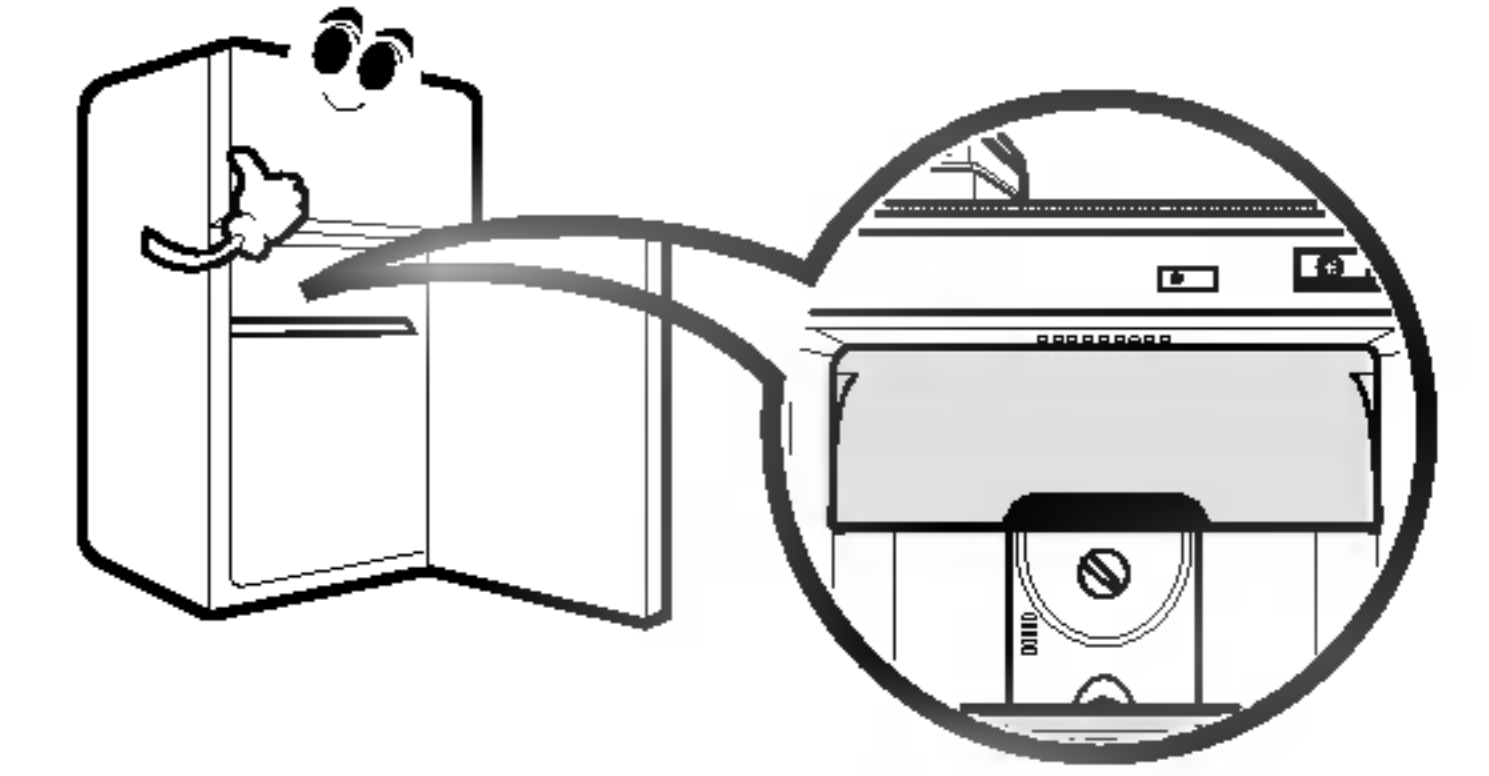


- You should remove the trays and IceCubeBox first, then pull the frame out to the right side.

# OPERATION

## CHILLED COMPARTMENT

When the door is opened, the warmer air doesn't influence the fresh meat. You can keep food fresher in it.



## DEFROSTING

- Defrosting takes place automatically.
- The defrosted water flows down to the evaporating tray which is located in the lower back side of the refrigerator and is evaporated automatically.

## DEODORIZER

- By using a catalyst, deodorizing performance is guaranteed.
- Unpleasant odor of food in the fresh food compartment is deodorized with no harm to you and the food.

### How to use

- Do not prick the deodorizer with a sharp tip because the deodorizing catalyst may be damaged.
- When storing food with a strong odor, wrap it or store it in a container with a lid because the odor may be passed to other foods.

