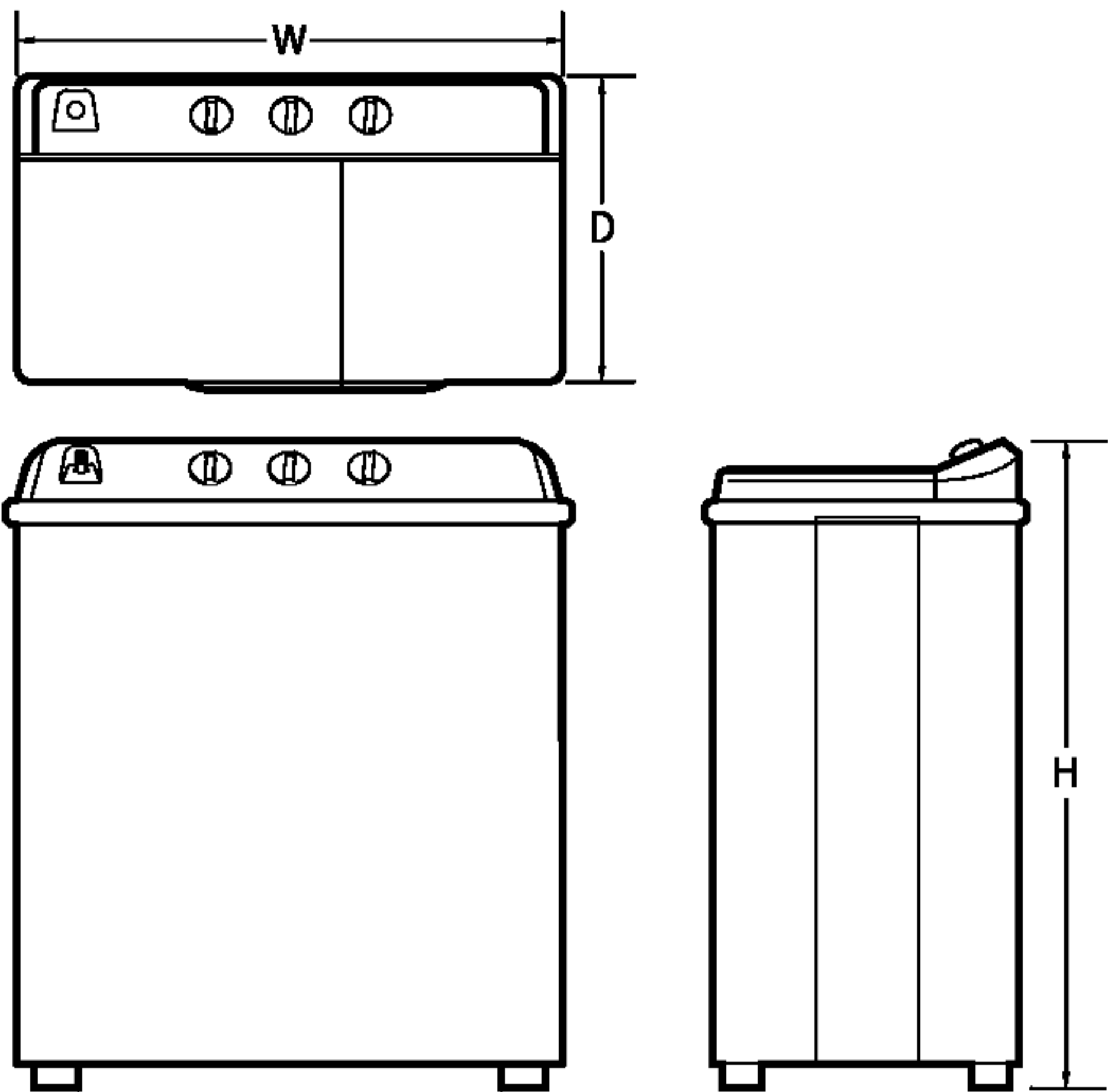
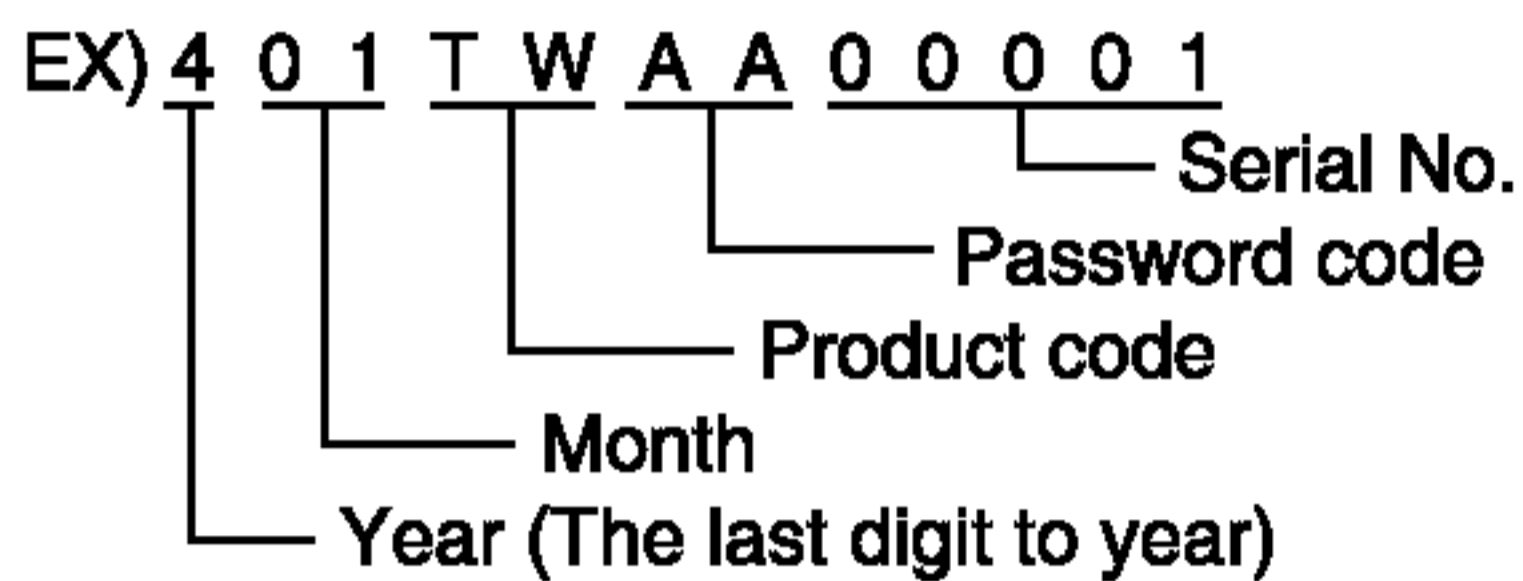


# SPECIFICATION



Power source	ON SPECIFICATION LABEL
Water Level	H : 34l
Water Pressure	Less than 100kPa (1kgf/cm <sup>2</sup> )
Dimension	686 X 412 X 835 mm. (W X D X H)
Weight	For Non-Pump Model 17 kg
	For Pump Model 17.6 kg

- How to read the manufactured month and year from the label stuck on the back of the product.



- Main service part list : Refer to below listed part name when you need service call.

Part name	Remark
- WASH MOTOR	85-90 W (Output)
- SPIN MOTOR	25-40 W (Output)
- WASH TIMER ASSEMBLY	
- CAPACITOR	
- P. SHAFT ASM.	

P/No. : 3828EY3032A



# Washing Machine OWNER'S MANUAL

MODEL : WP-570N(P)/WP-580N(P)  
WP-582N(P)/WP-590N(P)  
WP-680N(P)

Please read the operating instructions carefully and thoroughly before installing and operating your washing machine. This washing machine is designed and manufactured for household use only.

## CAUTION

CAUTION	
<b>Installation Area</b> <ul style="list-style-type: none"> <li>Avoid area exposed to snow, rain, or where humidity is high. It may cause electric shock.</li> </ul>	<b>Heat</b> <ul style="list-style-type: none"> <li>Avoid electric heater, candle light, cigarette light, bug smoker, etc. near the machine. It may ignite or deform plastic part.</li> </ul>
<b>Switch Area</b> <ul style="list-style-type: none"> <li>Avoid watering on the switch area. It may cause electric shock or fire.</li> </ul>	<b>Hot water</b> <ul style="list-style-type: none"> <li>Avoid using hot water over 50°C. It may deform plastic parts or cause malfunction.</li> </ul>
<b>Volatile Material</b> <ul style="list-style-type: none"> <li>Do not use volatile material such as Benzene, Gasoline, bug killer. Do not leave strong alkaline substance such as bleach inside the tub. Damage on plastic surface and rubber parts may occur.</li> </ul>	<b>In Operation</b> <ul style="list-style-type: none"> <li>Do not insert the hand inside the spin dryer basket while the machine is in operation (Do not let children climb on the machine or climb into the tub. Injury may occur.)</li> </ul>
<b>Installation</b> <ul style="list-style-type: none"> <li>Install the washing machine on a horizontal support. Otherwise, it may cause vibration and noise.</li> </ul>	<b>Power Cord</b> <ul style="list-style-type: none"> <li>If the power supply cord is damaged, it must only be replaced by the manufacture or its service agent or a similarly qualified person in order to avoid a hazard.</li> </ul>
<ul style="list-style-type: none"> <li>Be sure to disconnect the power cord from the electric outlet before starting care and maintenance.</li> </ul>	
<ul style="list-style-type: none"> <li>Be sure to earth the washer to prevent electric shock. To reduce the risk of electric shock, do not install the washer in humid spaces.</li> </ul>	
<b>Connecting the drain hose</b> <b>For Non-Pump Model</b> <ul style="list-style-type: none"> <li>Be sure to reroute the hose so that it is not kinked; kinks or sharp bending in the hose will prevent proper drainage.</li> <li>Make sure water is drained smoothly by placing a base under the machine or by applying other appropriate mean.</li> </ul>	
<b>For Pump Model</b> <ul style="list-style-type: none"> <li>L ≤ 1 m.</li> </ul>	

## FEATURES

**WATER INLET**

Entry point of water source.

**WASH TIMER**

Select the desired time for washing or rinsing.

**DRAIN SELECTOR**

For Non-Pump Model  
Select "WASH • RINSE" for washing and rinsing, and "DRAIN" to drain the washer from the cabinet.  
For Pump Model  
Select "WASH • RINSE" for washing, rinsing and turn off the drain pump, and "DRAIN" to drain the washer from the cabinet, and "OFF" to turn off the drain pump

**SPIN TIMER**

Used to select the desired time for spinning.



# INSTALLATION

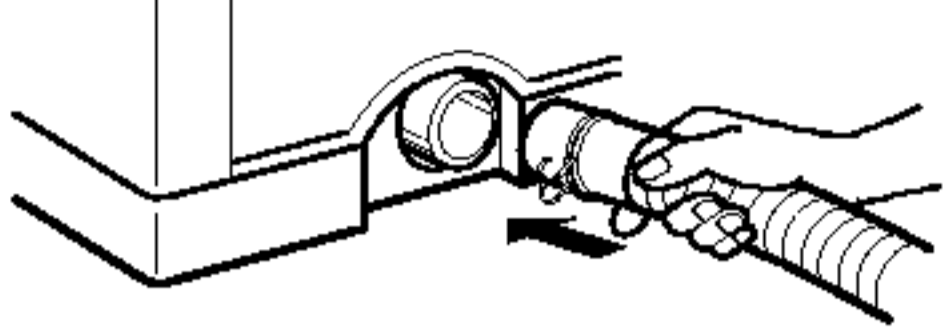
## Installation area

- Set on flat and firm floor
- Incorrect installation may cause severe noise and break down.

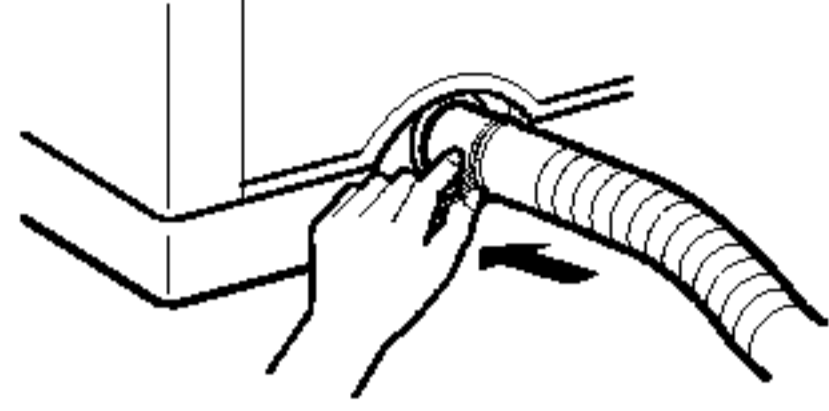


## Connecting the drain hose

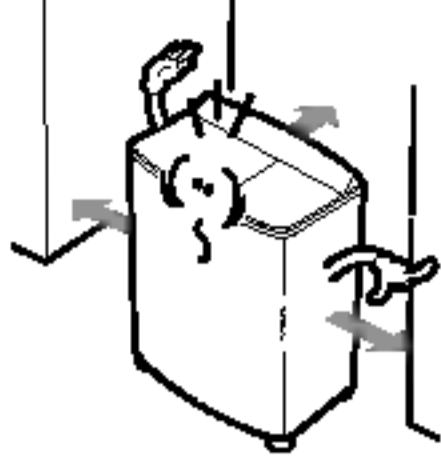
- Connect the drain hose to the outlet of the plunger valve located at the back side of the washing machine.



- Push the clamp toward the body of the washing machine as shown in the figure.



- Maintain more than 10 cm between the side of drain hose and the wall.
- A carpet must not obstruct the ventilation openings.



## Voltage Change (Only for Dual Voltage)

1. Unplug the power cord from the electric outlet. Use screwdriver to remove back cover.
2. Remove the bag covering the lead wire couplers.
3. To change the voltage setting from 220V to 110(127)V, disconnect the coupler marked "220V" and connect the coupler marked "110(127)V", to change the voltage setting from 110(127)V to 220V, disconnect the coupler marked "110(127)V" and connect the coupler marked "220V".
4. Cover the couplers with the bag and reattach the back cover.
5. Be sure to indicate the new voltage setting on the "Present Voltage" label for future reference.

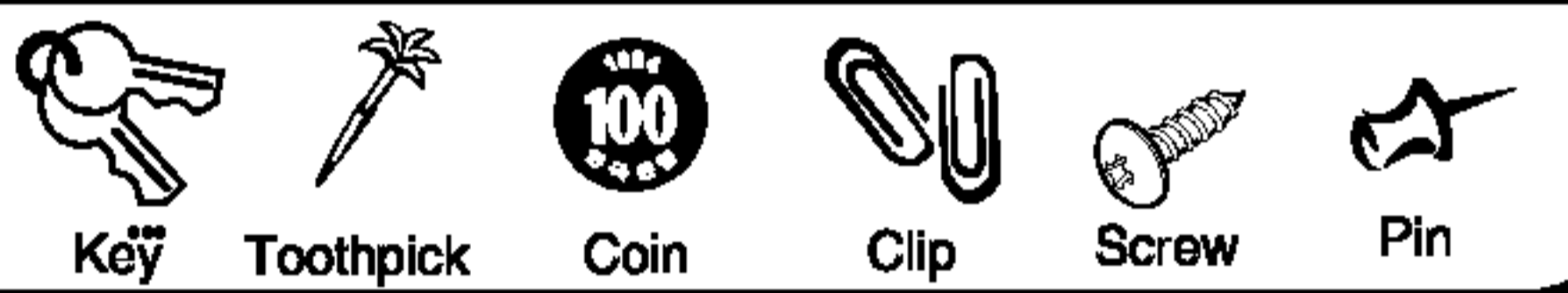


## Before washing

1. Check the washing instruction labels on the clothing to be washed.
2. Remove all objects from the pockets of the clothing. Objects left in the pockets may damage clothing or the washing machine (could cause the drain hose to clog).
3. After separating oiled or dyed clothing, wash.
4. For your convenience hang up the wash cover on the right or left side of the washing machine tub when not in use.



### Remove this before washing

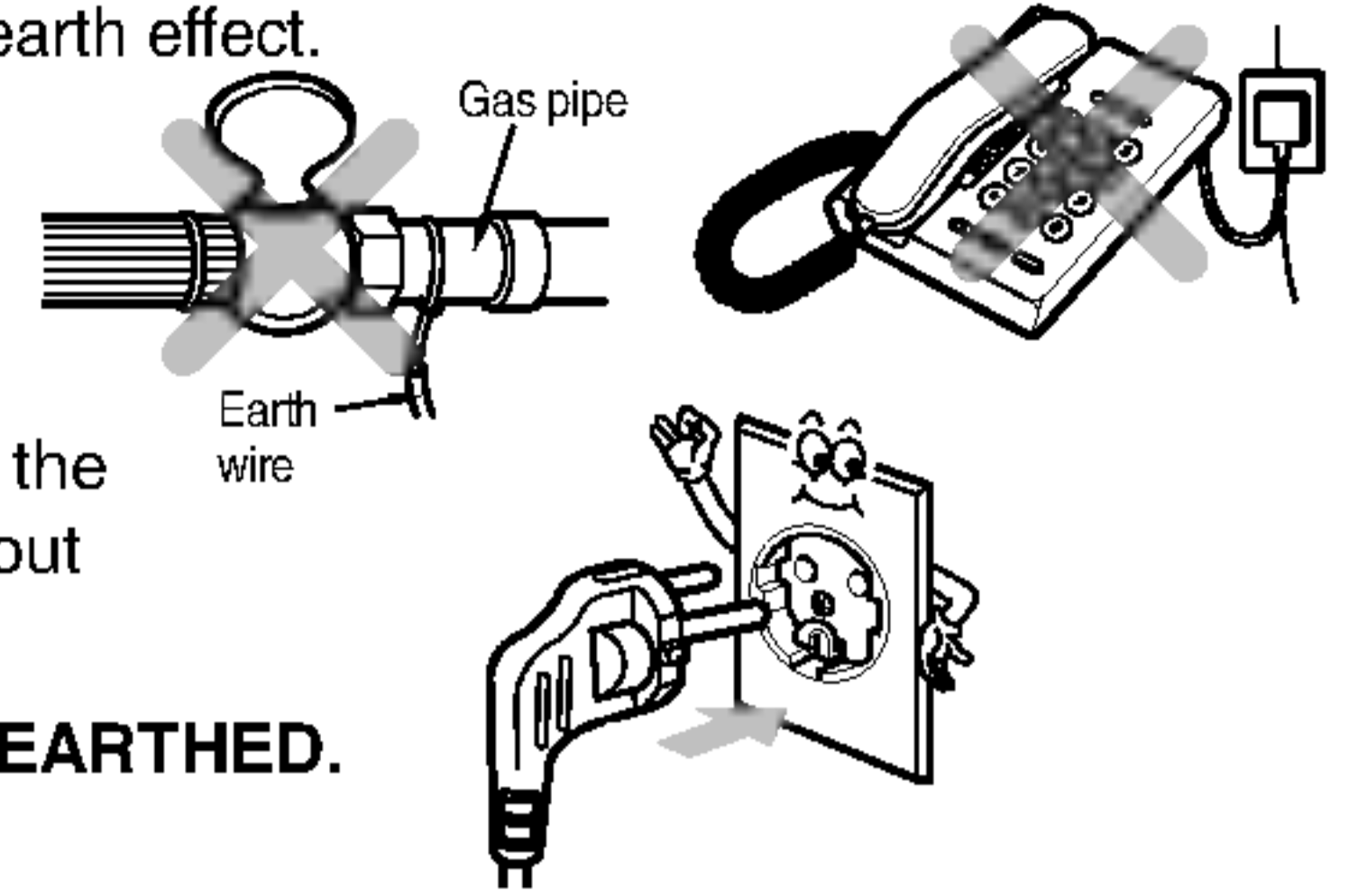


4

# INSTALLATION & HOW TO WASH

## Connecting the earth wire and the power plug

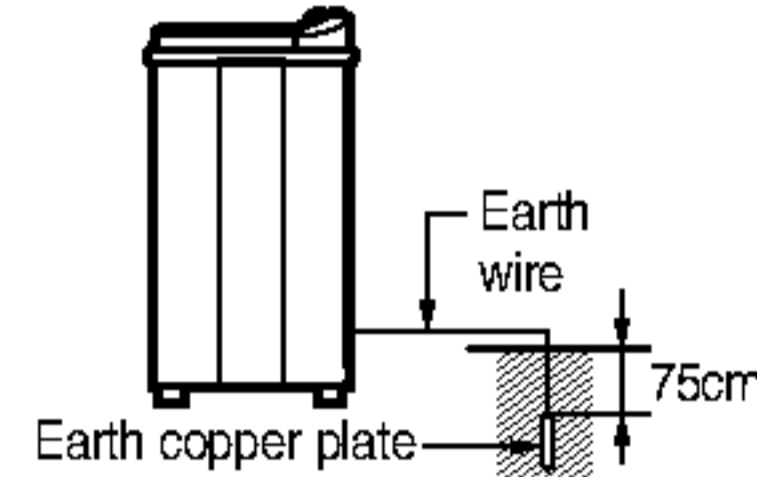
- Install the earth wire to prevent short-circuit due to leaking current and electric shock.
- It is attached at the back of the washer. Connect it to the metal water pipe. If the water pipe is made of plastic, it does not have the earth effect.
- Never connect the earth wire to the gas pipe, lightning arrester, telephone connector, etc.
- Insert the power plug into the outlet.
- Before connecting the power plug, check if the voltage setting of the washer matches the outlet voltage.



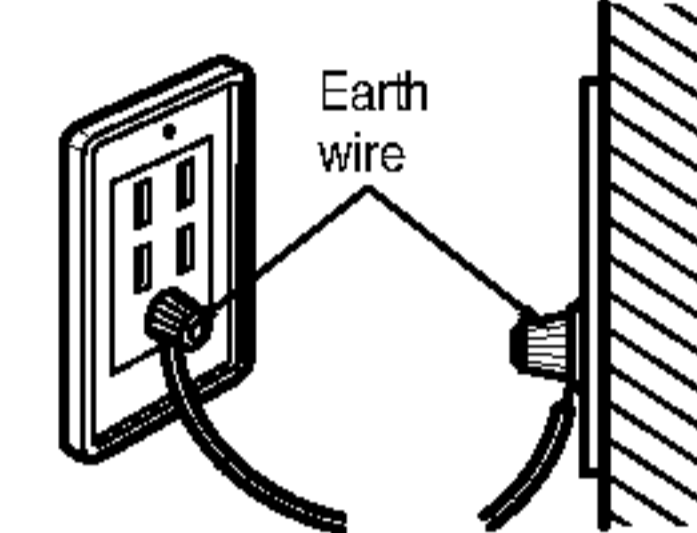
**\* WARNING-THIS APPLIANCE MUST BE EARTHED.**

## Other earthing method

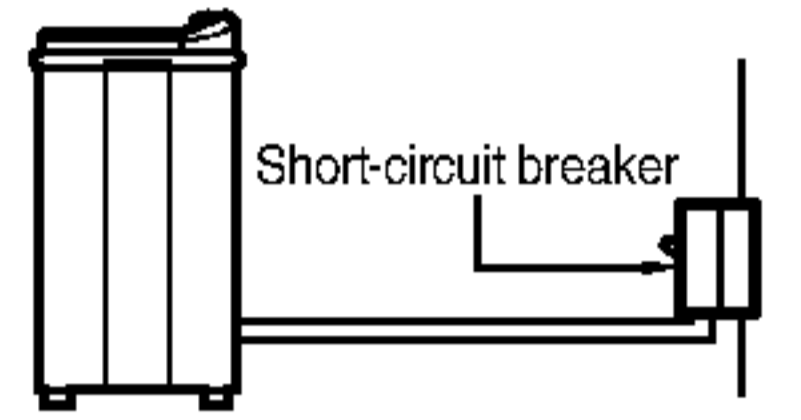
- After connecting the earth wire to the earth copper plate, bury it at least 75cm deep under the wet ground.



- Connect to the earthing-only outlet.



- When installing it in an area where earthing is not possible, purchase a short-circuit breaker connect it to the outlet.



## Washing



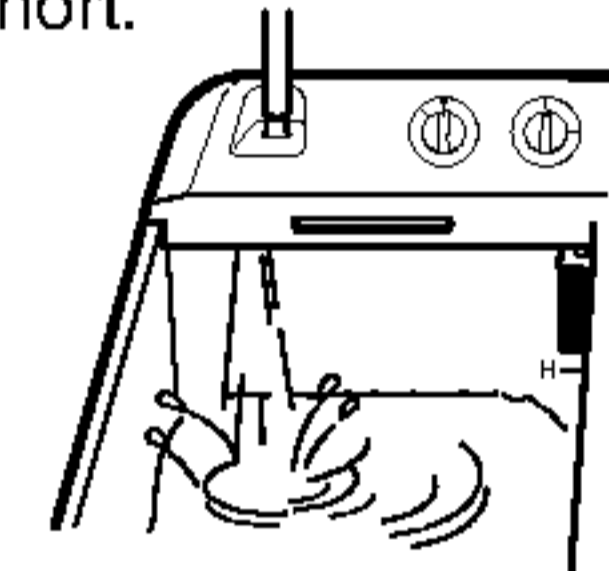
Caution : Don't rotate knob over on spot curve. (■■■■■■)

### For Non Pump Model

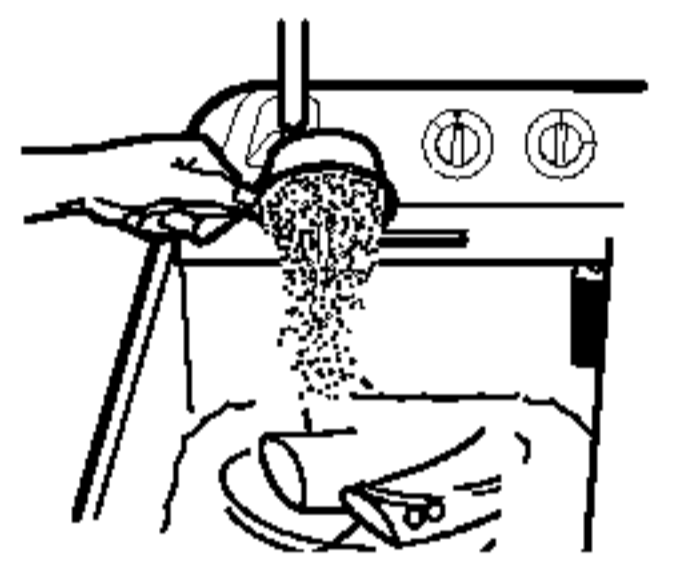
1. Set the drain selector to "WASH•RINSE" position.



2. Fill water till water level mark "H". That is because clothes can absorb adequate amount of water and water will not short.



3. Put the appropriate amount of detergent and the laundry into the wash tub. And add water to the desired water level which you want.



### For Pump Model

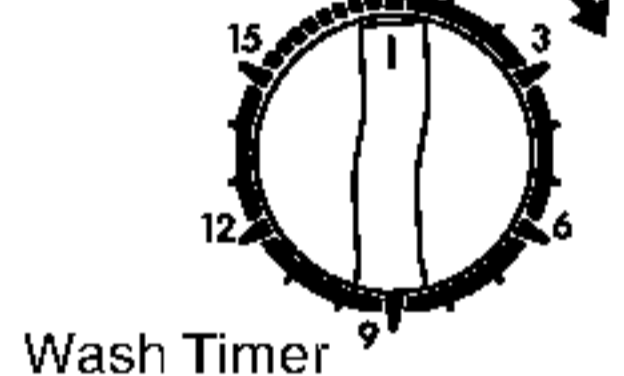


Drain Selector

5

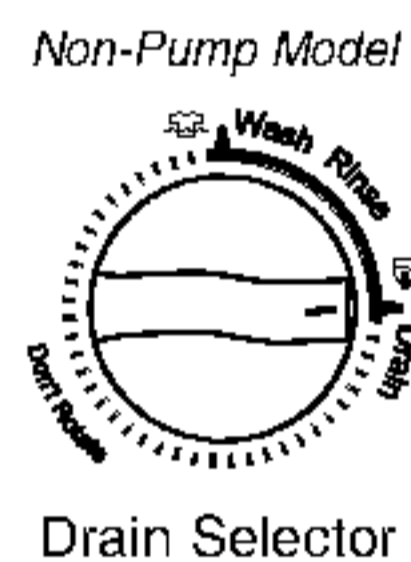
# HOW TO WASH & HOW TO RINSE

4. Set the desired wash time.

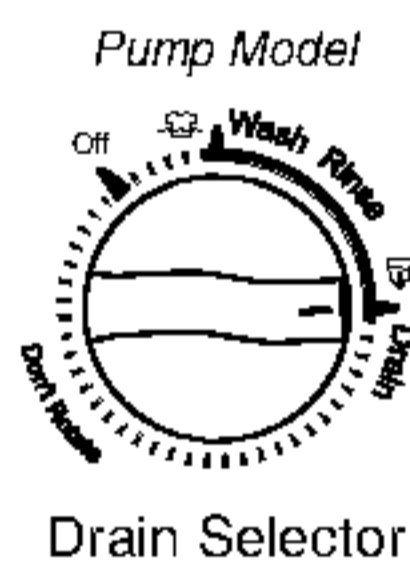


Wash Timer

5. When washing is finished, locate the drain selector to "DRAIN" position and drain the water out.



Drain Selector

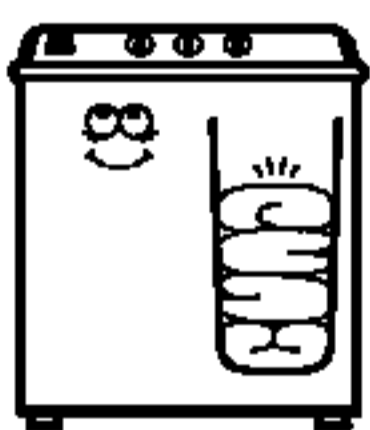


Drain Selector

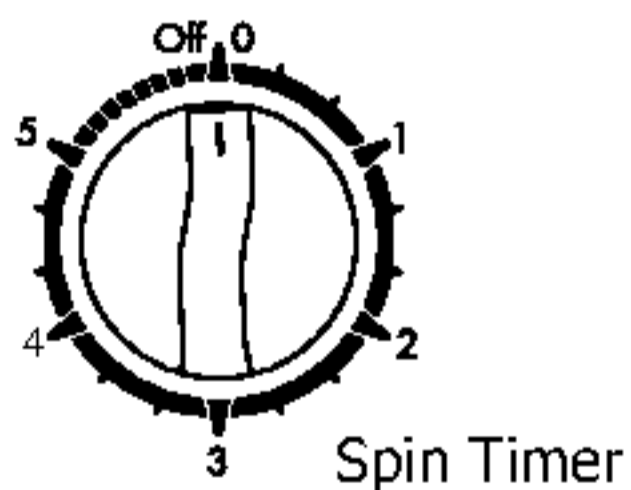
## Interim spin rinse

- Interim spin rinse prior to regular rinsing helps removing sudsy water from the laundry and improve rinsing efficiency. Also is helpful to water saving.

1. After washing.
  - Move the laundry into the spin dryer basket.
  - Place the safety cover horizontally on the laundry.



2. Set the desired spin flow appropriately.



Spin Timer

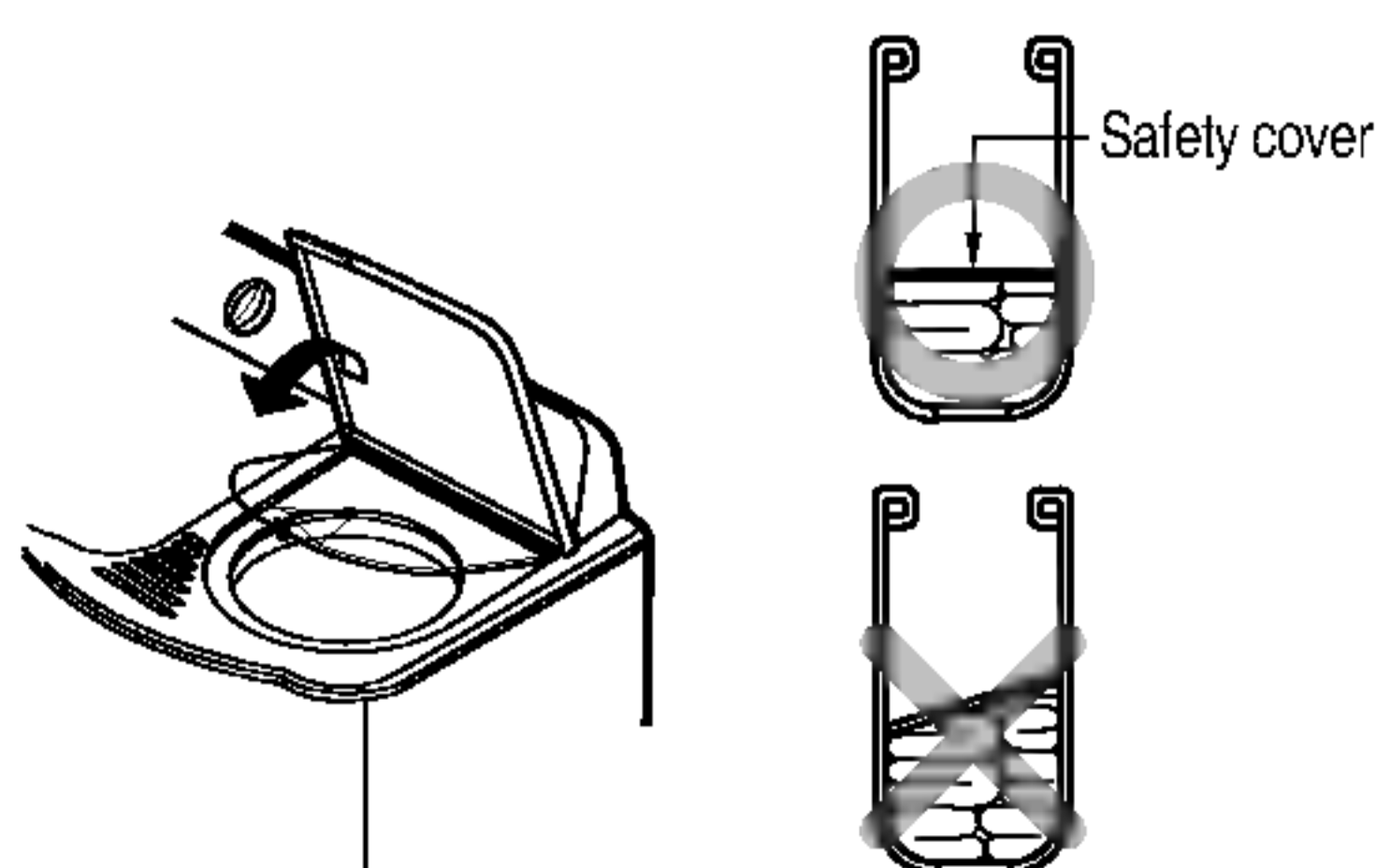
3. After interim spin rinse, move the laundry into the wash tub for rinsing.



# HOW TO SPIN

## Note for spinning

1. Put the laundry evenly into the spin dryer basket.
  2. Put the laundry down lightly.
  3. Place the safety cover horizontally over the laundry.
  4. Close the spin dryer cover.
- If the spin dryer basket is off-balance and vibrates excessively, stop the spinning, rearrange the clothes evenly, and then resume spinning.



6

# REFERENCE & AFTER FINISHING

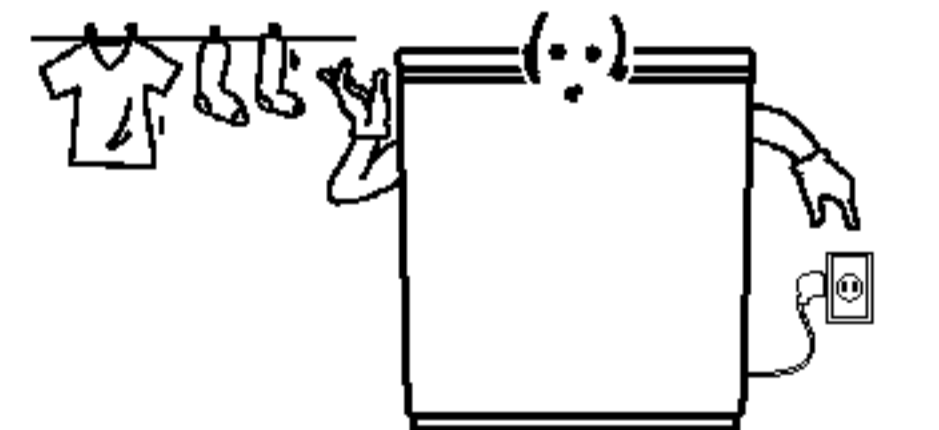
TABLE 1. WEIGHT GUIDE FOR CLOTHES

Type of clothing	Type of fabric	Weight per piece
Under shirt	Cotton	150g(5.3oz)
Handkerchief	Cotton	50g(1.8oz)
Bath towel	Cotton	300g(10.6oz)
Shirt	Mixed fabric	200g(7.1oz)
Socks (1 pair)	Mixed fabric	50g(1.8oz)
Pajama (shirt and pants)	Cotton	500g(17.6oz)
Winter undershirt	Cotton	600g(21.2oz)
Workclothes	Mixed fabric	800g(28.2oz)
Blouse	Mixed fabric	200g(7.1oz)

TABLE 2. GUIDE FOR WASHING

Water level	Amount of water	Amount of detergent
H (Maximum Level)	34L	34g

1. Remove the laundry from the spin dryer basket and close the spin dryer cover.
2. If there is water in the wash tub, set the drain selector to "DRAIN" in order to drain it out.
3. (For Pump Model Only : and then put it back to "OFF") Disconnect the power cord from the electrical outlet.
4. Clean the washing machine.
5. For Pump Model Only Ensure without fail the drain selector is turned to "OFF" Position after using
6. If washing and spinning must be operated together, starting washing and spinning operation shall be done at the same time to cope with EMC requirement.



# TROUBLESHOOTING GUIDE

## Before Requesting Service

Problem	Checking point
Motor does not operate,	<ul style="list-style-type: none"> <li>• Is the power cord firmly plugged in?</li> <li>• Is the timer turned to a suitable point except "OFF" ?</li> </ul>
Spin dryer basket does not operate.	<ul style="list-style-type: none"> <li>• Is there any clothing dropped between the basket and tub?</li> <li>• Is the spin dryer cover closed?</li> <li>• Is the laundry gathered to one side of the spin dryer basket?</li> </ul>
No draining For Non-Pump Model For Pump Model	<ul style="list-style-type: none"> <li>• Is there lint stuck in the plunger valve?</li> <li>• Is the end of the drain hose guide located at an exceed height?</li> <li>• Is the drain pump operated?</li> </ul>

7