



Car CD/MP3 Receiver

OWNER'S MANUAL

MODEL : LAC-UA150 / LAC-UA151



Please read this instruction booklet carefully and completely before connecting, operating or adjusting this product.

Internet address ; <http://ua.lge.com>

Customer Information Center LG ; (380-44) 490-7777, 8-800-303-0000



Table of Contents

INTRODUCTION

Table of Contents 2
 Safety Precautions 3
 Before Use. 4-6
 Front Panel. 7
 Remote Control (OPTIONAL) 8

PREPARATION

Installation 9
 Connections 10-11

OPERATION

Basic Operation 12-13
 Turning the unit on. 12
 Turning the unit off. 12
 Selecting a source 12
 Adjusting the volume 12
 Setting the clock 12
 Checking the clock. 12
 SOUND Adjustment 13
 Radio Operation 14
 Listening to radio stations 14
 Auto Search Memory 14
 Storing and recalling broadcast frequencies 14

Operation with Audio CD, MP3 Disc and CD changer 15-16
 Playing an Audio CD and MP3 Disc 15
 Playing a CD changer (OPTIONAL) 15

REFERENCE

Troubleshooting 17
 Specifications

INTRODUCTION



Disposal of your old appliance

1. When this crossed-out wheeled bin symbol is attached to a product it means the product is covered by the European Directive 2002/96/EC.
2. All electrical and electronic products should be disposed of separately from the municipal waste stream via designated collection facilities appointed by the government or the local authorities.
3. The correct disposal of your old appliance will help prevent potential negative consequences for the environment and human health.
4. For more detailed information about disposal of your old appliance, please contact your city office, waste disposal service or the shop where you purchased the product.

Safety Precautions



CAUTION

RISK OF ELECTRIC SHOCK DO NOT OPEN



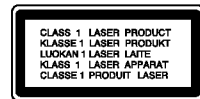
Warning: To reduce the risk of electric shock, do not remove the cover or back of this product. There are no user-serviceable parts inside. Refer servicing to qualified service personnel.



Warning: To reduce the risk of fire or electric shock, do not expose this product to dripping or splashing water, rain, or moisture.



Warning: Due to high temperature outside of the unit, please use the unit only installed in a car.



Caution: Protect this product from moisture.



Caution: If the battery is disconnected or discharged, the preset memory will be erased and must be reprogrammed.

CAUTION:

This unit employs a Laser System.

To ensure proper use of this product, please read this owner's manual carefully and retain for future reference should the unit require maintenance, contact an authorized service location (see service procedure).

Use of controls, adjustments, or the performance of procedures other than those specified herein may result in hazardous radiation exposure.

To prevent direct exposure to laser beam, do not try to open the enclosure. Visible laser radiation when open. **DO NOT STARE INTO BEAM.**

INTRODUCTION



Safety Precautions

To ensure proper use of this product, please read this owner's manual carefully and retain for future reference.

Symbols Used in this Manual



The lightning flash symbol alerts you to the presence of dangerous voltage within the product enclosure that may constitute a risk of electric shock.



Indicates hazards likely to cause harm to the unit itself or other material damage.

NOTE

Indicates special notes and operating features.

TIP

Indicates tips and hints for making the task easier.

Notes on Discs

Handling Discs

Do not touch the playback side of the disc. Hold the disc by the edges so that fingerprints do not get on the surface. Never stick paper or tape on the disc.

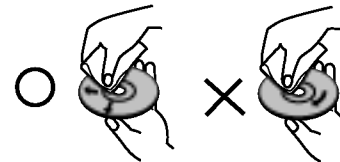


Storing Discs

After playing, store the disc in its case. Do not expose the disc to direct sunlight or sources of heat and never leave it in a parked car exposed to direct sunlight.

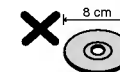
Cleaning Discs

Fingerprints and dust on the disc can cause poor picture quality and sound distortion. Before playing, clean the disc with a clean cloth. Wipe the disc from the center out.



Do not use strong solvents such as alcohol, benzine, thinner, commercially available cleaners, or anti-static spray intended for older vinyl records.

This unit cannot be operated with 8cm disc (use 12cm discs only).



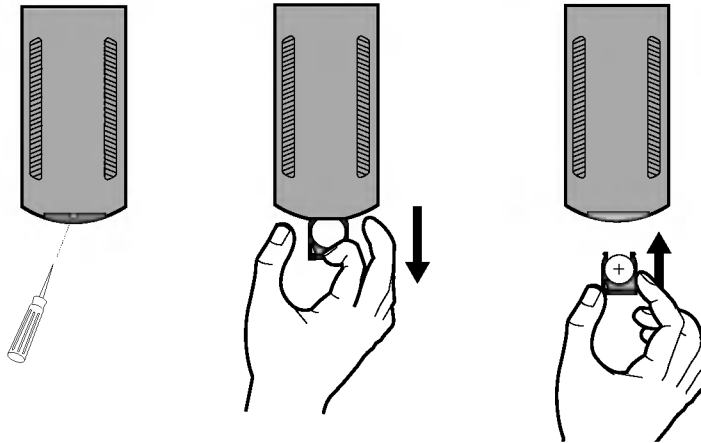


Before Use

Use and care of the remote control (OPTIONAL)

Installing the battery

Pull out the tray outward on the back of the remote control with a pencil or ball point pen and insert the battery with the plus (+) minus (-) poles pointing in the proper direction.



NOTES

- Use only one CR2025 (3V) lithium battery.
- Remove the battery if the remote control is not used for a long period of time.
- Do not recharge, disassemble, heat or dispose of the battery in fire.
- Do not handle the battery with metallic tools.
- Do not store the battery with metallic materials.
- In the event of battery leakage, wipe the remote control completely clean and install a new battery.

Using the remote control (OPTIONAL)

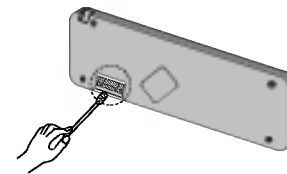
Point the remote control in the direction of the front panel to operate.

NOTES

- The remote control may not function properly in direct sunlight.
- Do not store the remote control in high temperatures or sunlight.
- Do not let the remote control fall onto the floor, where it may become jammed under the brake or accelerator pedal.

Handling the Unit

- This unit is designed to be operated on a 12 volt DC negative ground electrical system only.
- When replacing the fuse, be sure to use fuseone with an identically rated amperage. Use of a fuse with a higher amperage may cause serious damage to the unit.
- Periodically wipe the contacts on the back of the front panel with a cotton swab moistened with alcohol.

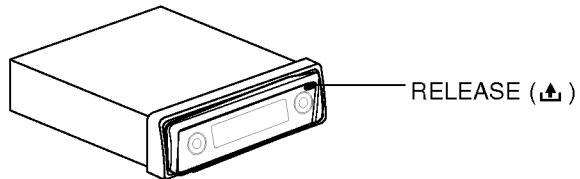


Before Use

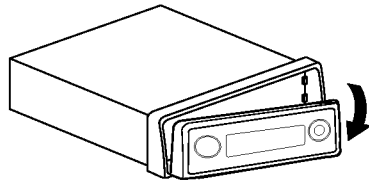
Protecting your unit from theft

The front panel can be detached from the main body and stored in the protective case provided to discourage theft.

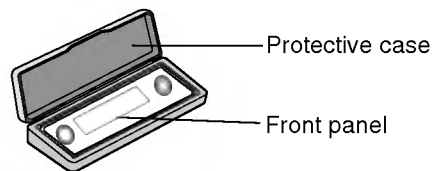
1. Press **RELEASE** (▲) to open the front panel.



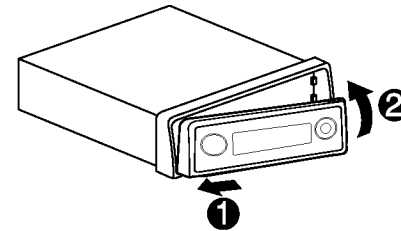
2. Grip the left side of the front panel and pull it gently outward.
Take care not to grip it tightly or to drop it.



3. Put the front panel into the protective case provided for safe keeping.

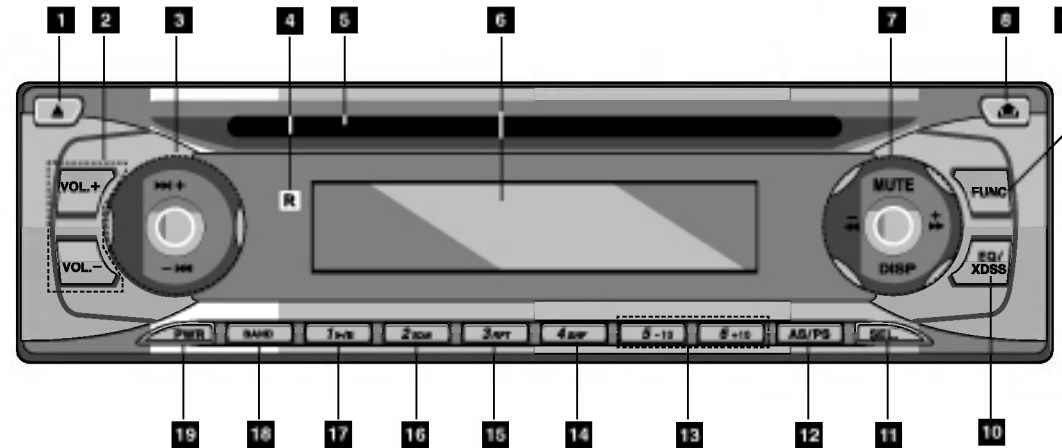


Attaching the front panel



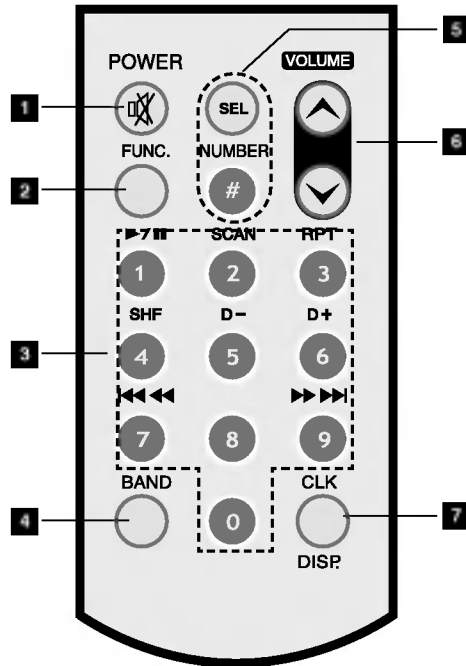
Align the left side of the panel with the stopper, and then push the right side of the panel into the unit until it clicks.

Front Panel



- | | |
|---|---|
| <ul style="list-style-type: none"> 1 EJECT (▲) button 2 • VOLUME (VOL.-/+) button • CONTROL UP/DOWN button 3 • CD SKIP (◀◀/▶▶) buttons • SEEK (-/+) buttons 4 REMOTE SENSOR (OPTIONAL) 5 CD disc slot 6 DISPLAY WINDOW 7 • MUTE button • CD SEARCH (◀◀/▶▶) buttons • TUNE (-/+) buttons • DISPLAY (DISP) button 8 RELEASE (⏏) button 9 FUNCTION (FUNC) button | <ul style="list-style-type: none"> 10 EQUALIZER/XDSS (EQ/XDSS) button 11 SELECTION (SEL.) button 12 AUTO STORE/PRESET SCAN (AS/PS) button 13 MP3 TRACK +/-10 (D-/+) button 14 SHUFFLE (SHF) button 15 REPEAT (RPT) button 16 INTRO SCAN (SCAN) button 17 CD PLAY/PAUSE (▶/) button 18 BAND button 19 PWR button 13, 14, 15, 16, 17 Preset Station buttons. (1-6) |
|---|---|

Remote Control (OPTIONAL)



- 1** • **POWER/MUTE** (🔊)
- Switches the unit ON and OFF.
- Press to mute the sound from the speaker.
- 2** • **FUNCTION (FUNC.) button**
Selects a function.
- 3** • **0-9 number buttons**
- Preset Station buttons. (1-6)
• **CD PLAY/PAUSE** (▶/⏸)
- Starts playback.
- Pauses playback temporarily.
• **SCAN**
- Plays the first 10 seconds of all tracks.
• **REPEAT (RPT)**
- Plays tracks repeatedly.
• **SHF**
- Plays tracks in random order.

- 4** • **BAND**
Selects three FM and MW (AM) bands.
- 5** • **SEL**
- Enters the audio settings.
• **NUMBER (#)**
- 6** • **VOLUME** (⏮ / ⏭)
Adjusts the volume level.
- 7** • **DISPLAY (DISP.)**
- Changes the display.
• **CLOCK (CLK)**
- Clock display.

- **SKIP/SEARCH** (⏮⏮ / ⏭⏭)
- Backward or forward search playback.
- Go to next track.
Returns to the beginning of the current track or goes to the previous track.

- **DISC SELECTOR (D-/+) button (Optional)**



Installation

Basic Installation

Before installing, make sure that the ignition-switch is set to OFF and remove the car battery terminal to avoid short-circuiting.


1. Remove the existing receiver unit.
2. Make the necessary connections.
3. Install the mounting sleeve.
4. Install the unit in to the mounting sleeve.

Removing existing receiver unit

If there already is a mounting sleeve for the receiver unit in the dashboard, it must be removed.

When removing the unit from the mounting sleeve

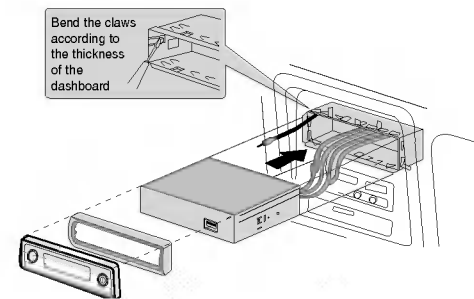
If you need to remove the unit from the mounting sleeve, proceed as follows.

1. Remove the rear support from the unit.
2. Remove the front panel and trim ring from the unit.
3. Insert the lever  into the hole on one side of the unit. Perform the same operation on the other side and pull the unit out from the mounting sleeve.

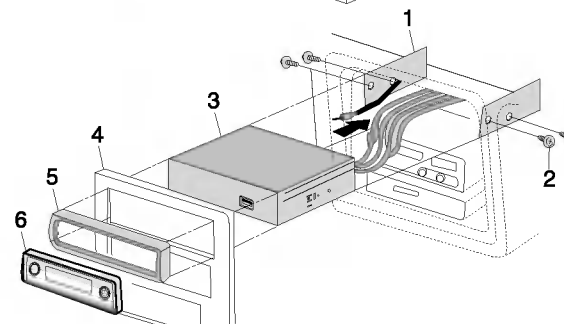
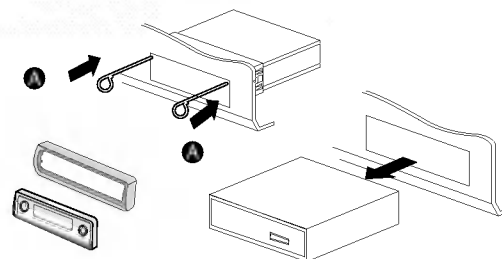
ISO-DIN Installation

1. Slide the unit into ISO-DIN frame.
2. Install screws removed from old unit.
3. Slide the unit and frame into the dash opening.
4. Mount the dash panel or adapter plate.
5. Mount the trim ring onto the unit.
6. Install the faceplate by sliding the right edge into position and then pushing the left edge closed.

Bend the claws according to the thickness of the dashboard



PREPARATION



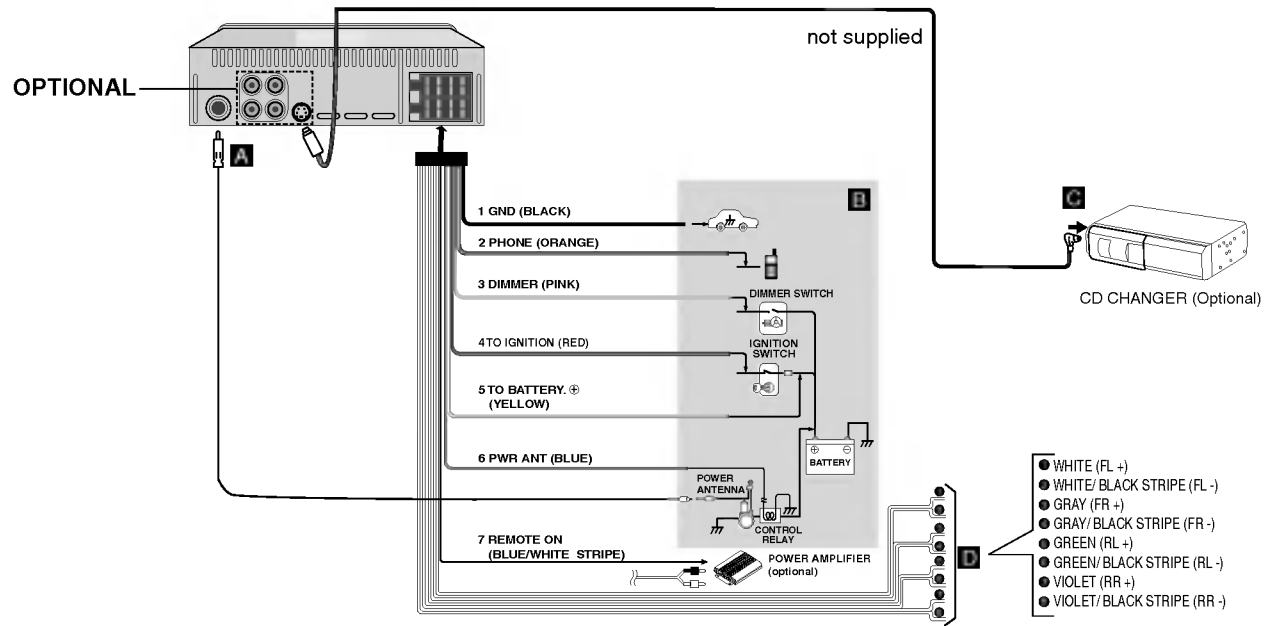


Connections

Connecting to the Car

Before connecting, make sure that the ignition switch is set to OFF, and remove the battery ⊖ terminal of the to avoid short circuits.

PREPARATION





Connections

Connecting to the Car

A From antenna

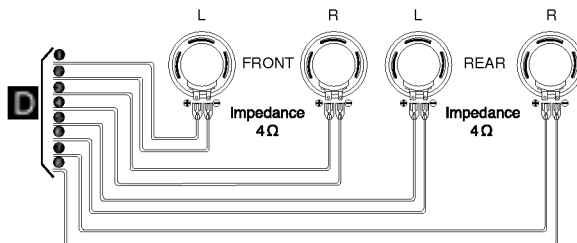
B To the wiring of vehicle Colors of leads

- 1 **BLACK** : This lead is for the Ground connection.
- 2 **ORANGE** : This lead is for the phone line connection.
- 3 **PINK** : This lead is for the Dimmer line connection.
- 4 **RED** : This lead is for connection to the power supply terminal when the ignition switch is set to ACC.
- 5 **YELLOW** : This lead is for connection to the Battery (back-up) terminal from which power is always supplied.
- 6 **BLUE** : This lead is for the power antenna connection.
- 7 **BLUE/WHITE STRIPE** : This lead is for the remote amplifier on connection.

C Connect the CD changer

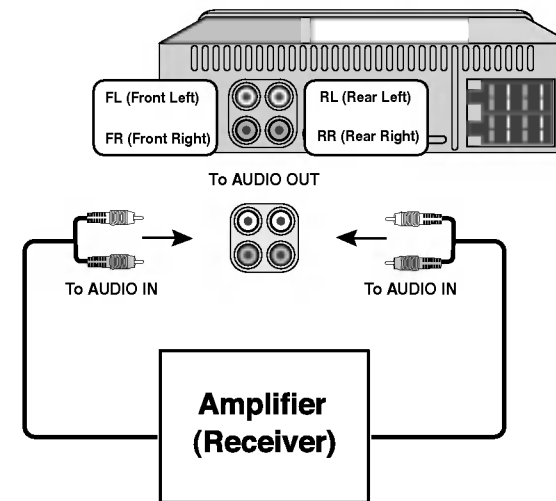
- Your car receiver works as the control unit for a CD changer which you can buy later, if you have not yet done so.
- The suitable cord will be provided together with the CD changer as shown on the scheme.

D Speaker Connections



Connecting to Auxiliary Equipment (OPTIONAL)

- Connect the **AUDIO OUTPUT** connector of this unit to the **AUDIO INPUT** connector of Auxiliary Equipment.



PREPARATION



Basic Operation

Turning the unit on

Press **PWR** or any other button on the front panel.

Turning the unit off

Press **PWR** on the front panel to turn the unit off.

Selecting a source

You can select a source you want to listen to.

Press **FUNC** to select a source.

Press **FUNC** repeatedly to switch between the following sources:

Tuner → CD → CD Changer (optional) → Tuner...

NOTE

- When you turn the unit off, the current volume level is automatically memorized. Whenever you turn the unit back on, it will operate at the memorized volume level.

Adjusting the volume

Use **VOLUME** to adjust the sound level.

Press **VOLUME (VOL.+/-)** button on the front panel to increase or decrease the volume.

Setting the clock

1. Press **DISP** and press **DISP** for more than 1 second.
(Clock indicator will be displayed for 5 seconds. Adjust the clock within 5 seconds.)
2. Press **▶▶** on the front panel to adjust the hour.
3. Press **◀◀** on the front panel to adjust the minute.
4. Press **DISP**.

Checking the clock

You can see the clock pressing **DISP**.



Basic Operation

SOUND Adjustment

Using the EQ (Equalizer)

The equalizer lets you adjust the equalization to match the acoustic characteristics of the car's interior as desired. There are 3 stored equalizer curves which you can easily recall at any time.

Here is a list of the equalizer curves:

- EQ POP : Reproduces pop music acoustics.
 - EQ CLASSIC : Reproduces orchestral music acoustics.
 - EQ ROCK : Reproduces rock music acoustics.
1. Press **EQ/XDSS** on the front panel to select the equalizer.
 2. Press **EQ/XDSS** repeatedly to choose between the following Equalizer settings.
POP → CLASSIC → ROCK → FLAT (NO display) → POP...

MUTE

1. Press **MUTE** to cut the sound.
2. To cancel it press **MUTE** again.

SELECTION (SEL) Button

1. Press the **SELECTION (SEL.)** repeatedly to select the mode you want to adjust from volume, bass, treble, balance and fader. The mode indicator lights up in the following order.

→ VOL → BAS → TRB → BAL → FAD]

2. Press CONTROL UP (**VOL.+**) or DOWN (**VOL.-**) to adjust the sound quality.

	Turn right	Turn left
VOL	Increase the volume level.	Decrease the volume level.
BAS	Increase the bass level.	Decrease the bass level.
TRB	Increase the Treble level.	Decrease the Treble level.
BAL	Decrease the level of the left speaker(s).	Decrease the level of the right speaker(s).
FAD	Decrease the level of the front speaker(s).	Decrease the level of the rear speaker(s).

NOTE

The unit cannot adjust the bass and treble in the EQ on mode.

XDSS (Extreme Dynamic Sound System)

Press and hold the **EQ/XDSS** button to reinforce treble, bass and surround effect.




Radio Operation

Listening to radio stations

1. Press the **PWR** button to turn the unit on.
 - When you select a source the unit is turned on.
2. Press the **FUNC** button to select the tuner.
3. Press the **BAND** button to select a band.
 - Press the **BAND** button until the desired band is displayed, FM1, FM2, FM3, MW(AM).
4. To perform seek tuning, press the SEEK(-/+) button with quick presses.
 - The tuner will scan the frequencies until a broadcast with strong enough reception is found.
 - You can cancel seek tuning by pressing the SEEK(-/+) button with quick presses.
5. To perform manual tuning, press the TUNE(-/+) button with quick presses.
 - The frequencies move up or down step by step.

NOTE

- When the selected frequency is being broadcast in stereo, the “” indicator will light.

Auto Search Memory

This function lets you automatically store the six strongest broadcast frequencies.

1. Press the **FUNC** button to select the tuner.
2. Press the **AS/PS** button on the front panel for about 1 second.
 - Scanning starts from the currently displayed frequency to higher frequencies and stops when 6 stations have been preset or the receivable frequencies have been scanned once.

NOTES

- The presetting is not performed if there is no station to be tuned in.
- When automatic presetting is performed, the previous preset stations are automatically erased.
- To stop the automatic presetting, press the **BAND** or the **AS/PS** button.

Storing and recalling broadcast frequencies

You can easily store up to six broadcast frequencies for later recall with the touch of a button.

1. Select the desired frequency
2. Press one of the **preset station** buttons (1 - 6) for more than 1 seconds. The number of the pressed preset station button is displayed.
3. Repeat steps 1 and 2 to preset other stations.

NOTES

- As F1, F2, F3 have the same frequency range, up to 18 station can be preset for FM.
- When a station is preset on the preset station button on which another station of the same band has already been preset, the previously preset station is automatically erased.

To scan the preset stations

Press the **AS/PS** button on the front panel.
To stop the scanning, press the **AS/PS** button.

To tune in the preset stations

Press **BAND** to select the desired band and press the desired number buttons (1-6).
The number of the preset station button is displayed and the preset station is received.



Operation with Audio CD, MP3 Disc and CD changer

Playing an Audio CD and MP3 Disc

CD MP3

The unit can play MP3 formatted recordings on CD-ROM, CD-R or CD-RW discs.

Before playing MP3 recordings, read the notes on MP3 Recordings on page 18.

Playing a CD changer (OPTIONAL)

CDC

Playback Setup

CDC

- Connect the CD Changer connector of this unit to the connector on this CD Changer on page 10.
- Audio system: Turn on the audio system and select the input source connected to the unit.

1. Press **PWR** to turn the unit on.
2. Select the CD changer function pressing **FUNC** repeatedly.
3. Insert a disc you want to play into the magazine.
Playback starts automatically.

Moving to another Disc

CDC

Press **D(-/+)** briefly during playback to go to the next disc or step back to the previous disc.

Pause

CD MP3 CDC

1. Press **PLAY/PAUSE (▶/⏸)** during playback.
2. To return to playback, press **PLAY/PAUSE (▶/⏸)** again.

Moving to another Track

CD MP3 CDC

- Press the **⏮/⏭** briefly during playback to go to the next track or to return to the beginning of the current track.
- Press **⏮** twice briefly to step back to the previous track.
(If playing times is less then 3 seconds this function is not operated.)

Search

CD CDC

Press and hold the **⏮/⏭** during playback and then release at the point you want.



Operation with Audio CD, MP3 Disc and CD changer

Repeat

- a. Press **RPT** during playback. **CD** **MP3** **CDC**
The "RPT" appears in the display window.
(All of the music on the disc is played repeatedly)
- b. Press and hold **RPT** during playback. **CDC**
The "DRT" appears in the display window.
(All of the music on the discs in the CD changer is played repeatedly)
2. Press **RPT** again.
The "RPT" disappears in the display window.
(The repeat mode is cancelled.)

Random

- a. Press **SHF** during playback. **CD** **MP3** **CDC**
The "SHF" appears in the display window.
(All of the music on the disc is played randomly)
- b. Press and hold **SHF** during playback. **CDC**
The "DSF" appears in the display window
(All of the music on the discs in the CD changer is played randomly)
2. Press **SHF** again.
The "SHF" disappears in the display window.
(The random playback is cancelled.)

NOTE

- During random playback, if you press **⏮** button, you won't go back to the previous track.

MP3 TRACK -10/+10

During playback, press the -10 (D-) button to go back to the previous -10 track, and press +10 (D+) button to go forward to the next +10 track.

For your reference

• Auto Loading

When the disc is ejected by pressing **⏏** during playback, it will be loaded automatically after 10 seconds unless you pull out the disc from the unit.

Intro scan

- a. Press **SCAN**. **CD** **MP3** **CDC**
The "SCAN" appears in the display window.
(The first 10 seconds of all of the songs on the disc is played)
- b. Press and hold **SCAN**. **CDC**
The "DSN" appears in the display window.
(The first 10 seconds of all of the music on the discs in the CD changer is played)
2. Press **SCAN** again.
The "SCAN" disappears in the display window.
(The intro scan is cancelled.)

ID 3 TAG **MP3**

When playing a disc containing information, you can see the information (ID3 TAG, Title, Artist and Album) in the display window. If there is no information, "NO TEXT" will be shown in the display window.

Press the **DISP** button twice during MP3 file playback.



Troubleshooting

Symptom	Cause	Correction
Power doesn't turn on. The unit doesn't operate.	<ul style="list-style-type: none">● Leads and connectors are not properly connected.● The fuse is blown.● Noise and other factors are causing the built-in microprocessor to operate incorrectly.	<ul style="list-style-type: none">● Confirm once more that all connections are correct.● Rectify the problem that caused the fuse to blow, and then replace it. Be very sure to install the correct fuse with the same rate.● Turn the unit off and then on.
Playback is not possible.	<ul style="list-style-type: none">● The disc is dirty.● The loaded disc is of a type this unit cannot play.	<ul style="list-style-type: none">● Clean disc.● Check what type the disc is.
No sound is heard. The volume level will not rise.	<ul style="list-style-type: none">● Cables are not connected correctly.	<ul style="list-style-type: none">● Connect the cables correctly.
There's no sound.	<ul style="list-style-type: none">● The volume level is low.	<ul style="list-style-type: none">● Adjust the volume.
There's audio skipping.	<ul style="list-style-type: none">● This unit is not firmly secured.	<ul style="list-style-type: none">● Secure this unit firmly.

REFERENCE

Specifications

MP3 Disc compatibility with this unit is limited as follows:

1. Sampling Frequency / 8 - 48kHz (MP3)
2. Bit rate / within 8 - 320kbps (include VBR) (MP3)
3. CD-R/CD-RW physical format should be "ISO 9660"
4. If you record MP3 files using software which cannot create a FILE SYSTEM, for example "Direct-CD" etc., it is impossible to playback MP3 files. We recommend that you use "Easy-CD Creator" which creates an ISO9660 file system.

Customers should also note that permission is required in order to download MP3 files and music from the Internet. Our company has no right to grant such permission. Permission should always be sought from the copyright owner.

Notice (the date of the production of goods).
First figure (of the left) of series number means Year, next 2 figures
- Month of the production of this goods.

P/NO : 3834RR00040J

General

Output Power50W x 4CH(Max.)
Power SourceDC 12V
Speaker impedance 4 Ω
Ground SystemNegative type
Dimensions (W x H x D)182 x 51 x 173 mm (Without Front Panel)
Net Weight (approx.)1.8 kg

FM tuner

Frequency Range 87.5-107.9MHz or
87.5-108 MHz or 65-74 MHz, 87.5-108 MHz
S/N Ratio55 dB
Distortion1.0%
Usable sensitivity12 dB μ V

MW(AM) tuner

Frequency Range520-1720kHz or 522-1620 kHz
S/N Ratio45 dB
Distortion1.0%
Usable sensitivity32 dB μ V

CD

Frequency Response40 - 20000 Hz
S/N Ratio70 dB
Distortion0.15%

● Design and specifications are subject to change without notice.