

Model Numbers
DC9101SAU



Instruction Manual

Dear Customer,

If you follow the recommendations contained in this Instruction Manual, your appliance will give you constant high performance and will remain efficient for many years to come.

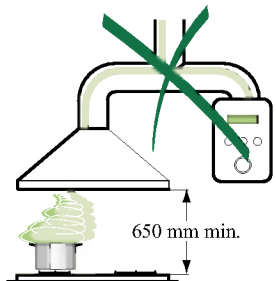
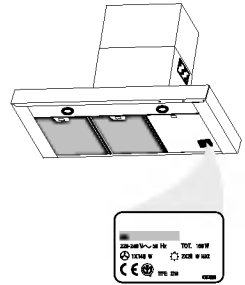
CONTENTS

RECOMMENDATIONS AND SUGGESTIONS	3
CHARACTERISTICS	4
INSTALLATION	6
USE	9
MAINTENANCE	10

RECOMMENDATIONS AND SUGGESTIONS

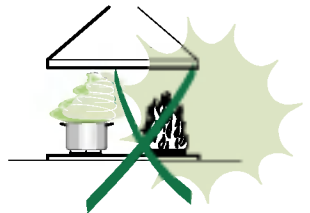
INSTALLATION

- ⚠ The manufacturer will not be held liable for any damages resulting from incorrect or improper installation.
- ⚠ The minimum safety distance between the cooker top and the extractor hood is 650 mm.
- ⚠ Check that the mains voltage corresponds to that indicated on the rating plate fixed to the inside of the hood.
- ⚠ For Class I appliances, check that the domestic power supply guarantees adequate earthing.
- ⚠ Connect the extractor to the exhaust flue through a pipe of minimum diameter 120 mm. The route of the flue must be as short as possible.
- ⚠ Do not connect the extractor hood to exhaust ducts carrying combustion fumes (boilers, fireplaces, etc.).
- ⚠ If the extractor is used in conjunction with non-electrical appliances (e.g. gas burning appliances), a sufficient degree of aeration must be guaranteed in the room in order to prevent the backflow of exhaust gas. The kitchen must have an opening communicating directly with the open air in order to guarantee the entry of clean air.
- ⚠ Installation of the extractor hood over a solid-fuel burner (coal, wood, etc.) which could constitute a potential fire hazard (e.g. due to flying sparks) is only permitted if the burner is equipped with an enclosed, non-removable cover and all country-specific regulations are observed. This restriction does not apply to gas cookers and gas hobs.
- ⚠ Regulations concerning the discharge of air have to be fulfilled.



USE

- ⚠ The extractor hood has been designed exclusively for household use to eliminate kitchen smells.
- ⚠ Never use the hood for purposes other than for which it has been designed.
- ⚠ Never leave high naked flames under the hood when it is in operation.
- ⚠ Adjust the flame intensity to direct it onto the bottom of the pan only, making sure that it does not engulf the sides.
- ⚠ Deep fat fryers must be continuously monitored during use: overheated oil can burst into flames.
- ⚠ The hood should not be used by children or persons not instructed in its correct use.
- ⚠ Do not use the appliance if it is damaged in any way.
- ⚠ Never operate the extractor hood without a grease filter.
- ⚠ Do not flambe food directly under the extractor hood.

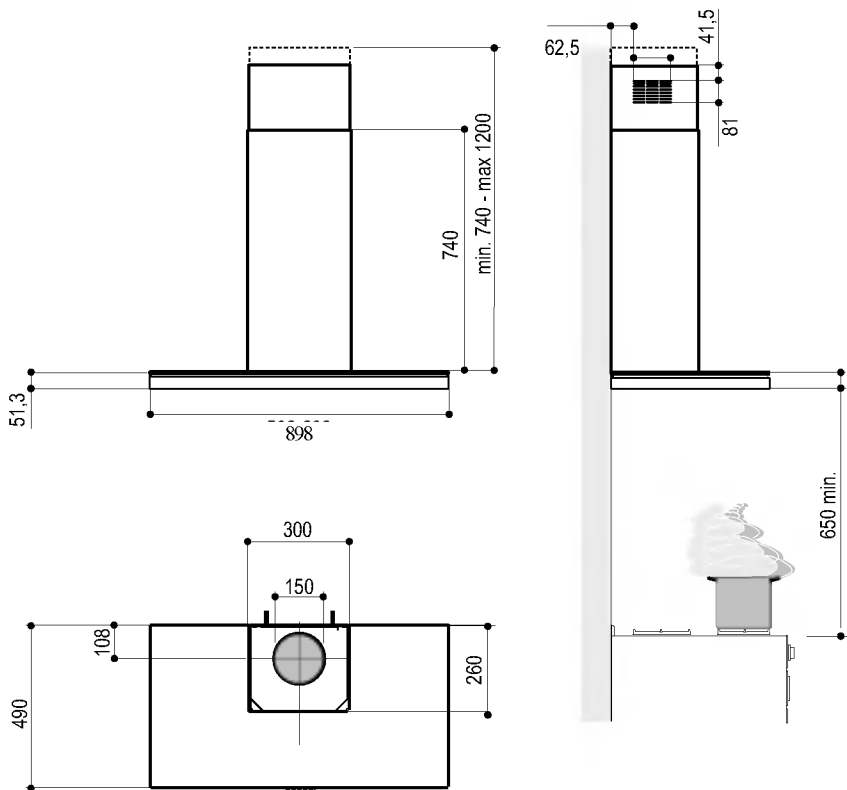


MAINTENANCE

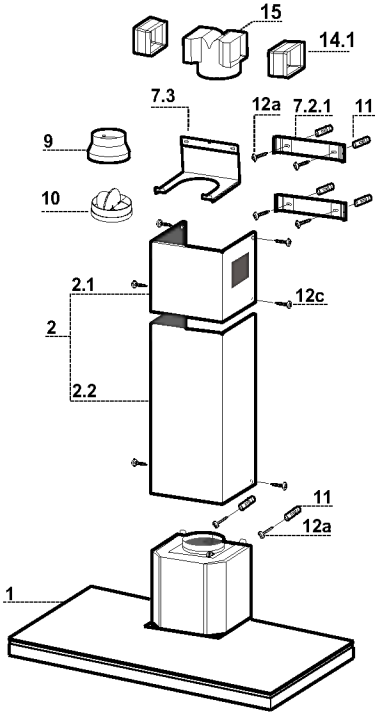
- ⚠ Switch off or unplug the appliance from the mains supply before carrying out any maintenance work.
- ⚠ Clean and/or replace the Filters after the specified time period.
- ⚠ Clean the hood using a damp cloth and a neutral liquid detergent.
- ⚠ Defective bulbs should be replaced immediately to prevent the remaining bulbs from overloading.
- ⚠ There is a fire risk if cleaning is not carried out in accordance with the instructions.

CHARACTERISTICS

Dimensions



Components



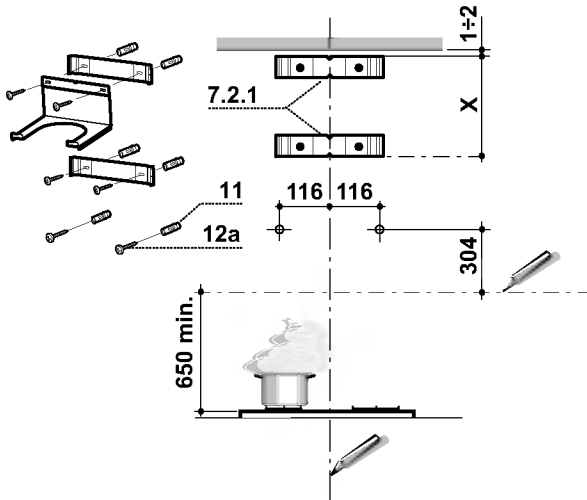
Ref.	Q.ty	Product Components
1	1	Hood Body, complete with: Controls, Light, Blower, Filters
2	1	Telescopic Chimney comprising:
2.1	1	Upper Section
2.2	1	Lower Section
9	1	Reducer Flange \varnothing 150-120 mm
10	1	Damper
14.1	2	Air Outlet Connection Extension
15	1	Air Outlet Connection

Ref.	Q.ty	Installation Components
7.2.1	2	Upper Chimney Section Fixing Brackets
7.3	1	Air Outlet Connection Support
11	6	Wall Plugs
12a	6	Screws 4,2 x 44,4
12c	6	Screws 2,9 x 9,5

1 Documentation

INSTALLATION

Wall drilling and bracket fixing

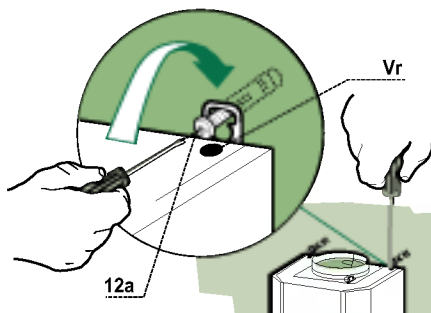


Wall marking:

- Draw a vertical line on the supporting wall up to the ceiling, or as high as practical, at the centre of the area in which the hood will be installed.
- Draw a horizontal line at 650 mm above the hob.
- Place bracket **7.2.1** on the wall as shown about 1-2 mm from the ceiling or upper limit aligning the centre (notch) with the vertical reference line.
- Mark the wall at the centres of the holes in the bracket.
- Place bracket **7.2.1** on the wall as shown at X mm below the first bracket (X = height of the upper chimney section supplied), aligning the centre (notch) with the vertical line.
- Mark the wall at the centres of the holes in the bracket.
- Mark a reference point as indicated at 116 mm from the vertical reference line and 304 mm above the horizontal reference line.
- Repeat this operation on the other side.
- Drill \varnothing 8 mm holes at all the centre points marked.
- Insert the wall plugs **11** in the holes.
- Fix the lower bracket **7.2.1** using the **12a** screws (4,2 x 44,4) supplied.
- Fix the upper bracket **7.2.1** and the air outlet connection support **7.3** together using the 2 screws **12a** (4,2 x 44,4) supplied.
- Insert the two screws **12a** (4,2 x 44,4) supplied in the hood body fixing holes, leaving a gap of 5-6 mm between the wall and the head of the screw.

Mounting the hood body

- Before attaching the hood body, tighten the two screws **Vr** located on the hood body mounting points.
- Hook the hood body onto the screws **12a**
- Fully tighten support screws **12a**
- Adjust screws **Vr** to level the hood body.

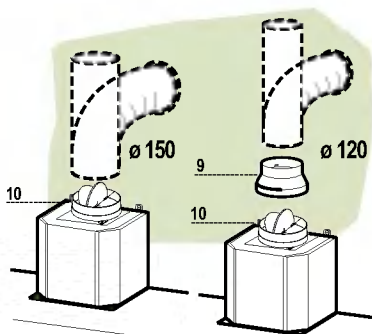


Connections

DUCTED VERSION AIR EXHAUST SYSTEM

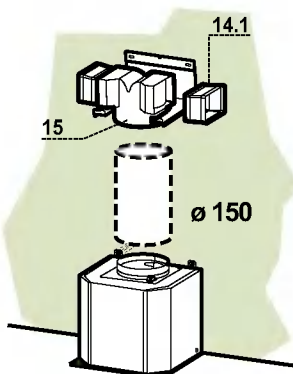
When installing the ducted version, connect the hood to the chimney using either a flexible or rigid pipe \varnothing 150 or 120 mm, the choice of which is left to the installer.

- To install the dumper **10**
- To install a \varnothing 120 mm air exhaust connection, insert the reducer flange **9** on the dumper **10**.
- Fix the pipe in position using sufficient pipe clamps (not supplied).
- Remove any activated charcoal filters.



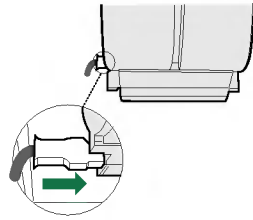
RECIRCULATION VERSION AIR OUTLET

- Put connection **15** into the connection support **7.3**.
- Insert the connection extension pieces laterally **14.1** in connection **15**.
- Make sure that the outlet of the extension pieces **14.1** is horizontally and vertically aligned with the chimney outlets.
- Connect the air outlet connection **15** to the hood body outlet using either a flexible or rigid pipe \varnothing 150 mm, the choice of which is left to the installer.
- Ensure that the activated charcoal filters have been inserted.



ELECTRICAL CONNECTION

- Connect the hood to the mains through a two-pole switch having a contact gap of at least 3 mm.
- Remove the grease filters (see paragraph Maintenance) being sure that the connector of the feeding cable is correctly inserted in the socket placed on the side of the fan.



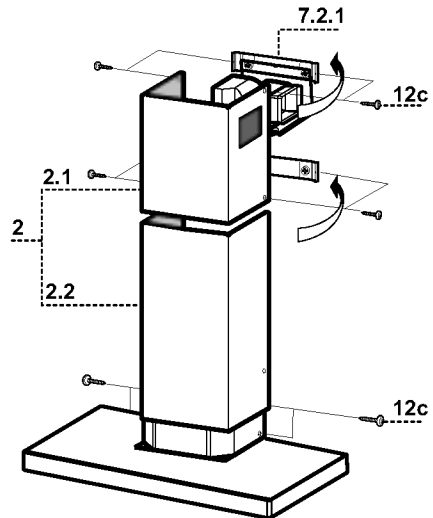
Flue assembly

Upper exhaust flue

- Slightly widen the two sides of the upper flue and hook them behind the brackets **7.2.1**, making sure that they are well seated.
- Secure the sides to the brackets using the 4 screws **12c** (2,9 x 9,5) supplied.
- Make sure that the outlet of the extensions pieces is aligned with the chimney outlets.

Lower exhaust flue

- Slightly widen the two sides of the flue and hook them between the upper flue and the wall, making sure that they are well seated.
- Fix the lower part laterally to the hood body using the 2 screws **12c** (2,9 x 9,5) supplied.



Control Panel



The hood can be switched on pushing directly onto the requested speed without firstly having to select 0/1 button.

KEY		LED	FUNCTIONS
L	0/1 Light		Turns lighting on and off.
T1	0/1 Motor	on	First speed. When pressed for about 2 seconds the motor is switched off.
		Flashing	24h Changeover This is enabled by pressing and holding the button for approximately 5". It allows a suction level of 100 m ³ /h with a noise level of just 28dB(A). Can be enabled at any speed, even with the hood turned off. To disable, press and hold the button for approximately 5".
T2	Speed	on	Second speed.
		Flashing	Delay (30') Press the button for approximately 2" to enable automatic shutdown with a 30' delay. Suitable to complete elimination of any residual smells. Can be enabled at any speed and is disabled by pressing the button briefly.
T3	Speed	on	Third speed.
T4	Speed	Fixed	Max. speed
		Flashing	Intensive speed. Suitable for the strongest cooking vapours and odours. The function becomes active when the button is pushed for about 2 seconds. After 10 minutes of functioning it turns off automatically. This function can be interrupted by means of pressing any of the buttons.
S1	Led	Fixed	Indicates that the Metal grease filters saturation alarm has been triggered, and the filters need to be washed. The alarm is triggered after 100 working hours. (Reset; check the Maintenance-paragraph)
		Flashing	indicates that the activated charcoal odour filter saturation alarm has been triggered, and the filter has to be replaced; the metal grease filters must also be washed. The activated charcoal odour filter is triggered after 200 working hours. (Activation and Reset; check the Maintenance-paragraph)

MAINTENANCE

Grease filters

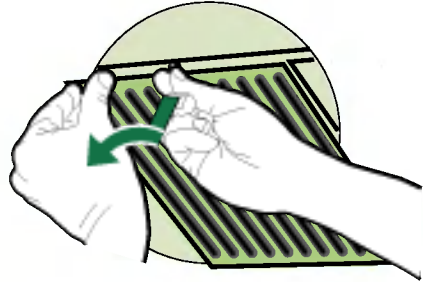
CLEANING METAL GREASE FILTERS

Alarm signal reset

- Switch of the lights and extractor motor.
- Press button **T3** for at least 3 seconds, until the leds start to flash.

Cleaning the filters

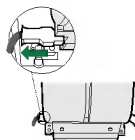
- The filters are washable and must be cleaned when the led **S1** lights up or at least every 2 months of operation, or more frequently for particularly heavy usage.
- Remove the filters one at a time, supporting them with one hand and turning the safety knobs (pull and turn).
- Wash the filters, taking care not to bend them. Allow them to dry before refitting.
- Replace them and fix them using the safety knobs provided (pull and turn).



Activated charcoal filter (Recirculation version)

Enabling/Disabling the alarm signal

- In Recirculation version Hoods, the Filter saturation alarm can be enabled on installation or at a later date.
- Turn the Lights and the suction Motor off.
- Disconnect the Hood using the Main switch or the double-pole switch on the mains power supply or the connector of the feeding cable from the side of the fan.
- Restore the connection by pressing and holding **T1**
- Release the button. All five LEDs are turned on
- Within 3 seconds press **T1** until LEDs **T1** and **T4** flash in confirmation:
 - LED flashes twice - Activated charcoal filter saturation alarm ENABLED
 - LED flashes once - Activated charcoal filter saturation alarm DISABLED



REPLACING THE ACTIVATED CHARCOAL FILTER

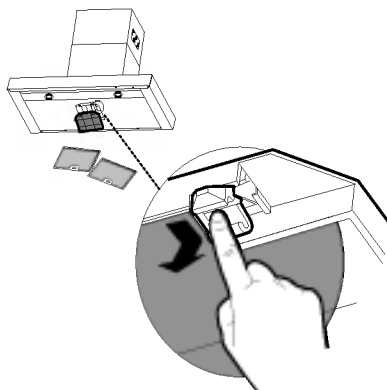
The filter is not washable and cannot be regenerated. It must be replaced when **S1** flashes or at least every 4 months. The alarm signal will only light up when the extractor motor is switched on.

Alarm signal reset

- Switch off the lights and extractor motor.
- Press button **T3** for at least 3 seconds, until the leds start to flash.

Replacing the Filter

- Remove the metal grease filters
- Remove the saturated activated carbon filter by releasing the fixing hooks
- Fit the new filter by hooking it into its seating
- Replace the metal grease filters.

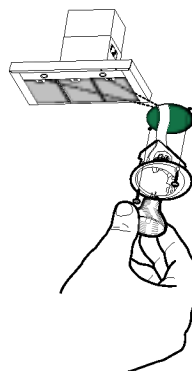


Lighting

LIGHT REPLACEMENT

20 W halogen light.

- Remove the 2 screws fixing the Lighting support, and pull it out of from the Hood.
- Extract the lamp from the Support.
- Replace with another of the same type, making sure that the two pins are properly inserted in the lamp holder socket holes.
- Replace the Support, fixing it in place with the two screws removed as above.



When switched on, the halogen bulbs become very hot. Even for some time after the bulbs have been switched off there is still a risk of burns.

