



FRIDGE-FREEZER

User's Guide

Please read this User's Guide carefully before operating and keep it handy for reference at all times.

REFRIGERATEUR- CONGELATEUR

Manuel de l'utilisateur

Lisez avec attention ce Manuel de l'utilisateur avant d'utiliser le réfrigérateur et gardez-le toujours pour toute référence.

FRIGORIFICO- CONGELADOR

Instrucciones de uso

Lea estas instrucciones de uso con atención antes de poner el aparato en funcionamiento y manténgalo siempre a mano para que pueda consultarlo en cualquier momento.

Table of Contents

Introduction	Registration	4
	Important Safety Instruction	4
	Identification of Parts	6
Installation	Installation	7
	Starting	7
Operation	Temperature Control	8
	Quick Freeze	8
	Vacation	9
	Self Test	9
	Door Alarm	9
	Ice Making	9
	Defrosting	9
	Water Dispenser	10
Suggestion On Food storage	Storing Food	12
Care and Maintenance	General Information	13
	Lamp Replacement	13
	Cleaning	14
Trouble Shooting	Trouble Shooting	16
To Reverse the Doors	Precaution	18
	How to Reverse the Doors	18

Introduction

Registration

The model and serial number are found on the rear of this unit. This number is unique to this unit and not available to others. You should record requested information here and retain this guide as a permanent record of your purchase. Staple your receipt here.

Date of Purchase : _____
Dealer Purchased From : _____
Dealer Address : _____
Dealer Phone No. : _____
Model No. : _____
Serial No. : _____

Precaution

Important Safety Instruction

This fridge-freezer must be properly installed and located in accordance with the Installation Instruction before it is used.

Never unplug your fridge-freezer by pulling on the power cord. Always grip plug firmly and pull straight out from the outlet.

When moving your appliance away from the wall, be careful not to roll over or damage the power cord.

After your fridge-freezer is in operation, do not touch the cold surfaces in the freezer compartment, particularly when hands are damp or wet. Skin may adhere to these extremely cold surfaces.

Important Safety Instruction

Precaution

Pull out the power plug prior to cleaning the fridge-freezer.

Never damage, severely bend, pull out, or twist the power cord because power cord damage may cause a fire or electronic shock.

Never place glass products in the freezer because they may be broken when their inner contents are frozen.

Do not modify or extend the Power Cord length

It will cause electric shock or fire.



Don't Use an Extension Cord

If possible, connect the fridge-freezer to its own individual electrical outlet to prevent it and other appliances or household lights from causing an overload.

Accessibility of Supply Plug

The supply plug of the refrigerator-freezer should be placed in easy accessible position for quick disconnection in emergency.

Supply Cord Replacement

If the supply cord is damaged, it must be replaced by the manufacturer or its service agent or a similarly qualified person in order to avoid a hazard.

Danger

Risk of child entrapment.

Before you throw away your old refrigerator or freezer:

Take off the doors.

Leave the shelves in place so that children may not easily climb inside.

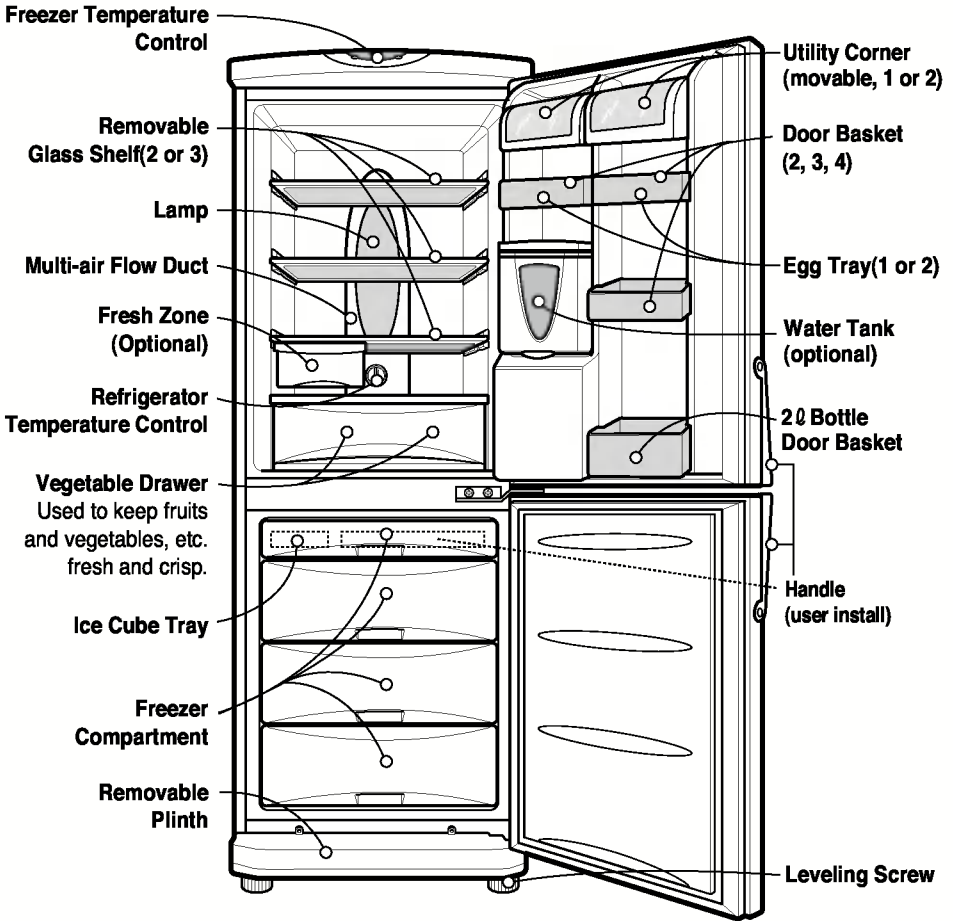
Don't store

Don't store or use gasoline or other flammable vapors and liquids in the vicinity of this or any other appliance.

Grounding (Earthing)

In the event of an electric short circuit, grounding (earthing) reduces the risk of electric shock by providing an escape wire for the electric current. In order to prevent possible electric shock, this appliance must be grounded. Improper use of the grounding plug can result in an electric shock. Consult a qualified electrician or service person if the grounding instructions are not completely understood, or if you have doubts on whether the appliance is properly grounded.



Identification of Parts



NOTE

If you found some parts missing from your unit, they may be parts only used in other models.

Installation

1. Select a good location.
Place your fridge-freezer where it is easy to use.
2. Avoid placing the unit near heat sources, direct sunlight or moisture.
3. There must be proper air circulation around your fridge-freezer to keep it operating efficiently.
4. To avoid vibration, the unit must be leveled.
If required, adjust the leveling screws to compensate for the uneven floor.
The front should be slightly higher than the rear to aid in door closing.
Leveling screws can be turned easily by tipping the cabinet slightly.
Turn the leveling screws counterclockwise() to raise the unit, clockwise() to lower it.
5. Clean your fridge-freezer thoroughly and wipe off all dust accumulated during shipping.
6. Install accessories such as ice cube box, etc., in their proper places.They are packed together to prevent possible damage during shipment.
7. Connect the power supply cord (or plug) to the outlet.
Don't double up with other appliances on the same outlet.
8. To ensure proper air circulation around the fridge - freezer, please maintain sufficient space on both the sides as well as top and maintain at least 2 inches (5 cm) from the rear wall.

Starting

When your fridge-freezer is installed, allow it 2-3 hours to stabilize at normal operating temperature prior to filling it with fresh or frozen foods.

If power plug is disconnected, allow 5 minutes delay before restarting.

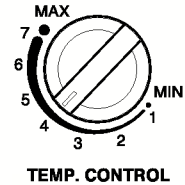
Your fridge-freezer is now ready for use.

Temperature Control

Your fridge-freezer has two controls that let you regulate the temperature in the fridge and freezer compartments.

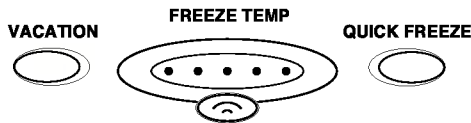
Fridge

- Initially set the TEMP. CONTROL at "4". Then adjust the compartment temperature according to your desire.
- If you want an inside temperature slightly less cold or colder, turn the knob towards MIN or MAX, respectively. When the surrounding temperature is low, adjust the TEMP. CONTROL 'MIN'.



Freezer

- Freezer temperature control is on the top of the fridge-freezer. Initially set the Freeze Temp at mid-point. By pressing the Freezer Temp button, you can adjust the temperature of the Freezer as indicated by the numbers of lamps lit. (the setting is composed of five steps, 5 lamps lit indicates coldest.)
- When you starting the Fridge-Freezer or connecting the power plug to the outlet, temperature setting is automatically set to the mid-point.



Quick Freeze

- This function is used when you want to freeze the foods quickly. Press the 'QUICK FREEZE' button once, and then the quick freeze operation starts with the lamp lit. The quick freeze operation takes about 3 hours. When its operation ends, it automatically returns to the normal state. If you want to stop the quick freeze operation, press the 'QUICK FREEZE' button once more, the lamp goes out, and the quick freeze operation stops and the refrigerator returns to the normal state.



Vacation

This function makes the fridge-freezer work in a power saving mode which is useful for when you are away on holiday, by reducing energy consumption as much as possible.

Pressing 'VACATION' starts operation with lamp ON and pressing it again stops the operation.

For better functioning, you should set the TEMP. CONTROL to "MIN" .



Self Test

This function allows you to check for operational problems. If you think you have a problem with your fridge-freezer, then press the temperature control button:

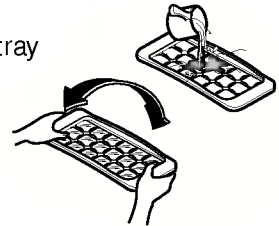
- If the indicate lights move up or down, then there is no problem with your fridge-freezer.
- If the indicate lights do not move up or down, then please leave the power connected and call your nearest service agent.

Door Alarm

When the door of the fridge is left opened for a while, the alarm sounds.

Ice Making

- To make ice cubes, fill the ice tray to the water level and place it in the freezer.
- If ice cubes are required fast, press the 'QUICK FREEZE' button.
- To remove ice cubes, hold the tray at its ends and twist gently.



Tip

To remove ice cubes easily, run water on the tray before twisting.

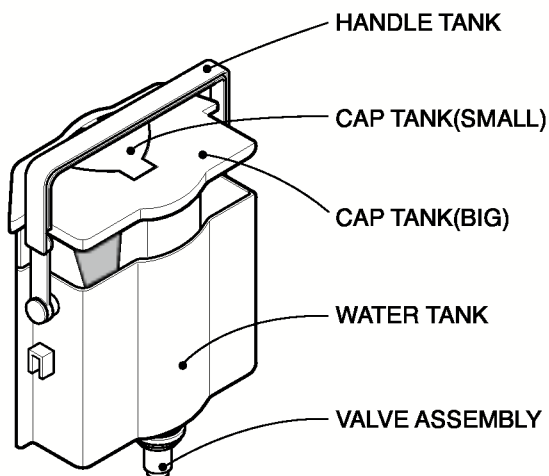
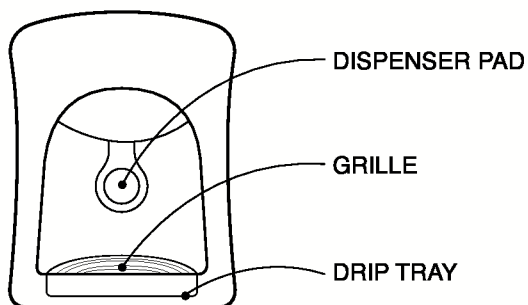
Defrosting

Defrosting takes place automatically.

The defrosting water flows down to the evaporating tray and is evaporated automatically.

Water Dispenser (optional)

Features



Install

Please assemble the VALVE ASSEMBLY after correctly adjusting it with a DOOR HOLE

Filling of WATER TANK

1. After turning the HANDLE Tank backward with the WATER TANK installed at the DOOR, Open the CAP TANK (SMALL) and then fill water using a kettle etc.
 - * Fill water while watching a sight glass on the front of the WATER TANK.
 - * Water up to 4.5 ℓ can be filled.
2. Press and fix the CAP TANK(SMALL).
3. After filling spring water, fix the HANDLE TANK at a proper position.

Drinking

1. Press the Dispenser Pad with a cup.
2. If pressing the Pad, water inside of the Dispenser is supplied.
3. If slowly removing a cup from the Pad, water will not fall down.

Caution

Do not use other beverage (milk, juice, carbonated beverage etc) than spring water. Especially beverage including grain must not be used (may result in failure).

Storing Food

- Do not store food which goes bad easily at low temperature, such as banana, and melon.
- Allow hot food to cool prior to storing. Placing hot food in the fridge-freezer could spoil other food, and lead to higher electric bills.
- When storing the food, use a container with a lid. This prevents moisture from evaporating, and helps food to keep its taste and nutrients.
- Do not block air vents with food. Smooth circulation of cold air keeps fridge-freezer temperature even.
- Do not open the door frequently. Opening the door lets warm air enter the fridge-freezer, and cause temperature to rise.
- To adjust the temperature control easily, do not store food near the temperature control dial.
- Never keep too many foods in door rack, as this may stop the door from fully closing.
- Do not store bottles in the freezer compartment - they may break when frozen.
- Do not refreeze food that has been thawed. This causes loss of taste and nutrition.

NOTE

If you keep the fridge-freezer in a hot, and humid place, frequently open its door or put a lot of vegetables in it, dew may form in it, which has no effect on its performance.

Remove the dew with dust cloth free from care.

General Information

Power Failure

- 1~2 hour power failure does no harm to the foods stores. Try to avoid opening and closing the door too frequently.

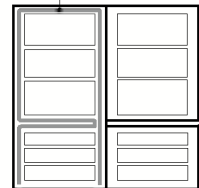
If You Move

- Take out foods from the fridge-freezer and firmly fix the loose items with tape.
- Turn the leveling screws until they stop before moving the fridge-freezer. Otherwise the screw may scratch the floor or the fridge-freezer cannot move.

Anti Condensation Pipe

- The Anti-Condensation pipe is installed around the front side of fridge-freezer as well as on the partition between fridge compartment and freezer compartment to prevent dewing.
- Especially after installation or when ambient temperature is high, the fridge-freezer may feel hot, which is quite normal.

Anti-Condensation Pipe

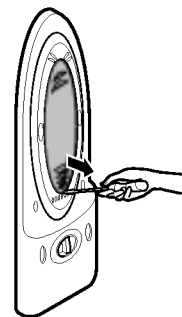


Lamp Replacement

1. Unplug the power cord from the outlet.
2. Remove fridge shelves.
3. To remove the lamp cover, insert ⊖ type driver in the underside of the lamp cover and pull it out forwards.
4. Turn the lamp counterclockwise.
5. Assemble in reverse order of disassembly.

Replacement lamp must be the same specification as original.

- You must check the O-RING, which is made by rubber and prevent electric spark.



Cleaning

Before Cleaning

Be sure to unplug the power.

Exterior

Clean the outside of the fridge-freezer with a soft cloth soaked with hot water or liquid detergent. If you use a detergent, be sure to wipe it with a clean wet cloth.

Interior

As above.

After Cleaning

Check that the power cord is not damaged, power plug has not overheated, and that the power plug is tightly inserted into the outlet.

▲ Warning

Be sure to dry the appliance with a cloth after washing it with water.

Do not use abrasive, petroleum, benzene, thinner, hydrochloride acid, boiling water, rough brush, etc, as they may damage parts of the fridge-freezer.

GRILLE and DRIP TRAY

1. After removing the HOLE part of the GRILLE with the finger, slowly pull the DRIP TRAY out.
2. After discharging Drip Water inside of the DRIP TRAY, clean and fully rinse the GRILLE and the DRIP TRAY.
3. Wipe moisture out around the DOOR part and the DRIP TRAY using a clean cloth.

Exterior Dispenser

Wipe moisture etc out outside of Dispenser and on the Dispenser Pad using a cloth.

Water Tank

1. Lift the WATER TANK up by pressing the fixing LEVER on the bottom of WATER TANK and then remove it.
2. After removing the CAP TANK (BIG), clean and fully rinse the inside/outside part of the WATER TANK by using neutral cleansing agent.

Cap Tank (Big & Small)

Clean and fully rinse the Cap Tank (Big & Small) by using neutral cleansing agent.

Especially for the groove part of the CAP TANK, it is convenient to cleanse it by using a small brush.

Valve Assembly

Clean and fully rinse the VALVE ASSEMBLY by using a small brush. Rinse it while operating the bottom part of the valve assembly. Always fix the Sealing Rubber separated for cleansing at the existing position (may result in water leakage).

Before calling for service, check this list. It may save you both time and expense. This list includes common occurrences that are not the result of defective workmanship or materials in this appliance.

Problem

Possible Causes

Fridge-Freezer does not operate

- Power plug may be unplugged from the electric outlet.
Plug it in securely.
- House fuse has blown or circuit breaker has tripped.
Check and/or replace fuse and reset circuit breaker.
- Power cut.
Check house lights.

Fridge or Freezer Compartment Temperature too warm

- Temperature control not set on proper position.
Refer to Temperature Control section.
- Appliance is placed close to heat source.
- Warm weather-frequent door openings.
- Door left open for a long time.
- Package holding door open or blocking air duct in freezer compartment.

Vibration or Rattling or Abnormal Noise

- The floor on which the fridge-freezer is installed may be uneven or the fridge-freezer may be unstable.
Make it even by rotating the leveling screw.
- Unnecessary objects placed in the back side of the fridge-freezer.

Frost or Ice Crystals on frozen Food

- Door may have been left ajar or package holding door open.
- Too frequent or too long door openings.
- Frost within package is normal.

Moisture forms on Cabinet Surface

- This phenomenon is likely to occur in a wet space.
Wipe it with a dry towel.

Problem

Possible Causes

Moisture collects inside

- Too frequent or too long door openings.
- In humid weather, air carries moisture into fridge when doors are opened.

Fridge has odor

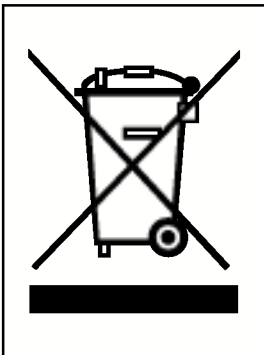
- Foods with strong odors should be tightly covered or wrapped.
- Check for spoiled food.
- Interior needs cleaning.
Refer to **CLEANING** section

Door not closing properly

- Food package is keeping door open.
Move packages that keep door from closing.
- Fridge-freezer is not level.
Adjust the leveling screws.
- The floor on which the fridge-freezer is installed may be uneven or the fridge-freezer may be unstable.
Slightly raise the front side with the leveling screw.

Interior light does not work

- No power at outlet.
- Light lamp needs replacing.
Refer to the **Lamp Replacement** section.



DISPOSAL OF YOUR OLD APPLIANCE

1. When this crossed-out wheeled bin symbol is attached to a product it means the product is covered by the European Directive 2002/96/EC.
2. All electrical and electronic products should be disposed of separately from the municipal waste stream via designated collection facilities appointed by the government or the local authorities.
3. The correct disposal of your old appliance will help prevent potential negative consequences for the environment and human health.
4. For more detailed information about disposal of your old appliance, please contact your city office, waste disposal service or the shop where you purchased the product.

To Reverse the Doors

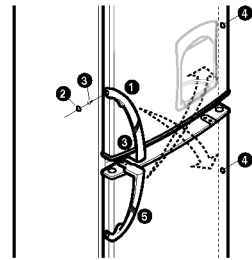
Your fridge-freezer is designed with reversible doors, so that they may open from either the left or right hand side to suit your kitchen design.

Precaution

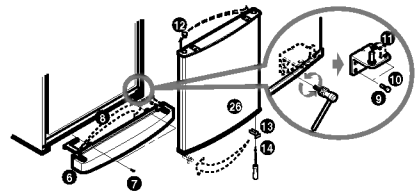
1. Before reversing the door, first of all, you should take out food and accessories like shelves or trays which are not fixed in the fridge-freezer.
2. Use Torque Wrench or Spanner to fix or remove the bolt.
3. Do not lay the fridge-freezer down. This will cause problems.
4. Be careful not to drop the doors in disassembling or assembling.

How to Reverse the Doors

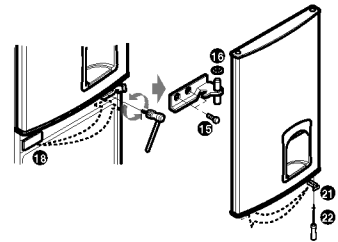
1. Remove SCREWS ③ after removing a CAP ② from the right part of the refrigerator room HANDLE ①. Remove 2 SCREWS ③ on the bottom part of the refrigerator room HANDLE ①. The freezer room HANDLE ⑤ may be also separated in the same sequence as in the refrigerator room HANDLE ①.



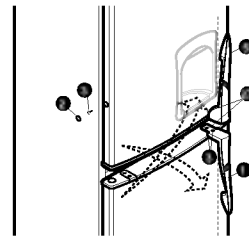
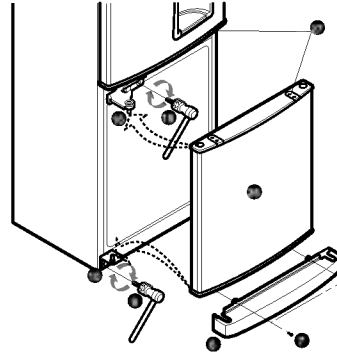
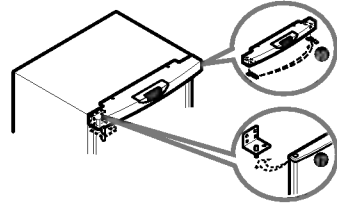
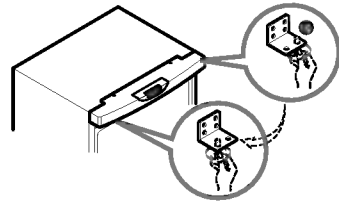
2. Remove screw ⑦ and remove Cover ⑥ and move Cap Cover ⑧. And, remove screw ⑨, Hinge-L ⑩, and remove pin ⑪. Remove the Freezer Door ⑫, and move the position of the cap ⑬. Move the position of bracket door ⑭ and screw ⑮.



3. Remove bolt ⑮ and remove the Hinge-C ⑯ and the Fridge Door ⑰. Move the position of the cap ⑱. Move the position of bracket door ⑳ and screw ㉑.



4. Move the position of Hinge-U pin 19, and Cap, Top cover 20 Assemble the Fridge Door 17 Assemble Hinge-C 16 and bolt 15 Assemble F-Door 26. Assemble the Hinge-L 10 and bolt 9. Assemble Low Cover 6 and screw 7.



5. Install HANDLES 5 installed at the existing freezer room, at the refrigerator room. Adjust the bottom part of HANDLES to the groove and then fasten 2 screws 3 after removing the CAP 7. After bolting SCREWS in the side of the refrigerator room DOOR, press and insert the CAP 2. Insert the CAP 4 to hole which the HANDLE 1 was installed previous. The freezer room HANDLES 1 are assembled in the same manner as above using the existing.

6. Stop the groom where the existing HANDLE 1, 5 was installed at by using the CAP 7 removed in the initial installation.

Note

Reversing the doors is not covered by the warranty.

Table des matières

Introduction	Enregistrement —————	20
	Importantes Instructions de Sécurité —————	20
	Identification des pièces —————	22
Installation	Installation —————	23
	Mise en marche —————	23
Opération	Contrôle de la Température —————	24
	Congélation rapide —————	24
	Vacances —————	25
	Self Test —————	25
	Signal d’alarme de porte —————	25
	Dégivrage —————	25
	Faire les Glayons —————	25
	Distributeur —————	26
Suggestion sur la Conservation des Aliments	Conservation des aliments —————	28
Soin et Entretien	Informations Générales —————	29
	Remplacement des lampes —————	29
	Nettoyage —————	30
Trouver les Pannes	Trouver les pannes —————	32
Pour inverser le sens d’ouverture des Portes	Précautions —————	36
	Comment inverser le sens d’ouverture des Portes —————	36

Enregistrement

Introduction

Le modèle et le numéro de série se trouvent à l'arrière de l'unité. Ce numéro est unique pour l'unité et ne se trouve pas sur d'autres. Vous pouvez enregistrer ici les informations nécessaires et conserver ce manuel comme un enregistrement permanent de votre achat. Mettez ici votre reçu.

Date d'achat : _____

Acheté auprès du vendeur : _____

Adresse du vendeur : _____

Numéro de téléphone du vendeur : _____

Modèle No. : _____

Série No. : _____

Importantes Instructions de Sécurité

Précautions

Ce réfrigérateur-congélateur doit être installé correctement et placé selon les Instructions d'installation avant d'être utilisé.

Ne débranchez jamais votre réfrigérateur congélateur en tirant sur le câble d'alimentation. Prenez fortement la fiche pour l'enlever de la prise.

Quand vous déplacez votre appareil, faites attention à ne pas passer sur le câble d'alimentation et à ne pas l'endommager.

Quand votre réfrigérateur-congélateur est en marche, ne touchez pas les surfaces froides du compartiment congélateur, surtout avec les mains humides ou mouillées. La peau pourrait se coller à ces surfaces extrêmement froides.

Importantes Instructions de Sécurité

Précautions

Débranchez la fiche d'alimentation avant de nettoyer le réfrigérateur-congélateur.
N'endommagez pas, ne pliez pas, ne tirez pas, ne tordez pas le âble d'alimentation car un câble d'alimentation endommagé peut auser un incendie ou une décharge électrique.
Ne mettez jamais des produits en verre dans le congélateur parce qu'ils pourraient se casser quand leur contenu est congelé.

Ne modifiez ni ne rallongez le cordon d'alimentation

Autrement, vous risquez de provoquer un choc électrique ou un incendie.



Ne pas Utiliser une Rallonge

Si possible, branchez seulement le réfrigérateur-congélateur à une prise électrique pour le protéger et pour protéger d'autres appareils ou des lampes d'une surcharge.

L'accessibilité de la Prise d'alimentation

Le réfrigérateur-congélateur doit être positionné pour que la prise d'alimentation est accessible pour la déconnexion en cas d'accident.

Remplacement de la Corde d'Alimentation

Si la corde d'alimentation est endommagée, elle doit être remplacée par le fabricant ou par l'agent de service ou par quelqu'un qualifié similaire pour éviter le hasard.

Danger

Risque d'enfermer un enfant.

Avant de jeter votre vieux réfrigérateur ou congélateur : Enlevez les portes.

Laissez les étagères en place pour que les enfants ne puissent pas se glisser facilement à l'intérieur.

Ne pas Conserver

N'emmagasinez pas ou n'utilisez pas de l'essence ou d'autres produits inflammables en proximité de cet appareil ou d'autres appareils.

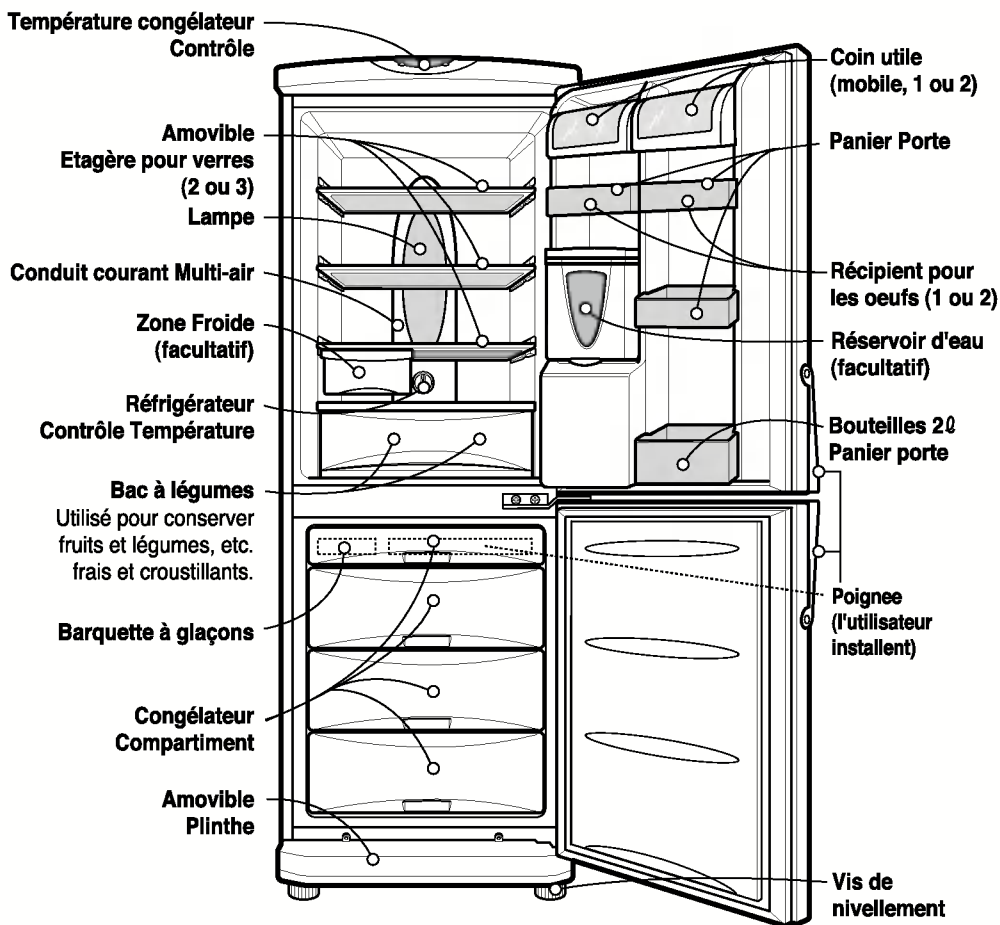
Mise à Terre

Dans le cas d'un court-circuit électrique, la mise à terre réduit le risque de chocs électriques en fournissant un câble de fuite au courant électrique. Pour prévenir tout choc électrique, l'appareil doit être mis à terre.

Une utilisation impropre de la fiche de terre peut provoquer un choc électrique.

Consultez un électricien qualifié si vous n'avez bien compris les instructions de mise à terre ou si vous avez quelques doutes sur le fait que l'appareil a été correctement mis à terre.

Identification des Pièces



NOTE

- Si vous avez trouvé quelques pièces pour votre appareil, celles-ci pourraient être des pièces utilisées sur d'autres modèles.

Installation

1. Choisissez un bon emplacement.
Placez votre réfrigérateur-congérateur dans un endroit où il est facile à utiliser.
2. Evitez de placer l'appareil à côté d'une source de chaleur, de la lumière directe du soleil ou d'une source d'humidité.
3. Il doit y avoir une bonne circulation d'air autour de votre réfrigérateur-congérateur pour qu'il fonctionne bien.
4. Pour éviter des vibrations, l'appareil doit être nivelé.
Si nécessaire, réglez les vis de nivellement pour compenser un plancher inégal.
L'avant doit être légèrement plus élevé que l'arrière pour faciliter la fermeture de la porte.
Des vis de nivellement peuvent être utilisées pour incliner légèrement le corps du réfrigérateur.
Vissez les vis de nivellement dans le sens contraire des aiguilles d'une montre (↻) pour soulever l'appareil, dans le sens contraire des aiguilles d'une montre (↺) pour l'abaisser.
5. Nettoyez complètement votre réfrigérateur-congérateur et enlever toute la poussière accumulée pendant le transport.
6. Installez les accessoires comme les barquettes à glaçons, etc. dans leurs emplacements. Ils sont emballés ensemble pour prévenir de possibles dommages pendant le transport.
7. Branchez le câble d'alimentation à une prise.
Ne branchez pas d'autres appareils à la même prise.
8. Pour garantir une bonne circulation de l'air autour du réfrigérateur, veuillez aménager suffisamment d'espace des deux côtés comme au-dessus de l'appareil et conserver un intervalle de 5 cm entre l'arrière de l'unité et le mur.

Mise en Marche

Quand votre réfrigérateur-congérateur est installé, il a besoin de 2-3 heures pour se stabiliser à la température normale de fonctionnement avant de le remplir avec de la nourriture fraîche ou congelée. Si la fiche d'alimentation est débranchée, attendez 5 minutes avant de le remettre en marche.

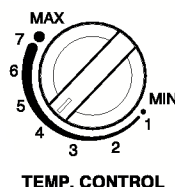
Votre réfrigérateur-congérateur est maintenant prêt à l'utilisation.

Contrôle de la Température

Votre réfrigérateur-congélateur possède deux contrôles où vous pouvez régler la température dans le réfrigérateur et dans le congélateur.

Réfrigérateur

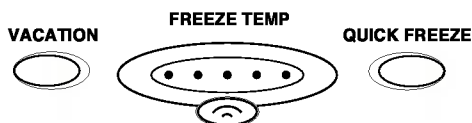
- Réglez d'abord le TEMP. CONTROL à "4". Puis réglez la température du compartiment comme vous le désirez.
- Si vous désirez une température légèrement plus élevée ou plus basse, tournez la poignée respectivement sur MIN ou MAX.



Quand la température ambiante est basse, réglez le contrôleur du réfrigérateur sur l'option 'Min'.

Congélateur

- Le contrôle de température du congélateur est situé au sommet du réfrigérateur-congélateur. Réglez d'abord la FREEZE TEMP à un niveau moyen. En appuyant sur le bouton de contrôle de la température du congélateur vous pouvez régler la température du congélateur comme indiqué par les chiffres illuminés de la lampe. (le réglage est composé de cinq mesures, 5 chiffres illuminés indiquent la température la plus froide.)
- Quand vous allumez le Réfrigérateur-congélateur ou quand vous branchez la fiche à la prise, le réglage de la température se fait automatiquement sur une valeur moyenne.



Congélation Rapide

- Cette fonction est utilisée quand vous désirez congeler rapidement la nourriture. Appuyez sur le bouton 'QUICK FREEZE' une fois, et l'opération de congélation rapide commence. Cette opération a besoin de 3 heures. Quand elle est terminée, l'appareil retourne automatiquement à son état normal. Si vous voulez arrêter l'opération de congélation rapide, appuyez une autre fois sur le bouton 'QUICK FREEZE', la lampe



Vacances

Cette fonction permet de faire passer le réfrigérateur-congélateur à un mode économie d'énergie qui est utile quand vous partez en vacances et qui réduit la consommation d'énergie le plus possible.



En appuyant sur 'VACATION' l'opération se met en marche avec la lampe ON et en appuyant de nouveau l'opération s'arrête. Pour un meilleur fonctionnement, vous pouvez régler le TEMP. CONTROL sur "MIN".

Self Test

Cette fonction vous permet de contrôler les problèmes pendant les opérations. Si vous pensez avoir un problème avec votre réfrigérateur-congélateur, appuyez sur la touche de contrôle de la température :

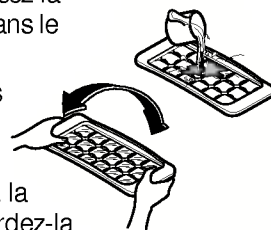
- Si l'indicateur se déplace vers le haut ou vers le bas, votre réfrigérateur-congélateur n'a pas de problème.
- Si l'indicateur ne se déplace pas vers le haut ou vers le bas, laissez le courant branché et appelez l'agent d'assistance le plus proche.

Signal d'alarme de porte

Quand la porte de la réfrigérateur est laissée ouverte pendant un temps, le signal d'alarme sonne.

Dégivrage

- Pour faire des glaçons, remplissez la barquette d'eau et placez-la dans le congélateur.
- Si vous désirez rapidement des glaçons, appuyez sur le bouton 'QUICK FREEZE'.
- Pour enlever les glaçons, tenez la arquette à ses extrémités et tordez-la délicatement.

**Vacances**

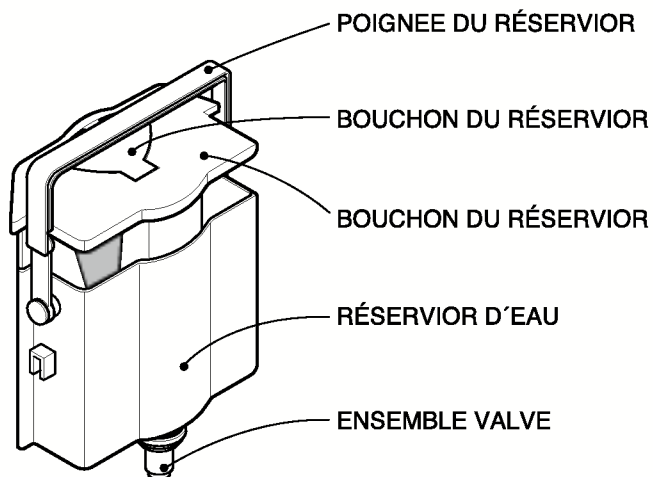
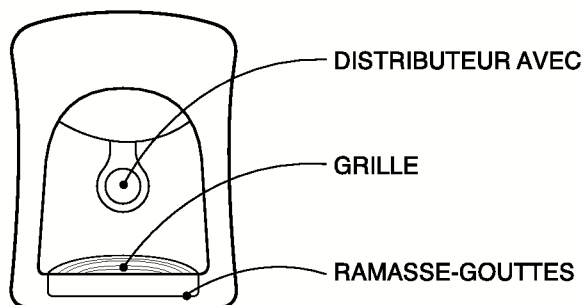
Pour enlever facilement les glaçons, faites couler un peu d'eau sur la barquette avant de la tordre.

Faire les Glaçons

Le dégivrage commence automatiquement. L'eau de dégivrage tombe dans le récipient d'évaporation et s'évapore automatiquement.

Distributeur (facultatif)

Features



Install

Montez correctement l'ENSEMBLE VALVE après l'avoir correctement réglée avec une OUVERTURE DE PORTE

Remplissage du RESERVOIR D'EAU

1. Après avoir tourné la POIGNEE du réservoir vers l'arrière avec le RESERVOIR D'EAU installé sur la PORTE, ouvrez le BOUCHON DU RESERVOIR (PETIT) et remplissez-le d'eau en utilisant une cuvette, etc.
 - * Remplissez d'eau en regardant le repère transparent placé à l'avant du RESERVOIR D'EAU.
 - * Le remplissage peut aller jusqu'à 4,5 l .
2. Appuyez sur et fixez le BOUCHON DU RESERVOIR (PETIT)
3. Après avoir rempli d'eau de source, fixez la POIGNEE DU RESERVOIR en position correcte.

POUR BOIRE

1. Appuyez sur la touche du distributeur avec un verre.
2. En appuyant sur la touche, le distributeur fournit l'eau qu'il a à l'intérieur.
3. Si vous enlevez lentement le verre de la touche, l'eau ne tombera pas.

Attention

N'utilisez pas d'autres boissons (lait, jus, boissons gazeuses, etc.) que de l'eau de source. En particulier, les boissons contenant des céréales ne doivent pas être utilisées (elles pourraient provoquer des pannes).

Conservation des Aliments

- Ne conservez pas de nourriture qui est périssable à de basses températures, comme les bananes ou le melon.
- Laissez refroidir la nourriture chaude avant de la mettre au réfrigérateur. Mettre les aliments chauds dans le réfrigérateur-congélateur pourrait gâcher les autres aliments, et augmenter la facture d'électricité.
- Quand vous conservez les aliments, utilisez un récipient avec un couvercle. Cela empêche l'humidité de s'évaporer et aide les aliments à conserver leur goût et leur pouvoir nutritif.
- Ne bloquez pas la ventilation d'air avec des aliments.
Une bonne circulation d'air froid permet de bien conserver la température de votre réfrigérateur-congélateur.
- N'ouvrez pas fréquemment la porte. Ouvrir la porte fait entrer de l'air chaud dans le réfrigérateur-congélateur, et fait augmenter la température.
- Pour pouvoir régler facilement le contrôle de température, ne conservez pas d'aliments à côté du cadran de réglage de la température.
- Ne mettez jamais trop d'aliments dans le récipient sur la porte, s'il est trop plein il pourrait bloquer la porte.
- Ne conservez pas de bouteilles dans le compartiment congélateur, elles pourraient se casser quand elles se congèlent.
- Ne recongelez pas des aliments décongelés.
Cela provoque une perte de goût et de pouvoir nutritif.

La bonne conservation par le froid

- Précaution à prendre pour la conservation des denrées alimentaires. Certains aliments fragiles (Viande, Poisson, Plat préparé) nécessitent une conservation à basse température, un maximum de 4 °C, nécessaire pour éviter le développement de bactéries.
- Le compartiment denrées fraîches vous permettra de respecter les règles d'hygiène alimentaire.
La température de ce compartiment devra être réglé au maximum à 4 °C.

NOTE

Si vous placez votre réfrigérateur-congélateur dans un endroit chaud et humide, si vous ouvrez fréquemment sa porte ou si vous conservez beaucoup de légumes, de la rosée pourrait se former, ce qui n'influence pas ses performances. Enlevez la rosée avec un chiffon.

Informations Générales

Manque de Courant

- 1~2 heures de manque de courant ne font aucun mal aux aliments conservés.
Essayez d'éviter d'ouvrir et de fermer la porte trop fréquemment.

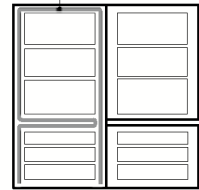
Si vous Déplacez

- Enlevez les aliments du réfrigérateur-congélateur et fixez les aliments libres avec un ruban.
- Tournez les vis de nivellement jusqu'au bout de leur course avant de déplacer le réfrigérateur-congélateur. Sinon, les vis pourraient érafler le plancher ou bien empêcher le déplacement du réfrigérateur-congélateur.

le tuyau anti-condensation

- Le tuyau anti-condensation est installé autour du panneau avant du réfrigérateur-congélateur ce qui sépare le compartiment réfrigérateur du compartiment congélateur pour éviter la formation de rosée.
- Surtout après l'installation ou quand la température de la pièce est élevée, le réfrigérateur-congélateur peut devenir chaud, ce qui est tout à fait normal.

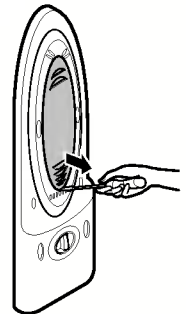
Tuyau anti-Condensation



Remplacement des lampes

1. Débranchez le câble d'alimentation de la prise.
2. Enlevez les étagères du réfrigérateur.
3. Pour enlever le couvercle de la lampe, insérez un tournevis dans la partie inférieure du couvercle et retirez le couvercle.
4. Tournez la lampe dans le sens contraire des aiguilles d'une montre.
5. Remontez le tout en sens inverse.

La lampe remplacée doit avoir les mêmes spécifications que l'original.



Nettoyage

Avant de nettoyer

Débranchez le courant.

Extérieur

Nettoyez l'extérieur du réfrigérateur-congérateur avec un chiffon souple imbibé d'eau chaude ou de liquide détergent. Si vous utilisez un détergent, faites attention de l'essuyer avec un chiffon propre et sec.

Intérieur

Nettoyez l'intérieur du réfrigérateur-congérateur avec un chiffon souple imbibé d'eau chaude ou de liquide détergent. Si vous utilisez un détergent, faites attention de l'essuyer avec un chiffon propre et sec.

Après le nettoyage

Contrôlez que le câble d'alimentation ne soit pas endommagé, que la fiche ne soit pas surchauffée et que la fiche soit fermement insérée dans la prise.

Attention

Faites attention de bien sécher l'appareil avec un chiffon après l'avoir lavé avec de l'eau. N'utilisez pas de détergents abrasifs, de pétrole, de benzène, de solvants, d'acide chlorhydrique, d'eau bouillante, de brosses rugueuses, etc., cela pourrait endommager des pièces de votre réfrigérateur-congérateur.

**GRILLE et
RAMASSE-GOUTTES**

1. Après avoir enlevé la partie OUVERTE de la GRILLE avec un doigt, faites sortir lentement le RAMASSE-GOUTTES.
2. Après avoir éliminé l'eau dans le RAMASSE-GOUTTES, nettoyez et rincez la GRILLE et le RAMASSE-GOUTTES.
3. Éliminez l'humidité autour de la PORTE et du RAMASSE-GOUTTES à l'aide d'un chiffon propre.

Distributeur externe

Éliminez l'humidité à l'extérieur du distributeur et de la touche du distributeur à l'aide d'un chiffon.

Réservoir d'eau

1. Soulevez le RESERVOIR D'EAU en appuyant sur le LEVIER au bas du RESERVOIR D'EAU, puis enlevez-le.
2. Après avoir enlevé le BOUCHON DU RESERVOIR (GRAND), nettoyez et rincez l'extérieur et l'intérieur du RESERVOIR D'EAU en utilisant un produit nettoyant neutre.

**Bouchon du réservoir
(Grand et petit)**

Nettoyez et rincez le bouchon du réservoir (grand et petit) en utilisant un produit nettoyant neutre.

Il vaut mieux, surtout pour la partie rainurée du BOUCHON DU RESERVOIR, nettoyer en utilisant une petite brosse.

Ensemble valve

Nettoyez et rincez l'ENSEMBLE VALVE en utilisant une petite brosse. Rincez en faisant fonctionner la partie inférieure de l'ensemble valve. Fixez toujours le caoutchouc d'étanchéité dans sa position pendant le nettoyage (il pourrait provoquer des fuites d'eau).

Avant d'appeler l'assistance, contrôlez cette liste. Cela pourrait vous permettre d'économiser du temps et de l'argent. Cette liste contient des événements courants qui ne sont pas le résultat de défaut de main-d'oeuvre ou de matériel de cet appareil.

Problème

Réfrigérateur-congélateur ne marche pas

La température du compartiment réfrigérateur ou congélateur est trop élevée

Vibrations ou craquements ou bruits anormaux

Cristaux de gel ou de glace sur les aliments

Causes possibles

- La fiche d'alimentation pourrait être débranchée de la prise électrique.
Branchez-la mieux.
- Le fusible de l'appartement a sauté ou le coupe-circuit s'est déclenché.
Contrôlez et/ou remplacez le fusible et remettez en fonction le coupe-circuit.
- Coupure courant.
Contrôlez les lampes de la maison.
- Le contrôle de température n'est pas réglé sur la bonne position.
Faites référence à la section Contrôle Température.
- L'appareil est placé trop près d'une source de chaleur.
- Temps chaud - ouvertures trop fréquentes de la porte.
- La porte est restée ouverte trop longtemps.
- Emballages bloquent la porte ouverte ou bloquent le conduit d'air dans le compartiment congélateur.
- Le plancher sur lequel est installé le réfrigérateur-congélateur est inégal ou bien le réfrigérateur-congélateur est instable.
Nivelez-le en tournant les vis de nivellement.
- Des objets non nécessaires sont placés derrière le réfrigérateur-congélateur.
- La porte est restée légèrement ouverte ou les emballages la bloquent ouverte.
- La porte a été ouverte trop souvent ou pendant trop longtemps.
- le gel sans emballages est normal.

Problème

Formation d'humidité sur la surface de l'appareil

Humidité se recueille à l'intérieur

Odeurs dans le Réfrigérateur

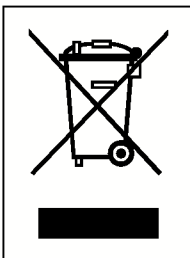
La porte ne ferme pas bien

La lampe interne ne s'allume pas

Causes possibles

- Ce phénomène se produit dans un espace humide. Essuyez avec une serviette sèche.
- Ouvertures de la porte trop fréquentes ou pendant trop longtemps.
- Avec un temps humide, l'air transporte de l'humidité dans le réfrigérateur quand la porte est ouverte.
- Les aliments avec une forte odeur peuvent être couverts ou emballés.
- Contrôlez les aliments gâtés.
- L'intérieur doit être nettoyé.
Faites référence à la section NETTOYAGE
- Des emballages d'aliments laissent la porte ouverte. Déplacez-les pour permettre la fermeture de la porte.
- Réfrigérateur-congélateur n'est pas nivelé. Réglez les vis de nivellement.
- Le plancher sur lequel est installé le réfrigérateur-congélateur est inégal ou bien le réfrigérateur-congélateur est installé de manière instable. Soulevez légèrement l'avant grâce aux vis de nivellement.
- Le courant n'arrive pas à la prise.
- Les lampes doivent être remplacées.
Faites référence à la section Remplacement des lampes.

Ce réfrigérateur satisfait " Le règlement pour l'emmagasinage de l'alimentation de sûreté des réfrigérateurs et des congélateurs domestiques" 98/34/CE.



ÉLIMINATION DE VOTRE ANCIEN APPAREIL

1. Ce symbole, représentant une poubelle sur roulettes barrée d'une croix, signifie que le produit est couvert par la directive européenne 2002/96/EC.
2. Les éléments électriques et électroniques doivent être jetés séparément, dans les vide-ordures prévus à cet effet par votre municipalité.
3. Une élimination conforme aux instructions aidera à réduire les conséquences négatives et risques éventuels pour l'environnement et la santé humaine.
4. Pour plus d'information concernant l'élimination de votre ancien appareil, veuillez contacter votre mairie, le service des ordures ménagères ou encore la magasin où vous avez acheté ce produit.

Pour inverser le sens d'ouverture des Portes

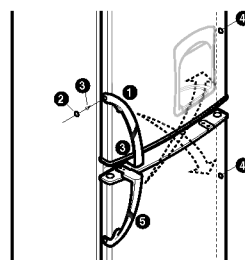
Votre réfrigérateur-congélateur a été conçu avec des portes réversibles qui peuvent s'ouvrir du côté droit ou du côté gauche en fonction de la disposition de votre cuisine.

Précautions

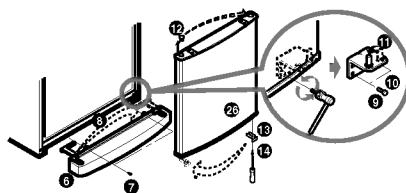
1. Avant d'inverser les portes, vous devez tout d'abord retirer tous les aliments et accessoires, comme les étagères et les plateaux, qui ne sont pas fixés à l'appareil.
2. Utilisez une Clé Dynamométrique ou une Clé à Molette pour fixer ou retirer le boulon.
3. Ne pas coucher le réfrigérateur sur le sol. Ceci provoquera des problèmes.
4. Faites attention de ne pas faire tomber les portes lors de leur démontage ou montage.

Comment inverser le sens d'ouverture des Portes

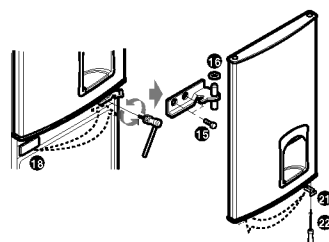
1. Retirez les VIS **3** après avoir retiré la protection **2** de la partie droite de la POIGNÉE **1** de la partie réfrigérateur.
Retirez 2 VIS **3** de la partie inférieure de la POIGNÉE **1** de la partie réfrigérateur. La POIGNÉE **5** de la partie congélateur peut également être séparée de la même façon que la POIGNÉE **1** de la partie réfrigérateur.



2. Retirez la vis **7** et le couvercle **6**, puis retirez la Protection du Couvercle **8**.
Ensuite, retirez la vis **9**, la Charnière en L **10** et retirez la cheville **11**. Retirez la Porte du Congélateur **26** et déplacez la protection **12**. Déplacez les crochets de la porte **13** et les vis **14**.



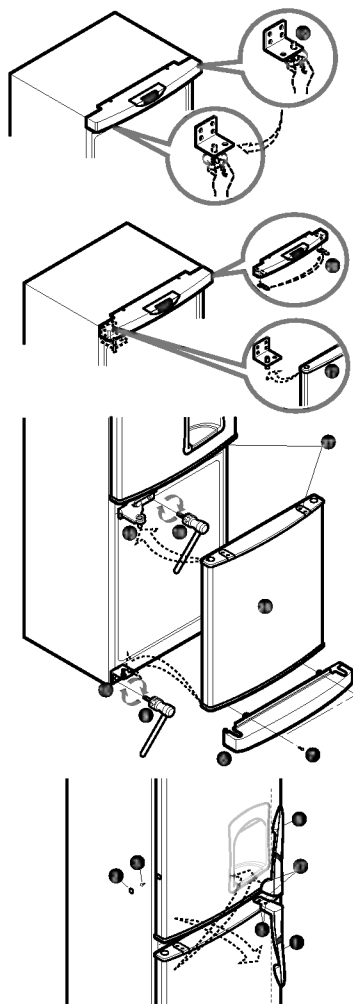
3. Retirez le boulon **15**, la Charnière-C **16** et la Porte du Réfrigérateur **17**. Déplacez la protection **18**. Déplacez les crochets de la porte **22** et les vis **21**.



4. Déplacez la cheville de la Charnière-U 19, de la Protection, et du Couvercle Supérieur 20. Assemblez la Porte du Réfrigérateur 17. Assemblez la charnière-C 16 et montez 15 la Porte du Congélateur 25. Assemblez la Charnière-L 10 et le boulon 9. Assemblez la Protection Inférieure 6 et la vis 7.

5. Installez les POIGNÉES 5 du compartiment Congélateur sur le compartiment Réfrigérateur. Réglez la partie inférieure des POIGNÉES sur les encoches puis serrez deux vis 3 après avoir retiré la PROTECTION 27. Après avoir serré les VIS sur le côté de la PORTE du compartiment réfrigérateur, appuyez et insérez la protection 2. Insérez la PROTECTION 4 dans l'orifice dans lequel était installée la POIGNÉE 1. Les POIGNÉES 1 du compartiment congélation sont montées de la même manière.

6. Arrêtez le mouvement à l'endroit où la POIGNÉE existante 1, 5 a été installé, en utilisant la PROTECTION 27 retirée au début.



Remarque

L'inversement des portes n'est pas couvert par la garantie.

Índice

Introducción	Registro	40
	Medidas de Seguridad Importantes	40
	Identificación de las piezas	42
Instalación	Instalación	43
	Puesta en marcha	43
Funcionamiento	Control de temperatura	44
	Congelación rápida	44
	Inactividad	45
	Autocomprobación	45
	Alarma de la puerta	45
	Producción de hielo	45
	Descongelación	45
	Dispensador	46
Recomendaciones para el almacenamiento de alimentos	Almacenamiento de comida	48
Cuidado y mantenimiento	Información general	49
	Sustitución de la lámpara	49
	Limpieza	50
Localización y reparación de averías	Localización y reparación de averías	52
Para invertir el sentido de apertura de las puertas	Precaución	54
	Cómo invertir el sentido de apertura de las puertas	54

Introducción

Registro

El modelo y el número de serie figuran en la parte de atrás de este aparato. Este número fue asignado especialmente para este aparato y no está disponible para otros. Se aconseja indicar los datos que se solicitan a continuación y guardar esta guía como registro permanente de su compra.

Fecha de Compra : _____

Distribuidor : _____

Dirección del Distribuidor : _____

Nº de Teléfono del Distribuidor : _____

Nº de Modelo : _____

Nº de Serie : _____

Advertencias

Medidas de Seguridad Importantes

Este frigorífico-congelador no debe utilizarse hasta que se haya instalado y colocado adecuadamente de acuerdo con las Instrucciones de instalación.

No desenchufe nunca su frigorífico-congelador tirando del cable de potencia. Agarre siempre el enchufe con fuerza y tire de la toma de corriente.

Cuando separe su electrodoméstico de la pared, tenga cuidado de no enrollar o deteriorar el cable de potencia.

Una vez que su frigorífico-congelador esté en funcionamiento, no toque las superficies frías del compartimento del congelador, especialmente cuando las manos estén húmedas o mojadas, ya que la piel puede adherirse a estas superficies tan frías.

Medidas de Seguridad Importantes

Advertencias

Desenchufe la clavija de toma de corriente antes de limpiar el frigorífico-congelador.

Evite deteriorar, doblar excesivamente, retorcer el cable de potencia o tirar de él, ya que si éste se estropea se puede provocar un incendio o un electrochoque.

No coloque nunca envases de vidrio en el congelador porque pueden romperse cuando sus contenidos se congelen.

No modifique ni prolongue el largo del cable de alimentación

Esto podría provocar una descarga eléctrica o un incendio.



No utilice prolongadores

Si es posible, conecte el frigorífico-congelador a una toma de corriente individual para impedir que éste y otros aparatos o las luces domésticas provoquen una sobrecarga.

Accesibilidad de enchufe de suministro

El enchufe de suministro del refrigerador-congelador debe estar ubicado en una posición de fácil acceso para la desconexión rápida en caso de emergencia.

Substitución de suministro flexible

Si el flexible hizo daño, debe consultar a la agencia de servicios o a la productora para evitar el peligro.

Peligro

Para evitar que los niños queden atrapados en su antiguo frigorífico, retire sus puertas antes de tirarlo y deje las parrillas en su sitio para que los niños no puedan meterse dentro fácilmente.

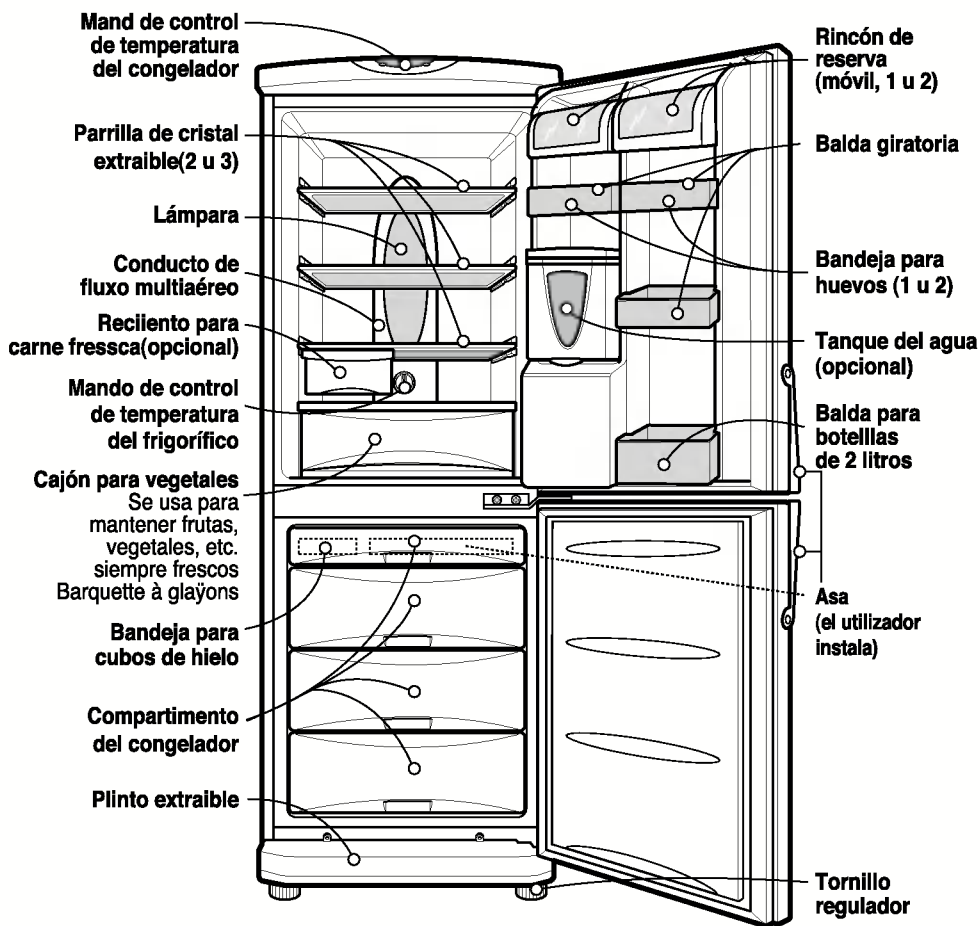
Inflamables

No almacene ni use gasolina u otros productos inflamables cerca de este electrodoméstico u otros.

Conexión a tierra

En caso de un corto-circuito, la conexión a tierra reduce el riesgo de un electrochoque ya que proporciona a la corriente eléctrica un cable de descarga. Para evitar un posible electrochoque, este aparato debe estar conectado a tierra. Un uso inadecuado del enchufe de conexión puede dar lugar a un electrochoque. Acuda a un electricista cualificado o a personal de mantenimiento si no entiende totalmente las instrucciones relativas a la conexión a tierra o si no está seguro de que el aparato está debidamente conectado a tierra.

Identificación de las piezas



Nota

Si no encuentra alguna de estas piezas en su aparato, debe tener en cuenta que pueden ser piezas que sólo se utilizan en otros modelos.

Instalación

1. Busque un lugar apropiado.
Coloque su frigorífico-congelador donde tenga un acceso fácil.
2. Evite colocar el aparato cerca de fuentes de calor, luz del sol directa o humedad.
3. Debe haber una circulación de aire apropiada en su frigorífico-congelador para que éste funcione eficazmente.
4. Para evitar vibraciones, asegúrese de que el aparato está perfectamente nivelado. Si es el suelo no es uniforme, adapte los tornillos reguladores para compensar la falta de uniformidad.
La parte frontal debe estar ligeramente más alta que la parte de atrás para facilitar el cierre de la puerta. Los tornillos reguladores se pueden girar fácilmente inclinando ligeramente el aparato. Gire los tornillos reguladores en sentido (↺) contrario a las agujas del reloj para elevar el aparato y en el mismo sentido (↻) de las agujas del reloj para bajarlo.
5. Limpie su frigorífico-congelador completamente y retire todo el polvo acumulado durante el envío.
6. Instale los accesorios, como la caja para los cubos de hielo, en su lugar apropiado. Se embalan juntos para impedir que se deterioren durante el envío.
7. Conecte el cable de alimentación (o enchufe) a la toma de corriente. No utilice la misma toma de corriente para otros aparatos.
8. Para asegurar la correcta circulación del aire alrededor del frigorífico/congelador, mantenga el espacio libre suficiente en ambos lados, así como en la parte superior, y mantenga la unidad a al menos 2 pulgadas (5 cm.) de la pared posterior.

Puesta en marcha

Una vez que su frigorífico-congelador esté instalado, deje que se estabilice durante 2-3 horas a una temperatura de Funcionamiento normal antes de introducir en él alimentos frescos o congelados.

Si se desconecta la clavija de toma de corriente, espere 5 minutos antes de la nueva puesta en marcha.

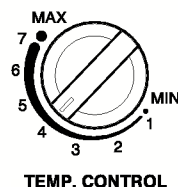
43 Su frigorífico-congelador ya está listo para su uso.

Control de temperatura

Su frigorífico-congelador tiene dos mandos que le permiten regular la temperatura de los compartimentos del frigorífico y del congelador.

Frigorífico

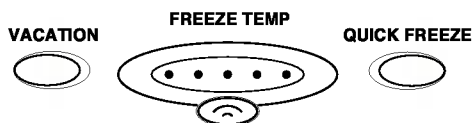
- Primero, sitúe el mando de TEMP.CONTROL en "4". Después regule la temperatura del compartimento a su gusto.
- Si desea una temperatura interior ligeramente más fría o menos fría, gire el mando hacia MÁX.



Cuando la temperatura de alrededor sea boga, ajuste el controlador de temperatura de la refrigeradora a 'Min'.

Congelador

- El mando de temperatura del congelador se encuentra en la parte de arriba del frigorífico-congelador. Primero, sitúe el mando de control de Temperatura de Congelación en el punto medio. Presionando el mando de la Temperatura del Congelador podrá regular la Temperatura del Congelador según el número de lámparas encendidas (se dispone de 5 niveles para el proceso de regulación; 5 lámparas encendidas indican el nivel más frío).
- Cuando se pone en marcha el frigorífico-congelador o se conecta la clavija a la toma de corriente, la regulación de temperatura se lleva a cabo automáticamente y el mando se sitúa en el punto medio.



Congelación rápida (quick freeze)

- Haga uso de esta función cuando quiera congelar los alimentos rápidamente. Presione el botón "QUICK FREEZE" una vez y así la operación de congelación rápida comenzará al tiempo que se enciende la lámpara. La operación de congelación rápida dura 3 horas aproximadamente. Cuando finaliza esta operación, el aparato vuelve al estado normal. Si desea interrumpir el proceso de congelación rápida, vuelva a presionar el botón "QUICK FREEZE"; la lámpara se apagará y el proceso de congelación rápida se interrumpirá y el refrigerador volverá al estado normal.



Inactividad

Gracias a esta función el frigorífico-congelador podrá seguir funcionando en el modo de ahorro de energía, lo cual es muy ventajoso cuando se sale de vacaciones, ya que el consumo de energía se reduce al máximo. Al presionar "VACATION" comienza el proceso y se activa la lámpara ON y para interrumpir el proceso hay que volver a presionar. Para un mejor funcionamiento se debe colocar el mando de temperatura "TEMP. CONTROL" en "MIN".



Autocomprobación

Esta función le permite detectar problemas en el funcionamiento. Si cree que tiene un problema con su frigorífico-congelador pulse el mando de control de temperatura:

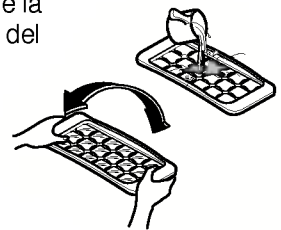
- Si las luces indicadoras se mueven hacia arriba y hacia abajo, su frigorífico-congelador no presenta ningún problema.
- Si las luces indicadoras no se mueven hacia arriba y hacia abajo, deje el aparato enchufado y diríjase a su servicio de asistencia técnica más próximo.

Alarma de la puerta

Quando la puerta del refrigerador es dejado abierta por un momento, suena la alarma.

Producción de hielo

- Para hacer cubos de hielo, llene la bandeja de hielo hasta el nivel del agua indicado y colóquela en el congelador.
- Si es necesario que los cubos de hielo se hagan rápidamente, presione el botón "QUICK FREEZE".
- Para retirar los cubos de hielo, sujete la bandeja por los extremos y retuerza suavemente.



Consejo

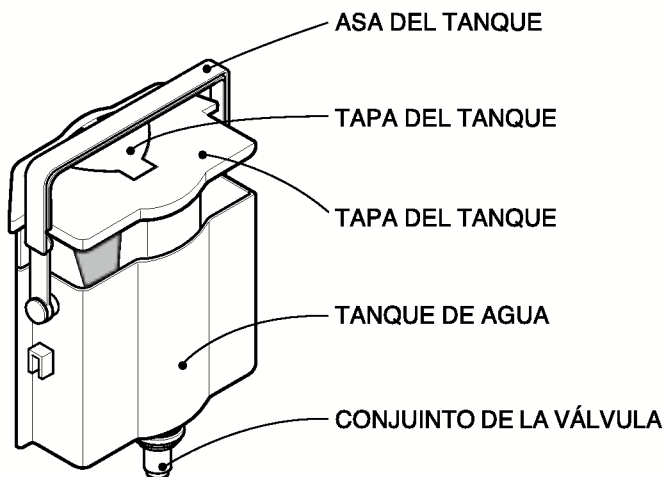
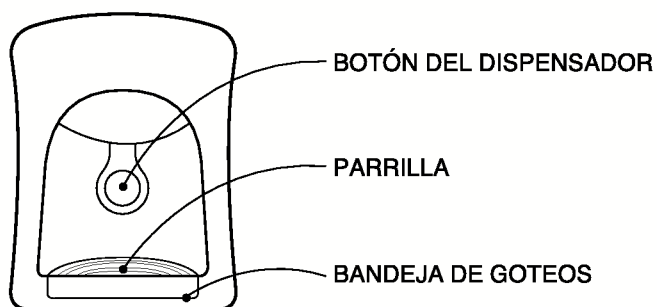
Para retirar fácilmente los cubos de hielo, pase la bandeja por agua corriente antes de retorcer.

Descongelación

La descongelación se lleva a cabo automáticamente. El agua de la descongelación converge en la bandeja de evaporización y se evapora automáticamente.

Dispensador (opcional)

Features



Instalación

Coloque el CONJUNTO DE LA VÁLVULA tras haberlo ajustado correctamente en el ORIFICIO DE LA PUERTA.

Llenado del TANQUE DE AGUA

1. Gire el ASA del tanque hacia atrás con el TANQUE DE AGUA instalado en la PUERTA. Abra la TAPA DEL TANQUE (PEQUEÑA) y rellene con agua utilizando una tetera.
 - * Vierta el agua mirando al cristal de la parte delantera del TANQUE DE AGUA.
 - * Puede verter agua hasta alcanzar 4,5 ℓ .
2. Presione y ajuste la TAPA DEL TANQUE (PEQUEÑA).
3. Ajuste el ASA DEL TANQUE en su posición adecuada después de verter el agua.

BEBIDA

1. Pulse el botón del dispensador con un vaso.
2. Al pulsar el botón, el agua del interior del dispensador sale.
3. Debe retirar el vaso con cuidado desde el botón de forma que el agua no caiga.

Atención

No vierta otro tipo de líquidos (leche, zumo, refrescos, etc.) que no sea agua. No vierta concretamente líquidos que sean granulados (puede provocar fallos de funcionamiento).

Almacenamiento de comida

- No almacene alimentos que se estropeen fácilmente a bajas temperaturas, como el plátano y el melón.
- Deje enfriar la comida caliente antes de guardarla. Si guarda comida caliente en el frigorífico-congelador, se pueden estropear otros alimentos y además el consumo de energía es mucho mayor.
- Para almacenar alimentos, utilice recipientes con tapas. Esto impide que se evapore la humedad y contribuye a mantener el sabor y el valor nutritivo de los alimentos.
- No bloquee con comida los tubos ventiladores. La circulación constante de aire frío mantiene uniforme la temperatura del frigorífico-congelador.
- No abra la puerta constantemente. Cuando se abre la puerta entra aire caliente en el frigorífico-congelador y esto conlleva un aumento de la temperatura.
- Para poder regular fácilmente el mando de la temperatura, evite almacenar comida cerca de la esfera del mando de la temperatura.
- No guarde demasiados alimentos en las baldas de la puerta, ya que esto puede impedir que la puerta se cierre totalmente.
- No ponga botellas en el compartimento del congelador ya que cuando se congelan pueden estallar.
- No vuelva a congelar comida que ha sido descongelada. Esto hace que los alimentos pierdan sabor y valor nutritivo.

Nota

Cuando el frigorífico-congelador está situado en un lugar caliente y húmedo, si se guardan muchos vegetales en el mismo o su puerta se abre constantemente se pueden formar gotas de agua en su interior sin que esto afecte a su rendimiento. Retire las gotas de agua con un paño seco.

Información General

Corte de energía

- Un corte de energía de 1-2 horas no perjudica la conservación de los alimentos. Procure evitar abrir y cerrar la puerta con mucha frecuencia.

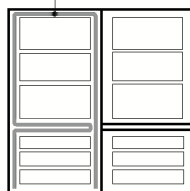
En caso de mudanza

- Retire toda la comida del frigorífico-congelador y precinte con firmeza todos los accesorios sueltos.
- Gire los tornillos reguladores hasta el tope antes de retirar el aparato; en caso contrario los tornillos pueden rayar el suelo o impedir el desplazamiento del frigorífico-congelador.

Tubo anticondensación

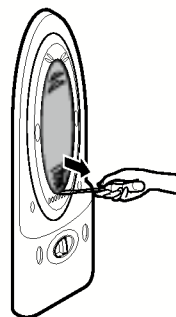
- El tubo anticondensación está instalado por toda la parte delantera del frigorífico-congelador así como en la línea divisoria entre el compartimento frigorífico y el compartimento congelador con el fin de evitar la formación de gotas.
- Es normal que el frigorífico-congelador se caliente, especialmente después de la instalación o cuando la temperatura ambiente es alta.

Tubo anticondensación



Sustitución de la lámpara

1. Desenchufe el cable de potencia de la toma.
2. Retire las parrillas del frigorífico.
3. Para retirar el protector de la lámpara, introduzca el destornillador modelo q en la parte inferior de la cubierta de la lámpara y tire hacia adelante.
4. Gire la lámpara en sentido contrario a las agujas del reloj.
5. Vuelva a instalar operando a la inversa. La nueva lámpara debe tener las mismas características que la original.



Limpieza

Antes de limpiar

No olvide desenchufar el aparato.

Exterior

Limpie la parte exterior del aparato con un paño suave humedecido con agua caliente o detergente líquido. Si utiliza detergente, no olvide retirarlo con un paño húmedo limpio.

Interior

Siga las instrucciones del apartado anterior.

Después de limpiar

Compruebe que el cable de potencia no está deteriorado, que la clavija no esté sobrecalentada y que esté bien introducida en la toma de corriente.

▲ Advertencia

No se olvide de secar el aparato con un paño después de lavarlo con agua.

No utilice abrasivos, petróleo, benceno, disolvente, ácido clorhídrico, agua hirviendo, cepillos ásperos, etc, ya que pueden deteriorar las piezas del frigorífico-congelador.

PARRILLA y BANDEJA DE GOTEOS

1. Retire la pieza del ORIFICIO de la PARRILLA con el dedo y, a continuación, retire la BANDEJA DE GOTEOS.
2. Si ha caído agua en la BANDEJA DE GOTEOS, limpie la PARRILLA y la BANDEJA DE GOTEOS.
3. Limpie la humedad que haya alrededor de la PUERTA y de la BANDEJA DE GOTEOS utilizando un trapo limpio.

Dispensador exterior

Limpie la humedad que haya alrededor del dispensador y del botón utilizando un trapo.

Tanque del agua

1. Levante el TANQUE DEL AGUA presionando sobre la PALANCA fija al final del TANQUE DEL AGUA y, a continuación, retírelo.
2. Limpie las piezas exteriores e interiores del TANQUE DEL AGUA utilizando un producto de limpieza neutro después de retirar la TAPA DEL TANQUE (GRANDE).

Tapa del tanque (grande y pequeña)

Limpie la tapa del tanque (grande y pequeña) con un producto de limpieza neutro.

Se le aconseja que utilice un cepillo pequeño para limpiar las ranuras de la TAPA DEL TANQUE

Conjunto de la válvula

Limpie el CONJUNTO DE LA VÁLVULA con un cepillo pequeño. Límpielo mientras funciona la parte inferior del conjunto de la válvula. Fije siempre el sello de caucho que se separa para limpiarlo en la posición actual (puede que se produzcan escapes de agua).

Antes de acudir a la asistencia técnica, consulte la lista de abajo.

Esto supondrá un ahorro de tiempo y dinero.

Esta lista incluye los incidentes más frecuentes que no son debidos a la fabricación o materiales defectuosos de este aparato.

Problema

Posibles causas

El frigorífico-congelador no funciona

- Puede que la clavija esté desenchufada de la toma de corriente.
Enchúfela con firmeza.
- El fusible doméstico se ha quemado o ha saltado el interruptor.
Compruebe el fusible y sustitúyalo si es necesario, y vuelva a conectar el interruptor.
- Corte de energía.
Compruebe las luces de la casa.

Temperatura del Frigorífico o del Congelador demasiado caliente

- El mando de la temperatura no está situado en la posición adecuada.
Permítase a la sección Control de Temperatura.
- El aparato está próximo a una fuente de calor.
- Medio cálido – apertura frecuente de puertas.
- La puerta se mantiene abierta durante mucho tiempo.
- Algún envase impide que se cierre la puerta o bloquea el conducto de aire del compartimento congelador.

Vibración, traqueteo o ruidos anormales

- Puede que el suelo en el que el aparato está instalado no sea uniforme o que el frigorífico-congelador no esté firme.
Nivélelo girando el tornillo regulador.
- Presencia de objetos innecesarios en la parte trasera del aparato.

Escarcha o cristales de hielo en comida congelada

- Puede que se haya dejado la puerta entreabierta o que un envase impide que ésta se cierre.
- Apertura de puerta prolongada o muy frecuente.
- Es normal que se formen escarchas dentro de los envases.

Problema

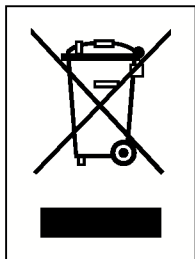
Acumulación de humedad en el aparato

Acumulación de humedad en el interior

El frigorífico despiden mal olor

La puerta no cierra adecuadamente

La luz del interior no funciona



Posibles causas

- Es probable que esto suceda en un espacio húmedo.
Limpie con un paño seco.
- Apertura de puerta prolongada o muy frecuente.
- Cuando el ambiente es húmedo, al abrir las puertas el aire lleva la humedad hacia el frigorífico.
- Los alimentos que despiden mucho olor deben guardarse herméticamente o envolverse.
- Compruebe si hay comida estropeada.
- El interior necesita limpieza.
Remítase a la sección LIMPIEZA.
- Hay algún envase que impide que la puerta se cierre.
Retírelos.
- El frigorífico-congelador no está nivelado.
Ajuste los tornillos reguladores.
- Puede que el suelo en el que el aparato está instalado no sea uniforme o que el frigorífico-congelador no esté firme.
Eleve ligeramente la parte delantera con el tornillo regulador.
- No hay corriente en la toma.
- Hay que cambiar la lámpara.
Remítase a la sección Sustitución de lámpara

CÓMO DESHACERSE DE APARATOS ELÉCTRICOS Y ELECTRÓNICOS VIEJOS

1. Si en un producto aparece el símbolo de un contenedor de basura tachado, significa que éste se acoge a la Directiva 2002/96/CE.
2. Todos los aparatos eléctricos o electrónicos se deben desechar de forma distinta del servicio municipal de recogida de basura, a través de puntos de recogida designados por el gobierno o las autoridades locales.
3. La correcta recogida y tratamiento de los dispositivos inservibles contribuye a evitar riesgos potenciales para el medio ambiente y la salud pública.
4. Para obtener más información sobre cómo deshacerse de sus aparatos eléctricos y electrónicos viejos, póngase en contacto con su ayuntamiento, el servicio de recogida de basuras o el establecimiento donde adquirió el producto.

Para invertir el sentido de apertura de las puertas

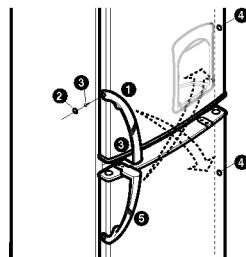
Su frigorífico/congelador ha sido diseñado con puertas reversibles, de tal forma que puedan abrirse hacia izquierda o derecha, a fin de adaptarse al diseño de su cocina.

Precaución

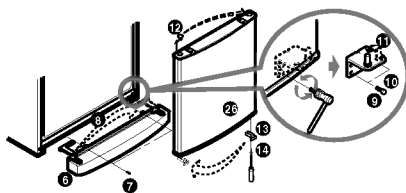
1. Antes de invertir el sentido de la puerta, retire toda la comida y accesorios de las baldas o bandejas no fijas del frigorífico/congelador.
2. Utilice una llave de torsión o de tuercas para fijar o extraer el perno.
3. No tumbé el frigorífico/congelador horizontalmente. Esto podría ocasionar problemas.
4. Tenga cuidado de no dejar caer las puertas durante el proceso de desmontaje o montaje.

Cómo invertir el sentido de apertura de las puertas

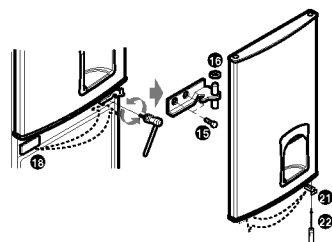
1. Quitar los TORNILLOS ③ tras extraer una TAPA ② de la parte derecha del ASA ① del frigorífico. Quitar los 2 TORNILLOS ③ de la parte inferior del ASA ① del frigorífico. El ASA ⑤ del congelador también puede separarse en la misma secuencia que el ASA ① del frigorífico.



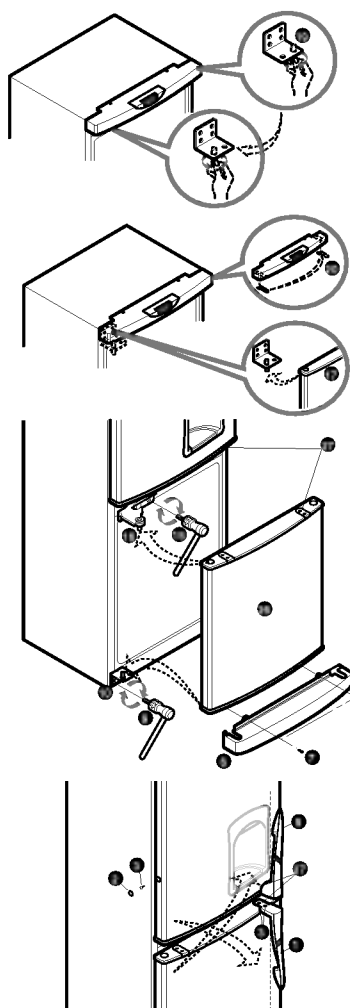
2. Quite el tornillo ⑦ y extraiga la tapa ⑥ y la cubierta de la tapa ⑧. Además, quite el tornillo ⑨, bisagra en L ⑩, y retire el perno ⑪. Retire la puerta del congelador ⑳, y desplace la tapa ⑫ de posición. Cambie la posición de la abrazadera de la puerta ⑬ y el tornillo ⑭.



3. Retire el perno ⑮ y la bisagra en C ⑯ y la puerta del frigorífico ⑰. Cambie la posición de la tapa ⑱. Cambie la posición de la abrazadera de la puerta ㉒ y el tornillo ㉑.



4. Cambie la posición del perno 19 de la bisagra en U, la tapa, montaje de la cubierta superior 20 bisagra en C 16 de montaje de la puerta del frigorífico 17 y el perno 15 de montaje de la puerta F 24 . Monte la bisagra en L 10 y el perno 9. Montaje de la cubierta inferior 6 y el tornillo 7.
5. Monte las ASAS 5 instaladas en el compartimento congelador existente, en el frigorífico. Ajuste la parte inferior de las ASAS sobre la ranura y, a continuación, apriete los 2 tornillos 3 tras extraer la TAPA 27 . Tras atornillar los TORNILLOS en el lateral de la PUERTA del frigorífico, presione e inserte la TAPA 2 . Inserte la TAPA 4 en el orificio en el que antes estaba instalada el ASA 1 . Las ASAS 1 del congelador se montan de forma idéntica a las anteriores, empleando las guías existentes.
6. Cese cuando alcance el punto donde el ASA 1 estaba instalada 5 utilizando la TAPA 27 extraída durante la instalación inicial.



Nota

El proceso de inversión del sentido de apertura de las puertas no está cubierto por la garantía.

