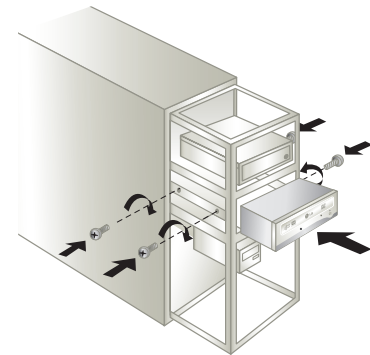
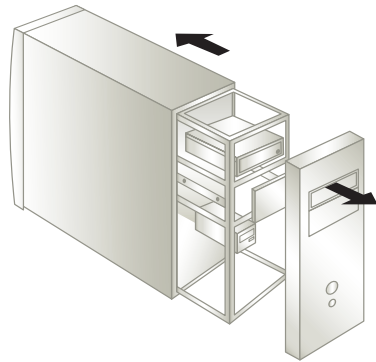
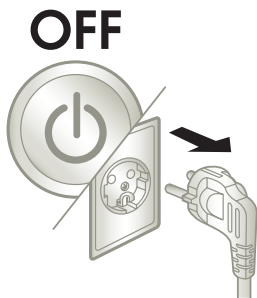


# Installing the Drive

Before installing the drive, turn off the system power.

## 1 Disconnect the power cord, and remove the cover.

- Remove a vacant 5.25" drive bay panel from the computer. Slide the drive into the drive bay.



## 2 Set the jumper on the rear of the drive as necessary.

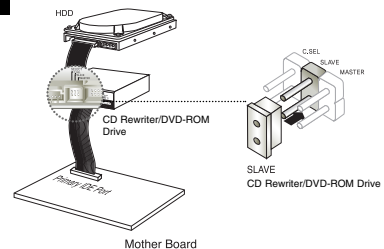
### A. When using a Primary IDE port

If you need to connect your drive to the same primary IDE channel as the hard drive, the drive should be set to SLAVE position.

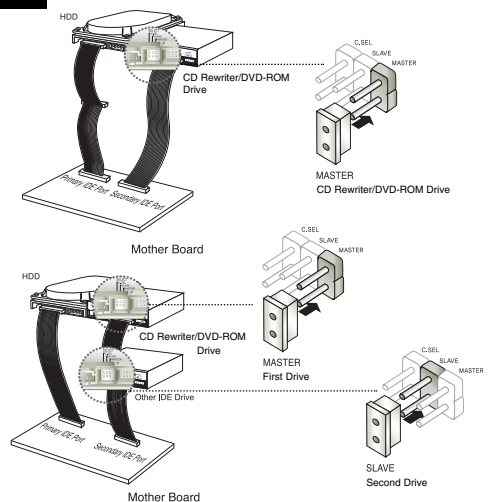
### B. When using a Secondary IDE port

- 1 If there is no device connected to the secondary IDE channel, connect the drive to this channel and set the jumper to MASTER.
- 2 When two drives are connected, set one drive to MASTER and the other drive to SLAVE. If your operating system encounters interface problems after installing the new drive, try swapping the jumpers or move one drive to another IDE channel.

### Method A

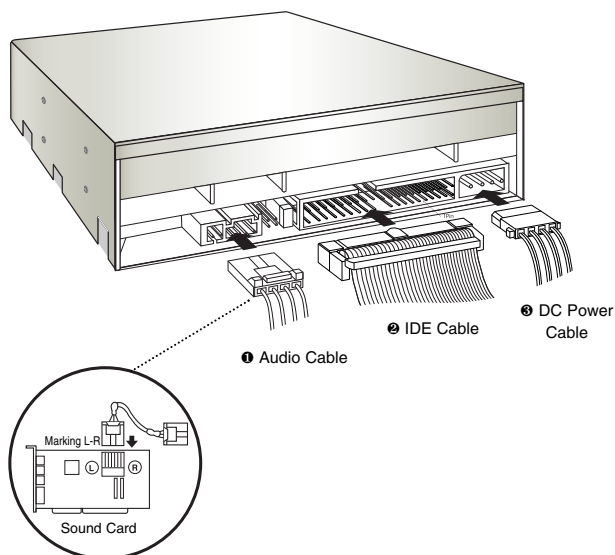


### Method B



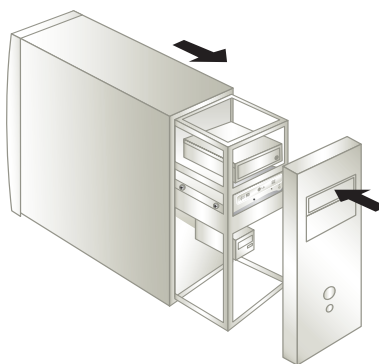
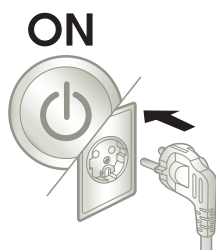
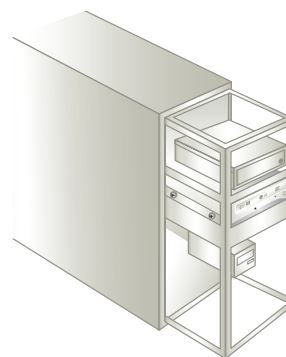
### 3 Connect the audio cable/IDE data cable/DC power cable to the drive.

- 1 Connect the audio cable (if applicable) to the drive and then to the computer's audio connection, located on the sound card or the mother board.  
This connection is normally not required.
- 2 Connect the IDE data cable to the back of the drive.
- 3 Connect a 4-pin power supply cable from the computer to the drive.



### 4 Replace the cover, connect the power cord and restart your computer.

- Your computer configuration may differ from the illustrations.



# LG Quick Set-up Guide

CD Rewriter/DVD-ROM Drive GCC-H23N

To install of your product, please read this guide manual carefully and completely. For the detailed owner's manual of the drive, please refer to the CD manual.

## Features

- Enhanced-IDE (ATAPI) interface.
  - Power tray loading and ejection of disc. (The disc can also be ejected manually.)
  - Combination CD-R/RW and DVD-ROM Drive functions into one drive.
  - Supports Region playback control Phase II.
  - Supports Windows 98, 2000, ME, XP and Vista
  - Supports Mt. Rainier.
  - Supports DVD-RAM disc read.
  - Automatic buffer underrun error prevention technology-SuperLink
  - 52X max Writing (CD-R), 32X max ReWriting (CD-RW), 16X max Reading (DVD-ROM), and 52X max Reading (CD-ROM)\*.
- \* Writing speed depends on capabilities of discs.  
As a result, for ultra speed write/rewrite, you should use media labelled Ultra Speed Write/ReWritable discs

### Package Items

Item	Quantity
- Internal CD Rewriter/DVD-ROM Drive	1
- CD Recording Software (with Power DVD)	1
- Quick Set-up Guide for CD Rewriter/DVD-ROM Drive	1

## System Environment

### Computer

This unit can be operated in the system environment explained here.

System requirements	CPU	350MHz (or faster) Pentium (for high speed, 500MHz or faster recommended)
	Memory	64MB or greater(128MB or over recommended)
Hard disk		75MB or more free space. (The free space needed for writing depends on the quantity of data.)
Interface		Enhanced-IDE interface (as Primary Slave, Secondary Master or Slave)
Drive bay		5.25-inch half-height bay required
Power		+5V/+12V power socket required
Software Required OS		Windows 98/2000/ME/XP/Vista or later
CD-R, CD-RW discs		<b>CD-R</b> : LG, Ricoh, Mitsubishi Kagaku Media, Verbatim, Taiyo Yuden, Ritek, MBI, SKC discs are recommended. <b>CD-RW</b> : Ricoh, Mitsubishi Kagaku Media, Verbatim, Imation, Sony discs are recommended.

## Specifications

Items	CD/DVD/CD-RW
<b>General</b>	
<b>Host Interface</b>	E-IDE/ATAPI
<b>Supported Discs</b>	<b>Read Function:</b> CD-ROM, CD-ROM XA, Audio CD, Mixed Mode (Audio and Data Combined), CD-I FMV, Video CD, Photo CD (Single and Multi -Session), CD-Plus/CD-Extra, CD-Text <b>Write Function:</b> CD-ROM, CD-ROM XA, Audio CD, CD-I FMV, Video CD, CD-Plus/CD-Extra <b>DVD Single/Dual, DVD-R/RW, DVD+R/RW, DVD±R DL, DVD-RAM</b>
<b>Disc Diameter</b>	12cm/ 8cm, standard size CD's (8cm disc can be used only with drive placed horizontally.)
<b>Mounting direction</b>	Horizontal/Vertical
<b>Read/Write Speed</b>	<b>Write</b> : (CD-R, max 52X): 8X, 16X, 24X, 32X, 40X, 48X, 52X <b>Write</b> : (CD-RW, max 32X): 4X, 10X, 16X, 24X, 32X <b>Read</b> : (CD-ROM): max 52X, (DVD Single): max 16X (DVD Dual): max 12X

\* The drive's appearance and specifications may change without prior notice.

### Software

Install the appropriate CD Recording Authoring Software before using this unit.

\* Please uninstall any previous CD burning software you may have loaded on your PC in order to prevent possible compatibility issues. Once you have installed the application software, you may (if you wish) begin to reinstall previous software, taking note for errors.

Items	CD/DVD/CD-RW
<b>Performance</b>	
<b>Data transfer rate</b>	<b>*Sustained</b> <b>CD</b> : R: 3000 to 7200 KB/s (20X-48X CAV) RW: 2700 to 6000 KB/s (18X-40X CAV) ROM: 3300 to 7800 KB/s (22X-52X CAV) <b>DVD</b> : Dual: 7290 to 16200 KB/s (5.4X-12X CAV) Single: Data : 8700 to 21600 KB/s (6.5X-16X CAV) Movie: 3370 to 8100 KB/s (2.5X-6X CAV) -R/RW, +R/RW, +R/-R DL: 4450 to 10800KB/s (3.3X-8X CAV) DVD-RAM: 2700 to 6700KB/s (2.0X-5.0X)
<b>*Burst(ATAPI)</b>	16.67 MB/s (PIO Mode 4), 16.67 MB/s (Multi DMA Mode 2) 33.34 MB/s (Ultra DMA Mode 2)
<b>Average Access time(Random)</b>	CD-RW/CD-ROM: 100ms(Typical) DVD(Single Layer) : 120ms(Typical)
<b>Buffer capacity</b>	2 Mbytes (included 512KB programmed area)
<b>MTBF</b>	125000 Power On Hours (Duty Cycle 10%)
<b>Audio Output level</b>	0.72 Vrms +/- 10%
<b>Environmental Level</b>	
<b>When operating</b>	<b>Temperature:</b> 5 °C to 45 °C <b>Humidity:</b> 10% to 80% R.H.
<b>When not operating</b>	<b>Temperature:</b> -40 °C to 60 °C <b>Humidity:</b> 5% to 90% R.H.
<b>Electrical</b>	
<b>Power</b>	DC 5V, DC 12V

Please visit [www.lgservice.com](http://www.lgservice.com) and install the program, "LG ODD Online FW update." By using the program, you can automatically check the latest information about FirmWares and update the FirmWare.

Worldwide support ; <http://www.LGservice.com>  
Worldwide corporate site : <http://www.LGE.com>

## Safety Instructions

**CAUTION:** The laser used in the CD Rewriter/DVD-ROM drive can damage your eyes. Do not attempt to open the cover. To reduce the risk of electric shock, do not remove the cover (or back). There are no user-serviceable parts inside. Refer servicing to qualified service personnel. Use of controls or performance of procedures other than those specified herein may result in hazardous radiation exposure.

**WARNING:** To reduce the risk of fire or electric shock, do not expose this appliance to rain or moisture.

**VORSICHT:** Der in diesem CD Rewriter/DVD-ROM-Laufwerk benutzte Laser kann Ihre Augen schädigen. Versuchen Sie keinesfalls, die Abdeckung zu öffnen. Um die Gefahr eines elektrischen Schocks zu reduzieren, sollten Sie die Abdeckung (oder Rückseite) keinesfalls entfernen. Im Inneren des Geräts befinden sich keine Teile, die vom Benutzer selbst gewartet werden können. Überlassen Sie die Wartung qualifizierten Kundendiensttechnikern. Beachten Sie bei der Benutzung von Bedienelementen und der Durchführung von Prozeduren unbedingt die Anweisungen dieses Handbuchs, da andernfalls gefährliche Strahlung freigesetzt werden kann.

**WARNUNG:** Setzen Sie das Laufwerk keinesfalls Regen oder Feuchtigkeit aus, um die Gefahr eines Brandes oder elektrischen Schocks zu reduzieren.

**ATTENTION:** Le faisceau laser utilisé dans ce lecteur/graveur de CD Rewriter/DVD-ROM est dangereux pour les yeux. Ne pas tenter d'ouvrir le couvercle. Ne déposer ni la façade, ni le panneau arrière (risque d'électrocution). Aucun élément interne n'est réparable par l'utilisateur. L'utilisation de commandes ainsi que l'exécution de procédures autres que celles spécifiées dans le présent guide risque de provoquer une dangereuse exposition aux radiations.

**AVERTISSEMENT:** Ne pas exposer ce matériel à la pluie ou à l'humidité (risques d'incendie et d'électrocution).

**PERICOLO:** Il dispositivo di lettura e scrittura utilizzato in questo masterizzatore utilizza un raggio laser che, se osservato da vicino, può danneggiare la vista. Evitare di smontare il coperchio dell'apparecchio. Al fine di prevenire eventuali folgorazioni, evitare di smontare l'apparecchio. All'interno dell'apparecchio non sono presenti parti che richiedono manutenzione da parte dell'utente. In caso di difetti o guasti, rivolgersi ad un Centro di Assistenza Tecnica. L'esecuzione di procedure diverse da quella espressamente indicate in questo manuale può provocare pericolose esposizioni alle radiazioni laser.

**ATTENZIONE:** Al fine di evitare cortocircuiti o principi di incendio, evitare di esporre questo apparecchio alla pioggia o ad una eccessiva umidità ambientale.

**PRECAUCION:** El láser utilizado en la unidad CD Rewriter/DVD-ROM puede dañar sus ojos. No intente abrir la tapa. Para reducir el riesgo de descarga eléctrica, no quite la tapa (ni la parte posterior). No hay piezas internas que deba mantener el usuario. El servicio de mantenimiento debe efectuarlo personal técnico cualificado. El uso de controles o la ejecución de procedimientos distintos de los especificados en este manual pueden ser causa de exposición a radiación peligrosa.

**ADVERTENCIA:** Para reducir el riesgo de fuego o descarga eléctrica, no exponga este aparato a la lluvia ni a la humedad.

**CUIDADO:** O laser usado no drive CD Rewriter/DVD-ROM pode danificar seus olhos. Não tente levantar a tampa. Para reduzir o risco de choque elétrico, não retire a tampa ou a parte traseira. No seu interior, não há partes a serem manuseadas pelo usuário. Consertos ou manutenção devem ser feitos somente pelo Serviço Autorizado LG. O uso dos controles ou a execução de procedimentos diferentes que não sejam os especificados neste manual podem resultar em exposição perigosa à radiação.

**AVISO:** Para reduzir o risco de incêndio ou choque elétrico não exponha este aparelho à chuva ou humidade.

This product is manufactured to comply with the radio interference requirements of EEC DIRECTIVE 89/336/EEC, 93/68/EEC and 2006/95/EC.

Dieses Produkt erfüllt die Funkstörungsanforderungen folgender Normen: 89/336/EEC, 93/68/EEC und 2006/95/EC.

Ce produit a été fabriqué conformément aux prescriptions EEC DIRECTIVE 89/336/EEC, 93/68/EEC et 2006/95/EC.

Questo prodotto risponde alle direttive CEE 89/336, 93/68 e 2006/95/EC, relative alla compatibilità elettromagnetica.

Este producto ha sido fabricado cumpliendo los requisitos sobre interferencias de radio de la DIRECTIVAS CEE 89/336/CEE, 93/68/CEE y 2006/95/EC.

CLASS 1	LASER PRODUCT
KLASSE 1	LASER PRODUKT
LUOKAN 1	LASER LAITE
KLASS 1	LASER APPARAT
CLASE 1	PRODUCTO LÁSER
CLASSE 1	PRODOTTO LASER

**CAUTION:** CLASS 3B VISIBLE AND INVISIBLE LASER RADIATION WHEN OPEN. AVOID EXPOSURE TO THE BEAM.

**ADVARSEL:** KLASSE 3B SYNLIG OG USYNLIG LASERSTRÅLING VED ÅBNING. UNDGA UDSÆTTELSE FOR STRÅLING.

**ADVARSEL:** KLASSE 3B SYNLING OG USYNLIG LASERSTRÅLING NÅR DEKSEL ÅPENS. UNNGÅ EKSPONERING FOR STRÅLEN.

**WARNING:** KLASSE 3B SYNLING OCH OSYNLIG LASERSTRÅLNING NÅR DENNÄL DEL ÄR ÖPPNAD. STRÅLEN ÄR FARLIG.

**VARO!** KURSSI 3B NÄKYVÄ JA NÄKYMÄTÖN AVATTAESSA OLET ALTTIINA LASERSÄTEILYLLE. ÄLÄ KATSO SÄTEESEN.

The appliance is not intended for use by young children or infirm persons without supervision.

### Industry Canada requirement

This class B digital apparatus complies with Canadian ICES-003.

Cet appareil numérique de la classe B est conforme à la norme NMB-003 du Canada.

### FCC COMPLIANCE STATEMENT

**Note:** This equipment has been tested and found to comply with the limits for a Class B digital device, pursuant to Part 15 of the FCC Rules. These limits are designed to provide reasonable protection against harmful interference in a residential installation. This equipment generates, uses, and can radiate radio frequency energy and, if not installed and used in accordance with the instructions, may cause harmful interference to radio communications. However, there is no guarantee that interference will not occur in a particular installation. If this equipment does cause harmful interference to radio or television reception, which can be determined by turning the equipment off and on, the user is encouraged to try to correct the interference by one or more of the following measures:

- Reorient or relocate the receiving antenna.
- Increase the separation between the equipment and receiver.
- Connect the equipment into an outlet on a circuit different from that to which the receiver is connected.
- Consult the dealer or an Authorized Service Center for help.

- **FCC WARNING**  
Changes or modifications not expressly approved by the party responsible for compliance could void the user's authority to operate the equipment.
- This CD Rewriter/DVD-ROM Drive is for use only with UL listed personal computers that have installation instructions detailing user-installation of card cage accessory.

■ Microsoft® and Windows® are trademarks registered in the United States and other countries by the Microsoft Corporation.

■ The company names and product names written in this manual are trademarks or registered trademarks of the respective companies.