





# Use and Care manual

## Electric Dryer (Venting)

**TD-V70120E**

**TD-V70125E**

**TD-V700E**

Thank you for buying a LG Dryer.

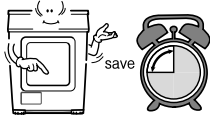
Please read your manual carefully, as it provides instruction on safe Installation, Use and Maintenance.

Record the Model and Serial Number, and retain the manual for future reference.

# F eatures



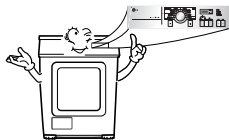
- **Ultra big Capacity Drum**  
LG Dryer has big capacity.



- **Reduced drying time**  
Drying time is shortened by efficient air flow mechanism and optimized heater.



- **Innovative noise performance**  
Noise gets reduced by optimized design of air flow system and vibration reduction technology.



- **Easy of Use**  
Wide LED display using electronic control.

## What are Sensor Dry and Time Dry?

Your dryer provides sensor drying and time drying programs.

**Sensor Dry** : Dryer senses electronically laundry humidity and it automatically determines operation time based on the dryness of the load and the selected program. At times, you can see sudden increase or decrease on operation time. It happens because a sensor will detect laundry humidity with a certain period. Sudden change on operation time is not a malfunction.

**Time Dry** : Time Dry is that you can set operation time manually to complete drying. Or use Time Dry to avenge drying performance if clothes are still damp after sensor dry cycle is finished. Time Dry is more effective for heavyweight and bulky items such as king-size bed sheets and thick work clothes.

# C ontents

Safety Instructions .....	3
Installation Instructions .....	5
Exhaust requirements and maintenance .....	10
Appearance & design .....	11
Operating your dryer .....	12
Additional Functions .....	15
Caring for your dryer .....	16
Additional Tips for smart use .....	19
Troubleshooting guide .....	21
Technical Data .....	25
Warranty .....	26

# Safety instructions

## IMPORTANT SAFETY INSTRUCTIONS

### **⚠ WARNING!**

**DO NOT connect exhaust ducts with metal screws or fasteners that extend into the duct.**

- 1) Read all instructions before using the appliance.
- 2) Do not dry articles that have come into contact with gasoline, dry-cleaning solvents, or other flammable or explosive substances, as they give off vapors that could ignite or explode.
- 3) Do not allow children to play on or in the appliance. Close supervision of children is necessary when using the appliance.
- 4) Before the appliance is removed from service or discarded, remove the door to the drying compartment.
- 5) Do not reach into the appliance if the drum is rotating.
- 6) Do not install or store this appliance where it will be exposed to the weather.
- 7) Do not tamper with controls.
- 8) Do not repair or replace any part of the appliance or attempt any servicing unless specifically recommended in the user-maintenance instructions.
- 9) Do not use heat to dry articles containing foam rubber or similarly textured rubber-like materials.
- 10) Clean lint screen before or after each load.
- 11) Keep area around the exhaust opening and adjacent surrounding areas free from the accumulation of lint, dust, and dirt.
- 12) The interior of the appliance and exhaust duct should be cleaned periodically by qualified service personnel.
- 13) Do not place items exposed to cooking oils in your dryer. Items contaminated with cooking oils may contribute to a chemical reaction that could cause a load to catch fire.
- 14) Do not use fabric softeners or products to eliminate static unless recommended by the manufacturer of the fabric softener or product.

## SAVE THESE INSTRUCTIONS

### GROUNDING INSTRUCTIONS

This appliance must be grounded. In the event of malfunction or breakdown, grounding will reduce the risk of electric shock by providing a path of least resistance for electric current. This appliance is equipped with a cord having an equipment-grounding conductor and a grounding plug. The plug must be plugged into an appropriate outlet that is properly installed and grounded in accordance with all local codes and ordinances.

**WARNING** - Improper connection of the equipment-grounding conductor can result in a risk of electric shock. Check with a qualified electrician or service person if you are in doubt as to whether the appliance is properly grounded.

Do not modify the plug provided with the appliance: if it will not fit the outlet, have a proper outlet installed by a qualified electrician.

This appliance must be connected to a grounded metal, permanent wiring system or an equipment-grounding conductor must be run with the circuit conductors and connected to the equipment-grounding terminal or lead on the appliance.

# Safety instructions

## ⚠ WARNING!

### WHAT TO DO IF YOU SMELL GAS:

- Do not try to light a match or cigarette, or turn on any gas or electrical appliance.
- Do not touch any electrical switches. Do not use any phone in your building.
- Clear the room, building or area of all occupants.
- Immediately call your gas supplier from a neighbor's phone. Follow the gas supplier's instructions carefully.
- If you cannot reach your gas supplier, call the fire department.

## ⚠ WARNING!

To reduce the risk of fire or explosion, electric shock, property damage, personal injury or death when using this appliance, please follow all instructions and information, including those in this manual and instructions and information provided by your gas supplier, including the following:

- Do not store or use any gasoline, dry-cleaning solvents any other flammable vapors or liquids in the area surrounding this appliance.
- Do not dry anything that has ever had anything flammable on it, even after washing.
- No washer can completely remove oil. Do not dry any articles that have ever had any kind of oil on them, including cooking oil.
- Articles containing foam, rubber, rubber-like materials, plastic or similar materials should be dried on a clothesline or by using an air cycle.
- Failure to follow these instructions can result in fire, death or serious injury.
- A qualified service person or company must perform installation and service of this appliance.

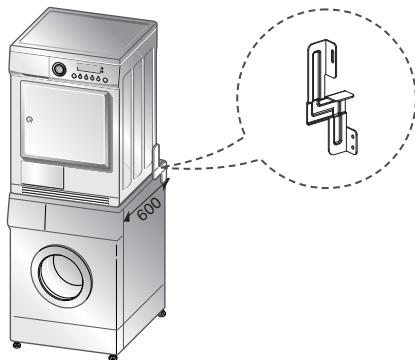
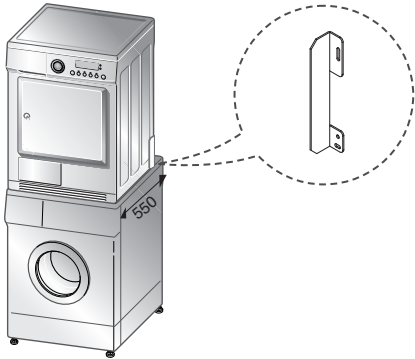
## ⚠ WARNING!

- Keep flammable materials and vapors, such as gasoline, away from dryer.
- Place dryer at least 18 inches above the floor for a garage installation.
- Failure to do so can result in death, explosion or fire.

# Installation Instructions


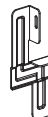
## Stacking Kit

In order to stack this dryer on a LG washing machine, LG stacking kit is needed.



## ⚠ WARNING!

Incorrect Installation can cause serious accidents.  
 The weight of the dryer and the height of installation makes the stacking procedure too risky for one person. This procedure should be performed by 2 or more experienced service personnel.

Washer top plate size		
	550 mm	600 mm
Shape		

- You must use stacking kit according to your washer Top plate size

In order to stack this dryer on LG Washing machine, you must purchase the LG stacking kit that is fitted by LG washing machine top plate size.

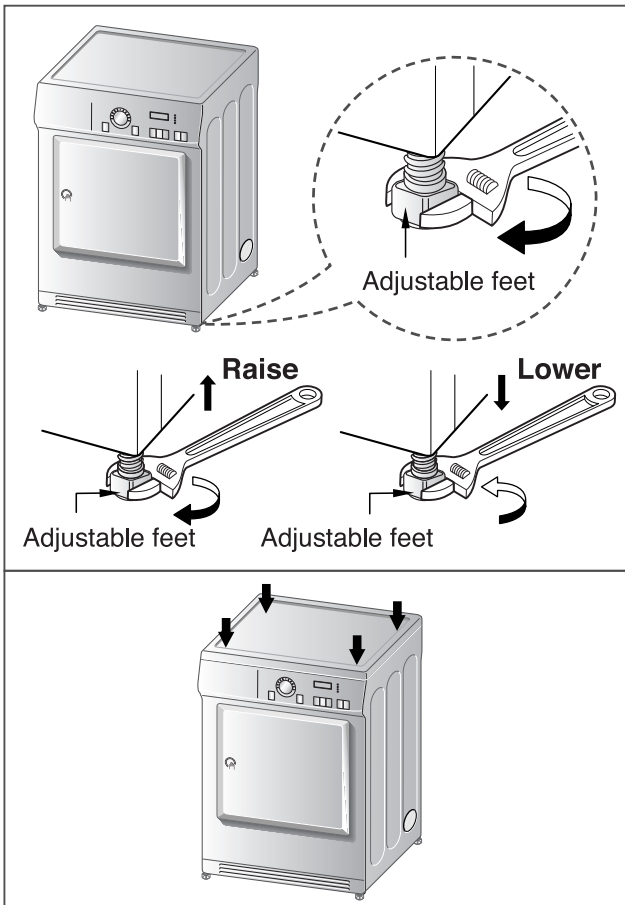
# Installation Instructions

## ● Level the dryer



1. Levelling the dryer is to prevent undesirable noise and vibration.

Place your dryer in a solid and level area where water is not dripping, freezing.



2. If the dryer is not properly level, adjust the levelling legs up and down as necessary.

Turn them clockwise to raise and counterclockwise to lower until the dryer is not wobbling both front-to-back and side-to-side.

### \*Diagonal Check

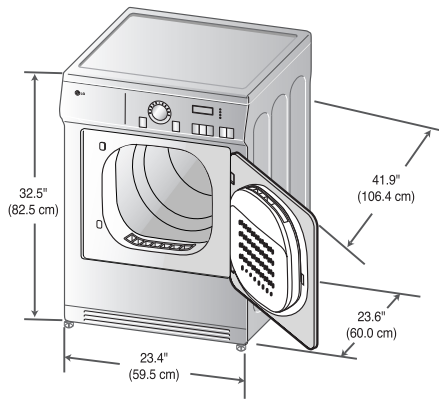
When pushing down the edges of the washing machine, the machine should not move up and down at all. (Please, check both of two directions) If machine rocks when pushing the machine top plate diagonally, adjust the feet again.

# Installation Instructions

The following instructions will help guide you through the initial steps of setting up your dryer for use. Please note that every section of this manual provides important information regarding the preparation and use of your dryer, and it is important that you review this entire manual before proceeding with any installation or use. More detailed instructions concerning electrical connections and exhaust requirements are provided at other parts of this manual.

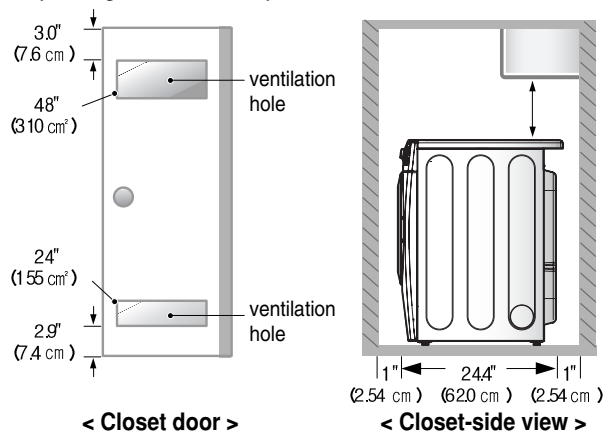
## STEP 1 Positioning the Dryer.

Choose a location with a solid floor for your dryer. Place the dryer at least eighteen inches above the floor for a garage installation. After placing the dryer in the desired location, please make sure that it has the required clearances shown below, and sections on Exhaust and Maintenance requirements.

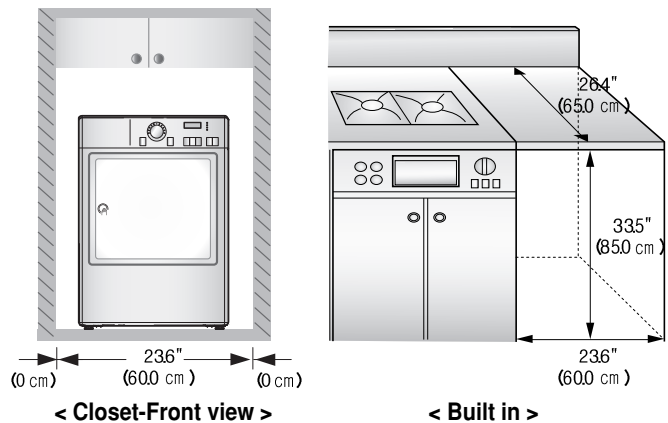


**Certain minimum clearances are required above, behind, and to the sides of the unit, as shown below.** Those required minimum clearances are set forth in the picture below. Please also keep the following instructions in mind when installing in a closet or recessed area:

- Consider allowing additional clearance for installation and servicing.
- Wall, door and floor molding may force additional clearances.
- An additional inch of clearance is recommended to minimize noise transfer .
- Consider space needed for companion appliances.
- For closet installations, the picture below shows the minimum required ventilation openings for the door. A louvered door with comparable ventilation openings is also acceptable.



**Note**  
 Leveling legs should be secured. All four legs are stably placed on the solid and even floor. If dryer is not level, laundry may not tumble properly and sensor will not detect the accurate humidity information. When adjusting leveling, please be cautious not to have serious injuries on your fingers and toes.





# Installation Instructions

## STEP 2 Connecting the Exhaust and Venting System.

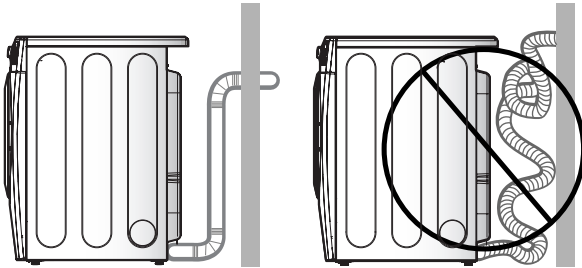
### ⚠ WARNING!

- Use a heavy metal vent.
- Do not use a plastic vent.
- Do not use a metal foil vent.
- Failure to follow these instructions can result in death or fire.
- Clean old ducts before installing this dryer.

### Note

Vent end will face to the outside home and improper taping and unstable installation of vent will cause undesirable drying performance.

In addition to the following warnings, please refer to manual section on Exhaust Requirements and Maintenance. **IMPORTANT:** To reduce the risk of fire, combustion, and gas accumulation, the dryer must be vented to the outdoors. Please follow the instructions (and all others in this manual) very carefully.



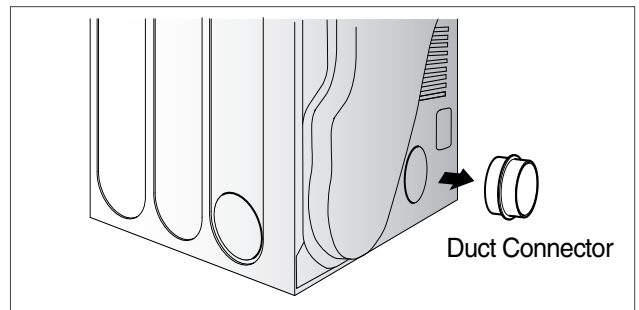
- Do not use thin plastic or foil ducting.
- Use 4" (10.2 cm) diameter rigid or flexible metal duct (note: venting materials are not supplied with the dryer, and you should obtain the venting materials necessary for proper installation)
- Position the Dryer such that the exhaust duct run is as short as possible.
- **Clean old ducts before installing this dryer**
- The male end of each section of exhaust duct must point away from the dryer
- Use as few elbow joints as possible.
- Use duct tape on all duct joints
- Insulate ductwork that runs through unheated areas in order to reduce condensation and lint

### Note

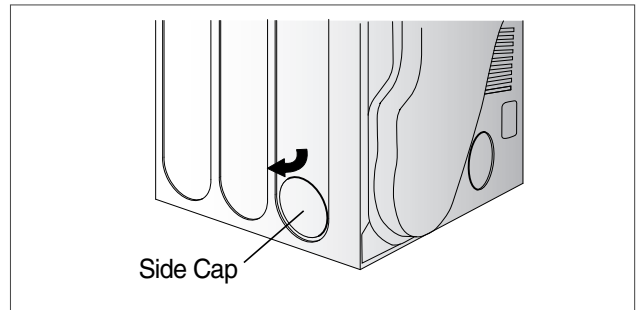
During transportation side cap can come out slightly. If that is so, push and fit it to the hole to prevent possible lint leakage.

To change duct direction following the belows.

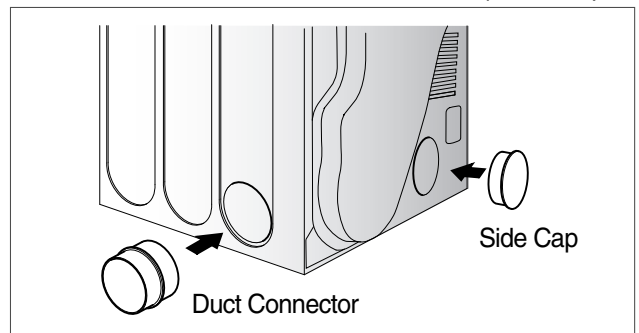
1. Remove Duct Connector.



2. Remove the right (or left) Side Cap by (-) driver.



3. Assemble the Duct Connector to the right hole (or left hole) and close the back hole by Side Cap.



- PLEASE BE AWARE THAT FAILURE TO EXHAUST THE DRYER CORRECTLY WILL VOID THE DRYER'S WARRANTY.

# Installation Instructions

## STEP 4 Electrical Plug Connections

Following are several warnings and instructions concerning making the electrical connection for electric dryers.

### ⚠ WARNING!

- Do not plug with several other appliances power cord.
- Do not grasp power cord or switch with wet hands.
- Do not use damaged power cord, plug and socket.

Use power supply (Socket) rated 230Volts 15 ampere.

## STEP 4 Preparation of the Dryer

Prior to the first use of this appliance, use all-purpose cleaning products or a solution of detergent and water, with damp clothes to remove from the inside of the dryer drum/drying compartment any dust or dirt that may have accumulated in the inside of the dryer. Plug-in your dryer after reviewing the following parts on your dryer's Electrical Requirements.

## STEP 5 Confirming Heat Source Operation

Close the door to the dryer drum/drying compartment and, after completing all steps in this manual for proper installation of this dryer, start the dryer on a heat setting, as described more fully in the operating instructions that accompany the dryer. The exhaust air or the exhaust pipe should be warm after the dryer has been operating for three minutes.

## STEP 6 Additional Instructions for Installation of Your Dryer in a Manufactured or Mobile Home

The following instructions are applicable to installations of the dryer in a manufactured or mobile home. If you are uncertain whether your proposed installation will comply with these standards, please contact a service and installation professional for assistance.

### ⚠ WARNING!

DO NOT connect exhaust ducts with metal screws or fasteners that extend into the duct.

The following instructions apply to any installation of the dryer in a manufactured or mobile home:

- 1) Electric dryers may be vented to the outside using the back left or right.
- 2) The dryer exhaust duct must be fixed securely to the manufactured or mobile home structure, and the exhaust duct must be made of a material that will resist fire and combustion, and it is recommended that you use a rigid or flexible metal pipe.
- 3) Make sure the dryer has adequate access to outside fresh air to ensure proper operation. The opening for outside fresh air must be at least 163 cm<sup>2</sup>.
- 4) It is important that the clearance of the duct from any combustible construction be at least 5cm, and, when venting the dryer to the outdoors, the dryer can be installed with a clearances of 1 inch at the sides and back of the dryer.
- 7) DO NOT connect the exhaust duct with any other duct, vent, chimney, or other exhaust duct.
- 8) Make sure the dryer has adequate access to outside fresh air to ensure proper operation. The opening for outside fresh air must be at least 25 in<sup>2</sup>(163 cm<sup>2</sup>).
- 9) Please be aware that venting materials are not supplied with the dryer. You should obtain the venting materials necessary for proper installation.

### ⚠ WARNING!

DO NOT vent the exhaust duct under the manufactured or mobile home.

# Exhaust requirements and maintenance

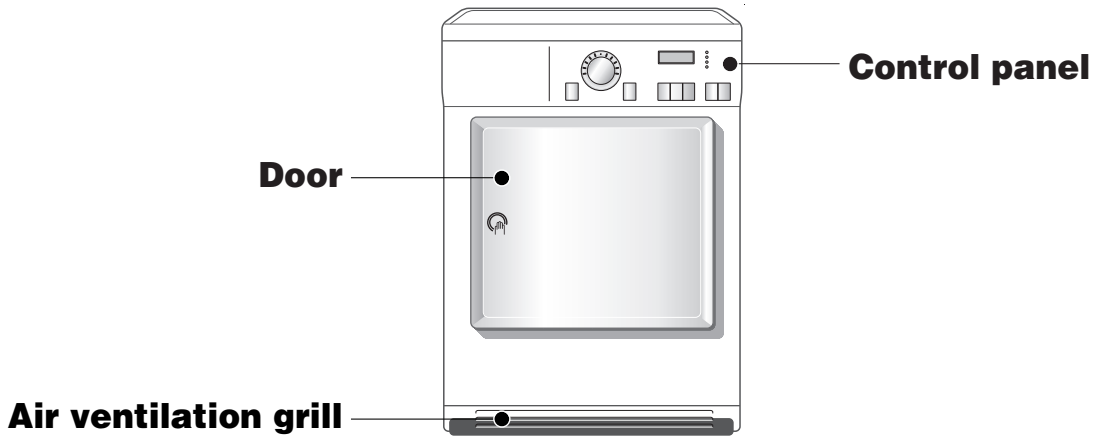
## Exhaust and Dryer Maintenance

### **⚠ WARNING!**

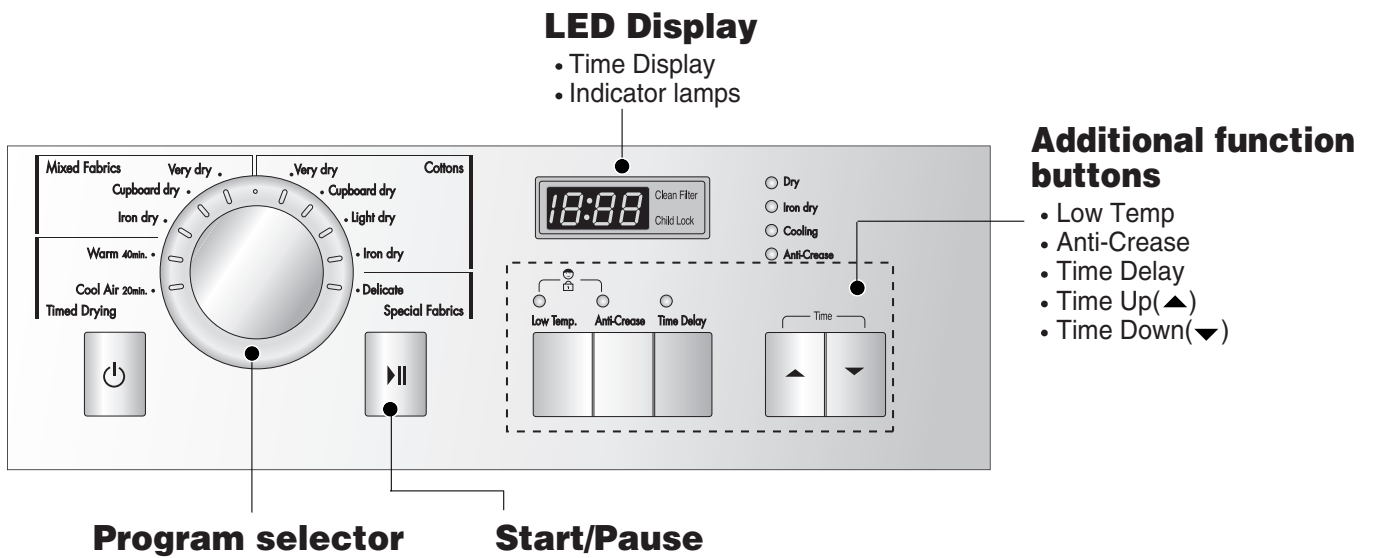
Disconnect the dryer's electric power prior to any cleaning or maintenance.

1. After one year of use, the interior and complete exhaust system of the dryer should be examined and cleaned if necessary.
2. Before one year of use, when drying performance has been suddenly unsatisfied in the past several cases, please examine and clean the exhaust duct for better drying performance.
3. Check the weather hoods frequently to ensure the dampers are moving freely, that the dampers are not pushed in and that nothing has been set against the dampers.
4. A qualified service person or company should be used to perform this maintenance.
5. A Flexible Metal Vent Kit, available at extra cost, can be used to exhaust the dryer when it is placed in hard to reach places. This Kit comes in two pieces, one of which is attached to the dryer and the other is attached to the wall exhaust outlet.
6. Following attachment of the two separate pieces to the dryer and the wall, the dryer may be returned to its final position, after which the two pieces themselves can be connected.
7. Ordinarily, the dryer drum will need no care. Wipe the exterior of the dryer as required, and always immediately wipe the exterior of the dryer in the event any detergent, bleach, or other washing products is spilled on the dryer, because these products may cause permanent damage to the exterior finish of the dryer.
8. Clean the control panel with a damp cloth as necessary. Warning: spray pre-wash products may damage the finish of the control panel.
9. Please clean the lint filter either before drying each load or after drying each load.
10. Always make sure the lint filter is clean before starting a new load, because a clogged lint filter may increase drying times.
11. Annually remove the lint filter and attach it to the vacuum duct.
12. Please note that the wiring diagram is provided inside the dryer Top Plate. Label all wires prior to disconnection when servicing the dryer, because wiring errors can cause serious injury to you and your dryer.

# A ppearance & design



## ● Control Panel



# Operating your dryer

## ● Cycle Selection Table

<b>Electronic Auto Dry Cycles</b>		Standard Program
<b>Mixed-Fabric cycles</b> (Note) Press the "Low Temp." button for heat-sensitive items		
Bed linen and table linen, tracksuits, anorak, blankets	For thick and quilted fabrics which do not need to be ironed.	Very Dry
shirts, blouses and sportswear	For fabrics which do not need to be ironed.	Cupboard dry
Trousers, dressers, skirts, blouses	For fabrics which do need to be ironed.	Iron Dry
<b>Cotton (Whites and coloreds)</b> (Note) press the "Low Temp." button for heat-sensitive items		
Terry towelling, tea towels, towel, bed linen	For thick and quilted fabrics which do not need to be ironed.	Very Dry
Bath towels, tea towels, underwear, cotton socks	For fabrics which do not need to be ironed.	Cupboard dry
T-shirts, trousers, underwear, work clothes	For fabrics which do need to be ironed lightly, not completely.	Light Dry
Bed linen, table linen, towels, T-shirts Polo shirts and work clothes	For fabrics which do need to be ironed.	Iron Dry
<b>Time Cycles for selected length of time</b>		
Bath towels, bath robes, dishclothes, Quilted fabrics made of acrylic	Small clothes & pre-dried laundry Normal fabrics using hot temperature 40minutes	Warm (40min.)
All fabrics needing freshing, tumbles without heat		Cool Air (20min.)
<b>Special Fabrics</b>		
Silk, Women's thin clothes, lingerie	For fabrics which are heat-sensitive like synthetic fabrics.	Delicate

# Operating your dryer

## ● Before first use of the dryer

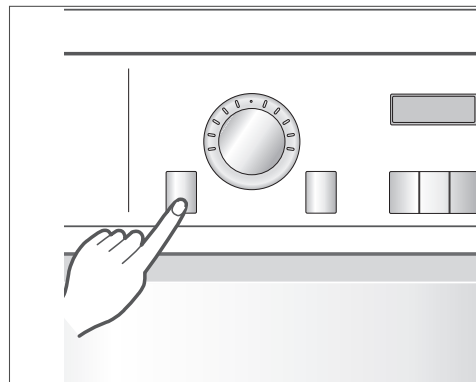
※ Before you use the dryer for the first time, there are some points that you have to check.

After removing package, you will check the product has no problem and is properly installed.

1. Check the dryer is well balanced by using a leveller. In order to check this, you can see and adjust legs which are supposed to stay put.
2. Check some major parts such as door control panel and drum.
3. It is needed to operate 5 minutes drying to make sure drum inside gets warm.
4. In the early use of dryer, please leave it with door opened and power unplugged after operation to get rid of probable smell inside.

### 1. Turn power on.

First, press the "Power" button. The indicator light above the button will become illuminated indicating that the machine is all set to run.



Turn on.

### 2. Open the door.

### 3. Check the lint filter.

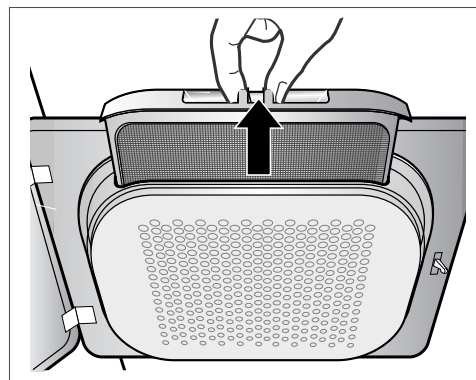
The lint filter near the door, should be emptied after or before drying operation. Open the door and check if lint filter is cleaned. If not, please clean it.



Open the Door.

### 4. Place laundry into the drum after sorting.

The clothes should be sorted by its fabric type and dryness level and all the strings and belts of clothes should be well tied and fixed before being put into the drum. It is desired that you push laundry all the way back to keep it away from the door seal. If not, door seal and clothes may be damaged.



Clean the lint filter.

## Note

Be careful not to put buttons, small laundry and any kind of small stuffs into the holes below the door

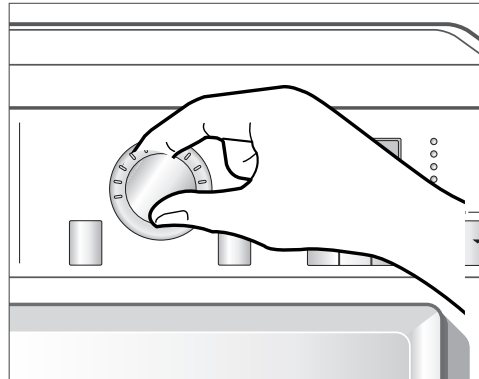
# Operating your dryer

## 5. Close the Door.

Before you close the door, make sure fabrics are well placed inside and that foreign objects, especially flammable ones, are not caught around door.

## 6. Select the Drying Cycle you want.

You can choose a cycle by turning the program control knob until the required program reaches to its indicator. If you only press Start/Pause button without choosing any cycle, the dryer will proceed with the Standard program. [Please refer to following Cycle Selection table (page 13) for the detailed information



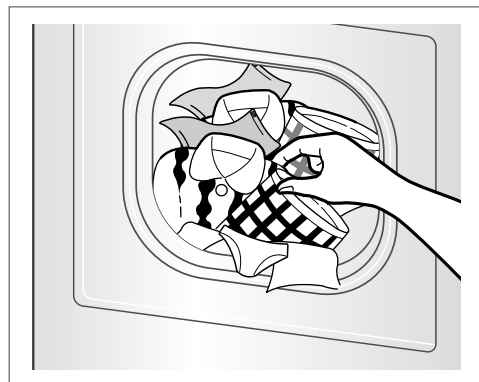
Select the desired cycle.

## 7. Press the Start button.

You can hear drum rotating.

## 8. After operation is completed, open the door and remove the laundry.

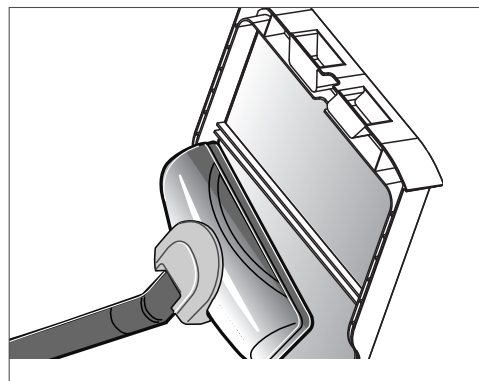
Careful! the drum inside could be still hot. (Operation time varies depending on your cycle selection or options.)



Take out the laundry.

## 9. Clean the Lint Filters.

The lint filter should be cleaned after each load.



Clean the door lint filter.

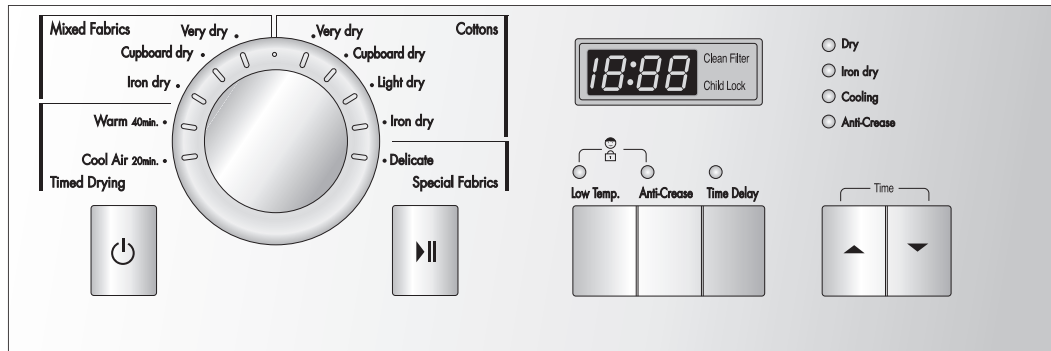
## 10. Turn off the Dryer.

Press the "Power" button.

### Note

- Be careful of the fact that filter should not be torn when using a vacuum cleaner. If there is a little residue buildup on filter, you can scrub lint screen with the brush to remove.
- If you want to open the door while dryer is operating, please press the Start/Pause button first, wait until drum completely stops and then open the door.

# Additional Functions



## ● Low Temp.

Low temp is functioning to decrease dry temperature.

## ● Anti-Crease

Anti-Crease is functioning to prevent creases and rumples that are formed when the laundry is not unloaded promptly at the end of drying cycle. In this function, the dryer repeatedly runs and pauses to the cycle end.

If the door is open during Anti-Crease process, this function is cancelled. But in case of door open during normal operation without selecting Anti-Crease, this function will be remembered and processed.

## ● Time Delay

You can use the Time Delay function to delay the finishing time of drying cycle.

Maximum Time Delay is 19 hours.

1. Turn the dryer on
2. Select cycle
3. Set time delay hour
4. Press Start/Pause button

## ● Child Lock

For the safety of your children, press Low Temp. and Anti-crease buttons at the same time for about 3 seconds. You can check this function by seeing the dryer display "CL" on LED window.



# Caring for your dryer

## How important Care and cleaning is~

It's not very difficult to care for your dryer. All you have to do is to follow the information below.

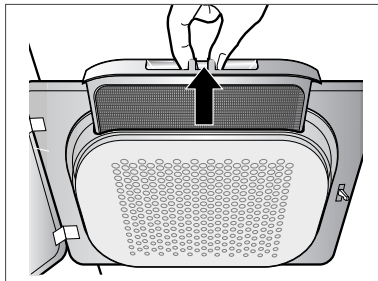
### **Clean Lint Filter**

Clean lint filter after each use and check it before each use. It should also be cleaned if the "Clean Filter" light becomes illuminated and the buzzer sounds during operation of the dryer:

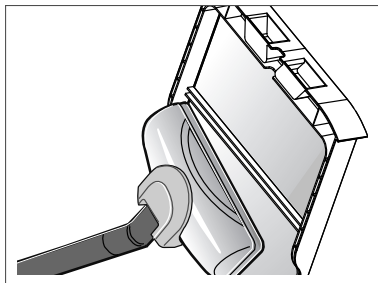
Cleaning or emptying the filter will reduce drying times and energy consumption and lengthen the dryer life.

1. Open the door.

2. Pull the filter out.

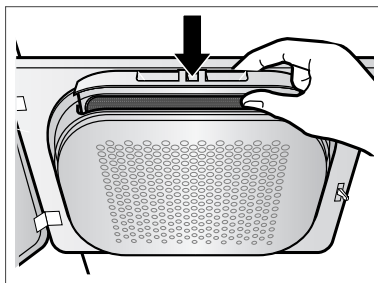


3. Clean the filter by using a vacuum cleaner or rinsing under the tap.



4. Insert the filter.

- Push the filter all the way down to avoid interference with the door.



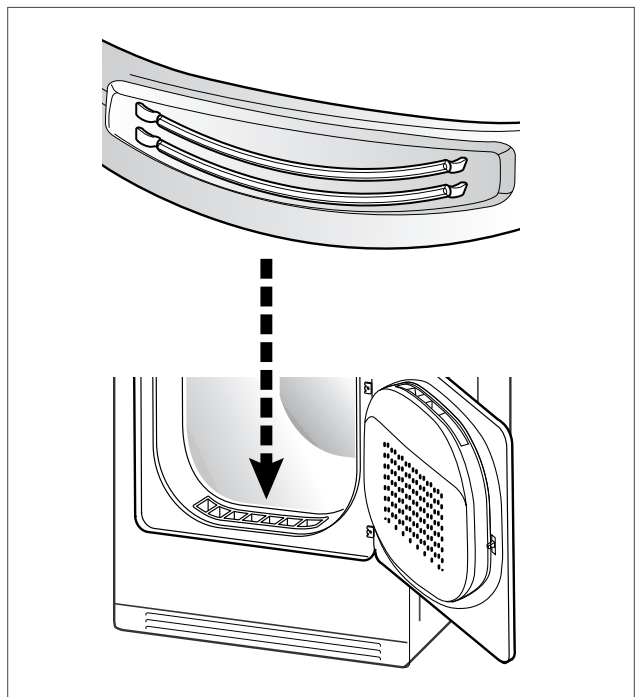
5. Close the door.

### **Clean filter**

This lamp blinks at the start of each use just to remind you to clean filter.

### **Moisture Sensor**

This device functions to sense the moisture remaining contents of the laundry during operation which means it must be cleaned all the time. The main reason of cleaning this part is to remove the build-up of lime scale on the surface of sensor. Wipe the sensors inside drum (Shown in the picture).



### **Note**

In the case you wash the lint screen using water, remove the water in the screen thoroughly.

# Caring for your dryer

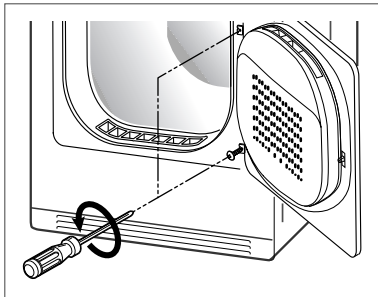
## Reverse the door

The door can be reversed to fit to your own installation conditions. From the factory, the door hinge is located on the right side.

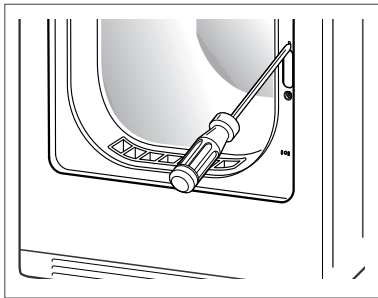
### Note

1. This work may cause the injury of your hands so you must be careful to handle some sharp devices like tork screwdriver or slotted screwdriver.
2. When the door is reversed, the hand sticker on the door also must be replaced. Do not use a machine screwdriver.

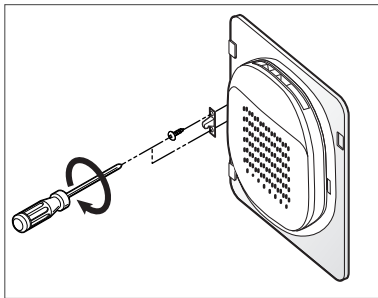
1. Unscrew the bottom hinge of the door first and top hinge. And then place on the blanket to prevent scratches.



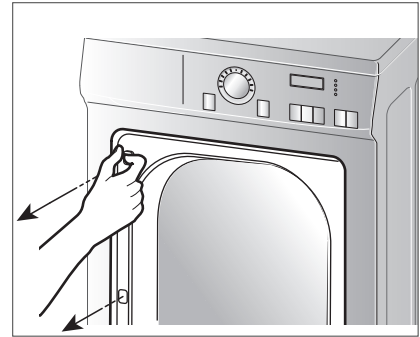
2. Remove the door lock cover.



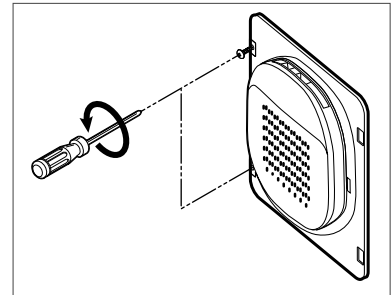
3. Remove the door lock and replace where door lock cover is located.



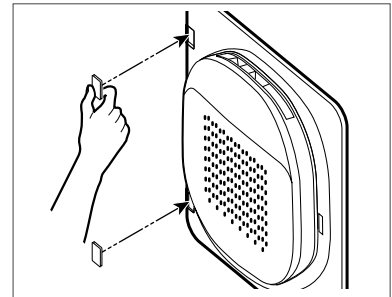
4. Detach both hinge point covers.



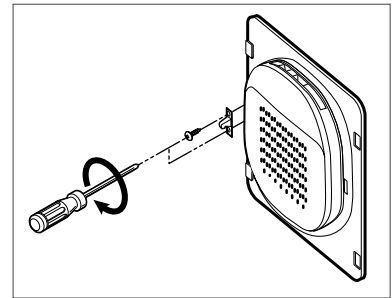
5. Unscrew two door hinges.



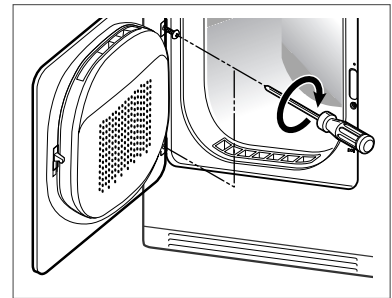
6. Replace both hinge point covers where door hinge is located.



7. Replace the door catch to the reverse location.



8. Screw the door hinges.



# Caring for your dryer

## Change the Bulb

The bulb itself could be very hot when the dryer just finishes its operation. So before changing the bulb, be sure that the inside of the drum is cool down.

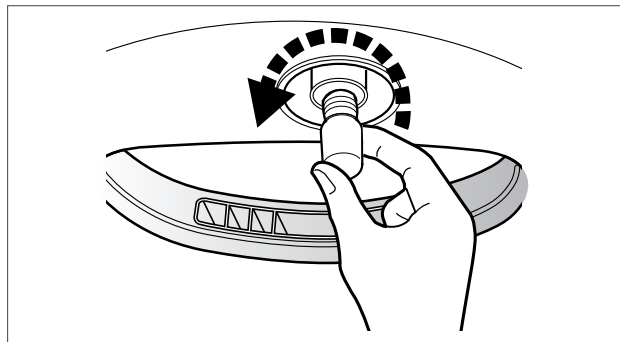
### ⚠ WARNING!

Power cord must be unplugged before this work to avoid danger of electric shock.

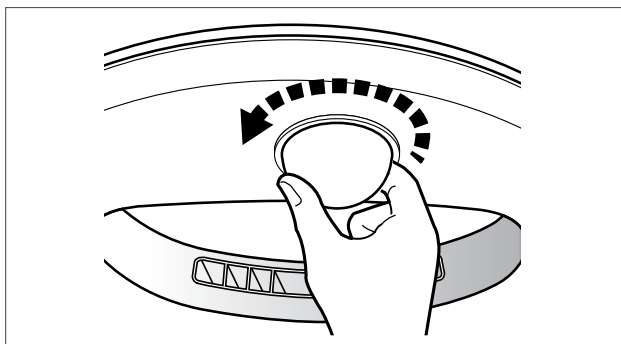
1. Open the door, put a hand into the drum and grasp a bulb cover.



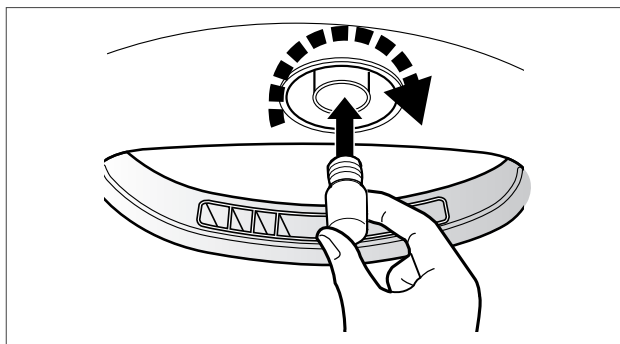
4. Remove the current bulb turning it to Counter clockwise direction.  
Be careful that it does not fall off.



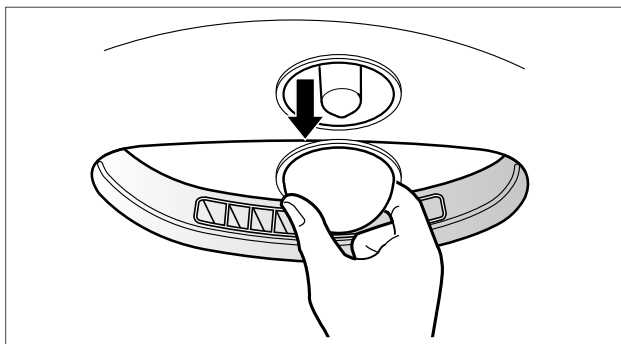
2. With bulb held by a hand, turn the bulb to the clockwise direction with a certain amount of force.



5. Screw in the new bulb in the reverse unscrewing direction.



3. Separate bulb cover from the socket housing.



### Note

Do not need any special tool for this work.  
All steps can be done manually.

# A dditional Tips for smart use

## ● Drying Guide

Capacity for laundry type

Cotton	7 kg
Mixed	3.5 kg
Delicate	1.5 kg

### Woven and loopknit materials

Some woven and loopknit materials may shrink, depending on its quality.

### Permanent Press and Synthetics

Do not overload your dryer.

Take out permanent press article as soon as the dryer stops to reduce wrinkles.

### Baby clothes and Night gowns

Always check the manufacturer's instructions.

### Rubber and Plastics

Do not dry any items made from or containing rubber or plastics such as:

- a) Aprons, bibs and chair covers
- b) Curtains and table clothes
- c) Bathmats

### Fiber glass

Do not dry fiberglass articles in your dryer.














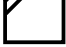
Glass particles left in the dryer could be picked up by your clothes the next time you use the dryer and irritate your skin.

### Fabric Care Labels

Clothes have its own wash care labels so drying according to wash care labels is recommended. Not only that, the laundry must be sorted according to size and fabric type.

Do not overload in order to save you energy, time and best dry performance.

*Below are fabric care labels.*

Symbols	Instructions
	Dry
	Tumble dry
	Permanent Press / Wrinkle resistant
	Gentle / Delicate
	Do not tumble dry
	Do not dry
	High heating
	Medium heating
	Low heating
	No heat / air
	Line Dry / hang to dry
	Drip dry
	Dry flat
	In the shade

# Additional Tips for smart use

## ● Spare Parts

Spare parts in your need are provided under the terms of warranty. Components covered by warranty is provided free of charge. If coverage is expired, spare parts must be purchased from LG service center.

## ● Disposal of the dryer

It is desirable for you to dispose the dryer safely to keep your children away from the possible injury.

The door and other protruded items must be taken away and power cord must be cut off to avoid future use. After that, the dryer is to be disposed safely.

## ● Service contact

If there is something wrong with your dryer, first you must be through the troubleshooting guide. In case that you can't find the same trouble and you can not handle by yourself, please contact the service centre.

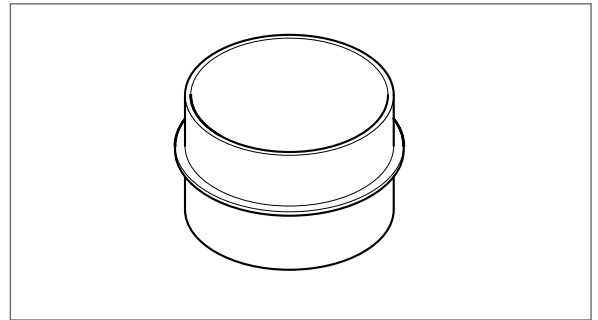
A service person will ask you some questions like followings:

1. Your name, address and postcode.
2. Your phone number.
3. Description of trouble.
4. The model No. and the serial No. of your dryer.
5. The date of purchase.

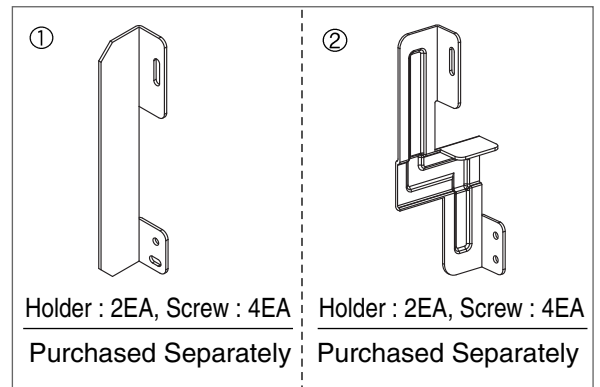
## ● Accessory parts

Your dryer comes with accessories such as

### 1. Duct Connector



## ● Stacking Kit



### ● Stacking kit Use condition

- fig ① : Washer top plate size 550
- fig ② : Washer top plate size 600

**If stacking is needed, you must stack the dryer upon LG washing machine. In order to do this, stacking kit must be purchased separately.**

# Troubleshooting guide

## Troubleshooting Tips

Save time and money! Review the charts on the following pages first and you may not need to call for service.

### 1. Problem : My Dryer Won 't Start

Question	What to Do
• Is the dryer plugged in?	Confirm that the dryer's plug is securely and completely pushed into the power outlet
• Is the fuse blown, or is the circuit breaker tripped?	Check your home's or laundry room's fuse box/circuit breaker box and replace the fuse or reset the circuit breaker.

### 2. Problem : My Dryer Doesn 't Heat

Question	What to Do
• Is the fuse blown, or is the circuit breaker tripped?	If the fuse is blown or the circuit breaker tripped, the dryer might tumble but not heat. Check your home's or laundry room's fuse box / circuit breaker box and replace the fuse or reset the circuit breaker.

### 3. Problem : There are Greasy Spots on My Clothes

Question	What to Do
• Did you follow the instructions on your fabric softener product?	Confirm and follow the instructions provided with your fabric softener product.
• Are you drying clean and dirty clothes together?	Make sure to use your dryer to dry only clean items, because dirty items can soil clean clothes placed in the same load or later placed in the dryer drum.
• Were your clothes entirely clean?	Stains on dried clothes are actually stains that weren't cleansed during the washing process. Please review and confirm that you are following your washing instructions and that the clothes are being completely cleaned.

# Troubleshooting guide

## 4.Problem : There is Lint on my Clothes

Question	What to Do
<ul style="list-style-type: none"> <li>• Is your lint filter full?</li> </ul>	Please refer to the manual section on cleaning the lint filter, and please confirm that the lint filter is clean. It is important that the lint filter is clean before each new load of laundry.
<ul style="list-style-type: none"> <li>• Did you properly sort your load of laundry?</li> </ul>	In order to reduce the amount of lint in a load of laundry, sort lint producers (like a fuzzy white cotton towel) separately from clothes that might catch lint (such as a pair of black linen pants).
<ul style="list-style-type: none"> <li>• Do your clothes have excess static electricity?</li> </ul>	See comments below under "There is static in my clothes after drying."
<ul style="list-style-type: none"> <li>• Did you overload your dryer?</li> </ul>	Divide your larger load into smaller loads.
<ul style="list-style-type: none"> <li>• Did you place any paper, tissue, or other similar material in the load?</li> </ul>	Sometimes a person might forget to take a piece of paper or a tissue out of the pocket of a pair of pants, and this paper, tissue, or similar material can cause excess lint in a load of laundry. Confirm that the pockets of pants, shirts, and other articles of clothing are empty before washing and drying.

## 5.Problem : There is static in my clothes after drying

Question	What to Do
<ul style="list-style-type: none"> <li>• Did you use fabric softener?</li> </ul>	Try using a fabric softener to reduce static electricity.
<ul style="list-style-type: none"> <li>• Did you over dry the load of laundry?</li> </ul>	Over-drying a load of laundry can cause a build up of static electricity. Try using a fabric softener or adjust your settings and use a shorter drying time.
<ul style="list-style-type: none"> <li>• Are you drying synthetic, permanent press and blends?</li> </ul>	These materials can cause static to build up in a load of dried clothes. Try using a fabric softener.

## 6.Problem : The drying time is not consistent

Question	What to Do
<ul style="list-style-type: none"> <li>• Are you using consistent heat settings and consistent load sizes?</li> </ul>	The drying time for a load will vary depending on the heat setting, the size of the load, the type of fabrics, the wetness of the clothes and the condition of the exhaust ducts and lint filter.

# Troubleshooting guide

## 7.Problem : It takes too long for my clothes to dry

Question	What to Do
• Did you properly sort your loads of laundry?	Separate heavy weight items from light weight items when creating loads.
• Are you drying large loads of heavy fabrics?	Heavy fabrics take longer to dry because they tend to retain more moisture. To help reduce and maintain more consistent drying times for large and heavy fabrics, separate these items into smaller loads of a consistent size.
• Are the dryer controls properly set?	Use the appropriate control settings for the type of load you are drying.
• Is the lint filter clean before each new load of laundry?	Please confirm that the lint filter is clean prior to each new load of laundry.
• Are the exhaust ducts clear and properly configured?	Confirm through review of the appropriate sections of this manual that the exhaust venting ductwork is properly configured. Confirm that the venting is free of obstructions. Confirm that the outside wall dampers are moving freely, that the dampers are not pushed in, and that nothing has been set against the dampers.
• Is the fuse blown, or is the circuit breaker tripped?	Check your home's or laundry room's fuse box/circuit breaker box and replace the fuse or reset the circuit breaker.
• Did you overload your dryer?	Divide your larger load into a number of smaller loads.
• Did you under load your dryer?	If you are only drying a handful of items, add a few extra pieces to help ensure proper tumbling action.

## 8.Problem : My clothes are wrinkled

Question	What to Do
• Are you over drying your laundry?	Over drying a load of laundry can lead to wrinkled clothes. Try a shorter drying time, and remove items while they still retain a slight amount of moisture.
• Are you removing your laundry from the dryer soon after the drying cycle is complete?	Remove your laundry from the dryer after the drying cycle ends and either hang or fold the items.

## 9.Problem : My clothes are shrinking

Question	What to Do
• Are you following the care instructions for your garment?	To avoid shrinkage, please carefully follow the care and use instructions for your garment, because some fabrics will naturally shrink when washed. Other fabrics can be washed but will shrink when dried in a dryer.



# Troubleshooting guide

---

## ● Error Mode

- $dE$  : LED displays "  $dE$  " in case of the door open. The door must be closed and start Button must be pressed for re-operation.

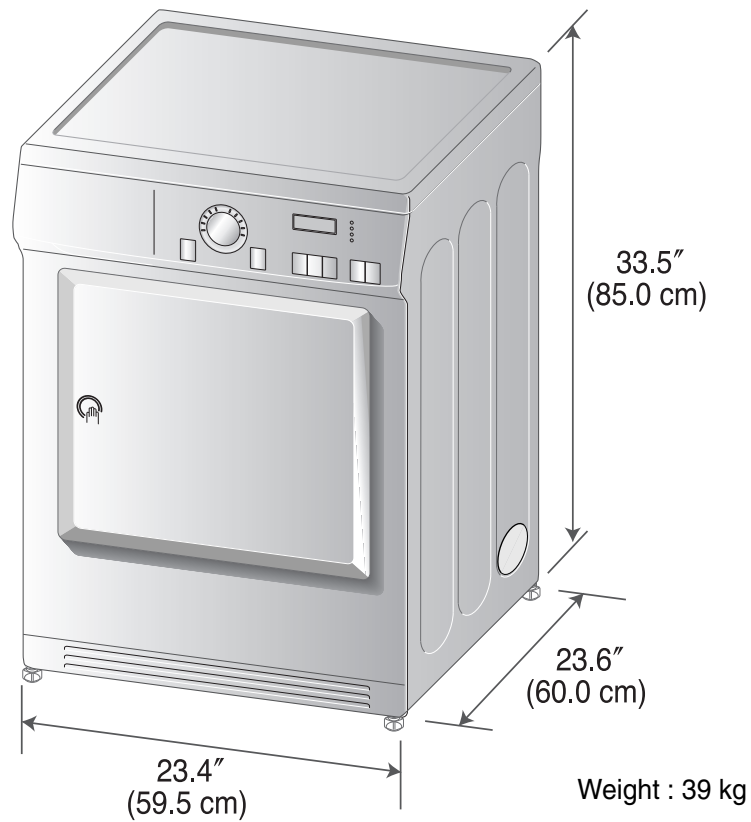
High temperature and high humidity of air continues to remain in the contained dryer by drying object during drying if the dryer suddenly stops due to power failure or other different causes while drying is in progress.

Leaving the dryer continuously in such status may reduce durability of the dryer or have a bad effect on major electrical parts.

Open the door so that high temperature and high humidity of air discharges outside if the dryer will stop for a long time while drying is in progress.

- $EE$  : If "  $EE$  " error occurred, unplug the power cords and then call to the service center.

# T echnical Data



## ● Electrical Requirements

	Volts	Hertz	Watts
	220 ~ 240 V	50 Hz	2900
Australia New Zealand	240 V	50 Hz	2250

You are sure to check the rating plate on the dryer to make sure the dryer has right rating.

	Alcove or Under Counter	Closet
Sides	0 mm	0 mm
Top	0 mm	250 mm
Rear	25 mm	125 mm

## ● Ventilation Requirement

Alcove or undercounter	Closet
Ensure air flow of 112 cu.ft./min through dryer	Closet door must have 2(louvered) openings, each having a minimum area of 60 sq. inches (387 sq.cm), located 3 inches (8 cm) from bottom and top of door.

# Warranty

---

## ■ What is not covered.

Service trips to your home to instruct you on the product.

If the product is connected to any voltage other than that shown on the rating plate.

If the fault is caused by accidents, neglects, misuses or Acts of God.

If the fault is caused by reasons except for normal domestic use or use in accordance with the owner's manual.

If the fault is caused by pests, for example, rats or cockroaches etc..

Noise or vibration that is considered normal, for example, water drain sound, spin sound or warning beeps.

Correcting the installation for example, leveling the product, normal maintenance recommended by the owner's manual.

Removal of foreign objects/substances from the machine including the pump the filter, for example, grit, nails, bra wires and buttons etc..

Correction of unauthorized repairs.

Incidental or consequential damage to personal property caused by possible defects with this appliance.

If this product is used for commercial purposes, it is not warranted.

(Example: Public places such as public bathroom, lodging house, training center, dormitory)

If the product is installed outside the normal service area, any cost of transportation involved in the repair of the products, or the replacement of a defective part, shall be borne by the owner.

# **M**EMO

---

MEMO