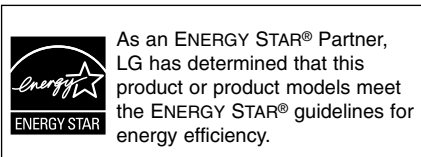




## FA164U (FA164-D0U, FAS164F)



ENERGY STAR® is a U.S. registered mark.



P/NO : MFL63266211

ENGLISH
DEUTSCH
FRANÇAIS
NEDERLANDS
SLOVENŠČINA
ITALIANO
ESPAÑOL
ΕΛΛΗΝΙΚΑ
PORTUGUÊS

## Safety Precaution



**CAUTION :** TO REDUCE THE RISK OF ELECTRIC SHOCK DO NOT REMOVE COVER (OR BACK) NO USER-SERVICEABLE PARTS INSIDE REFER SERVICING TO QUALIFIED SERVICE PERSONNEL.



This lightning flash with arrowhead symbol within an equilateral triangle is intended to alert the user to the presence of uninsulated dangerous voltage within the product's enclosure that may be of sufficient magnitude to constitute a risk of electric shock to persons.



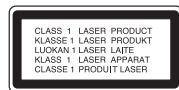
The exclamation point within an equilateral triangle is intended to alert the user to the presence of important operating and maintenance (servicing) instructions in the literature accompanying the product.

**WARNING :** TO PREVENT FIRE OR ELECTRIC SHOCK HAZARD, DO NOT EXPOSE THIS PRODUCT TO RAIN OR MOISTURE.

**WARNING :** Do not install this equipment in a confined space such as a book case or similar unit.

**CAUTION :** This product employs a Laser System. To ensure proper use of this product, please read this owner's manual carefully and retain it for future reference. Shall the unit require maintenance, contact an authorized service center.

Use of controls, adjustments or the performance of procedures other than those specified herein may result in hazardous radiation exposure. To prevent direct exposure to laser beam, do not try to open the enclosure. Visible laser radiation when open. DO NOT STARE INTO BEAM.



**CAUTION :** The apparatus shall not be exposed to water (dripping or splashing) and no objects filled with liquids, such as vases, shall be placed on the apparatus.

### CAUTION concerning the Power Cord

**Most appliances recommend they be placed upon a dedicated circuit ;**

That is, a single outlet circuit which powers only that appliance and has no additional outlets or branch circuits. Check the specification page of this owner's manual to be certain.

2

Do not overload wall outlets. Overloaded wall outlets, loose or damaged wall outlets, extension cords, frayed power cords, or damaged or cracked wire insulation are dangerous. Any of these conditions could result in electric shock or fire. Periodically examine the cord of your appliance, and if its appearance indicates damage or deterioration, unplug it, discontinue use of the appliance, and have the cord replaced with an exact replacement part by an authorized service center.

Protect the power cord from physical or mechanical abuse, such as being twisted, kinked, pinched, closed in a door, or walked upon. Pay particular attention to plugs, wall outlets, and the point where the cord exits the appliance.

To disconnect power from the mains, pull out the mains cord plug. When installing the product, ensure that the plug is easily accessible.

This device is equipped with a portable battery or accumulator.

**Safe way to remove the battery or the battery from the equipment:** Remove the old battery or battery pack, follow the steps in reverse order than the assembly. To prevent contamination of the environment and bring on possible threat to human and animal health, the old battery or the battery put it in the appropriate container at designated collection points. Do not dispose of batteries or battery together with other waste. It is recommended that you use local, free reimbursement systems batteries and accumulators.

The battery shall not be exposed to excessive heat such as sunshine, fire or the like.



### Disposal of your old appliance

1. When this crossed-out wheeled bin symbol is attached to a product it means the product is covered by the European Directive 2002/96/EC.
2. All electrical and electronic products should be disposed of separately from the municipal waste stream via designated collection facilities appointed by the government or the local authorities.
3. The correct disposal of your old appliance will help prevent potential negative consequences for the environment and human health.
4. For more detailed information about disposal of your old appliance, please contact your city office, waste disposal service or the shop where you purchased the product.



This product is manufactured to comply with EMC Directive 2004/108/EC and Low Voltage Directive 2006/95/EC.

### European representative :

LG Electronics Service Europe B.V.  
Veluwezoom 15, 1327 AE Almere, The Netherlands  
(Tel : +31-036-547-8940)

**ENGLISH**

## Contents

Setting up	4
Main Unit	5
Remote control	6
Listening to CDs	7
Listening to the radio	8
Listening to music from your portable player	8
Using an USB device	9
Setting the Clock	9
Recording to USB	10
Troubleshooting	11
Specifications	11

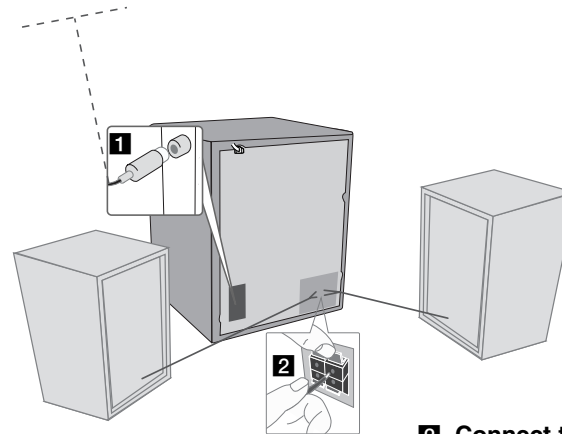
### Precautions in using the touch buttons

- Use the touch buttons with clean and dry hands.
  - In a humid environment, wipe out any moisture on the touch buttons before using.
- Do not press the touch buttons hard to make it work.
  - If you apply too much strength, it can damage the sensor of the touch buttons.
- Touch the button that you want to work in order to operate the function correctly.
- Be careful not to have any conductive material such as metallic object on the touch buttons, and it can cause malfunctions.

## Setting up

### **1** Connect the FM aerial

The reception will be at its best when the two loose ends of the aerial are in a straight line and horizontal.



### **2** Connect the speaker cables to the player

Cables from the left-hand speaker connect to the terminal marked L (left) + (plus) and - (minus). Cables from the right-hand speaker are connected to the terminal marked R (right) + (plus) and - (minus).

To connect the cable to the player, press each of the four square plastic finger pads on the rear of the player. The connector will open ready to receive a cable.

### **3** Plug the power plug into a wall socket

## Main Unit

### TOP

**FUNC.**

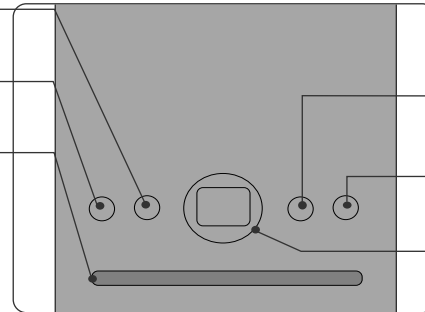
(Function) Selects the function.

**⏻/⏻ (Power)**

Turn the unit on and off.

**Disc Slot**

- Do not push a disc forcibly into the CD slot.
- Do not pull or push a disc while a disc is ejected.
- Press ▲ again to reinsert the disc after ejecting it.
- **pick it to the CD slot with the label side toward**



**USB REC.**  
Recording to USB.

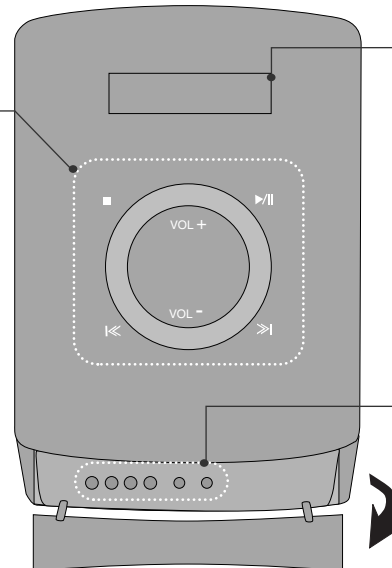
Ejects or insert the disc from slot loader. ▲

**USB Port**

### FRONT

■

- Stop  
**⏮ / ⏭**  
 Scanning/ Tuning/ Searching  
**▶/⏻**  
 Play/ Pause  
**VOL +/-**  
 Volume control



**Display Window**

**EQ/ DEMO**  
 You can choose fixed sound impression.  
 Press **DEMO** in power off state to demonstrate the function on display window.

**CLOCK**  
 (See "Setting the Clock")

**TIMER**  
 (See the "Using your player as an alarm clock")

**SET/ RDS** (optional)  
 Confirms the settings.

**PORTABLE IN**  
 For connecting a portable device and listening to sound of it through this system's speakers.

**PHONES**  
 Headphone jack

## Remote control

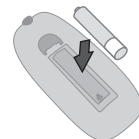
	<b>POWER</b> on/ off
<b>SLEEP</b>	<b>Fall asleep while listening to your unit</b> Press <b>SLEEP</b> one or more times to select delay time between 10 and 180 minutes ( <b>Dimmer: Dim the display light</b> )
<b>INFO</b>	<b>See information about your music.</b>

<b>F (FUNCTION)</b>	<b>Changes the functions.</b>
<b>EQ</b>	<b>sound quality adjustment.</b> You can choose sound impressions.
<b>LG EQ</b>	You can select a Natural or Local Specialization equalizer effect by using LG EQ.

<b>REPEAT/RANDOM</b>	Listenes to your tracks repeatedly or randomly.
<b>TUN (+)/(-)</b>	<b>Selects the radio station.</b> <b>Searchs for a section within a track.</b> <b>Skips Fast backward or Forward.</b>
<b>▶/  </b>	<b>Starts or pauses playback</b>
<b>■</b>	<b>Stops playback or recording</b>

<b>RDS/ PTY (Optional)</b>	<b>RDS (Radio Data System)</b> <b>Searchs radio stations by radio type.</b>
<b>● REC</b>	<b>Recording button.</b>

<b>FOLDER • PRESET</b>	<b>Searchs for a folder of MP3/ WMA files</b> When a CD containing MP3/ WMA files in several folders is being played, press <b>FOLDER•PRESET</b> selects the folder you want to play. <b>Choose a 'preset number' for a radio station.</b>
<b>VOL ±</b>	Controls the volume when using any function.
<b>PROGRAM / MEMO.</b>	<b>For storing radio stations</b> If you have saved radio stations using <b>PROGRAM/MEMO.</b> , you can scroll through them and select one. <b>Listens to your tracks in any order</b>
	<b>Temporarily stop the sound</b> Press the button again to return to the sound.



**Put the battery into the remote control**  
Make sure for the + (plus) and - (minus) on the battery to be matched on the remote control. (size AAA)

## Listening to CDs

Audio CD and MP3/ WMA CD can be played back in this unit.

	ON UNIT	ON REMOTE
<b>1. Insert the CD</b>	-	-
<b>2. Select the CD function</b> The display will show the total number of tracks (files).	<b>FUNC.</b>	<b>FUNCTION</b>
<b>3. Start the CD playing</b>	<b>▶/  </b>	<b>▶/  </b>
<b>4. To stop a CD playing</b>	<b>■</b>	<b>■</b>

### Listening to CDs - More you can do

#### Pausing or restarting a CD

- 1 Press **▶/||** on the unit or **▶/||** on the remote control during playback.
- 2 Press this button again to resume play.

#### Searching for a section within a track

Press and Hold **◀◀ / >>** on the unit or **◀◀/▶▶** on the remote control during playback and release it at the point you want to listen to.

#### Skipping to another track (files)

Press **◀◀ / >>** on the unit or **◀◀/▶▶** on the remote control in stop status.

#### Creating your own playlist

You can play up to 30 tracks on a CD in order.

- 1 Insert a CD and wait for it to be read.
- 2 Press **PROGRAM/MEMO.** on the remote control in stop status.
- 3 Press **◀◀ / >>** on the unit or **◀◀/▶▶** on the remote control to select a track.
- 4 Press **PROGRAM/MEMO.** again to save and select a next track.
- 5 Press **▶/||** on the unit or **▶/||** on the remote control to play the programmed music files.
- 6 To clear your selection, press **■**, **PROGRAM/MEMO.** and then **■**.

#### Listening to your tracks (files) repeatedly or randomly

- 1 Press **REPEAT/RANDOM** on the remote control repeatedly. The current (tracks) file will be played back repeatedly or randomly.
- 2 To return to normal playback, press **REPEAT/RANDOM** repeatedly to select.

### About MP3/ WMA

#### MP3/ WMA Disc compatibility with this unit is limited as follows:

- Sampling Frequency : 32 - 48 kHz (MP3), 32 - 48 kHz (WMA)
- Bit rate : 32 - 320 kbps (MP3), 40 - 320 kbps (WMA)
- CD-R physical format should be "ISO 9660/ JOLIET"
- If you record MP3/WMA files using the software which cannot create a FILE SYSTEM, for example "Direct-CD" etc., it is impossible to playback MP3 files. We recommend that you use "Easy-CD Creator", which creates an ISO 9660 file system.
- Do not use special letters such as "/ : \* ? " < >" etc.
- At most 99 folders and 999 files are supported on the unit..

### Enjoying a pre-programmed sound field

The system has a number of pre-set surround sound fields. You can select a desired sound mode by using **EQ/ LG EQ**. The displayed items for the Equalizer may be different depending on sound sources and effects.

#### NATURAL

You can enjoy comfortable and natural sound.

#### Local specialization equalizer

Regionally optimized sound effect. (DANGDUT/ ARABIC/ PERSIAN/INDIA/ REGUETON/ MERENGUE/ SAMBA/ SALSA)

#### AUTO EQ

Realizes the sound equalizer that is the most similar to the genre of which is included in song files.

#### POP CLASSIC JAZZ ROCK

This program lends an enthusiastic atmosphere to the sound, giving you the feeling you are at an actual rock pop, jazz or classic concert.

#### MP3 OPT

This function is optimized for compressible MP3/WMA file. It improves the bass sound.

#### XDSS ON

Reinforce the treble, bass and surround sound effect.

#### VIRTUAL

You can enjoy more virtual surround sound.

#### NORMAL

You can enjoy the sound without equalizer effect.

### Displaying file information (ID3 TAG)

You can check the ID3 TAG information of MP3 files only in discs by pressing **INFO** repeatedly.

### Listening to the radio

Make sure both for the FM aerial to be stretched to the most.

	ON UNIT	ON REMOTE
<b>1 Select FM</b>	<b>FUNC.</b>	<b>FUNCTION</b>
<b>2 Select a radio station</b>	<b>I&lt;&lt; / &gt;&gt;I</b>	<b>TUN- / +</b>
<b>3 To save a radio station</b> A preset number will show in the display.	-	<b>PROGRAM/MEMO.</b>
<b>4 Select the preset number</b> Up to 50 radio stations can be saved.	-	<b>FOLDER* PRESET</b>
<b>5 To confirm press</b>	-	<b>PROGRAM/MEMO.</b>
<b>6 To select a 'saved' station</b>	-	<b>FOLDER* PRESET</b>

### Listening to the radio - More you can do

#### Looking for radio stations automatically

- 1 Press and hold **TUN-/ TUN+** for more than a second.
- 2 The tuner will scan automatically and stop when it finds a radio station.

#### Deleting all the saved stations

- 1 Press and hold **PROGRAM/MEMO.** for two seconds.  
- "ERASE ALL" will flash up on the display.
- 2 Press **PROGRAM/MEMO.** to erase all saved radio stations.

#### Improving poor FM reception

Press **▶/■** (MO./ST.) on the remote control. This will change the tuner from stereo to mono and usually improve the reception.

### See information about your radio stations

The FM tuner is supplied with the Radio Data System (RDS) facility. This shows the letters RDS on the display, plus information about the radio station being listened to. Press **RDS** on the remote control several times to view the information.

**PTY** - Programme Type, such as News, Sport, Jazz.

**RT** - Radio Text, the name of the radio station.

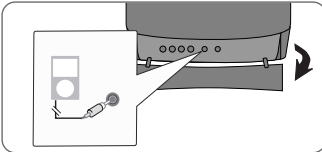
**CT** - Time Control, the time at the location of the radio station.

**PS** - Programme Service name, the name of channel.

You can search the radio stations by programme type by pressing **RDS**. The display will show the last PTY in use. Press **PTY** one or more times to select your preferred programme type. Press **I<< / >>I** (**I<<< / >>>I**). The tuner will search automatically. When a station is found the search will stop.

### Listening to music from your portable player

The unit can be used to play the music from many types of portable player.

	ON UNIT	ON REMOTE
<b>1 Connect the portable player to the PORT.IN (PORTABLE IN) connector of the unit.</b>	-	-
		
<b>2 Turn the power on.</b>	<b>⏻/⏺</b>	<b>⏻</b>
<b>3 Select the function.</b> Turn on the portable player and start it playing.	<b>FUNC.</b>	<b>FUNCTION</b>



### Using an USB device

You can enjoy media files saved on a USB device by connecting the USB device to the USB port of the unit. If you want to operate other function, see the "Listening to CDs" section.

	ON UNIT	ON REMOTE
<b>1 Open the USB port cover.</b>	-	-
<b>2 Connect the USB device to the USB port of the unit.</b>	-	-
<b>3 Select the USB function.</b>	<b>FUNC.</b>	<b>FUNCTION</b>
<b>4 Select a file you want to play.</b>	<b> &lt;&lt; / &gt;&gt; </b>	<b> &lt;&lt; / &gt;&gt; </b>
<b>5 Start your media playing.</b>	<b>▶ /   </b>	<b>▶ /   </b>
<b>6 To stop, press</b>	<b>■</b>	<b>■</b>
<b>7 Before disconnecting, you have to change to any other function.</b>	<b>FUNC.</b>	<b>FUNCTION</b>

#### Compatible USB Devices

- MP3 Player : Flash type MP3 player.
- USB Flash Drive : Devices that support USB2.0 or USB1.1.
- The USB function of this unit does not support all USB devices.
- Devices which require additional program installation when you have connected it to a computer, are not supported.

#### Look out for the follows

- Do not extract the USB device while in operation.
- For a large capacity USB, it may take longer than a few minute to be searched
- To prevent data loss, back up all data.
- If you use a USB extension cable or USB hub, the USB device is not recognized.
- Using NTFS file system is not supported. (Only FAT(16/32) file system is supported.)
- This unit is not supported when the total number of files is 1000 or more.
- External HDD, Card readers, Locked devices, or hard type USB devices are not supported.
- USB port of the unit cannot be connected to PC.
- The unit can not be used as a storage device.

### Setting the Clock

	ON UNIT
<b>1 Turn the power on</b>	<b>⏻/ </b>
<b>2 Press for at least 2 seconds</b>	<b>CLOCK</b>
<b>3 Choose from either</b> AM 12:00 (for an AM and PM display) or 0:00 (for a 24 hour display)	<b> &lt;&lt; / &gt;&gt; </b>
<b>4 Confirm your selection</b>	<b>SET</b>
<b>5 Select the hours</b>	<b> &lt;&lt; / &gt;&gt; </b>
<b>6 Press</b>	<b>SET</b>
<b>7 Select the minutes</b>	<b> &lt;&lt; / &gt;&gt; </b>
<b>8 Press</b>	<b>SET</b>

#### Using your player as an alarm clock

- 1 Turn the power on.
- 2 Press and hold **TIMER** Each function, EX) TUNER, CD.... flashes.
- 3 Press **SET** when the function you want to be woken by is showing.
- 4 Choose one of them by pressing **SET**.
- 5 "ON TIME" will be displayed. Then you can set the time you want the alarm to go on. Press **|<< / >>|** to change the hours and minutes and **SET** to save.
- 6 "OFF TIME" will be displayed. Then, you can set the time you want the function to stop. Press **|<< / >>|** to change the hours and minutes and press **SET** to save.
- 7 You will be shown the volume (VOL) you want to be woken by. Use **|<< / >>|** to change the volume and **SET** to save.  
The clock icon "⌚" shows that the alarm is set.
- 8 Press **TIMER** button 2times. You can check the setting status.

#### Notes:

- If you set the clock time, you can check the time by pressing **CLOCK** even when the player is turned off.
- If you set the clock time and alarm, you can check the alarm icon "⌚" by pressing **CLOCK** even when the player is turned off.

#### Setting the asleep time

- 1 Press **SLEEP** repeatedly to select delay time between 10 and 180 minutes, after the unit will be turned off.
- 2 To check the remaining time, press **SLEEP**.
- 3 Press **SLEEP** once while "SLEEP 10" is displayed, to deactivate sleep function.

Recording to USB		
	ON UNIT	ON REMOTE
<b>1 Connect the USB device to the USB port of the unit.</b>	-	-
<b>2 Select a mode in which you want to record</b> Play a sound source first.	FUNC.	FUNCTION
<b>3 Start the recording</b>	USB REC.	● REC
<b>4 To stop recording, press</b>	■	■

### Recording to USB - more you can do

#### Recording Music file in disc source to USB

##### One track recording

If the USB recording is started during playback of the CD, the one track/ file would be recording into the USB.

##### All tracks recording

If the recording button is pressed at the CD stop, all tracks/ files would be recording. The files in the sub-folders are not recorded during all track recording.

##### Program list recording

USB records after creating your own program if you want to record the track you want (AUDIO CD Only).

#### When you are recording, look out for the following

- When you stop recording, the file that has been recorded at that time will be stored. (Audio CD only)
- Do not remove the USB device or turn off the unit during USB recording. If not, an incomplete file may be made and not deleted on PC.
- If USB recording does not work, the message like "NO USB", "ERROR", "FULL", "NO REC" is displayed on the display window.
- Multi card reader device or External HDD can not be used for USB recording.
- A file is recorded by about 512 Mbyte when you record for a long term.
- You may not record more than 999 files.
- **It'll be stored as follows.**

AUDIO CD	MP3/ WMA	The other sources
<pre> CD_REC ├── TRK-001 ├── TRK-002 ├── ⋮ └── ⋮                     </pre>	<pre> FILE_REC ├── 001_ABC(File name) ├── 002_DEF(File name) ├── ⋮ └── ⋮                     </pre>	<pre> EXT_REC ├── AUD-001 ├── AUD-002 ├── ⋮ └── ⋮                     </pre>

The making of unauthorized copies of copy-protected material, including computer programs, files, broadcasts and sound recordings, may be an infringement of copyrights and constitute a criminal offense. This equipment should not be used for such purposes.

**Be responsible  
Respect copyrights**

Troubleshooting		
Symptom	Cause	Correction
<b>General</b>		
No power.	The power cord is not plugged in.	Plug in the power cord.
	Check whether electricity failed.	Check the condition by operating other electronic devices.
No sound.	Check whether you select right function.	Press <b>FUNC. (FUNCTION)</b> and check the selected function.
<b>CD</b>		
The unit does not start playback.	An unplayable disc is inserted.	Insert a playable disc.
	The disc is dirty.	Clean the disc.
<b>RADIO</b>		
Radio stations cannot be tuned in.	The antenna is positioned or connected poorly.	Connect the antenna securely.
<b>Remote control</b>		
The remote control does not work properly.	The remote control is too far from the unit.	Operate the remote control within about 16 ft (5 m).
	There is an obstacle in the path of the remote control and the unit.	Remove the obstacle.
	The battery in the remote control is exhausted.	Replace the battery with new one.

Specifications	
<b>General</b>	
Power supply	200 - 240V ~50/60 Hz
Power consumption	50 W
Net Weight	3.2 kg
External dimensions (WxHxD)	175 x 269 x 290 mm
Operating temperature	5°C 35 °C
Operating humidity	5% 85%
<b>Tuner</b>	
FM Tuning Range	87.5 - 108.0 MHz or, 87.50 - 108.00 MHz
<b>Amplifier</b>	
Output Power	80W + 80W
T.H.D	0.5%
Frequency Response	20 ~ 20000 Hz
Signal-to-noise ratio	75 dB
<b>CD</b>	
Frequency response	20 ~ 20000 Hz
Signal-to-noise ratio	75 dB
Dynamic range	75 dB
<b>Speakers (FAS164F)</b>	
Type	3Way 4Speaker
Impedance	4Ω
Rated Input Power	80 W
Max. Input Power	160 W
Net Dimensions (WxHxD)	132 x 320 x 300 mm
Net Weight (1EA)	4.1 kg
<b>USB</b>	
Version	1.1 or 2.0
BUS Power supply	DC 5V ≍ 500mA

Designs and specifications are subject to change without prior notice.