

Installation

Hardware Installation

NOTES

- Please pay attention to handling Electrostatic Sensitive Devices, you may use anti-static products such as wrist straps, heel straps, mats to protect your body from electrostatic.
- Make sure you have a personal computer with one or two open USB ports before connecting the drive to your computer.
- Power for all other devices should be turn off before attaching the cables.

Connecting to computer

Connect the drive to the computer as shown in figure.

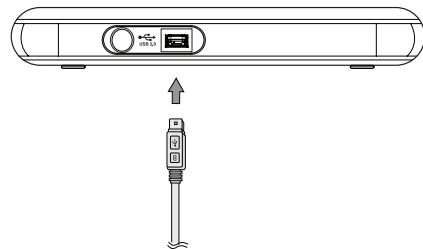
- ① Connect the USB 2.0 (Y type) cable to the drive.
- ② Connect the other end of the USB 2.0 cable to your computer.
- ③ The drive may get its power from the PC USB power. All systems may not meet USB power requirements and full performance may not be achieved. In this case, connect to the USB power cable.

When the computer is ready, confirm that the drive is detected. And then, insert the supplied software CD into the drive and install the software.

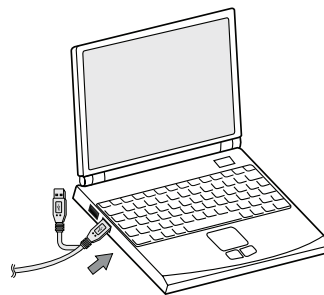
NOTES

- Please do not connect the USB cables by any means other than specified above. Using the wrong type of cable with this drive can cause it to malfunction.
- The appliance is not intended for use by young children or infirm persons without supervision. Young Children should be supervised to ensure that they do not play with appliance.
- If the appliance is supplied from a cord extension set or an electrical portable outlet device, the cord extension set on electrical portable outlet device must be positioned so that it is not subject to splashing or ingress of moisture.

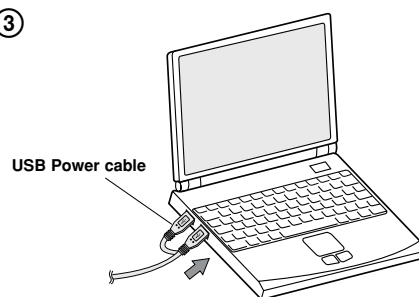
①



②



③



Location and function of controls

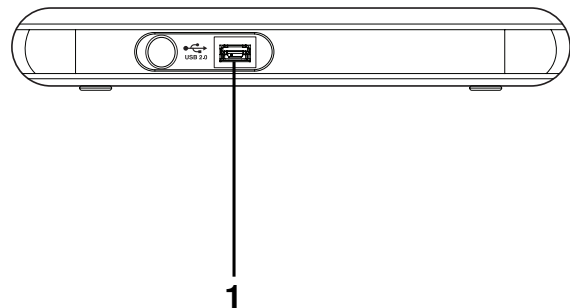
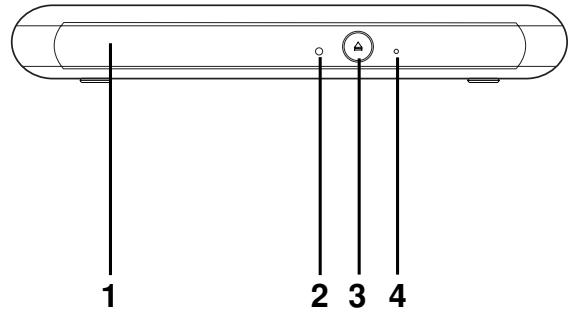
This following is the general figure of the design of the drive.
The drive's appearance and specifications may change without prior notice.

Front

1. **Disc Tray**
2. **Drive activity indicator**
The LED is used to indicate the operation of drive.
3. **Eject Button**
4. **Emergency Eject Hole**


Rear

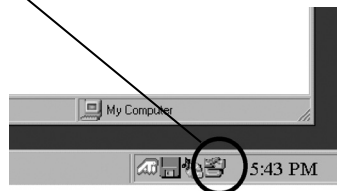
1. **USB Connector (mini)**
This connector is used to connect to the USB 2.0 cable.



Removing the USB converter cable (For Windows)

The drive supports the plug and play(not swap) function of Windows, and can be removed and inserted by performing the following operation.

1. Stop the application software being currently used.
2. Click the icon “” of the taskbar located on your screen's bottom right side.



3. Click “Safely Remove USB Mass Storage Device-Drive[x:]”.
4. Click “Ok” and then remove the USB converter cable.

NOTE

Don't remove the USB 2.0 cable when the busy indicator on the drive blinks, or during computer startup.
The removing procedure varies depending on your OS.



Quick Set-up Guide

Slim Portable Blu-ray Writer BP06

To install of your product, please read this guide manual carefully and completely.

Features

- Universal Serial Bus (USB) 2.0 interface for high-speed data transfer.
- Buffer Under Run error protection technology
- Emergency eject support
- Combination of CD-R/RW, DVD-R/RW, DVD+R/RW, DVD+R DL, DVD-R DL, DVD-RAM and BD-R (SL/DL,LTH)/RE (SL/DL) drive functions into one drive.
- Supports BD 3D Movie Play.
- PC USB powered, no AC adapter needed.
- Supports LightScribe Direct Label Printing Technology. - *Optional.

*You can use a variety of Drive

| | BP06LU11 | BP06NU11 |
|--------------|----------|----------|
| Light Scribe | ● | X |

Package Items

| Item | Quantity |
|--------------------------------|----------|
| - Slim Portable Blu-ray Writer | 1 |
| - USB 2.0 cable (Y type) | 1 |
| - Software Installation disc | 1 |
| - Quick Guide for Drive | 1 |

Cautions

System meeting the following requirements is needed in order to use USB 2.0 operation with this drive.

- Computer that is equipped with a USB 2.0 – compliant USB connector or PCI adapter card, and on which the USB 2.0 EHCI (Enhanced Host Controller Interface) driver software ¹⁾ has been installed.
 - ¹⁾ The USB 2.0 EHCI driver software is supplied with currently available PCI adapter cards that conform to USB 2.0. Further, Microsoft has released the USB 2.0 EHCI driver software for Windows XP, therefore it is also possible to use this driver software with Windows XP SP3.
- If you want to know in detail, please contact your USB 2.0 adapter dealer or consult your PC manufacturer, or consult the Microsoft Corporation Web site.

System Environment

Computer

This unit can be operated in the system environment explained here.

| | |
|--------------------------------|------------------------------------------------------------------------------------------------------------------------------------------------------------------------------------------------------------------------------------------------------------------------------------------------------------------------------------------------------------------------------------------------------------------------------------------------------------------------------------------------------------------------------------------------------------------------------------------------------------------------------|
| System requirements | <ul style="list-style-type: none"> • CPU : Pentium D 3.2 GHz or higher (Recommended Core 2 Duo P8600 2.4 GHz or higher.) • O/S : Windows XP (Home / Professional / Media Center Edition) with SP3/ Windows Vista (X86, X64)/ Windows 7 • RAM : 1 GB or more • HDD : 30 GB or more of available space (60 GB for Blu-ray Disc authoring) |
| Interface | USB 2.0 port |
| Recommended media manufacturer | <p>BD-R : LG, Sony, Panasonic, Mitsubishi Kagaku Media, Verbatim</p> <p>BD-RE : Mitsubishi Kagaku Media, Maxell, Sony, Panasonic, Verbatim</p> <p>DVD-R : Mitsubishi Kagaku Media, Verbatim</p> <p>DVD-RW : JVC, Mitsubishi Kagaku Media</p> <p>DVD+R : Mitsubishi Kagaku Media, Verbatim</p> <p>DVD+RW : Mitsubishi Kagaku Media, Verbatim</p> <p>DVD±R DL : Mitsubishi Kagaku Media, Verbatim</p> <p>DVD-RAM : Maxell</p> <p>CD-R : LG, Mitsubishi Kagaku Media, Verbatim, Taiyo Yuden, TDK</p> <p>CD-RW : LG, Mitsubishi Kagaku Media, Verbatim</p> |

* Compatibility problem in write/read function may occur with some media depending on the media manufacturing quality.

* To achieve maximum Record & Write speed your system may require data to be copied first to the computer's hard drive rather than directly from another source disc or drive.

Blu-ray Disc movie playback

CPU: Following CPU recommended for playing Blu-ray Disc

-Intel: E6400 or higher

Graphic Card: card with following GPU (Graphic Processing Unit) recommended.

-nVidia: GeForce 7800GT or higher/ GeForce 8400 or higher

-ATI: ATI Radeon HD 2400 or higher

Graphic Card Driver shall meet AACS compliance criteria.

Please consult your graphic card vendor for proper driver solution.

Specifications

| | |
|---------------------------|--------------------------------------------------------------------------------------------------------------------------------------------------------------------------------------------------------------------------------------------------------------------------------------------------------------------------------------------------------------------------------------------------------------------------------------------------------------------------------------------------------------------------------------------------------------------------------------------------------------------------------------------------------------------------------------------------------------------------------------------------------------------------------------------------------------------------------------------------------------------------------------------------------------------------------------------------------------------------|
| Supported Discs | BD-ROM (Single/Dual), BD-R (Single/Dual/LTH), BD-RE (Single/Dual), DVD-ROM (Single/Dual), DVD-RW, DVD-R, DVD+RW, DVD+R, DVD+R Double layer, DVD-R Dual layer, DVD-RAM, CD-Digital Audio & CD-Extra, CD-Plus, CD-ROM, CD-ROM XA-Ready, CD-I FMV, CD-TEXT, CD-Bridge, CD-R, CD-RW, Photo-CD (Single & Multi-Session), Video CD, DVD-VIDEO, BD-MV |
| Dimensions (WxHxD) | 156 x 21 x 165 mm |
| Weight | About 380g |
| Interface | USB 2.0 |
| Read/Write Speed | <p>Write :</p> <p>BD-R SL: 2x, 4x, 6x</p> <p>BD-R DL: 2x, 4x, 6x</p> <p>BD-R LTH: 2x, 4x, 6x</p> <p>BD-RE (SL/DL): 2x/2x</p> <p>DVD-R (SL/DL): 2x, 4x, 8x/2x, 4x, 6x</p> <p>DVD+R (SL/DL): 2.4x, 4x, 8x/2.4x, 4x, 6x</p> <p>DVD-RW: 1x, 2x, 4x, 6x</p> <p>DVD+RW: 2.4x, 3.3x, 4x, 8x</p> <p>DVD-RAM: 2x, 3x, 5x (Ver.2.2)</p> <p>CD-R: 10x, 16x, 24x</p> <p>CD-RW: 4x, 10x, 16x, 24x</p> <p>Read :</p> <p>BD-ROM (SL/DL): 6x/6x max.</p> <p>BD-R (SL/DL): 6x/6x max.</p> <p>BD-R LTH: 6x max.</p> <p>BD-RE (SL/DL): 6x/6x max.</p> <p>DVD-ROM: 8x max.</p> <p>DVD-R (SL/DL): 8x/8x max.</p> <p>DVD+R (SL/DL): 8x/8x max.</p> <p>DVD-RW: 8x max.</p> <p>DVD+RW: 8x max.</p> <p>DVD-RAM (Ver.2.2): 5x max.</p> <p>CD-R/RW/ROM: 24x max.</p> <p>CD-DA (Ripping/Audio Play): 24x/10x max.</p> |

* The drive's appearance and specifications may change without prior notice.

- The maximum data transfer rate varies according to the performance capabilities of the PC.
- For the sake of periodic improvements, specifications and appearance are subject to change without notice.
- We have taken all possible measures to assure the quality of our products, but we cannot be responsible for the consequences if defect occurs.

| | |
|-----------------------------------------|---------------------------------------------------------------------------------------------------------------------------------------------------|
| Average Access Time (1/3 Stroke) | BD-ROM : 200 ms typ. (Typical) DVD-ROM : 160 ms typ. (Typical) DVD-RAM (ver. 2.2) : 180 ms typ. (Typical) CD-ROM : 160 ms typ. (Typical) |
| Buffer capacity | 4 MB |
| MTBF | 60,000 Power On Hours (Duty Cycle 10 %) |
| Power Requirement | 5 V DC |
| Operating Environment | <p>Temperature 5 °C to 40 °C</p> <p>Humidity 15 % to 85 %</p> |
| Storage Environment | <p>Temperature -30 °C to 60 °C</p> <p>Humidity 10 % to 90 % RH</p> |

Software

Install the appropriate CD Recording Authoring Software before using this unit. * Please uninstall any previous CD burning software you may have loaded on your PC in order to prevent possible compatibility issues. Once you have installed the application software, you may (if you wish) begin to reinstall previous software, taking note for errors. We recommend using the drive with the latest software as some problems encountered when using the drive can be solved by updating the software. We recommend to use USBFast Software in Software Installation disc for better performance.

Please visit www.lgservice.com and install the program, "LG ODD Online F/W update." By using the program, you can automatically check the latest information about FirmWares and update the FirmWare.

Worldwide support ; <http://www.LGservice.com>
Worldwide corporate site : <http://www.LG.com>

Safety Instructions

CAUTION: The laser used in the Writer can damage your eyes. Do not attempt to open the cover. To reduce the risk of electric shock, do not remove the cover (or back). There are no user-serviceable parts inside. Refer servicing to qualified service personnel. Use of controls or performance of procedures other than those specified herein may result in hazardous radiation exposure.

WARNING: To reduce the risk of fire or electric shock, do not expose this appliance to rain or moisture.

VORSICHT: Der in diesem Laufwerk benutzte Laser kann Ihre Augen schädigen. Versuchen Sie keinesfalls, die Abdeckung zu öffnen. Um die Gefahr eines elektrischen Schocks zu reduzieren, sollten Sie die Abdeckung (oder Rückseite) keinesfalls entfernen. Im Inneren des Geräts befinden sich keine Teile, die vom Benutzer selbst gewartet werden können. Überlassen Sie die Wartung qualifizierten Kundendiensttechnikern. Beachten Sie bei der Benutzung von Bedienelementen und der Durchführung von Prozeduren unbedingt die Anweisungen dieses Handbuchs, da andernfalls gefährliche Strahlung freigesetzt werden kann.

WARNUNG: Setzen Sie das Laufwerk keinesfalls Regen oder Feuchtigkeit aus, um die Gefahr eines Brandes oder elektrischen Schocks zu reduzieren.

ATTENTION: l'exposition au laser utilisé dans le graveur présente un danger pour les yeux. N'essayez pas d'ouvrir le capot. Afin de réduire les risques de chocs électriques, ne retirez pas le capot (ni l'arrière du dispositif). Aucune pièce interne ne peut être remplacée par l'utilisateur. Pour la maintenance de l'appareil, adressez-vous au personnel qualifié du service de maintenance. L'utilisation de commandes ou de procédures différentes de celles spécifiées ci-après peut entraîner une exposition à des rayons dangereux.

AVERTISSEMENT: Ne pas exposer ce matériel à la pluie ou à l'humidité (risques d'incendie et d'électrocution).

PERICOLO: Il dispositivo di lettura e scrittura utilizzato in questo masterizzatore utilizza un raggio laser che, se osservato da vicino, può danneggiare la vista. Evitare di smontare il coperchio dell'apparecchio. Al fine di prevenire eventuali folgorazioni, evitare di smontare l'apparecchio. All'interno dell'apparecchio non sono presenti parti che richiedono manutenzione da parte dell'utente. In caso di difetti o guasti, rivolgersi ad un Centro di Assistenza Tecnica. L'esecuzione di procedure diverse da quella espressamente indicate in questo manuale può provocare pericolose esposizioni alle radiazioni laser.

ATTENZIONE: Al fine di evitare cortocircuiti o principi di incendio, evitare di esporre questo apparecchio alla pioggia o ad una eccessiva umidità ambientale.

PRECAUCION: El láser utilizado en la unidad puede dañar sus ojos. No intente abrir la tapa. Para reducir el riesgo de descarga eléctrica, no quite la tapa (ni la parte posterior). No hay piezas internas que deba mantener el usuario. El servicio de mantenimiento debe efectuarlo personal técnico cualificado. El uso de controles o la ejecución de procedimientos distintos de los especificados en este manual pueden ser causa de exposición a radiación peligrosa.

ADVERTENCIA: Para reducir el riesgo de fuego o descarga eléctrica, no exponga este aparato a la lluvia ni a la humedad.

CUIDADO: O laser utilizado na unidade pode causar lesões oculares. Não tente abrir a tampa. Para reduzir o risco de choques eléctricos, não retire a tampa (quer frontal quer superior). A unidade não contém peças que possam ser reparadas pelo utilizador. Deixe a manutenção para um técnico da assistência qualificado. A utilização de controlos ou a execução de procedimentos que não sejam os especificados neste manual podem causar a exposição a radiações perigosas.

AVISO: Para reduzir o risco de incêndio ou choque eléctrico não exponha este aparelho á chuva ou humidade.

EU Conformity Notice



LG Electronics hereby declares that this/these product(s) is/are in compliance with the essential requirements and other relevant provisions of Directive 2004/108/EC, 2006/95/EC, and 2009/125/EC.

European representative :
LG Electronics Service Europe B.V. Veluwezoom 15, 1327
AE Almere. The Netherlands
(Tel : +31-(0)36-547-8888)

| | |
|----------------|----------------|
| CLASS 1 | LASER PRODUCT |
| LASER KLASSE 1 | PRODUKT |
| LUOKAN 1 | LASER LAITE |
| KLASS 1 | LASER APPARAT |
| CLASSE 1 | PRODUCTO LÁSER |
| CLASSE 1 | PRODOTTO LASER |

CAUTION: CLASS 3B VISIBLE AND INVISIBLE LASER RADIATION WHEN OPEN AND INTERLOCKS DEFEATED. AVOID EXPOSURE TO THE BEAM.

ADVARSEL: KLASSE 3B SYNLIG OG USYNLIG LASERSTRÅLING I ÅBEN TILSTAND OG VED AFBRUDT LÅSEFUNKTION. UNDGÅ AT BLIVE RAMT AF LASERSTRÅLEN.

VARO! : LUOKKA 3B AVATTAESSA JA KUMOTTAESSA LUKITUS NÄKYVÄÄ JA NÄKYMÄTÖNTÄ LASERSÄTEILYÄ. VÄLTÄ LASERSÄTEILLE ALTISTUMISTA.

ATTENTION: CLASSE 3B RAYONNEMENT LASER VISIBLE ET INVISIBLE EN CAS D'OUVERTURE ET ENCLENCHEMENTS DEFECTUEUX, EVITER L'EXPOSITION AU FAISCEAU.

VORSICHT: SICHTBARE UND UNSICHTBARE LASERSTRALUNG DER KLASSE 3B WENN ABDECKUNG GEÖFFNET UND SICHERHEITVERRIEGELUNG ÜBERBRÜCKT VERMEIDEN SIE ES, SICH DEM STRAHL AUSZUSETZEN.

ADVARSEL: KLASSE 3B SYNLIG OG USYNLIG LASERSTRÅLING NÅR ÅPNES OG LÅS BRYTES. UNNGÅ EKSPONERING FOR STRÅLEN.

WARNING: KLASSE 3B SYNLIG OCH OSYNLIG LASERSTRÅLNING FÖREKOMMER NÅR OCH MELLANLÅSET FÖRSTÖRS. UNDVIK EKSPONERING UNDER STRÅLEN.

Industry Canada requirement

This class B digital apparatus complies with Canadian ICES-003. Cet appareil numérique de la classe B est conforme à la norme NMB-003 du Canada.

FCC COMPLIANCE STATEMENT

Note: This equipment has been tested and found to comply with the limits for a Class B digital device, pursuant to Part 15 of the FCC Rules. These limits are designed to provide reasonable protection against harmful interference in a residential installation. This equipment generates, uses, and can radiate radio frequency energy and, if not installed and used in accordance with the instructions, may cause harmful interference to radio communications. However, there is no guarantee that interference will not occur in a particular installation. If this equipment does cause harmful interference to radio or television reception, which can be determined by turning the equipment off and on, the user is encouraged to try to correct the interference by one or more of the following measures:

- Reorient or relocate the receiving antenna.
- Increase the separation between the equipment and receiver.
- Connect the equipment into an outlet on a circuit different from that to which the receiver is connected.
- Consult the dealer or an Authorized Service Center for help.

FCC WARNING

- Changes or modifications not expressly approved by the party responsible for compliance could void the user's authority to operate the equipment.
- This product is for use only with UL listed personal computers that have installation instructions detailing user-installation of card cage accessory.

■ Microsoft® and Windows® are trademarks registered in the United States and other countries by the Microsoft Corporation.

■ The company names and product names written in this manual are trademarks or registered trademarks of the respective companies.