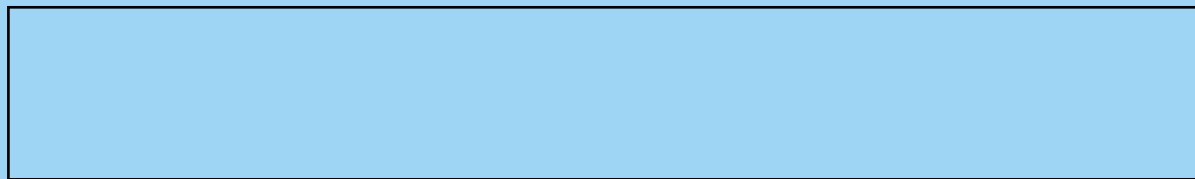


OWNER'S MANUAL

V-CC182H***

Bagless vacuum cleaner



P/No.: 3828Fi2872C



3828Fi2872C





Table of contents

Information for Your Safety	3
How to Use	4
Assembling the Cleaner	4
Using the Cleaning head and Accessory Nozzles.....	6
Using the Cleaning carpet and floor nozzle and Carpet master.....	8
Using the Elbow tube	9
Emptying the Dust Chamber	10
Operation	11
① How to Plug in and Use.....	11
② Adjusting the Suction power.....	11
③ Park-System.....	11
④ Storage.....	11
Cleaning the Filter	12
Cleaning the Motor Exhaust Filter.....	13
What to Do if your Vacuum Cleaner Does Not Work	14
What to Do When Suction Performance Decreases	14

Information for Your Safety

Please read all the following information, which contains important instructions for the safety, the use and the maintenance of the appliance.

This appliance complies with the following EC Directives: -73/23/EEC, 93/68/EEC-Low Voltage Directive-89/336EEC -EMC Directive.

- Never allow children to use the appliance unsupervised.
- Do not use the vacuum as a toy, injury could result.
- Do not continue to vacuum if any defect appears, missing or damaged.
In these cases, contact an approved LG Electronics Service Agent.
- Repairs, when necessary, must be performed at an approved LG Electronics Service Agent.
- Only use parts produced or recommended by LG doing otherwise could invalidate your guarantee.
- Do not use without the dust tank or air filter.
- Do not use the vacuum cleaner If the power cord is damaged or faulty.
- If the power cord is damaged, it must be replaced by an approved LG Electronics Service Agent to avoid a hazard.
- Do not unplug by pulling on cord.
- Do not pull on the supply cord, run over it, pull it around sharp edges or near/over hot surfaces.
- Always turn the vacuum cleaner off before:
 - Emptying the dust tank.
 - Cleaning or changing the filter.
 - Removing from the mains outlet.
- Do not leave vacuum cleaner with the plug connected to a mains outlet-unplug when not in use.
- Do not use the vacuum with any of the openings blocked with any object that may restrict the airflow.
- Do not put any part of the body, clothes or any object (e.g. stick) into the opening or moving parts of the cleaner.
- Do not use outdoors.
- Do not vacuum hot ash, embers etc. or sharp objects.
- Do not vacuum flammable or explosive substances(liquids or gases).
- Do not vacuum water or other liquids.
- Do not handle the cleaner or plug with wet hands.
- Do not immerse the whole cleaner in water.
- Do not use vacuum cleaner without repair if it was under water.
- When you vacuum with an attachment appliance that has a rotating brush roller:
 - Do not reach into the running brush roller.
- The appliance is not intended for use by young children or infirm persons without supervision.
 - Young children should be supervised to ensure that they do not play with the appliance.
- Do not vacuum fine dust.
- Do not expose vacuum cleaner to heat.

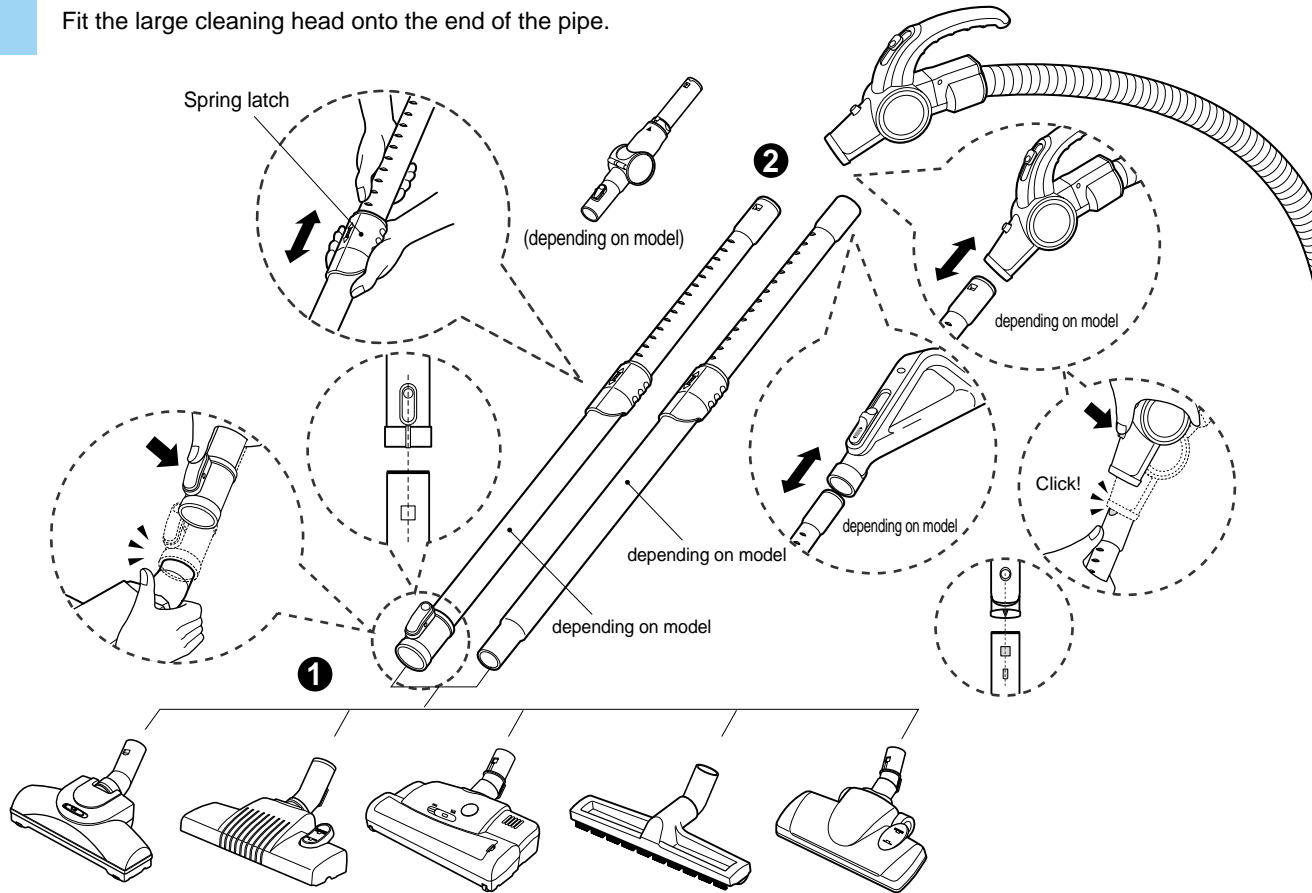


Thermal protector: This vacuum cleaner has a special thermostat that protects the cleaner in case of motor overheating. If the cleaner suddenly shuts off, turn off the switch and unplug the cleaner. Check the cleaner for a possible source of overheating such as a full dust tank, a blocked hose or clogged filter. If these conditions are found, fix them and wait at least 30 minutes before attempting to use the cleaner. After the 30 minutes period, plug the cleaner back in and turn on the switch. If the cleaner still does not run, contact a qualified electrician.

How to Use

Assembling the Cleaner

Fit the large cleaning head onto the end of the pipe.

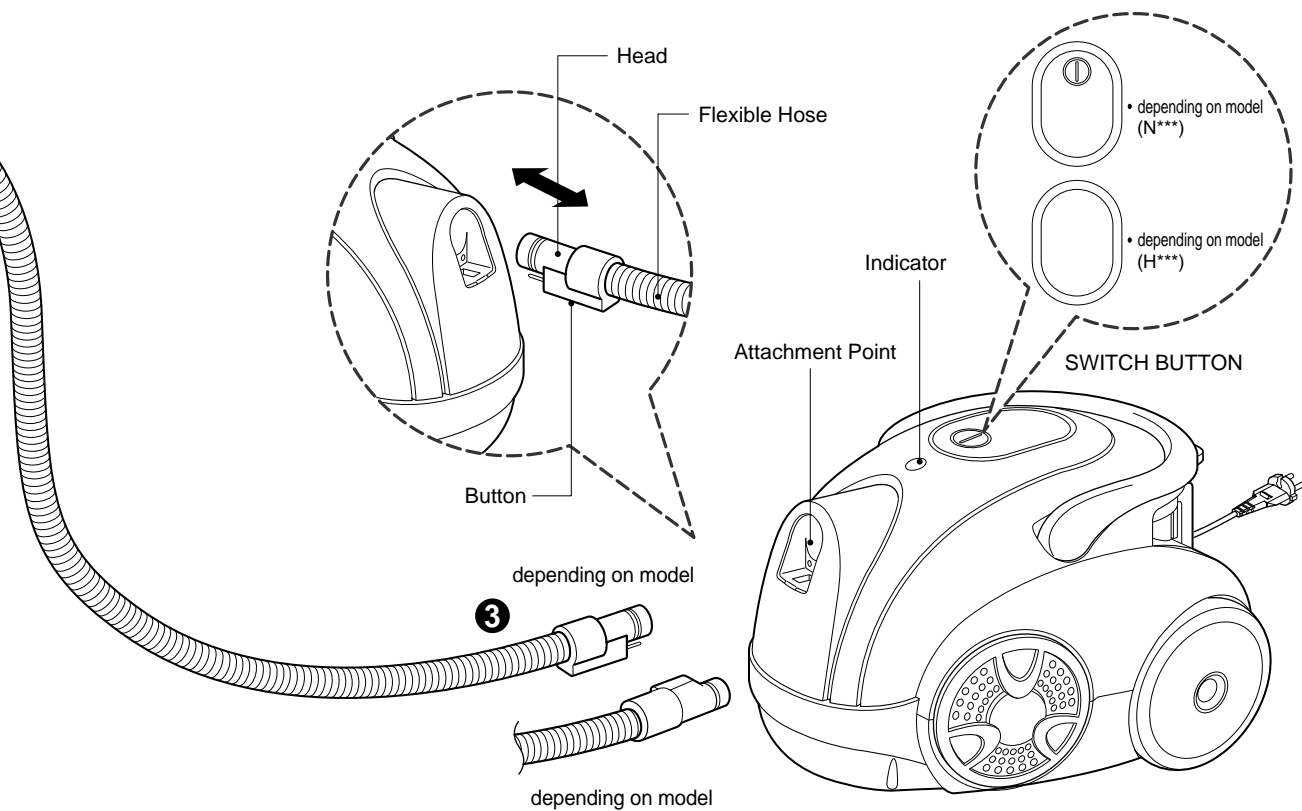


① Large cleaning head (Depending on model)

Push the head onto the telescopic pipe.

② Telescopic pipe (Depending on model)

- Press the spring latch to release.
- Pull out the pipe to the desired length.
- Release spring latch to lock the pipe in position.
- Push telescopic pipe into hose handle firmly.



3 Connecting the hose to the cleaner

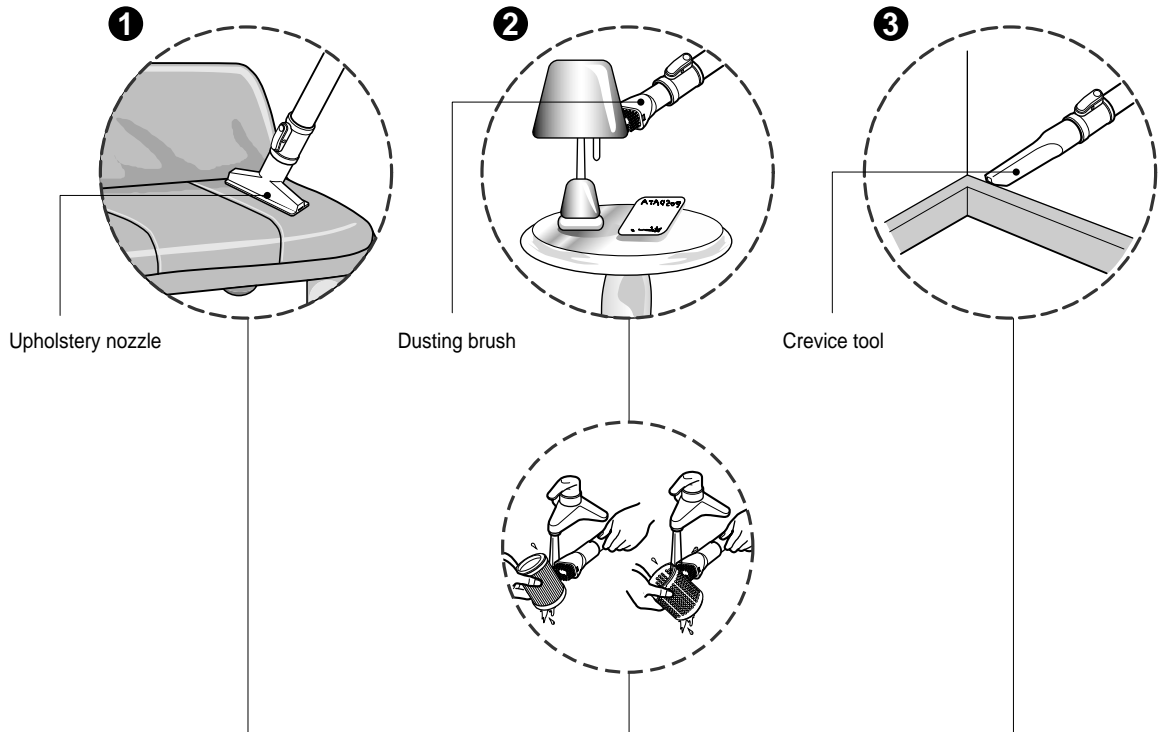
Push the end of the head on the flexible hose into the attachment point on the vacuum cleaner. To remove the flexible hose from the vacuum cleaner, press on the button situated on the head, then pull the head out of the vacuum cleaner.

CAUTION

- Suction power may be weakened when insignificant dusts are sucked. In this case, clean the filter.
- Make the dust box empty if dusts are filled to the maximum degree and then clean the filter when it becomes 5 times.

How to Use

Using the Cleaning head and Accessory Nozzles



Upholstery nozzle

Dusting brush

Crevice tool

1 Upholstery Nozzle

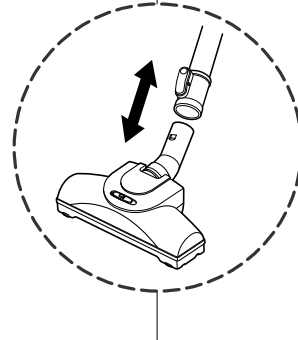
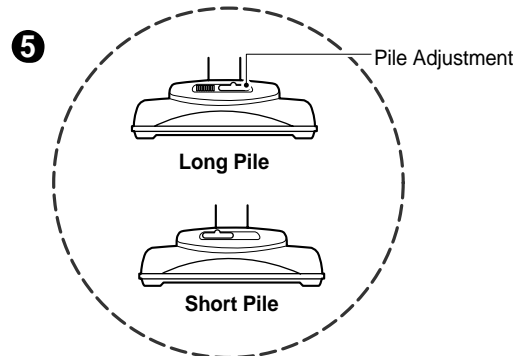
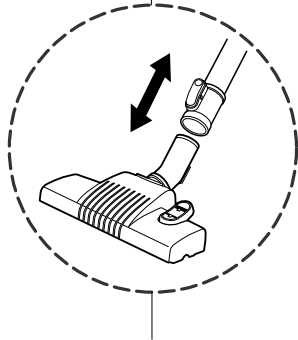
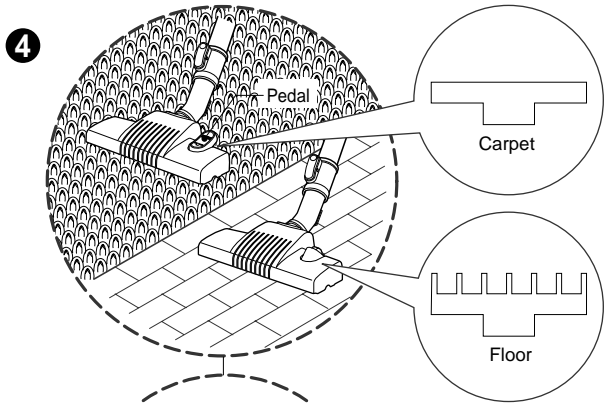
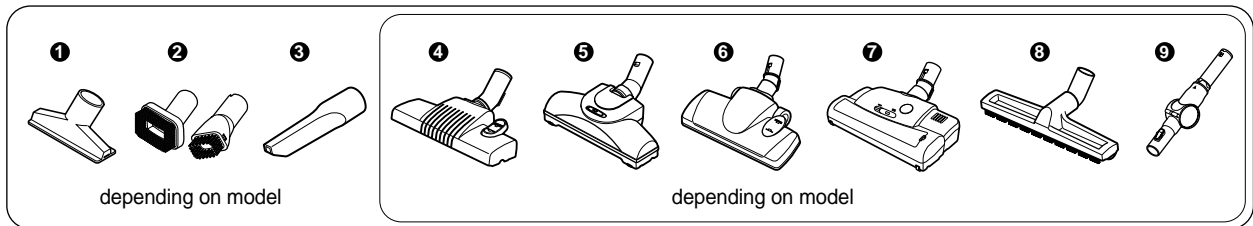
Upholstery Nozzle is for vacuuming upholstery, mattresses, etc. The thread collectors help to pick up the threads and fluff.

2 Dusting Brush

Dusting Brush is for vacuuming picture frames, furniture frames, books and other irregular surfaces. Dusting Brush is also used for cleaning Filters.

3 Crevice Tool

Crevice Tool is for vacuuming in those normally hard-to-reach places such as reaching cobwebs, or between the cushions of a sofa.



4 The 2 position head (Depending on model)

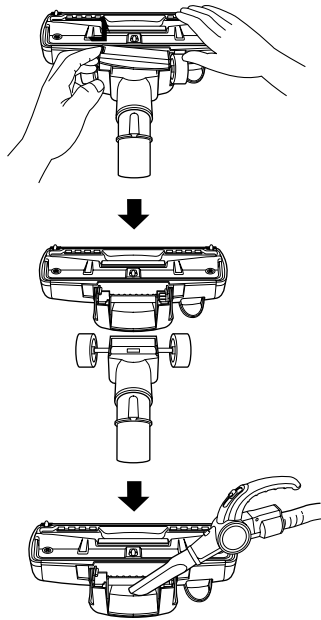
5 Air Turbine Brush (Depending on model)

- **The 2 position cleaning head** equipped with a pedal which allows you to alter its position according to the type of floor to be cleaned.
- **Carpet or rug position**
Press the pedal to lower brush.
- **Hard floor position (tiles, parquets floor)**
Press the pedal to lift the brush up.

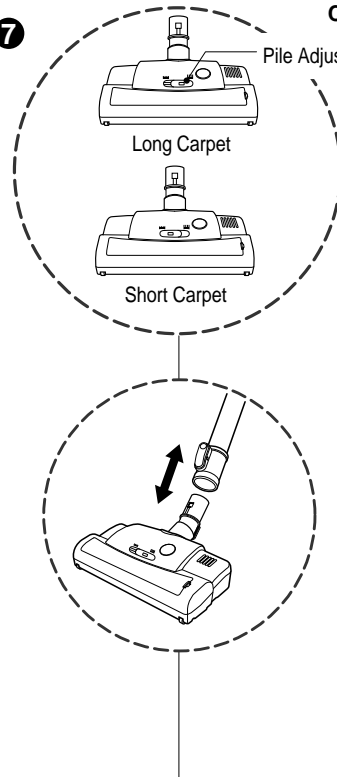
- Slide the Pile Adjustment to the right for long pile and to the left for short pile.

How to Use Using the Cleaning carpet and floor nozzle and Carpet master

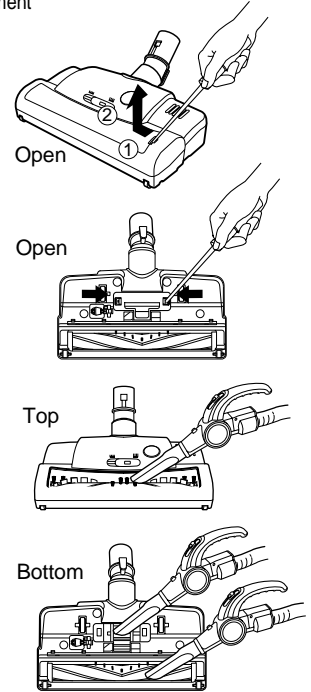
6 Cleaning carpet and floor nozzle



7



Cleaning Powerful Turbine Brush



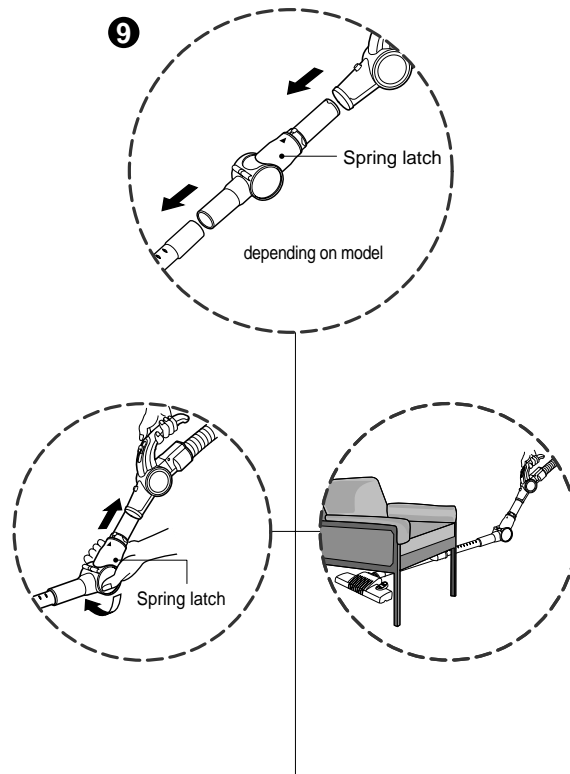
6 (Depending on model)

- Open the cover by pulling the hook.
- ↓
- Divide the nozzle into two parts
- ↓
- Clean the hole of the nozzle.

7 Carpet master (Depending on model)

- Open the window by pulling the hook.
- Open the cover at the bottom by pulling the hook.
- Clean the brush.
- Clean the brush and hole at the bottom.
- Slide the Pile Adjustment to the right for long carpet and to the left for short carpet

How to Use Using the Elbow tube

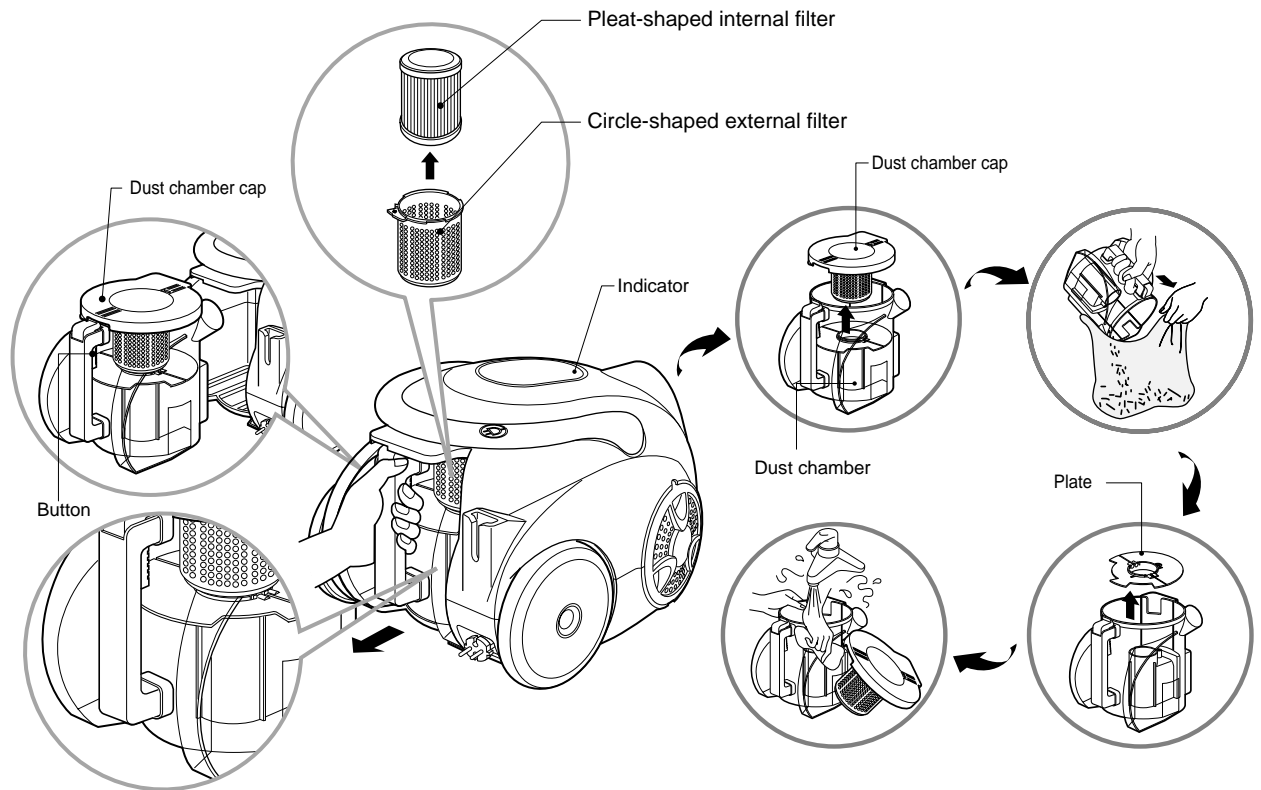


9 Elbow tube (Depending on model)

Elbow tube is for cleaning under the sofa, table and bed easily.

- Connect the elbow tube to the flexible hose and, connect the telescopic tube to the elbow tube. (You can also connect the telescopic tube to the flexible hose without the elbow tube.)
- If you pull the spring latch, the elbow tube is bended.
- If you stretch the elbow tube, it is returned to its position.

How to Use Emptying the Dust Chamber



The dust tank needs emptying when indicator is turned to red. Suction power may be weakened when insignificant dusts are sucked. In this case, clean the filter.

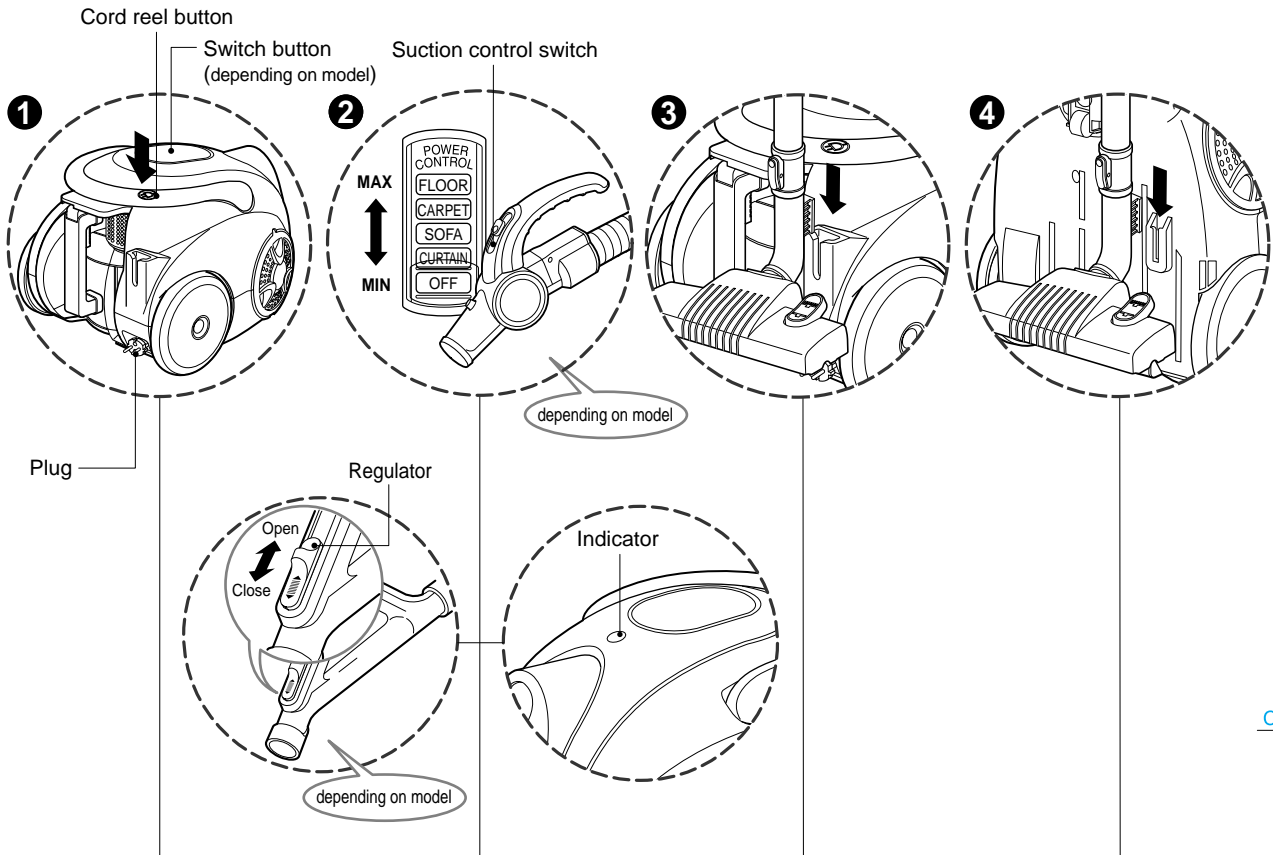
- Turn off the vacuum cleaner and unplug it.
- Your vacuum cleaner is equipped with both a dust chamber and a motor filters.

Press the button and pull the dust chamber forward. Remove the dust chamber cap. Clean the pleat-shaped and the circle-shaped filters.

- To reinstall the dust chamber, replace the dust chamber cap and push the dust chamber into the tank mount as far as it will go.

- Open the dust chamber cap.
- Remove two plates from the dust chamber.
- Wash both parts with softcloth. Gently rinse both parts under cold running water.

Operation



1 How to Plug in and Use

- Pull out the power cord to the desired length and plug into the socket.
- Push the suction control switch of the handle in the direction of the position what you want. (depending on model)
- To stop it, push down the suction control switch in the direction of OFF. (depending on model)
- Press switch button to start the vacuum cleaner. (depending on model)
- To stop it, press the switch button again. (depending on model)
- Press the cord reel button to retract the power cord after use.

2 Adjusting the Suction level

- Adjust suction with the suction control switch in the hose handle. (depending on model)
- The flexible hose handle has a manual air flow regulator which allows you to adjust the suction level briefly. (depending on model)
- The indicator is lighted on when the Dust Tank is closely filled with or Air filter is clogged.
 - ➔ Empty the Dust Tank and clean the Air filter.
- The indicator could be lighted when sucking fine. At this time clean the Air filter.

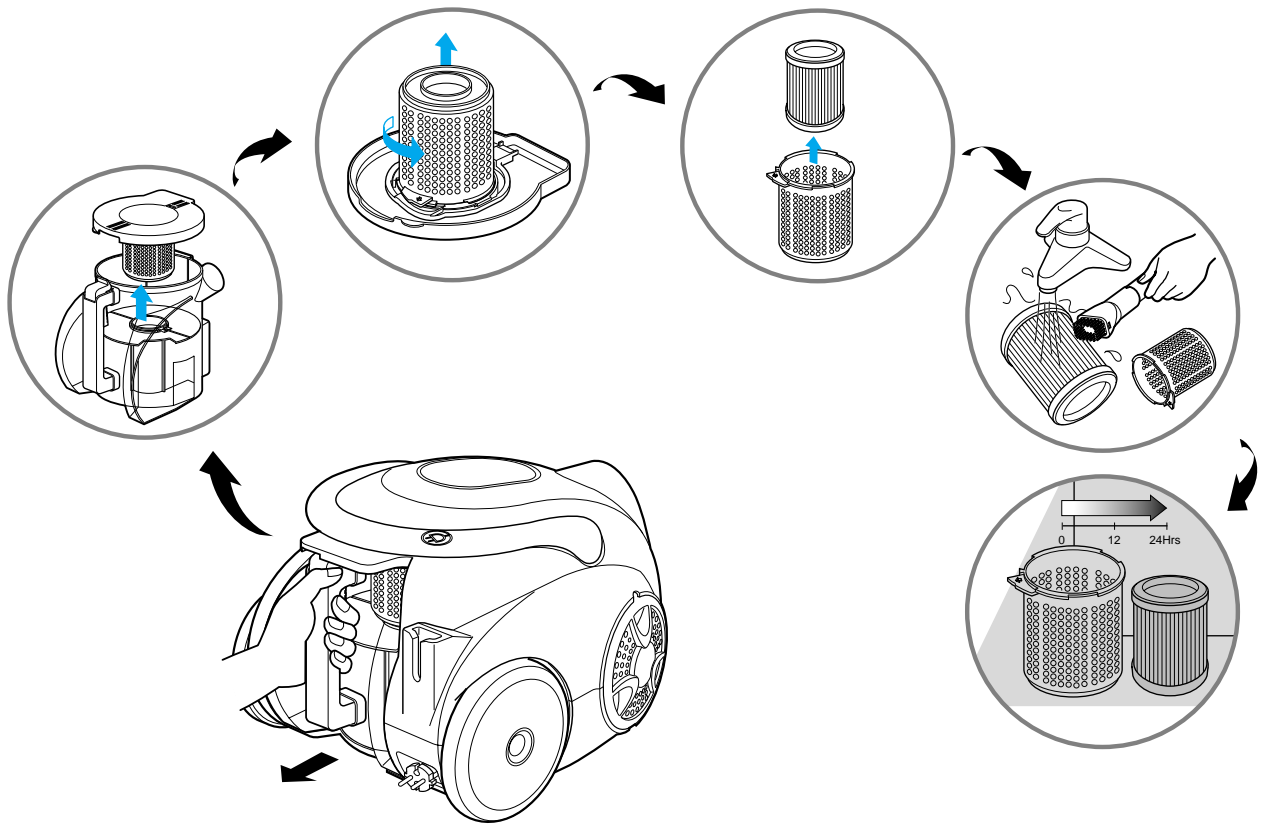
3 Park System

- To store after vacuuming and pause while vacuuming.
- For deposit after vacuuming, for example to move a small piece of furniture or a rug, use the Park system to support the flexible hose and cleaning head.
 - Slide the hook on the large cleaning head into the slot on the rear of the vacuum cleaner.

4 Storage

- When you have switched off and unplugged.
- The appliance, press on the button to automatically rewind the cord.
- You can store your appliance in a vertical position by sliding the hook on the large cleaning head into the clip on the underside of the appliance.

How to Use Cleaning the Filter



The reusable filters are situated under the dust chamber cap and you can use it permanently.

- Press the button and pull the dust chamber forward.
- Open the dust chamber cap.
- Remove the filters by rotating it counter-clockwise.
- **Clean the filters with the dusting brush under cold running water.**
- **Allow the filters to dry in a shaded location for a day.**
- Make the dust chamber empty if dusts are filled to the maximum degree and then clean the filter.

WARNING!

Gently rinse both parts separately under a cold running water until the water runs clear. **Do not use detergent or a washing machine or dishwasher.** Shake off excess water from the filter.

Do not tumble/spindry, microwave or place in oven or on direct heat.

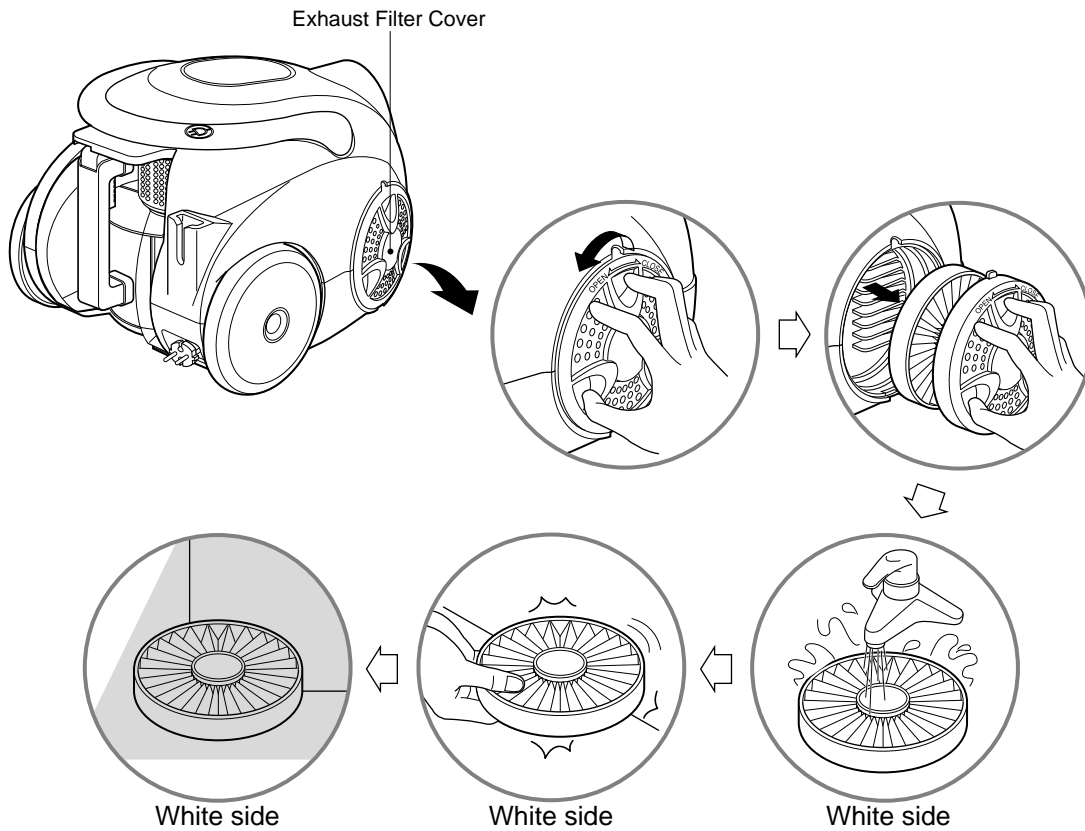
Ensure the filter is completely dry.

Re-assemble and place it back in your machine, filter frame.

If the filter is damaged, do not place them in the machine.

Please call the Helpline. Do not use the filter separately.

Cleaning the Motor Exhaust Filter



- The exhaust filter is a washable reusable HEPA filter.
- To clean the exhaust filter, remove the filter cover on the body by rotating the filter cover counter-clockwise.
- Pull out the exhaust filter.
- Clean it with cold, running water. Do Not use the brush as this will damage the filter.
- When you wash the filter, make sure don't wash the blue side.
- Allow exhaust filter to dry completely in a shaded location for a dry.
- The exhaust filter should be cleaned at least once a year.



What to Do if Your Vacuum Cleaner Does Not Work

Check that the vacuum cleaner is plugged in correctly and that the electrical socket is working.

What to Do When Suction Performance Decreases

- Turn off the vacuum cleaner and unplug it.
- Check the telescopic pipe, flexible hose and cleaning tool for blockages or obstructions.
- Check that the dust tank is not full. Empty if necessary.
- Check that the exhaust filter is not blocked. Clean the exhaust filter, if necessary.



WARNING!

Should it become necessary to replace the moulded plug then the detective plug should be replaced by a qualified electrician.