

Easy Setup Guide Specification

담당	관리자	
MK PARK 11.09.27	HJ LEE 11.09.27	JO KIM 11.09.27

1. Model Description

MODEL	SP-2000(42WS10, 47WS10,55WS10)	BRAND	LG	Part No.	MBM63477401 (1109-REV00)
SUFFIX	ALL	Product Name	Signage-Speaker		

2. Printing Specification

1. Trim Size (Format) : 148 mm x 210 mm (WXH)
2. Fold Step Size (Format) : No fold
3. Printing Colors
: 1 COLOR
4. Stock (Paper)
: Uncoated paper 80 g/㎡ (백상지)
5. Printing Method : OFF SET
6. Bindery : One Sheet (Flyer)
7. Language : English/Korean (2 Language)
8. Number of pages : 1

NOTES

- * This part contain Eco-hazardous substances (Pb, Cd, Hg, Cr6+, PBB, PBDE, etc.) within LG standard level, Details should be followed Eco-SCM management standard[LG(56)-A-2524]. Especially, Part should be followed and controlled the following specification.
- (1) Eco-hazardous substances test report should be submitted when Part certification test and First Mass Production.
 - (2) Especially, Don't use or contain lead(Pb) and cadmium(Cd) in ink.

3. Special Instructions

(1) Origin Notification

- | | | |
|--------------------------------|-----------------------------|-----------------------------|
| * LGEIN : Printed in Indonesia | * LGEWA : Printed in U.K | * LGEMA : Printed in Poland |
| * LGESP : Printed in Brazil | * LGEMX : Printed in Mexico | |
| * LGEND : Printed in China | * LGEIL : Printed in India | |

4. Changes

△8				
△7				
△6				
△5				
△4				
△3				
△2				
△1				
REV. NO.	MM/DD/YY	SIGNATURE	CHANGE NO.	CHANGE CONTENTS

Pagination sheet

P/NO. MBM63477401
Total pages : 2 pages

Front

Attaching speaker

1.....

LG P/NO.

Back

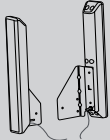
Back

Attaching Speaker / 스피커를 연결하려면

Take the parts for the speaker out of the box and assemble them as shown in the picture. 부속품을 박스로부터 꺼낸 후 그림과 같이 연결해 주세요.

Parts / 부속품

First, check if the following parts are all present. 먼저, 그림과 같이 부속품을 확인하세요.



* SP-2000
Speaker(2EA)
스피커(2개)

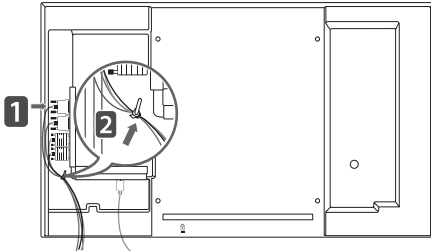


Cable Holder(2EA)/Cable Tie(2EA)
케이블 홀더(2개)/케이블 타이(2개)

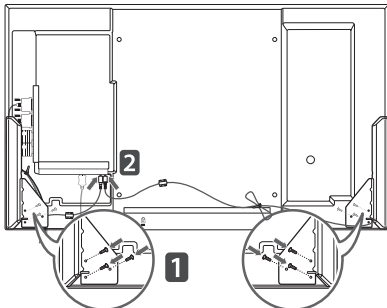


Screw(6EA)
: Diameter 4.0 mm x Pitch 0.7 mm x Length 8 mm(Included Spring Washer)
: 나사(6개) : 직경 4.0 mm x 피치 0.7 mm x 길이 8 mm(스프링 와셔 포함)

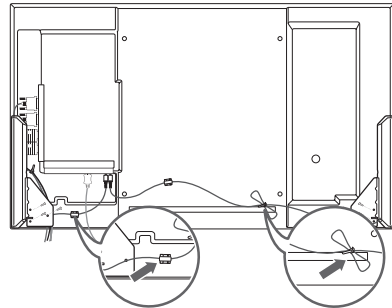
1. Connect an input signal cable to use before installing the speakers. Use a cable tie to organize and fix the cables.
스피커를 설치 하기 전, 사용할 입력 신호 케이블을 먼저 연결하세요. 케이블 타이를 이용해 케이블을 정리하고 고정시키세요.



2. Mount the speaker by using a screw as shown in the following. Then connect the speaker cable.
다음과 같이 나사를 사용하여 스피커를 장착합니다. 그런 다음 스피커 케이블을 연결합니다.



3. After installing your speakers, use holders and cable ties to organize the speaker cables.
스피커를 설치한 후 케이블 홀더와 타이를 사용해 스피커 케이블을 정리합니다.



! NOTE / 참고

Connect the speaker terminals noting the correct polarity.
극성에 맞게 스피커 케이블을 연결합니다.