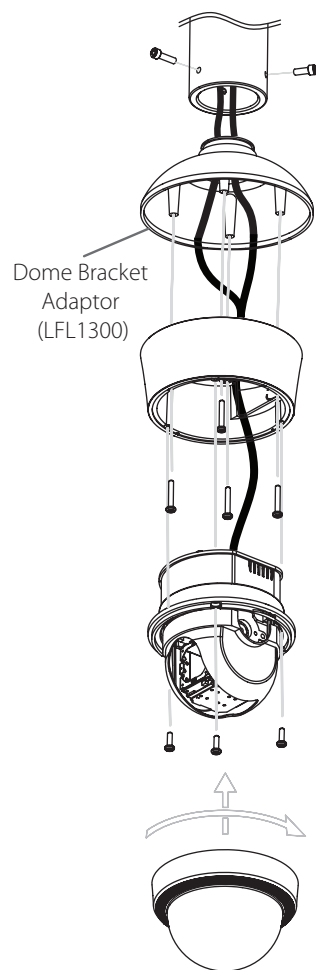
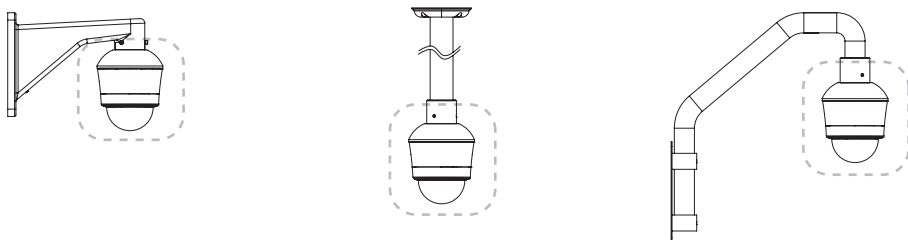


Installation with L9322 model

Note:

This Bracket Adaptor supports only L9322 model produced later than August 2012.



- 1 Insert the Dome Bracket Adaptor to 1.5" NPT screw-thread (female) pipe or to the Wall/Ceiling/Parapet Mount Adaptor (LBK1000W/LBK1000P/LBK1000R) and tighten the three pipe screws.

Warning

Make sure you fix the three pipe screws. If not secured tightly, the Dome Bracket Adaptor may loosen from the Pipe or Adaptor, causing physical damage or malfunction. (Make sure you check the connection between two components before proceeding with the next step.)

- 2 Assemble the housing of the Dome Camera to the Dome Bracket Adaptor and tighten four screws.

- 3 Assemble the camera and the housing and tighten four screws. (Align the "FRONT" marks of the camera mounting bracket and the camera assembly for proper camera orientation.)

- 4 Turn the Dome Cover clockwise to secure it to the camera.



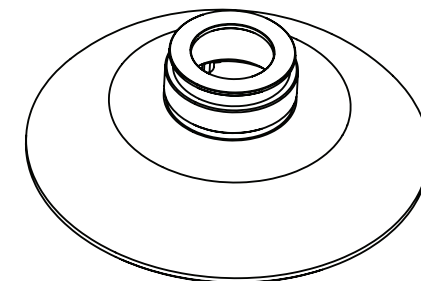
Installation Guide

Dome Bracket Adaptor

Model: LFL1300

Accessories

- Installation manual
- Screw accessory
 - Screw Machine(M4 x L10.0 mm) (4 ea)



Getting Started

Introduction

This product is designed for installation of LG Dome camera into the Wall Mount assembly (LBK1000W), Pendant Mount assembly (LBK1000P) or Parapet Mount assembly (LBK1000R) on the ceiling or wall.

The installable LG Dome Camera

- LND3's, LCV5's, LCD5's, LNV5's, LND5's, LND7's, LNV7's and L9322 models
- Refer to the owner's manual of LG Dome Camera for the compatibility of this product.
- Actual set may be differ from the picture described in this manual.

Installation Precautions

- Make sure that the installation place can endure at least 4 times of the total weight of the Dome Bracket Adaptor, Camera, and Wall/Ceiling/Parapet Mount Adaptor.
- The Dome Bracket Adaptor can be also connected to 1.5" NPT screw-thread pipe as well as to the Wall/Ceiling/Parapet Mount assembly.

Specifications

- Dimensions (Ø x H): 141 mm x 50 mm
- Net Weight: 0.18 kg
- Material: Aluminum
- Operating Temperature: -50 °C to 60 °C
- Operating Humidity: 0 to 100 %

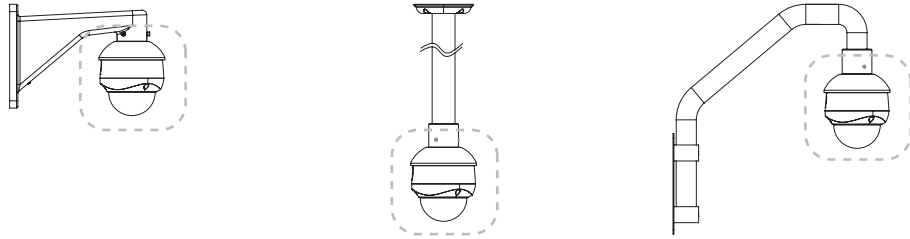
WARNING:

This product contains chemicals known to the State of California to cause cancer and birth defects or reproductive harm. **Wash hands after handling.**



MFL67644601

Installation with LCV5's, LNV5's and LNV7's models



Insert the Dome Bracket Adaptor to 1.5" NPT screw-thread (female) pipe or to the Wall/Ceiling/Parapet Mount Adaptor (LBK1000W/LBK1000P/LBK1000R) and tighten the three pipe screws.

1

Dome Bracket Adaptor (LFL1300)

Warning

Make sure you fix the three pipe screws. If not secured tightly, the Dome Bracket Adaptor may loosen from the Pipe or Adaptor, causing physical damage or malfunction. (Make sure you check the connection between two components before proceeding with the next step.)

Assemble the housing of the Dome Camera to the Dome Bracket Adaptor and tighten four screws.

2

3

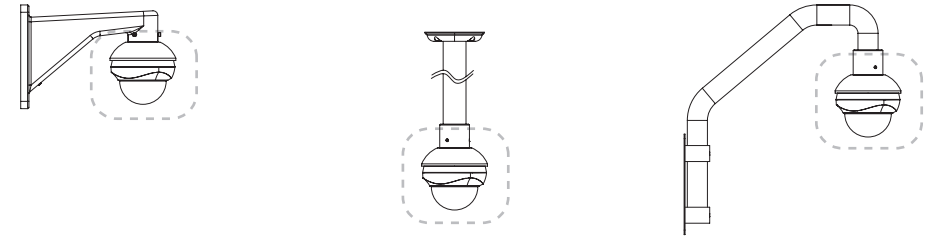
Assemble the camera and the housing. (Align the "FRONT" marks of the housing and the camera assembly for proper camera orientation.)

Assemble the Dome Cover and the camera and tighten three screws.

4

Installation with LCD5's, LND3's, LND5's and LND7's models

Note: LCD5's, LND3's, LND5's and LND7's models are designed for installation in an indoor surveillance system.



1

Insert the Dome Bracket Adaptor to 1.5" NPT screw-thread (female) pipe or to the Wall/Ceiling/Parapet Mount Adaptor (LBK1000W/LBK1000P/LBK1000R) and tighten the three pipe screws.

Warning

Make sure you fix the three pipe screws. If not secured tightly, the Dome Bracket Adaptor may loosen from the Pipe or Adaptor, causing physical damage or malfunction. (Make sure you check the connection between two components before proceeding with the next step.)

Dome Bracket Adaptor (LFL1300)

2

Assemble the camera mounting bracket to the Dome Bracket Adaptor and tighten four screws.

3

Turn the camera clockwise to secure it to the camera mounting bracket. (Align the "FRONT" marks of the camera mounting bracket and the camera assembly for proper camera orientation.)

4

Turn the Dome Cover clockwise to secure it to the camera.