



# INSTALLATION MANUAL

# BUILT-IN OVEN

---



Before beginning installation, read these instructions carefully. This will simplify installation and ensure that the product is installed correctly and safely. Leave these instructions near the product after installation for future reference.

## ENGLISH

WS9D76\*\*\*\*, WS7D76\*\*\*\*, WSED76\*\*\*



MFL72082002  
Rev.01\_050324

[www.lg.com](http://www.lg.com)

Copyright © 2024 LG Electronics Inc. All Rights Reserved.

# TABLE OF CONTENTS

This manual may contain images or content that may be different from the model you purchased.  
This manual is subject to revision by the manufacturer.

## IMPORTANT SAFETY INSTRUCTIONS

**READ ALL INSTRUCTIONS BEFORE USE ..... 3**  
    Safety Messages.....3  
**WARNING ..... 3**  
    Installation .....4

## INSTALLATION

**Before Installing ..... 6**  
    Before Beginning .....6  
    Parts / Tools .....8  
**Installing the Oven and Test Run..... 9**  
    Electrical Connections.....9  
    Ventilation .....10  
    Operation Checklist.....10

# IMPORTANT SAFETY INSTRUCTIONS

## READ ALL INSTRUCTIONS BEFORE USE

### Safety Messages

**Your safety and the safety of others are very important.**

We have provided many important safety messages in this manual and on your appliance. Always read and follow all safety messages.



This is the safety alert symbol.

This symbol alerts you to potential hazards that can kill or injure you and others. All safety messages will follow the safety alert symbol and either the word **WARNING** or **CAUTION**.

These words mean:



#### **WARNING**

You may be killed or seriously injured if you do not follow instructions.



#### **CAUTION**

You may be injured or cause damage to the product if you do not follow instructions.

All safety messages will tell you what the potential hazard is, tell you how to reduce the chance of injury, and tell you what may happen if the instructions are not followed.

## WARNING

### **WARNING**

- The information in this manual should be followed exactly.
  - Failure to do so could result in fire or electrical shock, causing property damage, personal injury or death.
- **DO NOT** put any weight on the oven door. Never allow anyone to climb, sit, stand or hang on the oven door.

### **⚠ WARNING**

- The oven could be tipped and injury might result from contact with hot food or the oven itself.
  - The electrical power must be shut off while the electrical connections are being made.
    - Failure to do so can result in severe personal injury, death or electrical shock.
  - Mounting screws must be used.
    - Failure to do so can result in the oven falling out of the cabinet causing serious injury.
  - To reduce the risk of explosion, fire, death, electric shock, injury or scalding to persons when using this product, follow basic precautions, including the following:
- 

### **Installation**

- Never allow anyone to climb, sit, stand or hang on the oven door. Injury might result from contact with hot food or the oven itself.
- Do not line the oven walls, racks, bottom, or any other part of the oven with aluminum foil or any other material. Doing so will disrupt heat distribution, produce poor baking results and cause permanent damage to the oven interior (aluminum foil will melt to the interior surface of the oven).
- Do not use aluminum foil or any other material to line the oven bottom. Improper installation of oven liners may result in a risk of electric shock or fire.
- Make sure your appliance is properly installed and grounded by a qualified installer, according to the installation instructions. Any adjustment and service should be performed only by qualified installers or service technicians.
- Be certain that all packing materials are removed from the appliance before operating. Keep plastic, clothes, paper, and other flammable materials away from parts of the appliance that may become hot.
- The electrical power must be shut off while the electrical connections are being made.

- Improper connection of aluminum house wiring to copper leads can result in an electrical hazard or fire. Use only connectors designed for joining copper to aluminum and follow the manufacturer's recommended procedure closely.
- Do not open or close the oven door by foot using excessive force.
- Do not obstruct vent hole with tissue.
- Do not use the oven to dry a live animal.
- The appliance must not be installed behind a decorative door in order to avoid overheating.
- Do not install the appliance on the floor.
- Ensure that the appliance is switched off before replacing the lamp to avoid the possibility of electric shock.

# INSTALLATION

## Before Installing

### Before Beginning

Remove all tape and packing materials before using the oven. Dispose of all plastic bags after unpacking the oven.

Never allow children to play with packing materials

---

### **⚠ CAUTION**

- Make sure the cabinets and wall coverings around the oven can withstand the temperature (up to 95 °C) generated by the oven.
- Fronts of nearby units up to at least 70 °C.
  - Discoloration, delamination or melting may occur.
- During installation, ensure that no persons can come into contact with live components.
- The oven must be installed by a qualified professional electrician, in accordance with the corresponding regulations and standards.
- The oven is a heavy appliance and must be transported with great care.
- Before initial use, remove all packaging, both external and from inside the appliance.
- No modification may be made to the oven's technical characteristics.
- The integrated cooking area or hotplates is/are provided with special connections. These may only be attached to the appropriate corresponding connections of the same type.

---

### **NOTE**

This installation must be completed by a qualified installer or technician.

Proper installation is the responsibility of the installer and product failure due to improper installation is NOT covered under warranty.

- Consumer: please read and keep these instructions for future reference and be sure to read the entire OWNER'S MANUAL prior to use.

- Do not use the parts except for provided components when you install the product.
- Make sure the oven is flush with the front of the enclosure.
- A malfunction can occur if the steam oven is not correctly aligned. For correct functioning of the steam generator please make sure that the steam oven is horizontally level. (On some models)
- When mounting into a built-in cabinet, decide the dimension of the built-in cabinet's depth so that the offset between door glass face and front surface of the left and right side furniture will be less than 1 mm. The oven must only be installed in an open cabinet or alcove and have the required ventilation clearances.

---

### **Installation Information**

The first step of the installation is measure the current cutout dimensions and compare them to the cutout dimensions shown below. Little or no cabinet work may be necessary.

---

### **NOTE**

Make sure the base is level and the front of the cabinet is square. If the cabinet base is not level, the oven glides will tend to slide out when opening the door.

- To lift oven, use side holes of the oven.
  - Kitchen cabinets in contact with the oven must be heat resistant up to 95 °C, and fronts of nearby units up to at least 70 °C.
  - Do not install dishwasher under the oven.
  - Do not install the product on the floor.
-

Installation Drawings (For 24" Single Built-in Oven)

Built-in Cabinet	Under-sink Cabinet	Product

**NOTE**

- P: Back of the kitchen cabinet
- R: Side of the kitchen cabinet
- Q: Ventilation space

If desired, create the holes with P and R to allow the power lines to pass through the cabinet.

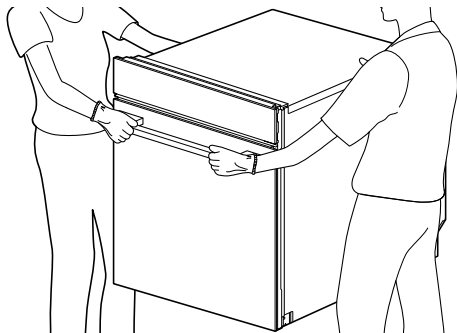
	Built-in Cabinet	Under-sink Cabinet	Product
Cutout Depth	min. 556	min. 556	549
Cutout Width	min. 560	min. 560	558
Cutout Height	min. 590	min. 600	579

## 8 INSTALLATION

### Moving the Oven

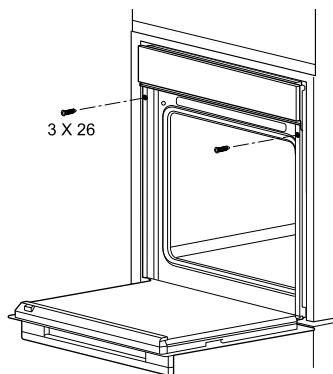
Have two or more people lift the oven using the handles on the sides of the oven.

To avoid injury, always wear safety gloves when you move the appliance. Always be careful as cabinet panels may have sharp edges.

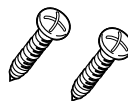


### Screw Fastening

Secure the oven to the cabinet mounts with the 2 wood screws provided as part of the final steps after all electrical connections have been terminated at the rear of the oven.



### Materials Included



①

- ① 3 X 26 (2 Wood Screws For Mounting)

### Required Tools



①

- ① Phillips screwdriver

### Parts / Tools

#### **⚠ WARNING**

- Mounting screws must be used. Failure to do so can result in the oven falling out of the cabinet and causing serious injury.

# Installing the Oven and Test Run

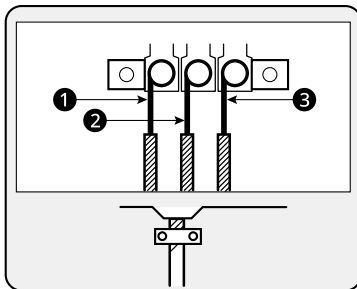
## Electrical Connections

### 3-Wire Circuit Connection

The oven must be connected by a licensed specialist in accordance with these instructions and in compliance with local regulations. Make sure the voltage shown on the rating label is the same as the power supply voltage in your home.

The oven must be connected to the power supply by means of an all-pole disconnect switch with a minimum contact gap of 3 mm and must be connected to earthed socket by law. The supply disconnect (isolation) switch shall be accessible after the installation. The oven's components operate at 230 V / 16 A. Identify the phase and neutral conductor on the supply lead before making connection. Incorrect connection may damage the oven.

Connect the oven to the power supply.



- ① Live
- ② Neutral
- ③ Earth

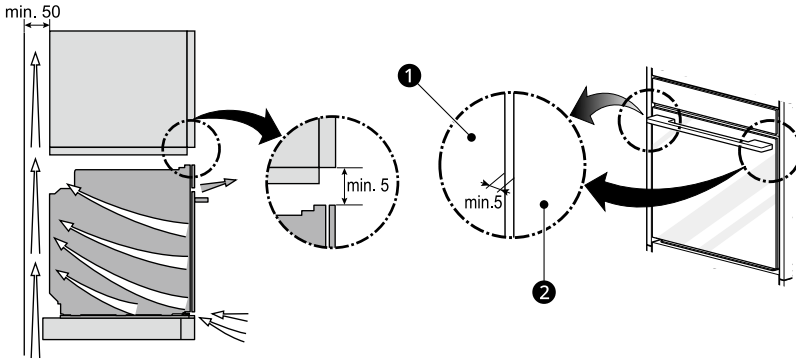
## NOTE

- Connect the green and yellow ground wire to the right terminal pole, the live brown or red wire to the left terminal pole, and the neutral blue or black wire to the center terminal pole.

## Ventilation

### For Ventilation

For correct ventilation, the ventilation opening of 50 mm should be required between the back wall and the floor of the installation cabinet, the ventilation gap of 5 mm is required between the oven top rim and the furniture lower rim, and between the oven both sides rim and the side cabinet, these openings must not be closed by any way. So ensure that the sides are not touching the front edges of the housing.



- ① Oven
- ② Close kitchen cabinet or appliance.

## Operation Checklist

Each of the functions has been factory checked before shipping. However, it is suggested that you verify the operation of the oven once more. Refer to the Owner's Manual. Follow the instructions for the basic check.

- 1 Turn on power supply.
  - The initial signal sound is heard and startup animation or the clock appears in the display.
- 2 Check the operation of the Hot air mode.
 

Touch Start. The oven starts to preheat. Check the convection fan operation. Convection fan is in the back wall.

A chime sounds once preheating is complete. Touch STOP.

  - Cooking compartment does not heat.
    - Make sure demo mode icon("Demo or D") shown in the display. When the demo mode on, the appliance will not heat up. Deactivate the mode before using the oven. Refer to the Owner's Manual to deactivate the mode.
- 3 Check the operation of the Grilling mode.
  - Select Large grill, and then set the desired temperature: Low, Medium, or High.
  - Touch Start. The oven door must be closed to use the Grilling function. Touch STOP to cancel at any time.
- 4 Turn then oven light on and off to check the lights are in normal condition.

### NOTE

- A small amount of smoke and odor may be noticeable during the initial break-in period.
- If the oven does not operate properly see the Owner's Manual for the troubleshooting list. The

---

list includes common occurrences that are not the result of defective workmanship or materials in this product. If the problem occurs continuously, contact the dealer.

- Refer to the warranty in the Warranty Card for the LG toll-free service number and address.
  - This manual may contain images or content that may be different from the model you purchased.
  - This manual is subject to revision by the manufacturer.
-

