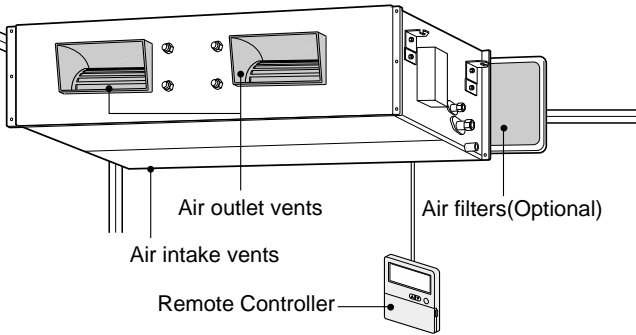


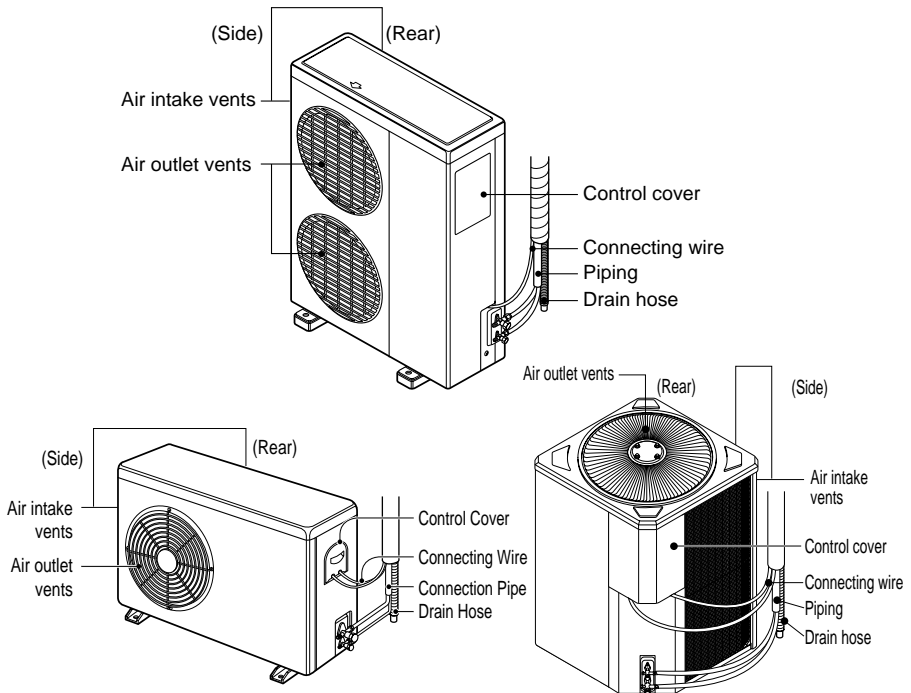
CEILING DUCT TYPE AIR CONDITIONERS INSTALLATION INSTRUCTIONS

- Please read this instruction sheet completely before installing the product.
- When the power cord is wanted to replace, replacement work shall be performed by authorized personnel only.
- Installation work must be performed in accordance with national wiring standards by authorized personnel only.

Indoor Unit



Outdoor Unit



OUT-LINE OF INSTALLATION

1. The following should be always observed for safety3

Installation works	Installation Parts	Required tools
--------------------	--------------------	----------------

2. Installation of Indoor, Outdoor unit

- | | | |
|---|--|--|
| <ul style="list-style-type: none"> 1) Selection of the best location.....4 2) Indoor unit installation....5 | <ul style="list-style-type: none"> • Four Type "A" screws • Connecting cable | <ul style="list-style-type: none"> • Level • Screw driver • Electric drill • Hole core drill (ø70mm) |
|---|--|--|

3. Connecting Pipes to the Indoor Unit

- | | | |
|---|--|---|
| <ul style="list-style-type: none"> 1) Preparation of Piping...12 | <ul style="list-style-type: none"> • Pipes: Gas side$\frac{1}{2}$" , $\frac{5}{8}$" , $\frac{3}{4}$" <li style="padding-left: 20px;">Liquid side$\frac{1}{4}$" , $\frac{3}{8}$" , $\frac{1}{2}$" • Insulated drain hose • Insulation materials | <ul style="list-style-type: none"> • Flaring Tools set |
|---|--|---|

4. Connecting Pipes to the Outdoor Unit

- | | |
|---|--|
| <ul style="list-style-type: none"> 1) Connecting the pipes to the Outdoor Unit14 | <ul style="list-style-type: none"> • Additional Drain hose (Inner Dia.....25mm) |
|---|--|

5. Checking the Drainage14

6. Connecting Cables between Indoor Unit and Outdoor Unit

- | | |
|---|--|
| <ul style="list-style-type: none"> 1) Connecting cables to the Indoor Unit15 2) Connecting cables to the Outdoor Unit16 3) Form the pipings.....17 | <ul style="list-style-type: none"> • Screw driver |
|---|--|

7. Air Purging of the Connecting Pipes and the Indoor Unit18

- Hexagonal Wrench (4mm/5mm)
- Gas-leak Detector

8. Group Control19

9. Two Thermistor System19

10. High-Static Motor Connection (For 60K/48K Model)19

11. External Static Pressure & Air Flow20

1. The following should be always observed for safety

- Please report to or take consent by the supply authority before connecting to the system.
- Be sure to read "THE FOLLOWING SHOULD BE ALWAYS OBSERVED FOR SAFETY" before installing the air conditioner.
- Be sure to observe the cautions specified here as they include important items related to safety.
- The indications and meanings are as follows.

	WARNING	Could lead to death, serious injury, etc.
	CAUTION	Could lead to serious injury in particular environments when operated incorrectly.

- After reading this manual, be sure to keep it together with the instruction manual in a handy place .

WARNING

Do not install it yourself (customer).

- Incomplete installation could cause injury due to fire, electric shock, the unit falling or a leakage of water. Consult the dealer from whom you purchased the unit or special installer.

Install the unit securely in a place which can bear the weight of the unit.

- When installed in an insufficient strong place, the unit could fall causing injured.

Use the specified wires to connect the indoor and the outdoor units securely and attach the wires firmly to the terminal board connecting sections so the stress of the wires is not applied to the sections.

- Incomplete connecting and fixing could cause fire.

Check that the refrigerant gas do not leak after installation is completed.

Perform the installation securely referring to the installation manual.

- Incomplete installation could cause a personal injury due to fire, electric shock, the unit falling or a leakage of water.

Perform electrical work according to the installation manual and be sure to use an exclusive circuit.

- If the capacity of the power circuit is insufficient or there is incomplete electrical work, it could result in a fire or an electric shock.

Attach the electrical part cover to the indoor unit and the service panel to the outdoor unit securely.

- If the electrical part cover if the indoor unit and/or the service panel if the outdoor unit are not attached securely, it could result in a fire or electric shock due to dust, water, etc.

Be sure to use the part provided or specified parts for the installation work.

- The use of defective parts could cause an injury or leakage of water due to a fire, electric shock, the unit falling, etc.

CAUTION

Perform the drainage/piping work securely according to the installation manual.

- If there is a defect in the drainage/piping work, water could drop from the unit and household goods could be wet and damaged.

Do not install the unit in a place where an inflammable gas leaks.

- If gas leaks and accumulates in the area surrounding the unit, it could cause an explosion.

2. Installation of Indoor, Outdoor Unit

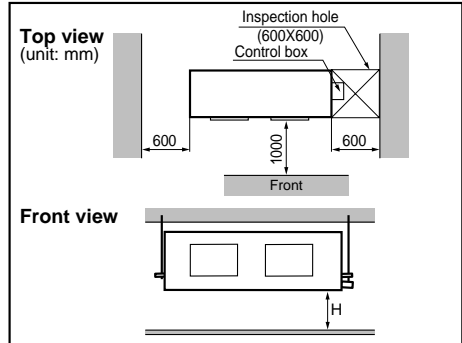
1. Selection of the best location

1) Indoor unit

Select location

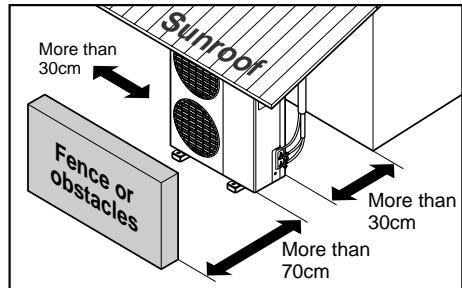
Install the air conditioner in the location that satisfies the following conditions.

- The place shall easily bear a load exceeding four times the indoor unit's weight.
- The place shall be able to inspect the unit as the figure.
- The place where the unit shall be leveled.
- The place shall allow easy water drainage. (Suitable dimension "H" is necessary to get a slope to drain as figure.)
- The place shall easily connect with the outdoor unit.
- The place where the unit is not affected by an electrical noise.
- The place where air circulation in the room will be good.
- There should not be any heat source or steam near the unit



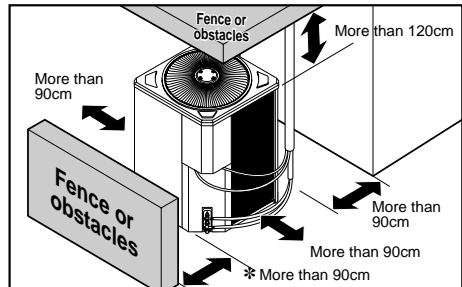
2) Outdoor unit

- If an awning is built over the unit to prevent direct sunlight or rain exposure, be careful that heat radiation from the condenser is not restricted.
- There should not be any animals or plants which could be affected by hot air discharged.
- Ensure the spaces indicated by arrows from the wall, ceiling, fence or other obstacles.



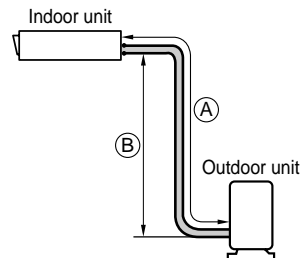
Following descriptions are for the Top Discharge Type outdoor unit.

- Before installation, separate a pallet from the bottom of outdoor unit.
- 120 cm clearance required on top of unit.
- 60 cm clearance required between units for proper airflow.
- * One side must be 90cm for service.
Two of the remaining three sides may be 30cm.



3) Piping length and the elevation

Capacity	Pipe Size (Diameter: Ø)		Length A(m)		Elevation B(m)		*Additional refrigerant (g/m)
	Gas	Liquid	Standard	Max.	Standard	Max.	
18K BTU/h(50Hz)	5/8"	1/4"	7.5	50	5	30	25
24K H/P BTU/h C/O	5/8"	1/4"	7.5	50	5	30	30
30K BTU/h	5/8"	3/8"	7.5	50	5	30	25
36K BTU/h	5/8"	3/8"	7.5	50	5	30	50
42K/48K BTU/h	5/8"	3/8"	7.5	50	5	30	40
48K BTU/h (LB-E4882CL)	3/4"	3/8"	7.5	50	5	30	50
60K BTU/h (LB-E6082CL)	3/4"	3/8"	7.5	30	5	30	100
60K BTU/h (LB-E6081)	3/4"	1/2"	7.5	30	5	30	100
60K BTU/h (LB-E6081)	3/4"	1/2"	7.5	50	5	30	60



- If 18K Model is installed at a distance of 15m, 188g of refrigerant should be added $(15-7.5) \times 25g = 188g$
- Capacity is based on standard length and maximum allowance length is on the basis of reliability.

2. Indoor unit installation

■ Installation of Unit

Install the unit above the ceiling correctly.

CASE 1

POSITION OF SUSPENSION BOLT

- Apply a joint-canvas between the unit and duct to absorb unnecessary vibration.
- Apply a filter Accessory at air return hole.

(Unit:mm)

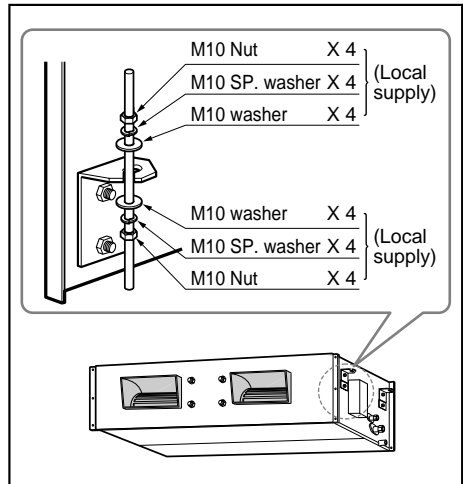
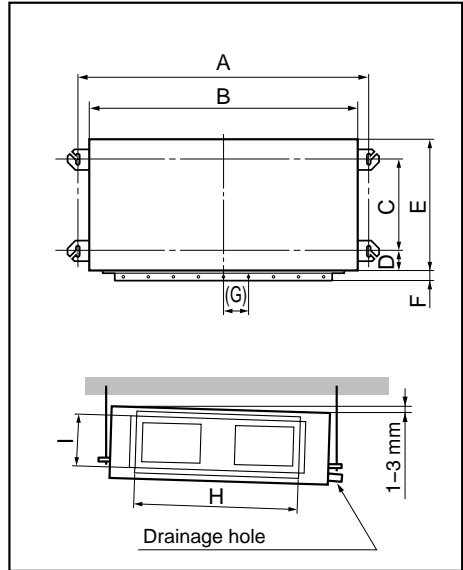
Dimension Capacity	A	B	C	D	E	F	(G)	H	I
18K BTU/h	942	880	466	54	575	30	87	750	186
24K BTU/h	942	880	466	54	575	30	87	750	186
30K BTU/h	1242	1180	492	54	600	30	87	830	186
36K BTU/h (LB-C36)	1072	1010	492	54	600	30	87	750	186
36K BTU/h (LB-F36)	1242	1180	492	54	600	30	87	830	186
42K BTU/h	1242	1180	492	54	600	30	87	830	186
48K BTU/h (LB-B48)	1292	1230	650.5	54	760	30	120	1006	294
48K BTU/h (LB-E48)	1292	1230	570.5	54	680	30	120	1006	294
60K BTU/h (LB-B60)	1292	1230	650.5	54	760	30	120	1006	294
60K BTU/h (LB-E60)	1292	1230	570.5	54	680	30	120	1006	294

CASE 2

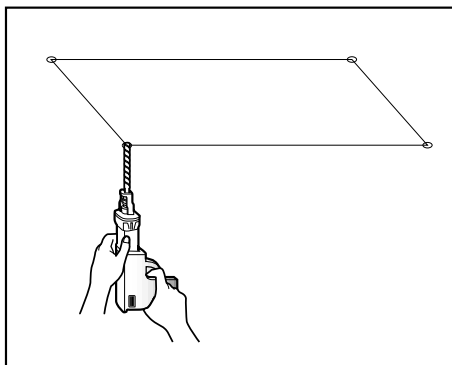
- Install the unit leaning to a drainage hole side as a figure for easy water drainage.

POSITION OF CONSOLE BOLT

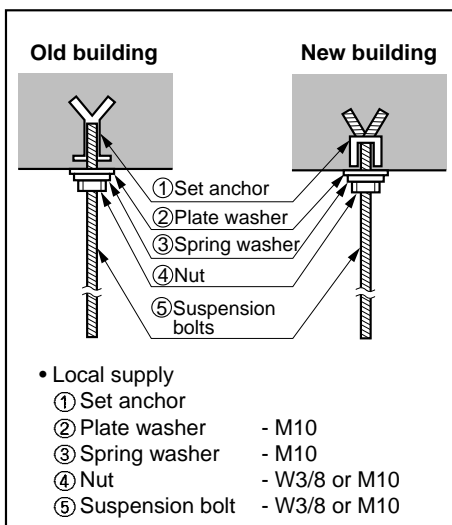
- A place where the unit will be leveled and that can support the weight of the unit.
- A place where the unit can withstand its vibration.
- A place where service can be easily performed.



- Select and mark the position for fixing bolts.
- Drill the hole for set anchor on the face of ceiling.



- Insert the set anchor and washer onto the suspension bolts for locking the suspension bolts on the ceiling.
- Mount the suspension bolts to the set anchor firmly.
- Secure the installation plates onto the suspension bolts (adjust level roughly) using nuts, washers and spring washers.



CAUTION

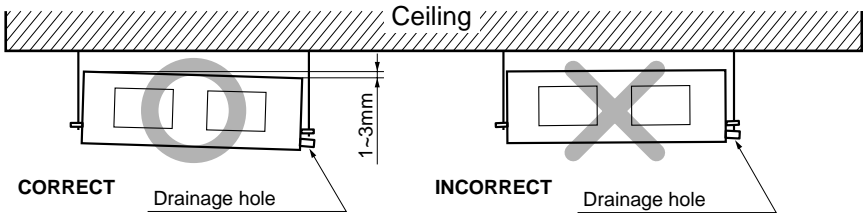
Tighten the nut and bolt to prevent unit falling

CAUTION

1. **Install declination** of the indoor unit is very **important for the drain** of the duct type air conditioner.
2. Minimum thickness of the insulation for the connecting pipe shall be 5mm.

Front of view

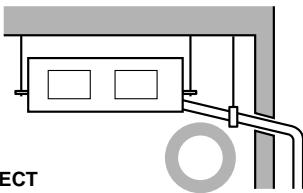
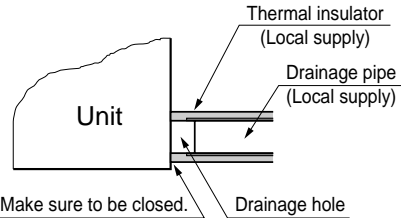
- The unit must be horizontal or declined to the drain hose connected when finished installation.



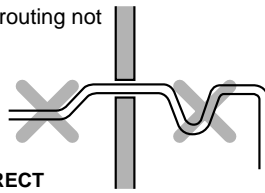
CAUTION FOR GRADIENT OF UNIT AND DRAIN PIPING

Lay the drain hose with a downware inclination so water will drain out.

- Always lay the drain with downward inclination (1/50 to 1/100). Prevent any upward flow or reverse flow in any part.
- 5mm or thicker formed thermal insulator shall always be provided for the drain pipe.



- Upward routing not allowed

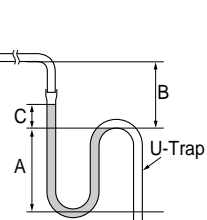


CORRECT

INCORRECT

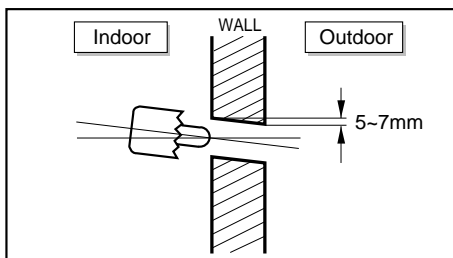
Applied U-Trap Dimension

- $A \geq 70\text{mm}$
- $B \geq 2C$
- $C \geq 2 \times \text{SP}$
- SP = External Pressure (mmAq)
- Ex) External Pressure = 10mmAq
- $A \geq 70\text{mm}$
- $B \geq 40\text{mm}$
- $C \geq 20\text{mm}$



- Install the P-Trap (or U-Trap) to prevent a water leakage caused by the blocking of intake air filter.

- Drill the piping hole with 70mm dia, hole core drill.
- Piping hole should be slightly slant to the outdoor side.



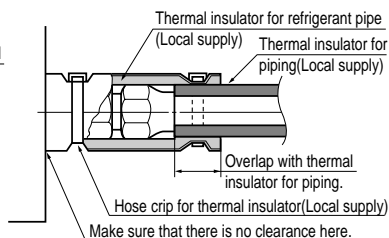
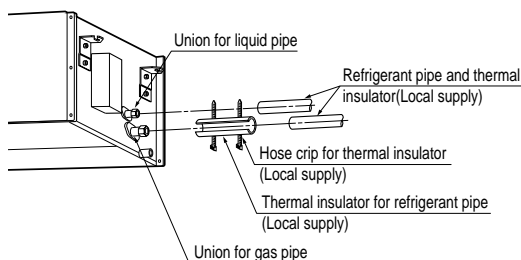
INSULATION, OTHERS

Insulate the joint and tubes completely.

THERMAL INSULATION

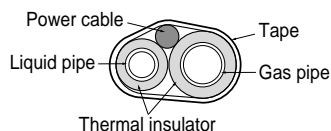
All thermal insulation must comply with local requirement.

INDOOR UNIT



REFRIGERANT PIPE

- Insulate and tape both the gas piping and liquid piping.



TEST AND CHECK

■ After all workings are finished, check the working and operation.

- Air distribution ——— Is the air circulation good?
- Drain ——— Is the drainage smoothly and no sweating?
- Gas leakage ——— Is the piping connection correctly?
- Wiring ——— Is the wiring connection correctly?
- Lock-bolt ——— Is the lock-bolt of compressor loosened?

INSTALLATION OF REMOTE CONTROL BOX

Install the remote control box and cord correctly.

POINT OF REMOTE CONTROLLER INSTALLATION

- Although the room temperature sensor is in the indoor unit, the remote control box should be installed in such places away from direct sunlight and high humidity.

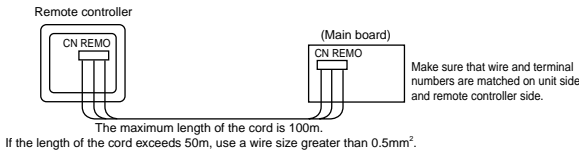
INSTALLATION OF THE REMOTE CONTROL BOX

- Select places that is not splashed by water.
- Select control position after receiving customer approval.
- The room temperature sensor of the thermostat for temperature control is built in the indoor unit.
- This remote controller equipped with liquid crystal display. If this position is higher or lower, display is difficult to see. (The standard height is 1.2~1.5m high)

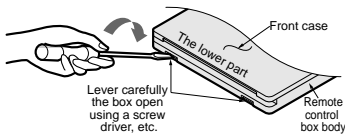
ROUTING OF THE REMOTE CONTROL CORD

- Keep the remote control cord away from the refrigerant piping and the drain piping.
- To protect the remote control cord from electrical noise, place the cord at least 5cm away from other power cables. (Audio equipment, Television set, etc)
- If the remote control cord is secured to a wall, provide a trap at the top of the cord to prevent water droplets from running.

ELECTRICAL WIRING TO THE INDOOR UNIT



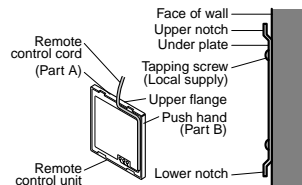
DISASSEMBLING OF THE REMOTE CONTROLLER



WHEN THE REMOTE CONTROL BOX IS INSTALLED WITH THE CORD EXPOSED.

PROCEDURE OF INSTALLATION

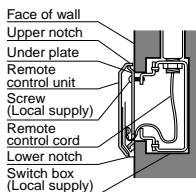
1. Fix the under plate on the wall by self tapping screws (accessory).
2. Make a slit (Part A) at the top side of the remote control box by nipper.
3. Rout the cord as shown in the following figure. In this case, push the cord into the around of case (Part B).
4. Hook the remote control unit on the under plate.



WHEN THE REMOTE CONTROL BOX IS INSTALLED WITH THE CORD BURIED.

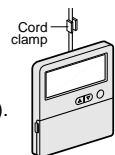
PROCEDURE OF INSTALLATION

1. Fix the under plate on the switch box by screws (Local supply). In this case, fit the under plate on the wall, and be careful of deformation.
2. Receive the remote control cord in the switch box.
3. Hook the remote control unit on the under plate.



FIXING OF REMOTE CONTROL CORD

1. Fix the cord clamps on the wall by $\varnothing 3$ tapping screws (Local supply).
2. Fix the remote control cord.



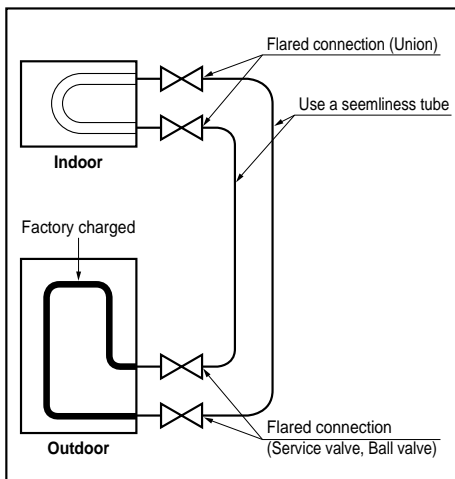
REFRIGERANT PIPING

Perform the work according to the Service Manual or Installation Guide.

- Use two spanners when connect the refrigerant pipe to the unit.
- Make a bend with a radius as large as possible.
- Perform air purge with R-22 or vacuum drying.
- When piping work is finished, check all joints.

■ Add refrigerant if piping is over 7.5m.

Capacity	Addition volume	
18K BTU/h	25 g/m	
24K BTU/h	H/P	30 g/m
	C/O	25 g/m
30K BTU/h	50 g/m	
36K BTU/h	40 g/m	
42K/48K BTU/h	50 g/m	
48K BTU/h (LB-E4882CL)	100 g/m	
60K BTU/h (LB-E6082CL)	100 g/m	
60K BTU/h (LB-E6081)	60 g/m	



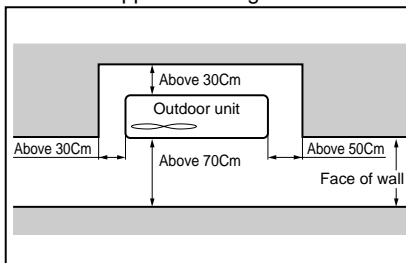
INSTALLATION OF OUT DOOR UNIT

Select a location that satisfies the following conditions. Install the unit firmly in place.

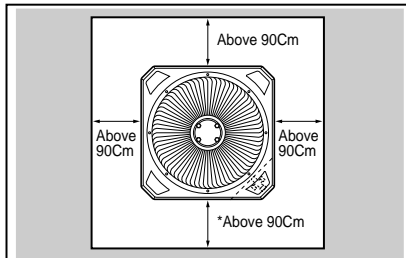
■ Select the following location

- A place where the air conditioner can get good ventilation.
- A place where it shall not annoy the neighbors.
- A place where the unit shall be leveled and that can support the weight of unit and withstand its vibrations.

■ Keep a maintenance space



* One side must be 90Cm for service.
Two of the remaining three sides may be 30Cm.



ELECTRICAL WIRING

Perform the electrical wiring work according to the electrical wiring connection.

- All wiring must comply with local requirements.
- Select a power source that is capable of supplying the current required by the air conditioner.
- Use a recognized circuit breaker between the power source and the unit. A disconnection device to adequately disconnect all supply lines must be fitted.

- Capacity of circuit breaker

Capacity	1 Phase	3 Phase
18K BTU/h	20A	-
24K BTU/h	25A	-
30K BTU/h	14A	-
36K BTU/h	35A	25A
42K BTU/h	25A	-
48K BTU/h	-	25A
60K BTU/h	-	25A

WIRING CONNECTION

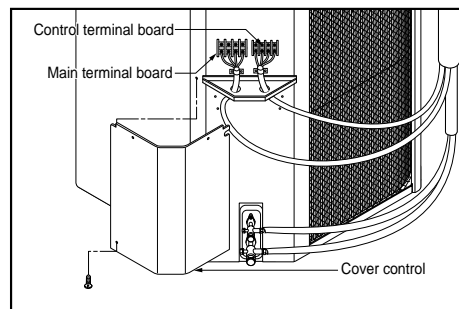
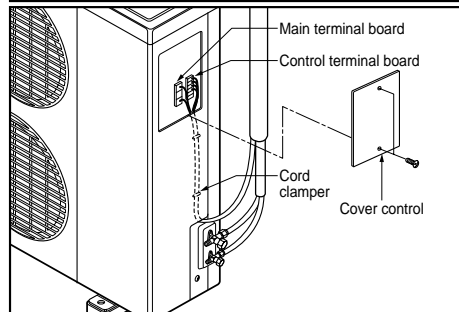
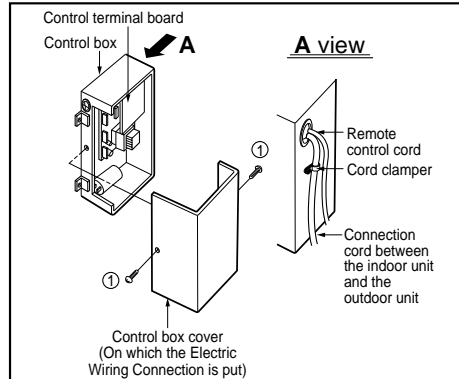
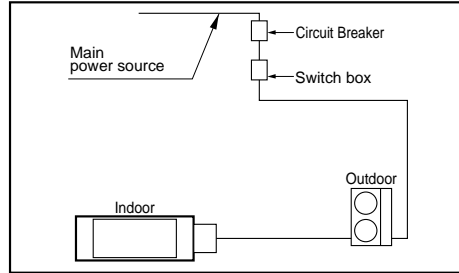
INDOOR UNIT

- Remove the control box cover for electrical connection between the indoor and outdoor unit. (Remove two screws ①.)
- Use the cord clamper to fix the cord.

OUTDOOR UNIT

- Remove the control cover for wiring connection.
- Use the cord clamper to fix the cord.
- Earthing work
Connect the cable of diameter 1.6mm² or more to the earthing terminal provided in the control box and do earthing.

※ **Please check !!**



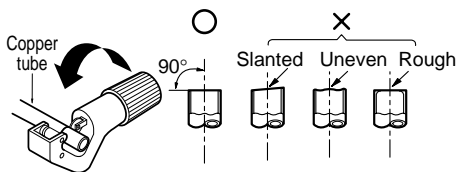
3. Connecting Pipes to the Indoor Unit

3-1. Preparation of Piping

Main cause of gas leakage is defect in flaring work. Carry out correct flaring work in the following procedure.

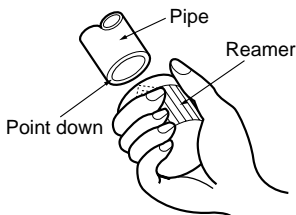
1) Cut the pipes and the cable.

- Use the accessory piping kit or the pipes purchased locally.
- Measure the distance between the indoor and the outdoor unit.
- Cut the pipes a little longer than measured distance.
- Cut the cable 1.5m longer than the pipe length.



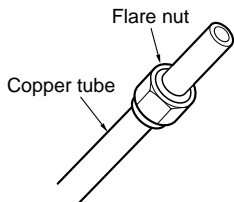
2) Burrs removal

- Completely remove all burrs from the cut cross section of pipe/tube.
- Put the end of the copper tube/pipe to downward direction as you remove burrs in order to avoid to let burrs drop in the tubing.



3) Putting nut on

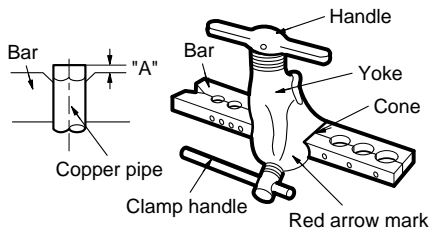
- Remove flare nuts attached to indoor and outdoor units, than put them on pipe/tube having completed burr removal.
- (Not possible to put them on after flaring work)



4) Flaring work

- Carry out flaring work using flaring tool as shown below.

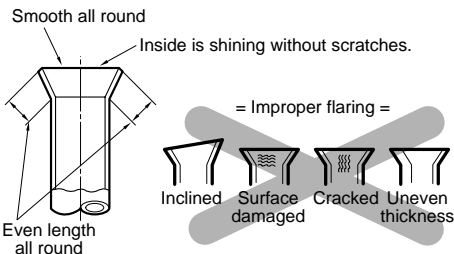
Capacity	Outside Diameter		" A "	
	Gas	Liquid	Gas	Liquid
18K BTU/h(50Hz)	5/8"	1/4"	0.8~1.0	0~0.5
24K BTU/h	5/8"	1/4"	0.8~1.0	0~0.5
30K/36K BTU/h	5/8"	3/8"	0.8~1.0	0.5~0.8
42K/48K BTU/h	3/4"	3/8"	1.0~1.3	0.5~0.8
60K BTU/h(50Hz)	3/4"	1/2"	1.0~1.3	0.5~0.8



Firmly hold copper tube in a bar(or die) as indicated dimension in the table above.

5) Check

- Compare the flared work with figure.
- If flare is noted to be defective, cut off the flared section and do flaring work again.



6) Pipe bending

Annealed copper pipe with small diameter ($\varnothing 6.35$ or $\varnothing 9.52$) can be easily bent manually. In this case, secure large R(radius) for the bend section and gradually bend pipe. If annealed copper pipe is large in diameter ($\varnothing 15.88$ or $\varnothing 19.05$), bend pipe with bender. Use bender appropriate for the pipe diameter.

7) Brazing

In refrigerant piping, bending (in particular, acute bending) must be minimized to reduce piping resistance. Bending is, however, necessary in some places by virtue of the installation position of devices auxiliary to the packaged air conditioner, or of the building structure, piping distance or finishing appearance. If a more acute bend is required than that attainable by pipe bender, perform brazing using ready-made elbow. Aside from this function, brazing also serves to connect straight pipes, generally using ready-made sockets. While brazing, protect piping against heat with wet cloth to avoid damaging valve packing or burning thermal insulator with burner heat. While brazing, blow inert gas (nitrogen gas or carbonic gas) to prevent formation of oxidation film in copper piping; otherwise, the refrigerant circuit will clog. The blowing of nitrogen gas (or carbonic gas) through 3-way valves is described in the following:

8) Refrigerant piping(Flare piping)

When connecting piping, be sure to keep piping dry(keep piping away from water), clean (keep piping away from dust) and airtight (avoid refrigerant leakage).

When connecting piping on rainy days or making a through-hall in wall, take due care to prevent water or plaster from entering piping.

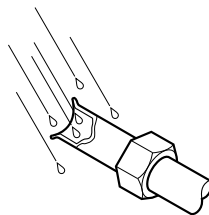


CAUTION

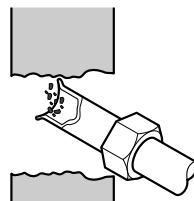
- a. This procedure is designed to prevent formation of oxidation film by filling piping with inert gas. Note that excessive gas pressure will generate pinholes at brazed points.

(Nitrogen gas: Supply pressure
0.05~0.1kg/cm²G)

- b. When supplying inert gas, be sure to open one end of piping.



Water enters



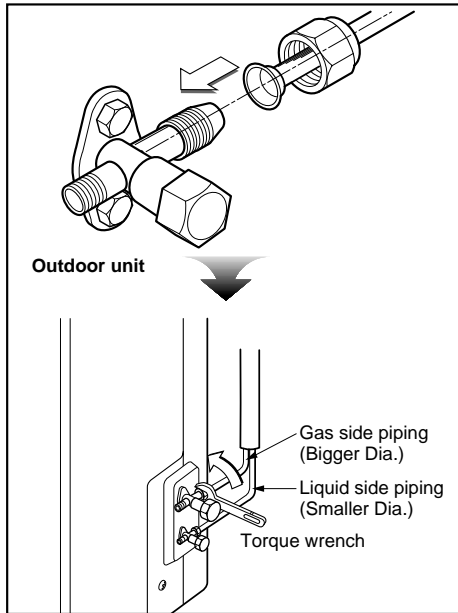
Plaster enters

4. Connecting Pipes to the Outdoor Unit

1) Connecting the pipes to the Outdoor unit

1. Align the center of the pipings and sufficiently tighten the flare nut with fingers.
2. Finally, tighten the flare nut with torque wrench until the wrench clicks.
 - When tightening the flare nut with torque wrench, ensure the direction for tightening follows the arrow on the wrench.

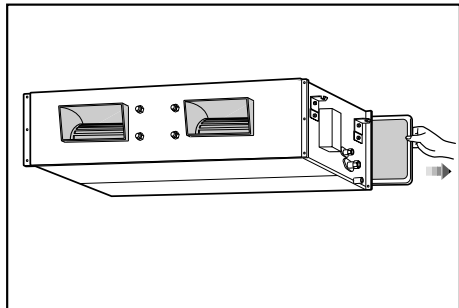
Pipe size		Torque
Liquid Side	1/4"	1.8kg.m
	3/8"	4.2kg.m
	1/2"	5.5kg.m
Gas Side	1/2"	5.5kg.m
	5/8"	6.6kg.m
	3/4"	6.6kg.m



5. Checking the Drainage

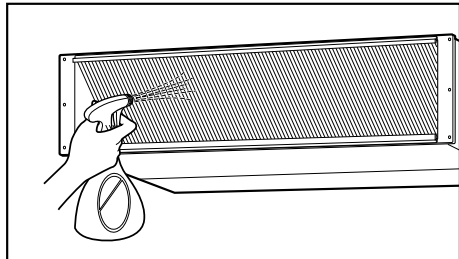
1) Checking the Drainage

1. Remove the Air Filter.



2. Check the drainage.

- Spray one or two glasses of water upon the evaporator.
- Ensure that water flows drain hose of indoor unit without any leakage.



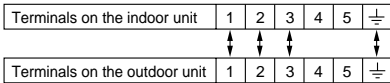
6. Connecting Cables between Indoor Unit and Outdoor Unit

1) Connecting cables to the Indoor Unit

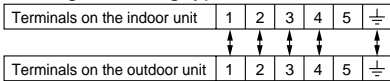
- Connect the wires to the terminals on the control board individually according to the outdoor unit connection.
- Ensure that the color of the wires of outdoor unit and the terminal No. are the same as those of indoor unit respectively

■ 36K/42K/48K/60K Btu

• Cooling only type

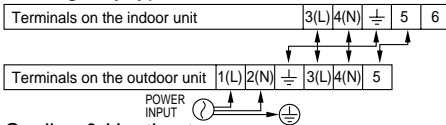


• Cooling & Heating type

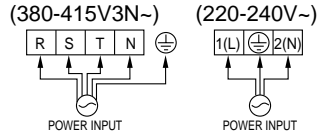
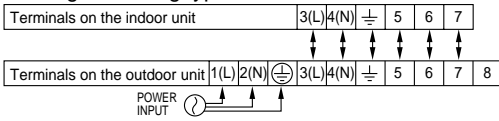


■ 24K/18K Btu

• Cooling only type

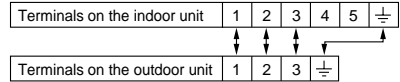


• Cooling & Heating type



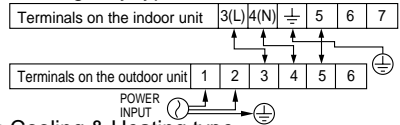
■ 48K Btu(LB-E4882CL)/60K Btu(LB-E6082CL)

• Cooling only type

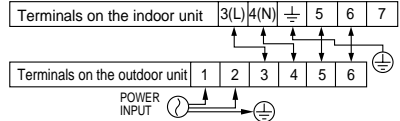


■ 30K Btu

• Cooling only type

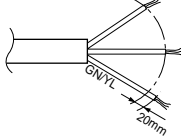


• Cooling & Heating type



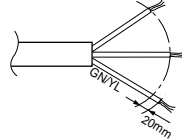
CAUTION

The power cord connected to the outdoor unit should be complied with the following specifications (Rubber insulation, type H05RN-F approved by HAR or SAA).



Capacity	NORMAL CROSS-SECTIONAL AREA	
	1 Phase	3 Phase
18K BTU/h	2.5mm ²	-
24K BTU/h	2.5mm ²	-
30K BTU/h	3.3mm ²	-
36K BTU/h	5.5mm ²	2.5mm ²
42K BTU/h	8.5mm ²	-
48K BTU/h	-	3.5mm ²
60K BTU/h	-	3.5mm ²

The connecting cable connected to the indoor and outdoor unit should be complied with the following specifications (Rubber insulation, type H05RN-F approved by HAR or SAA).



NORMAL CROSS-SECTIONAL AREA

If the supply cord is damaged, it must be replaced by a special cord or assembly available from the manufacturer of its service agent.

WARNING

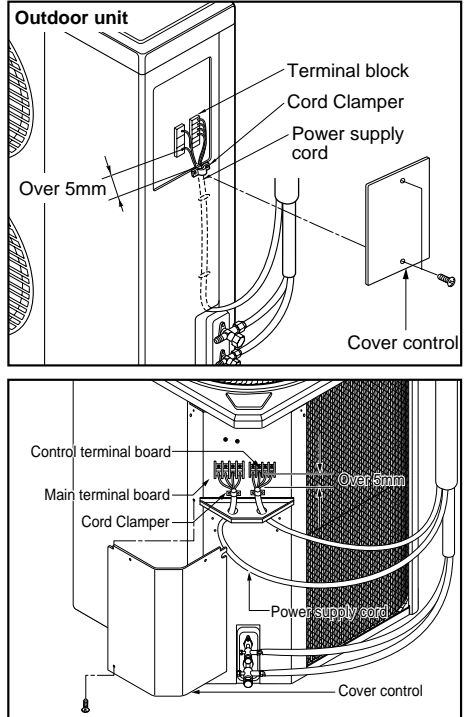
Make sure that the screws of the terminal are free from looseness.

2) Clamping of cables

- 1) Arrange 2 power cables on the control panel.
- 2) First, fasten the steel clamp with a screw to the inner boss of control panel.
- 3) For the cooling model, fix the other side of the clamp with a screw strongly. For the heat pump model, put the 0.75mm² cable(thinner cable) on the clamp and tighten it with a plastic clamp to the other boss of the control panel.
- 4) In Australia, the length of power supply cord measured from the entry of the power supply cord to the middle of live pin on the power plug should be over 1.8m.

3) Connecting the cable to the Outdoor Unit

1. Remove the Cover control from the unit by loosening a screw.
Connect the wires to the terminals on the control board individually as following.
2. Secure the cable onto the control board with the holder (clammer).
3. Refix the cover control to the original position with the screw.



CAUTION

After the confirmation of the above conditions, prepare the wiring as follows:

- 1) **Never fail to have an individual power specialized for the air conditioner. As for the method of wiring, be guided by the circuit diagram pasted on the inside of control box cover.**
- 2) **Provide a circuit breaker switch between power source and the unit.**
- 3) **The screw which fasten the wiring in the casing of electrical fittings are liable to come loose from vibrations to which the unit is subjected during the course of transportation. Check them and make sure that they are all tightly fastened. (If they are loose, it could give rise to burn-out of the wires.)**
- 4) **Specification of power source**
- 5) **Confirm that electrical capacity is sufficient.**
- 6) **Be sure that the starting voltage is maintained at more than 90 percent of the rated voltage marked on the name plate.**
- 7) **Confirm that the cable thickness is as specified in the power sources specification. (Particularly note the relation between cable length and thickness.)**
- 8) **Never fail to equip a leakage breaker where it is wet or moist.**
- 9) **The following troubles would be caused by voltage drop-down.**
 - Vibration of a magnetic switch, damage on the contact point there of, fuse breaking, disturbance to the normal function of a overload protection device.
 - Proper starting power is not given to the compressor.

4) Form the pipings

1. **Wrap the connecting portion of indoor unit with the Insulation material and secure it with two Plastic Bands. (for the right pipings)**

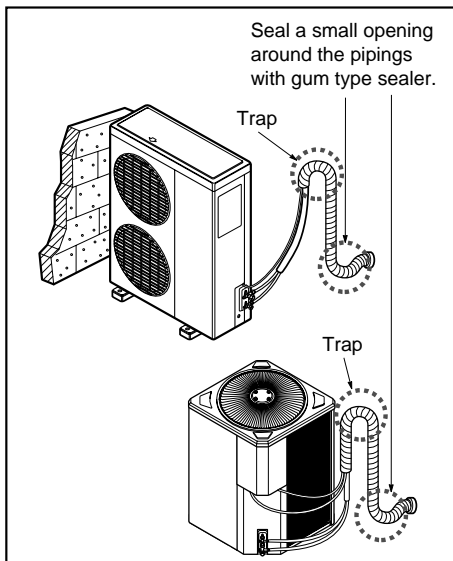
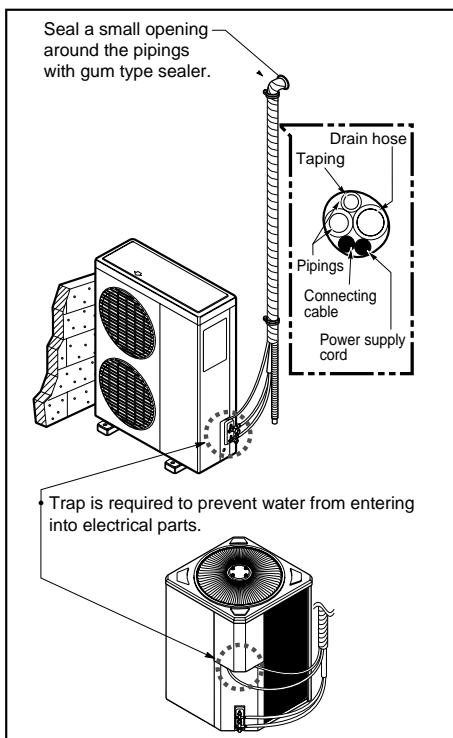
- If you want to connect an additional drain hose, the end of the drain-outlet should keep distance from the ground. (Do not dip it into water, and fix it on the wall to avoid swinging in the wind.)

In case of the Outdoor unit being installed below position of the Indoor unit.

2. **Tape the Pipings, drain hose and Connecting Cable from bottom to top.**
3. **Form the pipings gathered by taping along the exterior wall and fix it onto the wall by saddle or equivalent.**

In case of the Outdoor Unit being installed above position of the Indoor Unit.

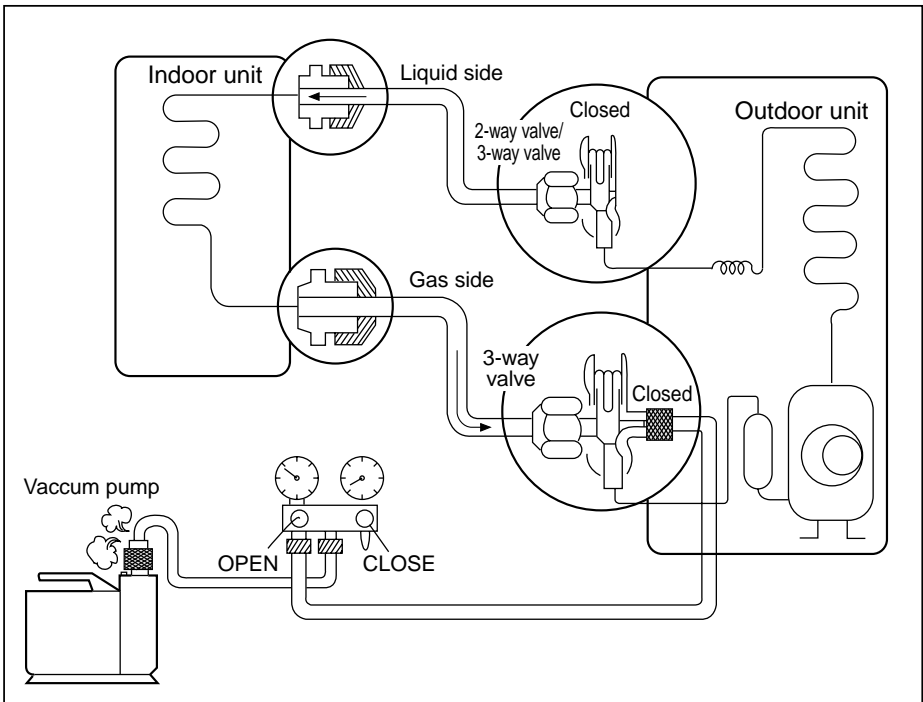
2. **Tape the Pipings and Connecting cable from bottom to top.**
3. **Form the pipings gathered by taping along the exterior wall, and make the trap prevent water from entering into the room.**
4. **Fix the pipings onto the wall by saddle or equivalent.**



7. Air Purging of the Connecting Pipes and the Indoor Unit

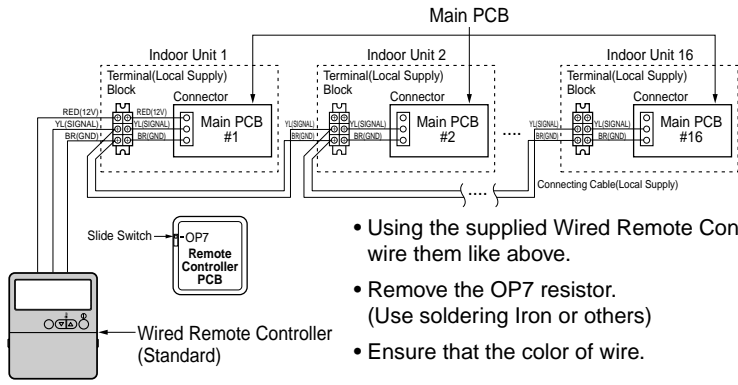
The air which contains moisture remaining in the refrigeration cycle may cause a malfunction on the compressor.

1. Confirm that both the liquid side valve and the gas side valve are set to the closed position.
2. After connecting the piping, check the joints for gas leakage with gas leak detector.
3. Remove the service port nut, and connect the gauge manifold and the vacuum pump to the service port by the charge hose.
4. Vacuum the indoor unit and the connecting pipes until the pressure in them lowers to below -76cmHg.
5. Remove the valve stem nuts, and fully open the stems of the 2-way and 3-way valves with a hexagon wrench.
6. Tighten the valve stem nuts of the 2-way valve and 3-way valve.
7. Disconnect the charge hose and fit the nut to the service port.
(Tightening torque: 1.8kg.m)



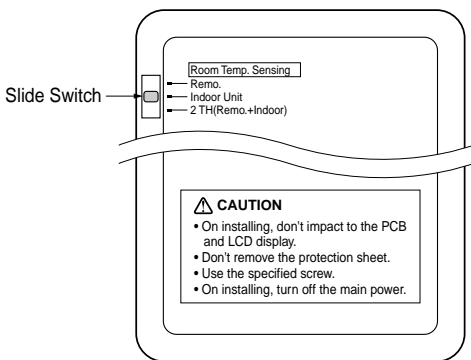
8. Group Control

It operates maximum 16 Units by only one Wired Remote Controller, and each Unit starts sequentially to prevent overcurrent.



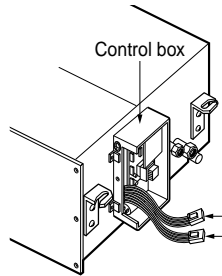
- Using the supplied Wired Remote Controller, wire them like above.
- Remove the OP7 resistor. (Use soldering Iron or others)
- Ensure that the color of wire.

9. Two Thermistor system



- Open the rear cover of Remote Controller to set up the mode.
- Selectable options are three as follows.
 - Remo: Sensing the room Temperature.
 - Indoor Unit: Sensing the intake air into indoor Unit.
 - 2 TH: Sensing the lower temperature of the two thermistors.
- To set up the mode, adjust the slide switch to desired mode position on installing.

10. High-Static Motor Connection (For 60K/48K Model)



- If working condition of indoor unit is higher than that of standard static pressure (10mmAq) change the Indoor Motor wire housing for standard motor housing for higher external static Pressure (15mmAq).
- Wire Color(YL, BK, BL, OR) For Higher E.S.P.(15mmAq)
- Wire Color(BK, BL, RD, OR) For Standard E.S.P.(10mmAq)

11. External Static Pressure & Air Flow

Static Pressure(mm Aq)		0	2	4	6	8	10	15
Model Name	Step	CMM	CMM	CMM	CMM	CMM	CMM	CMM
LB-D1861HL/CL LB-D2461HL/CL	High	25.5	23.5	21.5	18.5	16.5		
	Med	22.5	20.5	18.5	16.5	14		
	Low	17.5	16	14.5	13	12		
LB-F3061HL/CL LB-F3661HL/CL LB-F3681HL/CL LB-F4261HL LB-F4281HL	High	42	40	38	35.5	33.5	31.5	
	Med	39	37	35	33	31	29	
	Low	34	32.5	31	29.5	27	25	
LB-E4881HL/CL LB-E4882CL	High	48.5	46.5	45	43.5	42	40	40
	Med	43	41.5	39.5	38	36.5	35	35
	Low	39	37.5	36	34.5	33	31	30
LB-E6081HL/CL LB-E6082CL	High	56	54	62	50	48.5	46	46
	Med	49.5	48	46	44	42	40	40.5
	Low	43.5	42	40.5	38.5	37	35	33.5

- 1) The above table shows the correlation of External Static Pressure & AIR FLOW.
- 2) Duct work must be designed within the range of on installing the unit.
- 3) Change the wiring diagram referring to page 19 of manual on condition fo High Static Pressure (Static pressure 10mmAq ↑).
- 4) If duct work is designed under External Static Pressure, adjust the External Static Pressure applying air damper.