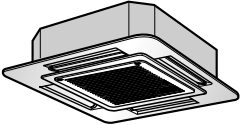
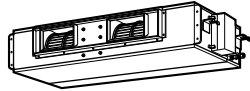
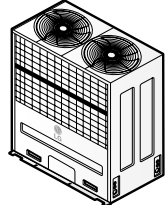
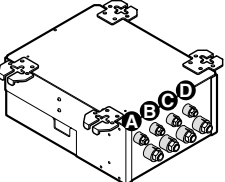
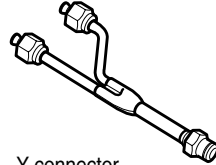

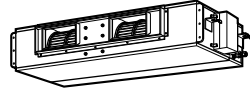
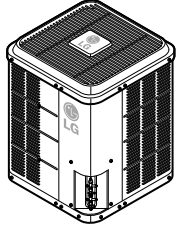
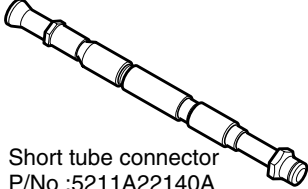


INFORMATION

Case 1. Applied combination table

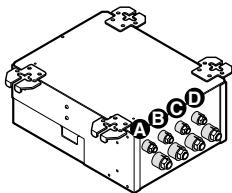
Indoor Unit		Outdoor Unit
Cassette	Ceiling Duct	
LMNH306TFA0	LMNH306BGA0	L8UH1008FA0
LMNH306TFC0		
LMNH366TDA0		
LMNH366TDC0		
LMNC306TFA0	LMNC306BGA0	L8UC1008FA0
LMNC306TFC0		
LMNC366TDA0		
LMNC366TDC0		
		
		
Distributor Unit	Y connector P/No: 5211A23319A	Socket P/No:5162A20011E
<ul style="list-style-type: none"> When piping installation work you must use the Y connector to liquid side piping. 		

Case 2. Applied combination table

Indoor Unit	Outdoor Unit
Ceiling Duct	
LMNC366BGA0	L4UC608FA0
	
 <p>Short tube connector P/No :5211A22140A</p>	
<ul style="list-style-type: none"> When piping installation work you must use the short tube connector to liquid side piping. 	

Connection of Piping and Wiring for 30K, 36K Indoor Unit .

PMBD5440L



Case 1

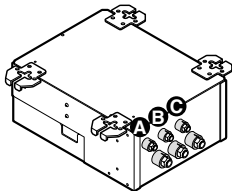
Room	Indoor Unit	Gas side	Liquid side	Wiring
A	30K	use socket	Y connector	A
B	-	-		No use
C	12K	normal	normal	C
D	12K	normal	normal	D

Case 2

Room	Indoor Unit	Gas side	Liquid side	Wiring
A	12K	normal	normal	A
B	12K	normal	normal	B
C	30K	Use socket	Y connector	C
D	-	-		No use

* 30K Indoor Unit wire must connect 'A' or 'C' room.

PMBD5430L



Case 1

Room	Indoor Unit	Gas side	Liquid side	Wiring
A	30K	Use socket	Y connector	A
B	-	-		No use
C	12K	normal	normal	C

Case 2

Room	Indoor Unit	Gas side	Liquid side	Wiring
A	30K	Use socket	Y connector	A
B	-	-		No use
C	18K	normal	normal	C

Case 3

Room	Indoor Unit	Gas side	Liquid side	Wiring
A	30K	Use socket	Y connector	A
B	-	-		No use
C	24K	Use socket	normal	C

Case 4

Room	Indoor Unit	Gas side	Liquid side	Wiring
A	36K	Use socket	Y connector	A
B	-	-		No use
C	12K	normal	normal	C

Case 5

Room	Indoor Unit	Gas side	Liquid side	Wiring
A	36K	Use socket	Y connector	A
B	-	-		No use
C	18K	normal	normal	C

* 30K, 36K Indoor Unit wire must connect 'A' room

* The Socket converts Pipe size Ø12.7 to Ø15.88.