



Built In Cooker

Installation Instructions

LE641152

LE641122

LE641150

LE641120

LE621120

LE621100

Please read the instructions before installing this product.

Caution for safety

All electrical work should be undertaken by a suitable qualified and competent person.

This electrical appliance must be installed according to this instruction in order to avoid damages. Installation, repairs and other work by unqualified persons could be dangerous. The manufacturer cannot be held liable for unauthorised work.

Warning: Ensure power is not supplied to the appliance while installation or repair work is being carried out.

Possible combinations (Oven and Hob)

The LG ovens with integrated hob controls (=cooker or underbench ovens) may only be combined with hobs and their respective control units as specified by LG Electronics for use with that oven. Contact your dealer or the relevant LG Electronics Service Department for further information on suitable combinations.

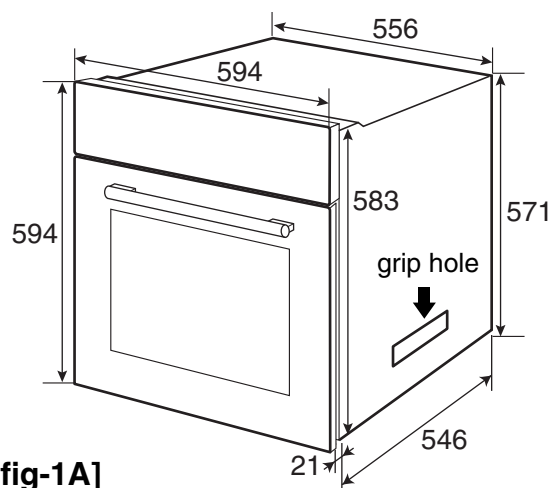
Power supply cord (not supplied)

Contact your dealer/supplier or the relevant LG Electronics Service Department for further information on a suitable power supply cord for the cooker.

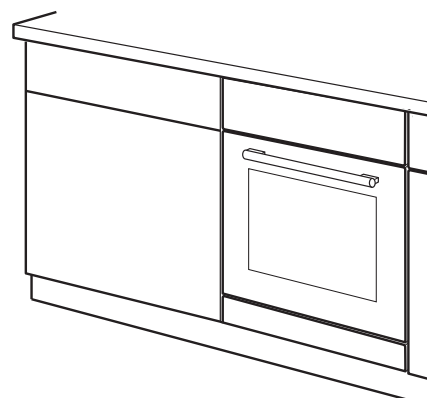
The **voltage and rated load** are given on the data plate, visible when the oven door is open. For connecting the power supply cord, follow the connection diagram (fig-2D).

Important: The yellow-green wire for earth connection (at the appliance) must be minimum 10 mm longer than the other wires

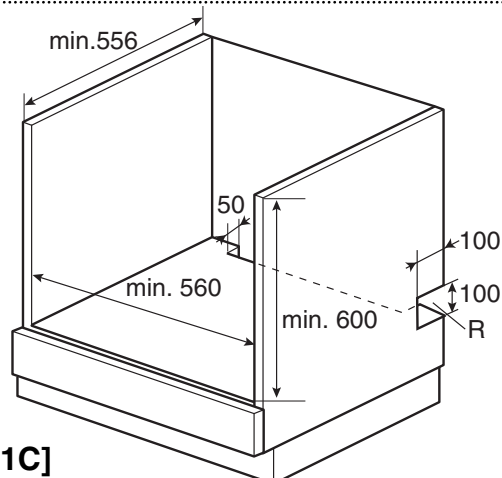
WARNING: THIS APPLIANCE MUST BE EARTHED.



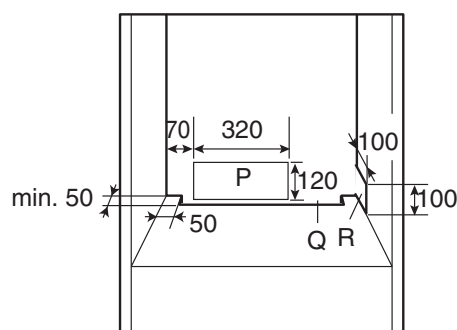
[fig-1A]



[fig-1B]



[fig-1C]



[fig-1D]

Installing the cooker

Warning: Before connecting the appliance to the mains you must disconnect the power supply to the cooker point.

**Warning: The oven must be built in before it can be used.
Otherwise it poses an electric shock hazard.**

Oven dimensions and dimensions of the housing unit (cabinet) are shown in the fig-1A, 1C and 1D.

In accordance with the position of the cooker point (power supply), make a hole "P" in the back wall or a hole "R" in the side wall of the housing unit (cabinet) to pass the connection lead (power supply cord).

Connect the power supply cord with the cooker and the isolator.

Important: See paragraph "**Electrical connection**"

Align the cooker in front of the base unit.

Connect the hob plugs to the socket on the cooker.

Lift the appliance and slide it into the cabinet by using the side holes (fig-1A) and align it.

Important: Do not lift the oven by using the door handle on the front.

Take care, not to kink the power supply cord while pushing the oven into the base unit.

Open the appliance door, and use two screws to secure it to the side walls of the housing unit through the holes in the trim (fig-2B).

Reconnect the power supply to the isolator switch.

Electrical connection

All electrical work should be undertaken by a suitably qualified and competent person in strict accordance with national and local safety regulations.

WARNING: THIS APPLIANCE MUST BE EARTHED

The voltage and rated load are given on the data plate, visible when the oven door is open.

Please ensure that these match the household mains supply.

The oven's components operate at 220-240 V 50 Hz. For connecting the power supply cord, follow the connection diagram (fig-2D).

Connection of this appliance should be made via a suitable isolator, which complies with national and local regulations, and which is accessible after the appliance has been built in.

If the socket is not accessible after installation (depending on country) an additional means of disconnection must be provided for all poles.

When switched off there must be an all-pole contact gap of 3 mm in the isolator switch (including switch, fuses and relays acc. to EN 60 335).

For extra safety it is advisable to install a residual current device with a trip current of 30 mA (in accordance with DIN VDE 0664, VDE 0100 Section 739).

Requirements for Ventilation

**Important: The oven must be built in before it can be used.
Do not fit insulation material inside housing unit.
This would hinder the intake of air to the appliance.**

To ensure adequate ventilation to the oven once installed:

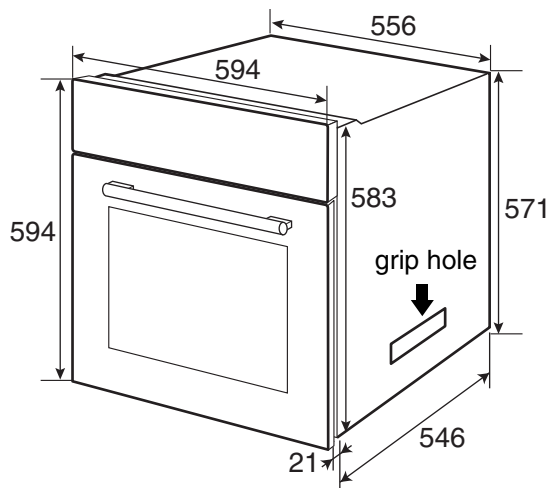
- provide a ventilation opening (cut-out) of 50 mm between the back wall and the floor of the housing unit/cabinet (see "Q" fig-1D),
- a ventilation gap of 5 mm is required between the oven top rim and the hob lower rim and
- a ventilation gap of 5 mm is required between both oven side rims and the cabinet (see fig-2B).

Important: All ventilation openings (intake and outtake) must not be closed at any time when operating the oven.

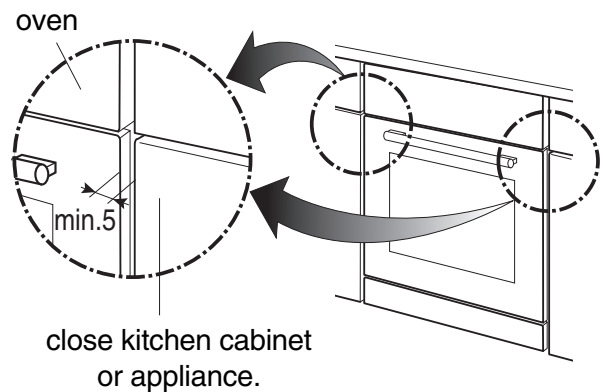
Requirements for the housing unit / cabinet

The requirements for the heat resistance of the material used for housing unit / cabinet are as follows:

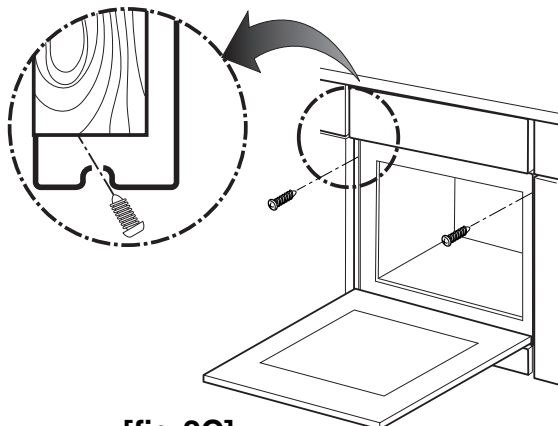
- heat resistance / Corpus : 90 °C
- heat resistance / Front : 70 °C



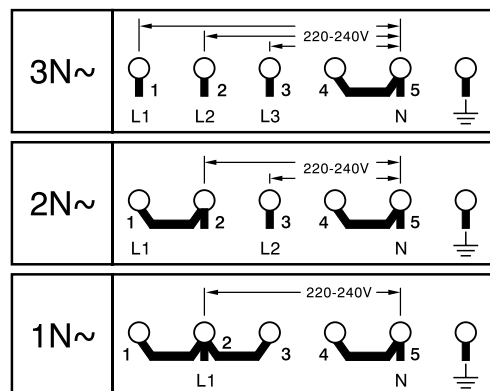
[fig-2A]



[fig-2B]



[fig-2C]



[fig-2D]

Memo

Memo

Memo

