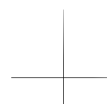
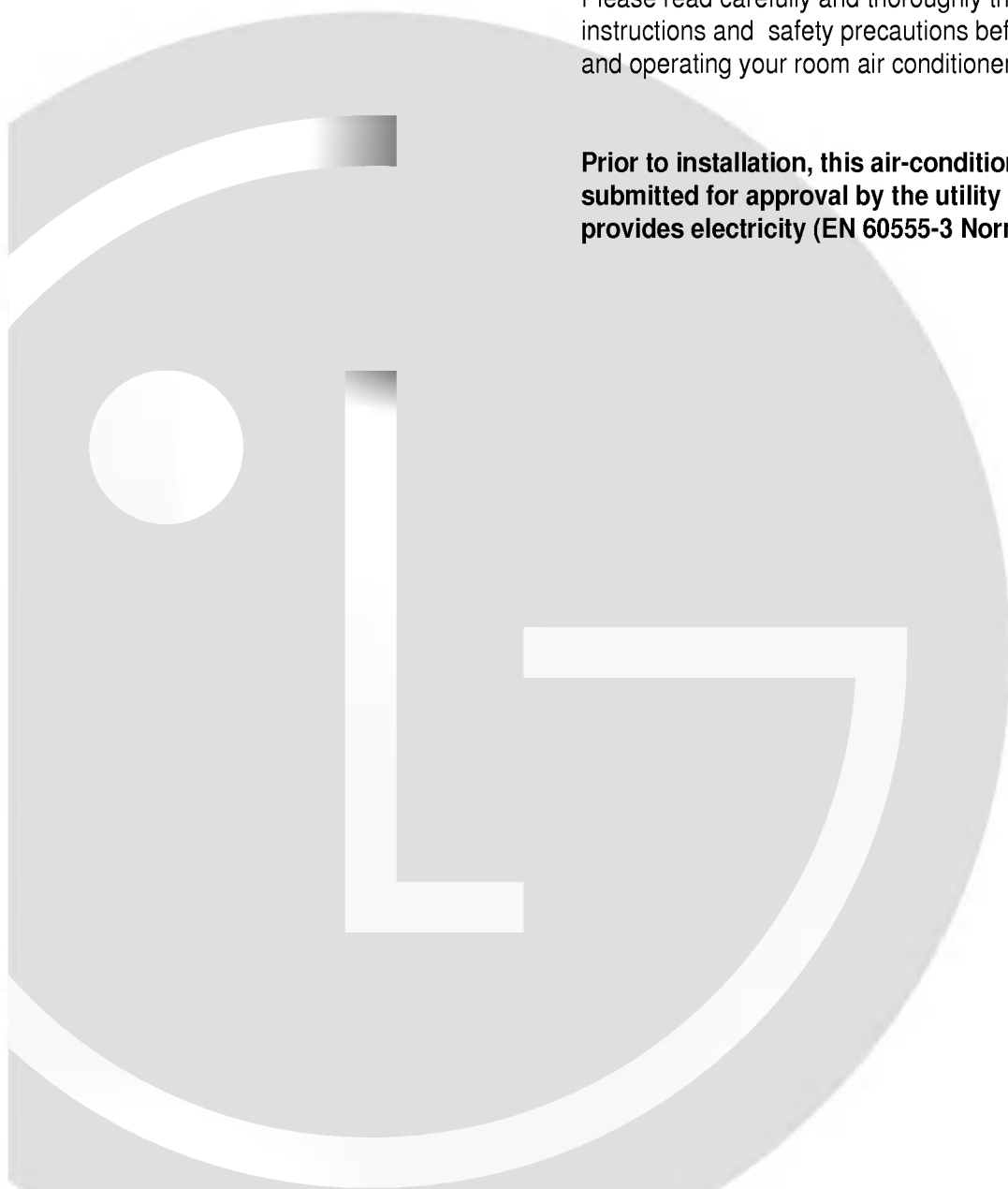




Room Air Conditioner **OWNER'S MANUAL**

Please read carefully and thoroughly the operating instructions and safety precautions before installing and operating your room air conditioner.

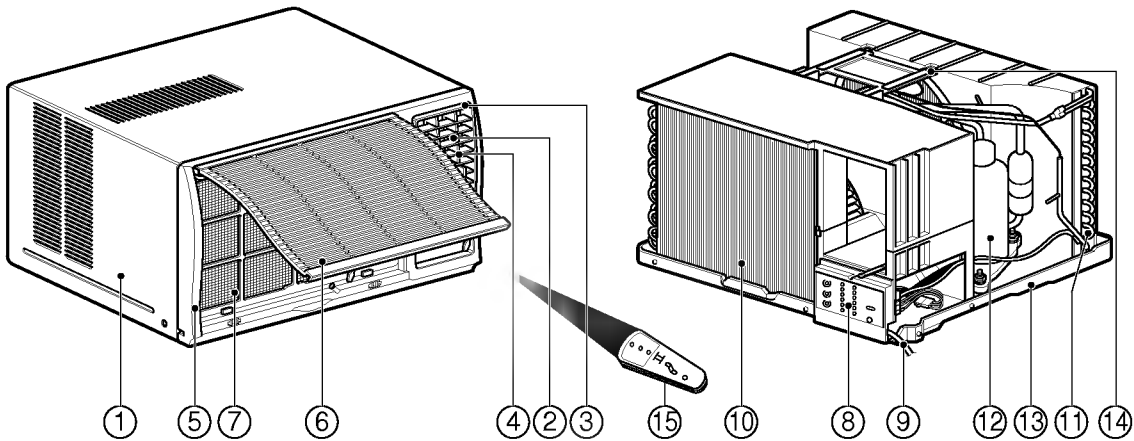
Prior to installation, this air-conditioning unit must be submitted for approval by the utility service which provides electricity (EN 60555-3 Norm).



CONTENS

FEATURES	2
HOW TO OPERATE	3
TO CONTROL AIR DIRECTION.....	5
CARE AND MAINTENANCE	6
PLEASE CHECK BEFORE SERVICE CALL.....	7

FEATURES



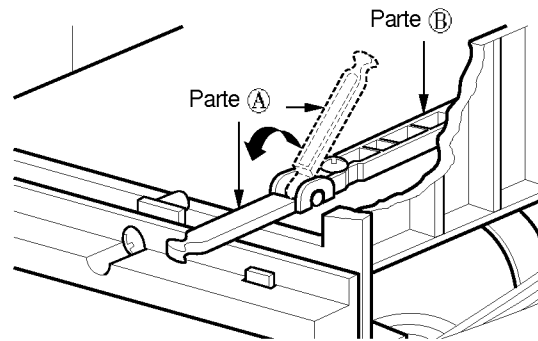
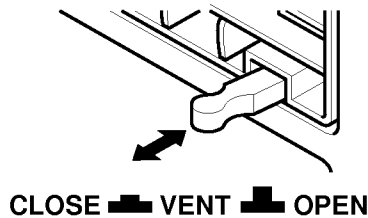
- | | |
|--|-----------------------|
| 1. CABINET | 17. AIR FILTER |
| 2. HORIZONTAL AIR DEFLECTOR
(VERTICAL LOUVER) | 18. CONTROL BOARD |
| 3. VERTICAL AIR DEFLECTOR
(HRIZONTAL LOUVER) | 19. POWER CORD |
| 4. AIR DISCHARGE | 10. EVAPORATOR |
| 5. FRONT GRILLE | 11. CONDENSER |
| 6. AIR INTAKE
(INLET GRILLE) | 12. COMPRESSOR |
| | 13. BASE PAN |
| | 14. BRACE |
| | 15. REMOTE CONTROLLER |

HOW TO OPERATE

• VENTILATION

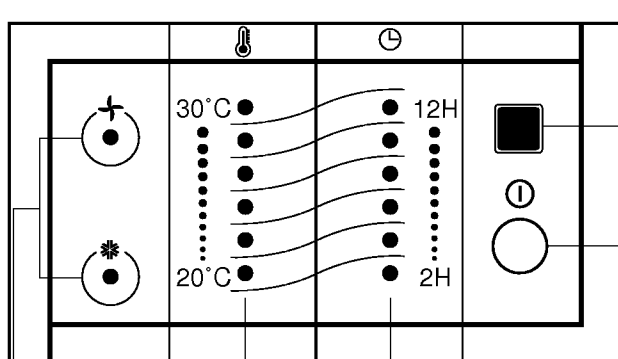
The ventilation lever must be in the CLOSE position in order to maintain the best cooling conditions. When fresh air is necessary in the room, set the ventilation lever to the OPEN position.

The damper is opened and room air is exhausted.



NOTE: Before using the ventilation feature, make the lever, as shown. First, pull down part (A) to horizontal line with part (B).

• DISPLAY



• SIGNAL RECEPTOR

• OPERATION SWITCH

When you cannot using Remote Controller, push this button.

When you first turn on, the set is on the High cool mode and the Temp. 22°C. When you push this button again, the set is OFF.

• DISPLAY COOL/FAN

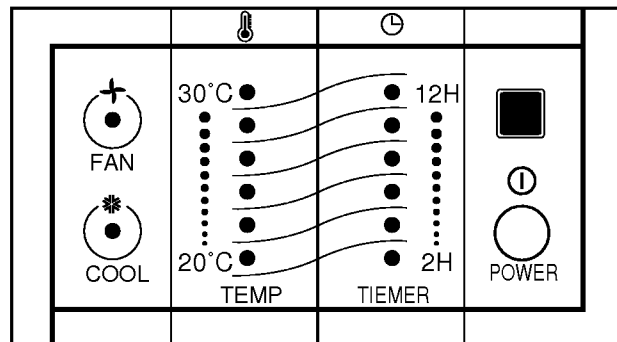
It indicates COOL/FAN

• TEMPERATURE SETTING LAMP.

You can regulate room temperature at your most comfortable degrees by turns.

• TIMER

It displays the operating of timer.

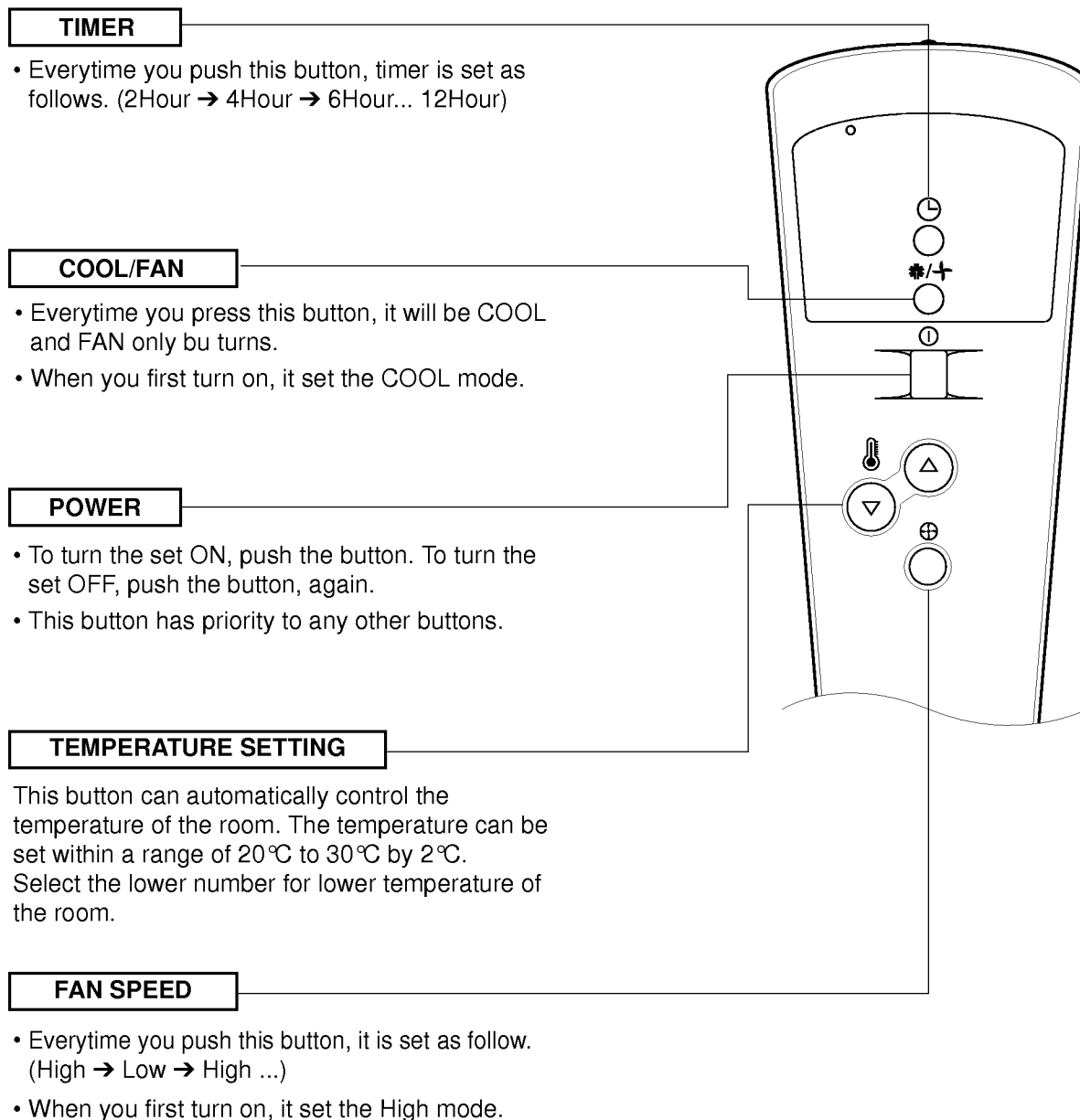


• CAUTION

When the air conditioner has been performing its cooling operation and is turned off or set to the fan position, wait at least 3 minutes before resetting to the cooling operation again.

• REMOTE CONTROL

Precaution: The Remote Control unit will not function properly if strong light strikes the sensor window of the air conditioner or if there are obstacles between the Remote Control unit and the air conditioner.



TIMER

- Everytime you push this button, timer is set as follows. (2Hour → 4Hour → 6Hour... 12Hour)

COOL/FAN

- Everytime you press this button, it will be COOL and FAN only bu turns.
- When you first turn on, it set the COOL mode.

POWER

- To turn the set ON, push the button. To turn the set OFF, push the button, again.
- This button has priority to any other buttons.

TEMPERATURE SETTING

This button can automatically control the temperature of the room. The temperature can be set within a range of 20°C to 30°C by 2°C. Select the lower number for lower temperature of the room.

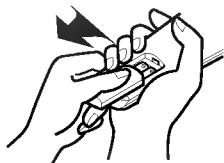
FAN SPEED

- Everytime you push this button, it is set as follow. (High → Low → High ...)
- When you first turn on, it set the High mode.

• HOW TO INSERT BATTERIES

1 Remove the cover from the back of the remote controller.

- Slide the cover according to the arrow direction.



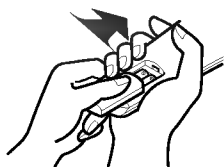
2 Insert the two batteries.

- Be sure that the (+) and (-) directions are correct.
- Be sure that both batteries are new.



3 Re-attach the cover.

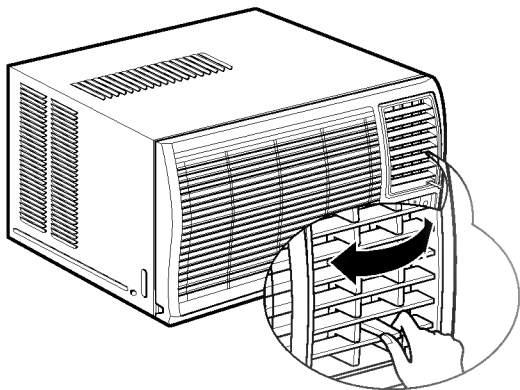
- Slide it back into position.



- Do not use rechargeable batteries such as batteries differ from standard dry cells in shape, dimensions, and performance.
- Remove the batteries from the remote controller if the air conditioner is not going to be used for an extended length of time.

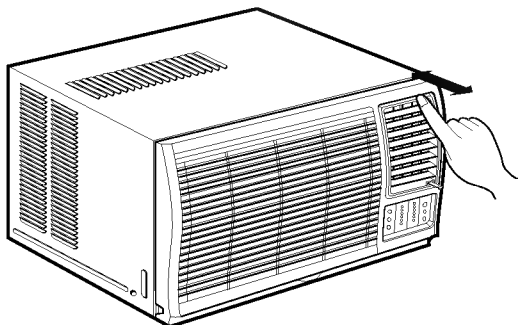
TO CONTROL AIR DIRECTION

The direction of air can be controlled wherever you want to cool by adjusting the horizontal louver and the vertical louver.



• **HORIZONTAL AIR-DIRECTION CONTROL**

The horizontal air direction is adjusted by rotating the vertical louver right or left.

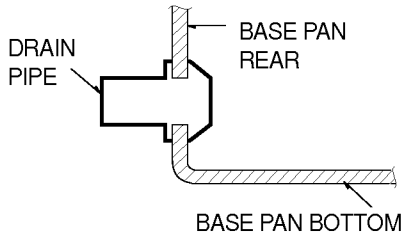


• **VERTICAL AIR-DIRECTION CONTROL**

The vertical air direction is adjusted by rotating the horizontal louver toward or backward.

CARE AND MAINTENANCE

• HOW TO USE TRAIN



First, be sure to insert the drain pipe into base pan before installation.

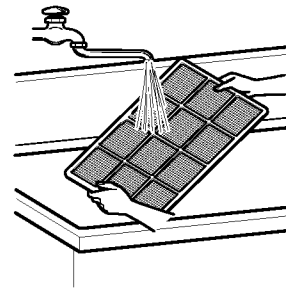
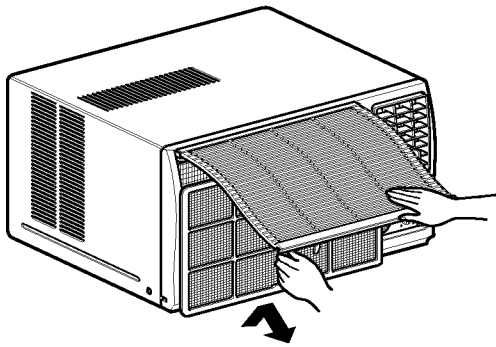
The air conditioner must be installed with a slight tilt to the outside for proper water drainage.

Generally the air conditioner may drain condensation through the drain pipe.(See description)

• AIR FILTER CLEANING

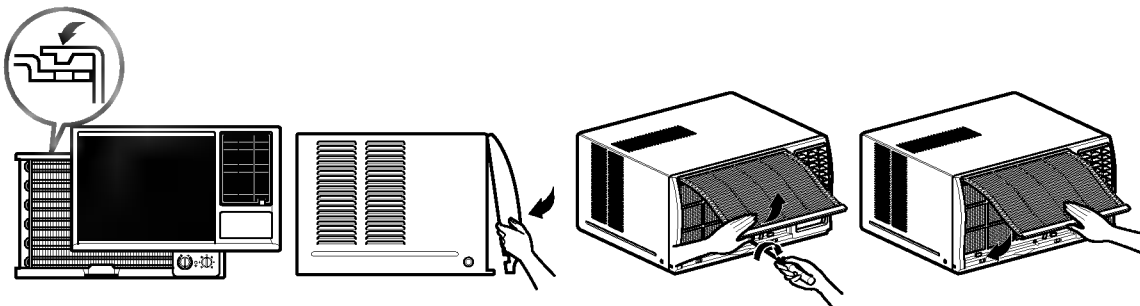
The air filter should be checked at least twice a month to see if cleaning is necessary. Trapped particles in the filter will build up and block the airflow. This reduces the cooling capacity and also causes an accumulation of frost on the cooling coils.

1. Open the inlet grille upward by pulling out the bottom of the inlet grille.
2. Remove the air filter from the front grille assembly by pulling the air filter up slightly.
3. Wash the filter using lukewarm water below 40°C(104°F)
4. Gently shake the excess water from the filter completely. Replace the filter.



• HOW TO COMBINE FRONT GRILLE WITH CABINET

1. Pull down front grille from the cabinet top.
2. Push front grille's tips toward the cabinet in order to insert front grille's tabs into the cabinet.
3. Open the inlet grille.
4. Tighten the screw, which was used for fastening the cabinet's back, through the front grille into the base pan.
5. Close inlet grille.



PLEASE CHECK BEFORE SERVICE CALL

When you find something wrong with your room air conditioner, please check carefully referring to the following items. If you can't find out the causes of trouble, get into contact with your dealer.

A. WHEN THE AIR CONDITIONER CANNOT OPERATE;

1. Is the air conditioner plugged into the receptacle properly?
2. Is the unit connected to a live receptacle supplying the proper voltage?
3. Is the fuse blown or is the automatic circuit breaker off?
4. Is there a local power failure?
5. Has the air conditioner been accidentally switched off?
6. Is the circuit overloaded by other devices on the same line?
7. 1) At coling condition:
Is the thermostat set too high temperature compared with the temperature of indoor?
2) At heating condition:
Is the thermostat set too low temperature compared with the temperature of indoor?
8. If an extension cord is used, is the wire diameter large enough to carry the current?

B. AIR CONDITIONER RUNS, BUT DOES NOT COOL OR WARM SUFFICIENTLY;

1. Is the operation switch set properly?
2. Is the thermostat control set properly to provide the desired temperature?
3. Are there too many people than the usual number in the room?
4. Is the air circulation impeded by drapes, furniture, etc, or by an improper vane setting?
5. Are the doors or windows open, or is there an unusual heat source in the room?
6. Is the ventilation damper closed for maximum cooling or heating?
7. Is the air filter clean so that it will not obstruct the air flow?
8. Have all the steps outlined in the Installation Instructions been followed?

MEMO

MEMO

