



# MICROWAVE OVEN

## OWNER'S MANUAL

PLEASE READ THIS OWNER'S MANUAL  
THOROUGHLY BEFORE OPERATING.

### Table of Contents

Safety Instructions .....	2
Features Diagram .....	2
Installation/ Technical Specifications.....	3
Operating Check .....	4
Operating Procedure .....	4
Microwave Power Levels .....	4
Cooking Utensils .....	5
Cleaning and Care .....	5
Precautions .....	6
Questions and Answers .....	7

**MS-1903D**

## Safety Instructions

### PRECAUTIONS TO AVOID POSSIBLE EXPOSURE TO EXCESSIVE MICROWAVE ENERGY

Do not attempt to operate the oven with the door open since open door operation can result in harmful exposure to microwave energy. It is important not to tamper with the safety interlocks.

Do not place any object between the oven front face and the door or allow dirt or cleaner residue to accumulate on sealing surfaces.

Do not operate the oven if it is damaged. It is particularly important that the oven door closes properly and that there is no damage to the: (1) door (bent) (2) hinges and latches (broken or loosened), (3) door seals and sealing surfaces.

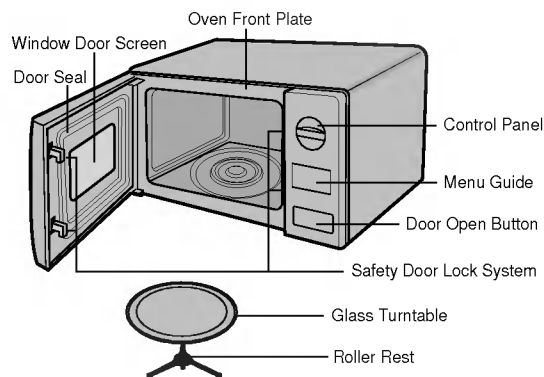
The oven should not be adjusted or repaired by anyone except properly qualified service personnel.

### Warning

When liquids, e.g. soups, sauces and beverages are cooked in microwave units, they may be overheated above their boiling point without visible bubbling. When the container is removed, the shock may cause the sudden formation of steam bubbles. A fountain of hot liquid can spring up out of the container explosively.

1. Avoid using straight sided containers with narrow necks.
2. Do not overheat.
3. Stir the liquid before placing the container in the oven and again halfway through the heating time.
4. After heating, allow to stand in the oven for a short time, stir or shake them again carefully and check the temperature of them before consumption to avoid burns (especially, contents of feeding bottles and baby food jars).
5. Only allow children to use the oven without supervision when adequate instructions have been given so that the child is able to use the oven in a safe way and understands the hazards of improper use.

## Features Diagram



Remove your oven and all material from the shipping carton. Your oven will be packed with the following material:

- |                       |        |
|-----------------------|--------|
| Glass turntable ..... | 1 Each |
| Roller rest .....     | 1 Each |
| Owner's manual ....   | 1 Each |

**This microwave oven is designed for household use only. It is not recommended for commercial purposes.**

## Installation

Install your oven by following three simple steps:

1. Remove all packing materials and accessories.
2. Place the oven in the level location of your choice but make sure there is at least 10 cm of space on the top and at the rear for proper ventilation. The side of the oven ventilation.

An exhaust outlet is located on top or side of the oven. Blocking the outlet can damage the oven.

3. Plug your oven into a standard household outlet. Be sure the electrical circuit is at least 10 amps and that your microwave oven is the only appliance on the circuit.

**NOTE • If your oven does not operate properly, unplug it from the household outlet and then plug it back in.**

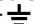
- **This appliance should not be used for commercial catering purposes.**

The wires in this mains lead are coloured in accordance with the following codes  
 BLUE ~ Neutral  
 BROWN ~ Live  
 GREEN & YELLOW ~ Earth

As the colors of the wires in the mains lead of this appliance may not correspond with the coloured markings on the terminals in your plug proceed as follows:

The wire which is coloured BLUE must be connected to the terminal which is marked with the letter N or Coloured BLACK.

The wire which is coloured BROWN must be connected to the terminal which is marked with the letter L or coloured RED.

The wire which is coloured GREEN & YELLOW or GREEN must be connected to the terminal which is marked with the letter E or 

If the supply cord is damaged, it must be replaced by the manufacturer or its service agent or a similarly qualified person in order to avoid a hazard.

## Technical Specifications

	<b>MS-1903D</b>
Power Input	230 V AC, 50 Hz
Output ( IEC 705 RATING STANDARD )	600 Watts
Microwave Frequency	2450 MHz
Outside Dimensions ( WXHXD mm )	483 X 285 X 334
Power Consumption	950 Watts

- Dimensions shown are approximate.
- Because we continually strive to improve our products we may change specifications without prior notice.

## Operating Check

After unpacking this appliance, examine the new oven for evidence of shipping damage. This is most important since a damaged oven may allow the escape of microwave energy. Make sure you remove all packing from the microwave cavity. Check the oven operation when unpacking the unit and any time the oven is not working properly.

1. Plug the power cord into an earthed electrical socket.
2. Place the turntable inside the oven cavity.

3. Place a cup of water (at room temperature) inside the oven, on the turntable.
4. Close the door securely.
5. Set the Timer for 3 to 4 minutes (note: the oven lamp turns ON and microwave activity starts).
6. When the cooking time has elapsed, the signal will sound (note: the oven lamp turns off and all microwave activity stops).
7. If the oven is operating normally the water will be hot.

## Operating Procedure

This microwave oven is designed to be simple and easy to operate. Please follow these instructions carefully.

1. Place the food in a suitable cooking utensil.

Open the microwave oven door and place the utensil in the centre of the oven on the turntable.

2. Close the oven door.
3. Turn the TIMER KNOB clockwise to set the cooking time.

**NOTE** The oven starts cooking as soon as the timer knob is turned. Each number represents minutes. To ensure accurate timing, it is advisable to turn the timer knob slightly passed the desired cooking time and then back to the proposed setting.

4. When the TIMER reaches **0(zero)** the signal sounds and the oven will automatically shut off.
5. Open the door and remove the food from the oven.
6. To stop cooking before the timer reaches zero, either open the door or simply turn the timer to zero.

**NOTE** The door can be opened during the cooking process by pushing the Door open button. The timer will stop and the microwave activity will cease. When the door is closed cooking will resume until the full cooking time has elapsed. After cooking has finished, the timer will be at zero.

## Microwave Power Levels

<b>max</b>	<ul style="list-style-type: none"> <li>• Boil water.</li> <li>• Brown minced beef.</li> <li>• Cook fresh fruits &amp; vegetables.</li> <li>• Cook fish, meat &amp; poultry.</li> <li>• Preheat browning dish.</li> </ul>
------------	--

## Cooking Utensils

Most glass, glass ceramic and heat resistant glassware utensils are excellent. Those with metallic trim must not be used in microwave oven.

Any utensil used for microwave cooking must be capable of withstanding very high temperatures, from the food. There are many heat resisting utensils, of paper or plastic, available which can be used in both microwave and conventional ovens.

Many traditional cooking utensils are, of course, perfectly satisfactory. To find out whether pottery, stoneware or porcelain items

(cooking utensils and serving dishes, etc.) are safe, check them in the oven. Place the empty container in the oven and turn on the power for one minute. Place the utensil in question next to a glass measure filled with water in the microwave oven. If the container becomes very hot (be careful not to burn your fingers) it is not suitable.

Metal containers and deep trays are not suitable. They reflect energy away from the food. Foil lined cartons are similarly, unsuitable.

## Cleaning and Care

**BE SURE THE OVEN IS TURNED OFF BEFORE CLEANING.**

Keep the oven interior surfaces clean and dry. As a general rule, clean the oven every day, unless it has not been used.

### INTERIOR WALLS

Remove any crumbs and food remains between the door and oven using a damp cloth. This area has to be particularly well cleaned to ensure the door will shut properly. Remove any grease splashes with a soapy cloth, then rinse and dry. Do not use any cleaning cloth or pad, or cleaning agent that is abrasive because this could scratch and damage the painted surface of the oven.  
**NEVER POUR WATER INTO THE OVEN.**

### ROLLER REST

The rotating ring should be removed and cleaned in hot soapy water at least once a week to prevent grease restricting the rotation of the wheels.

### DOOR

The door and door seals should be kept clean. Use only warm, soapy water to rinse then dry thoroughly.  
**DO NOT USE ABRASIVE MATERIALS, SUCH AS CLEANING POWDERS OR STEEL AND PLASTIC PADS.**  
Metal parts will be easier to maintain if wiped frequently with a damp cloth.

### EXTERIOR

The outer cabinet is painted metal. Clean with mild soap and warm water, rinse and dry with a soft cloth. Do not spill water in the vents. If the power lead becomes soiled wipe it with a damp cloth. **ALWAYS ENSURE THAT THE DOOR SEALING SURFACES ARE CLEAN.**

## Precautions

- Do not attempt to tamper with, make any adjustments or repairs to the door, control panel, safety interlock switches or any other part of the oven. Repairs should only be undertaken by a qualified service technician.
- Do not operate the oven when empty. It is best to leave a glass of water in the oven when not in use. The water will safely absorb all microwave energy, if the oven is accidentally started.
- Do not dry clothes in the microwave oven, which may become carbonized or burned if heated too long.
- Do not cook food wrapped in paper towels, unless your cook book contains instructions, for the food you are cooking.
- Do not use newspaper in place of paper towels for cooking.
- Do not use wooden containers. They may heat-up and char. Do not use metal containers or crockery containers which have metallic (e.g. gold or silver) inlays. Always remove metal twist ties. Metal objects in the oven may arc, which can cause serious damage.
- Do not use recycled paper products since they may contain impurities which may cause sparks and/ or fires when used in cooking.
- Do not rinse the turntable by placing it in water just after cooking. This may cause breakage or damage.
- Small amounts of food require shorter cooking or heating time. If normal times are allowed they may overheat and burn.
- Be certain to place the oven so the front of the door is 8cm or more behind the edge of the surface on which it is placed, to avoid accidental tipping of the appliance.
- Before cooking, pierce the skin of potatoes, apples or any such fruit or vegetable.
- Do not cook eggs in their shell. Pressure will build up inside the egg which will burst.
- Do not attempt deep fat frying in your oven.
- Remove the plastic wrapping from food before cooking or defrosting. Note though that in some cases food should be covered with plastic film, for heating or cooking, as detailed in microwave cook books.
- If smoke is observed keep the oven door closed and switch off or disconnect the oven from the power supply.
- When food is heated or cooked in disposable containers of plastic, paper or other combustible materials look at the oven frequently to check if the food container is deteriorating.
- If the oven door is damaged, the oven must not be operated until it has been repaired by a qualified service technician.

Q.What's wrong when the oven light will not glow?

A.

